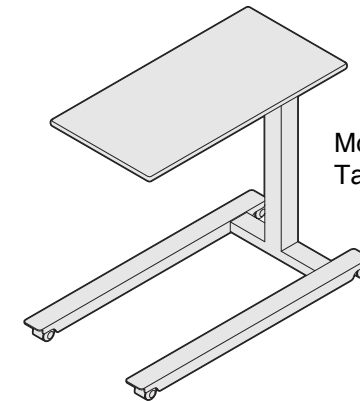
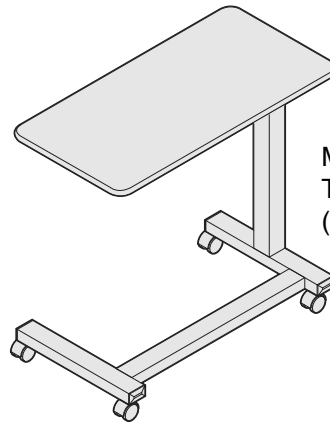


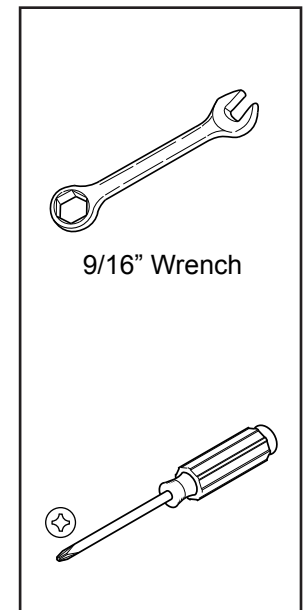
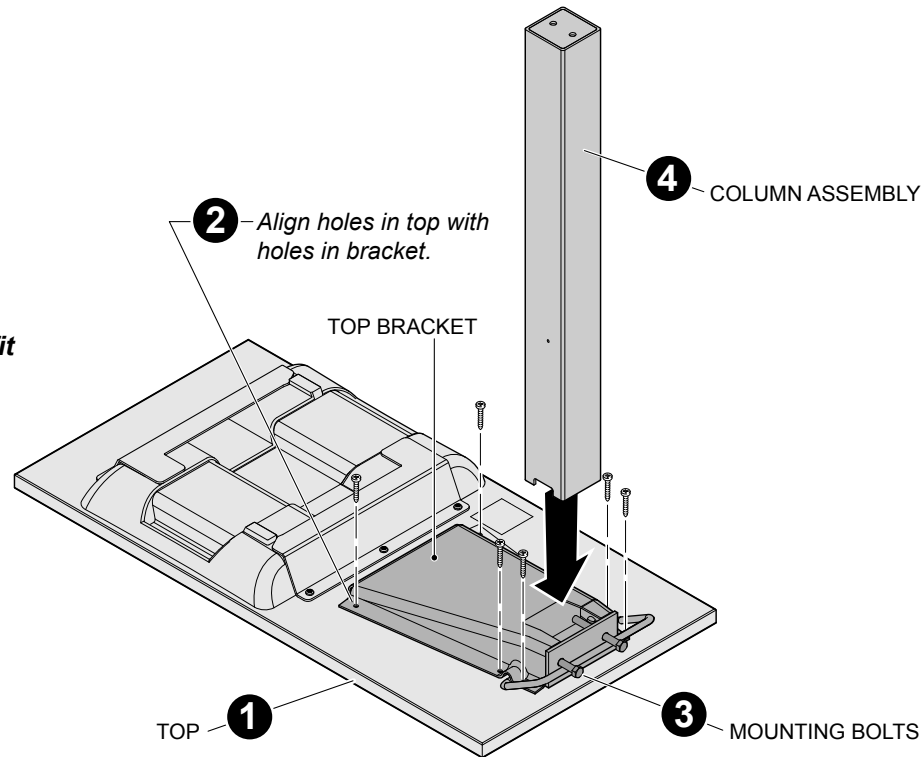
⚠ CAUTION

*Assembly is spring loaded.
Read directions carefully before proceeding.*



ASSEMBLY INSTRUCTIONS

1. Carefully lay top face down onto clean, soft surface.
2. Lay Top Bracket and Trip Handle on top as shown, align holes, then secure with (6) wood screws.
3. Loosely attach Back Mounting Plate to Top Bracket with 3/8"-16 x 3-1/4" mounting bolts.
4. Insert the Column Assembly with the screw facing inward, as shown. **IMPORTANT: the embossed dimples on the back mounting plate and the top bracket must fit into the mating at the end of the outer column.** Tighten the bolts with a 9/16" wrench to 18 ft-lbs.



If you have a problem, question, or request, call your local dealer, or Steelcase Line 1 at **888.STEELCASE** (888.783.3522) for immediate action by people who want to help you.

(Outside the U.S.A., Canada, Mexico, Puerto Rico, and the U.S. Virgin Islands, call: 1.616.247.2500) Or visit our website: www.steelcase.com

© 2014 Steelcase Inc.
Grand Rapids, MI 49501
U.S.A.

Printed in U.S.A.

5. Carefully install (4) Casters into the Base Assembly.

6. Insert (2) bolts through the Bolt Plate, and then through the Base Assembly as shown. Align the bolts with the holes in the bottom of the inner column and tighten with 9/16" wrench to 18 ft-lbs.

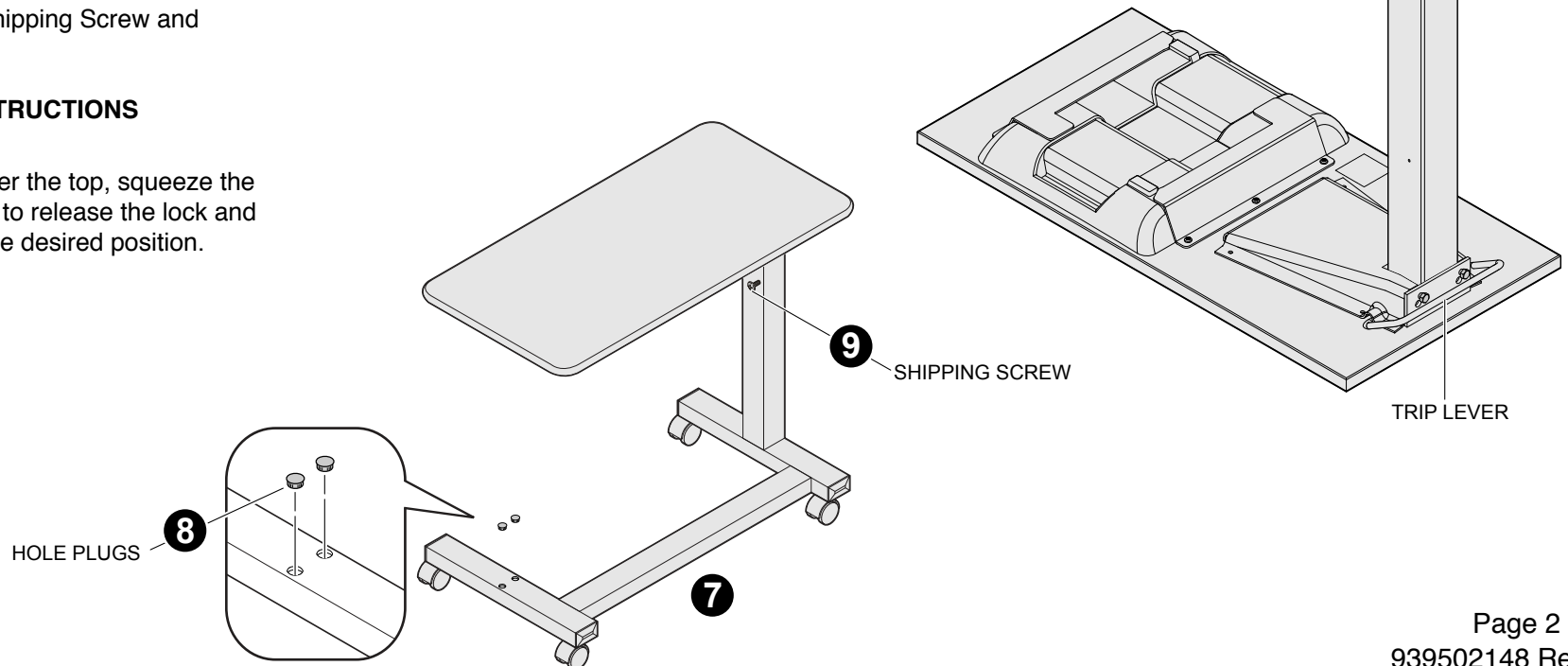
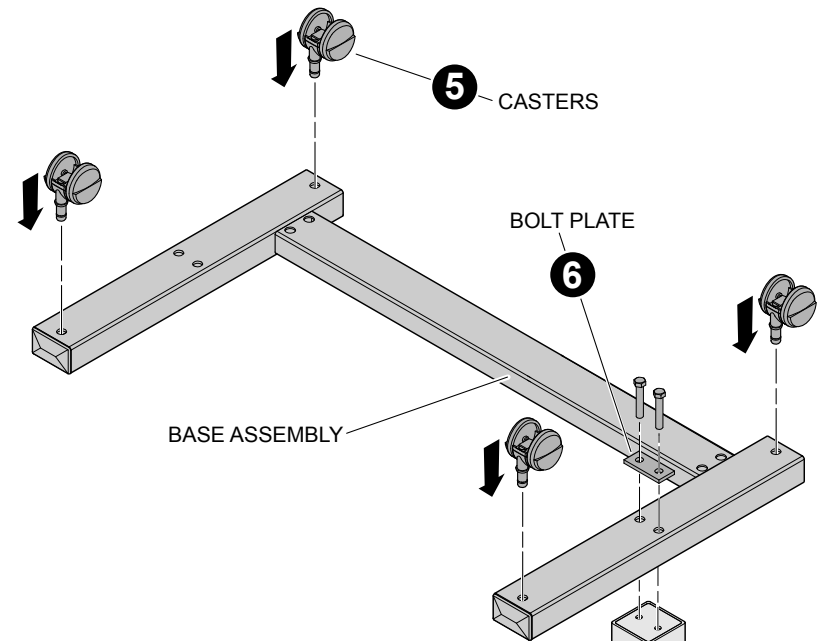
7. Place the complete table upright on the casters.

8. Install (2) Hole Plugs into the base leg opposite the column.

9. Remove the Shipping Screw and discard.

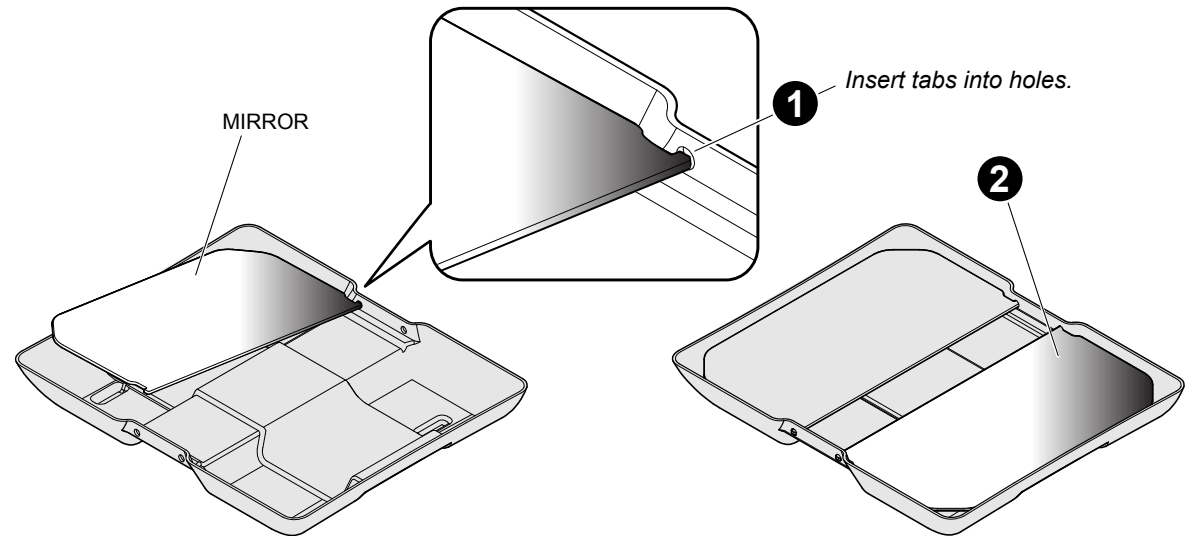
OPERATING INSTRUCTIONS

1. To raise or lower the top, squeeze the Trip Lever upward to release the lock and adjust the top to the desired position.



OPTIONAL VANITY TRAY ASSEMBLY INSTRUCTIONS

1. Insert mirror tab into hole on tray as shown.
2. Flex mirror and insert opposite mirror tab into the opposite tray hole.
3. Repeat steps 1 and 2 for the other mirror.
4. Position the Vanity Tray upside down on the bottom side of the top.
5. Line holes in Vanity Tray Guides up with pilot holes in the top.



6. Secure the Vanity Tray Guides to the worksurface with (6) wood screws.

