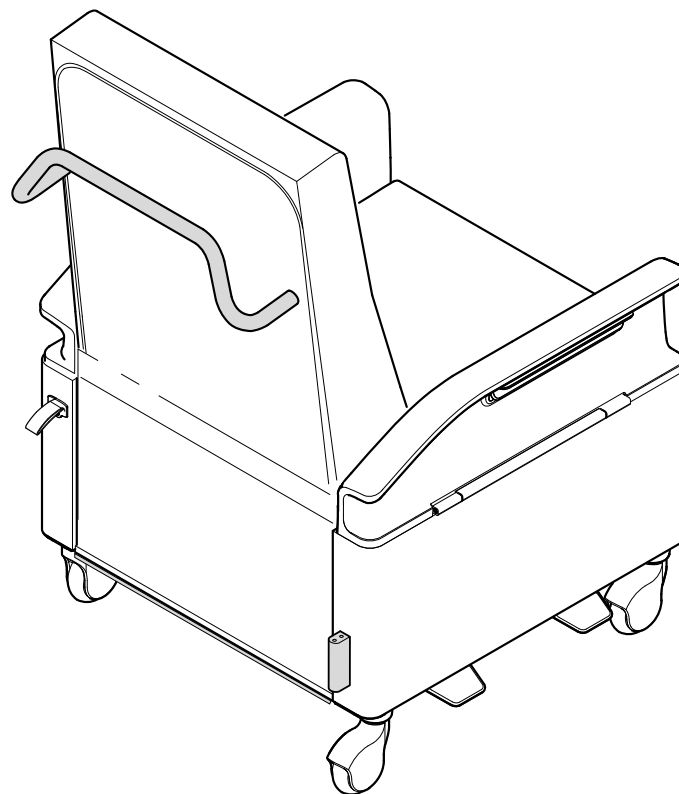


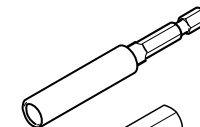
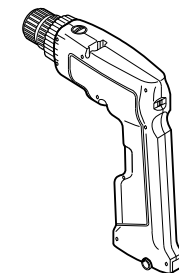
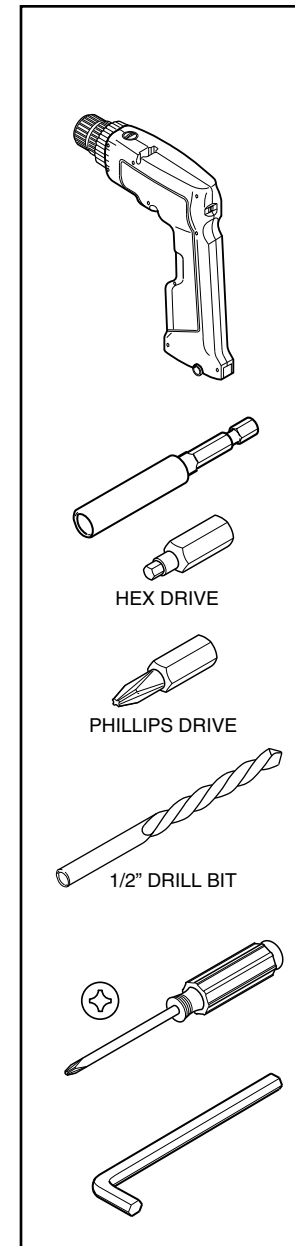
Customer Service for Drainage Bag, IV Pole & Push Bar on Empath™ Recliner



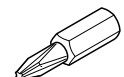
If you have a problem, question, or request, call your local dealer, or Steelcase Line 1 at **888.STEELCASE** (888.783.3522) for immediate action by people who want to help you.

(Outside the U.S.A., Canada, Mexico, Puerto Rico, and the U.S. Virgin Islands, call: 1.616.247.2500)
Or visit our website: www.steelcase.com

© 2014 Steelcase Inc.
Grand Rapids, MI 49501
U.S.A.
Printed in U.S.A.



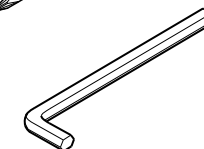
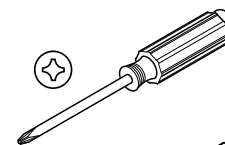
HEX DRIVE



PHILLIPS DRIVE



1/2" DRILL BIT

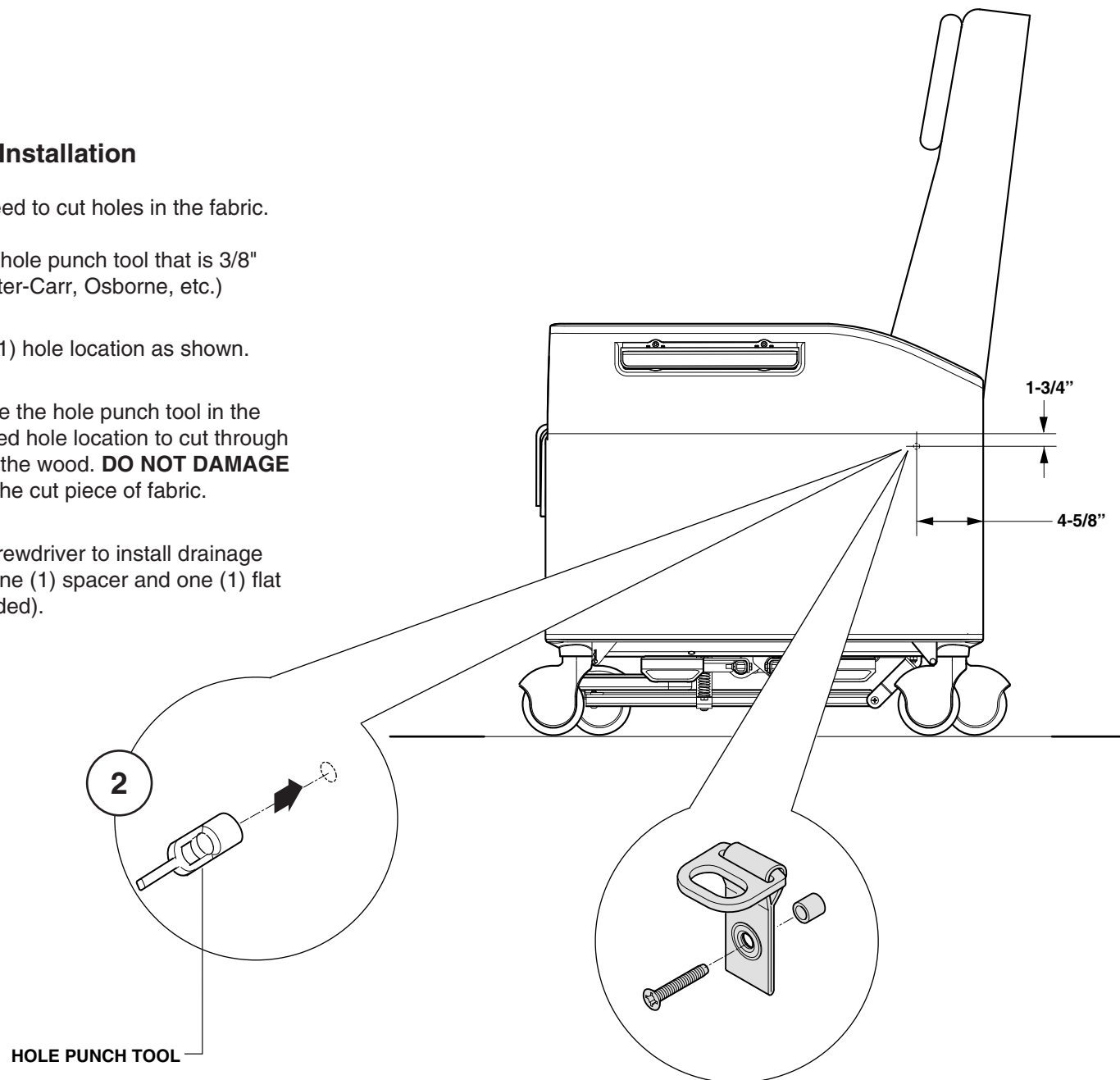


Drainage Bag Installation

NOTE: You will need to cut holes in the fabric.

We recommend a hole punch tool that is 3/8" diameter. (McMaster-Carr, Osborne, etc.)

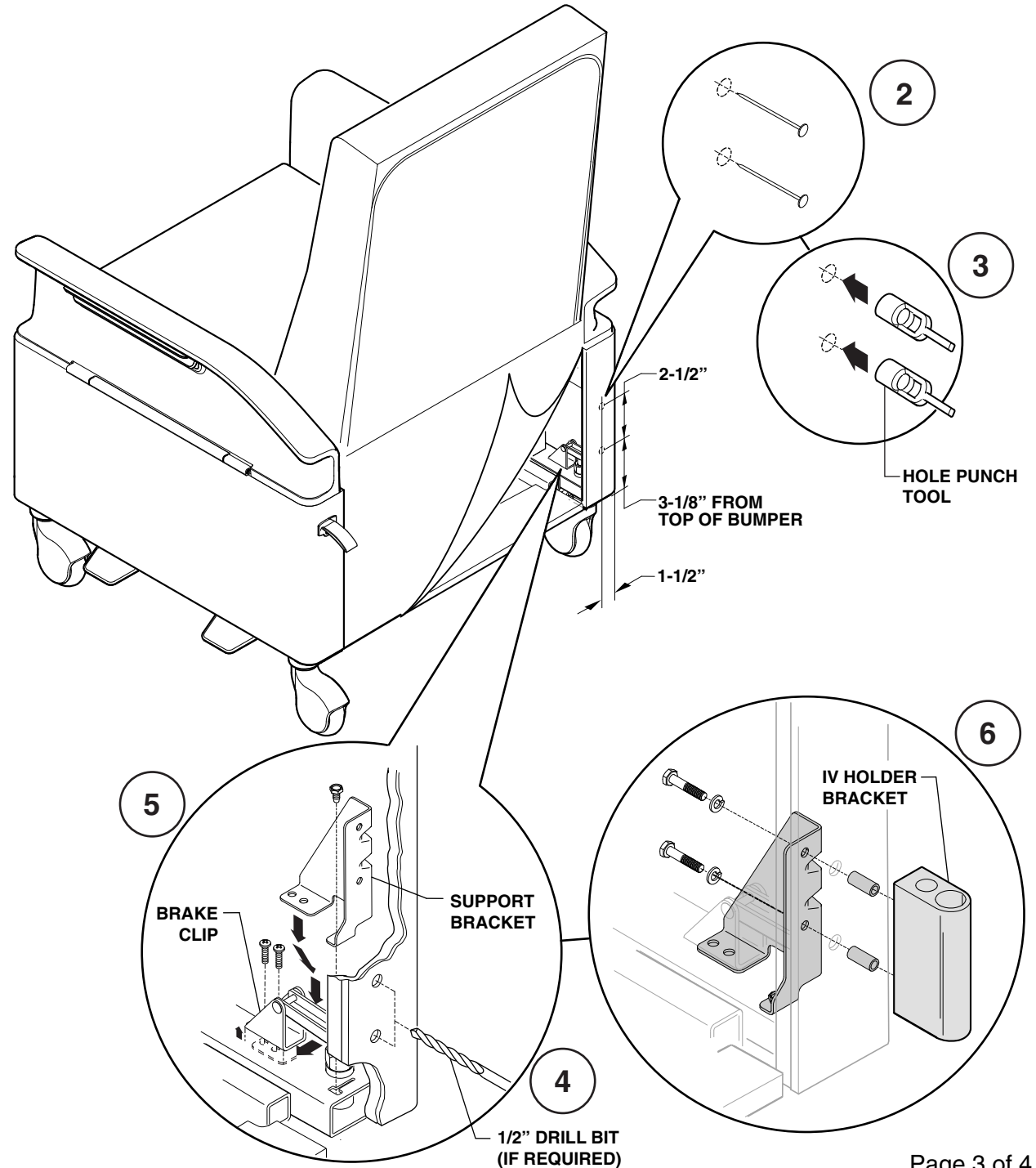
1. Mark the one (1) hole location as shown.
2. Push and rotate the hole punch tool in the center of the verified hole location to cut through the fabric down to the wood. **DO NOT DAMAGE WOOD!** Remove the cut piece of fabric.
3. Use phillips screwdriver to install drainage bag bracket with one (1) spacer and one (1) flat head screw (provided).



IV Pole Installation

NOTE: You will need to cut the holes in the fabric. We recommend a hole punch tool that is 1/2" diameter.
(McMaster-Carr, Osborne, etc.)

1. Lift the rear skirt to gain access inside the chair and locate the (2) holes in arm end cap.
2. On the outer surface, use noted dimensions and a pin to find the (2) holes and verify the center of each.
3. Now that you know where the center of the holes are, push and rotate the hole punch tool in the center of the verified hole location to cut through the fabric down to the wood. Remove each cut piece of fabric.
4. If necessary, Use a 1/2" drill bit to enlarge the (2) existing holes in the wood back panel.
5. Remove (2) screws securing the brake clip to the base frame. Install the support bracket under the brake clip. Reinstall the (2) brake clip screws and install (1) provided screw to secure the support bracket to the base frame.
6. Install the provided (2) screws, (2) washers, and (2) spacer inserts as shown to secure the IV holder bracket to the chair.



Push Bar Installation

NOTE: You will need to cut the holes in the fabric. We recommend a hole punch tool that is 3/8" diameter. (McMaster-Carr, Osborne, etc.)

1. Mark the two (2) hole locations as shown.
2. Verify location by using a pin, find the center of the threaded inserts that are pre-installed in the frame under the fabric at the two (2) marks made in step 1.
3. Now that you know where the center of the threaded inserts are, push and rotate the hole punch tool in the center of the verified hole location to cut through the fabric down to the steel. Remove the cut piece of fabric.
4. Install the screws, lock washers and collars with an allen wrench as shown.
5. Place the push bar over the collar/washer assembly and install the set screws in the bottom of the bar as shown.

