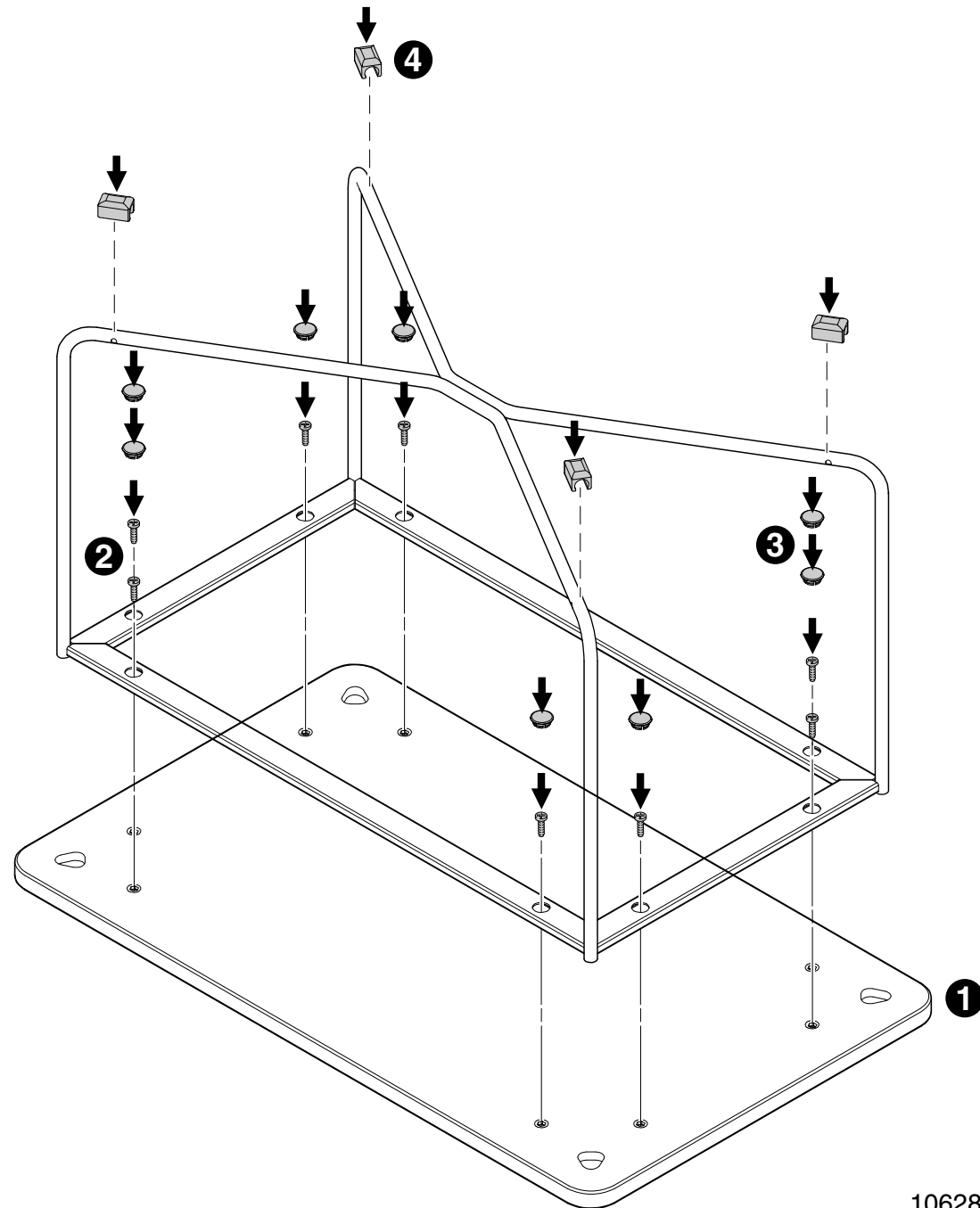
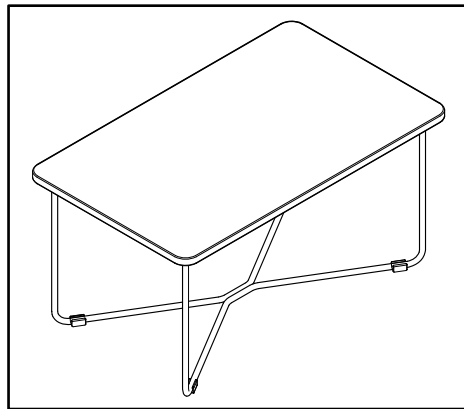


Assemble Table

1. Carefully place top onto carpet or soft, clean surface with bottom side up.
2. Install (8) screws through frame and into inserts in top.
Note: start all screws to ensure alignment before tightening.
3. Press (8) covers over screws in frame.
4. Snap (4) glides onto detents in frame.



If you have a problem, question, or request, call your local dealer, or Steelcase Line 1 at **888.STEELCASE** (888.783.3522) for immediate action by people who want to help you.

(Outside the U.S.A., Canada, Mexico, Puerto Rico, and the U.S. Virgin Islands, call: 1.616.247.2500)
Or visit our website: www.steelcase.com

© 2017 Steelcase Inc.
Grand Rapids, MI 49501
U.S.A.

Printed in U.S.A.

Table Disassembly

1. Carefully place top onto carpet or soft, clean surface with bottom side up.
2. Pull off (4) glides.
NOTE: Not needed if only replacing top.
3. Pry off (8) covers.
4. Remove (8) screws.

