

If you have a problem, question, or request, call your local dealer, or Steelcase Line 1 at **888.STEELCASE** (888.783.3522) for immediate action by people who want to help you.

(Outside the U.S.A., Canada, Mexico, Puerto Rico, and the U.S. Virgin Islands, call: 1.616.247.2500)
Or visit our website: www.steelcase.com

© 2014 Steelcase Inc.
Grand Rapids, MI 49501
U.S.A.

Printed in U.S.A.

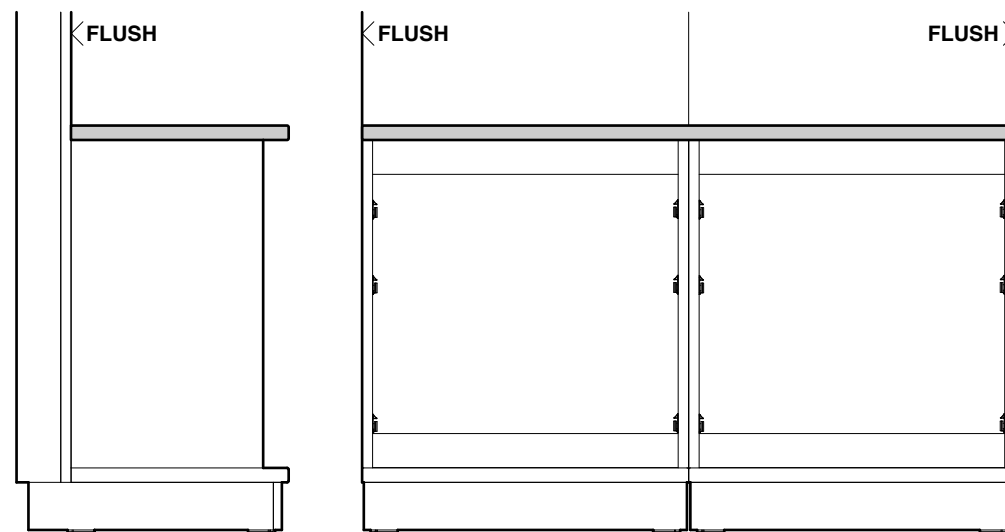
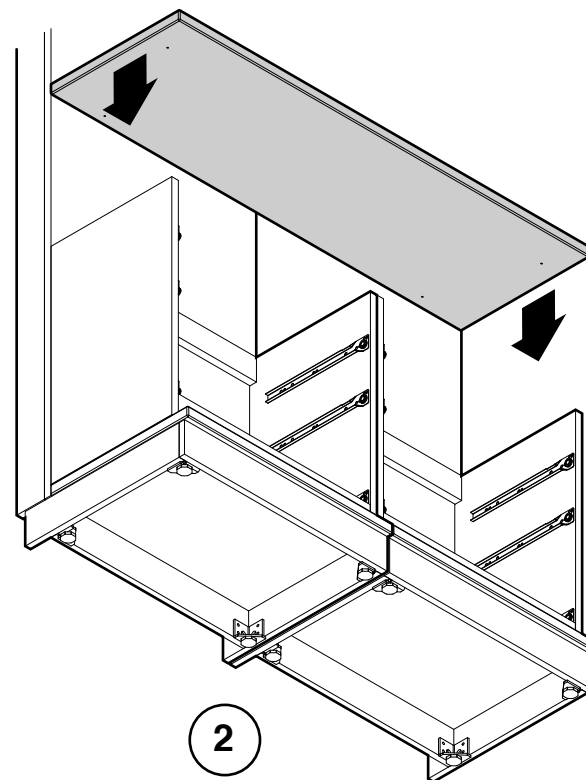
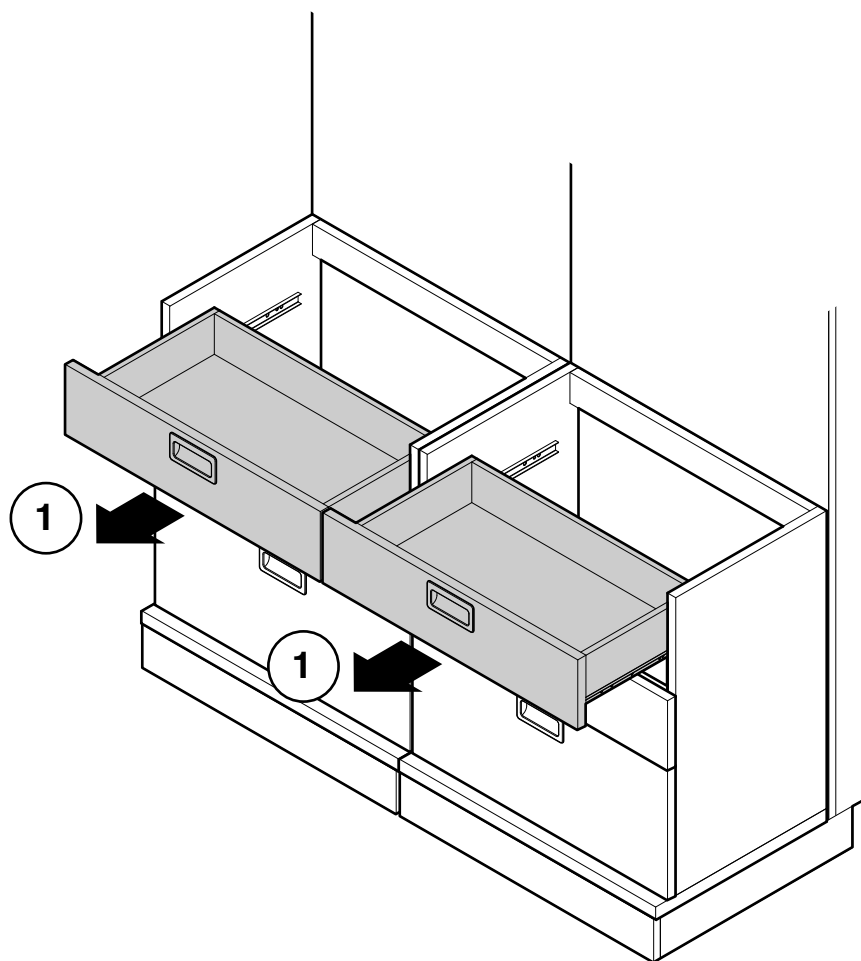
Steelcase

HEALTH

1. Remove all drawers.

TIP: Mark all drawers so they can be easily re-installed in their original positions.

2. Place the worksurface on top of the lower casestorage units. Make sure the worksurface is flush from side to side and flush at the rear.



3. The worksurface has pilot holes to locate the mounting brackets at each end and in the rear. Place the mounting brackets over the pilot holes at each end of worksurface and fasten each bracket using two (2) screws (3a). Make sure the worksurface is flush from side to side and flush at the rear (as shown in step 2). Place the mounting brackets over the pilot holes at the rear of worksurface and fasten each bracket using two (2) screws (3b). Finally, place one (1) mounting bracket over the pilot holes at the center of worksurface and fasten bracket using two (2) screws (3c).

If you are mounting the worksurface over more than one lower case storage unit, mount one (1) bracket to the middle wall (3c).

ALTERNATE MOUNTING OPTION:

If the mounting brackets are in an exposed condition, you can use silicone adhesive for assembly.

