

If you have a problem, question, or request, call your local dealer, or Steelcase Line 1 at **888.STEELCASE** (888.783.3522) for immediate action by people who want to help you.

(Outside the U.S.A., Canada, Mexico, Puerto Rico, and the U.S. Virgin Islands, call: 1.616.247.2500) Or visit our website: www.steelcase.com

© 2015 Steelcase Inc.
Grand Rapids, MI 49501
U.S.A.

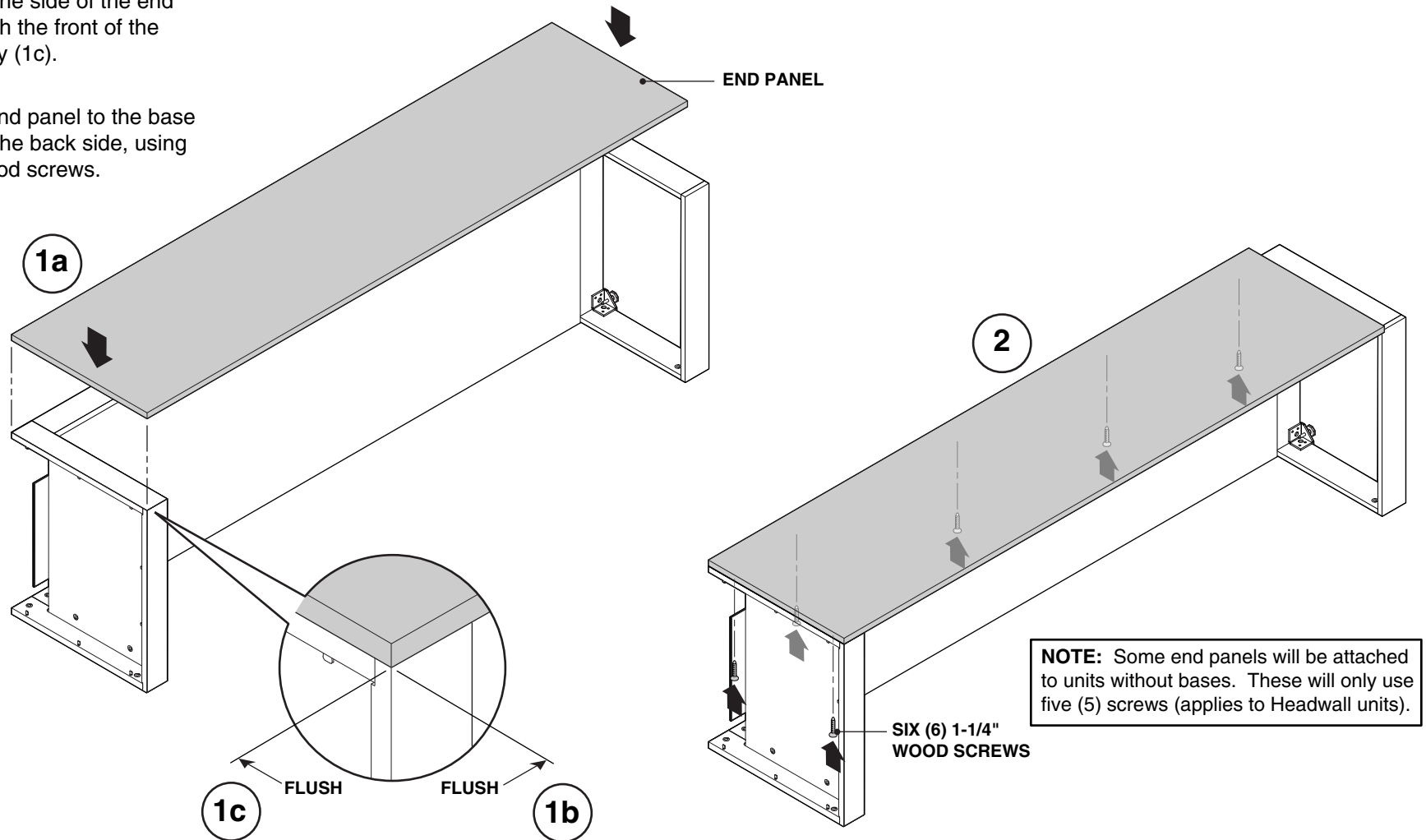
Printed in U.S.A.

Steelcase

HEALTH

1. Turn the base assembly on its side. Lower the end panel onto the base assembly as shown (1a). Make sure the top of the base assembly and the top of the end panel is flush (1b), also make sure the side of the end panel is flush with the front of the canopy assembly (1c).

2. Secure the end panel to the base assembly, from the back side, using six (6) 1-1/4" wood screws.



Steelcase

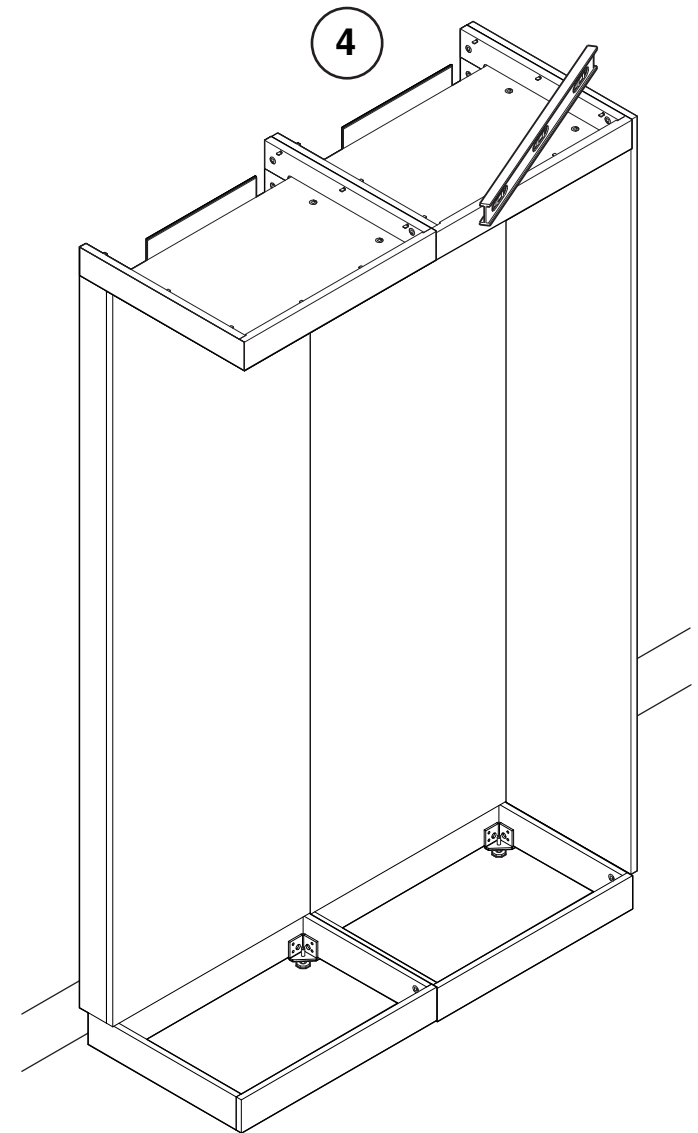
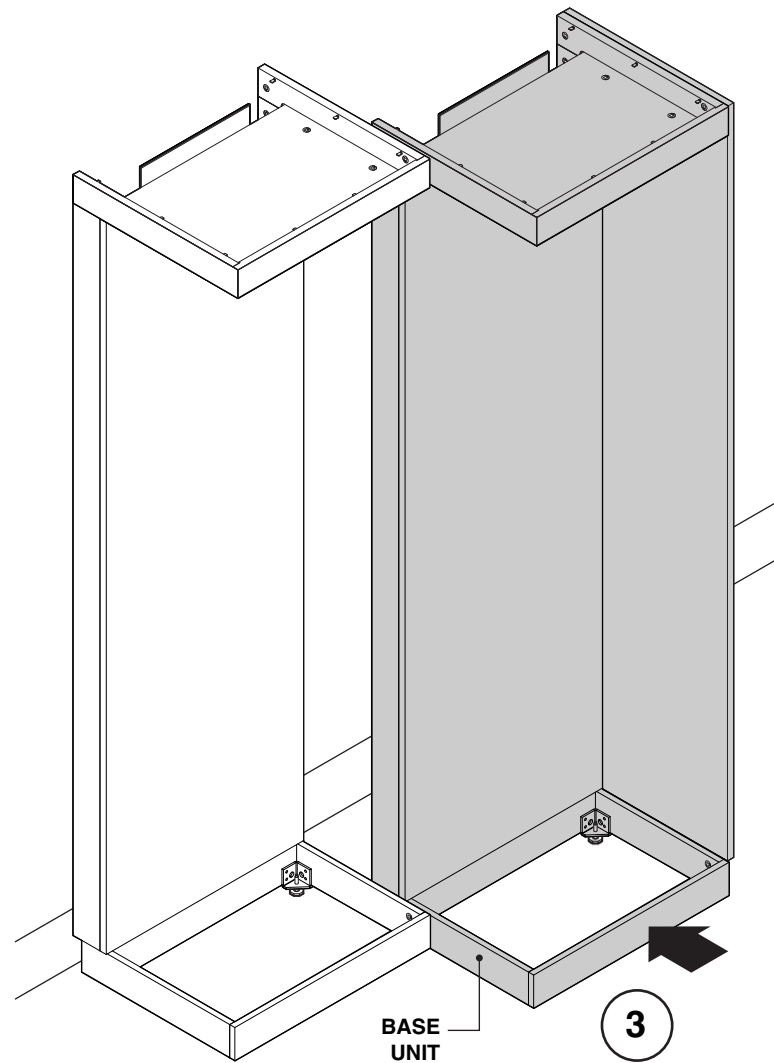
HEALTH

3. Push base unit into place.

4. Level base unit.

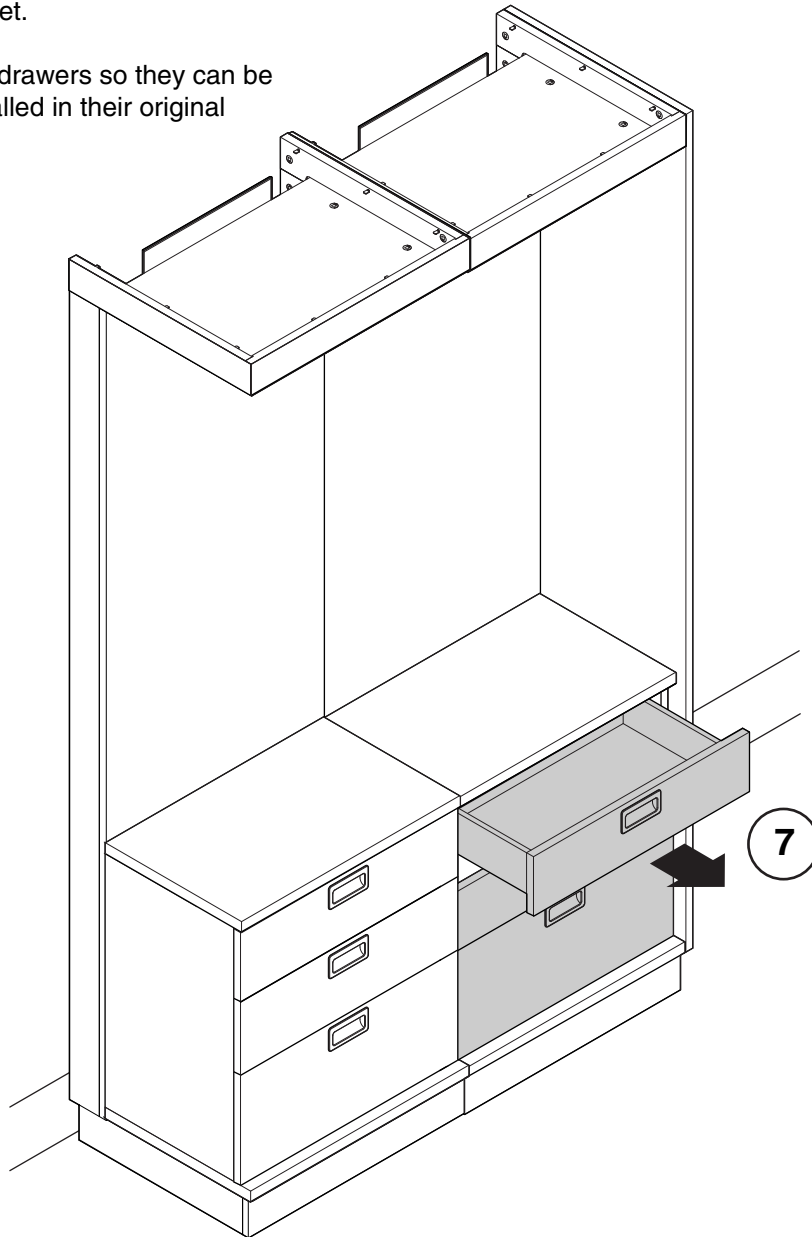
5. Secure units together and place in position against wall. Refer to assembly direction #939500801.

6. Install storage cabinet. Refer to assembly direction #939500811.



7. Remove drawers from the lower storage cabinet.

TIP: Mark all drawers so they can be easily re-installed in their original positions.



8. Secure lower storage cabinet to the end panel using four (4) 1-1/4" wood screws.

9. Re-install drawers in their original positions.

