

If you have a problem, question, or request, call your local dealer, or Steelcase Line 1 at **888.STEELCASE** (888.783.3522) for immediate action by people who want to help you.

(Outside the U.S.A., Canada, Mexico, Puerto Rico, and the U.S. Virgin Islands, call: 1.616.247.2500)
Or visit our website: www.steelcase.com

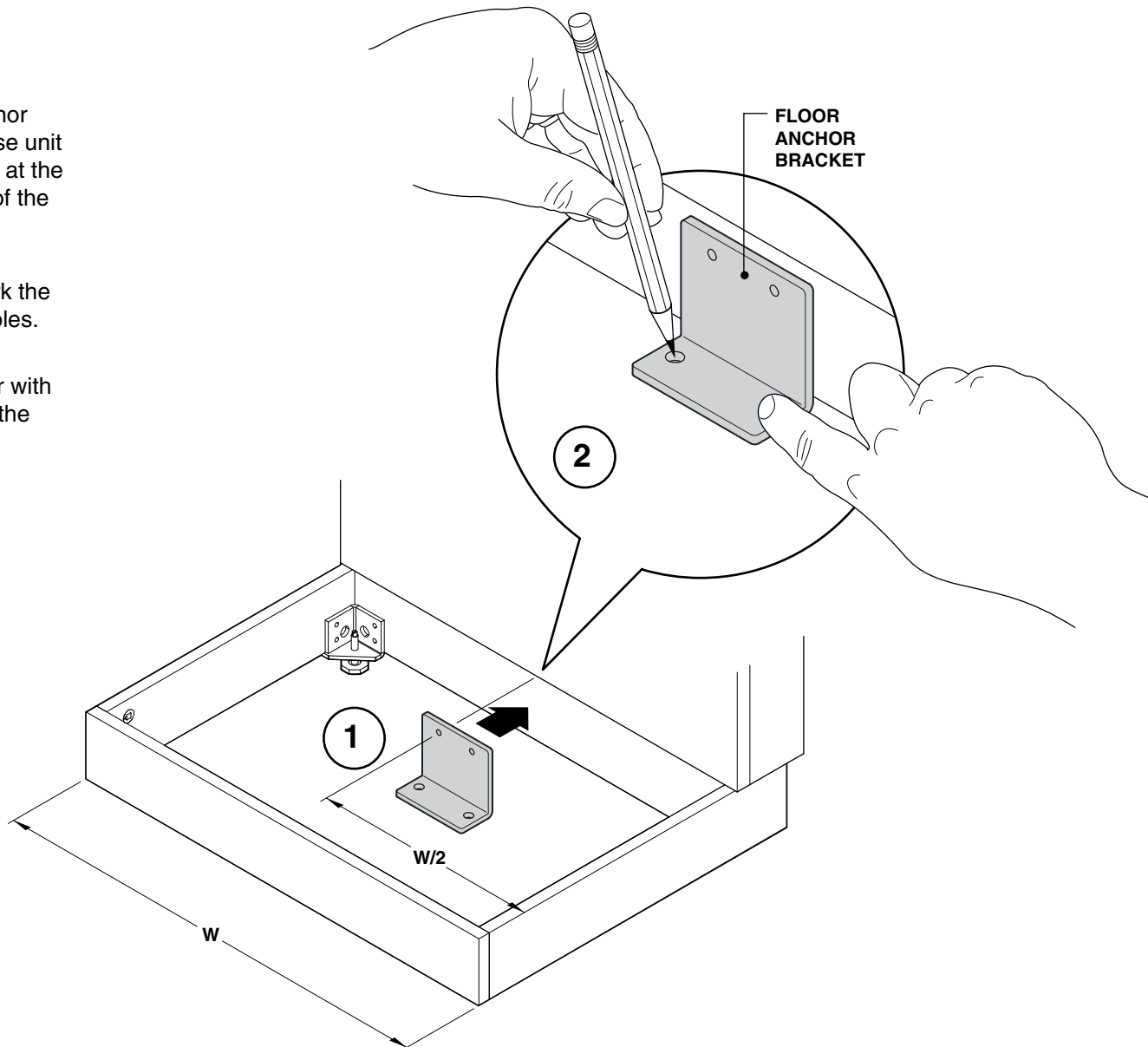
© 2014 Steelcase Inc.
Grand Rapids, MI 49501
U.S.A.

Printed in U.S.A.

1. Place the floor anchor bracket against the base unit assembly and the floor at the mid point of the width of the base unit.

2. Using a pencil, mark the floor anchor bracket holes.

3. Secure floor anchor with hardware specified by the engineer of record.



4. Drill pilot holes through bracket and into base unit assembly using a 1/8" dia. drill bit.

5. Install one (1) bolt into each hole (5a) and tighten (5b).

