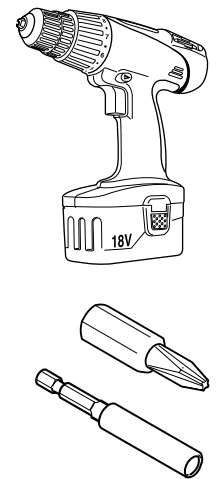
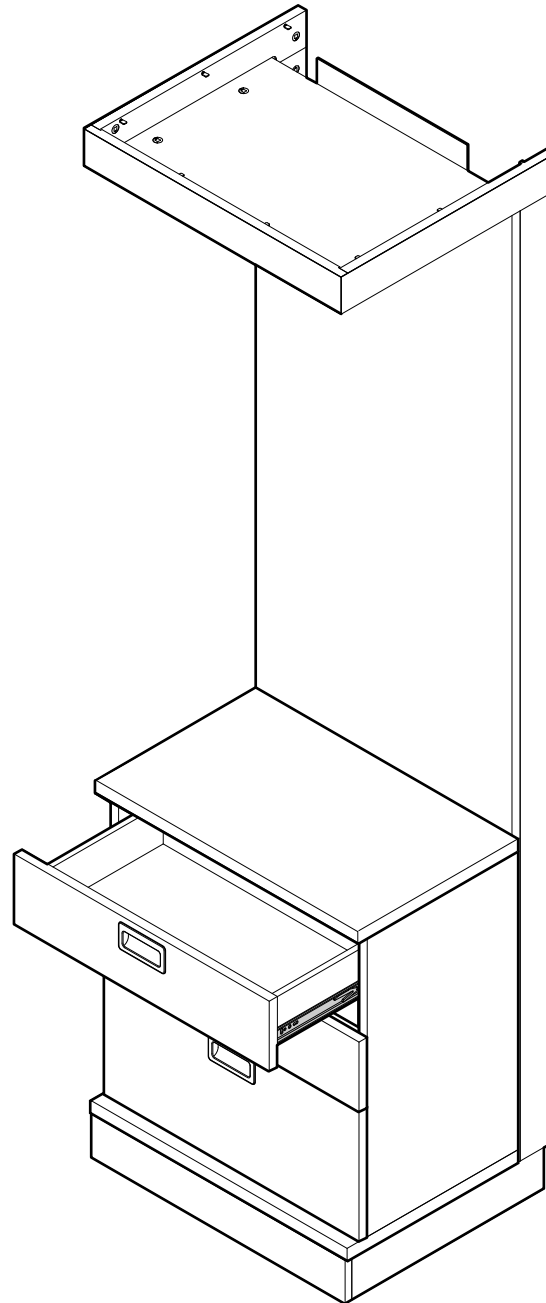


# Opus™ Heavy Duty Drawer Slides for Customer Service



If you have a problem, question, or request, call your local dealer, or Steelcase Line 1 at **888.STEELCASE** (888.783.3522) for immediate action by people who want to help you.

(Outside the U.S.A., Canada, Mexico, Puerto Rico, and the U.S. Virgin Islands, call: 1.616.247.2500)  
Or visit our website: [www.steelcase.com](http://www.steelcase.com)

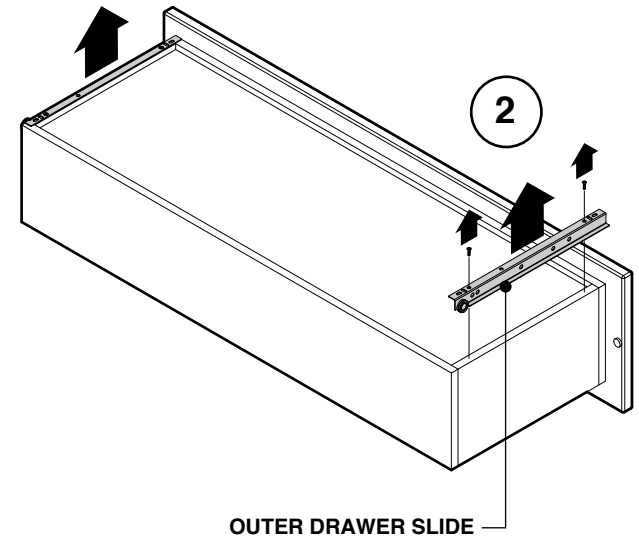
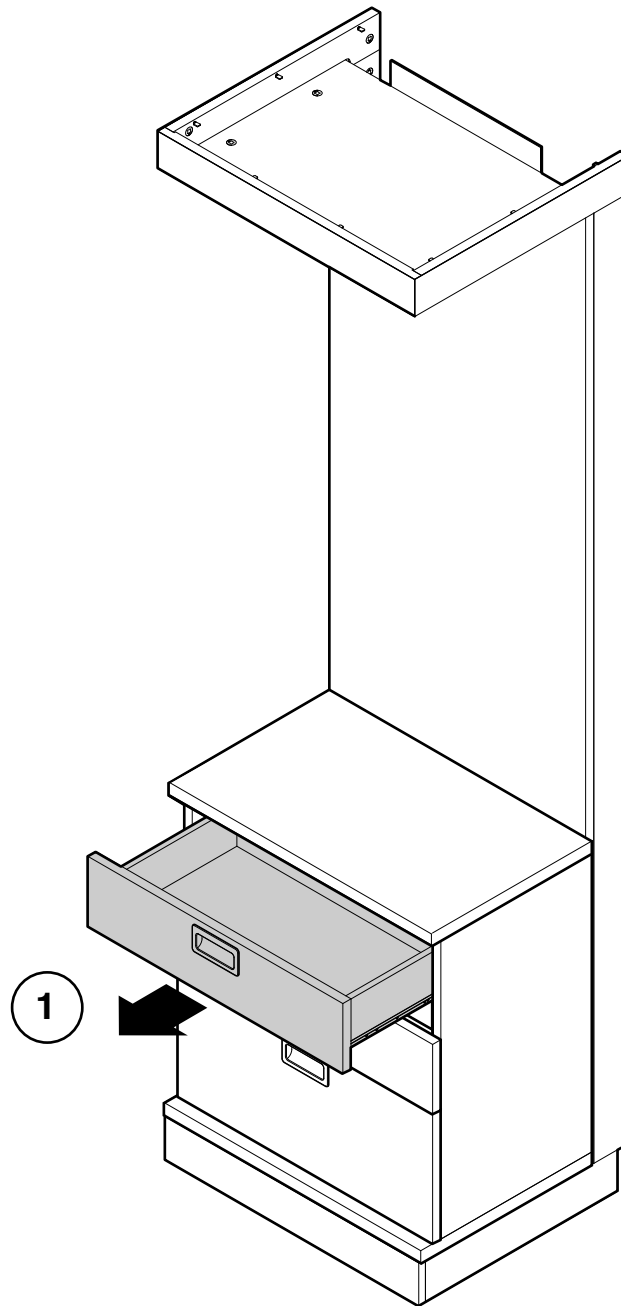
© 2014 Steelcase Inc.  
Grand Rapids, MI 49501  
U.S.A.

Printed in U.S.A.

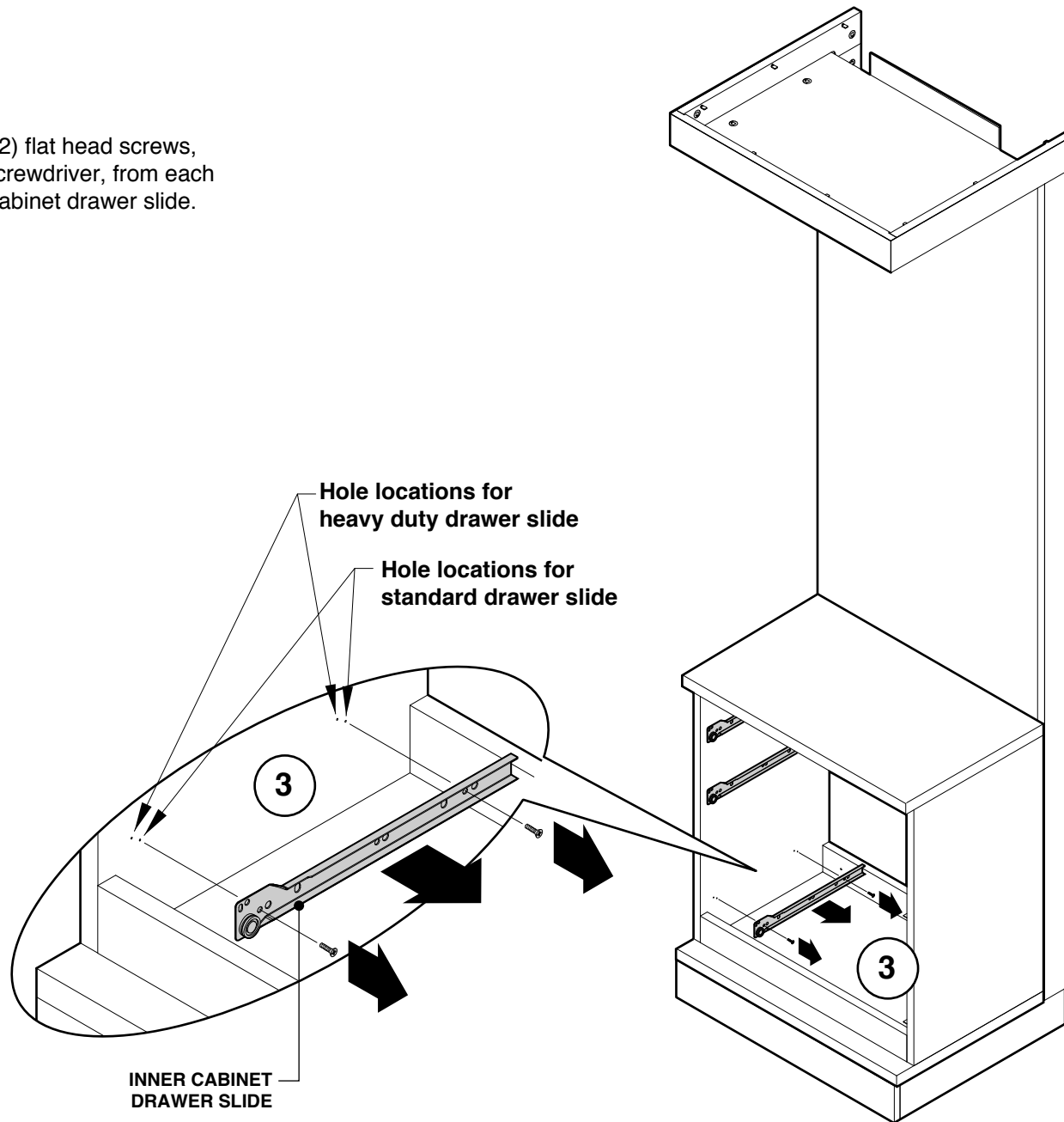
**1.** Remove the drawer(s) that will be changed to have the heavy duty drawer slides.

**TIP:** Mark all drawers so they can be easily re-installed in their original positions.

**2.** Turn the drawer over and remove the two (2) flat head screws, with a phillips head screwdriver, from each side. Remove outer drawer slide.



**3.** Remove the two (2) flat head screws, with a phillips head screwdriver, from each side. Remove inner cabinet drawer slide.



**4.** Install the inner cabinet heavy duty drawer slide with the two (2) flat head screws (provided), with a phillips head screwdriver, from each side.

**5.** Mount the outer heavy duty drawer slide to the side of the drawer 7/32" up from the bottom of the drawer and flush to the back of the drawer outer head.

**6.** Slide the drawer into the case in the original position.

