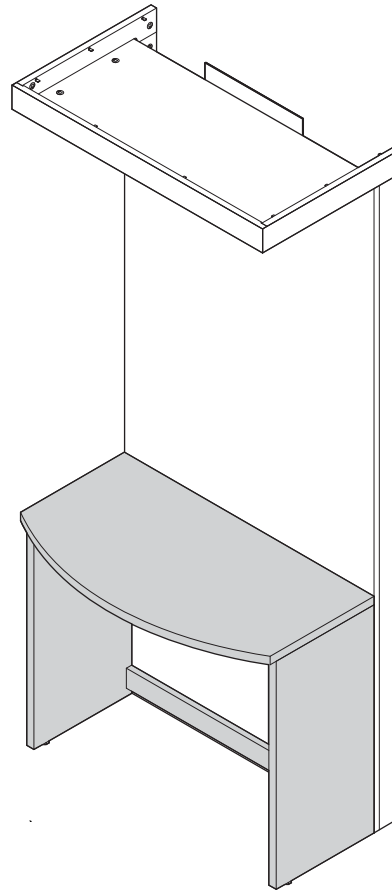
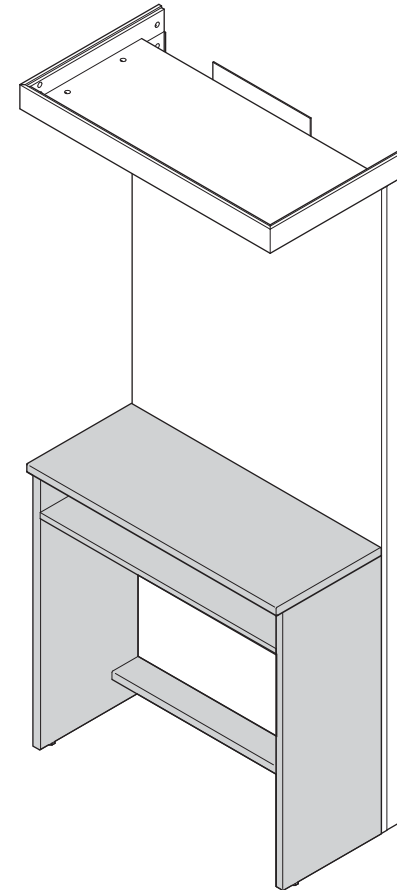


NOTE:
Wall anchor brackets are required
if it's a stand alone unit.

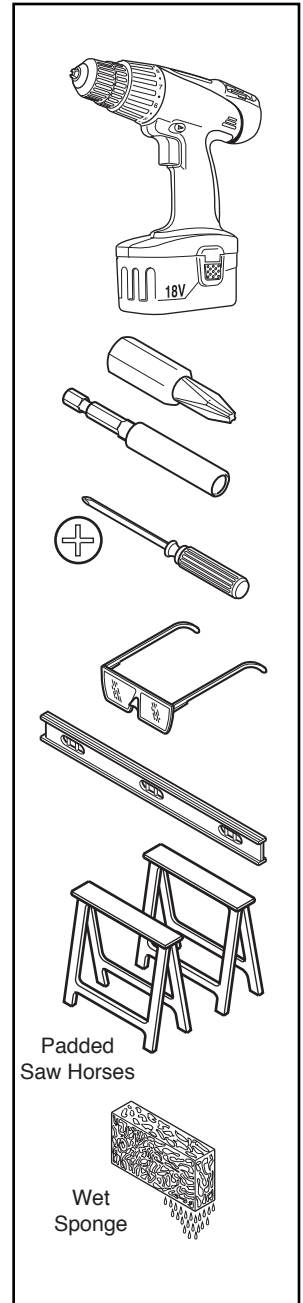


Seated Height Desk

NOTE:
Add dust cover to the top
of each unit at the end of
the installation.



Standing Height Desk



If you have a problem, question, or request, call
your local dealer, or Steelcase Line 1 at
888.STEELCASE (888.783.3522)
for immediate action by people who want to help you.

(Outside the U.S.A., Canada, Mexico, Puerto Rico,
and the U.S. Virgin Islands, call: 1.616.247.2500)
Or visit our website: www.steelcase.com

© 2014 Steelcase Inc.
Grand Rapids, MI 49501
U.S.A.

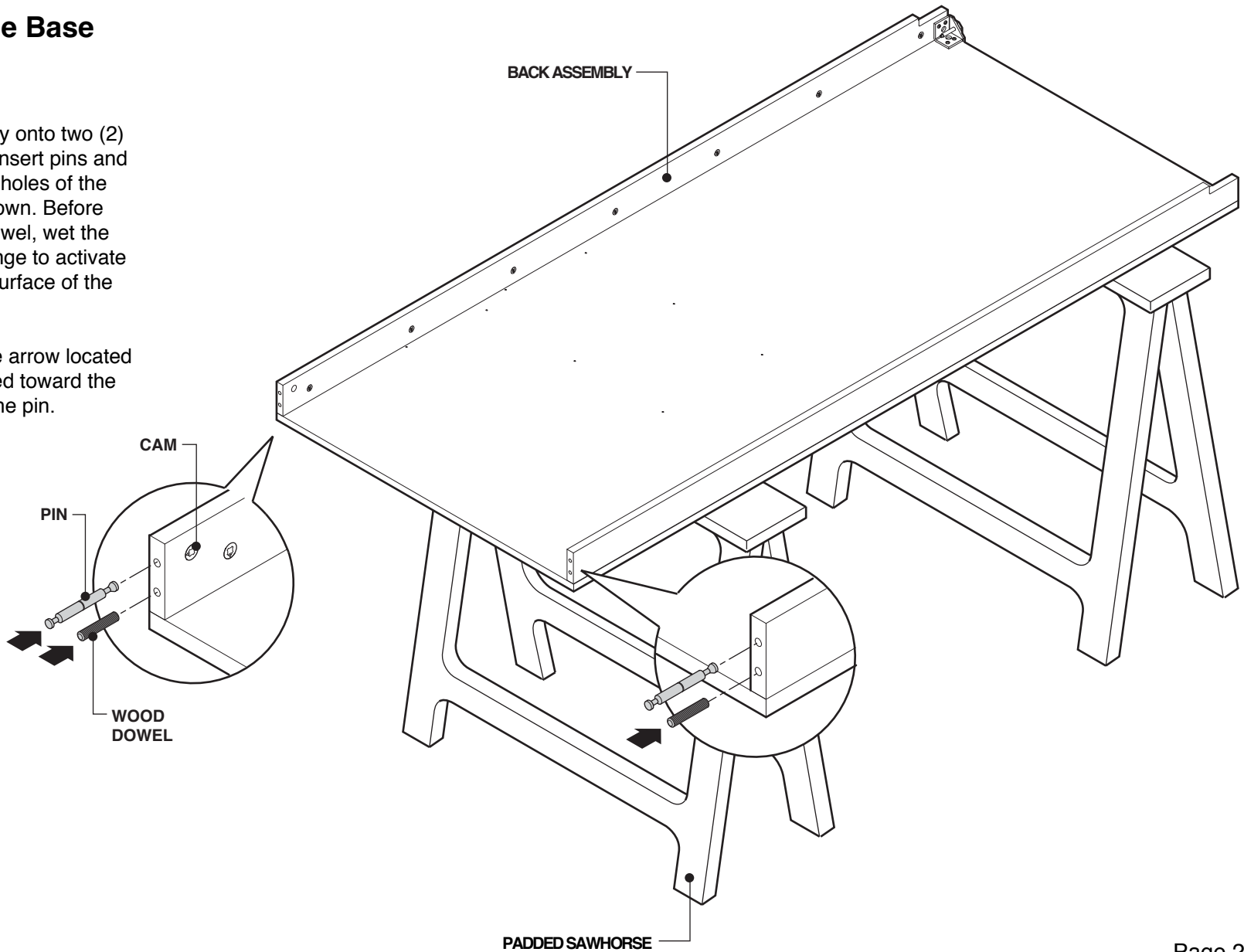
Printed in U.S.A.

NOTE:
It is required to have two (2) people
to install this product.

Assembling the Base Assembly

1. Lay back assembly onto two (2) padded saw horses. Insert pins and wood dowels into the holes of the back assembly as shown. Before installing the wood dowel, wet the dowel with a wet sponge to activate the adhesive on the surface of the dowel.

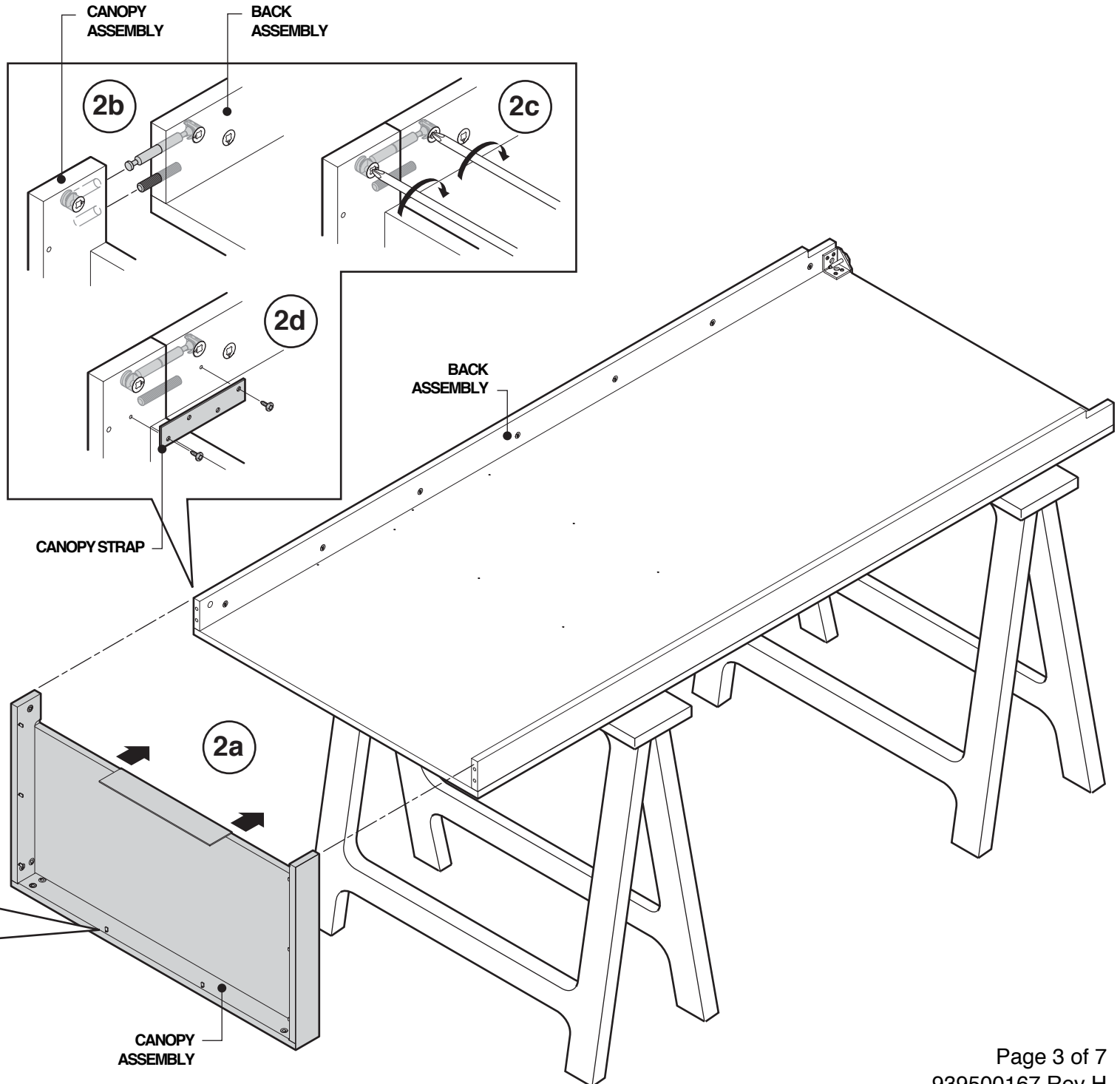
NOTE: Make sure the arrow located on each cam is pointed toward the hole that will accept the pin.



Steelcase

HEALTH

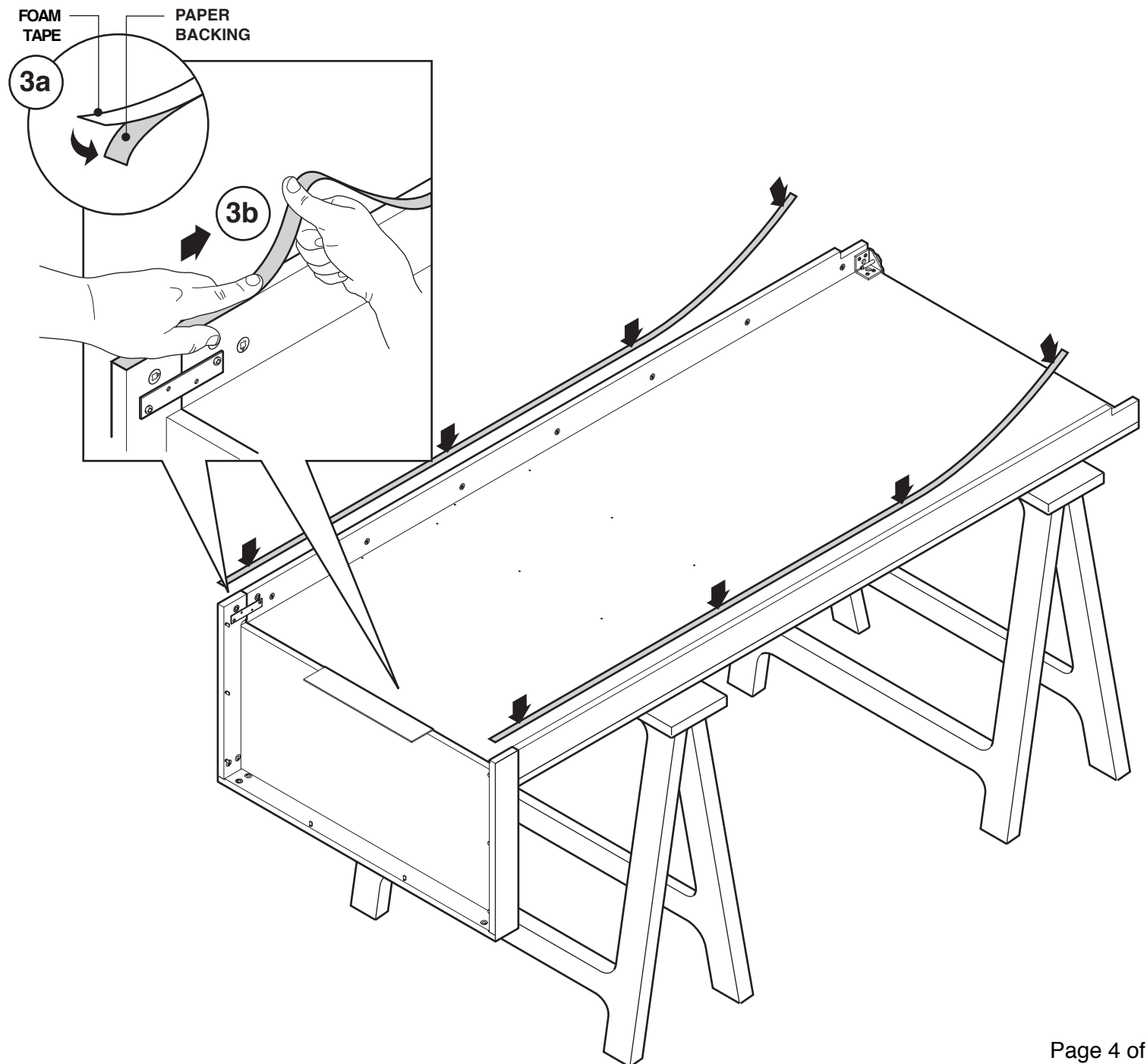
1. Align the canopy assembly to the back assembly (2a). Make sure holes on the canopy assembly accept the pins and dowels on the back assembly (2b). Draw each cam lock, in a clockwise direction, into the center of the cam 0° to 75° (no tightening occurs at this point). The cam lock range for tightening is 75° to 195°. Hand tighten until a rigid tensioning is achieved in both cam locks (2c). Install a canopy strap between the canopy assembly and the back assembly with two (2) #8-15 x 5/8" pan head wood screws as shown (one side only) (2d). Install eight (8) shelf support pins onto the canopy assembly (2e).



Steelcase

HEALTH

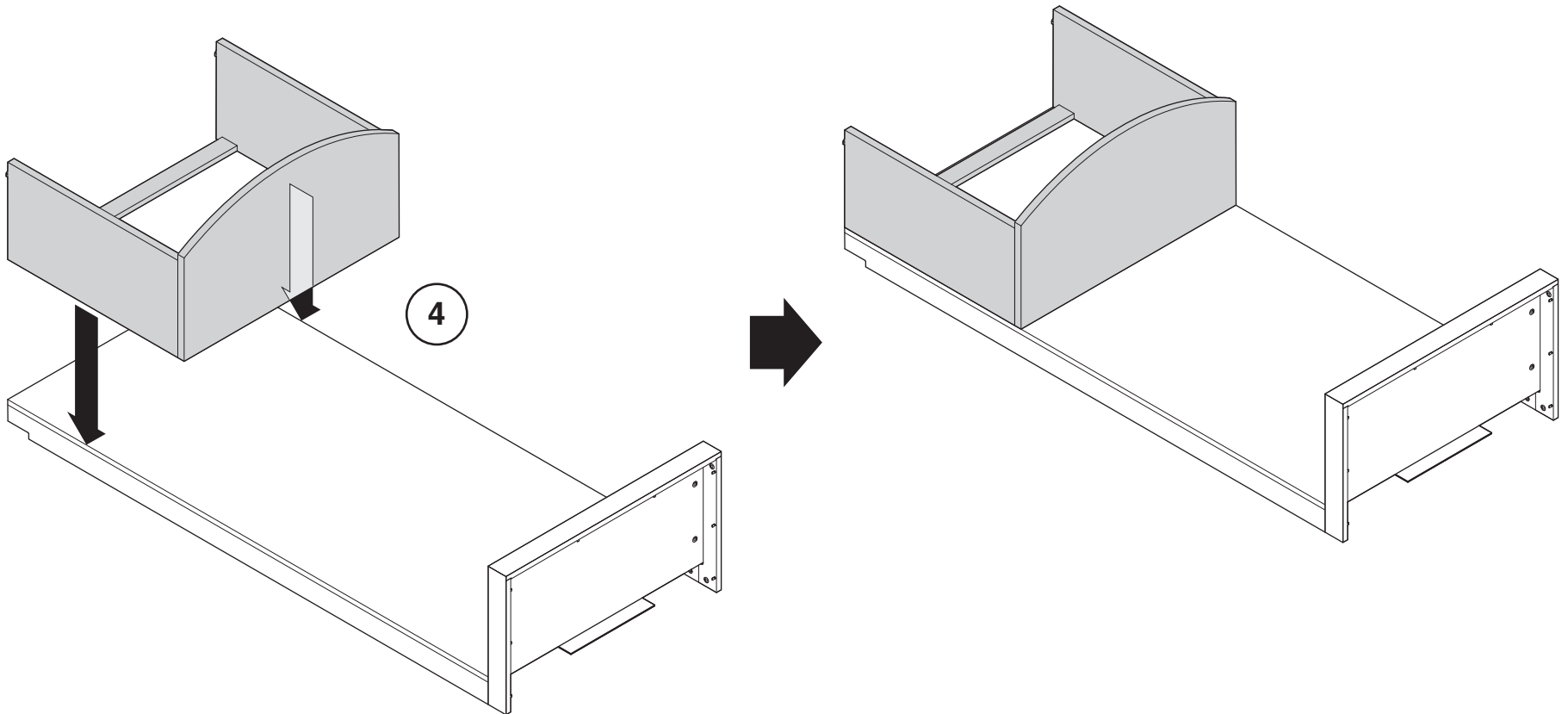
3. Peel paper backing from foam tape (3a). Place foam tape onto back of base assembly as shown (3b). Cut excess foam tape when finished.



Installation of the Seated or Standing Height Desk

NOTE: Seated height desk shown.

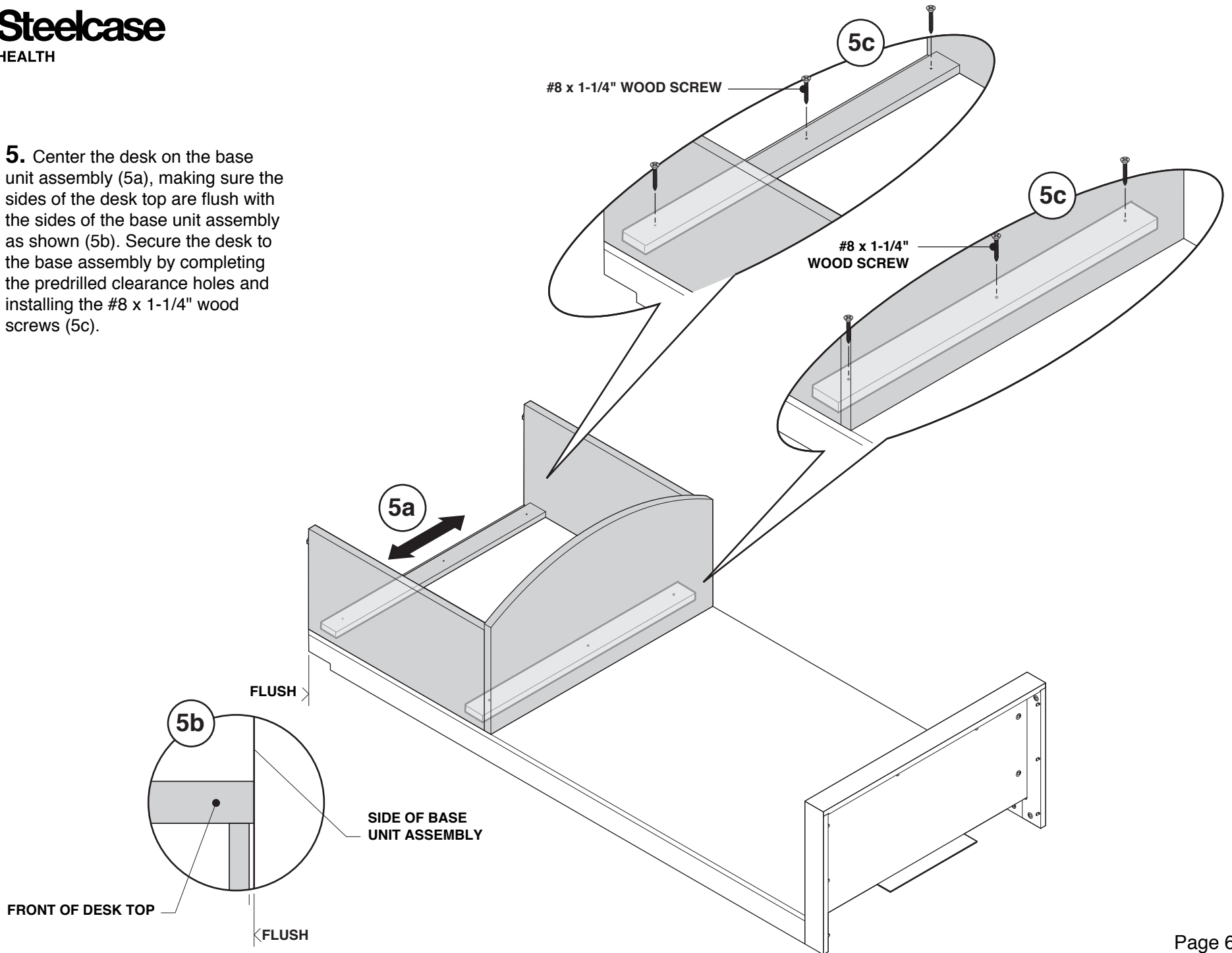
4. With the base unit placed onto a clean surface, place the desk onto the base unit.



Steelcase

HEALTH

5. Center the desk on the base unit assembly (5a), making sure the sides of the desk top are flush with the sides of the base unit assembly as shown (5b). Secure the desk to the base assembly by completing the predrilled clearance holes and installing the #8 x 1-1/4" wood screws (5c).



6. Stand the desk assembly upright.

7. If this is a 'stand alone' unit, move the desk assembly against the wall (7a) and level (7b). If there are multiple units, gang to adjacent units before moving against the wall and leveling. See assembly direction 939500801 "Opus Base Unit Assembly" for help ganging units together.

NOTE:

Add dust cover to the top of each unit at the end of the installation.

