

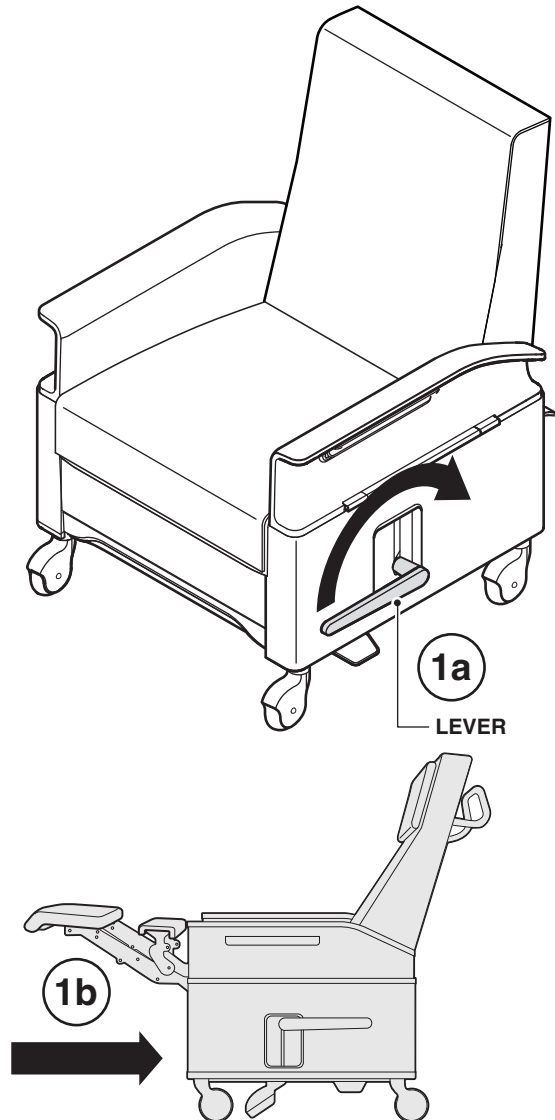
If you have a problem, question, or request, call your local dealer, or Steelcase Line 1 at **888.STEELCASE** (888.783.3522) for immediate action by people who want to help you.

(Outside the U.S.A., Canada, Mexico, Puerto Rico, and the U.S. Virgin Islands, call: 1.616.247.2500)
Or visit our website: www.steelcase.com

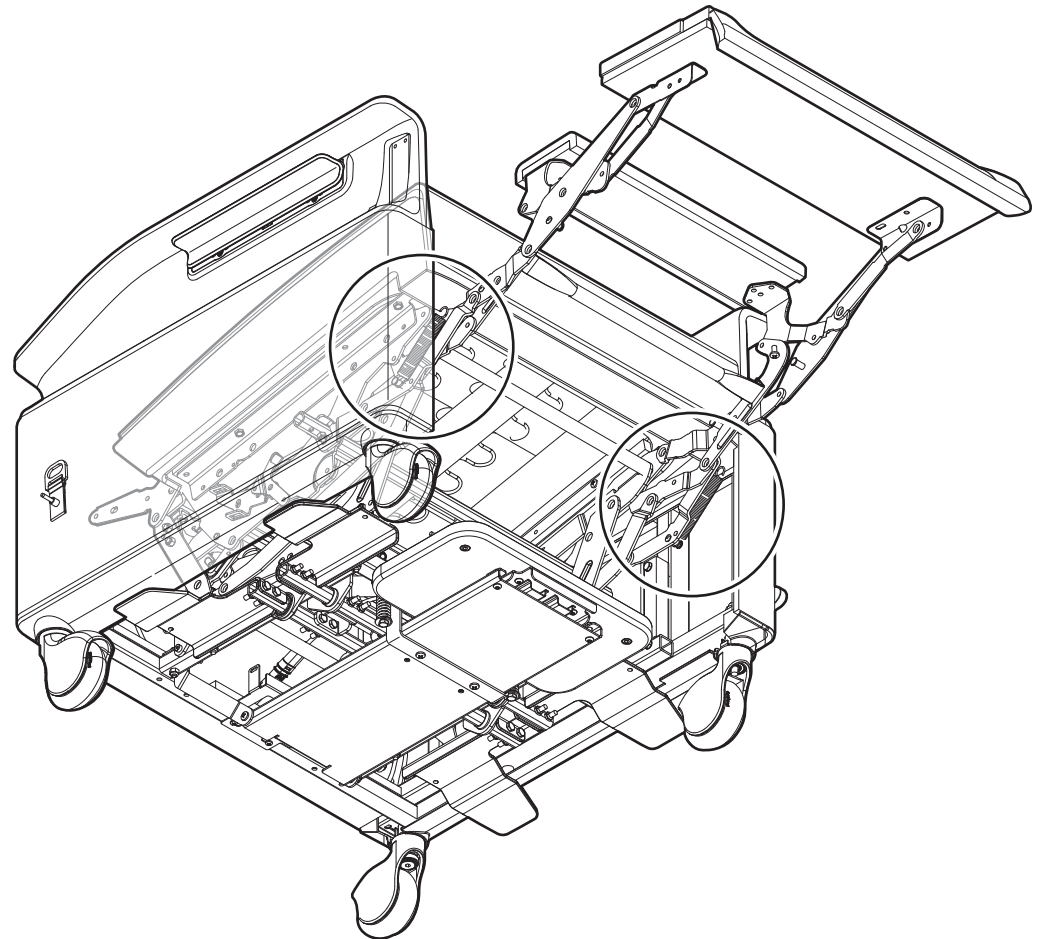
© 2015 Steelcase Inc.
Grand Rapids, MI 49501
U.S.A.

Printed in U.S.A.

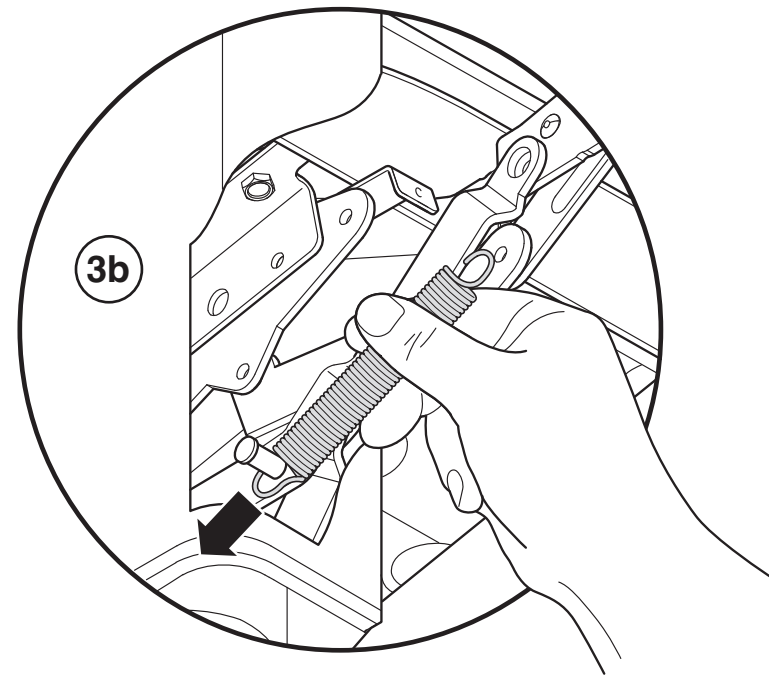
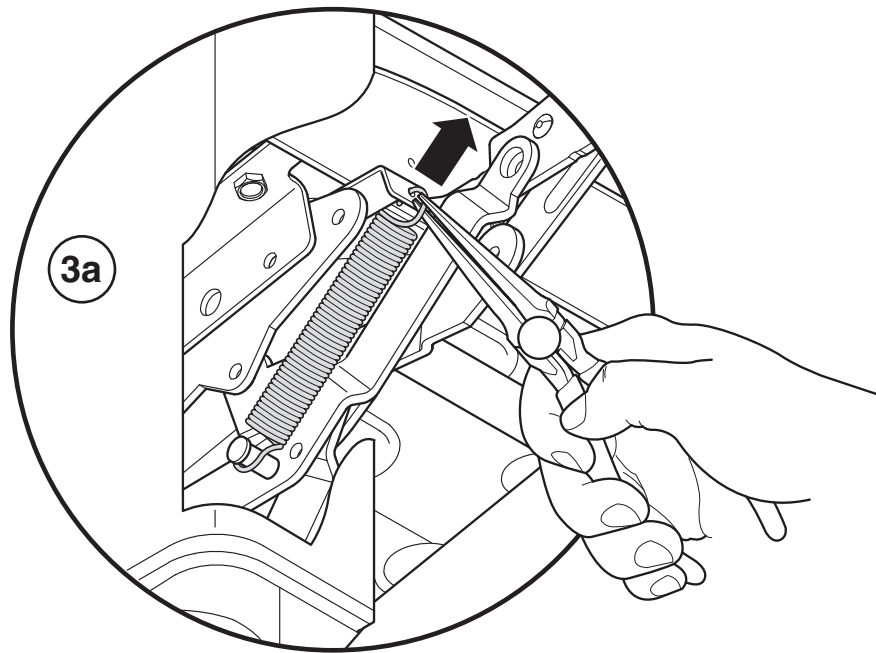
1. Pull lever (1a) to extend footrest (1b).



2. Locate the two (2) springs that need to be replaced.



- 3.** Remove existing spring by unhooking the top end first, using needle nose pliers (3a), then unhook bottom end of spring and remove (3b).



4. Install new spring by attaching the bottom first (4a) and then pulling upward, connecting top of spring (4b). Repeat steps 3 and 4 for other spring.

