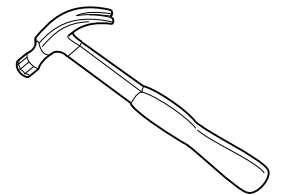
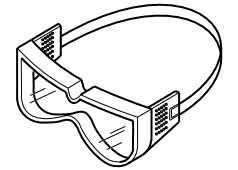
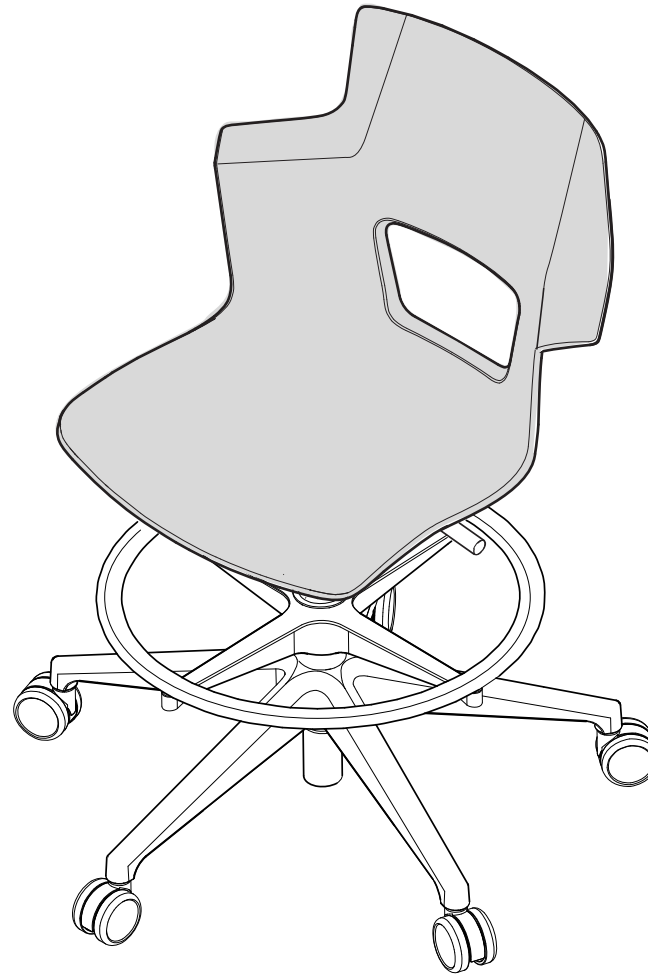


TS312 Shortcut™ Chair and Stool Seat Shell Replacement



**Pneumatic Cylinder
Removal Tool**

1. Adjust the chair to the highest seating position.

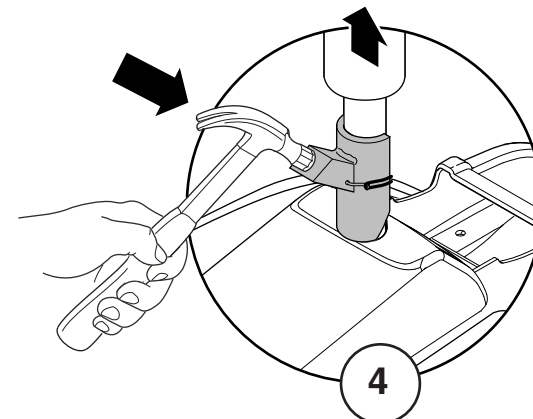
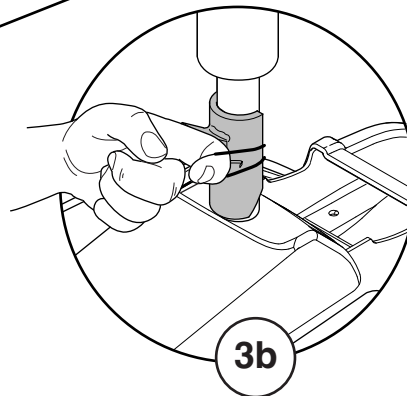
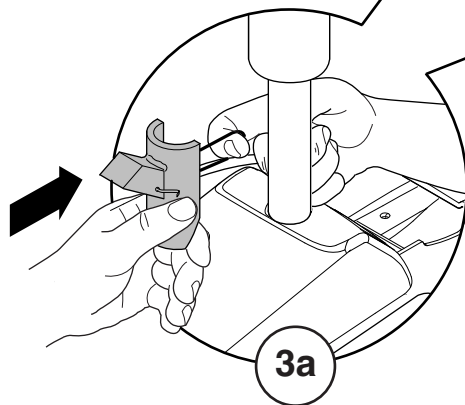
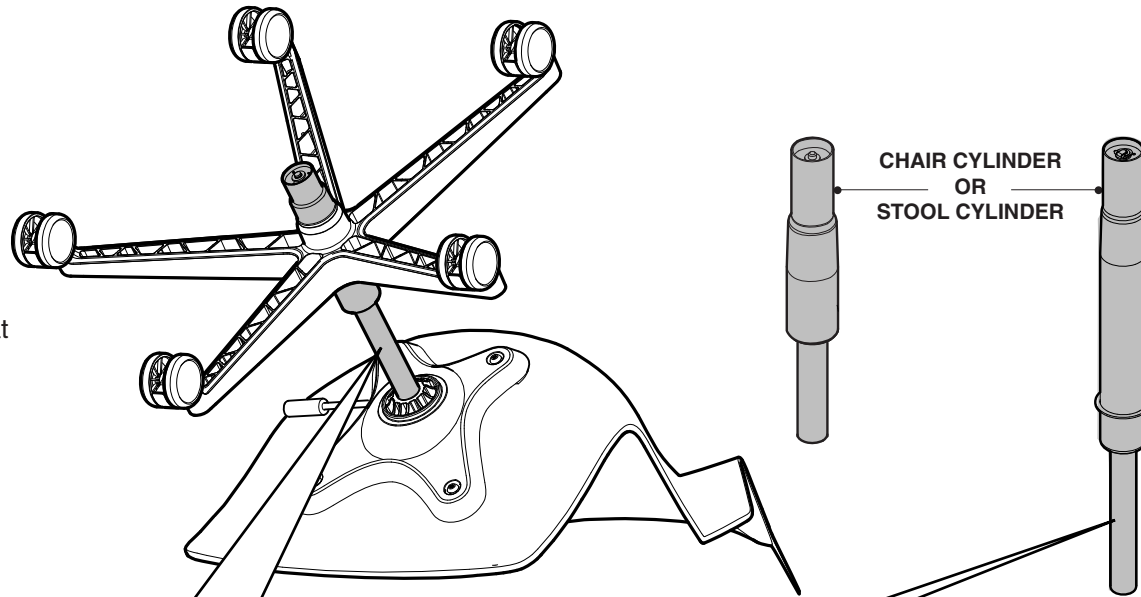
Note: For stools, adjust footring to position low enough for proceeding steps.

2. Place chair upside down on a protective surface that will not harm the chair or surface.

3. Secure cylinder removal tool (p/n 879100100) to cylinder and remove cylinder as shown below.

4. Apply lifting force to the column with one hand. With the hammer in the other hand, give the removal tool several solid hits on the flat area.

TIP: If cylinder does not separate from control, apply WD-40 where lift is embedded into control. Wait approx. 20 minutes and repeat procedure.



5. Return base and cylinder assembly to right side up

6. Install chair seat on cylinder. Sit in chair at lowest position to seat replacement cylinder.

