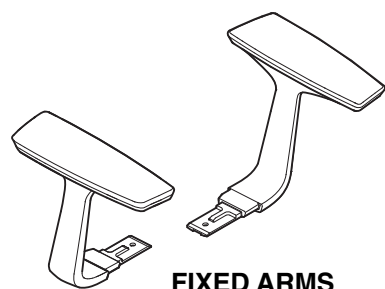
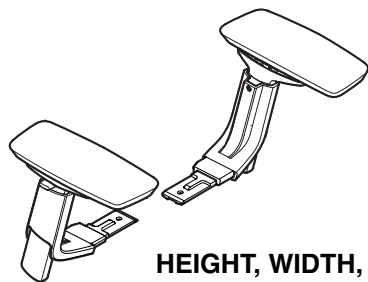


465 Think® Chair (New) Fixed and Adjustable Arm Cap Replacement



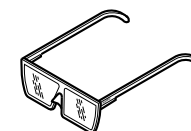
FIXED ARMS



HEIGHT, WIDTH, PIVOT AND DEPTH (HWP) AND HEIGHT ADJUSTABLE ARMS



Torx T20



If you have a problem, question, or request, call your local dealer, or Steelcase Line 1 at **888.STEELCASE** (888.783.3522) for immediate action by people who want to help you.

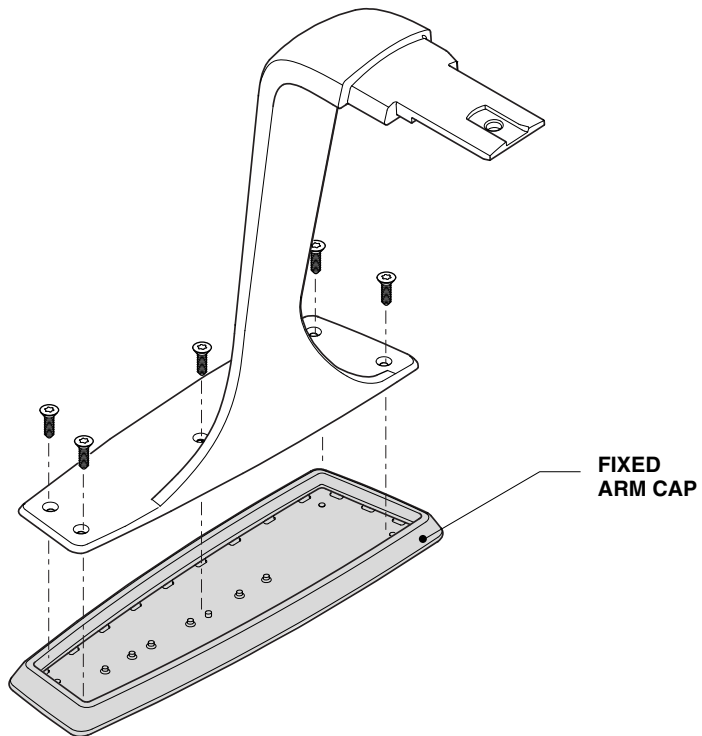
(Outside the U.S.A., Canada, Mexico, Puerto Rico, and the U.S. Virgin Islands, call: 1.616.247.2500)
Or visit our website: www.steelcase.com

© 2014 Steelcase Inc.
Grand Rapids, MI 49501
U.S.A.

Printed in U.S.A.

Fixed Arm Cap

1. Remove five (5) screws with T-20 Torx screwdriver as necessary.
2. Pull arm cap off the arm. Reverse procedure to install replacement.



HYPD and Height Adjustable Arm Cap

1. Remove four (4) screws with a T-20 Torx screwdriver as necessary.
2. Pull arm cap off the arm. Reverse procedure to install replacement.

