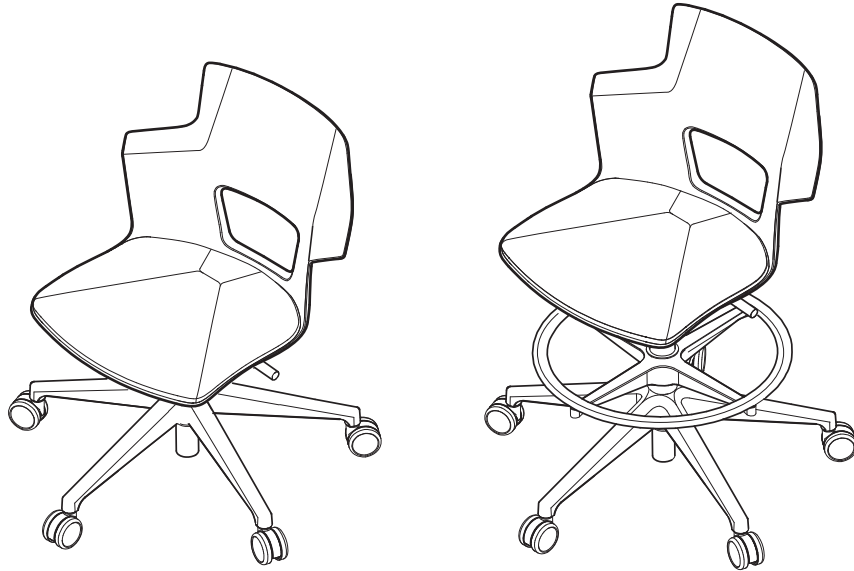


TS312 Shortcut™ 5-Arm Base Chair and Stool (with or without cushion) for KD



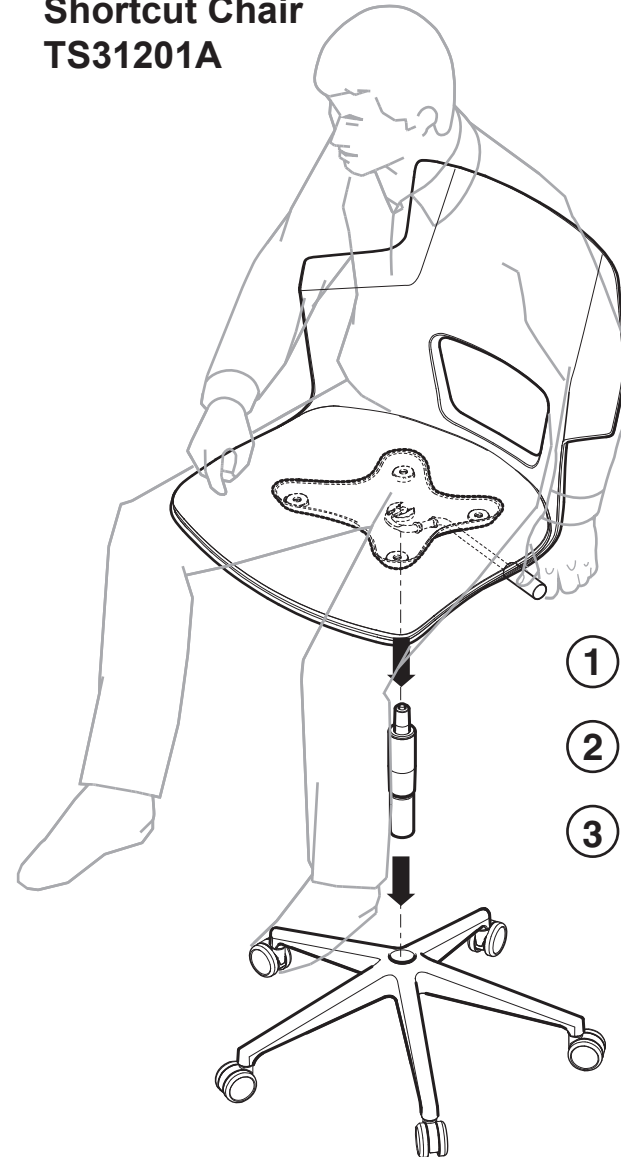
TS31201A Chair
Page 1

TS31202B Stool
Page 2

CAUTION
To prevent scratching the seat shell or deforming
the cushion, do not stack seat shells.

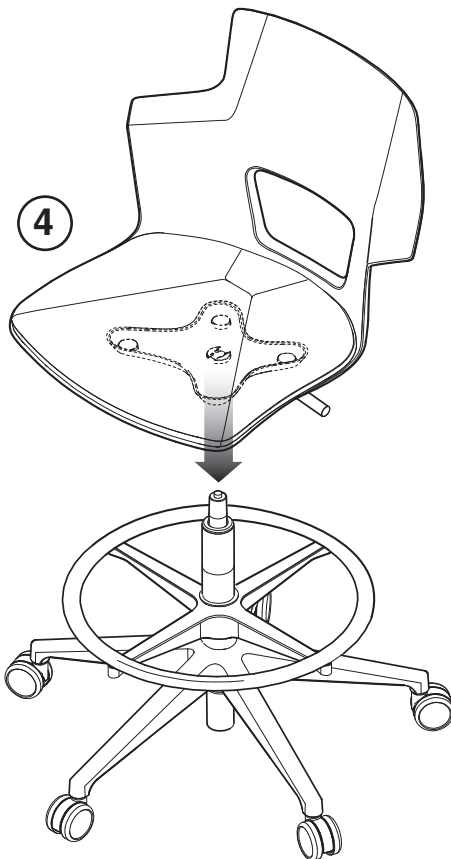
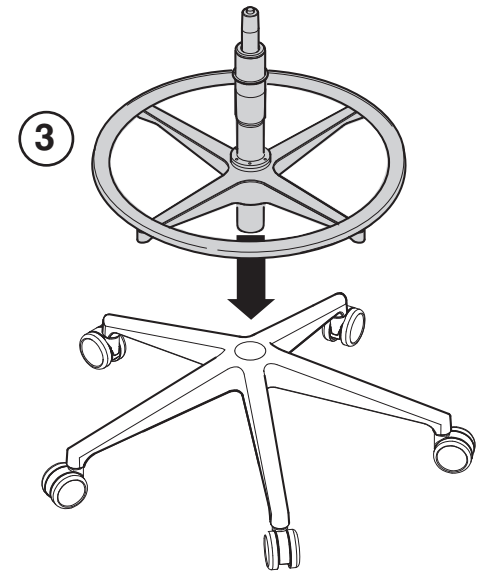
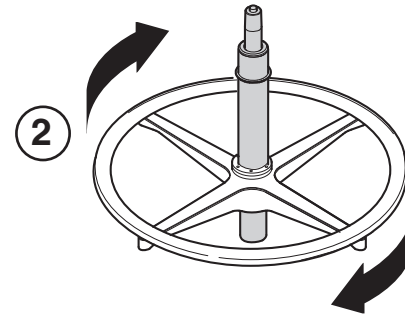
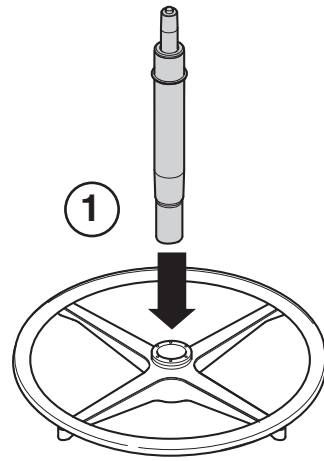


Shortcut Chair TS31201A



- 1 Align and insert column into base.
- 2 Place seat shell onto column.
- 3 With chair in lowest position, sit in chair repeatedly to fully seat chair components.

Shortcut Stool TS31202B



- 5** With chair at its lowest position, sit in chair repeatedly to fully seat chair components.