

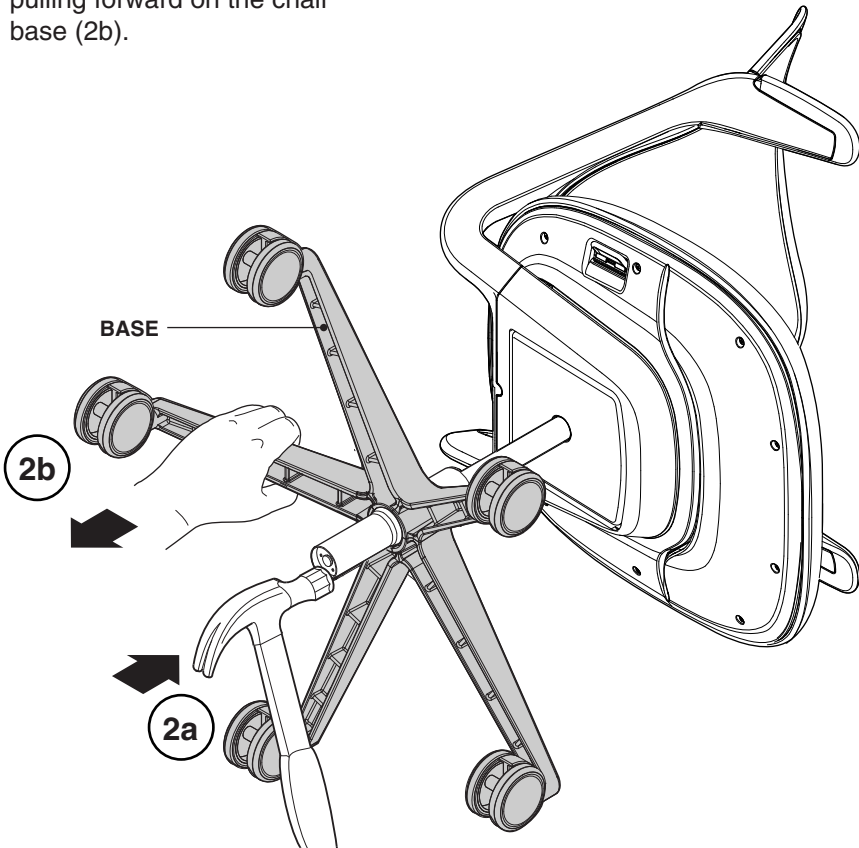
If you have a problem, question, or request, call your local dealer, or Steelcase Line 1 at **888.STEELCASE** (888.783.3522) for immediate action by people who want to help you. (Outside the U.S.A., Canada, Mexico, Puerto Rico, and the U.S. Virgin Islands, call: 1.616.247.2500)

Or visit our website: [www.steelcase.com](http://www.steelcase.com)

© 2008 Steelcase Inc.  
Grand Rapids, MI 49501  
U.S.A.  
Printed in U.S.A.

1. Turn chair on its side.

2. Hit bottom of the cylinder with a hammer (2a) while pulling forward on the chair base (2b).



**NOTE:** DO NOT hit the inner cylinder rod with the hammer. Hit the outer rim of the cylinder.

3. Place replacement base onto bottom of pneumatic cylinder. Turn chair upright and sit in chair to seat the cylinder into the chair base.

