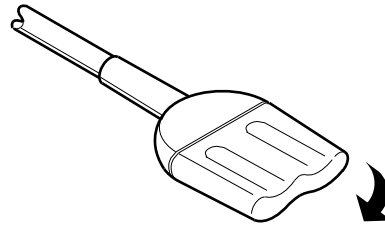
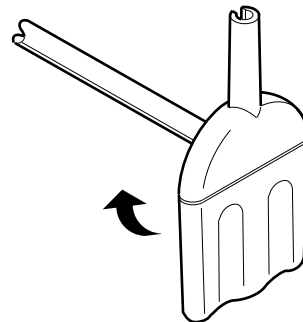


# Handle Replacement for 453, 453 plus & 460 Chairs

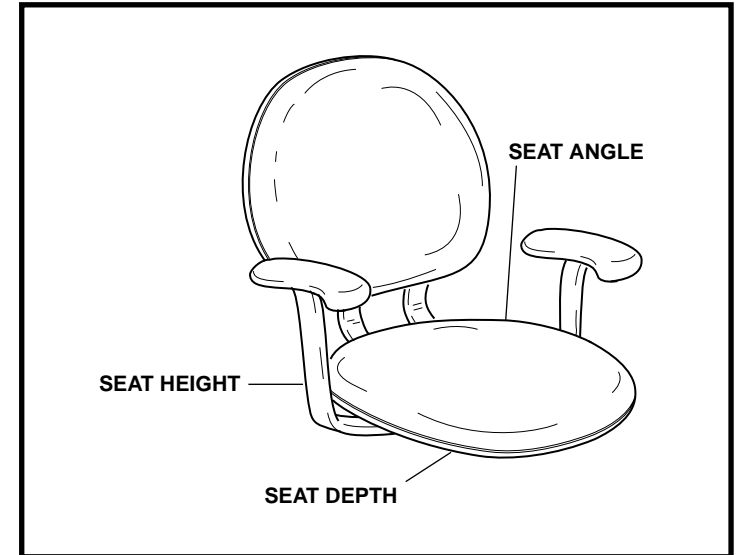
1. Break handle down.



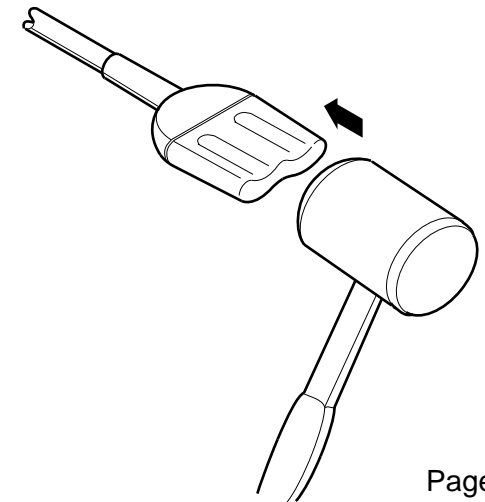
2. Twist off handle.



## Location of handles



3. Place new handle on shaft and pound with mallet.



If you have a problem, question, or request, call your local dealer, or Steelcase Line 1 at **888.STEELCASE** (888.783.3522) for immediate action by people who want to help you. (Outside the U.S.A., Canada, Mexico, Puerto Rico, and the U.S. Virgin Islands, call: 1.616.247.2500) Or visit our website: [www.steelcase.com](http://www.steelcase.com)

© 2003 Steelcase Inc.  
Grand Rapids, MI 49501  
U.S.A.

Printed in U.S.A.