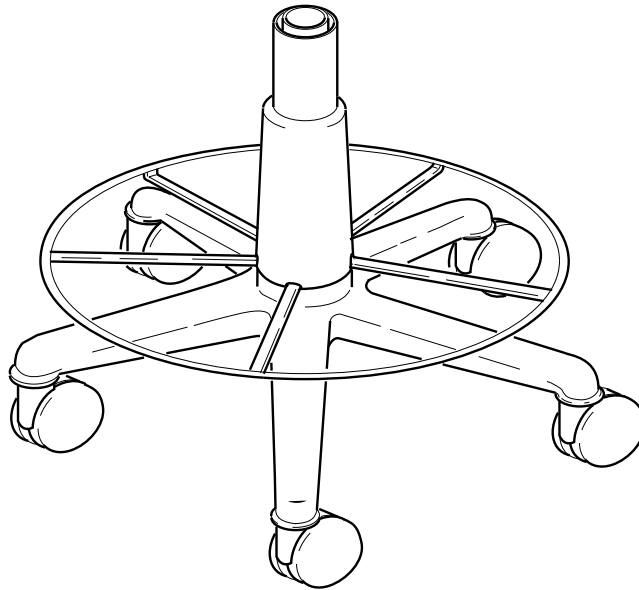
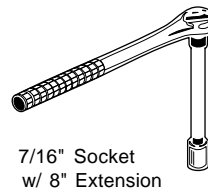
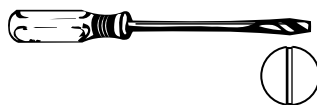


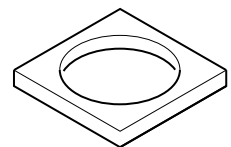
**453 Criterion® Stool Ring, Stool Base Replacement**  
(Models: 453-7400, 7410, 7420, 7430, 7500, 7510, 7520, 7530)



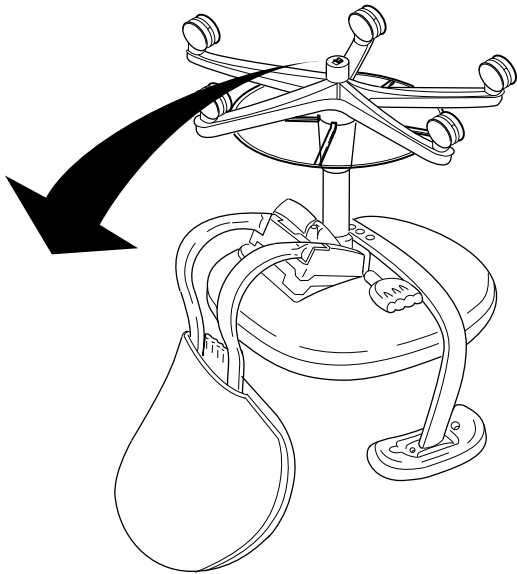
**Tools**



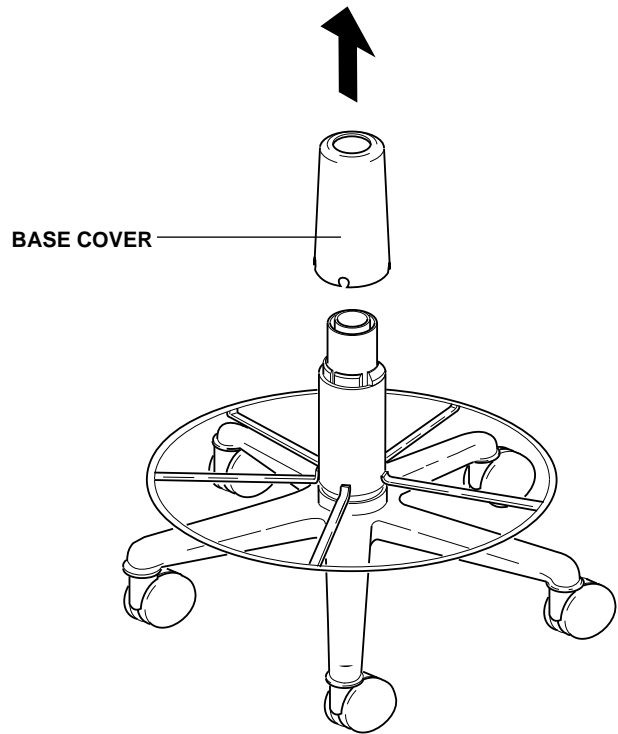
Installation  
Tool  
(P.N. 89-4532100)



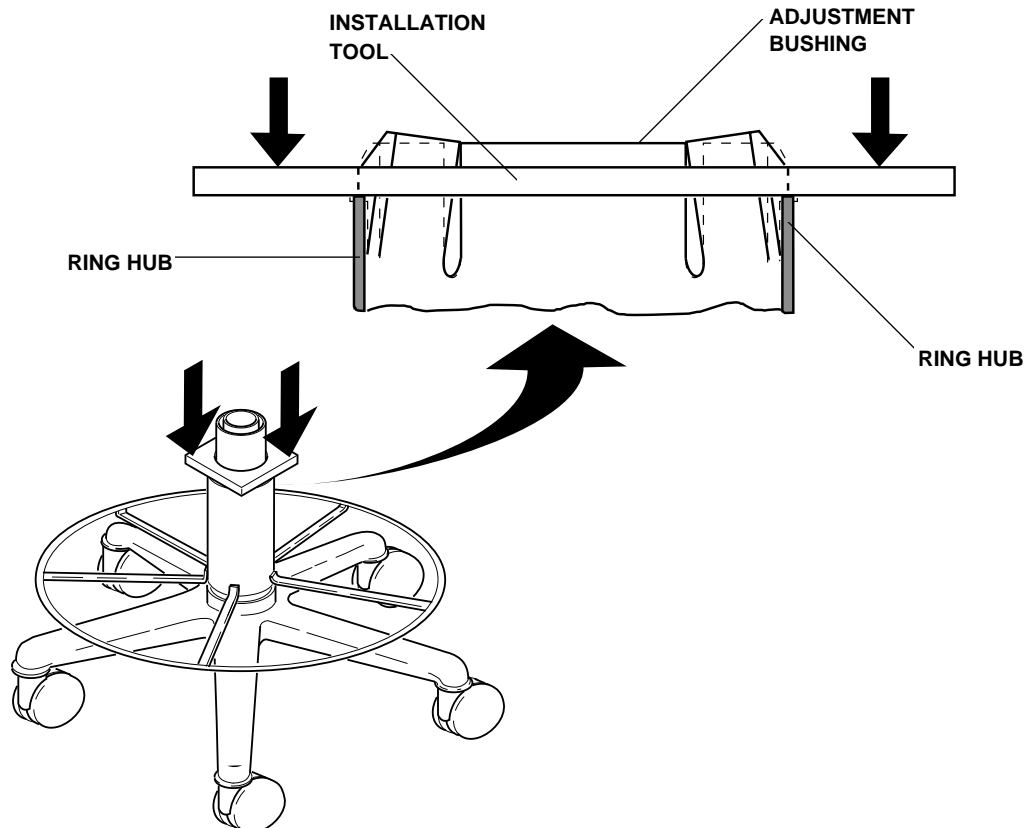
**1.** Turn stool upside down. Remove base.



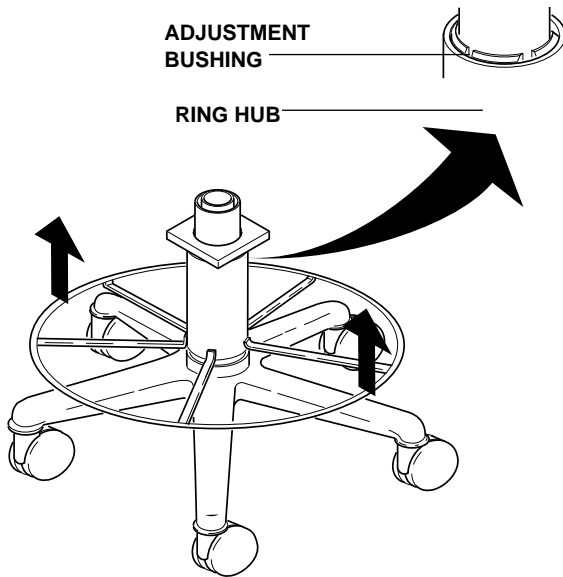
**2.** Remove base cover.



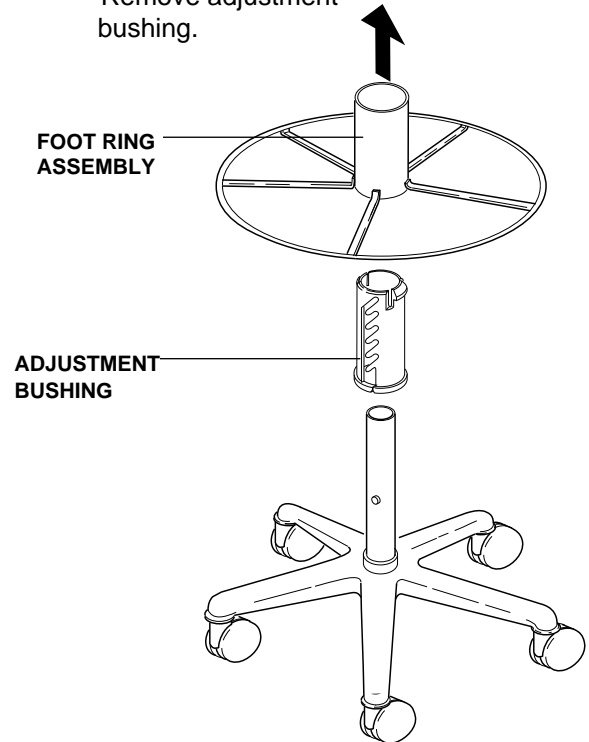
**3.** Push installation tool over adjustment bushing until tool is seated against ring hub.



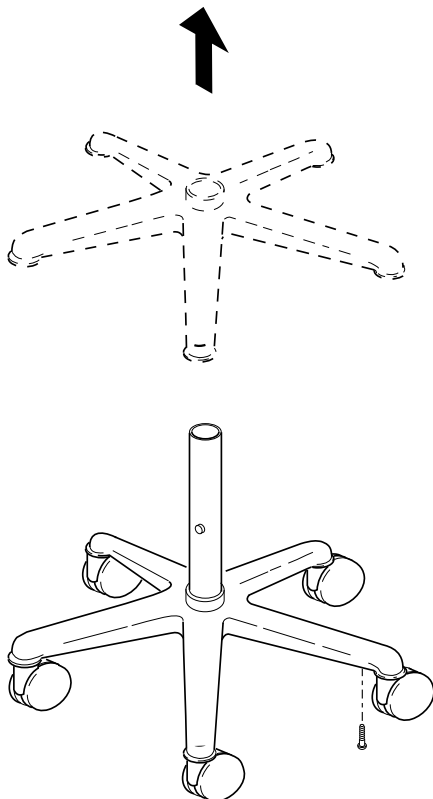
- 4.** Pull up on ring. Slide ring assembly over adjustment bushing.



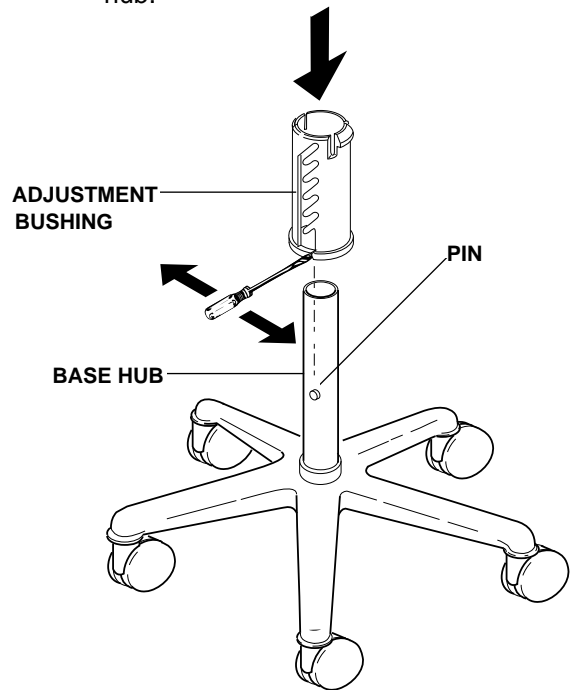
- 5.** Remove ring assembly. Remove adjustment bushing.



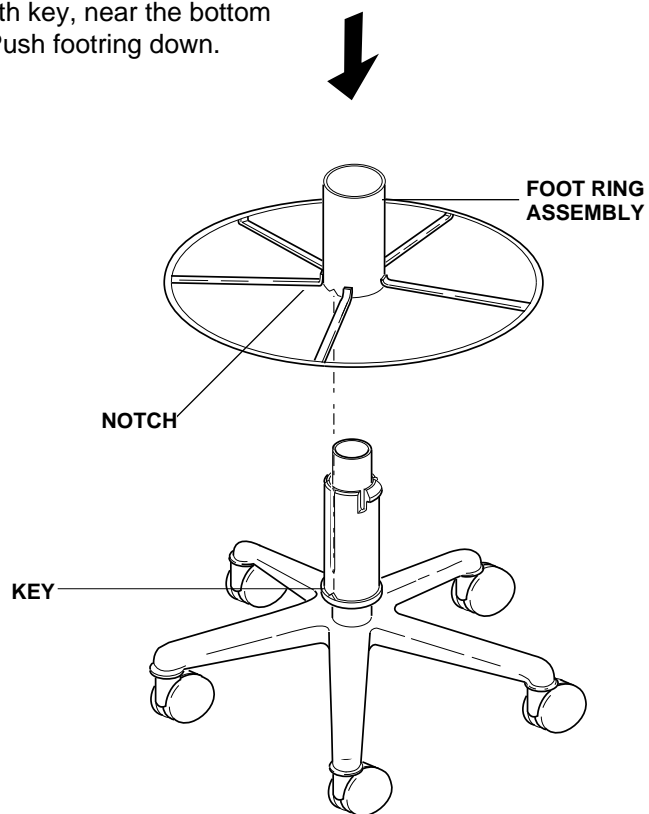
- 6.** Remove (5) screws. Remove base cap. Place base cap on new base. Insert screws, and tighten.



- 7.** Align notch in bottom of adjustment bushing with pin in base hub. Slide adjustment bushing down base hub. With flat blade screwdriver, gently pry adjustment bushing apart, until adjustment bushing slides over pin in base hub.



- 8.** Align notch in footring hub with key, near the bottom of the adjustment bushing. Push footring down.



- 9.** Reattach base to stool. Before tightening nut, be sure tabs on mounting bracket are seated in the washer.

