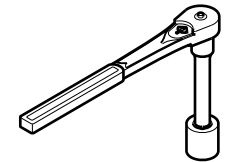
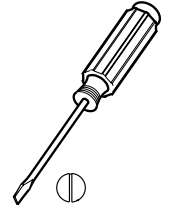
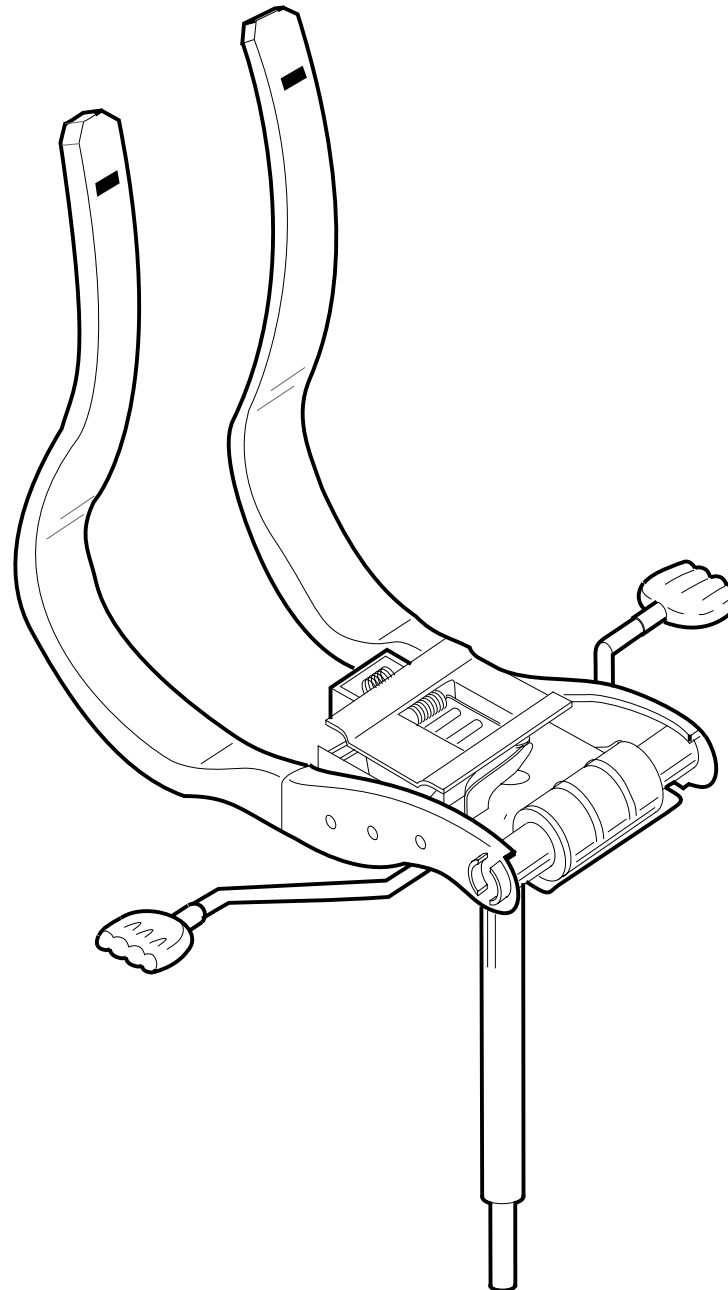
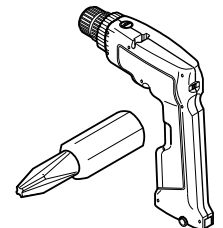


# 453 Criterion Chair Control Replacement



7/16" Socket



If you have a problem, question, or request, call your local dealer, or Steelcase Line 1 at **888.STEELCASE** (888.783.3522) for immediate action by people who want to help you.

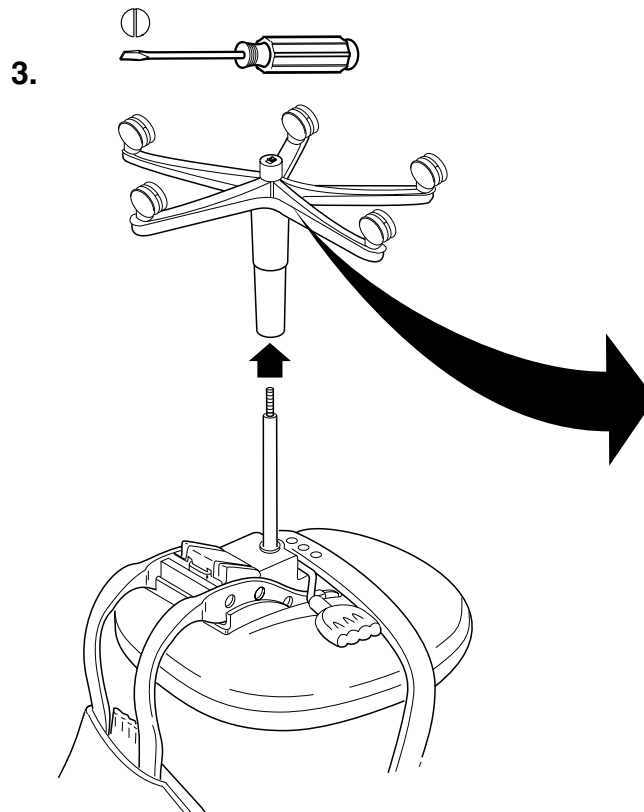
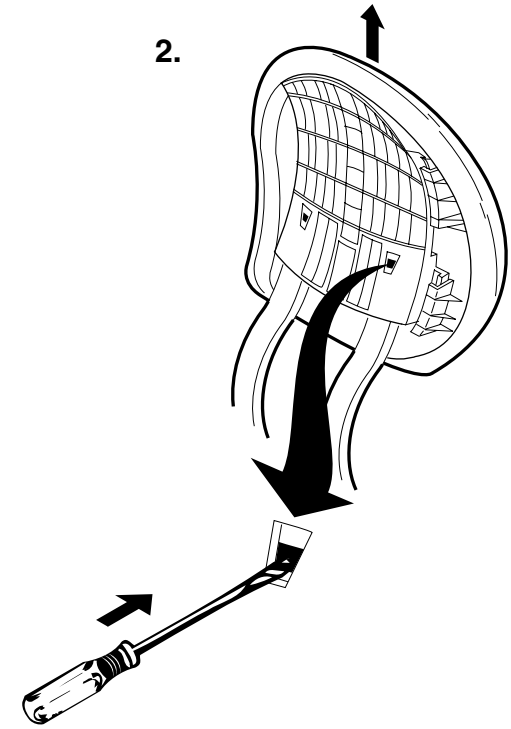
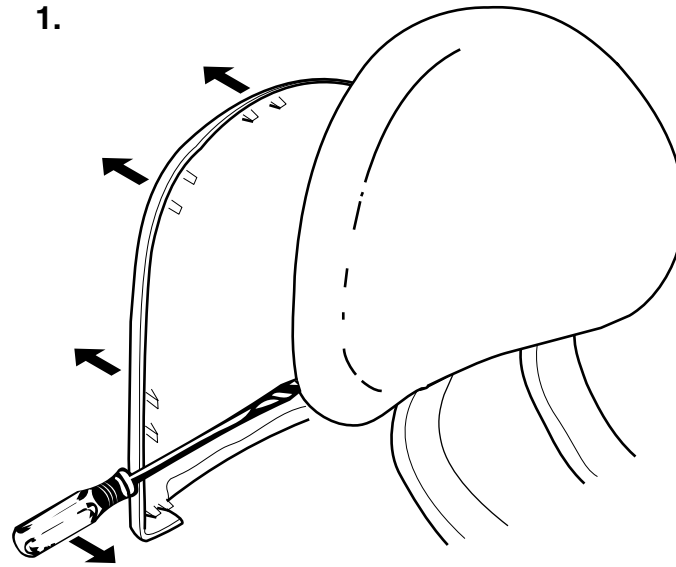
(Outside the U.S.A., Canada, Mexico, Puerto Rico, and the U.S. Virgin Islands, call: 1.616.247.2500)  
Or visit our website: [www.steelcase.com](http://www.steelcase.com)

© 2003 Steelcase Inc.  
Grand Rapids, MI 49501  
U.S.A.

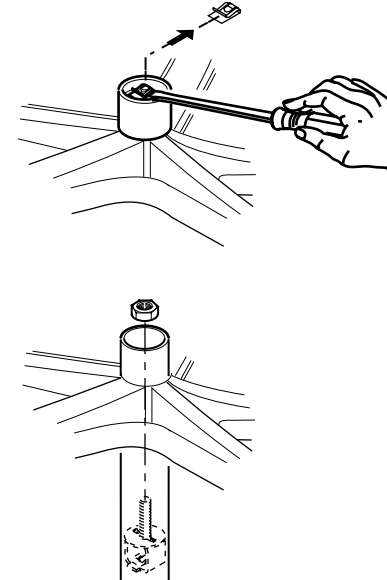
Printed in U.S.A.

# Steelcase

1. Remove back shell.
2. Release locking tabs and lift back off.
3. Remove base and telescopic bell.



Discard base retaining clip.



4. Remove cowl.

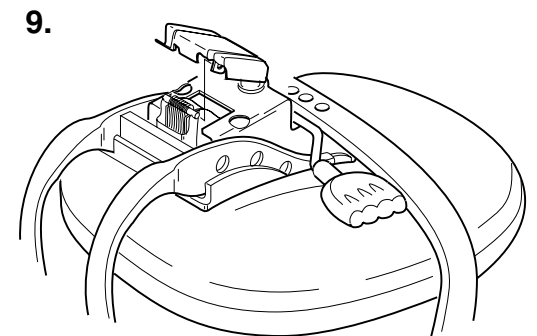
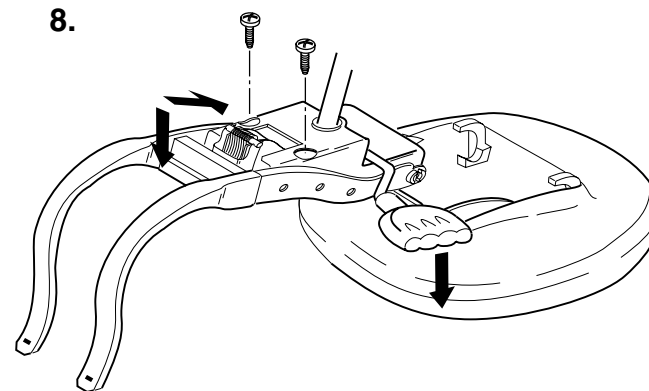
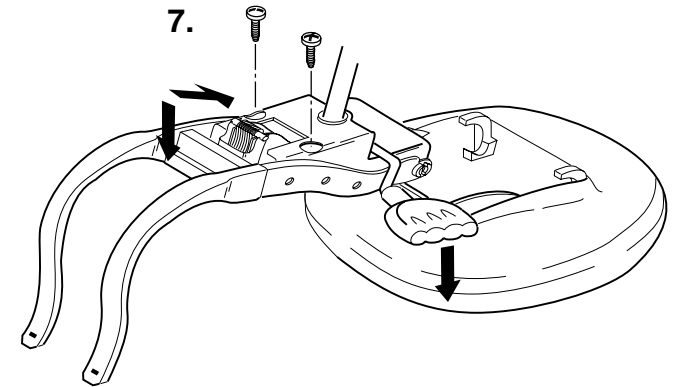
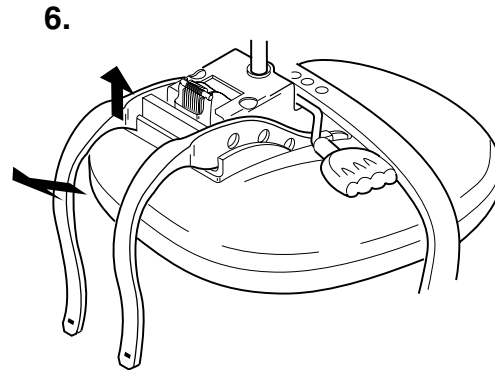
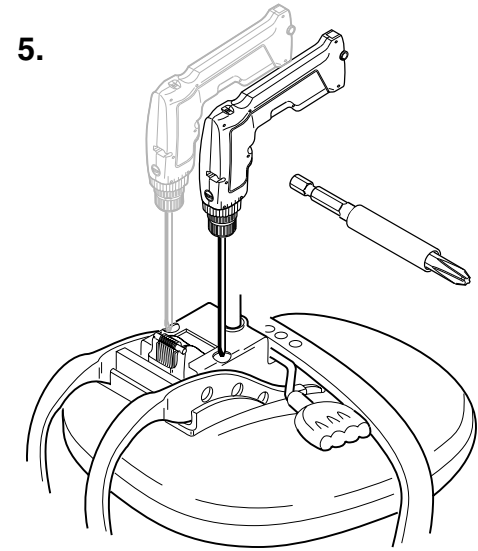
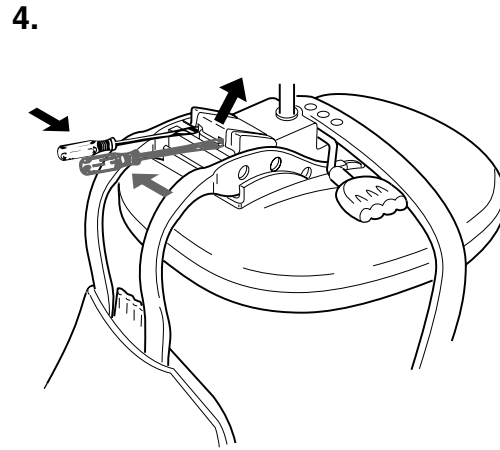
5. Remove two screws.

6. Pull seat control mechanism out and up.

7. Adjust seat control mechanism to open.

8. Insert new seat control mechanism and release handle to align screw holes. Replace screws and torque to 55 in-lbs.

9. Adjust seat control mechanism to open.



**10.** Replace telescopic bell base. Replace clip or nut and make sure tabs are seated in washer before tightening.

**11.** Replace back shell.

**12.** Align back with support rails. Push down until locking tabs engage.

