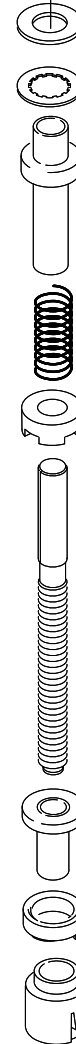
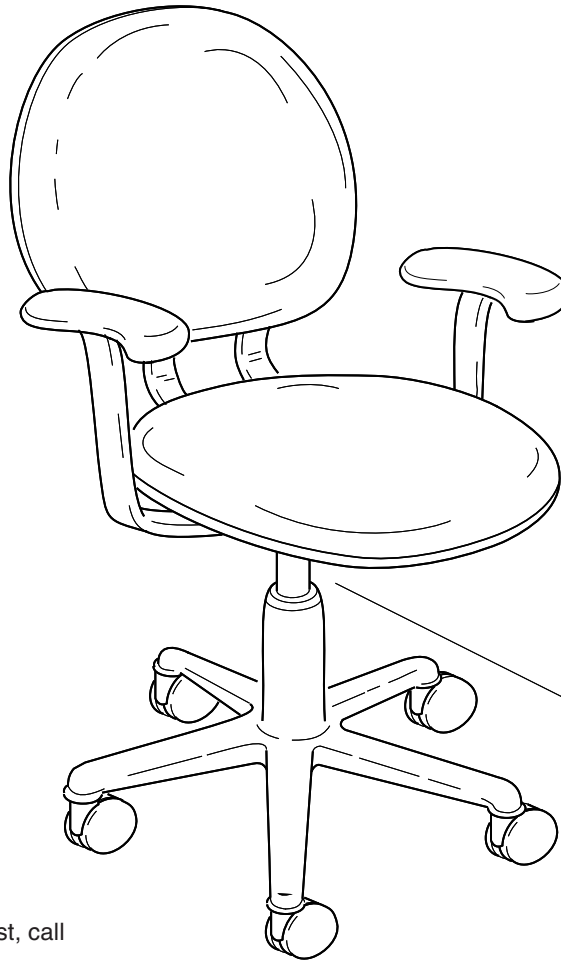


Steelcase®

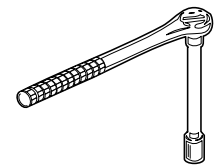
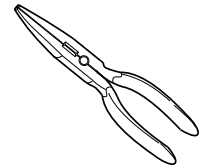
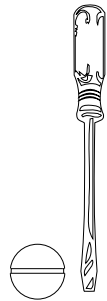
453 Criterion® Twist-O-Matic Height Control Replacement



Tools



Retainer Installation
Tool PN 89-3345810



7/16" Socket with
8" Extension

If you have a problem, question, or request, call your local dealer, or Steelcase Line 1 at **888.STEELCASE** (888.783.3522) for immediate action by people who want to help you.

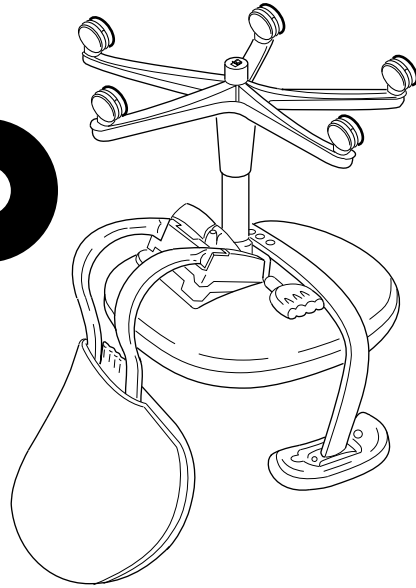
(Outside the U.S.A., Canada, Mexico, Puerto Rico, and the U.S. Virgin Islands, call: 1.616.247.2500)

Or visit our website: www.steelcase.com

© 2000 Steelcase Inc.
Grand Rapids, MI 49501
U.S.A.

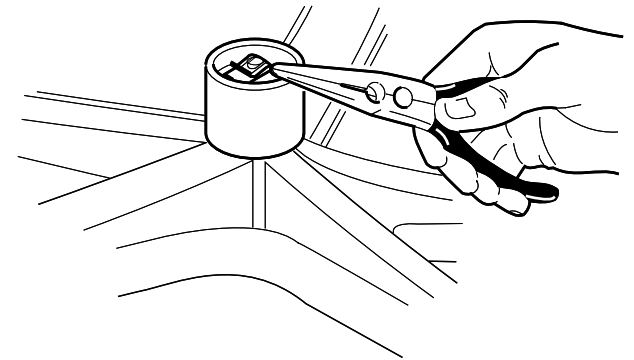
Printed in U.S.A.

1.

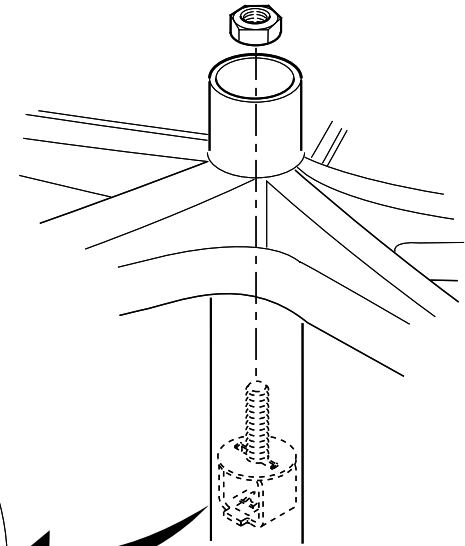


2.

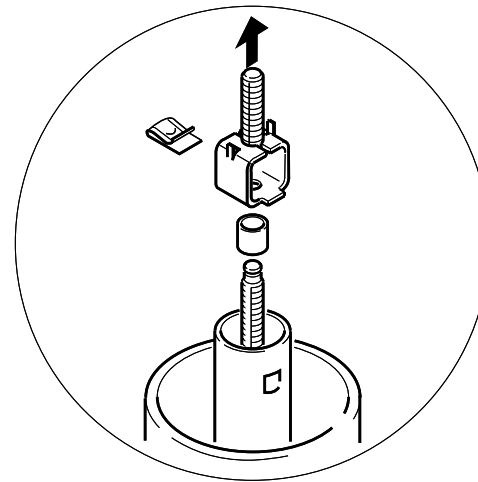
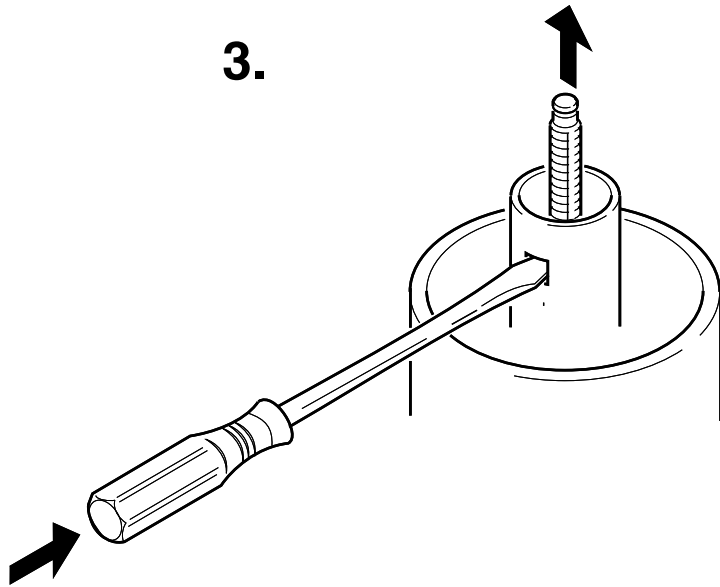
Standard Base



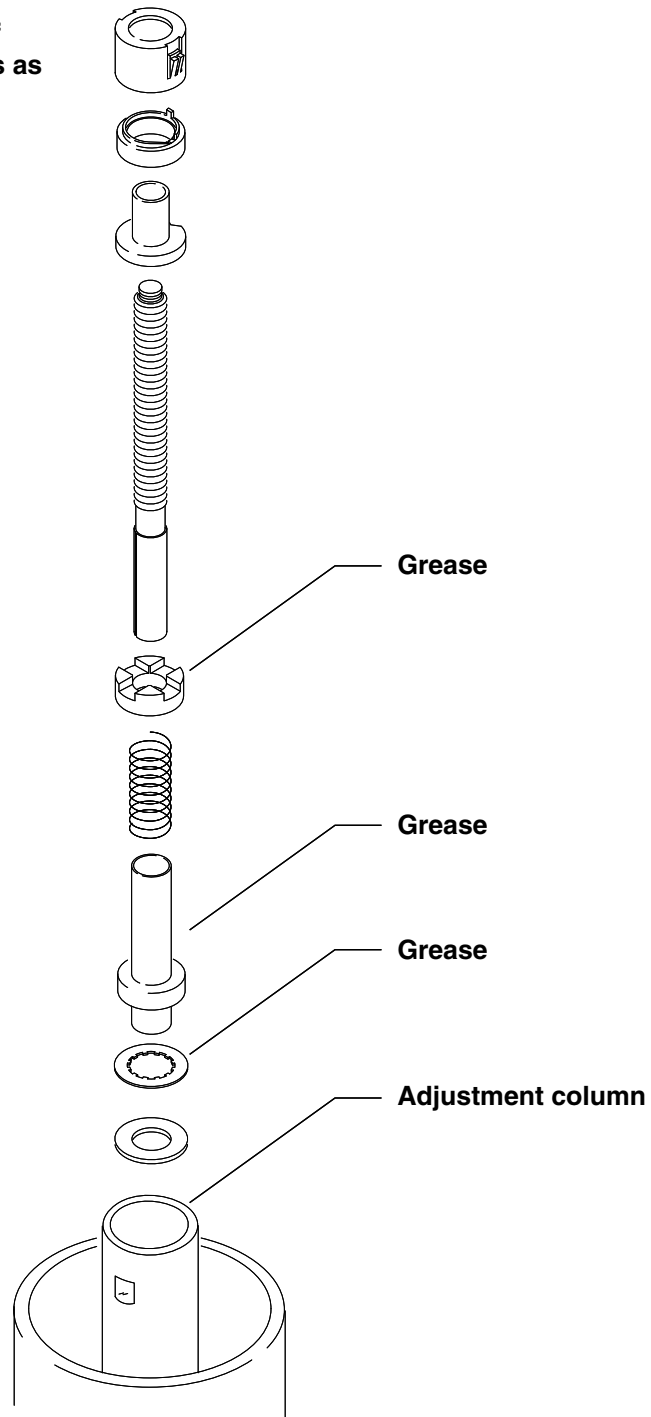
Stool Base



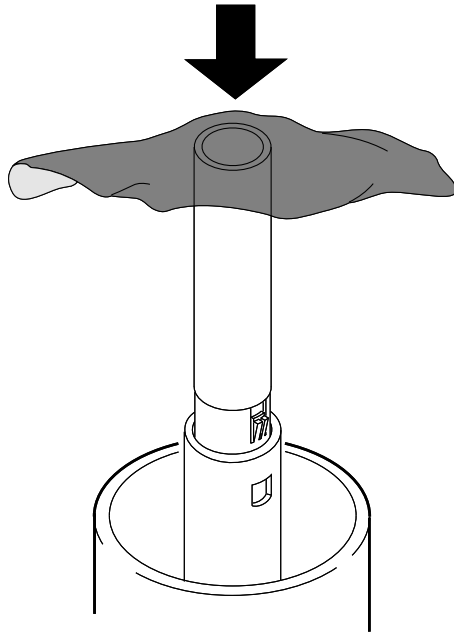
3.



- 4.** Remove internal parts. Clean inside of adjustment column. Grease new parts as shown and reassemble.

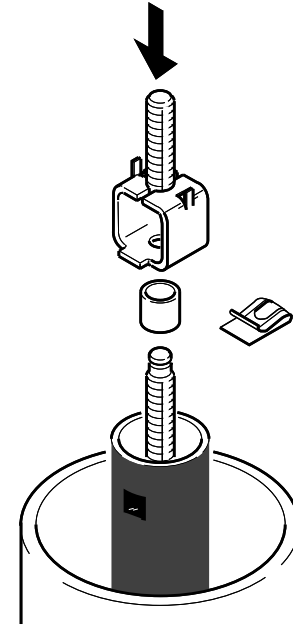


5.

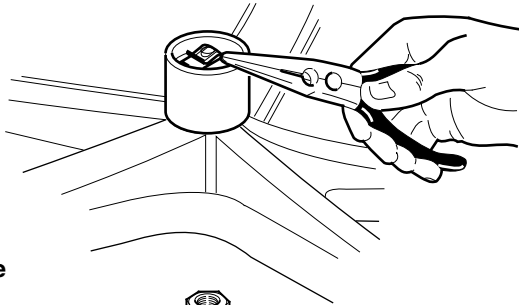


6.

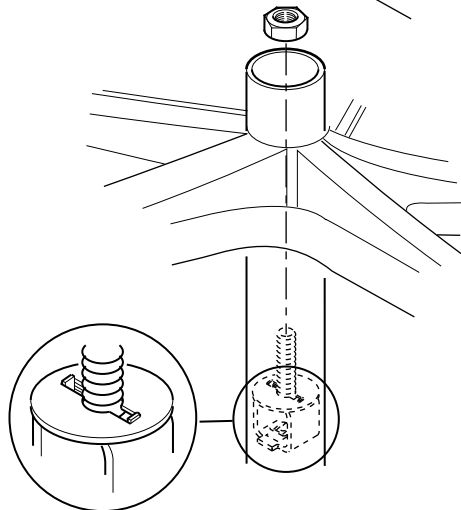
Stool Base



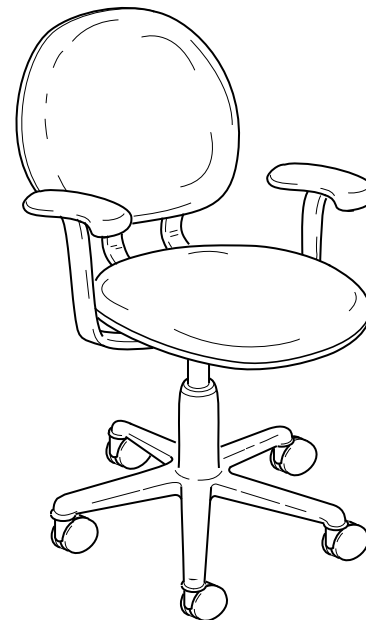
7.



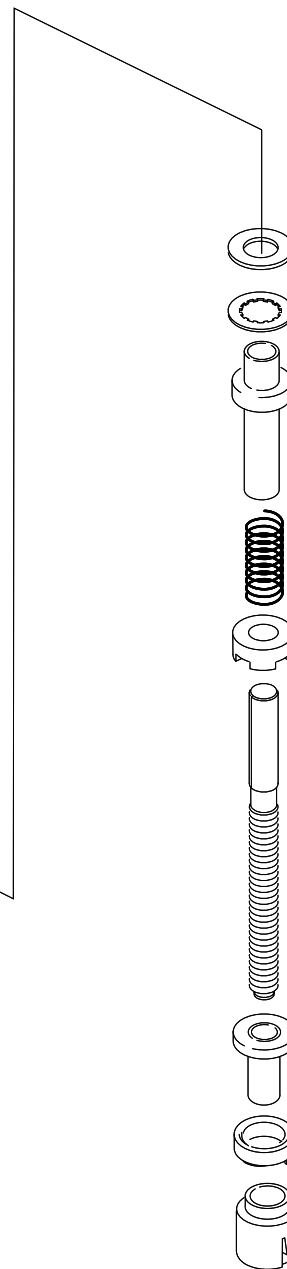
Standard Base



8.



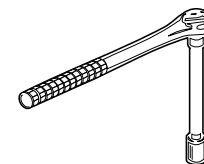
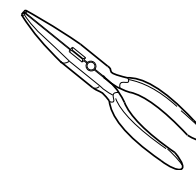
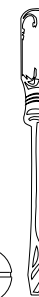
Remplacement du Twist-O-Matic (pivot automatique) de commande de hauteur du Criterion® 453



Outils



Installation de la
colonne de maintien
Outil PN 89-3345810



Douille de 7/16
de po d'une
élongation de 8 po

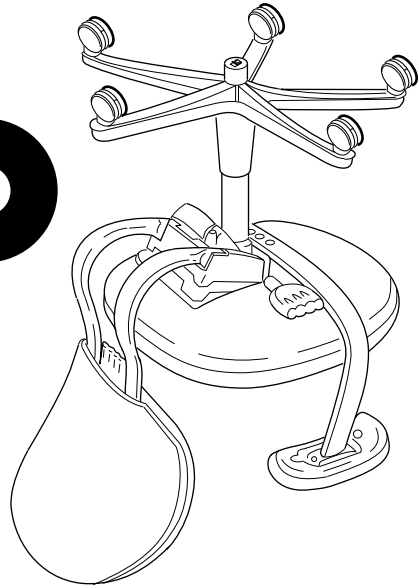
If you have a problem, question, or request, call your local dealer, or Steelcase Line 1 at **888.STEELCASE** (888.783.3522) for immediate action by people who want to help you.

(Outside the U.S.A., Canada, Mexico, Puerto Rico, and the U.S. Virgin Islands, call: 1.616.247.2500)
Or visit our website: www.steelcase.com

© 2000 Steelcase Inc.
Grand Rapids, MI 49501
U.S.A.

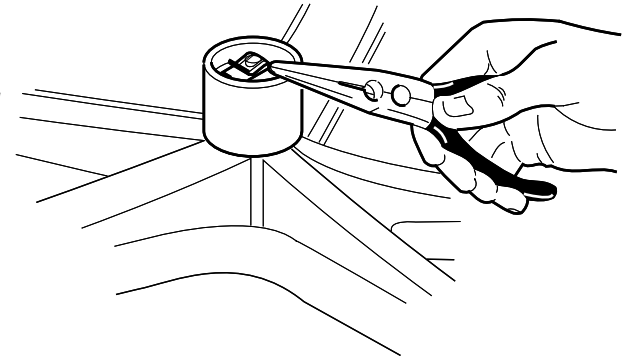
Imprime aux Etats-Unis d'Amerique

1.

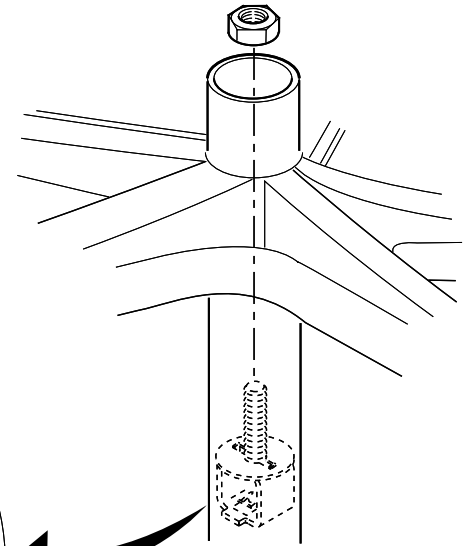


2.

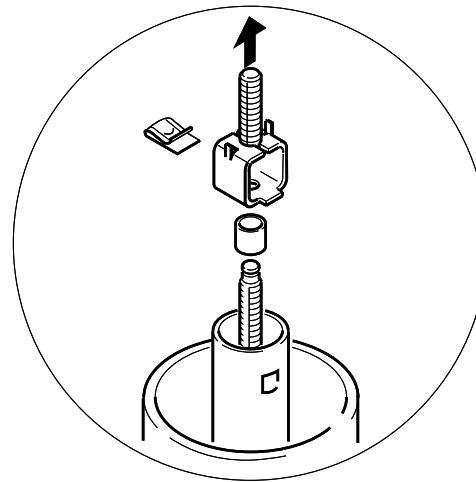
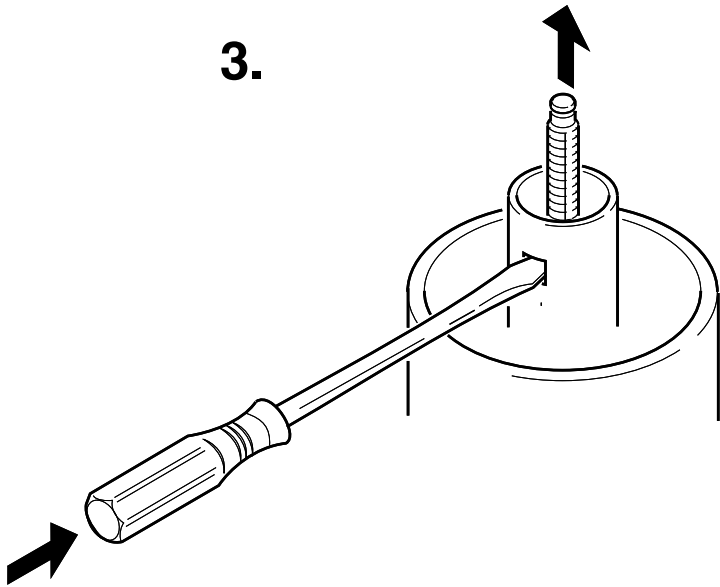
Socle standard



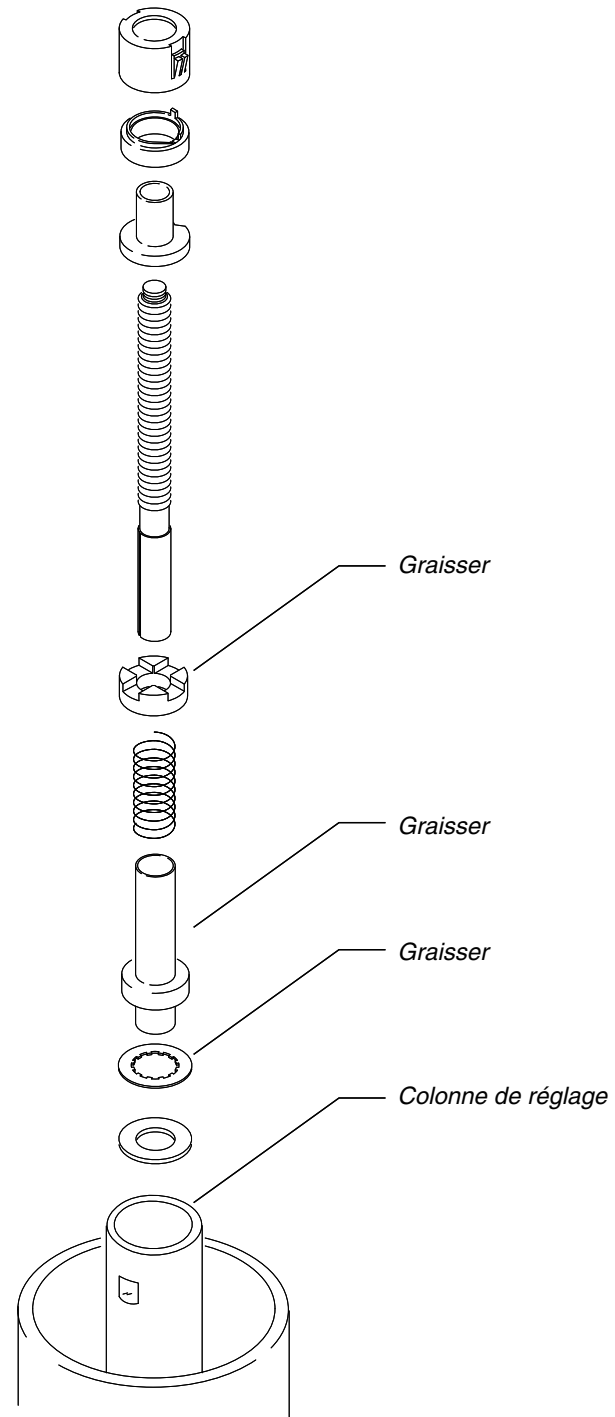
Socle de tabouret



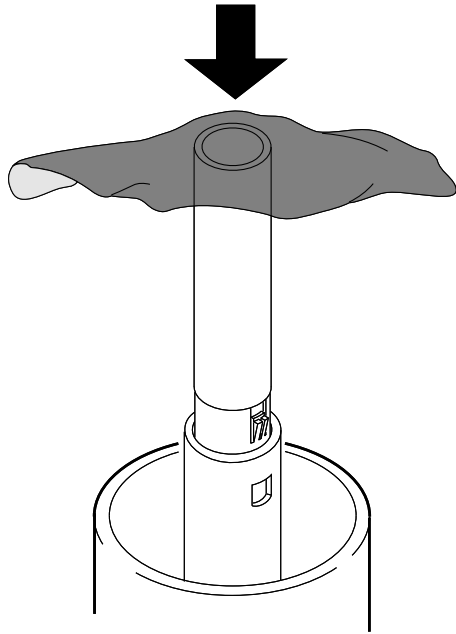
3.



4. Démontez les pièces internes. Nettoyez l'intérieur de la colonne de réglage. Graissez les pièces neuves comme illustré et remonter.

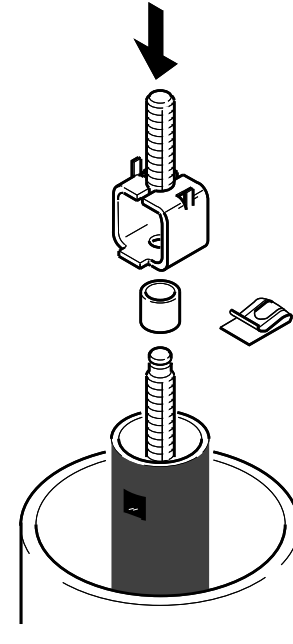


5.

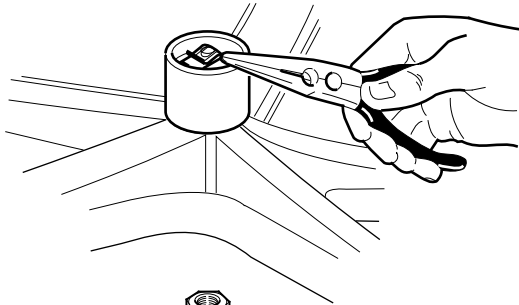


6.

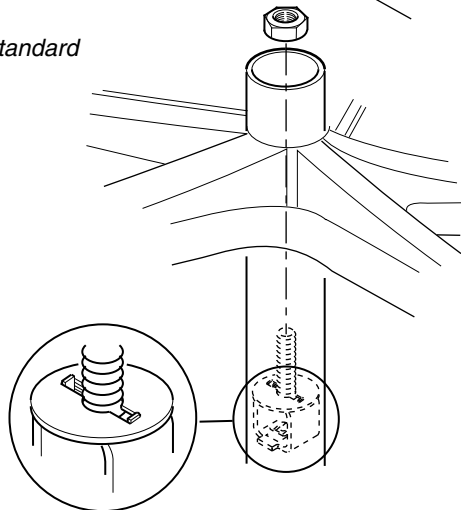
Socle de tabouret



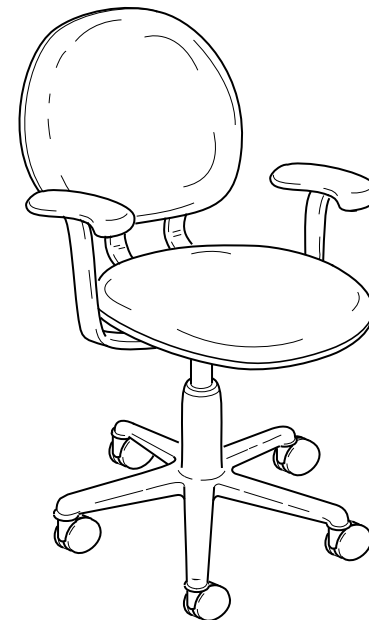
7.



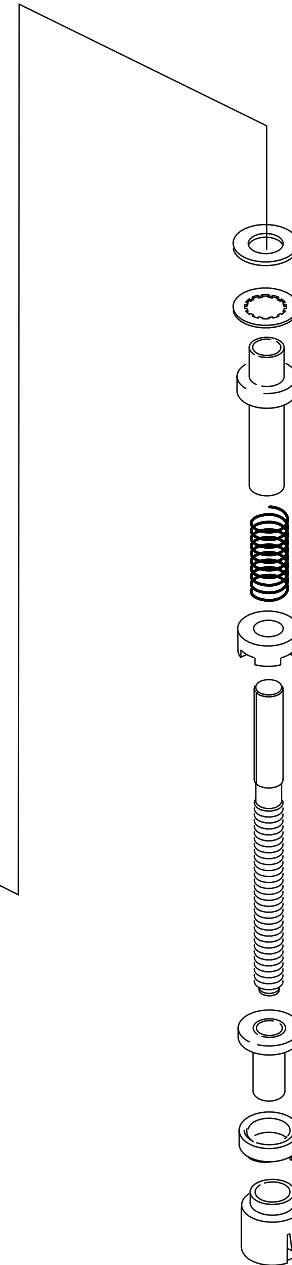
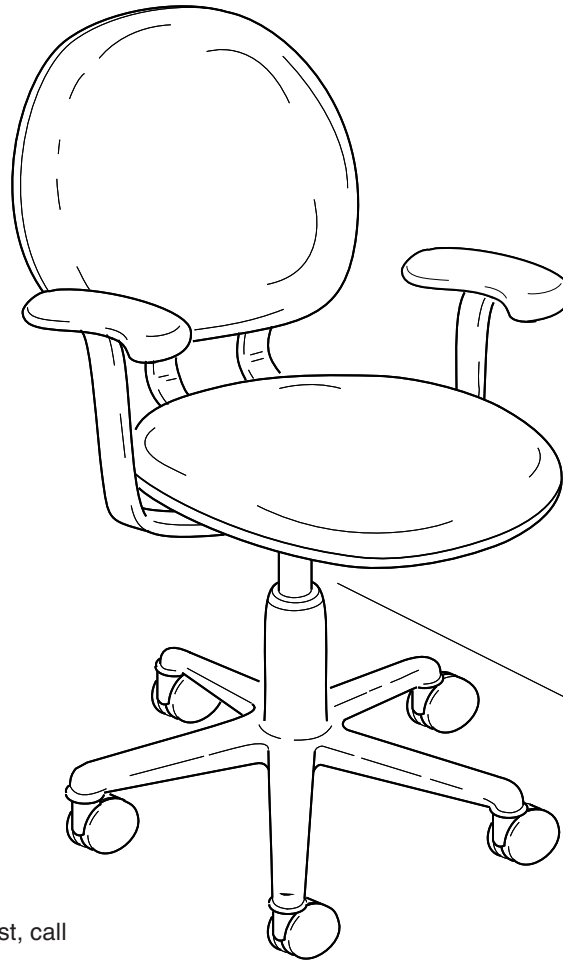
Socle standard



8.



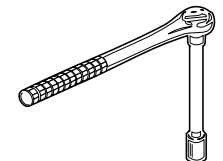
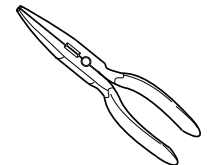
Repuesto del control de altura del Twist-O-Matic del Criterion® 453



Herramientas



Instalación del
retenedor
Herramienta
PN 89-3345810



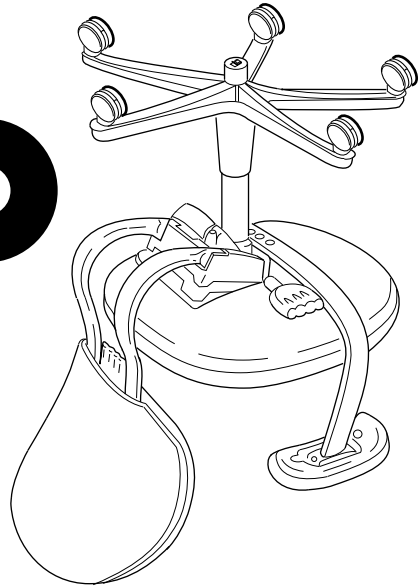
Receptáculo de
7/16 de Pulg. con
extensión de 8 Pulg.

If you have a problem, question, or request, call your local dealer, or Steelcase Line 1 at **888.STEELCASE** (888.783.3522) for immediate action by people who want to help you.

(Outside the U.S.A., Canada, Mexico, Puerto Rico, and the U.S. Virgin Islands, call: 1.616.247.2500)
Or visit our website: www.steelcase.com

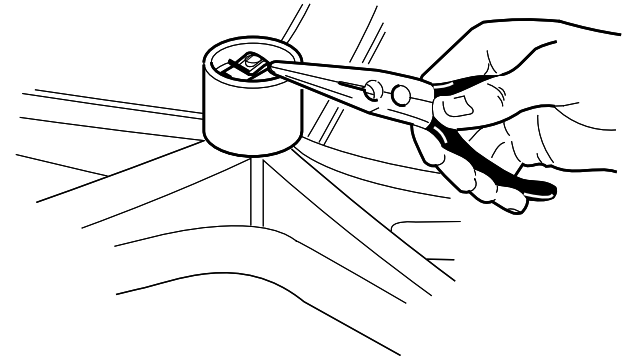
© 2000 Steelcase Inc.
Grand Rapids, MI 49501
U.S.A.
Impreso en EE.UU.

1.

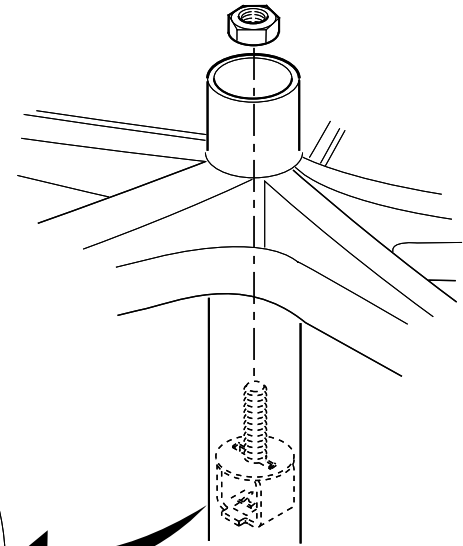


2.

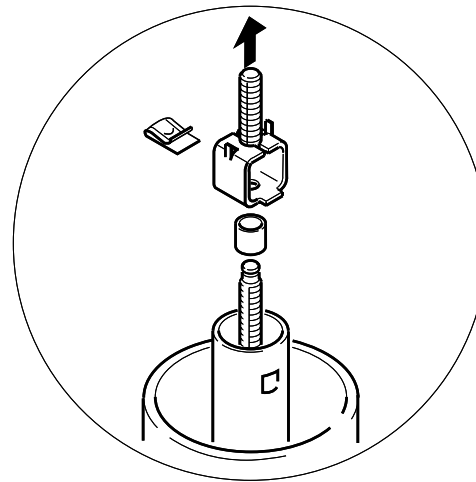
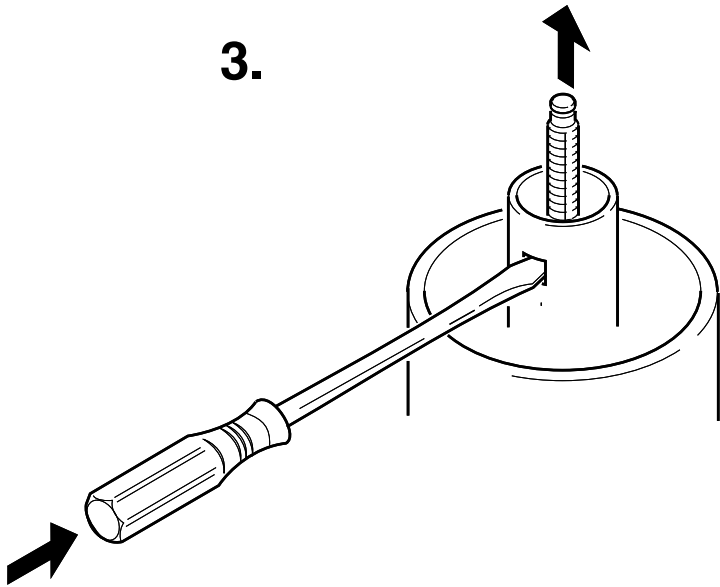
Base Estándar



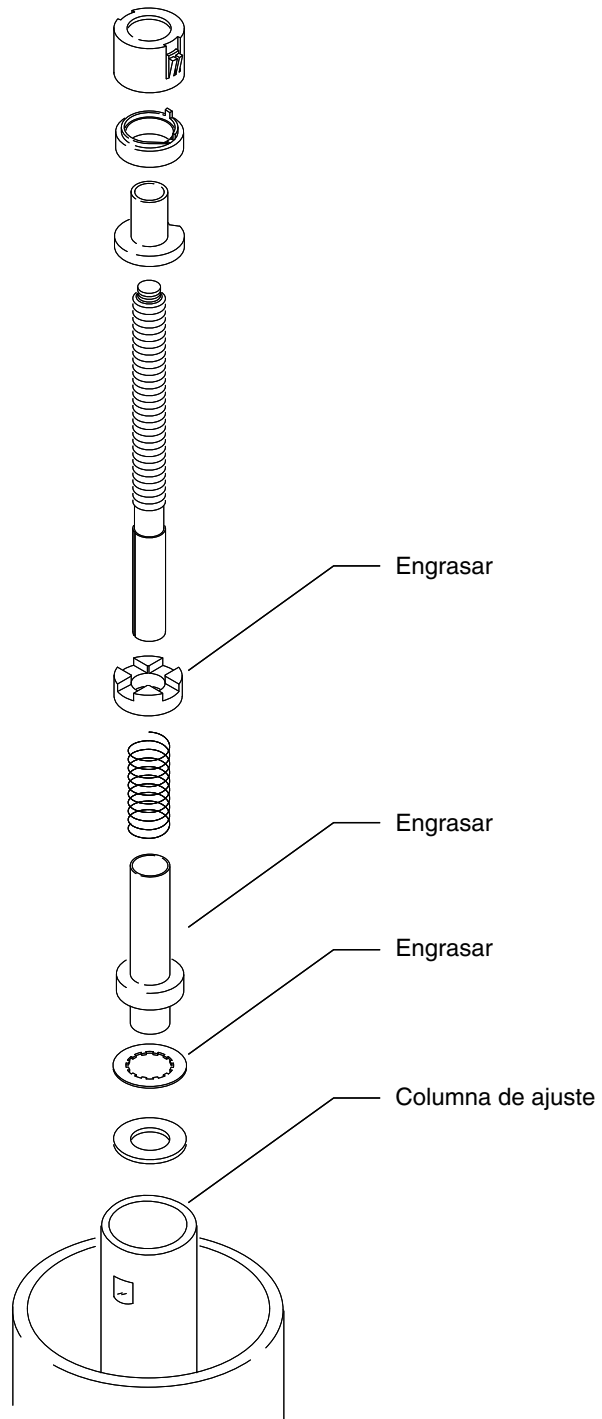
Base del taburete



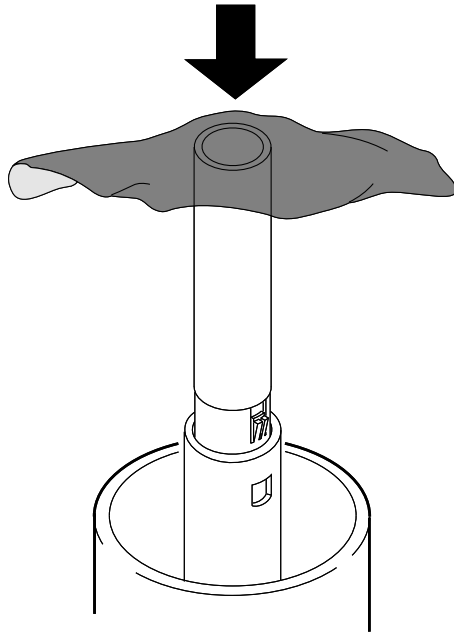
3.



4. Quite las partes internas. Limpie el interior de la columna de ajuste. Engrase las partes nuevas, como se indica y móntelas de nuevo.

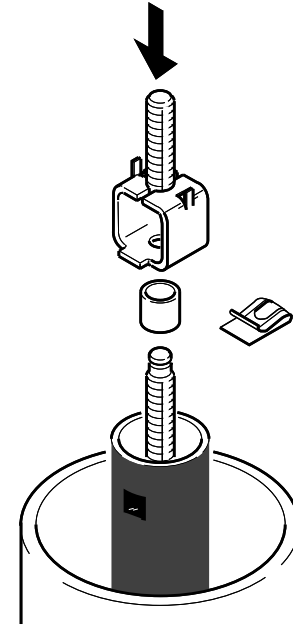


5.

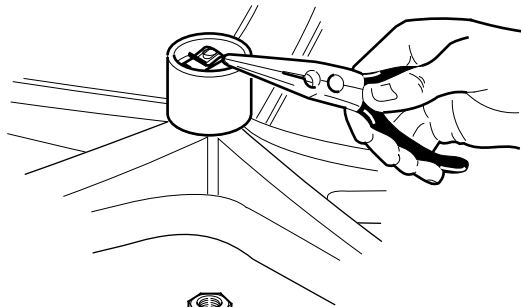


6.

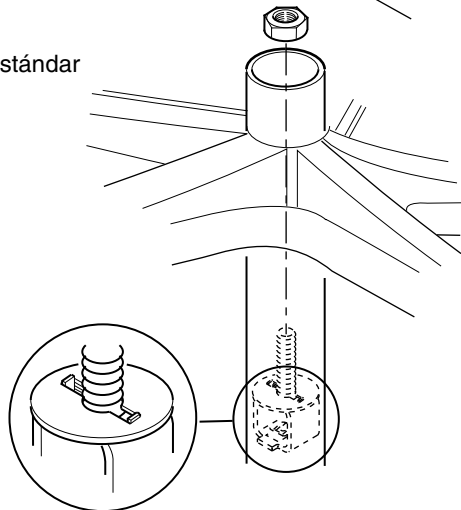
Base del taburete



7.



Base Estándar



8.

