

If you have a problem, question, or request, call your local dealer, or Steelcase Line 1 at **888.STEELCASE** (888.783.3522) for immediate action by people who want to help you.

(Outside the U.S.A., Canada, Mexico, Puerto Rico, and the U.S. Virgin Islands, call: 1.616.247.2500)
Or visit our website: www.steelcase.com

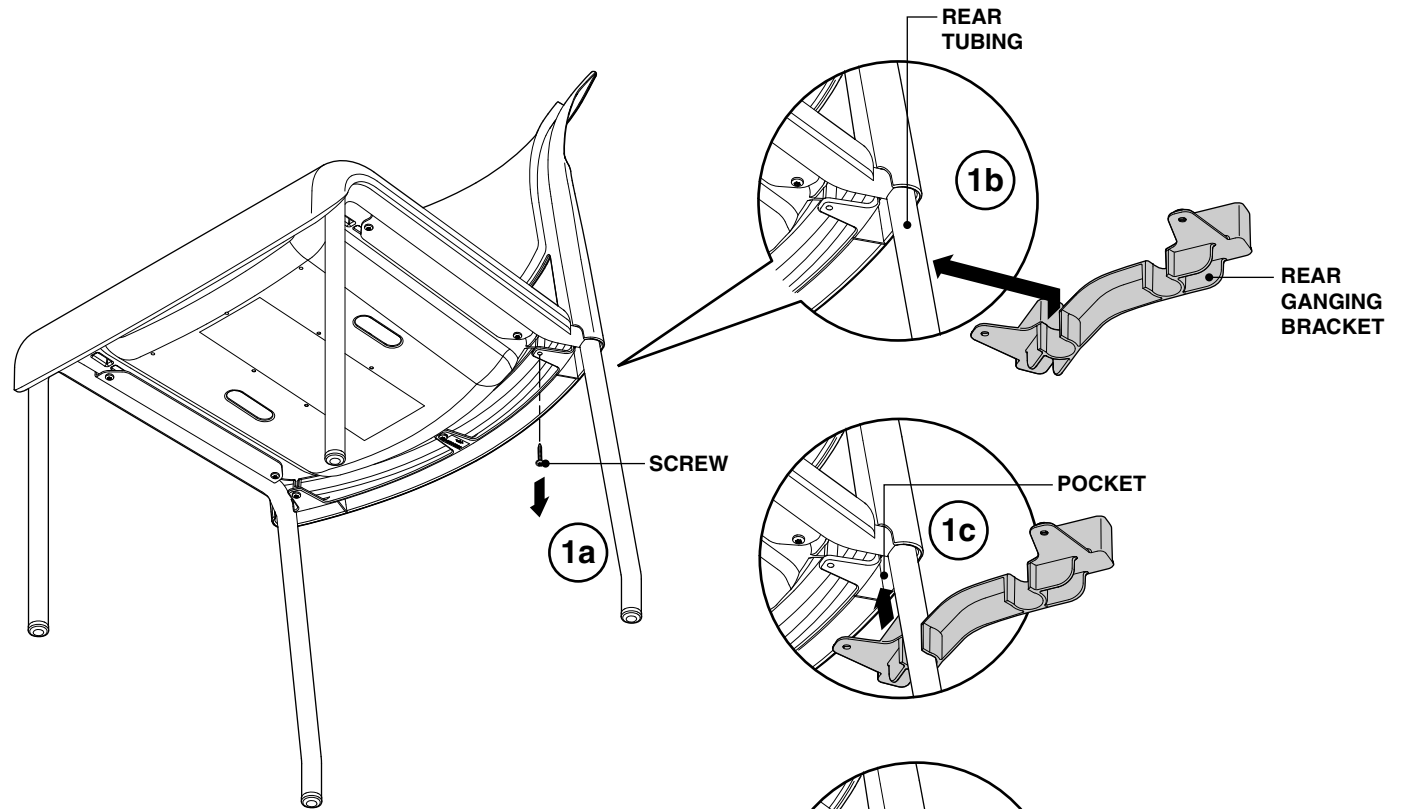
© 2007 Steelcase Inc.
Grand Rapids, MI 49501
U.S.A.

Printed in U.S.A.

Installing the ganging bracket in a fastened position

1. Remove the rear screw (1a) and snap the rear ganging bracket onto the rear tubing of the chair frame (1b). Slide upwards into pocket (1c).
2. Reinstall the screw at the rear of the chair.
3. Snap the front ganging bracket onto the front tubing of the chair frame and slide upwards into position.

Repeat for next attaching chair.



Installing the ganging bracket in a flexible position

Snap the rear ganging bracket onto the rear tubing of the chair frame. Slide upwards into pocket, installing it on top of the rear screw head.

Snap the front ganging bracket onto the front tubing of the chair frame and slide upwards into position. (Same as step 3 above)

