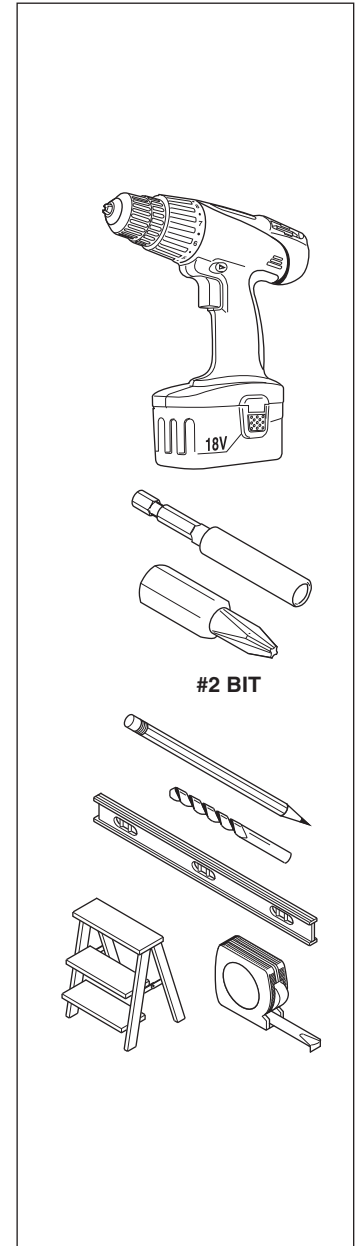


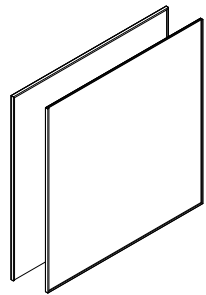
If you have a problem, question, or request, call your local dealer, or Steelcase Line 1 at **888.STEELCASE** (888.783.3522) for immediate action by people who want to help you. (Outside the U.S.A., Canada, Mexico, Puerto Rico, and the U.S. Virgin Islands, call: 1.616.247.2500) Or visit our website: [www.steelcase.com](http://www.steelcase.com)

© 2008 Steelcase Inc.  
Grand Rapids, MI 49501  
U.S.A.  
Printed in U.S.A.

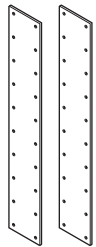


#2 BIT

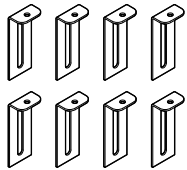
## Materials List



Markerboards



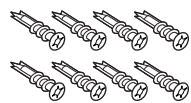
Connector  
Brackets



Mounting Clips



Screws



Optional Anchors



Mounting Clip Screws

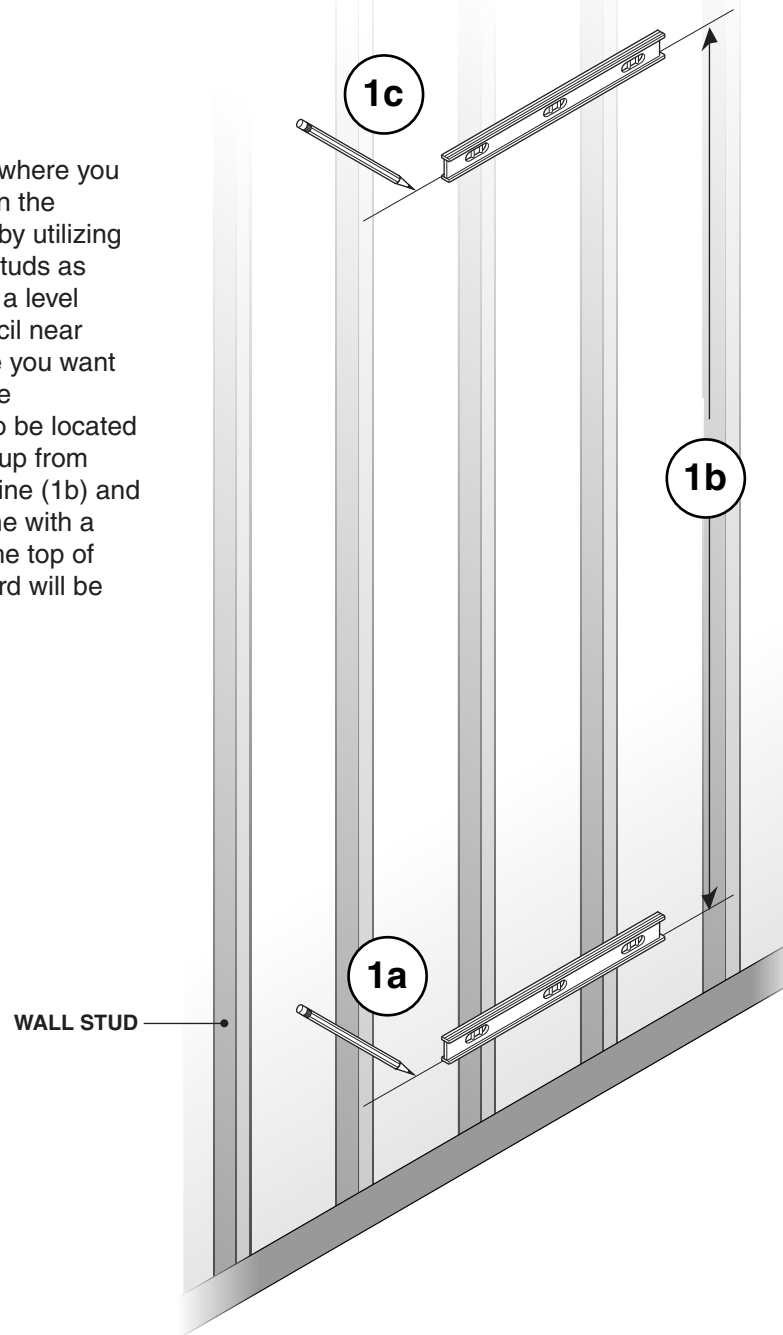


Spline

**NOTE:**

Quantity of hardware will vary per product because of the various widths.

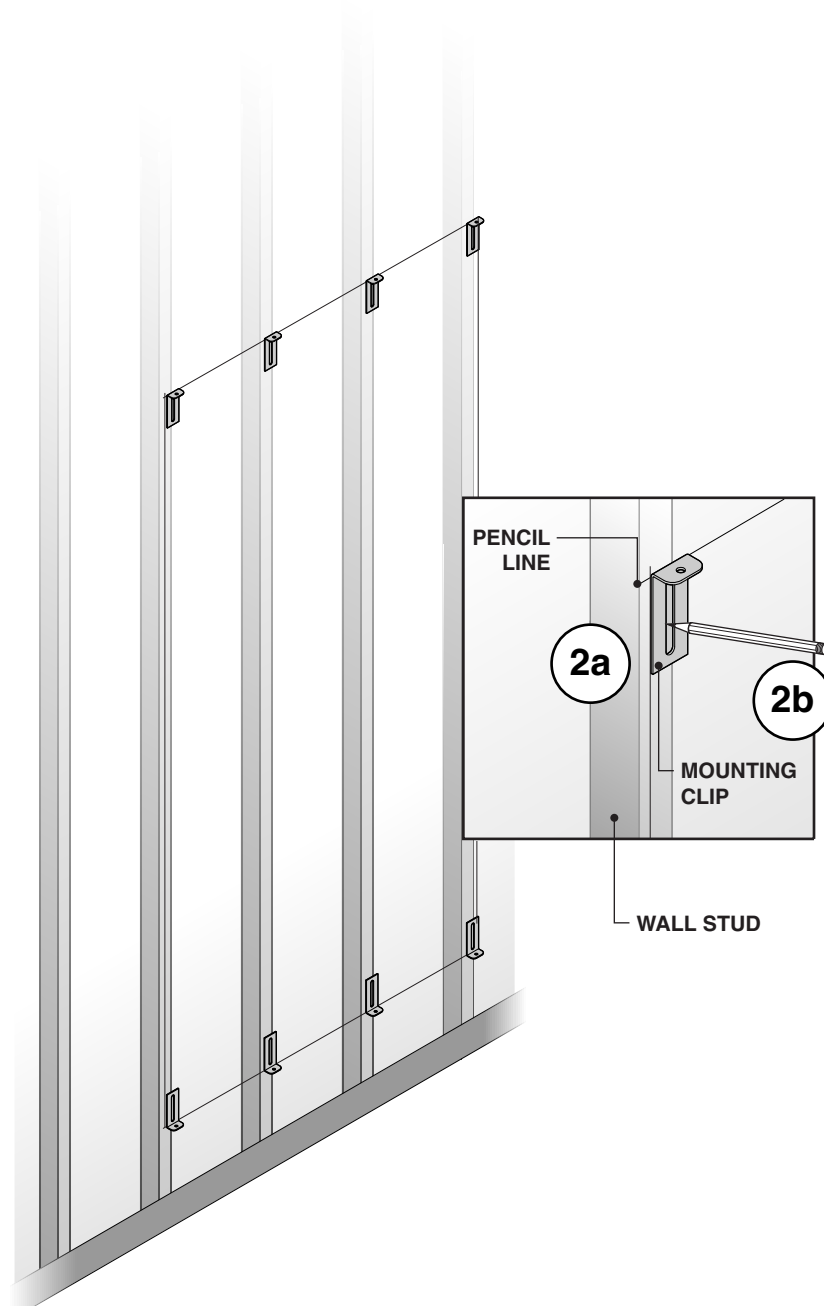
**1.** Determine where you want to position the markerboards by utilizing as many wall studs as possible. Mark a level line with a pencil near the floor where you want to bottom of the markerboard to be located (1a). Measure up from bottom pencil line (1b) and mark a level line with a pencil where the top of the markerboard will be located (1c).



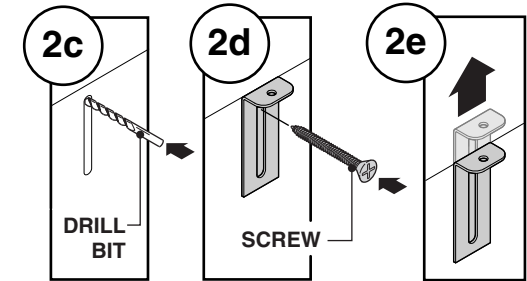
**2.** Place mounting clips onto wall at the nearest available stud with a spacing of 16" to 18" (2a) and trace oblong hole with pencil (2b). Remove mounting clips.

For each top mounting clip drill hole at top of oblong pencil mark to allow for future adjustment (2c). Place mounting clips back onto wall and secure with screw making sure not to fully tighten (2d). Pull each top mounting clip up slightly to allow room for markerboard to be installed (2e).

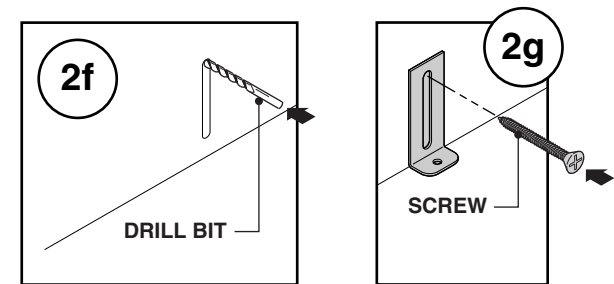
For each bottom mounting clip, drill hole at top of oblong pencil mark (2f) and secure with screw (2g).



## TOP MOUNTING CLIP INSTALLATION

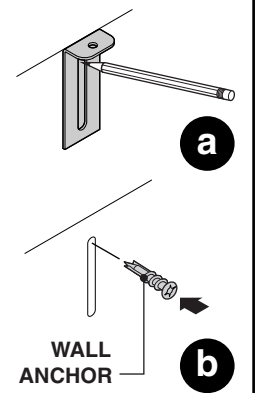


## BOTTOM MOUNTING CLIP INSTALLATION

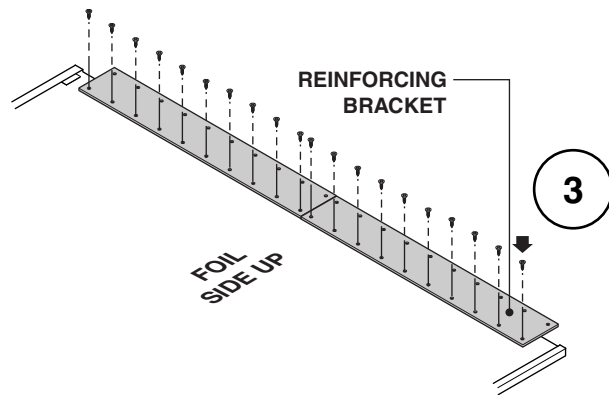


## IF A STUD IS NOT AVAILABLE INSTALL WALL ANCHOR

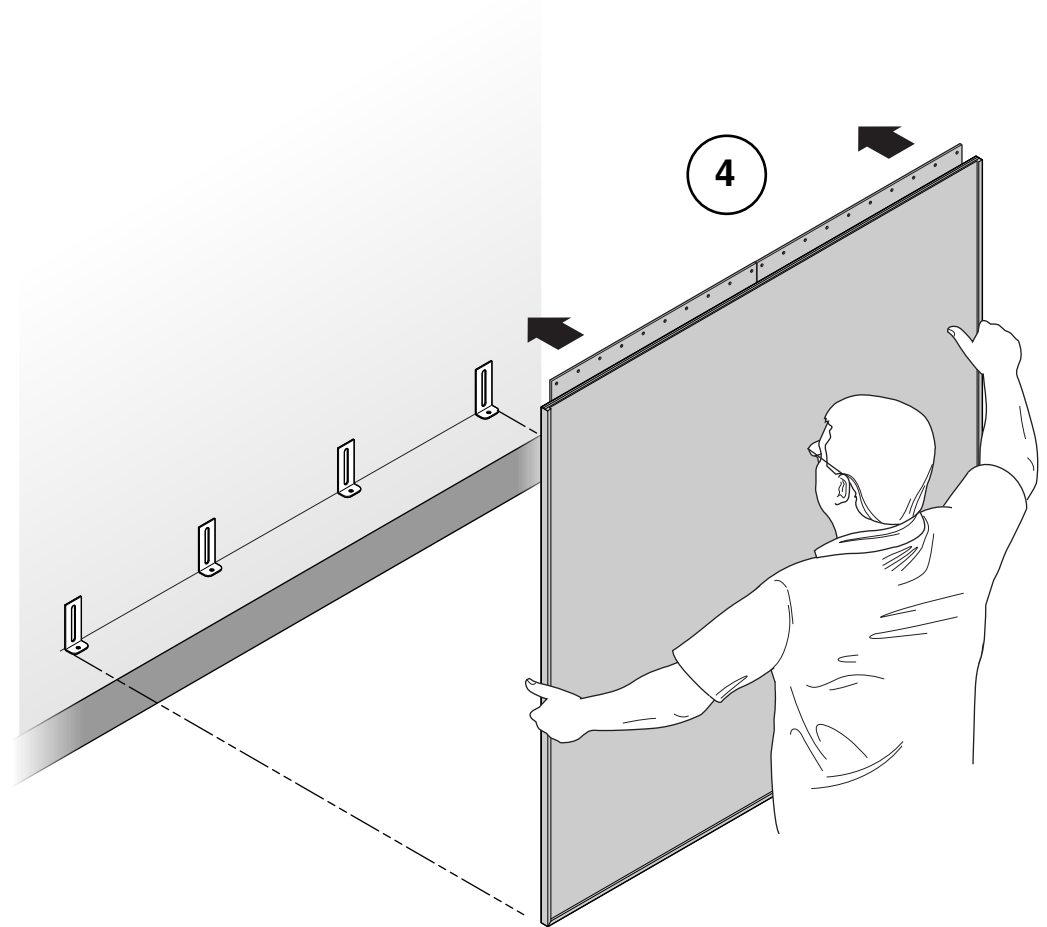
Place mounting clip onto wall and trace oblong hole (a). Remove mounting clip and install wall anchor (b). Place mounting clip back onto wall. Secure mounting clip to wall using screw.



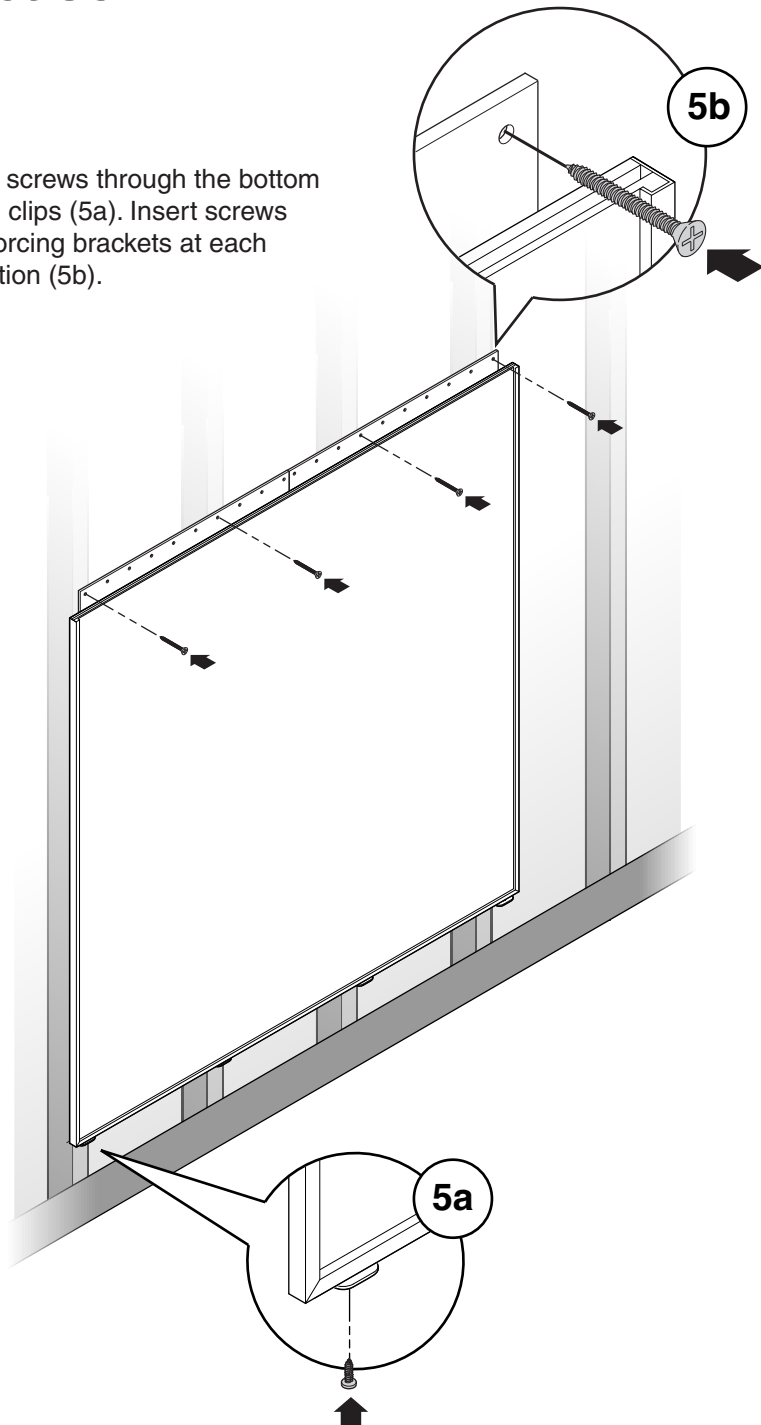
**3.** Lower reinforcing brackets onto the open end of the markerboard and attach with screws.



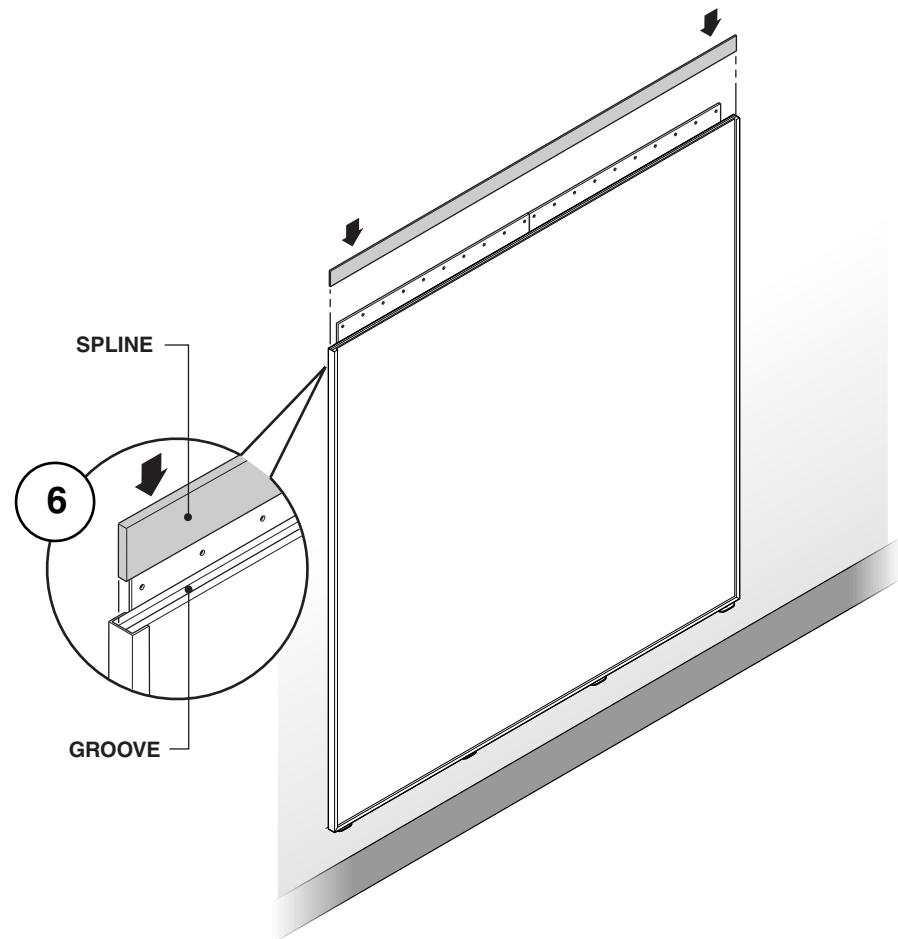
**4.** Position bottom markerboard onto bottom clips.



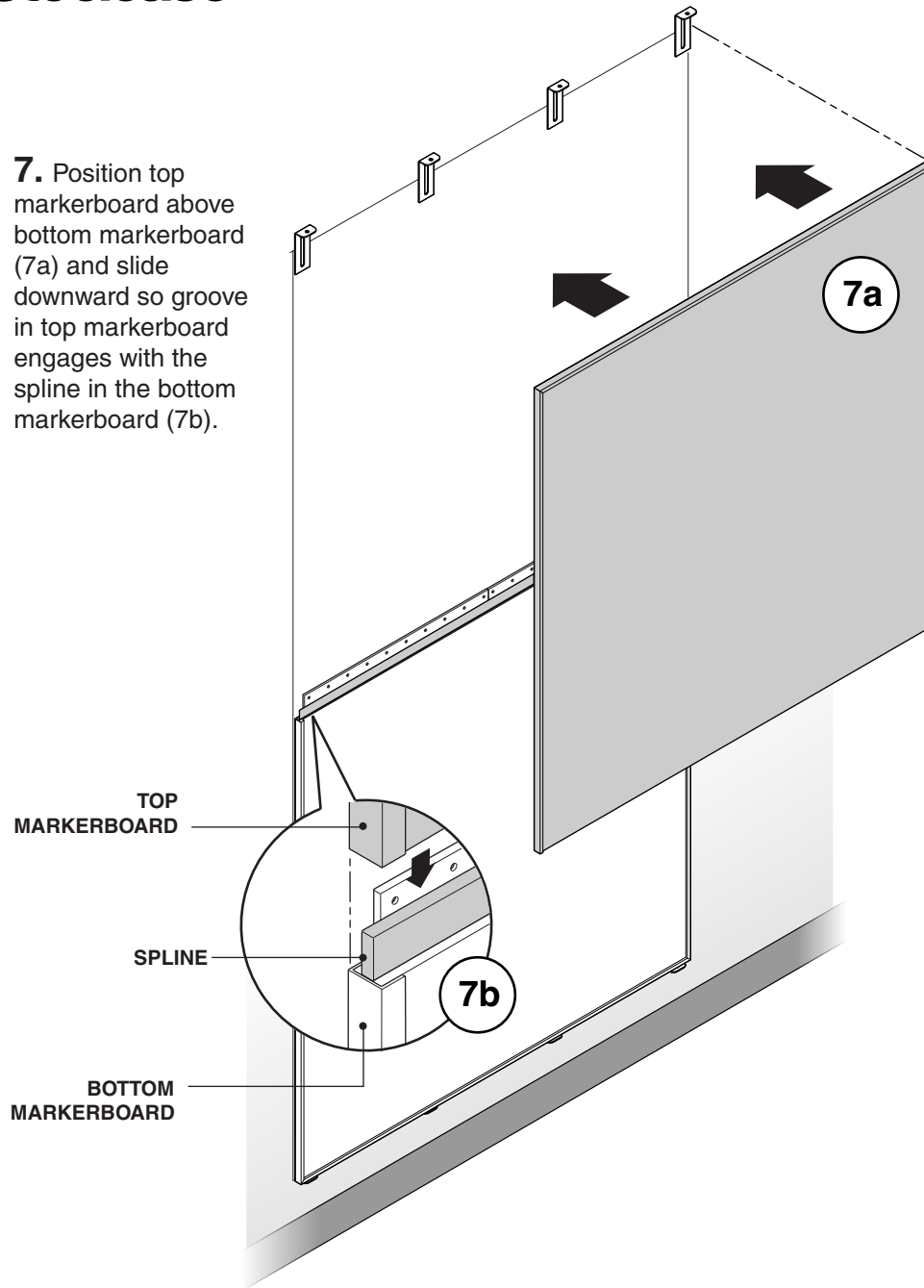
**5.** Insert screws through the bottom mounting clips (5a). Insert screws into reinforcing brackets at each stud location (5b).



**6.** Insert spline into groove at top of markerboard.



**7.** Position top markerboard above bottom markerboard (7a) and slide downward so groove in top markerboard engages with the spline in the bottom markerboard (7b).



**8.** Push top mounting clips snugly against top of markerboard frame (8a) and secure each clip with one (1) screw (8b).

