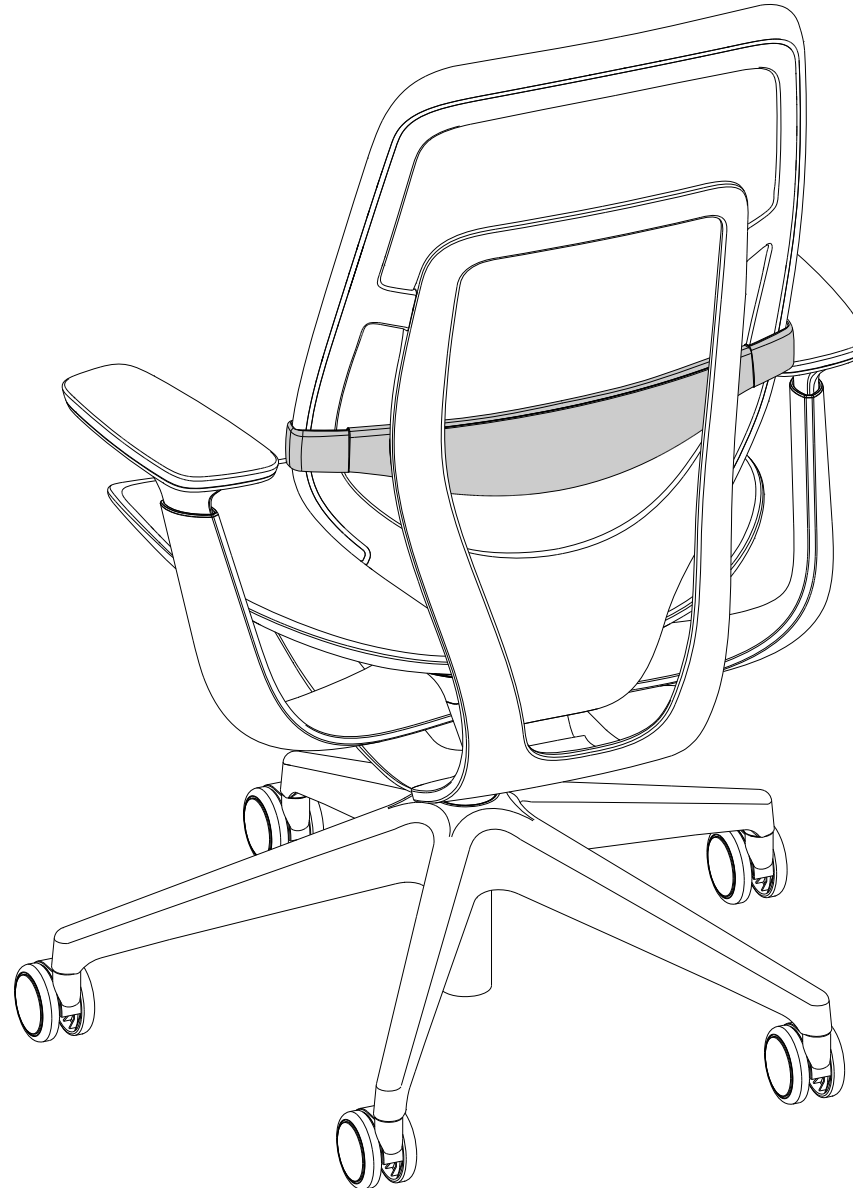


Removal and Installation of Lumbar Assembly on Steelcase Karman™ Chair



If you have a problem, question, or request, call your local dealer, or Steelcase Line 1 at **888.STEELCASE** (888.783.3522) for immediate action by people who want to help you.

(Outside the U.S.A., Canada, Mexico, Puerto Rico, and the U.S. Virgin Islands, call: 1.616.247.2500)
Or visit our website: www.steelcase.com

© 2020 Steelcase Inc.
Grand Rapids, MI 49501
U.S.A.

Printed in U.S.A.

1. Rotate lumbar handle (1a) and pull outward (1b), to release from inner back frame.

Repeat on other side.

2. Position new lumbar assembly, stretch to width, and clip both sides to the back frame by reversing step 1. Note the lumbar orientation from the art shown on this page.

