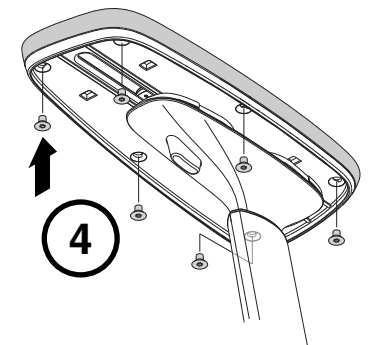
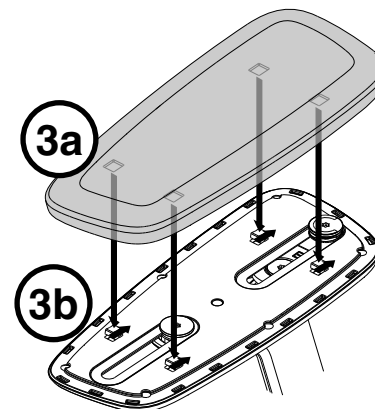
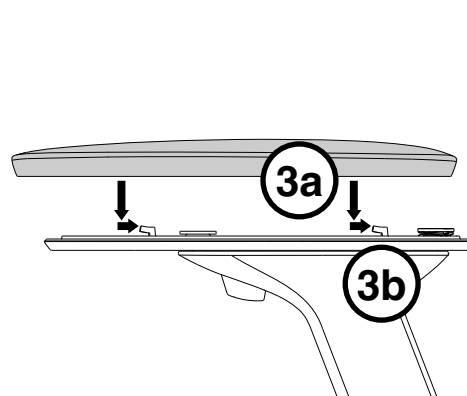
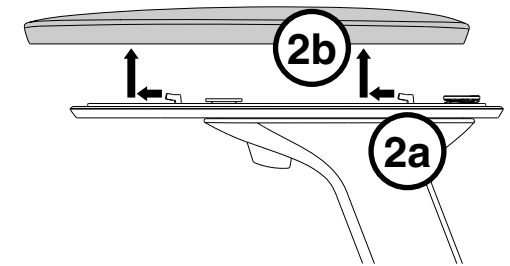
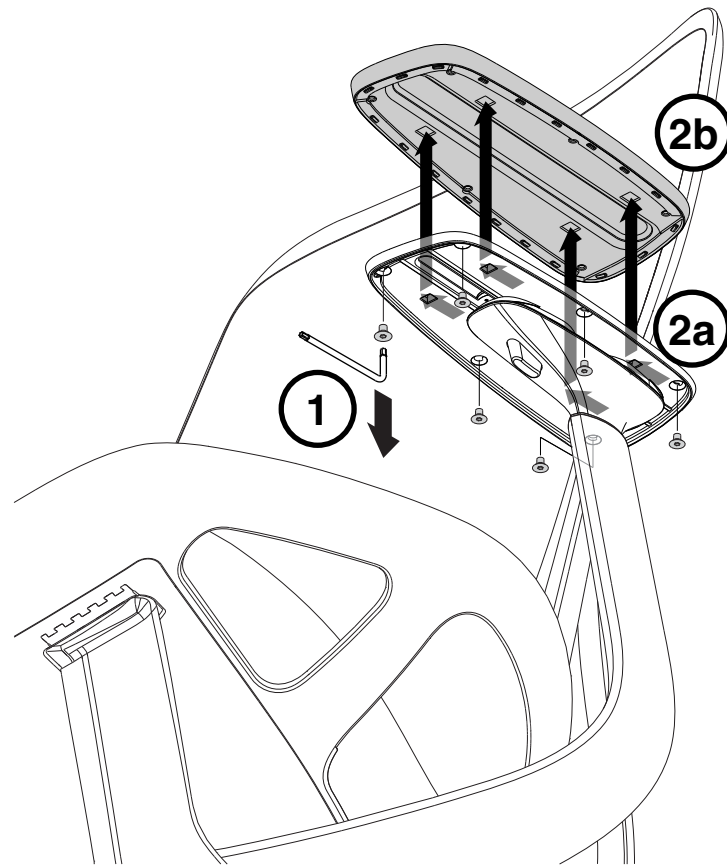
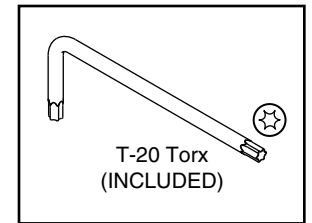


Removal:

1. Remove six (6) screws with a T-20 torx allen wrench.
2. Slide arm cap assembly forward (2a) and lift arm cap upward, off the arm (2b).

Installation:

3. Align hooks (3a) and slide new arm cap rearward, with downward pressure, into position (3b).
4. Replace the six (6) screws with a T-20 torx allen wrench.



If you have a problem, question, or request, call your local dealer, or Steelcase Line 1 at **888.STEELCASE** (888.783.3522) for immediate action by people who want to help you.

(Outside the U.S.A., Canada, Mexico, Puerto Rico, and the U.S. Virgin Islands, call: 1.616.247.2500) Or visit our website: www.steelcase.com

© 2020 Steelcase Inc.
Grand Rapids, MI 49501
U.S.A.

Printed in U.S.A.