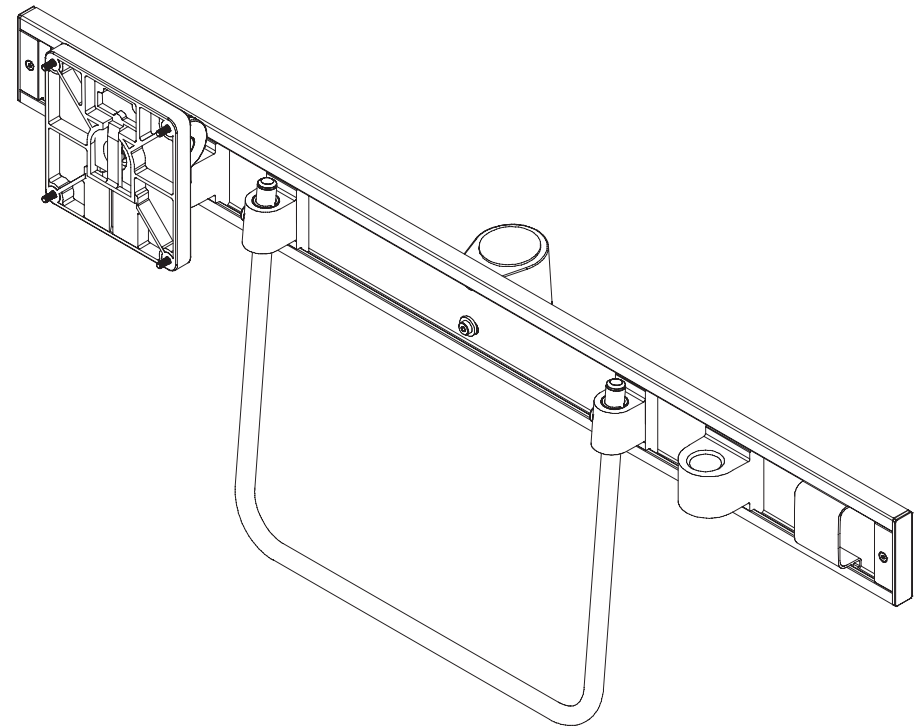


27"  
MAX

11-28lbs  
5-12.7kg  
RATED



## CFDUALBARCK

Si vous avez un problème, une question à poser ou une requête à faire, appelez votre concessionnaire local ou Steelcase, ligne 1, au numéro **888.STEELCASE** (888.783.3522) pour obtenir une action immédiate de personnes prêtes à vous aider.

(En-dehors des États-Unis, du Canada, du Mexique, de Porto Rico et des Antilles américaines, composez le 1.616.247.2500)

Ou visitez notre site Web à l'adresse: [www.steelcase.com](http://www.steelcase.com)

© 2021 Steelcase Inc.

Grand Rapids, MI 49501

Imprimé aux États-Unis

If you have a problem, question, or request, call your local dealer, or Steelcase Line 1 at **888.STEELCASE** (888.783.3522) for immediate action by people who want to help you.

(Outside the U.S.A., Canada, Mexico, Puerto Rico, and the U.S. Virgin Islands, call: 1.616.247.2500)

Or visit our website: [www.steelcase.com](http://www.steelcase.com)

© 2021 Steelcase Inc.

Grand Rapids, MI 49501

U.S.A.

Printed in U.S.A.

Si tiene algún problema, pregunta o pedido, llame a su distribuidor local, o a la línea 1 de Steelcase al **888.STEELCASE** (888.783.3522) para una respuesta inmediata de parte de quienes desean ayudarle.

(Fuera de los EE.UU., Canadá, México, Puerto Rico y las Islas Vírgenes de sol EE.UU., llame al 1.616.247.2500)

© 2021 Steelcase Inc.

Grand Rapids, MI 49501

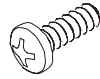
U.S.A.

Impreso en los EE.UU.

A Forearm Cap 1x  
115864



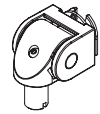
F M4 x 12mm Phillips Pan Head Screw 4x  
701153



B M6-1 x 12mm Phillips Pan Head Screw 1x  
716386



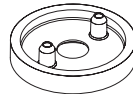
G Monitor Tilter 1x  
8500 Tilter



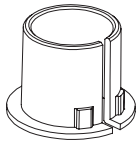
C Flat Washer 2x  
715866



H Dog Washer 1x  
105189



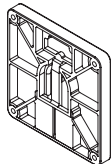
D Bushing 1x  
114548



I 10-32 x 3/8" FPhMS w/Lock Patch 1x  
705198



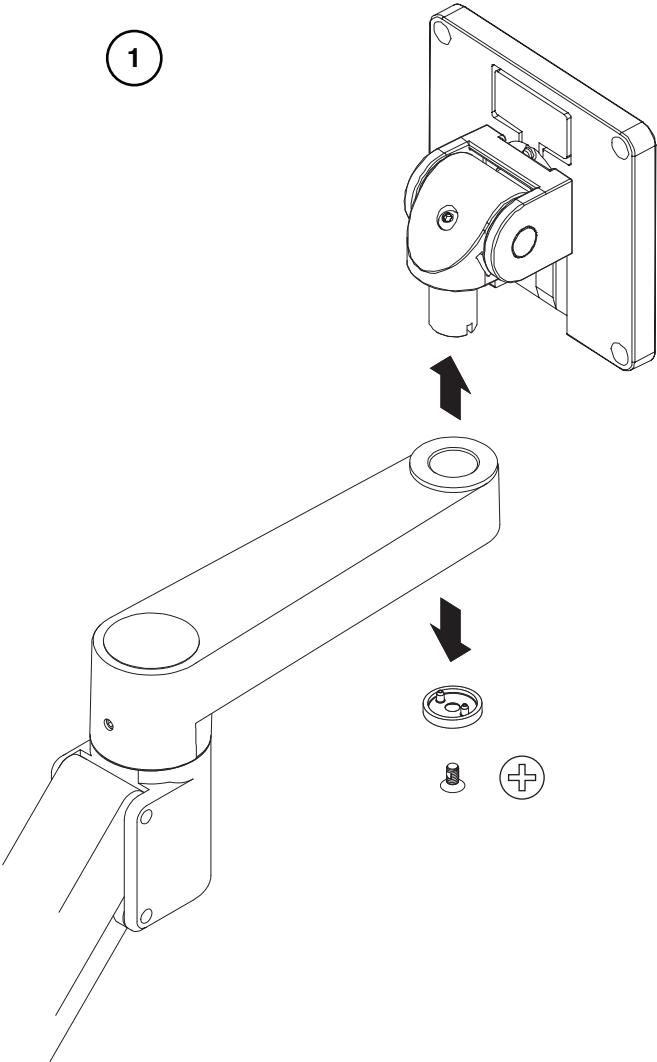
E Quick Connect VESA Plate 1x  
114808



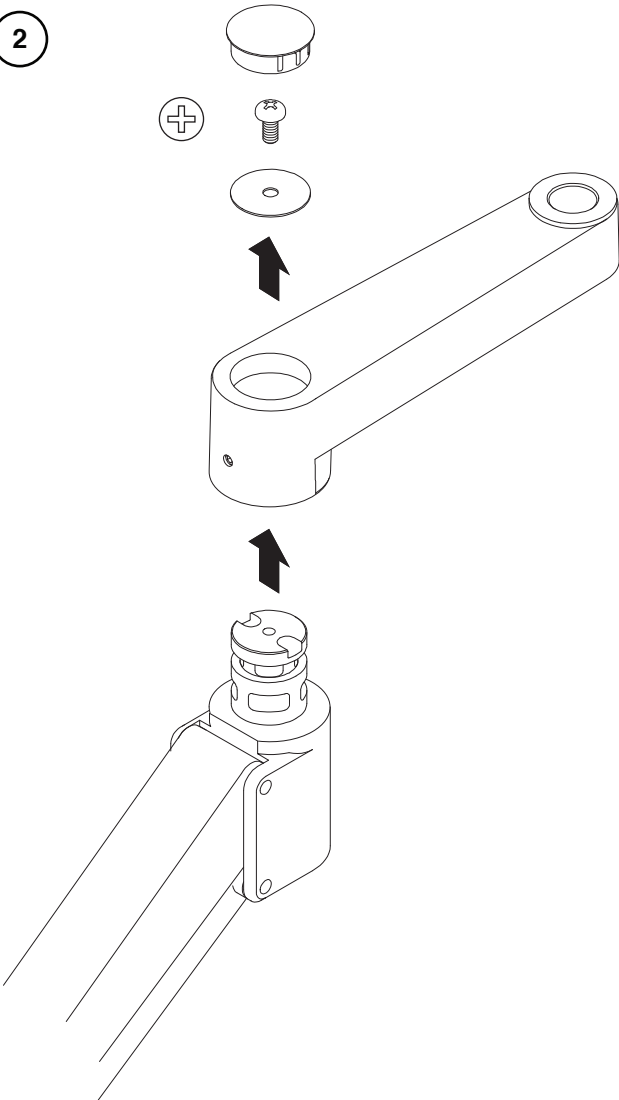
J 3mm Allen Wrench 1x  
701313



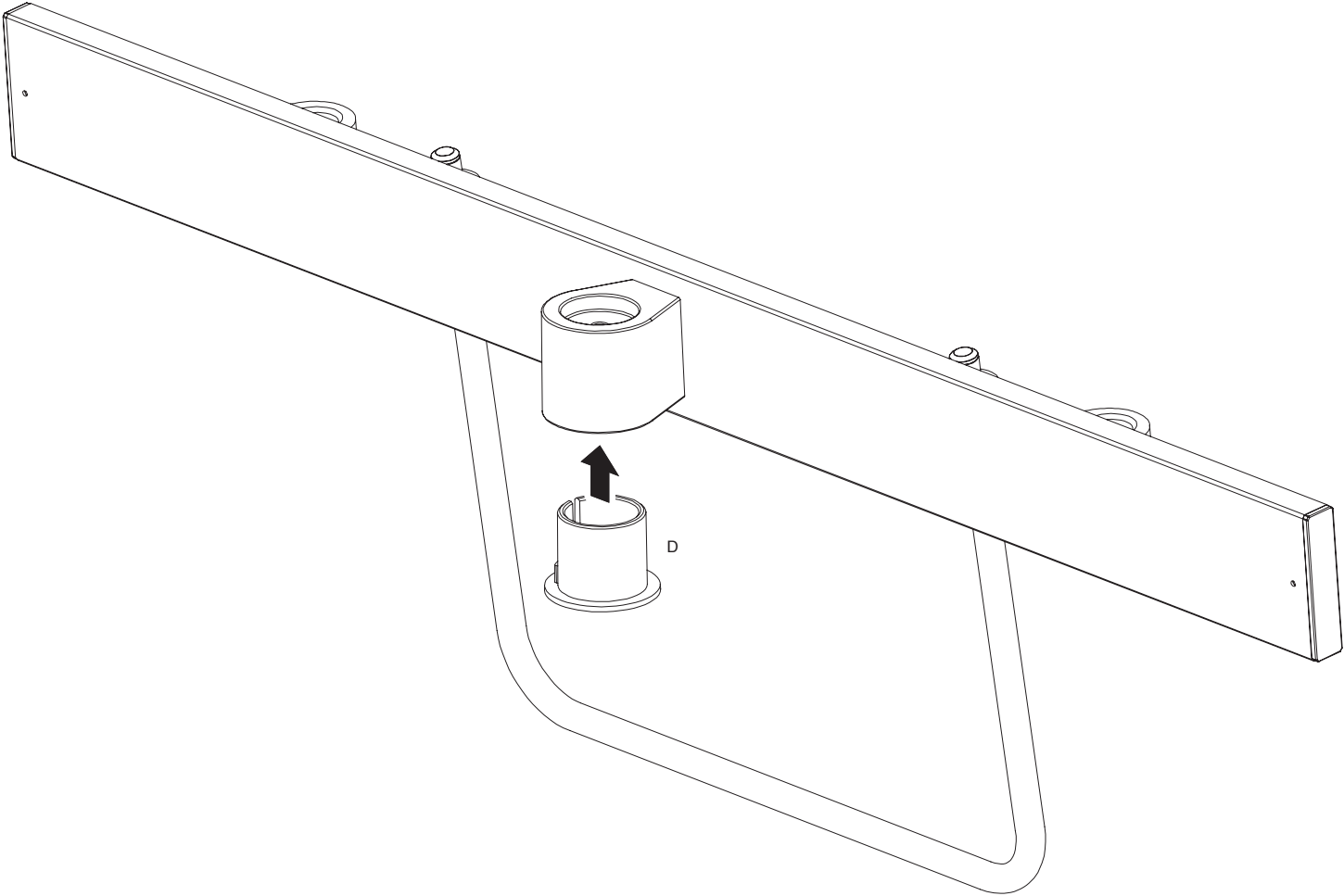
1

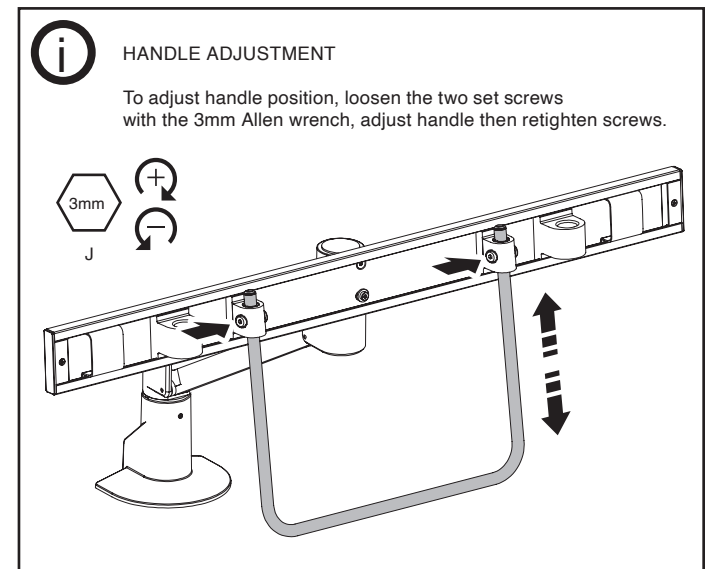
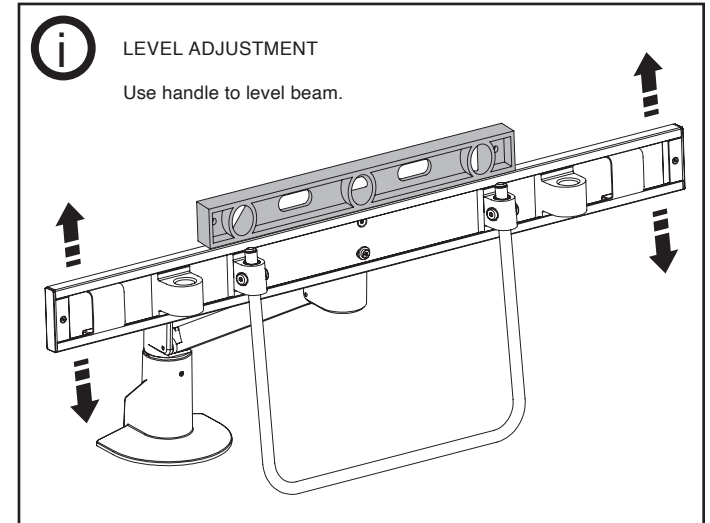
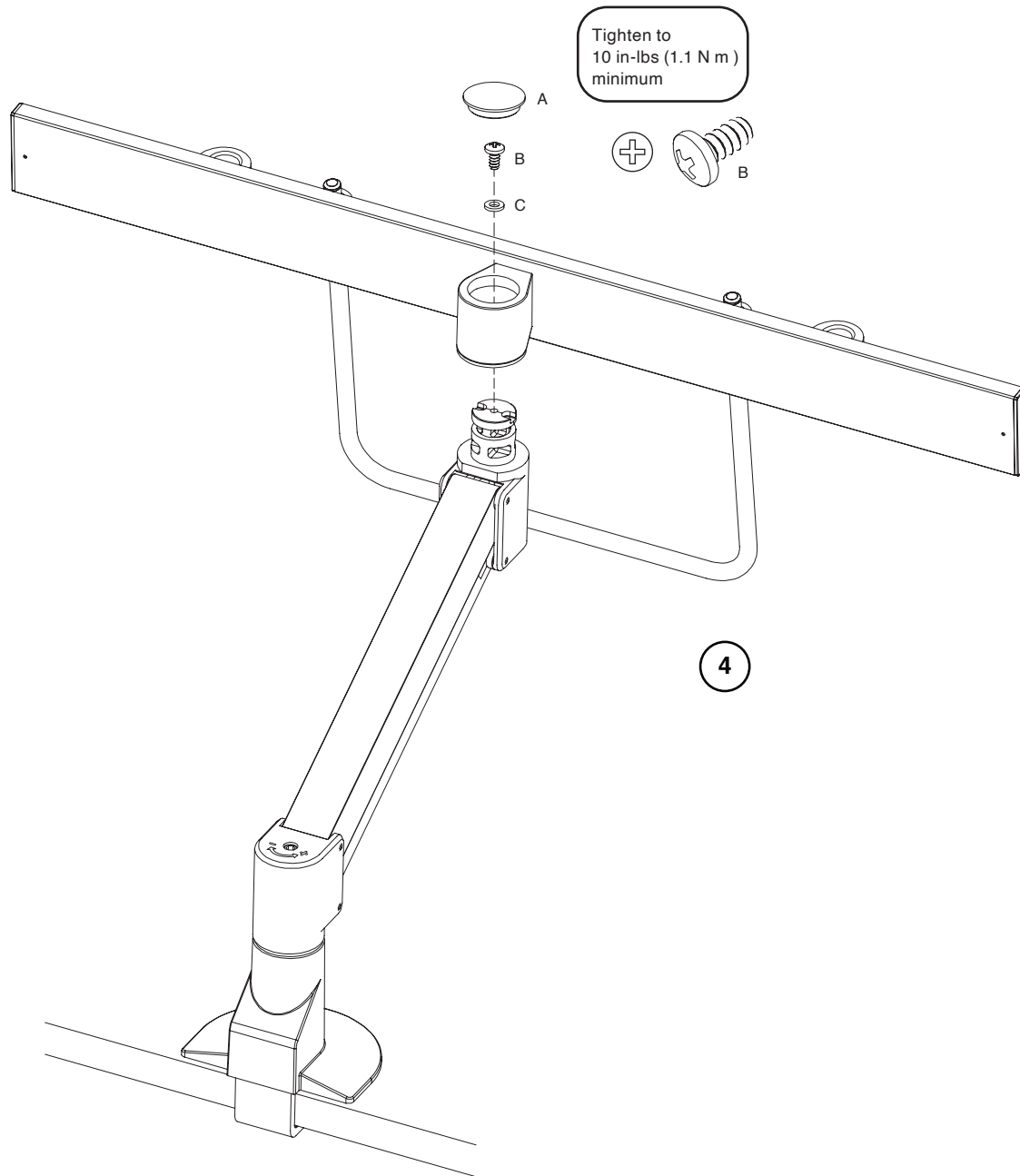


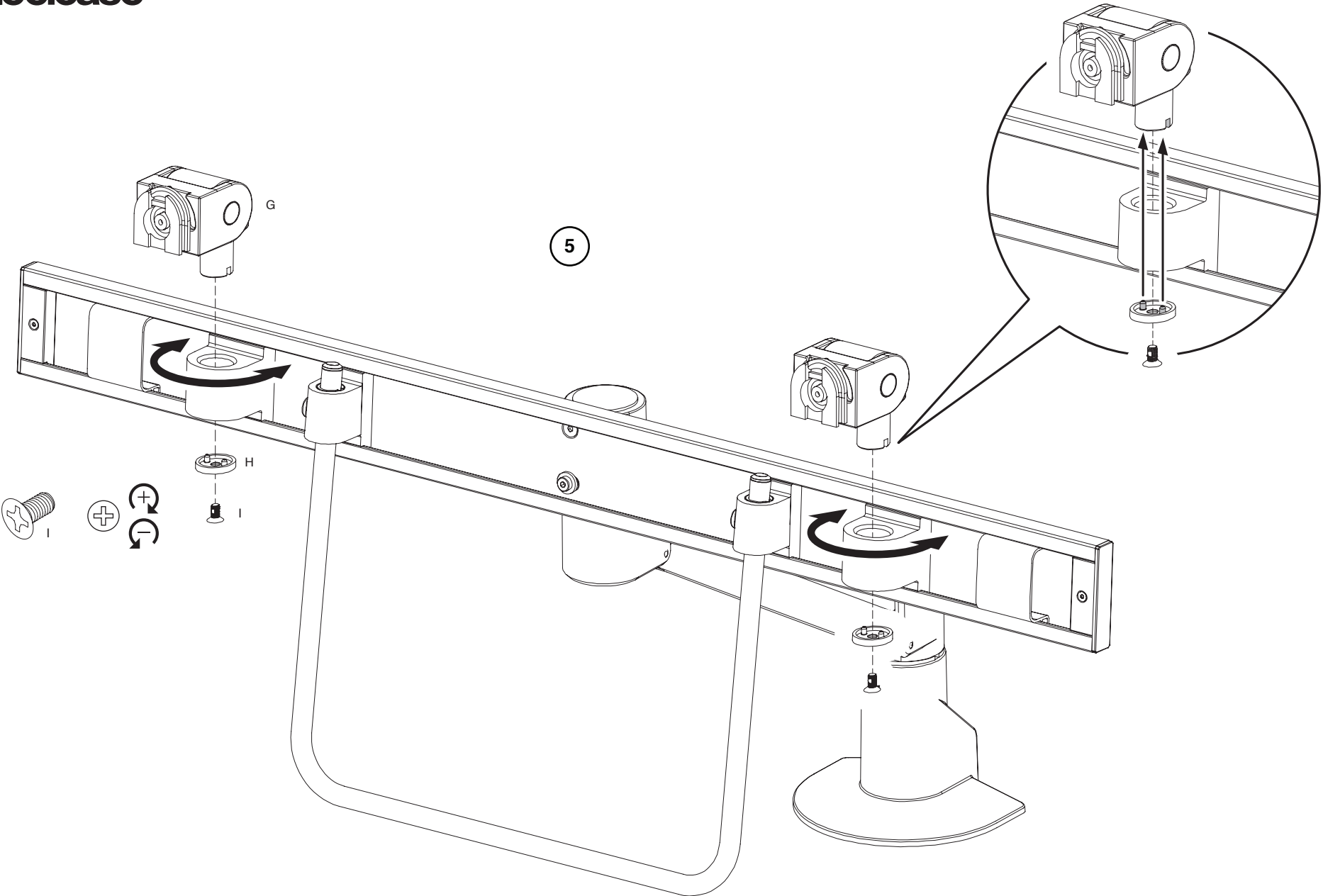
2



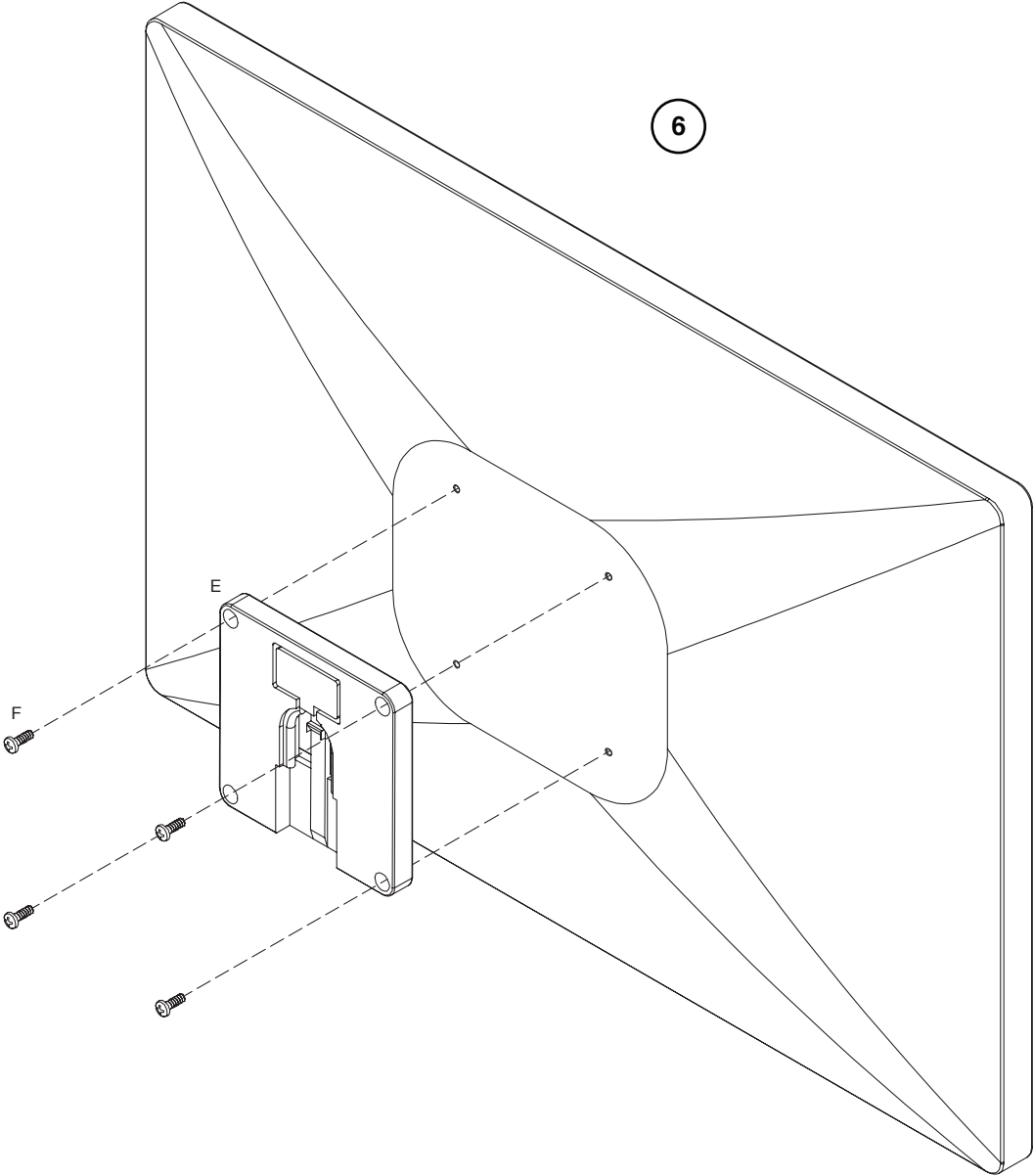
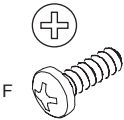
3



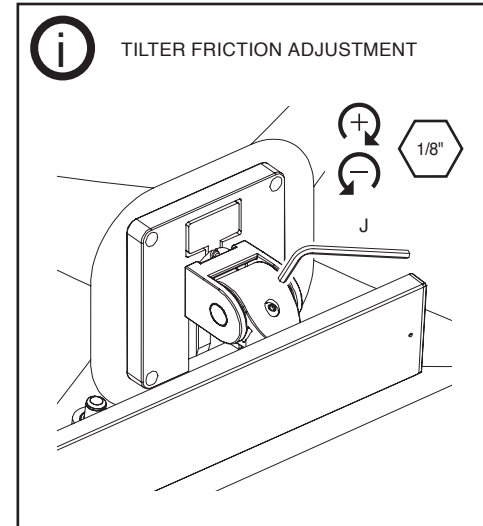
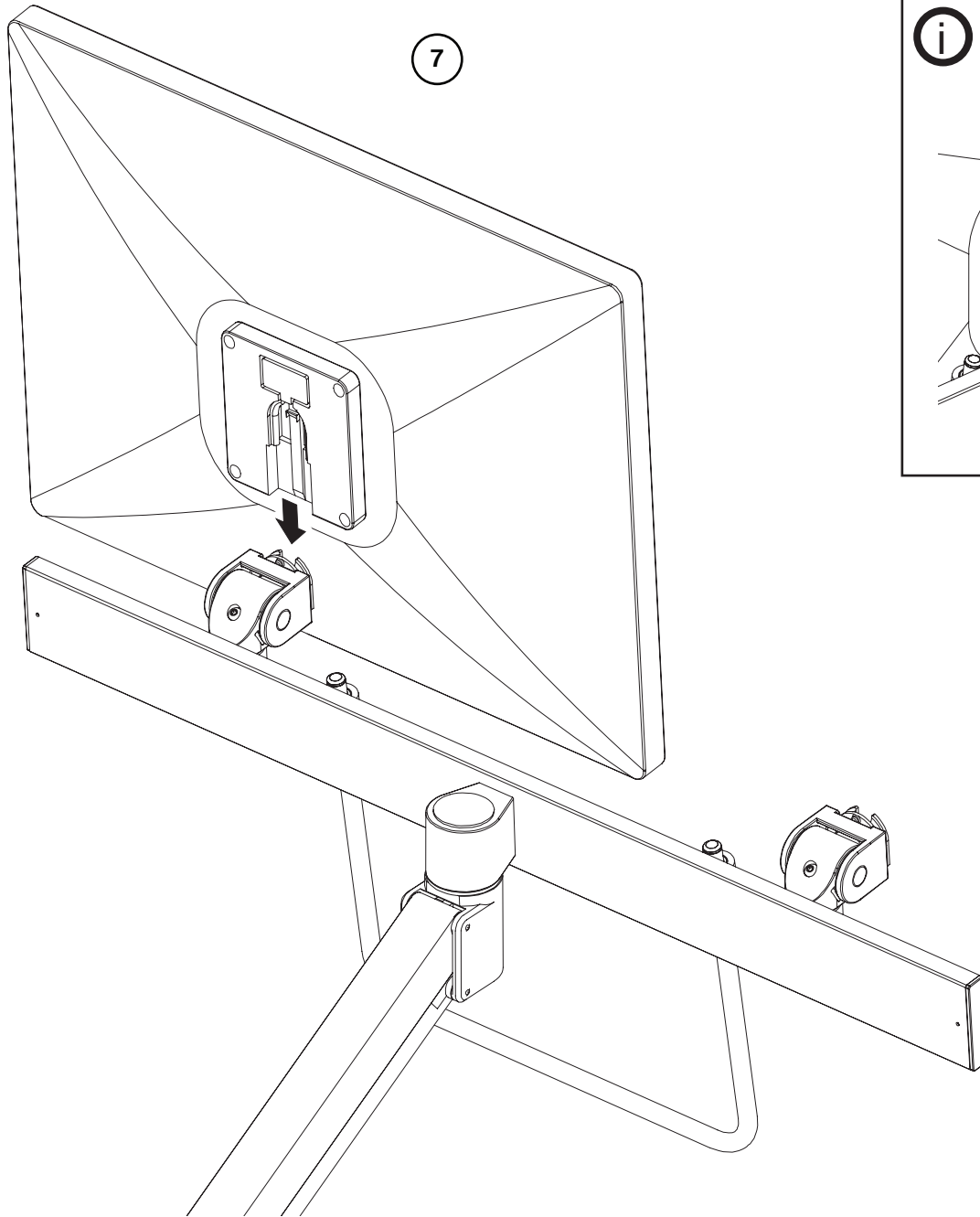




2x



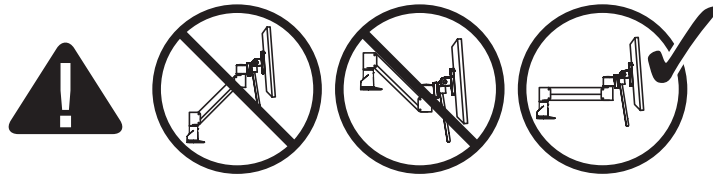
2x





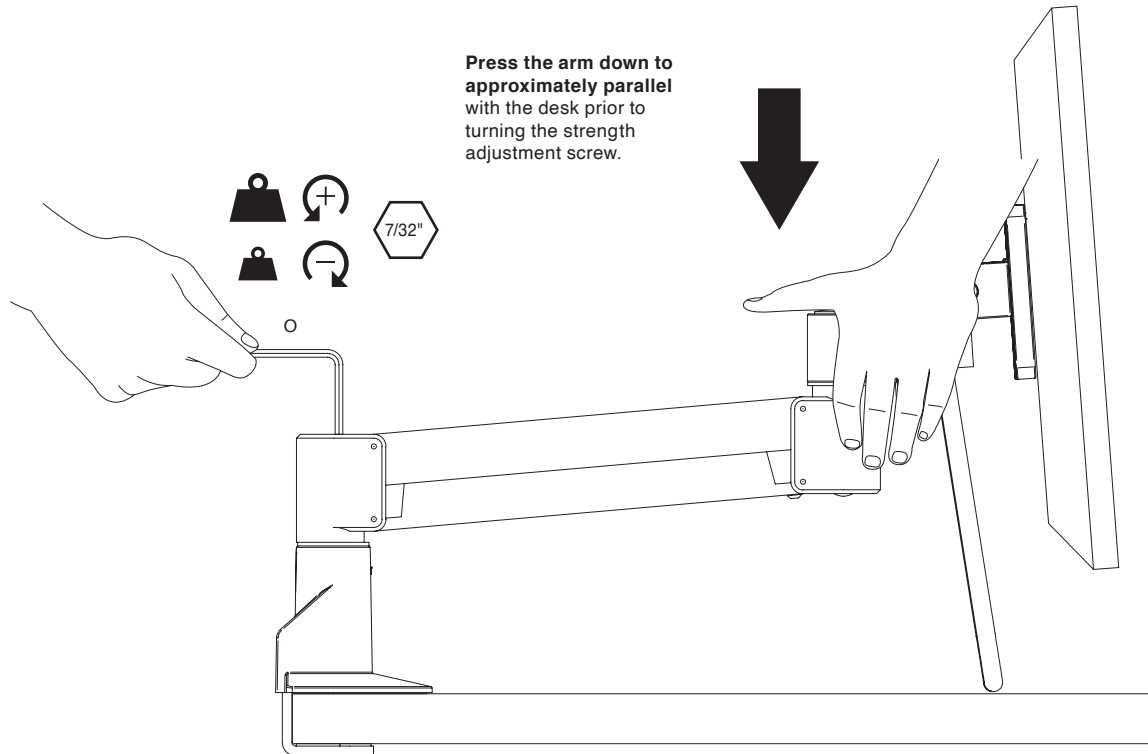
**IMPORTANT!**

- Monitor must be on arm
- Arm must be in mount



8

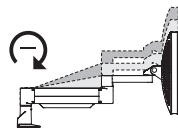
Press the arm down to approximately parallel with the desk prior to turning the strength adjustment screw.



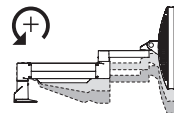
**i** OPTIONAL ADJUSTMENT

**In some instances**, an additional counterbalance adjustment may be needed to allow the arm's instant height adjustment function to work properly.

If your arm is not staying in position after performing step 11, tighten the adjustment screw as shown.



If the arm **drifts upward**, turn the adjustment screw clockwise.



If the arm **drifts downward**, turn the adjustment screw counter-clockwise.

Depending on the weight of your monitor, **you may have to make 15-20 turns.**

