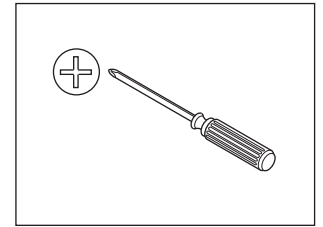
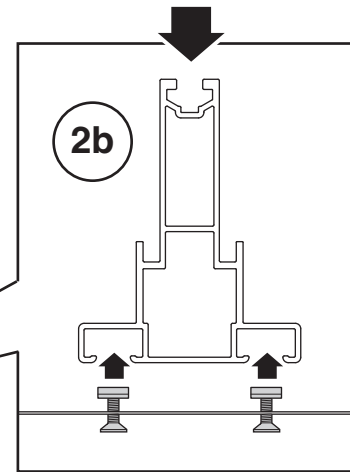
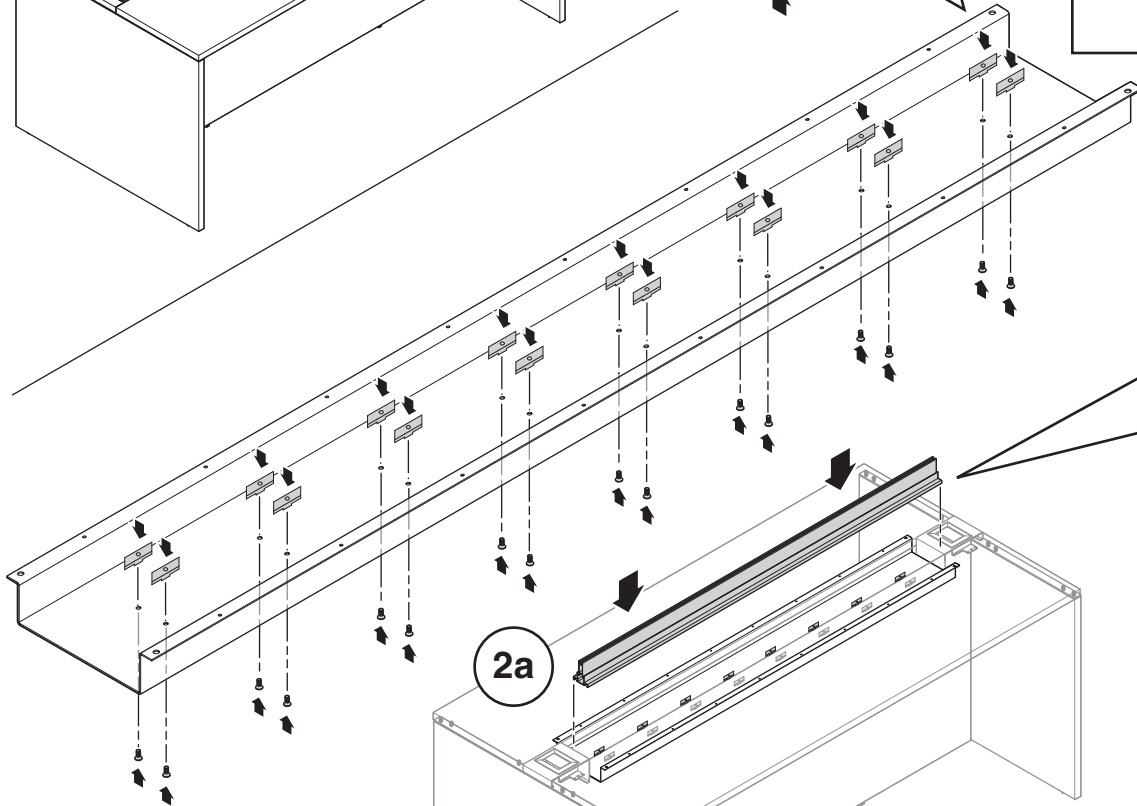
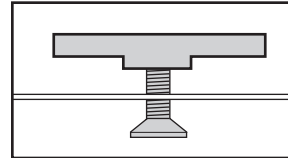


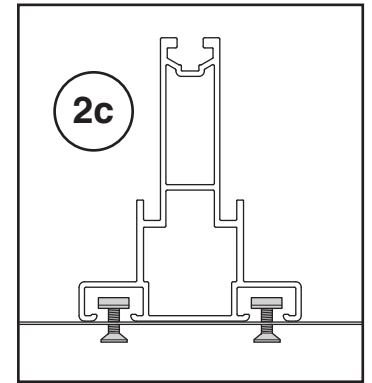
NOTE: Worksurface not shown for illustrative clarity.



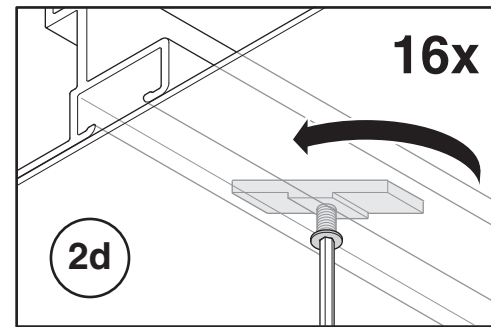
SIDE VIEW



END VIEW



END VIEW



UNDERSIDE OF TROUGH