

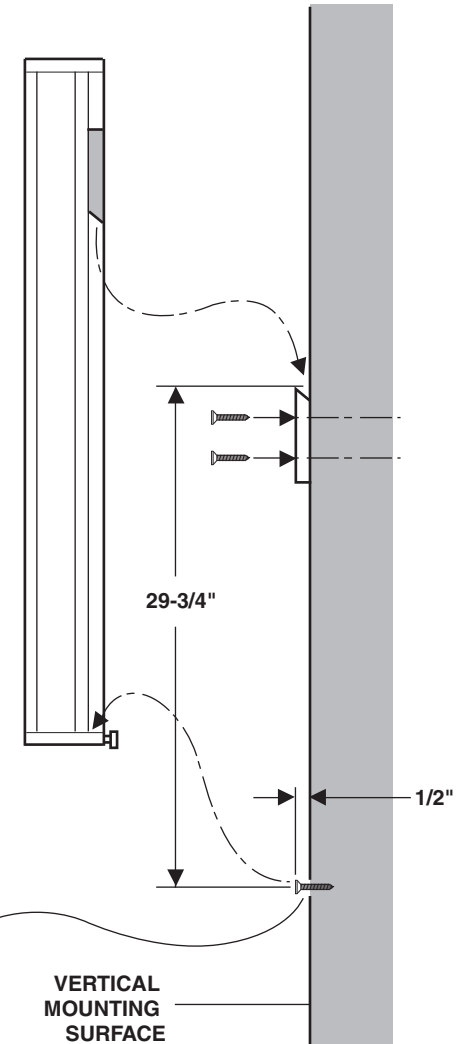
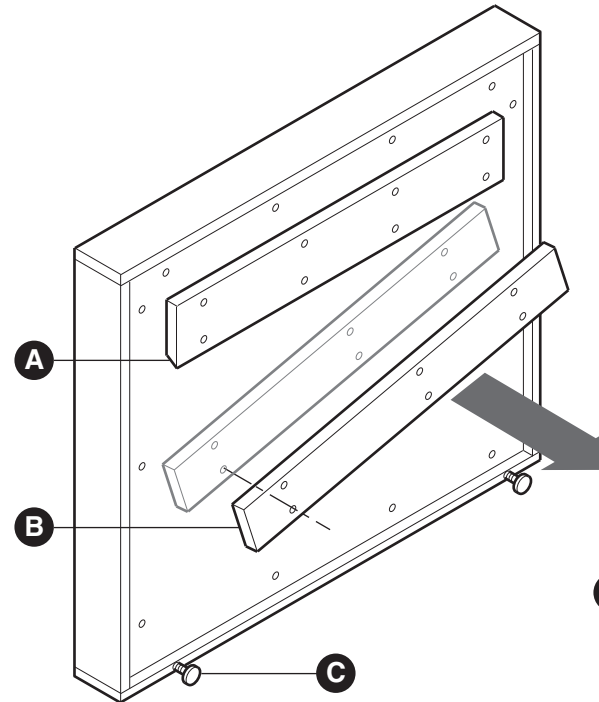


Assembly Sequence	
1	Detach LOWER SUSPENSION BAR B from rear of visual board.
2	Attach LOWER SUSPENSION BAR B securely to the wall with a minimum of (4) #10 x 3" screws into the wall studs. NOTE: Attach to (2) studs minimum.
3	Install a #10 x 3" screw, item D into a wall stud at 29-3/4" below the top of the LOWER SUSPENSION BAR B as shown.
4	Hang VISUAL BOARD by hooking SUSPENSION BAR A over SUSPENSION BAR B angling the bottom of the unit outward to clear the screw D . Once the SUSPENSION BARS A and B are fully engaged, the unit can be set flat against the wall, with the screw D located above the bottom frame member to prevent the unit from being bumped off the LOWER SUSPENSION BAR.
5	Set ADJUSTING BOLTS C to level the VISUAL BOARD with the wall (hex key provided.)

	Hex Key	1
	Flathead Screw #10 x 3"	7
Hardware Package 7HP14		



If you have a problem, question, or request, call your local dealer, or Steelcase Line 1 at **888.STEELCASE** (888.783.3522) for immediate action by people who want to help you.

(Outside the U.S.A., Canada, Mexico, Puerto Rico, and the U.S. Virgin Islands, call: 1.616.247.2500) Or visit our website: www.steelcase.com

© 2012 Steelcase Inc.
Grand Rapids, MI 49501
U.S.A.

Printed in U.S.A.

CAUTION
Use only DRY ERASABLE
MARKERS on Visual Board's
working surface.