

Note: Installation of Fixed Boards requires 2 people

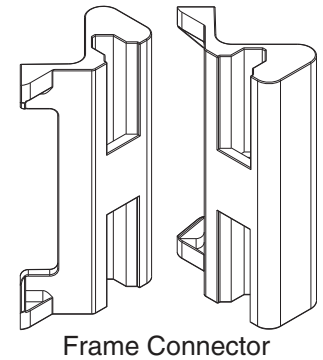
Note: Fixed boards can be installed with whiteboard or PET side facing out

1. Align bottom of (A) frame connectors on top surface of desired shelf and slide the (A) fixed board clips into the connectors until the top of the clip is fully engaged and flush with the top of the frame connector on both sides. When installed, the bottom of the Fixed Board should be aligned with the bottom shelf that the (A) Frame Connectors rest on.

2. With one person on each side, align the (B) Frame Connectors along the tubes and underneath the (B) Fixed Board Clips.

3. Push the Frame Connectors up until the top of the (B) connectors are flush with the top of the (B) Fixed Board Clips. There should be a snap when they are fully seated.

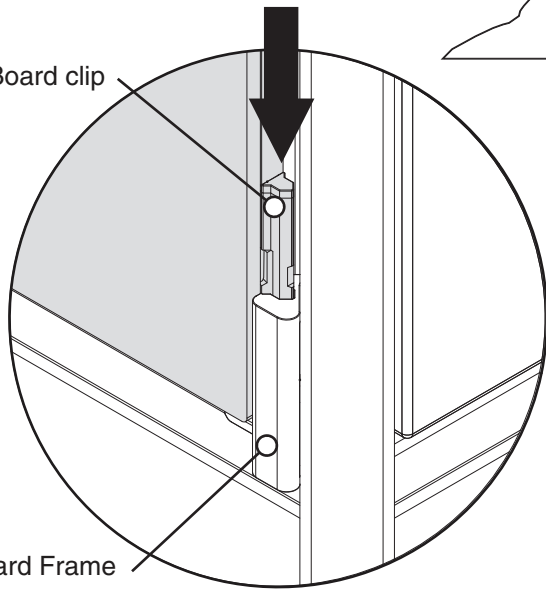
4. Repeat steps 2-3 for the (C) Fixed Board clips.



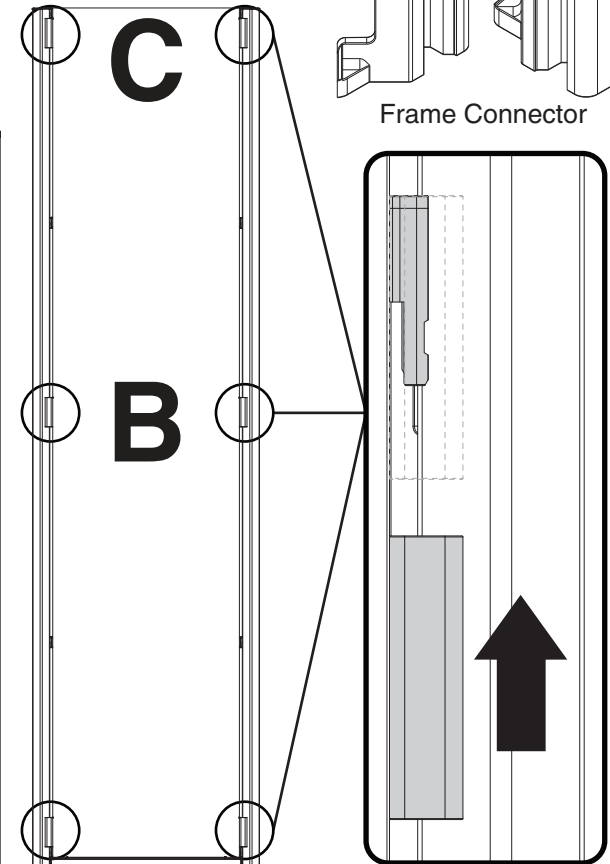
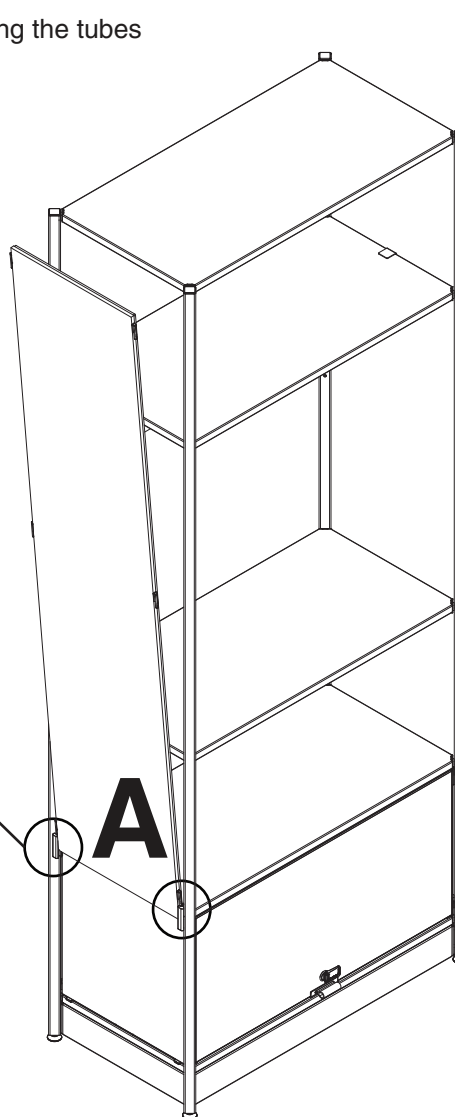
2x



Fixed Board clip



Fixed board Frame Connector



6x