

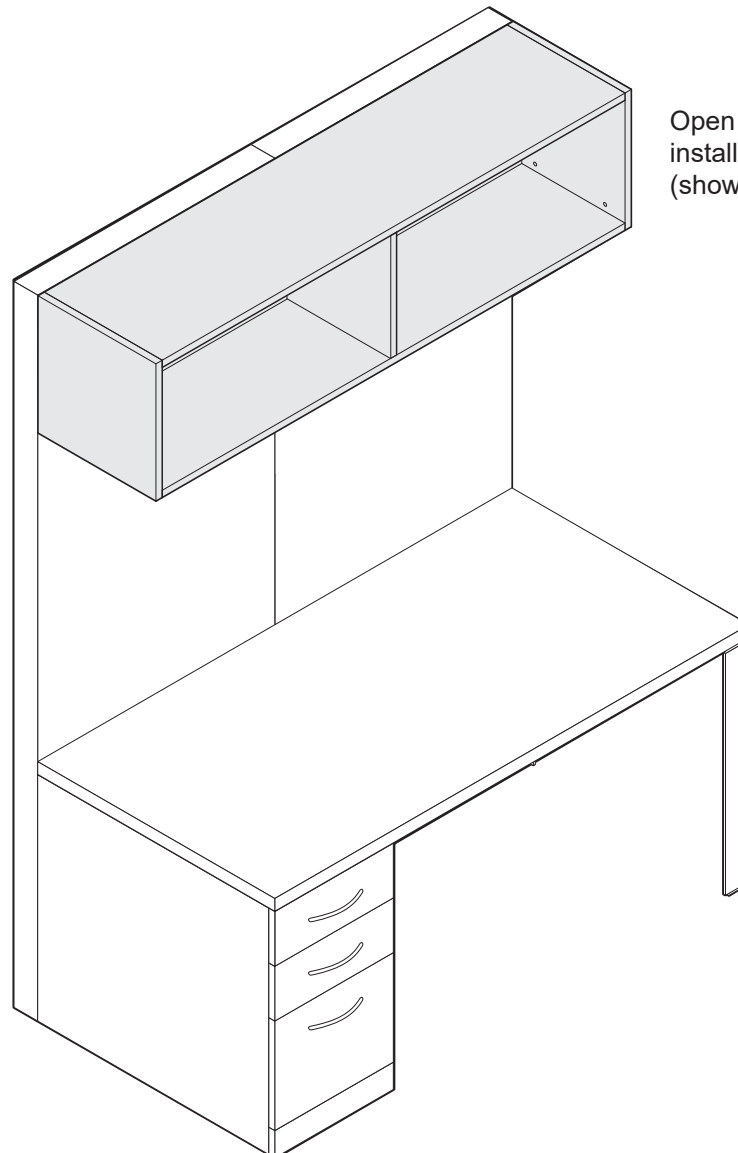
## ⚠ WARNING



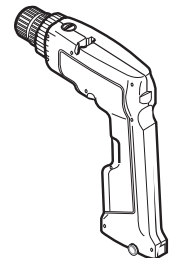
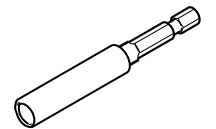
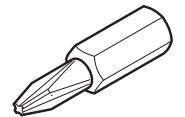
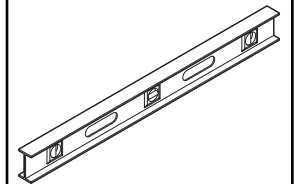
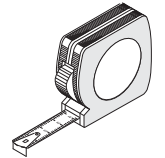
### CRUSH HAZARD

Failure to properly secure cabinet could result in personal injury. Be sure to install ALL fasteners provided in both the back panel and top panel.

Read the entire Assembly Direction for your product mounting configuration before beginning installation. Obtain assembly directions for Overhead Storage Cabinets from your local Steelcase dealer or by calling 1-888-783-3522.



Open Storage Cabinet installed on a panel (shown in this direction)



If you have a problem, question, or request, call your local dealer, or Steelcase Line 1 at **888.STEELCASE** (888.783.3522) for immediate action by people who want to help you.

(Outside the U.S.A., Canada, Mexico, Puerto Rico, and the U.S. Virgin Islands, call: 1.616.247.2500)  
Or visit our website: [www.steelcase.com](http://www.steelcase.com)

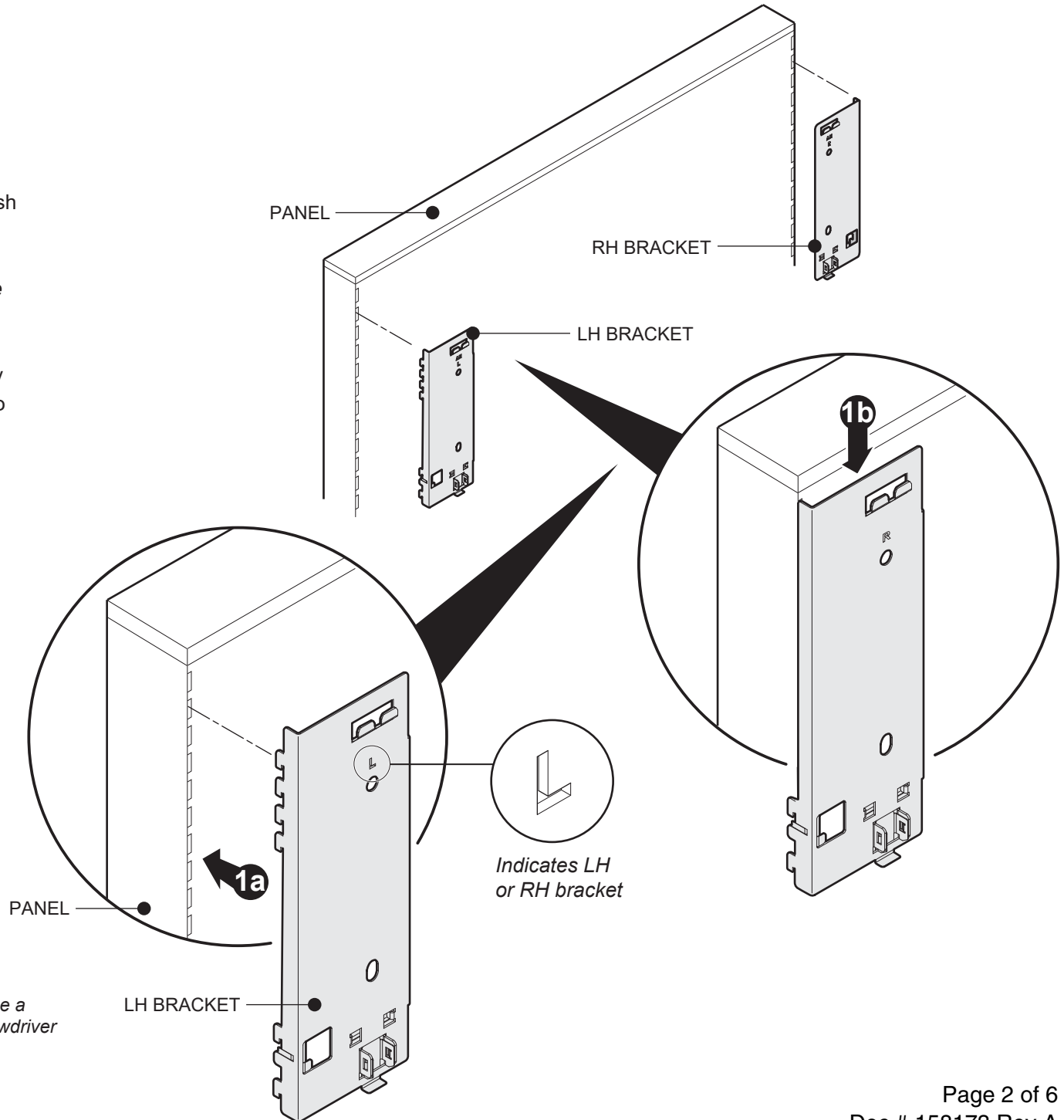
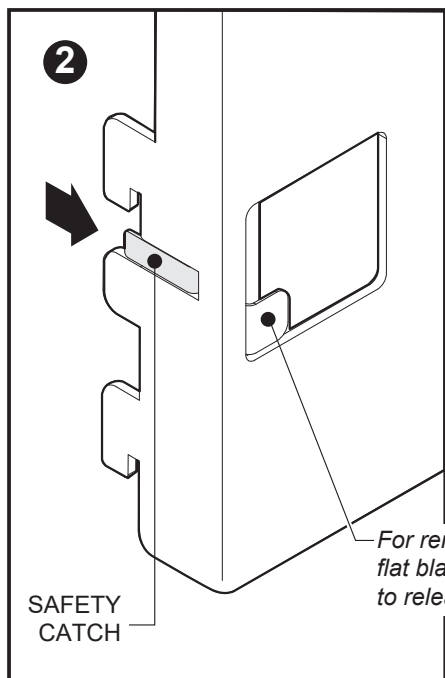
© 2021 Steelcase Inc.  
Grand Rapids, MI 49501  
U.S.A.

Printed in U.S.A.

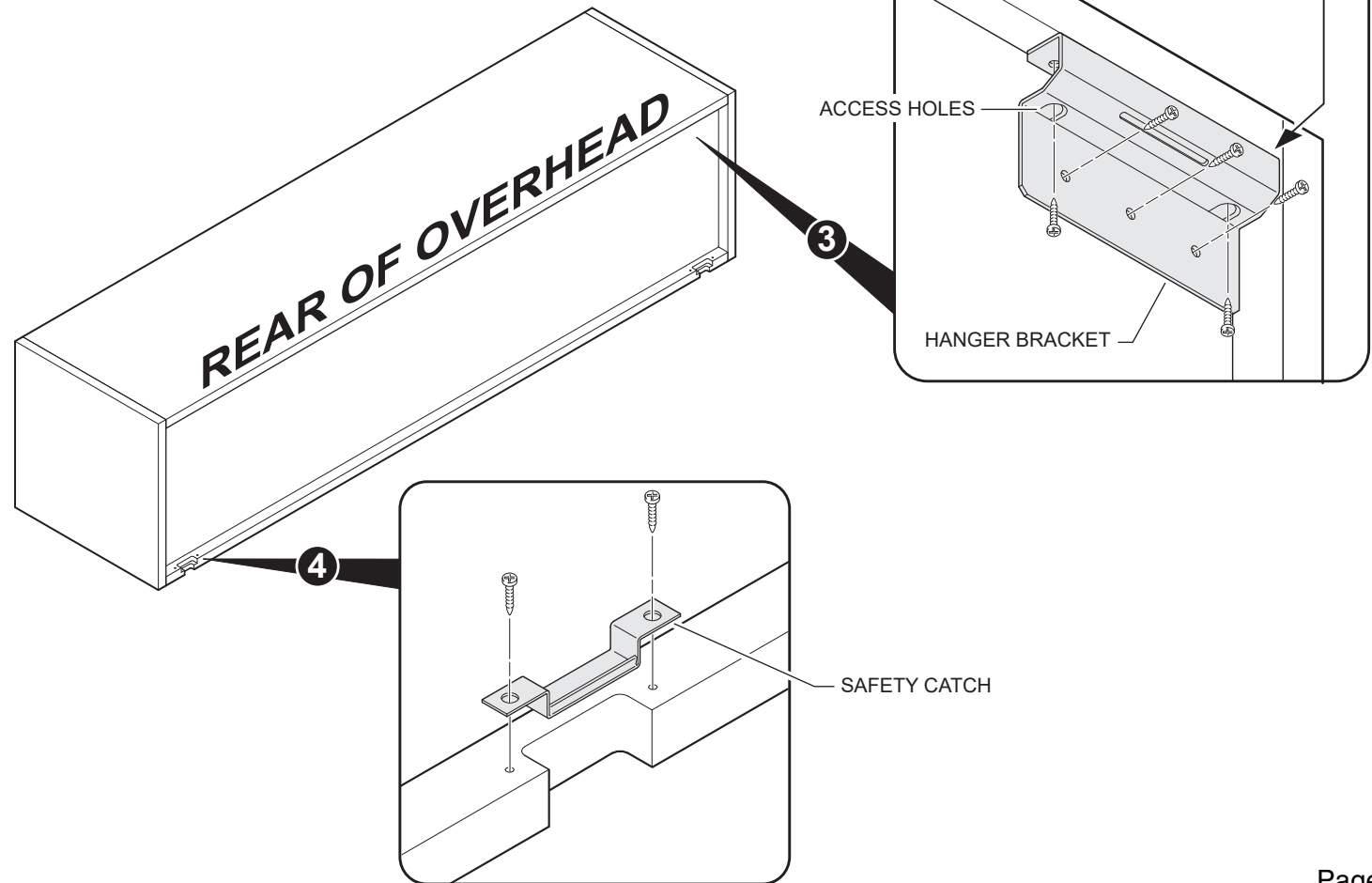
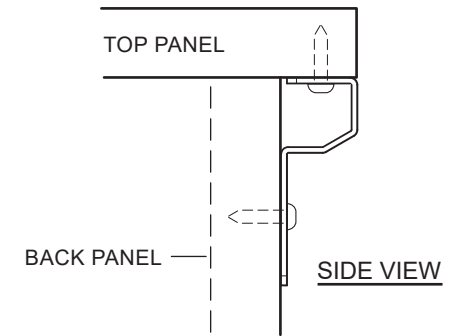
1. Mount brackets in panel slots (1a), then push down (1b) so that they are securely seated and are 1/2" below the panel top cap.

**Note: make sure LH and RH brackets are in the proper orientation.**

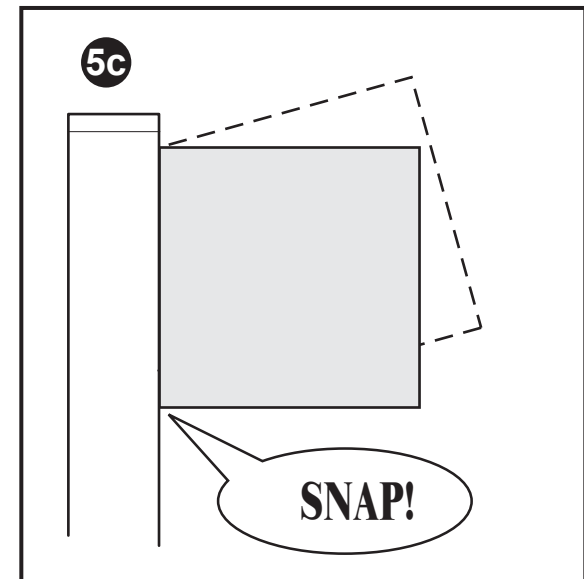
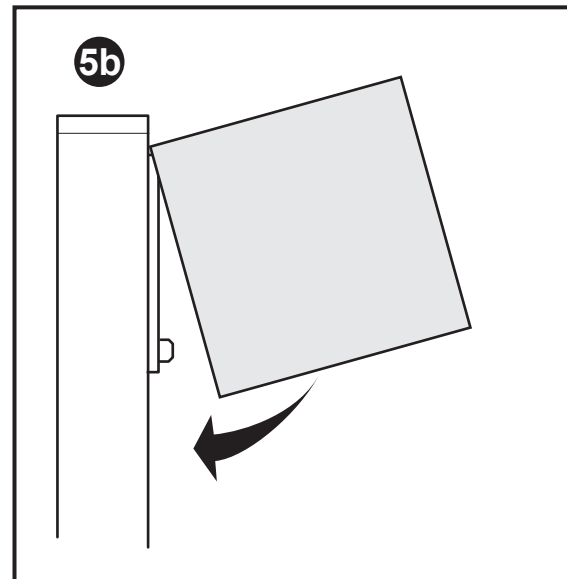
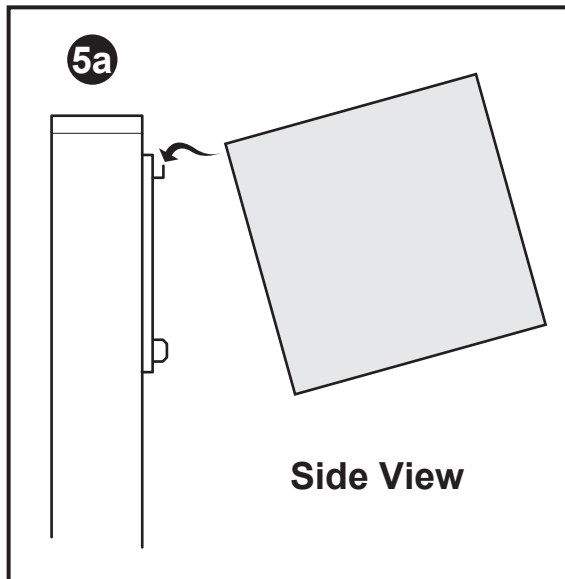
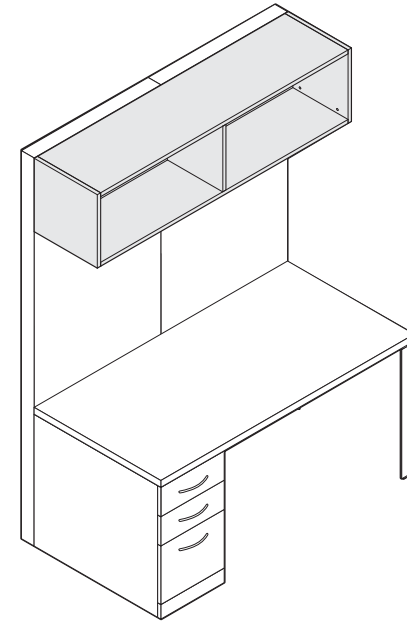
2. Ensure that safety catch is fully engaged by lifting up on the bracket after it is installed to verify that it's locked in place.



3. Mount (2) hanger brackets onto the rear panel of overhead storage cabinet, one each side.
4. Install (2) safety catches into openings as shown.

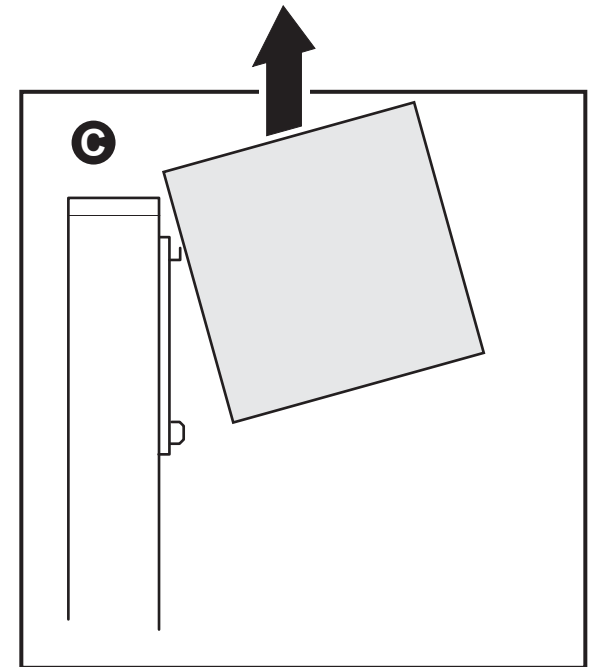
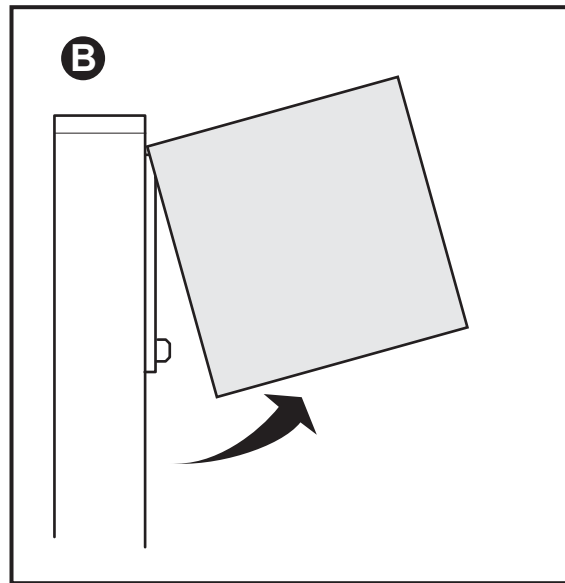
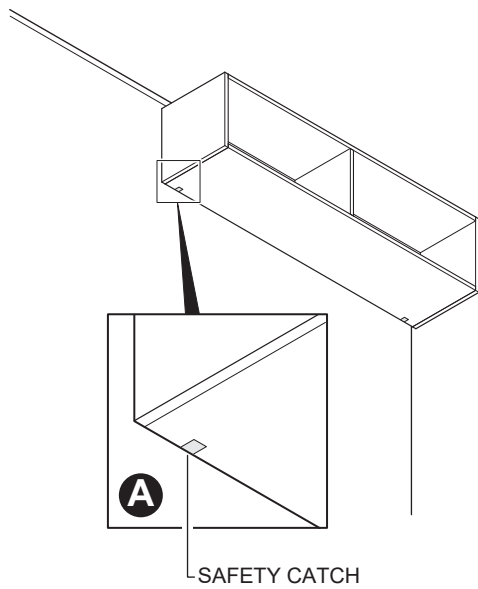


5. Install storage cabinet onto panel brackets.
- A) Hang top of cabinet onto brackets.
  - B) Ease bottom of cabinet into place.
  - C) Listen for safety catch noise (snap!)



To release cabinet from panel:

- A) *Push up on tabs.*
- B) *Move bottom of cabinet away from panel.*
- C) *Lift cabinet free of brackets.*



**HINGE ADJUSTMENT**

Adjust doors. A #2 screwdriver is recommended for adjusting hinge.

