

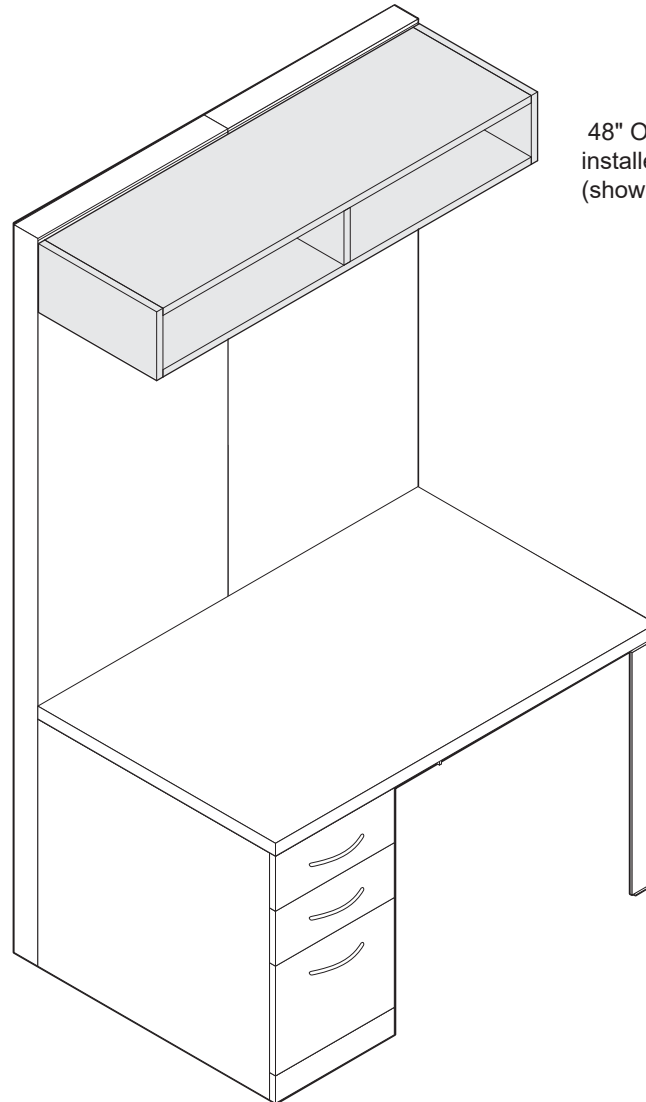
## ⚠ WARNING



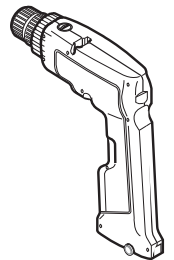
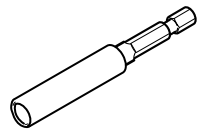
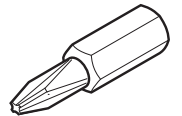
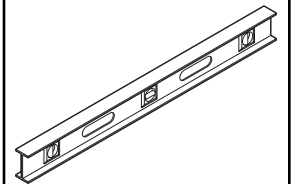
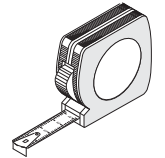
### CRUSH HAZARD

Failure to properly secure cabinet could result in personal injury. Be sure to install ALL fasteners provided in both the back panel and top panel.

Read the entire Assembly Direction for your product mounting configuration before beginning installation. Obtain assembly directions for Overhead Storage Cabinets from your local Steelcase dealer or by calling 1-888-783-3522.



48" Organizer  
installed on a panel  
(shown in this direction)



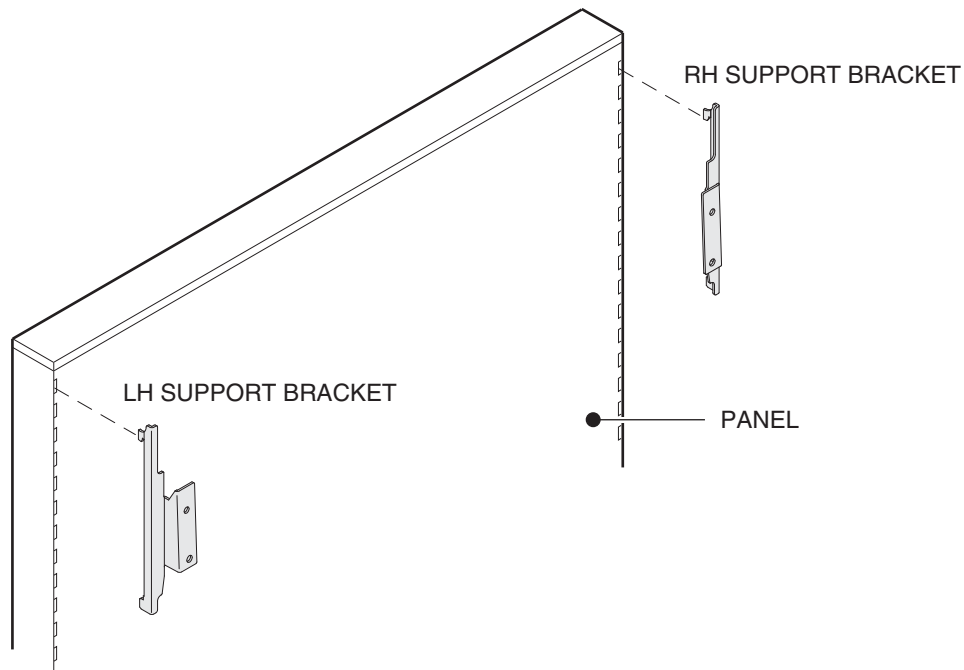
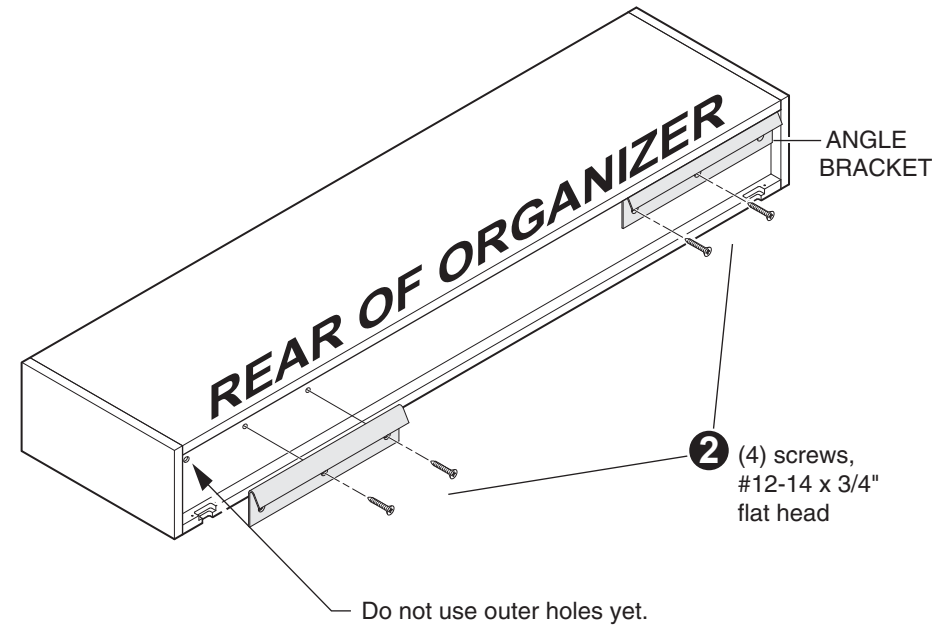
If you have a problem, question, or request, call your local dealer, or Steelcase Line 1 at **888.STEELCASE** (888.783.3522) for immediate action by people who want to help you.

(Outside the U.S.A., Canada, Mexico, Puerto Rico, and the U.S. Virgin Islands, call: 1.616.247.2500)  
Or visit our website: [www.steelcase.com](http://www.steelcase.com)

© 2021 Steelcase Inc.  
Grand Rapids, MI 49501  
U.S.A.

Printed in U.S.A.

1. Align holes in (2) angle brackets with holes in inset back panel of organizer.
2. Secure brackets with (2) screws each.  
**NOTE: Do not install a screw in the holes nearest end panels.**
3. Install a left and right hand support bracket onto panel in the location shown.



4. Position organizer over support brackets and lower so that it is securely seated.
5. Make sure that outer holes in angle brackets are aligned with holes in support brackets.
6. Secure with (1) screw each as shown.

