

⚠ WARNING

TIP OVER HAZARD



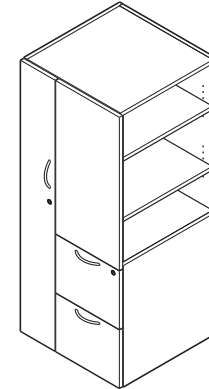
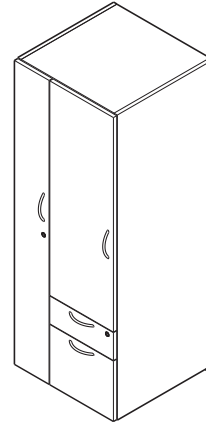
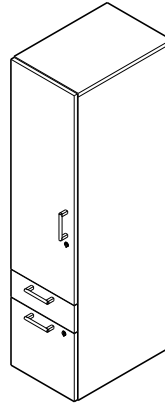
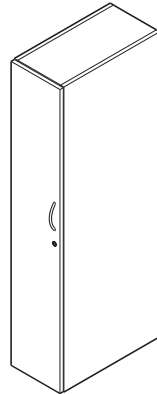
DO NOT:

- Pull down on doors (if equipped)
- Move unit or adjust glides if loaded

You MUST:

- Install this unit against a wall or gang to a similar unit.
- See Assembly Directions for further instruction, available from Steelcase dealer or call 1-888-783-3522

FOLLOW THESE INSTRUCTIONS TO PREVENT UNIT FROM TIPPING OVER AND CAUSING INJURY.



⚠ WARNING: TIP OVER HAZARD

12" wide towers must be attached to a wall, under worksurface storage or an end panel.

DO NOT:

- pull down on doors
- move unit while loaded
- move unit by lifting from its top

If you have a problem, question, or request, call your local dealer, or Steelcase Line 1 at **888.STEELCASE** (888.783.3522) for immediate action by people who want to help you.

(Outside the U.S.A., Canada, Mexico, Puerto Rico, and the U.S. Virgin Islands, call: 1.616.247.2500)

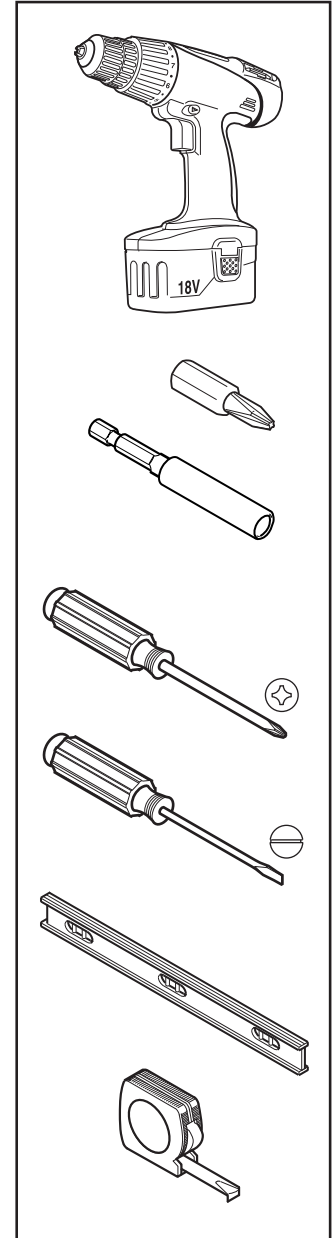
Or visit our website: www.steelcase.com

© 2021 Steelcase Inc.

Grand Rapids, MI 49501

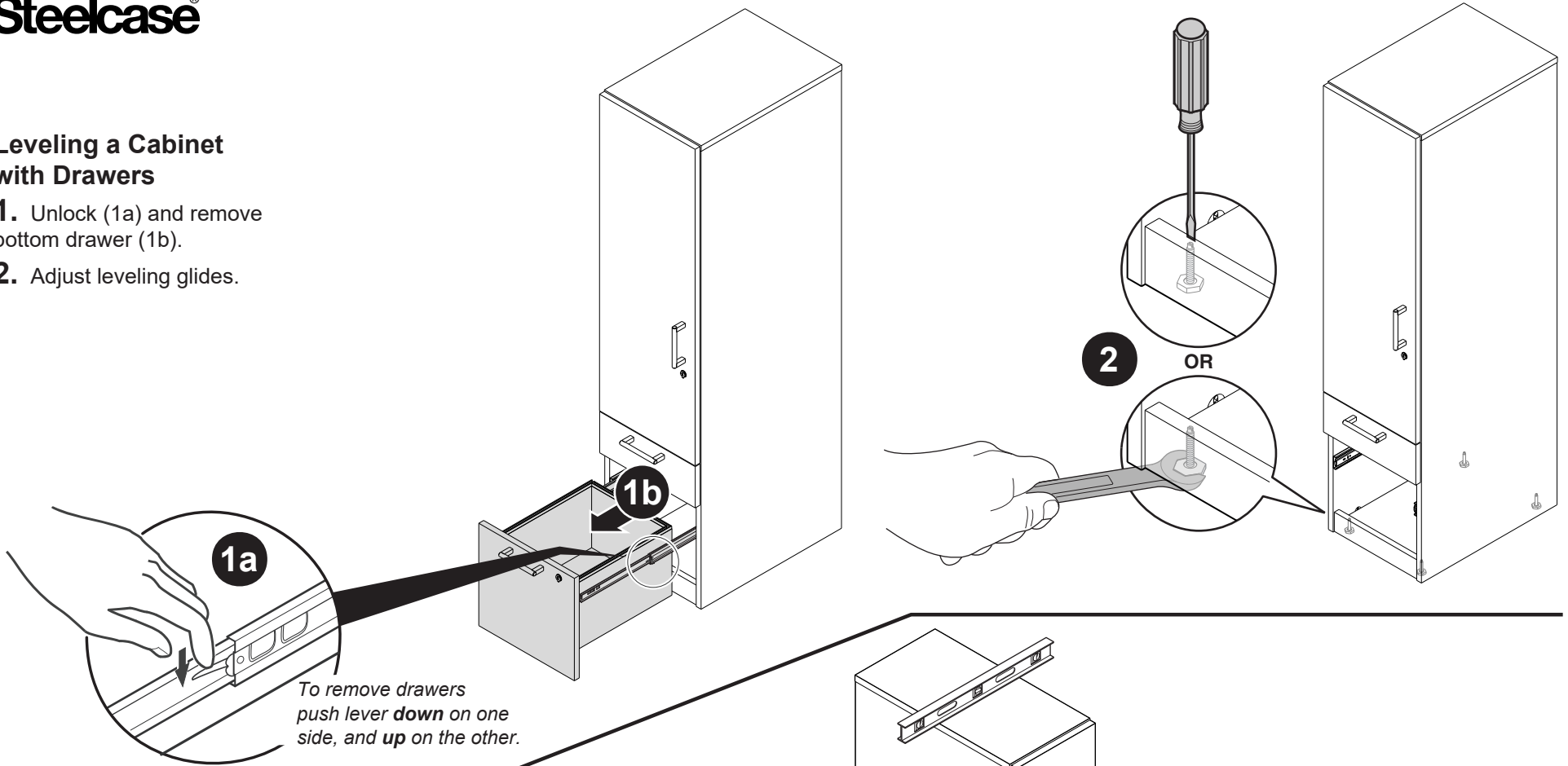
U.S.A.

Printed in U.S.A.



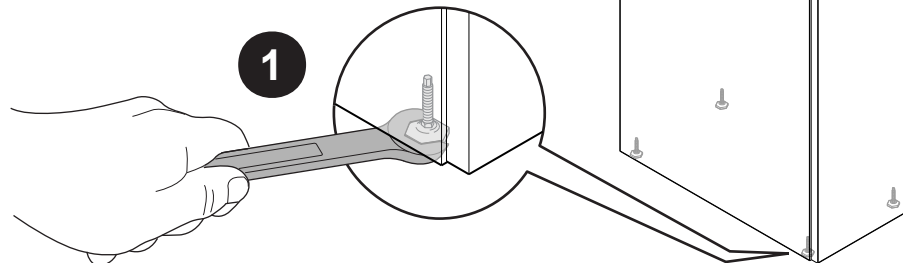
Leveling a Cabinet with Drawers

1. Unlock (1a) and remove bottom drawer (1b).
2. Adjust leveling glides.



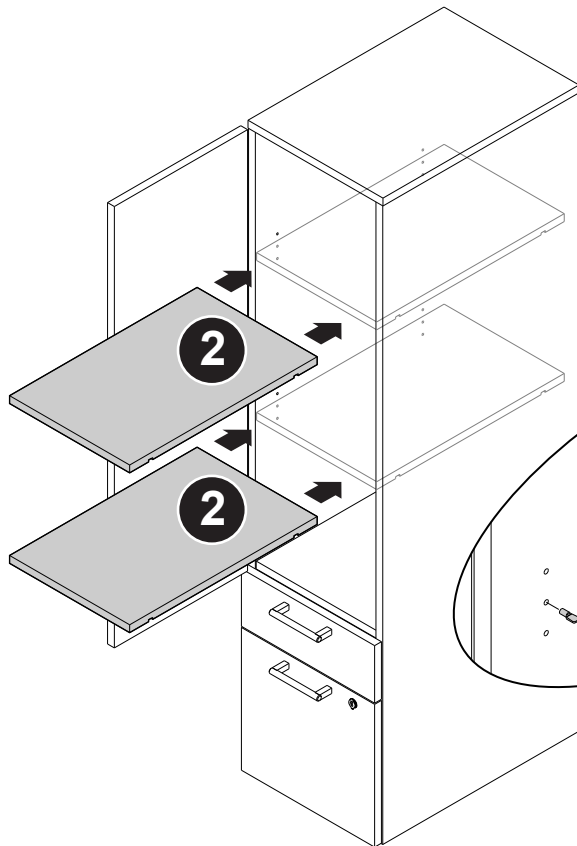
Leveling a Cabinet without Drawers

1. Adjust leveling glides.



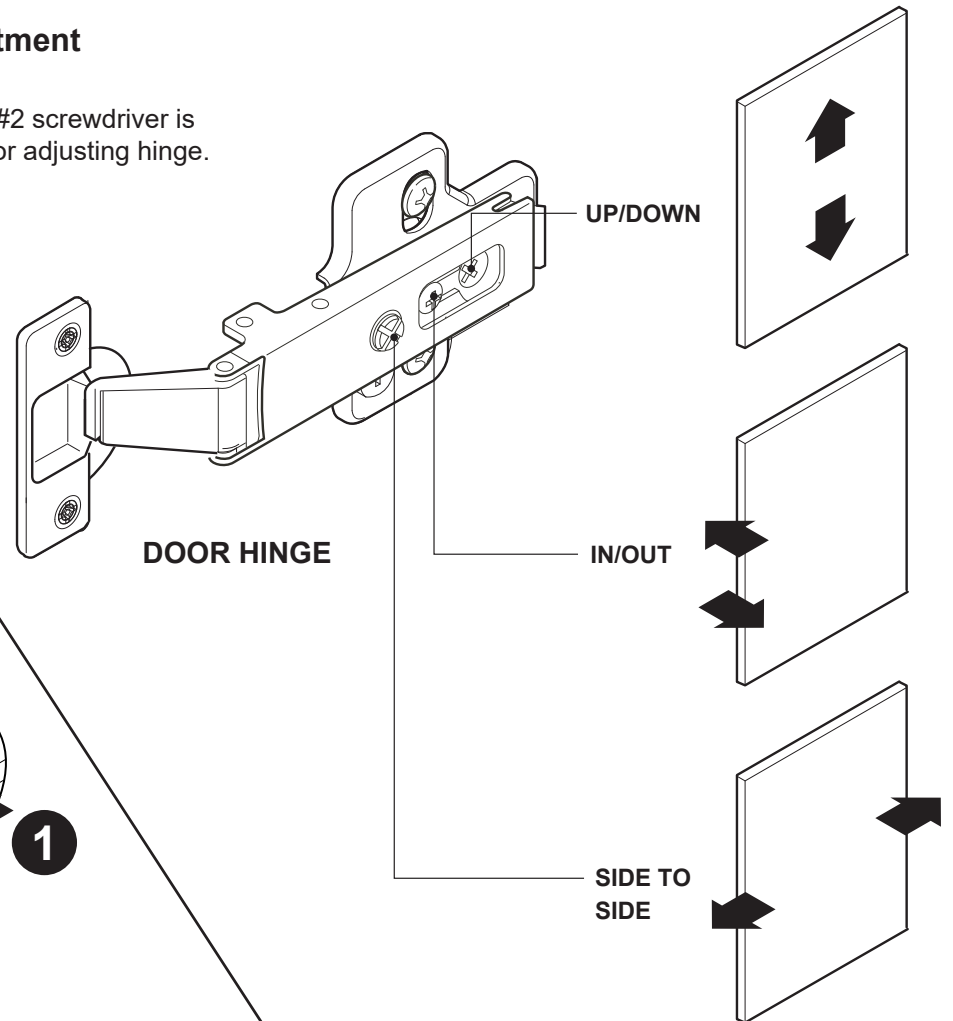
Adjustable Shelf Installation

1. Install (4) shelf pins per shelf in desired location as shown.
2. Lower each shelf into place.



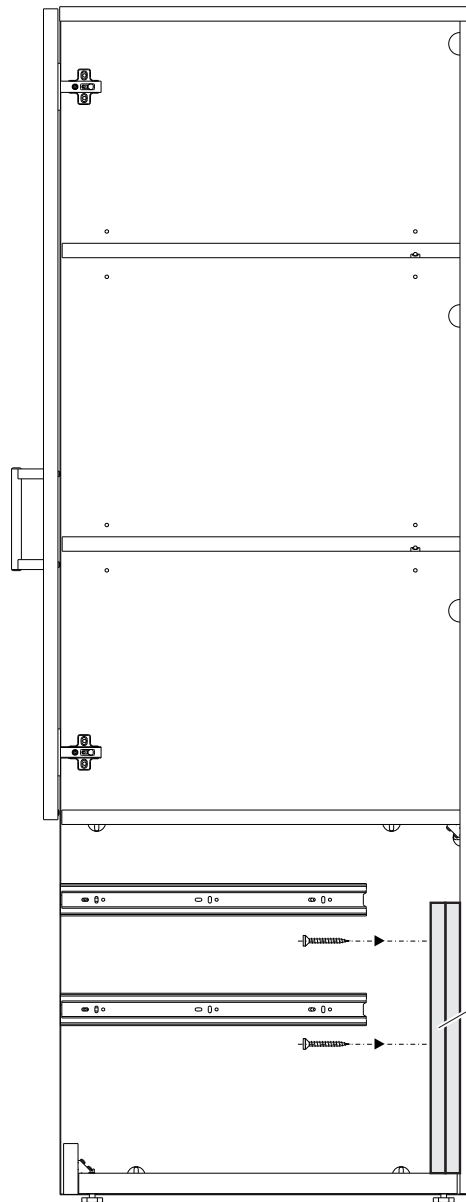
Hinge Adjustment

Adjust doors. A #2 screwdriver is recommended for adjusting hinge.



For style # CRTW (Single Door above Drawers)

Two (2) counterweights are required.



Install both counterweights on top of each other, behind the drawers, using four (4) #10 x 2" flat head screws through the holes provided.

