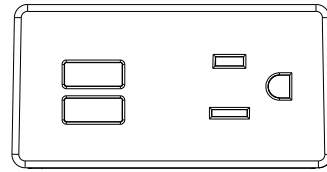
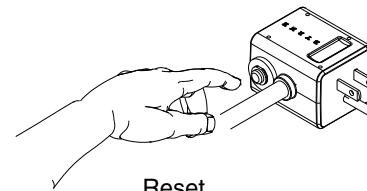


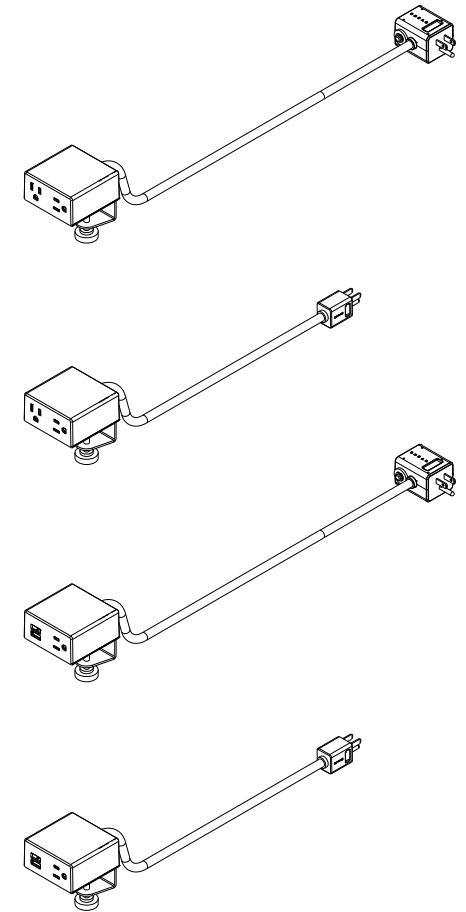
120v AC 120v AC



USB Type-A 120v AC  
(10w 2a)



Reset  
 Réinitialiser  
 Reinciar  
 (15 amp)



**Notice:**

A Furniture Power Distribution Unit is not for permanent installation as part of the building structure and not for mounting in a permanently-installed furnishing such as a fixed countertop.

© 2020 Steelcase Inc.  
 Grand Rapids, MI 49501  
 U.S.A.

Printed in U.S.A.

© 2020 Steelcase Inc.  
 Grand Rapids, MI 49501  
 États-Unis  
 Imprimé aux États-Unis

© 2020 Steelcase Inc.  
 Grand Rapids, MI 49501  
 U.S.A.  
 Impreso en los EE.UU.

If you have a problem, question, or request, call your local dealer, or Steelcase Line 1 at **888.STEELCASE** (888.783.3522) for immediate action by people who want to help you.

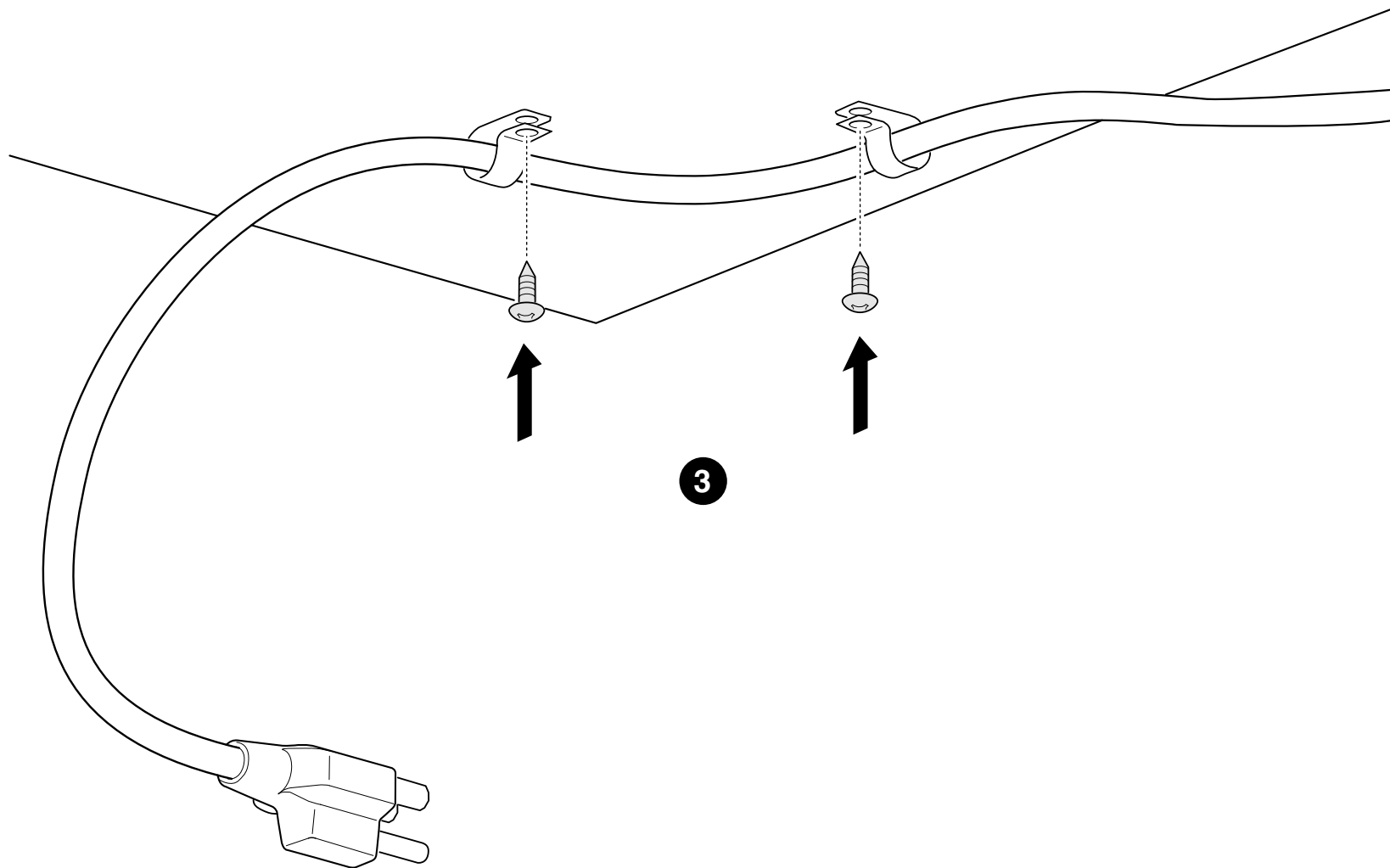
Si vous avez problème, une question à poser ou une requête à faire, appelez votre concessionnaire local ou Steelcase, ligne 1, au numéro **888.STEELCASE** (888.783.3522)

Si tiene algún problema, pregunta o pedido, llame a su distribuidor local, o a la línea 1 de Steelcase al **888.STEELCASE** (888.783.3522) para una respuesta inmediata de parte de quienes desean ayudarle.

(Outside the U.S.A., Canada, Mexico, Puerto Rico, and the U.S. Virgin Islands, call: 1.616.247.2500) Or visit our website: [www.steelcase.com](http://www.steelcase.com)

(En-dehors des États-Unis, du Canada, Mexico, de Puerto Rico et des los EE.UU., llame al 1.616.247.2500) o visite nuestro sitio web: [www.steelcse.com](http://www.steelcse.com)

(Fuera de los EE.UU., Canadá, México, Puerto Rico y las Islas Virgenes de los EE.UU., llame al 1.616.247.2500) o visite nuestro sitio web: [www.steelcse.com](http://www.steelcse.com)



This device complies with part 15 of the FCC rules. Operation is subject to the following two conditions: (1) this device may not cause harmful interference, and (2) this device must accept any interference received, including interference that may cause undesired operation.

This class A digital apparatus complies with Canadian ICES-003,  
Cet appareil numérique de la classe A est conforme à la norme NMB-003 du Canada.