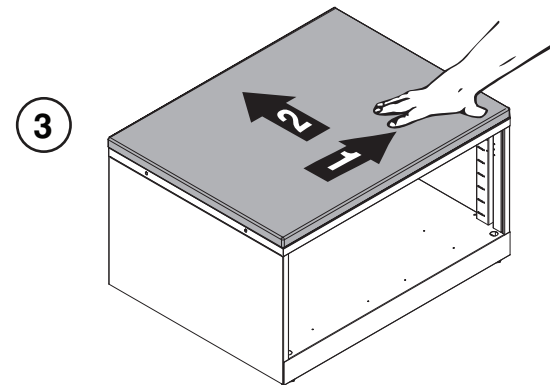
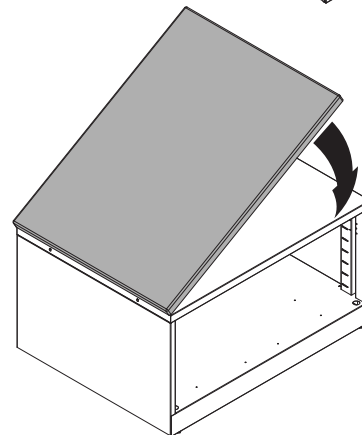
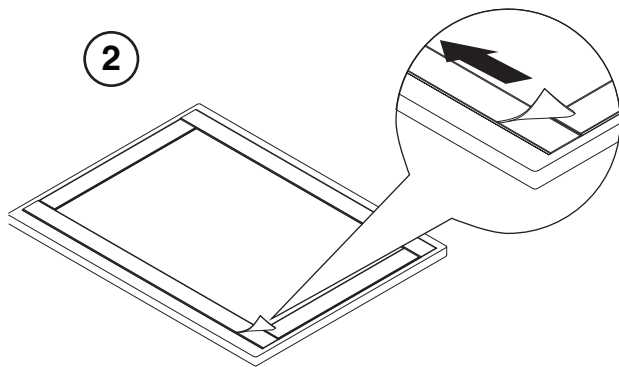
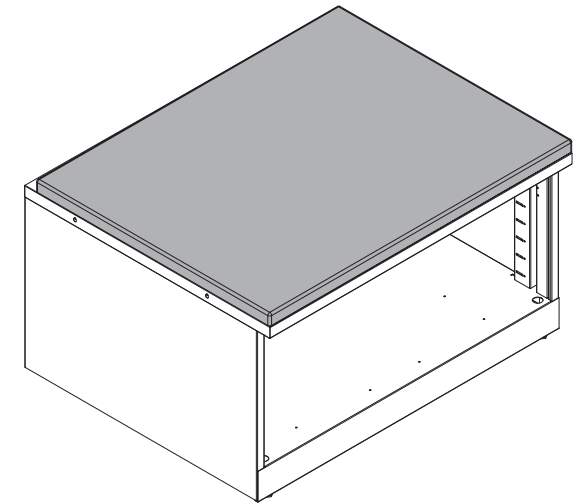
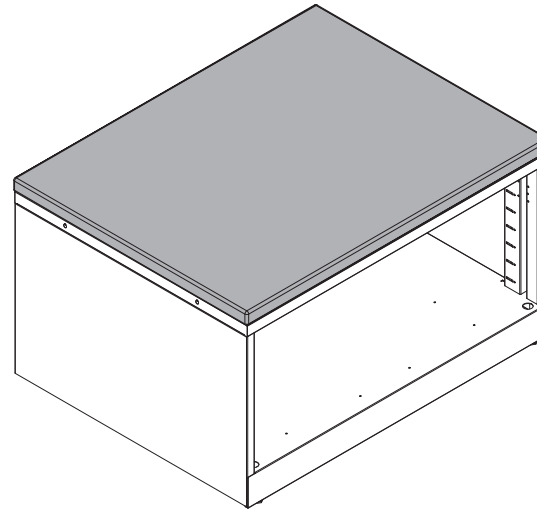


1. Clear top of storage case of dust and debris.
2. Remove liner from back of velcro on the cushion.
3. Visually align cushion on storage case so that it is centered side to side. Adhere cushion to storage case top by laying down the side edge of the cushion and then pressing across and back.

**NOTE:** Cushion should always be flush to front of storage case top.

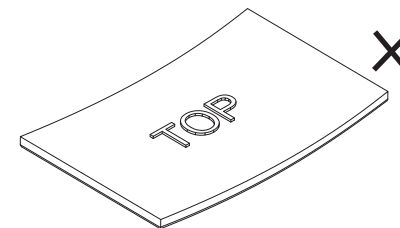
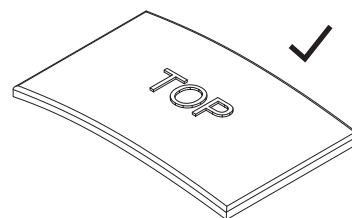


If you have a problem, question, or request, call your local dealer, or Steelcase Line 1 at **888.STEELCASE** (888.783.3522) for immediate action by people who want to help you. (Outside the U.S.A., Canada, Mexico, Puerto Rico, and the U.S. Virgin Islands, call: 1.616.247.2500) Or visit our website: [www.steelcase.com](http://www.steelcase.com)

© 2020 Steelcase Inc.  
Grand Rapids, MI 49501  
U.S.A.

Printed in U.S.A.

**NOTE :** Cushion may appear warped upon uncartoning.  
Cushion will straighten upon installation onto storage case.



A Basic Cushion on a 30" or 36" wide Open Lateral will require a brace to be installed.

5. Apply double-sided tape to the front edge of Support Brace.
6. Position Support Brace up into top as shown.
7. Pull Support Brace to the front of cabinet so that the tape engaged with Top Brace.

