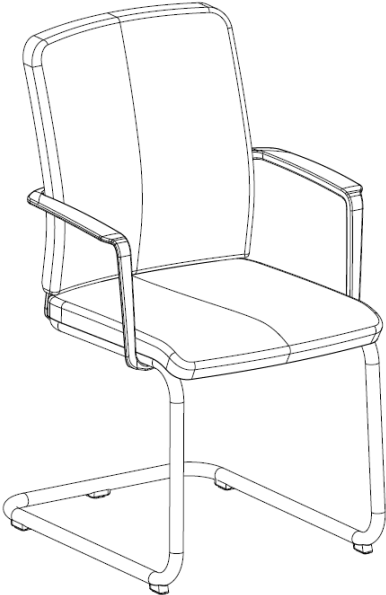
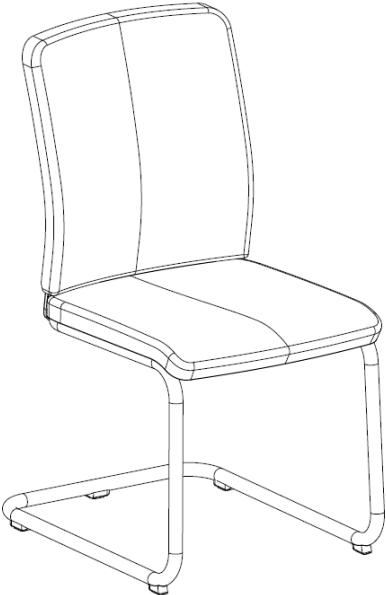


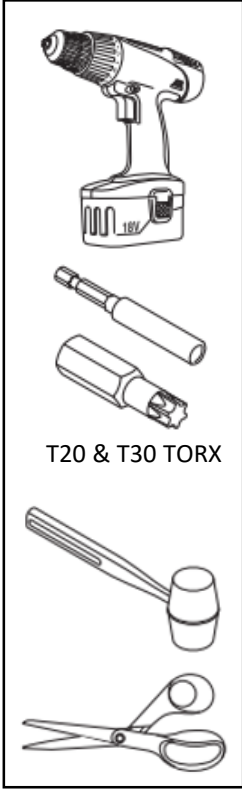
415 NORTHSIDE Disassembly Instruction



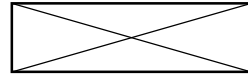
NORTHSIDE WITH ARMRESTS



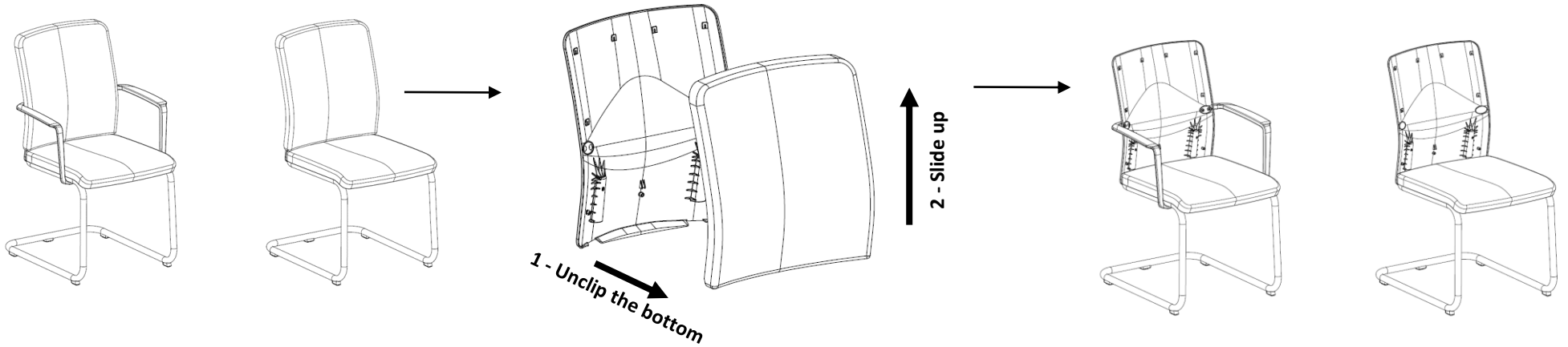
NORTHSIDE WITHOUT ARMRESTS



T20 & T30 TORX



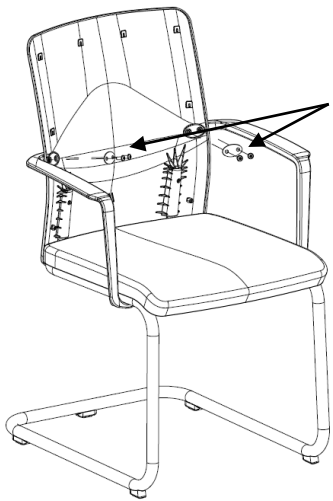
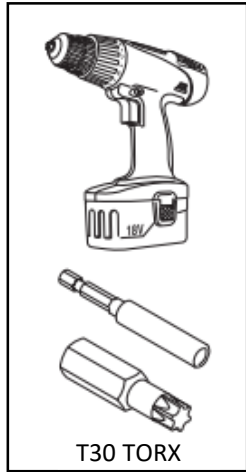
Remove the “Backrest Upholstery” from the “Outer Back Shell”



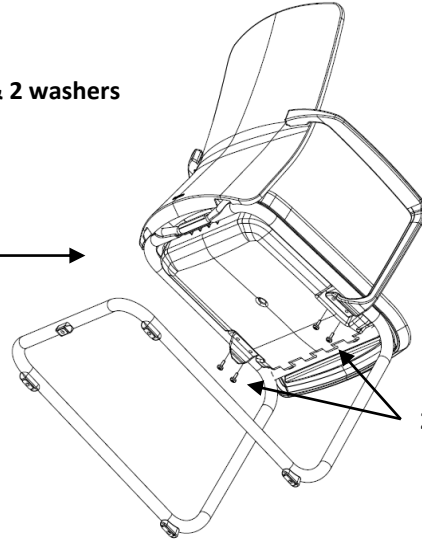
Removed part(s)	
1X	<ul style="list-style-type: none"> → Polypropylene (PP) → PU Foam → Fabric/Leather

STEP 1	STEP 2	STEP 3	STEP 4	STEP 5
Remove "Armrests"				

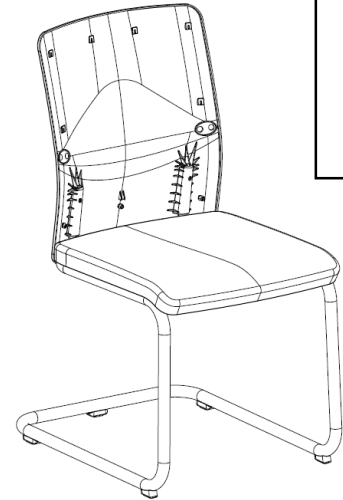
Using tools



1 - Remove 4 screws & 2 washers from the backrest

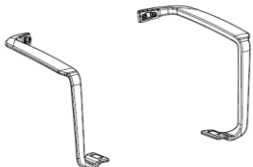


2 - Remove 4 screws from the frame



Removed part(s)

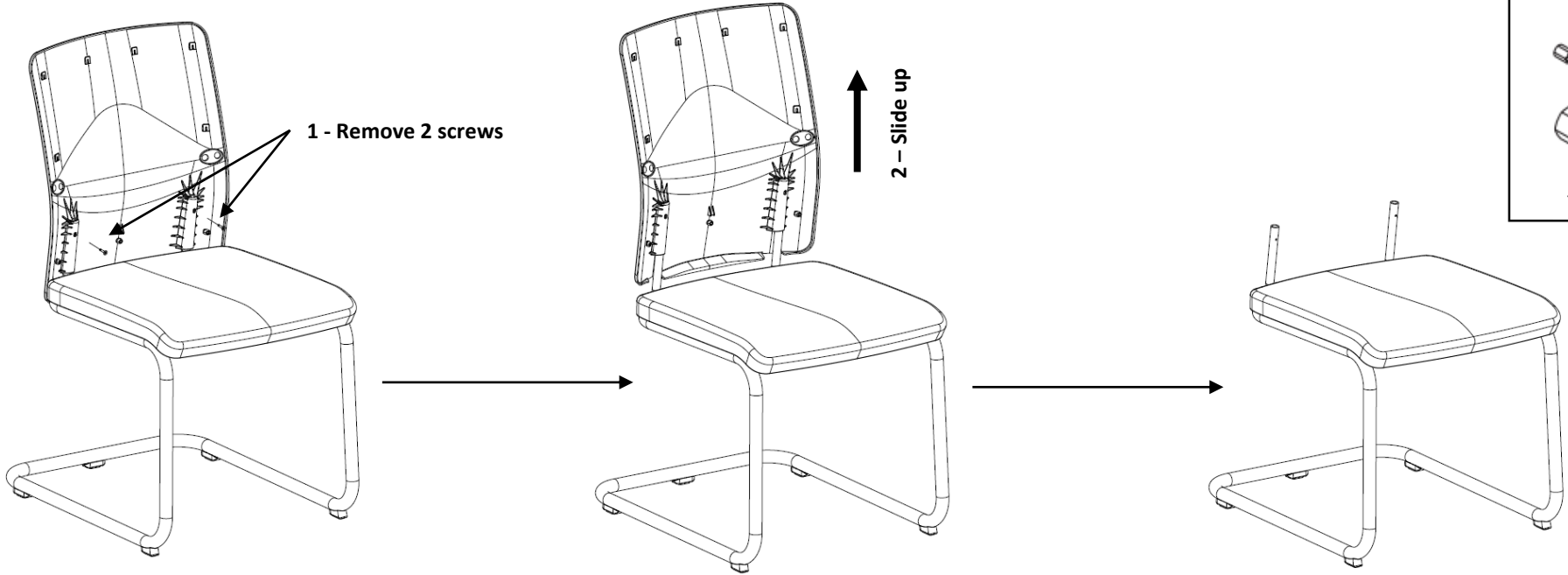
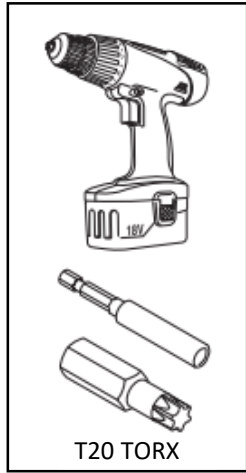
1X



Polyamide 6 - 30% Glass Fiber (PA6 30%)

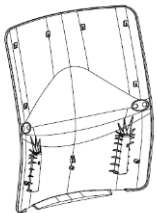
STEP 1	STEP 2	STEP 3	STEP 4	STEP 5
Remove the "Outer Back Shell"				

Using tools



Removed part(s)

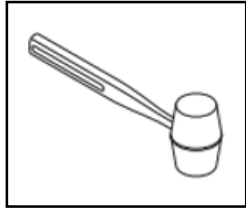
1X



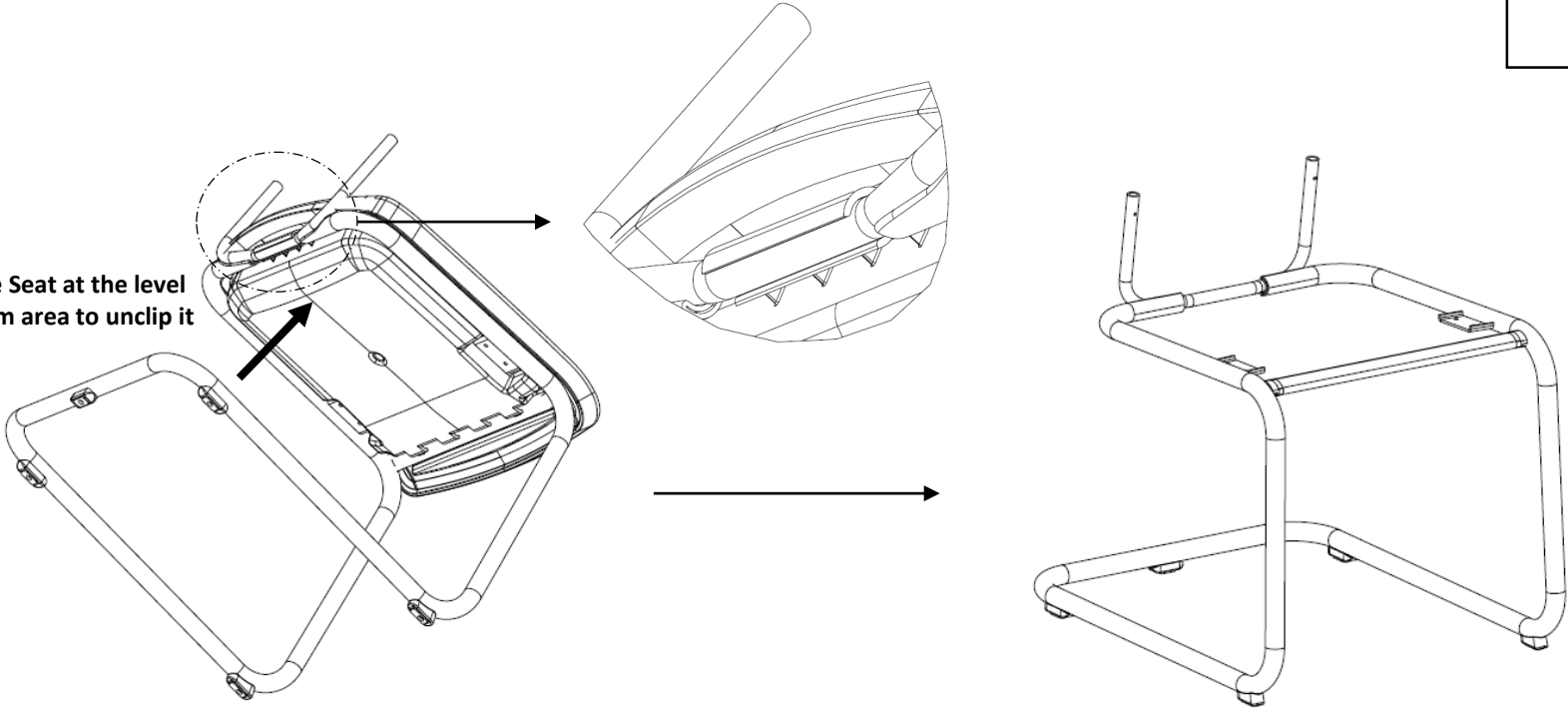
Polypropylene (PP)

STEP 1	STEP 2	STEP 3	STEP 4	STEP 5
Remove the "Seat"				

Using tools

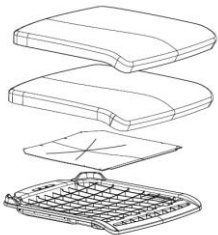


1 – Punch the Seat at the level of rear bottom area to unclip it



Removed part(s)

1X

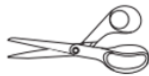


Fabric/Leather

PU Foam

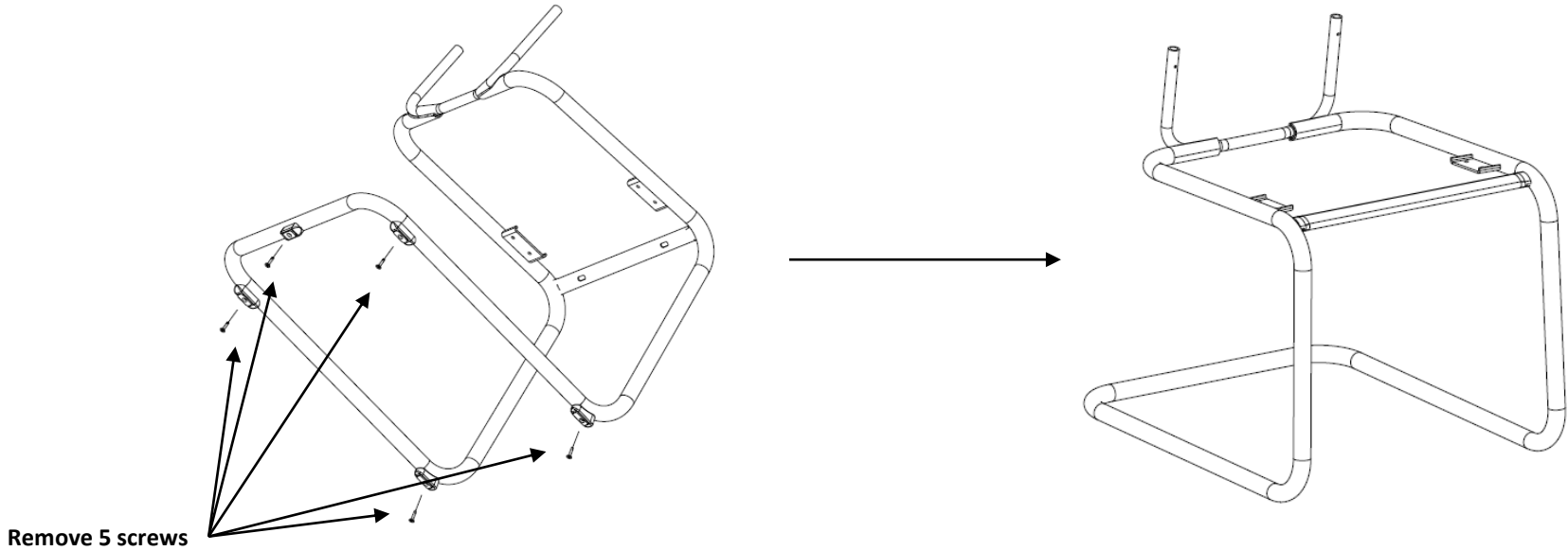
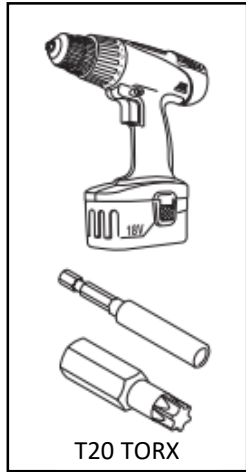
Cardboard

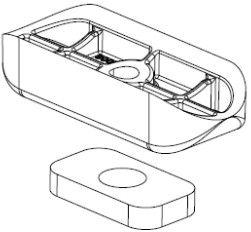
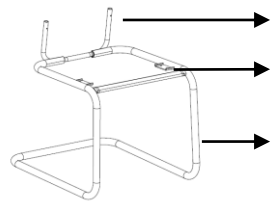
Polypropylene (PP)



STEP 1	STEP 2	STEP 3	STEP 4	STEP 5
Remove "Glides"				

Using tools



Removed part(s)	Remaining part
<p>5X</p>  <p>Polyamide 66 (PA 66)</p> <p>Lightweight felt (Could be optional)</p>	 <ul style="list-style-type: none"> → Steel (S50D) → Steel (DC01) → Steel (S355)