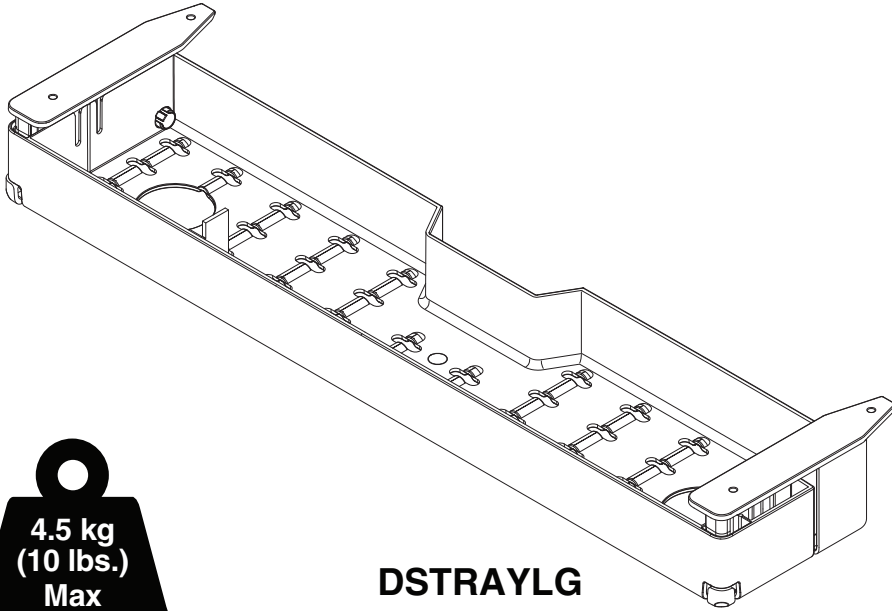
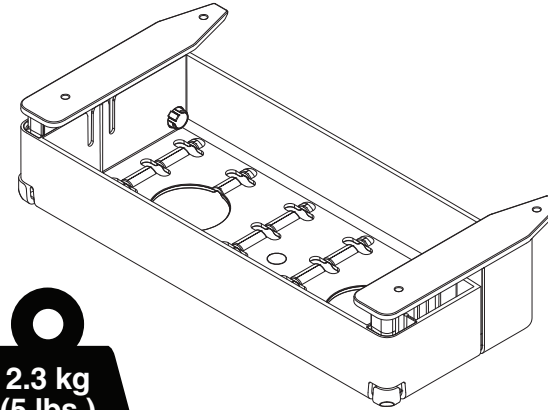


Universal Cable Management Kit Kit de gestion de câbles universel Kit universal de gestión de cables



**4.5 kg
(10 lbs.)
Max**

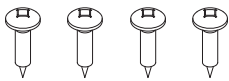
DSTRAYLG



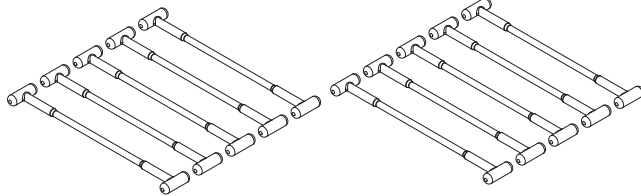
**2.3 kg
(5 lbs.)
Max**

DSTRAYSM

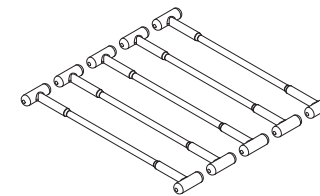
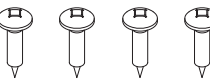
Hardware Package - Quincaillerie - Paquete de herrajes



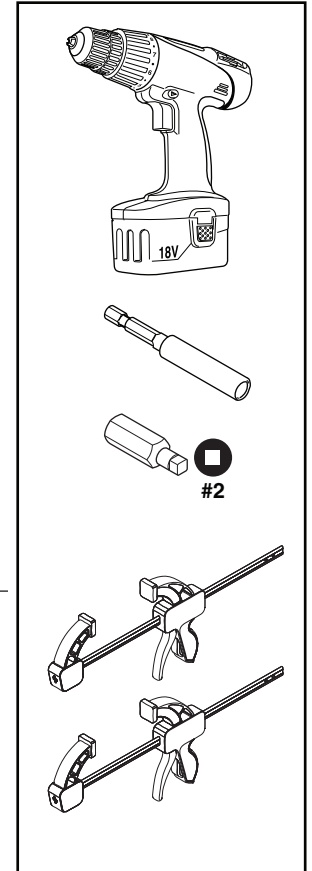
10-9 x 0.875 (4x)



1373057001SR (2x)



1373057001SR (1x)



© 2020 Steelcase Inc.
Grand Rapids, MI 49501
U.S.A.
Printed in U.S.A.

© 2020 Steelcase Inc.
Grand Rapids, MI 49501
États-Unis
Imprimé aux États-Unis

© 2020 Steelcase Inc.
Grand Rapids, MI 49501
U.S.A.
Impreso en los EE.UU.

If you have a problem, question, or request, call your local dealer, or Steelcase Line 1 at **888.STEELCASE** (888.783.3522) for immediate action by people who want to help you.

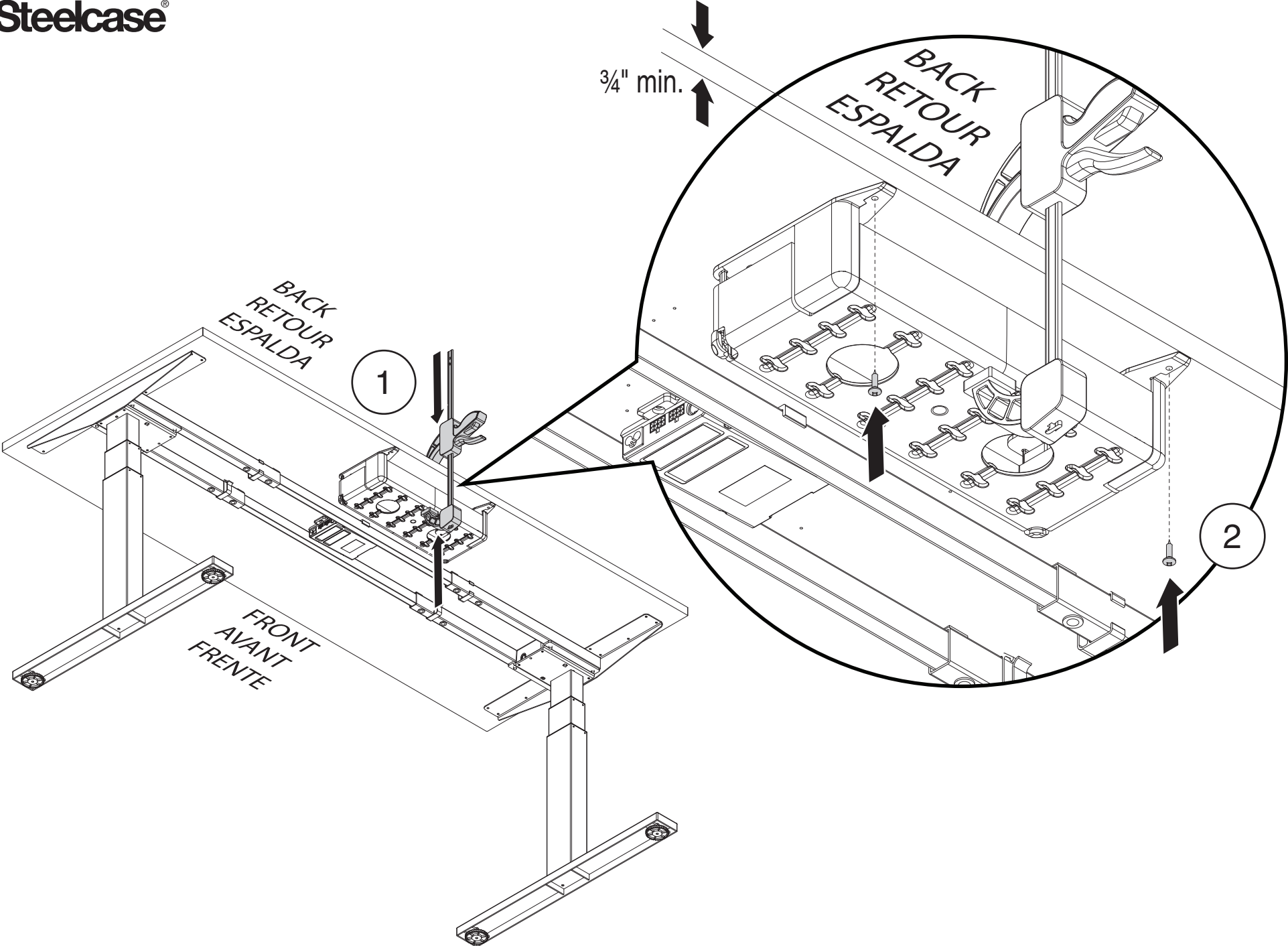
*Si vous avez un problème, une question à poser ou une requête à faire, appelez votre concessionnaire local ou Steelcase, ligne 1, au numéro **888.STEELCASE** (888.783.3522) pour obtenir une action immédiate de personnes prêtes à vous aider.*

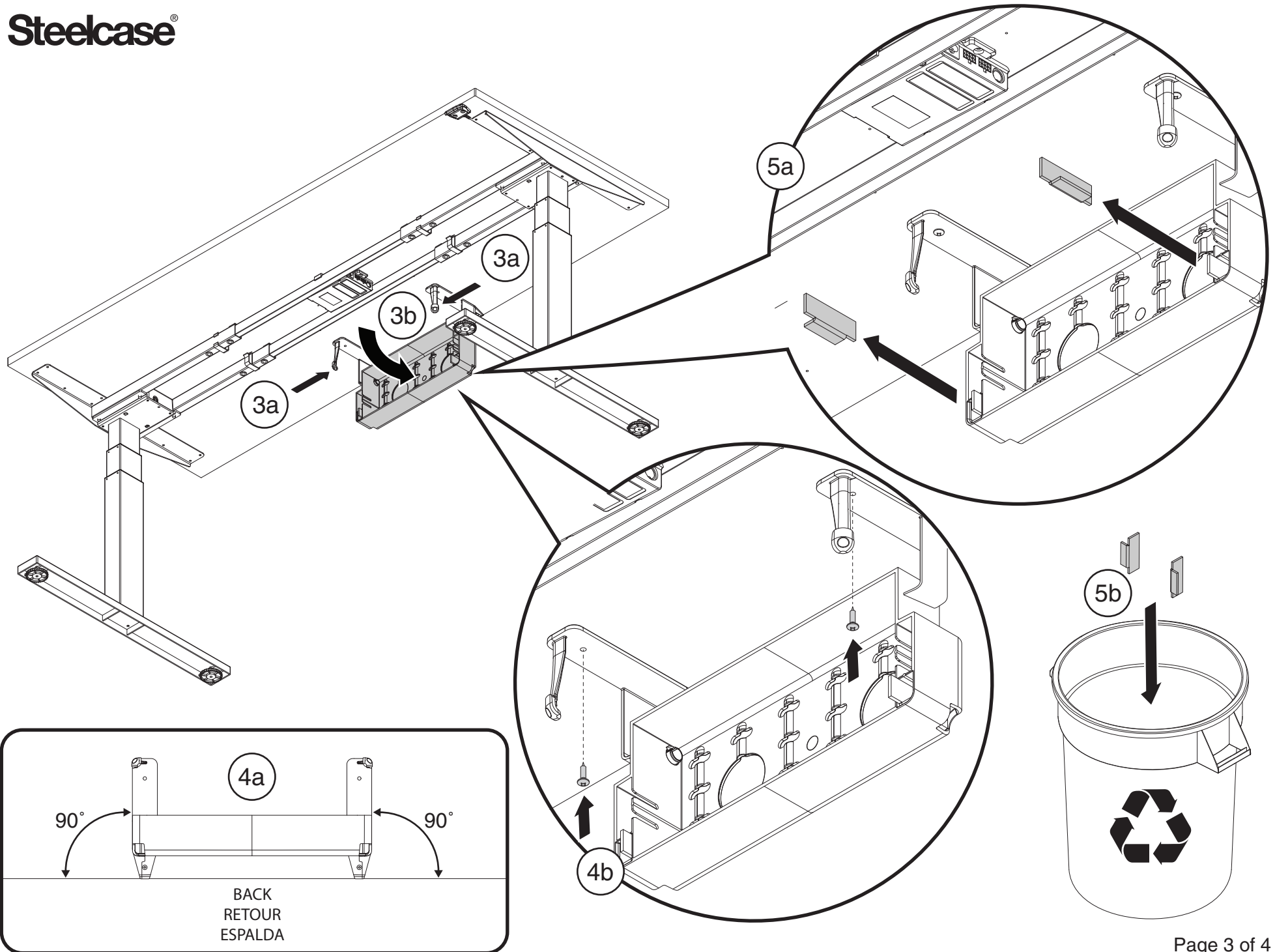
Si tiene algún problema, pregunta o pedido, llame a su distribuidor local, o a la línea 1 de Steelcase al **888.STEELCASE** (888.783.3522) para una respuesta inmediata de parte de quienes desean ayudarle.

(Outside the U.S.A., Canada, Mexico, Puerto Rico, and the U.S. Virgin Islands, call: 1.616.247.2500)
Or visit our website: www.steelcase.com

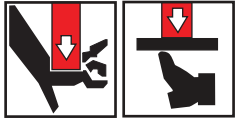
*(En-dehors des États-Unis, du Canada, du Mexique, de Porto Rico et des Antilles américaines, composez le 1.616.247.2500)
Ou visitez notre site Web à l'adresse: www.steelcase.com*

(Fuera de los EE.UU., Canadá, México, Puerto Rico y las Islas Vírgenes de los EE.UU., llame al 1.616.247.2500)
o visite nuestro sitio web: www.steelcase.com





⚠ WARNING ⚠ ADVERTENCIA ⚠ AVERTISSEMENT ⚠ ATENÇÃO



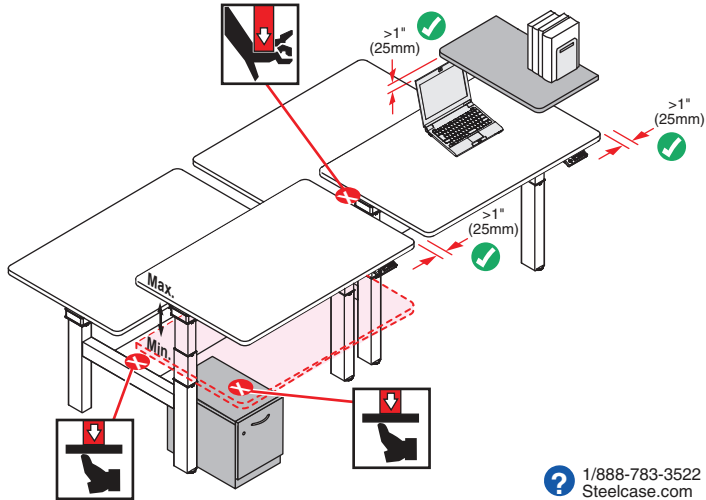
Crush Hazard - Keep Clear
 Peligro de aplastamiento - Manténgase alejado
 Risque d'écrasement - Demeurez à l'écart
 Perigo de esmagamento - Afaste-se



No children
 Sin hijos
 Pas d'enfants
 Proibidas crianças



Read Directions and Manual first
 Lea primero las instrucciones y el manual
 Lisez d'abord les directives et le guide
 Leia as Instruções e o Manual primeiro



? 1/888-783-3522
 Steelcase.com

- **RISK OF DEATH OR SERIOUS INJURY.** Raising or lowering desk can trap, pinch or crush body parts or property.
- **CRUSH HAZARD – DO NOT PLACE FEET OR OTHER BODY PARTS UNDER MODESTY SCREENS, ON CROSSBAR OR ON OBJECTS PLACED UNDER TABLE TOP.**
- **DO NOT OPERATE THIS EQUIPMENT** Unless Properly Trained.
- **DO NOT ALLOW USE BY CHILDREN** or people unable to understand the risks and to safely adjust the desk height.
- **Maintain > 1" (25mm) gap above objects on desk at max. height and between the desk and adjacent objects.** Locate desk, accessories and nearby objects to allow movement of desktop through full range without pulling cords, trapping body parts or colliding with anything (shelves, electrical plugs and cords, door knobs, window sills, storage cabinets, etc.).

