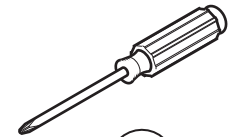
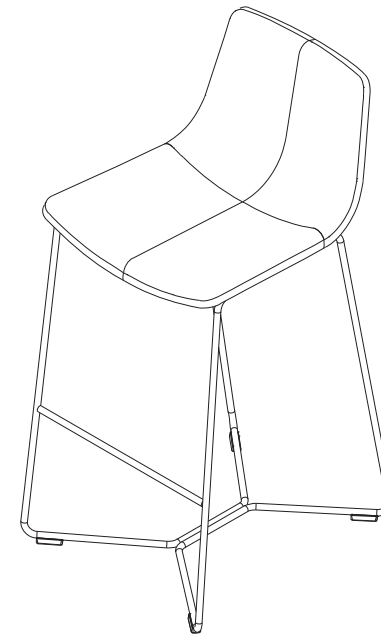
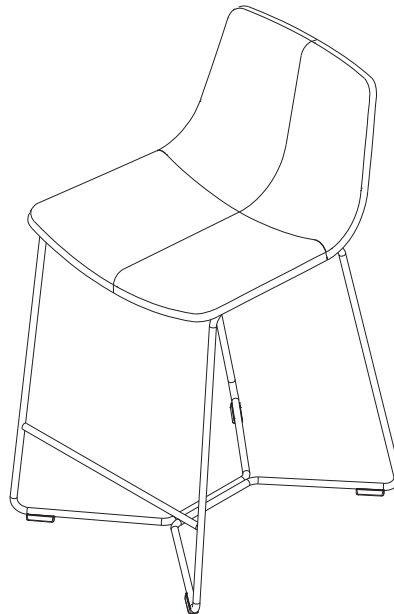
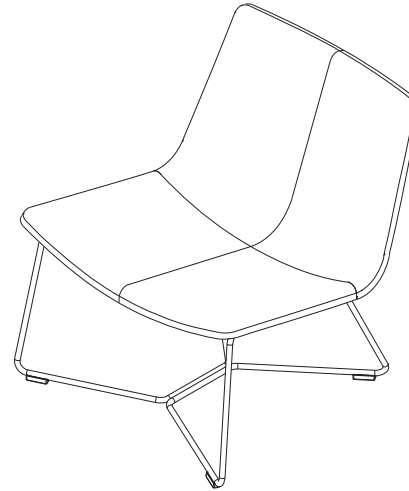
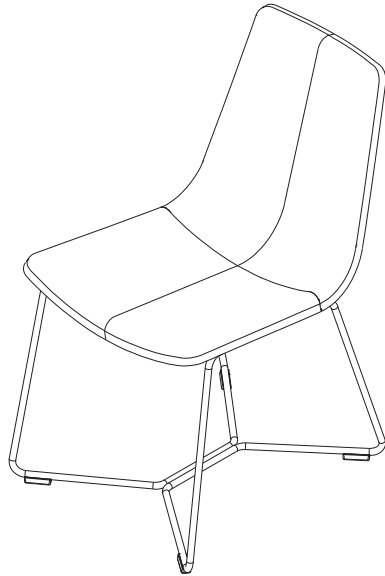


**Slope Wire Frame Seating
Customer Service Instruction**

T20 & T30

If you have a problem, question, or request, call your local dealer, or Steelcase Line 1 at **888.STEELCASE** (888.783.3522) for immediate action by people who want to help you.

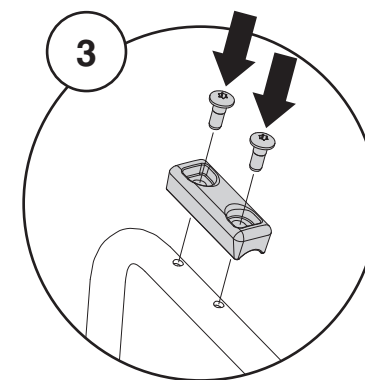
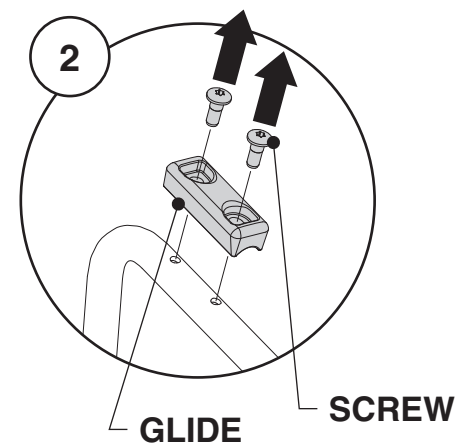
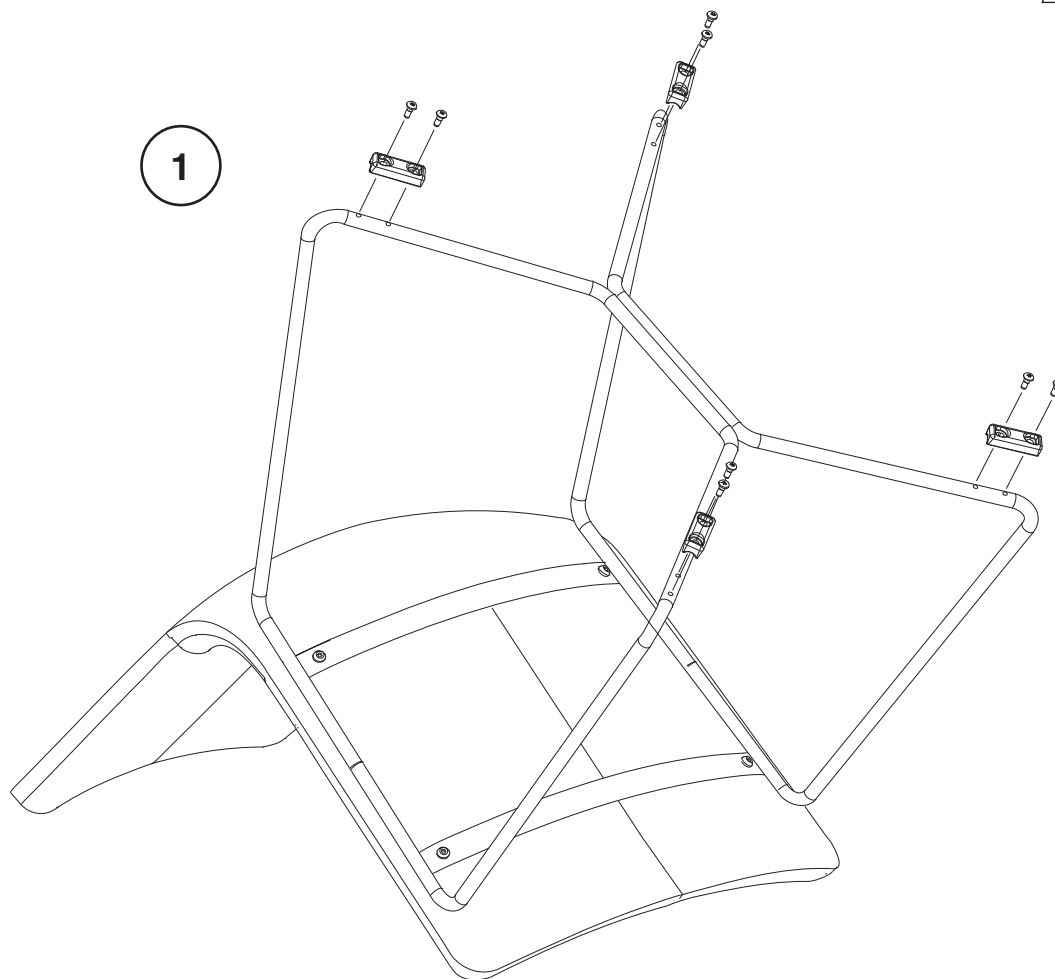
(Outside the U.S.A., Canada, Mexico, Puerto Rico, and the U.S. Virgin Islands, call: 1.616.247.2500)
Or visit our website: www.steelcase.com

© 2017 Steelcase Inc.
Grand Rapids, MI 49501
U.S.A.

Printed in U.S.A.

Glide Replacement for X-Base Guest, Counter Height, Bar Height Chairs, & Lounge

1. Place chair, face down, on a clean scratch resistant surface.
2. Remove two (2) torx drive, pan head screws for any glides that need to be replaced.
3. Using new torx drive, pan head screws provided, align new glides with pilot holes and tighten to 75 in-lbs (8.5 Nm).



Frame / Cushion Replacement for X-Base Guest, Counter Height, Bar Height Chairs, & Lounge

1. Place chair, face down, on a clean scratch resistant surface.
2. Remove four (4) torx head bolts, lock washers and flat washers and remove old frame.
3. Align seat shell with the new frame. Reinstall four (4) torx head bolts, lock washers and flat washers to 48 in-lbs (5.5 Nm).
4. Reinstall glides per page 2.

