

If you have a problem, question, or request, call your local dealer, or Steelcase Line 1 at **888.STEELCASE** (888.783.3522) for immediate action by people who want to help you. (Outside the U.S.A., Canada, Mexico, Puerto Rico, and the U.S. Virgin Islands, call: 1.616.247.2500) Or visit our website: www.steelcase.com

© 2019 Steelcase Inc.
Grand Rapids, MI 49501
U.S.A.
Printed in U.S.A.

WARNING

Do Not reuse this part in any reconfiguration
Reuse could result in wall falling over
For FREE replacement, contact Steelcase
Dealer or call 1-888-789-3522
This configuration was inspected in 2019

1357660001 rev A

NOTE: TWO labels per ceiling track - placed on opposite ends of the track



**1”x 3” labels should be placed on each individual section of track
Labels should be placed as follows:**



On inside of ceiling track accessible through distribution slot

OR



On front or back of ceiling track if hidden under skin (1” overlap needed)

OR



On top of ceiling track if accessible through drop ceiling

1. Gain access to upper structural horizontal by removal of skin or side C glass or door.
2. Locate power distribution slots in upper horizontal (these repeat approximately every 2 feet).

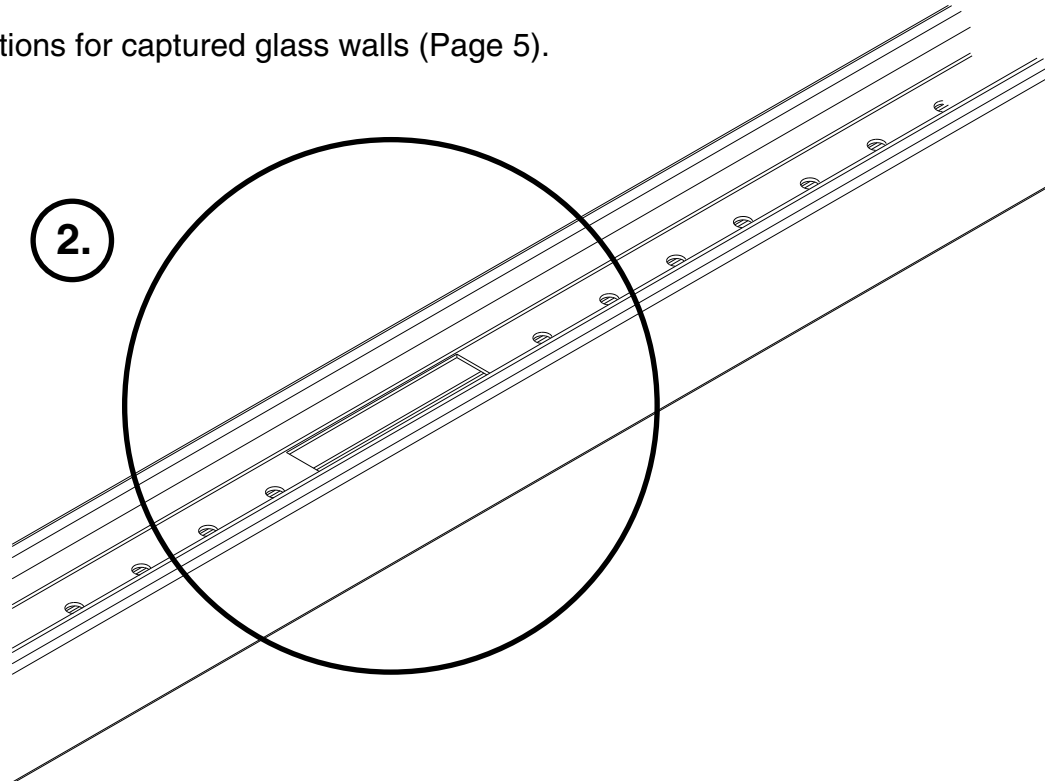
NOTE: 5 brackets is minimum requirement per 10 feet of wall width. More data slots may be available but it's necessary to locate brackets at ends and middle of wall with additional brackets distributed approximately every 2 feet.

3. See special instructions for captured glass walls (Page 5).

1.

Removal Instructions:		
Skin	939502320	Pg. 15
Glass	939502344	Pg. 11-12

2.



4. Attaching support bracket to upper horizontal and ceiling track:

4a. Make sure screw slot in second bracket (that attaches to ceiling track) is clear of mounting slots in ceiling track.

4b. Adjust location of first bracket as needed or mount on other side of power distribution slot.

Also note location of skin brackets and position support brackets to not interfere or relocation of skin bracket may be necessary

4c. Using #12 screws (2) attach first bracket to upper horizontal.

4d. Make sure second bracket is centered and touching ceiling track.

4e. Using #12 screws (2) attach second bracket to ceiling track.

4f. Reinstall skins and door as needed.



- 5.** Side A glass/trim needs to be partially (or completely) removed to gain access to power distribution slots
- 5a.** Remove Side A glass upper horizontal glazing bracket screws.
- 5b.** Remove Side A glass upper vertical mounting bracket screws.
- 5c.** Shim side A glass enough to allow support bracket installation (or remove glass panel).
- 5d.** Slide glazing brackets out of the way to allow support bracket installation.
- 5e.** Position support brackets in slot and mark location of bracket attaching to ceiling track flush (or slightly below upper bracket) with upper horizontal (cannot protrude past glazing bracket).
- 5f.** Cut bracket(s) at marked locations.
- 5g.** Proceed to support bracket installation instructions (step 4).
- 5h.** Reinstall glass glazing brackets and Side A glass.

