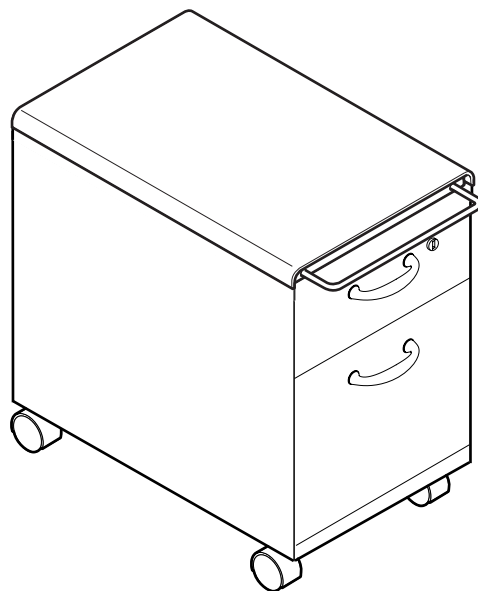


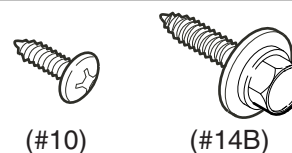
Assembly Direction for 20" & 22" Answer®, 25" S9000®, 24" Ellipse®, and 24" Avenir® Mobile Cap Pedestal Kit



Hardware Packages

20" Answer and 24" Avenir

(2) #10 (front)
(2) #14B (back)



(#10)

(#14B)

22" Answer

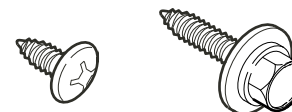
(4) #10 Wood Screw front (2 front, 2 back)



(#10 Wood)

24" Ellipse

(2) #14F (front)
(2) #14B (back)

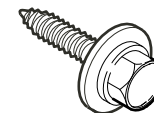


(#14F)

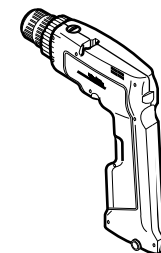
(#14B)

25" Series 9000

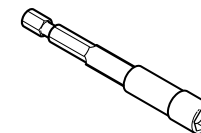
(4) #14B front (2 front, 2 back)



(#14B)



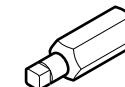
Cordless Drill



5/16" Hex



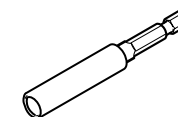
**1/4" dia. drill bit
for steel**



#2 Square Drive Bit



#2 Phillips Drive Bit



If you have a problem, question, or request, call your local dealer, or Steelcase Line 1 at **888.STEELCASE** (888.783.3522) for immediate action by people who want to help you. (Outside the U.S.A., Canada, Mexico, Puerto Rico, and the U.S. Virgin Islands, call: 1.616.247.2500) Or visit our website: www.steelcase.com

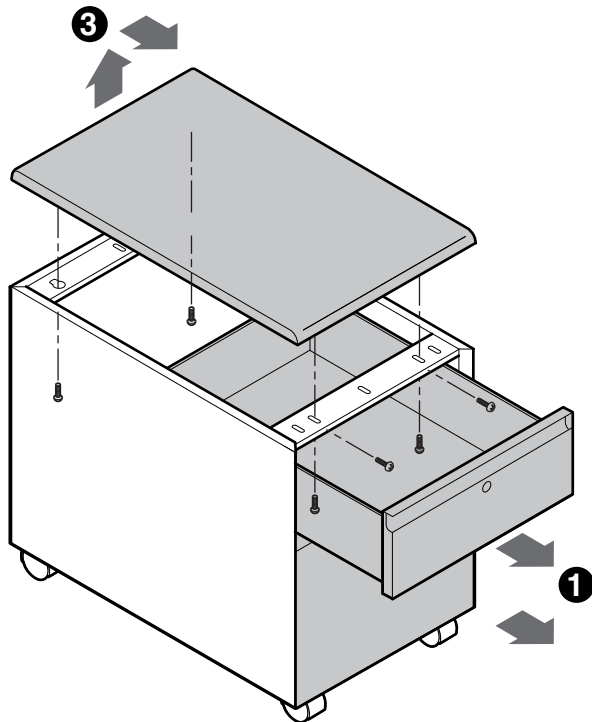
© 2001 Steelcase Inc.
Grand Rapids, MI 49501
U.S.A.

Printed in U.S.A.

NOTE: For pedestals manufactured after Feb 2004, refer to the assembly label on the underside of the universal pedestal cushion kit.

20" Answer, 25" S9000, 24" Ellipse and 24" Avenir Mobile Pedestal

1. Pull box drawer and file drawer out to access screw heads that are beneath the top.
2. Remove the screws.
3. Lift up the top front edge and slide forward to remove. Dispose of the top, recycling where applicable.



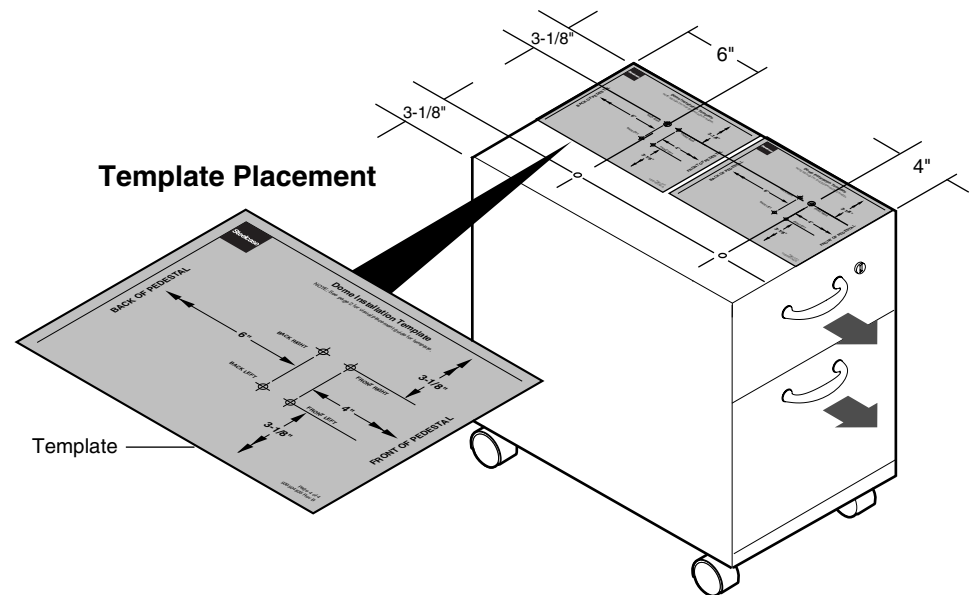
(Series 9000 Mobile Pedestal Shown)

22 " Answer Mobile Pedestal

1. With a marker or spring loaded center-punch, mark four (4) locations on the top of the pedestal per the following dimensions:

- Hole #1: 6" from the back x 3-1/8" from the right side
- Hole #2: 6" from the back x 3-1/8" from the left side
- Hole #3: 4" from the front x 3-1/8" from the right side
- Hole #4: 4" from the front x 3-1/8" from the left side

2. Remove both the drawers from the pedestal.
3. Drill 1/4" diameter holes through the top of steel top at the four (4) marked locations.



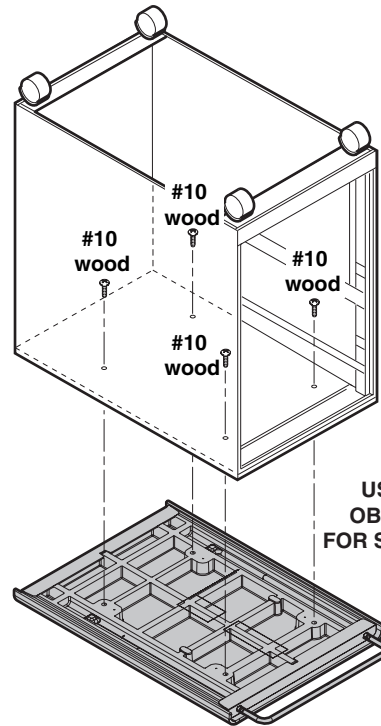
**22 " Answer
Mobile Pedestal**

**25 " S9000
Mobile Pedestal**

**20" Answer, 24" Ellipse
and 24" Avenir Mobile Pedestal**

4. Flip the pedestal over with the front facing forward. Lay the CAP PEDESTAL KIT upside down on a clean surface next to the pedestal with the handle facing forward. Carefully lift and position the pedestal onto the CAP PEDESTAL KIT.

NOTE: Remove all tape and packaging prior to fastening the CAP PEDESTAL KIT into place.

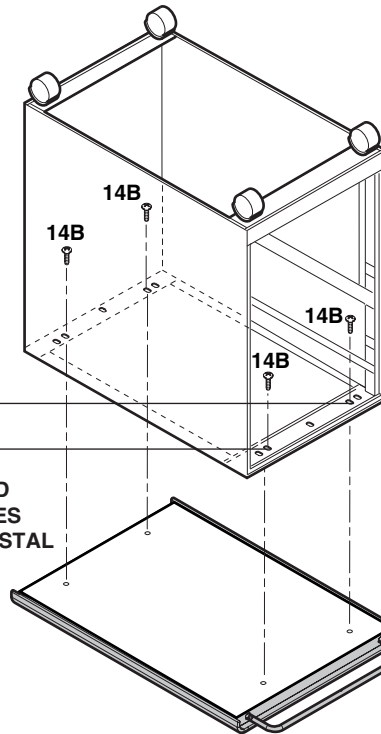


4a. Center the pedestal on the CAP PEDESTAL KIT front-to-rear and side-to-side.

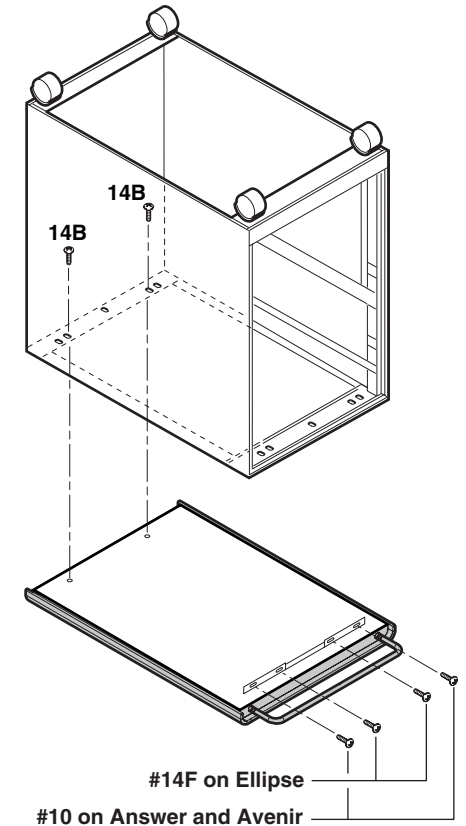
5. Drive the four (4) screws (provided in the enclosed hardware packet) into the CAP PEDESTAL KIT.

6. Carefully flip the pedestal back over and put the drawers back to complete the assembly.

USE INBOARD OBLONG HOLES FOR S9000 PEDESTAL



4b. Bring CAP PEDESTAL KIT mounting plate flush to front edge of pedestal and centered side-to-side.



4c. Bring pedestal against CAP PEDESTAL KIT mounting flange and centered side-to-side.

Dome Installation Template

NOTE: See page 2 for visual placement guide for template.

