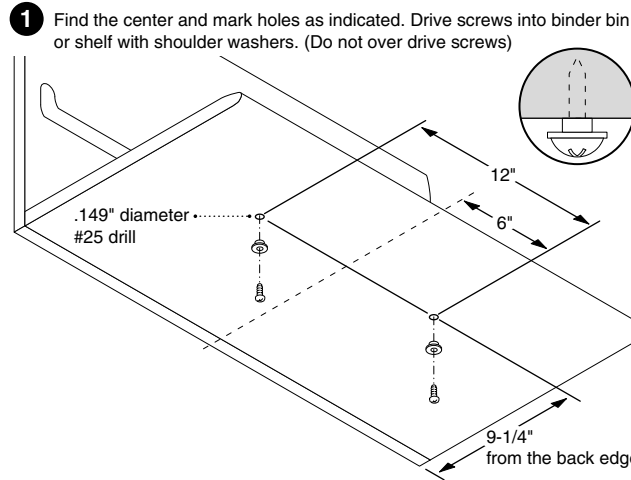
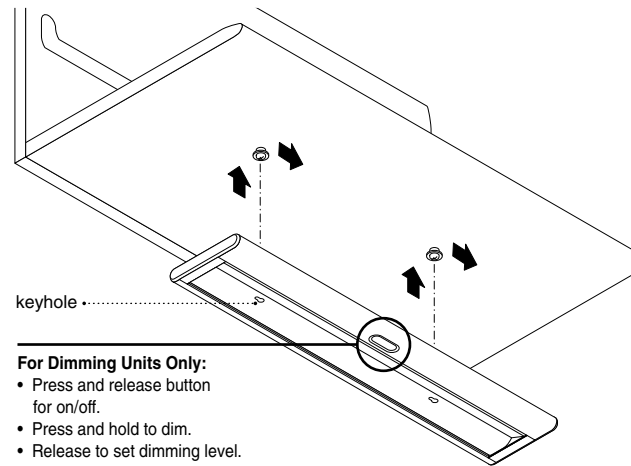


### For Flush Mount (Includes Laboratory Solutions)



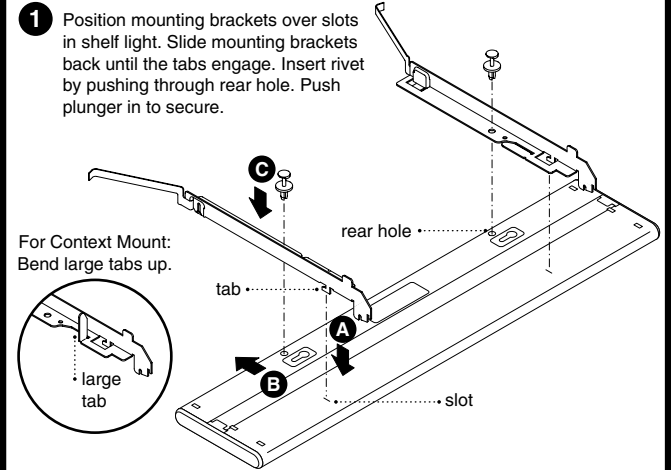
**2** Position the light's keyhole slots over the screws, shift right to engage.



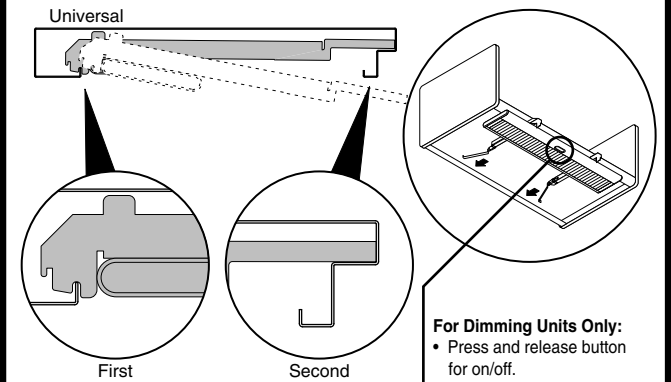
**For Dimming Units Only:**

- Press and release button for on/off.
- Press and hold to dim.
- Release to set dimming level.

### For Recessed Mount



**2** Engage the front hook, then compress the springs to the back area. (NOTE: For 24" Universal Bin, use mounting pack located in bin.)



If you have a problem, question, or request, call your local dealer, or Steelcase Line 1 at **888.STEELCASE** (888.783.3522) for immediate action by people who want to help you. (Outside the U.S.A., Canada, Mexico, Puerto Rico, and the U.S. Virgin Islands, call: 1.616.247.2500) Or visit our website: [www.steelcase.com](http://www.steelcase.com)

© 2008 Steelcase Inc.  
Grand Rapids, MI 49501  
U.S.A.

Printed in U.S.A.



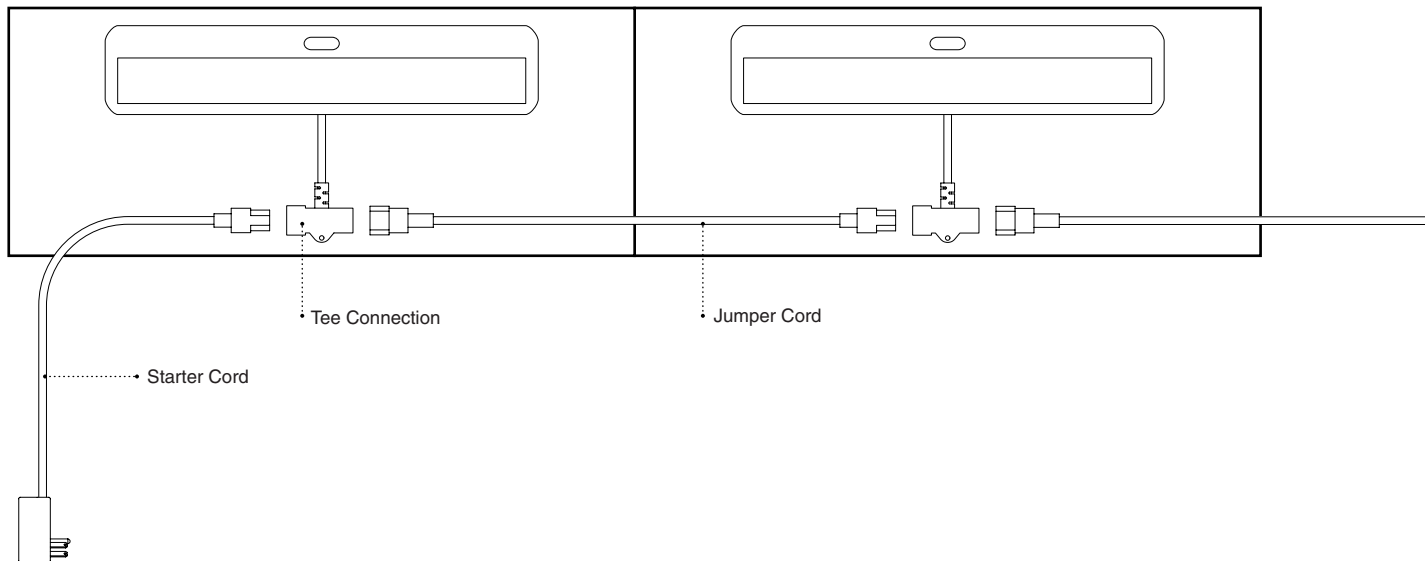
**WARNING:**

**To Prevent Risk of Electrical Shock . . .**

- 1 All electrical installations must be done by qualified personnel in accordance with codes and regulations applicable at the installation site.
- 2 Before beginning work, ensure that the electrical power has been removed from the circuits that are being connected to or disconnected from.
- 3 Ensure that circuits to which the lights are connected are properly grounded and are the correct voltage.
- 4 To prevent wiring damage or abrasion, do not expose wiring to edges of sheet metal or other sharp objects.

## Connection Instructions For Daisy Chain

- 1 Mount light. (See page 1)
- 2 Connect jumper cord between lights.
- 3 Connect starter cord and plug into power receptacle.



**Notice:** This system is design for use within an individual workstation only. Cords must NOT be passed through or inside panels. Do NOT plug into power source until ALL daisy-chain connections in a circuit are completed. Do NOT daisy-chain more than six (6) adjacent lights per circuit. The daisy-chain starter cord with circuit breaker plug and jumper cord MUST be purchased from Steelcase, Inc.



**WARNING:**  
To Prevent Risk  
of Electrical Shock . . .

- 1 All electrical installations must be done by qualified personnel in accordance with codes and regulations applicable at the installation site.
- 2 Before beginning work, ensure that the electrical power has been removed from the circuits that are being connected to or disconnected from.
- 3 Ensure that circuits to which the lights are connected are properly grounded and are the correct voltage.
- 4 To prevent wiring damage or abrasion, do not expose wiring to edges of sheet metal or other sharp objects.