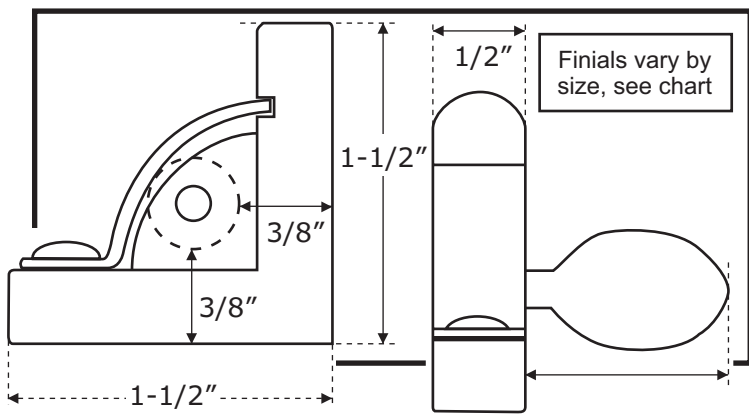


Decorative Swing-open Hinge Carpet Rod Holders with protective RSF finish
 1/2 inch O.D. outer diameter tubing – 0.032 gauge
 Easily remove tubing to clean carpets!

- The **easy-open swivel hinge** is designed to allow the easy removal of the tubing for periodic carpet cleaning
- These brackets accommodate regular pile carpets measuring up to 1/2 inch
- Finial styles vary in length and screw into each bracket
- The rod sits inside the bracket and can easily be cut to measure with a hack saw
- To clean, lightly wipe with a soft dry cloth. Do not use abrasives or harmful chemicals as this will compromise the RSF coating that helps resist tarnishing
- Periodically inspect all brackets & hardware, tighten as needed

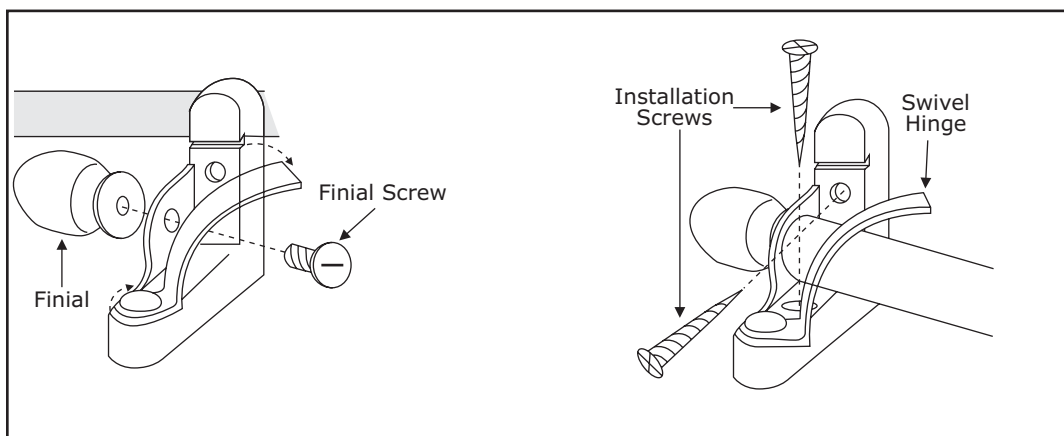
NOTE: Carpet rod holders should not be the sole means to secure runners or carpets on a staircase. These carpet rod holders are for decorative use only.



Specifications	
Finial	Length
Ball	3/4 inch
Tower	1-1/16 inch
Scepter	1-1/2 inch
Pineapple	1-1/2 inch
Tubing Gauge	0.032
Tubing	1/2 inch
Outer diameter	O.D.

HOW TO INSTALL - Steps 1 to 4

1. Determine the left and right brackets. Then attach the finial using screws provided.
2. Before drilling a pilot hole, determine the position of both left & right bracket on the stairs while ensuring equal distance on each side from the runner. Open the swivel hinge to insert the tubing & determine if cutting is required. Mark the desired location where brackets need to be secured. Cut tubing to desired length if needed.
3. Drilling a pilot hole is recommended first before attaching the screws or other anchoring device into the brackets. Once the brackets are secured, insert the tubing into the brackets. Close the swivel hinge.
4. Install the remaining carpet rods sets as above.



These instructions & drawings disclose confidential & other data of proprietary nature owned by Renovator's Supply Inc. & may not be used or disclosed to others without the prior written consent of Renovator's Supply, Inc.

Renovator's Supply, Inc. ©

How do I care for my carpet rod holders?

Renovator Supply carpet rod holders have a protective RSF baked-on coating to resist tarnishing. Lightly use a dry soft cloth when cleaning. Brass cleaners, cleansers & abrasives can remove the protective coating causing the brass to eventually tarnish. When cleaning your carpet, runner or surrounding areas with chemicals or liquid including carpet steamers remove the carpet rod holders & replace when area is dry.

Are carpet rod holders strong enough to secure my carpet runners?

Renovator Supply carpet rod holders are designed for decorative use only and should not be used as the sole means of carpet installation. To secure carpet runners safely use other means such as: an adhesive pad, staples, tacks, nails, tack strip, tack-less strip.

What length of tubing is needed?

Renovator Supply recommends that your stair rod tubing be at least a total of 1 1/2 inches longer than the runner width. For example, if your runner is 27 inches wide, we recommend ordering stair rods at least 28 1/2 inches long. This allows 1/4 inch space between the runner and bracket.

Can carpet rod holders fit over existing carpet?

Installing stair rods over existing carpet requires longer screws to pass through the carpet and pad before it is anchored into the wood layer of the step. Longer screws, typically 1 1/2" or longer, can be purchased at a local hardware store.

Additional items of interest. **Most online web orders over \$125 ship FREE @**

www.rensup.com

Door Knockers

Knock, knock! Once a sign of their homeowner's profession, doorknockers now come in a variety of designs & finishes for everyone's style.

- Step-up your curb appeal & add value to your home with finishing touches like a knocker
- Made of 100% solid brass, polished & lacquered brass prevents tarnishing
- Cast iron with powder coated finish protects from the elements
- Select from a variety of finishes
- Knockers are both beautiful & functional
- Easy installation, thread bolts through the door for secure mounting
- Mounting hardware included



98423



17174



17153



20012



18362



20140



15432

Door Kickplates

- Weatherproof & Rustproof stainless steel
- Maintenance-FREE LIFETIME PVD finish
- Sturdy 18 gauge or .040 thick
- Compatible with Wood or Steel doors
- Ideal for commercial & residential use
- PVD stainless steel screws included
- Select from a variety of sizes
- Hassle-FREE installation even you can do it!

