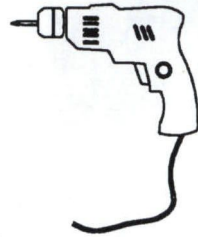


II Tools for assemble

Electric drill



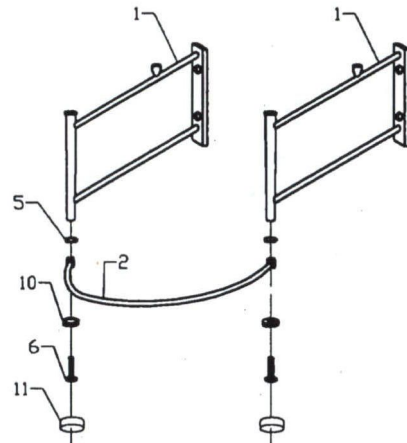
Slot-type screwdriver



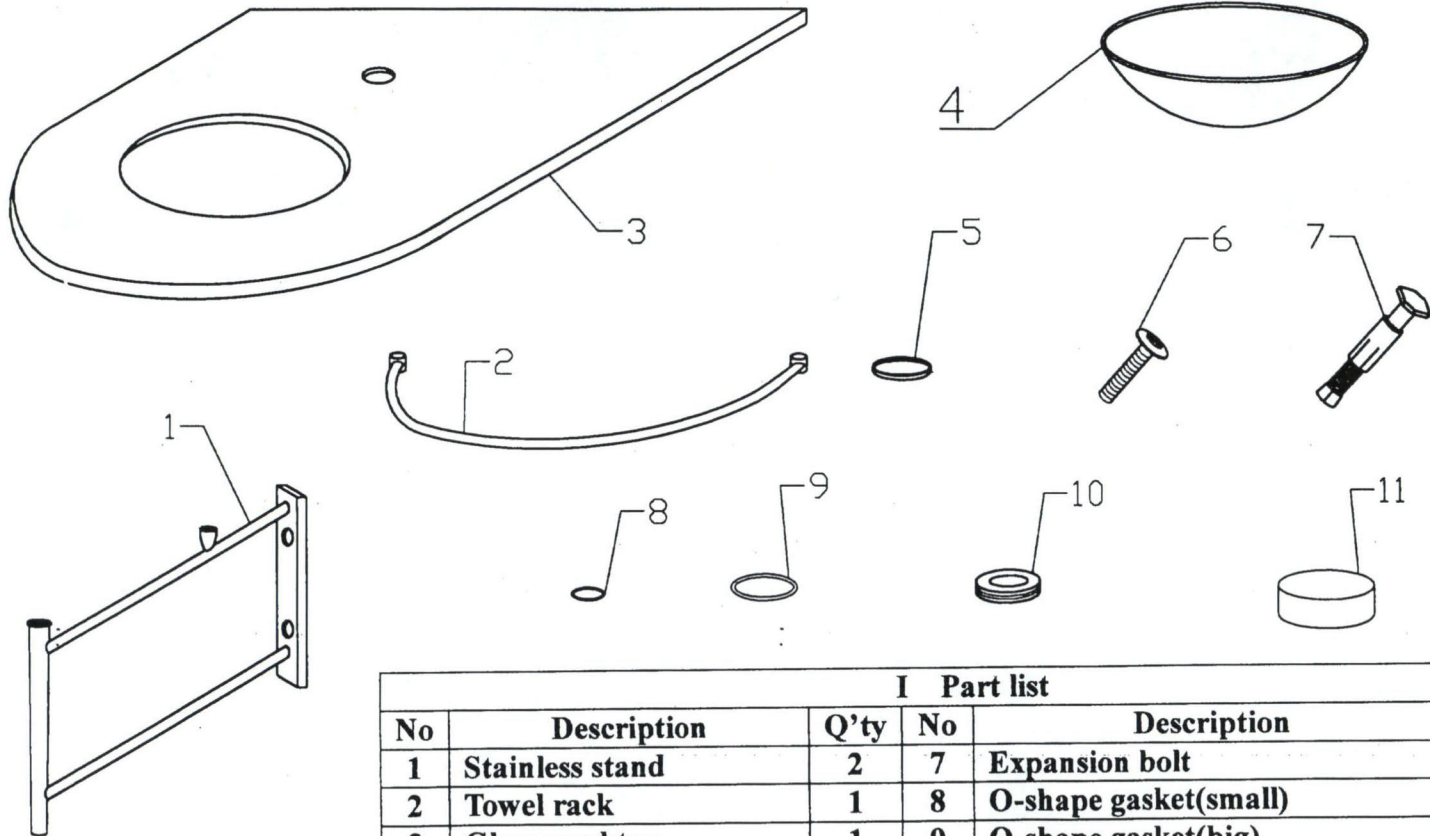
Cross screwdriver



III Assemble guide

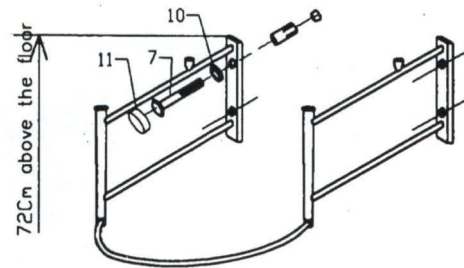


Step1: As indicated in figure, put towel rack fixer(5), towel rack(2),decoration cap connector gasket(10), cross semi-round screw(6), decoration cap(11) in turn and fix them together tightly[note: female cylinder of the fixer(5) should be down side]

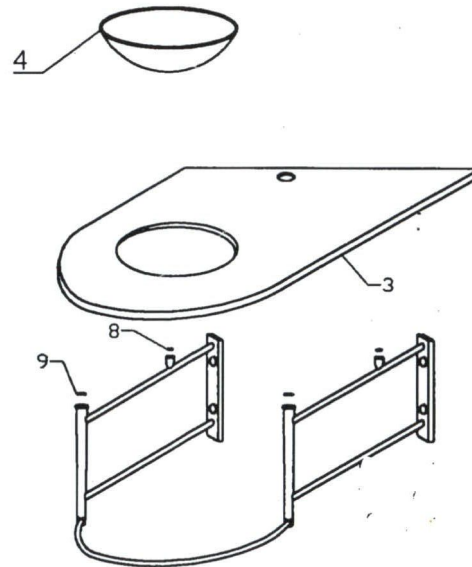


I Part list

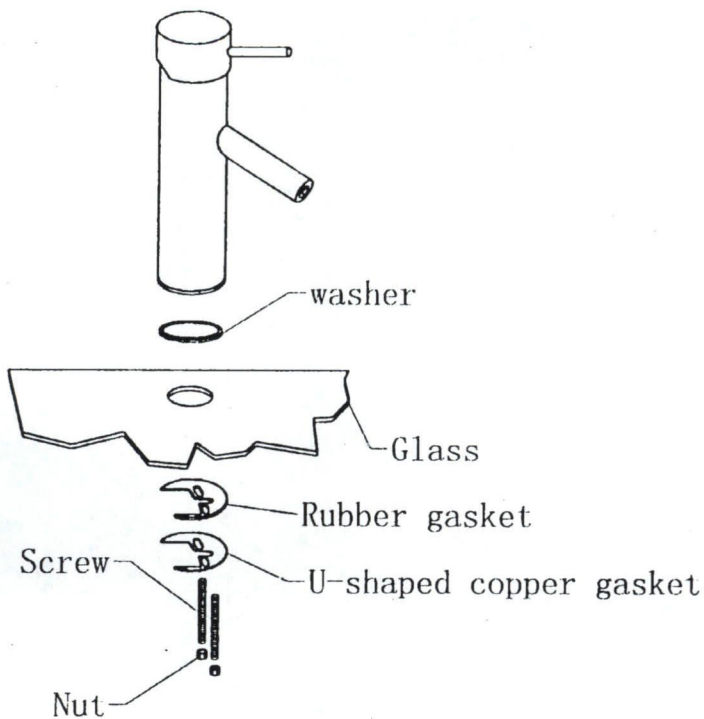
No	Description	Q'ty	No	Description	Q'ty
1	Stainless stand	2	7	Expansion bolt	4
2	Towel rack	1	8	O-shape gasket(small)	2
3	Glass worktop	1	9	O-shape gasket(big)	2
4	Glass basin	1	10	Decoration cap connector gasket	6
5	Towel rack fixer	2	11	Decoration cap	6
6	Cross semi-round screw	2			



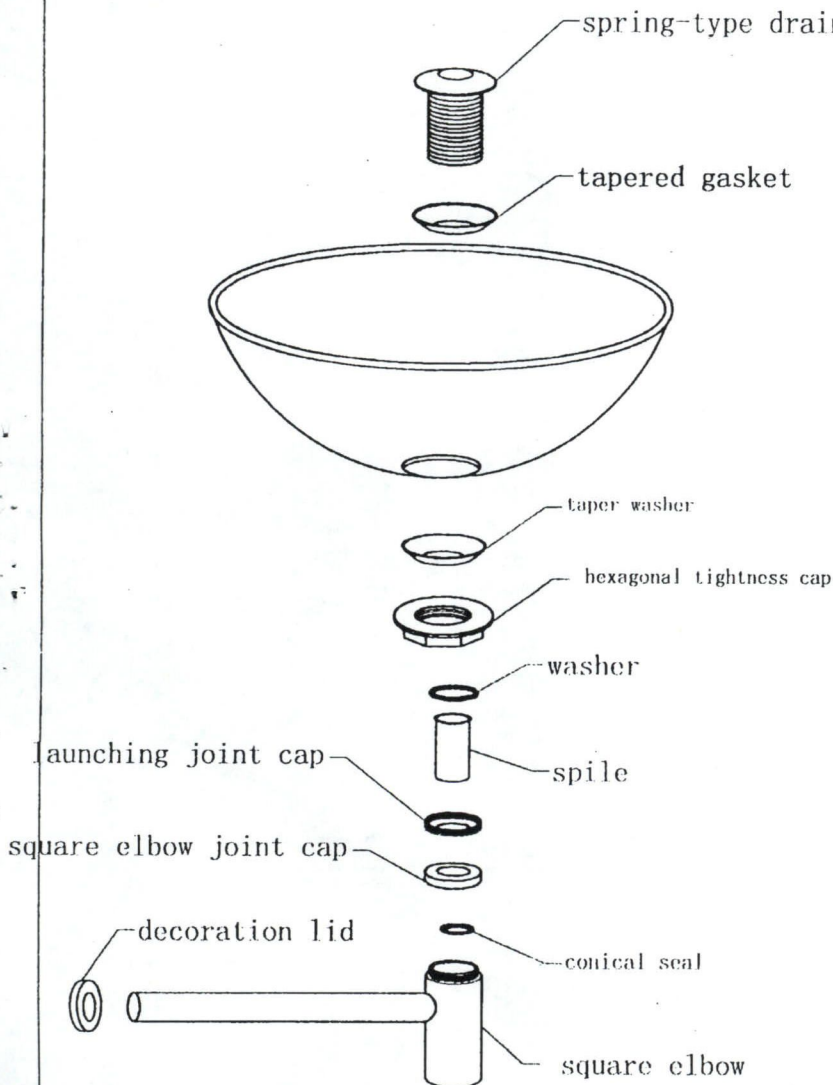
Step2: Make the stainless stand (1) close to wall at height of 72CM from floor, marked on the wall by a pencil at the same position of the four holes inside the stand(1), use electric drill to make four holes ($\Phi 12\text{mm}$) on the wall and strongly knock the expansion bolt(7) into the holes in the wall, put decoration cap connector gasket on the bolt before fix the holder(1) close to wall tightly, then twist the decoration cap(11) on.



Step3: After all frames assembled, put O-shape gaskets(8&9, small & big) on the round slots of the stand(1) respectively.



How to install tap: First put the washer on the slot at the bottom of tap. Then lead in a screw and insert into the hole on the glass table-board. Mount the rubber gasket, U-shaped gasket under the table-board. Finally secure them with a nut.



How to install drainer: Fit the tapered gasket (1 pc) to spring-type draining unit. Insert the assembly to the holes on glass basin and tighten it with hexagon nut. Insert the square elbow tube into the sewer in the wall and mount the decoration lid. Insert the bushing into a draining nut and connect to the spring-type draining unit. Finally connect to the square elbow tube with a connecting cap.