



RENOVATORS SUPPLY MANUFACTURING

Antique Reproduction & Modern Hardware Sinks and Toilets

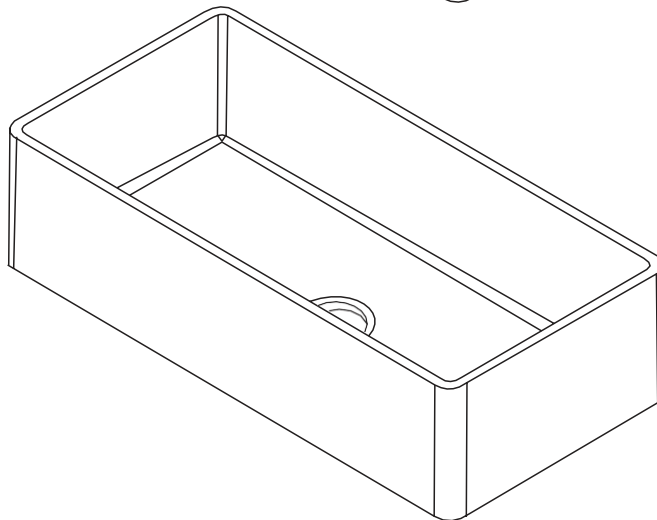
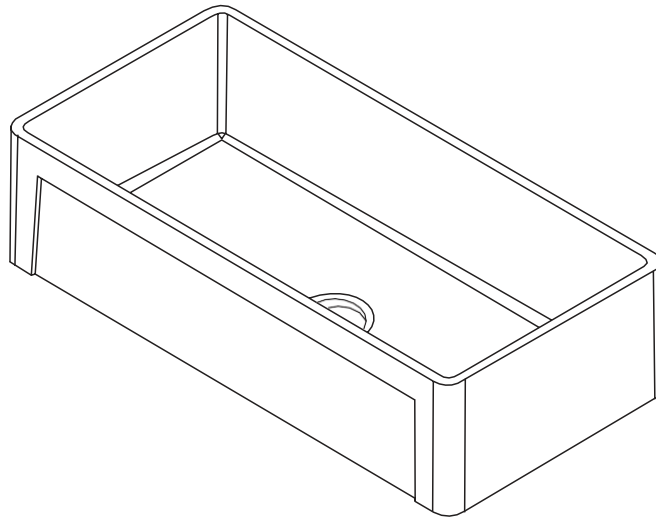
By The Renovators Supply, Inc. - The Most Trusted Source Since 1978

Customer Service: 1-800-659-2211 or International:1-413-423-3300

E-Mail ID: cs@rensup.com

Installation and Care Guide

Apron Kitchen Sink





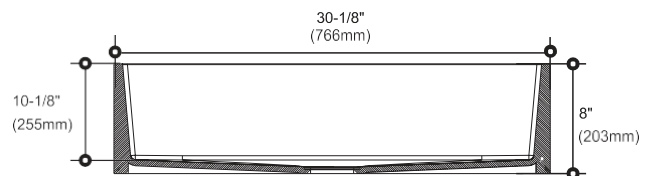
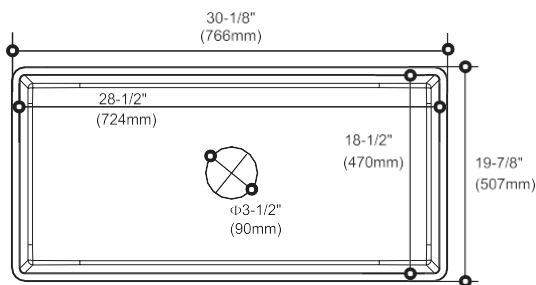
Specification Sheet



Farmhouse Kitchen Sink

Features:

- 30"-1/8"x19-7/8"x10-1/8"
- Fireclay
- Glazed white Gloss
- Reversible Smooth/Decor Front Apron
- Standard 3-1/2" Drain Opening
- Undermount/Top Mount/Above Counter Apron Front Installation



Notes:

Dimensions can differ up to 5mm, due to the nature of the material.

Measure your actual product for precise application.

We advise you wait until your sink arrives to measure and make the cabinet and countertop.

Data and specifications given are not binding. We reserve the right to make changes deemed appropriate without prior notice or obligation to update.



RENOVATORS SUPPLY MANUFACTURING

Antique Reproduction & Modern Hardware Sinks and Toilets
By The Renovators Supply, Inc. - The Most Trusted Source Since 1978

Installation Guide

General Information

Read installation and care instructions thoroughly before installation.
Inspect your sink for any noticeable damage before installation.
Check all local applicable plumbing and building codes.

You could select the smooth or decor front apron to your kitchen design.

The apron sink is individually hand-crafted and we suggest using experienced and professional installers only. For custom cutting of countertop and installation of the actual sink, on-site installation is also recommended. Acceptable variances are approximately 1/2 of an inch. Alignment to cut-out and precise application and trimming of any adhesive sealant are critical to a superior fit and finished look. Please take extra care in this regard.

The apron sink requires custom order cabinets. Consult your cabinet dealer.

We do not accept any liability for damage to countertop, sink fixture, faucets or personal injury during installation. Warranty is void if installation instructions are not followed.

Tools and Materials

Tape Measure	Denatured Alcohol	Wood Braces
Pencil (NOT ink)	Ear Protection	Framing Square
Silicone Adhesive Sealant	Eye Protection	Shims
Rags	Hacksaw/Jigsaw	

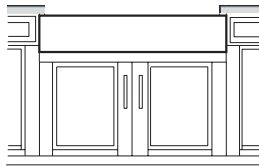
Be sure to use proper tools and always wear personal safety accessories for your protection.



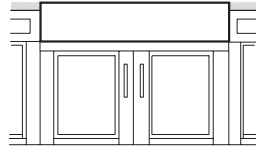
RENOVATORS SUPPLY MANUFACTURING
Antique Reproduction & Modern Hardware Sinks and Toilets
By The Renovators Supply, Inc. - The Most Trusted Source Since 1978

Installation Options

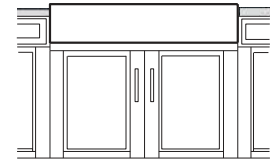
The apron sink offers installation options depending on your design.



Undermount



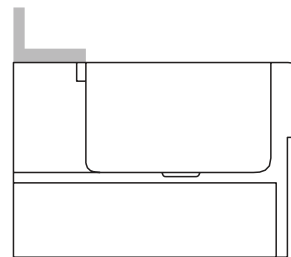
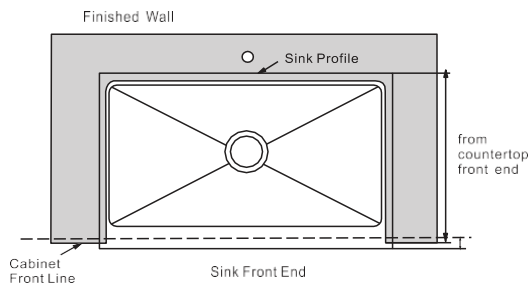
Top Mount



Above Counter

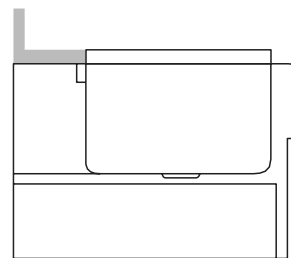
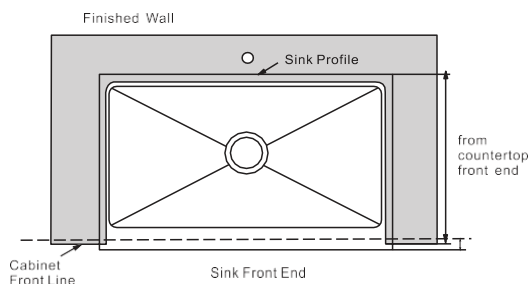
Caution: All installation types need to allow room for faucet installation. Ensure adequate clearance behind the sink for any faucet and backsplash, as well as full range of motion for faucet spouts and handles.

Typical undermount installation with 1/4" reveal recommended.



Typical top mount and above counter installation

Above counter installation may expose sink sides to be raised above the countertop.



Contact your retailer if any product is damaged or missing prior to installation.
Never install a damaged sink as it can void your warranty.



Installation Steps

1. Prepare the sink base cabinet

The apron sink requires custom order sink base cabinets with a front cutout to accommodate a 10" deep sink. Build structural supports on the inside frame of the sink base cabinet. The structural supports must support the weight of the sink and any attachments such as garbage disposals. When the sink is placed onto the cabinet support, make sure the top of the sink is evenly flush against the bottom of the countertop. Allow clearance for water supply line and drains or garbage disposal, as necessary.

2. Make template and cutout

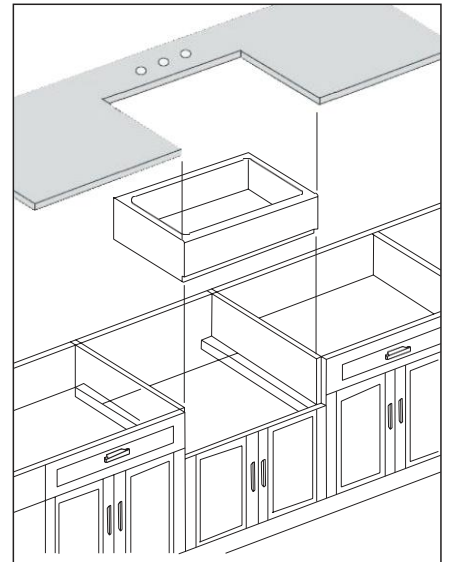
Depending on the installation option, make proper cutout of the countertop. We recommend a 1/4" reveal on 3 sides when installed undermount style. For a top mount or above counter installation, cut countertop along with outside of sink profile. Front end of the apron sink is designed to be installed 3/4" extended out beyond the front end of the countertop. Cut countertop accordingly. No template is provided due to the custom nature of each application and installation. The actual sink is used as the template guide for each installation. After centering the sink and allowing for faucets and backsplashes, use a pencil to outline the sinks as your guide for the cutout, allowing for any reveal before the actual cutting.

3. Set the sink

Set the sink on top of the cabinet or into the cabinet front cutout. Apply sealant if necessary as a gasket between the sink and cabinet.

4. Install the countertop

Carefully clean bottom of countertop and top flange of sink with denatured alcohol. Apply bead of silicone adhesive (not supplied) around the top edge of the sink. Place countertop onto the sink. Remove excess sealant from the lip of any surfaces with a cleaner recommended by manufacture of adhesive sealant.





RENOVATORS SUPPLY MANUFACTURING

Antique Reproduction & Modern Hardware Sinks and Toilets

By The Renovators Supply, Inc. - The Most Trusted Source Since 1978

Care Guide

ALWAYS



- Clean everyday by thoroughly rinsing with a mild soap and warm water and wipe dry.
- Rub lightly with a soft cloth in the direction of grain lines on a regular basis for additional preventative cleaning.
- Keep the sink free of any standing water as this can cause a buildup of mineral deposit, which can affect the appearance of your sink.
- Always rinse the sink after using any cleaning agent and wipe dry. Clean any mineral deposits built up over time with a mild solution of vinegar and water followed by a thorough flushing with water.

NEVER



- Use a steel wool or scoring pad as it damages the sink surface and causes discoloration.
- Let household cleaning agents or bleach sit in your sink for long period of time as this may ruin the finish of your sink.
- Leave rubber mats, sponges, or cleaning pads in the sink for long period of time as this may ruin the finish of your sink.
- Use any drain cleaning products containing sulfuric acid or hydrochloric acid as this will attack the sink. Silver cleaners can also contain acids that will damage the sink surface.
- Use the inside of the sink as cutting surface.