

Wentworth Barrister

www.rensup.com

ASSEMBLY

Place the cabinet assembly, upside down on a clean, flat surface.

Measure 1 1/2" in from the edges and ends of the bottom and make light pencil lines near all four comers. Position each bun foot with the larger hole facing upward. Center one bun foot on the intersecting pencil lines near each comer. Fasten in place with one 2" round-head screws through each bun foot into the bottom.

Turn the assembly upright.

Remove the round-head screws attaching the back and the back itself.

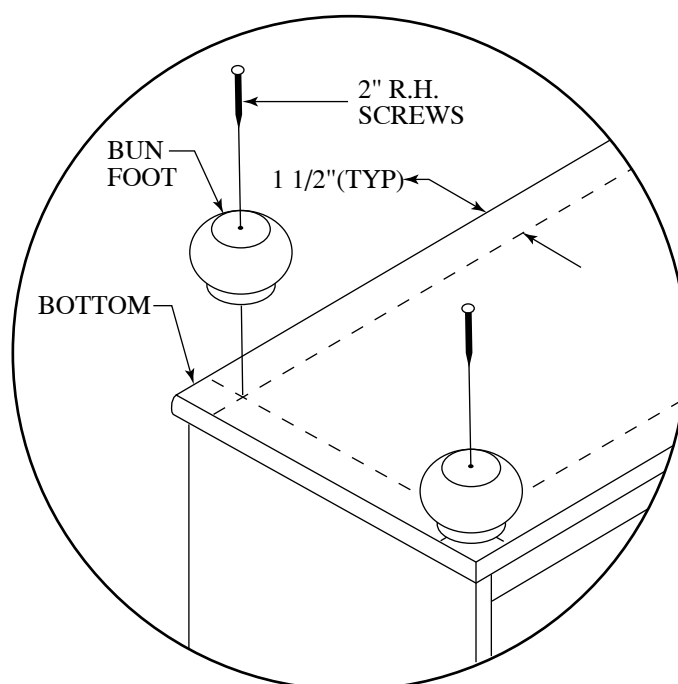
Position the molded side of the door facing upward and the dowels in the ends facing toward the rear. Carefully slide the dowels attached to the door into the grooves in the sides of the cabinet assembly. Grasp the front edge of the door and lower it into the upright position. Re-attach the back.

For customers purchasing more than one barrister and choosing to stack them, place one on top of the other, keeping all edges and ends flush.

Position one stak-em-plate at each rear end of the barristers over the gap between the upper and lower backs so that the outside edges of the stak-em-plates are flush with the ends of the backs. Fasten each in place with two 5/8" flat-head screws through the upper and lower holes.

Do not stack more than five units high.

We hope you are pleased with your new Wentworth Barrister.



These instructions and drawings disclose confidential and other data of proprietary nature owned by Renovator's Supply Inc. and may not be used or disclosed to others without the prior written consent of Renovator's Supply Inc.

Renovators Supply, Inc