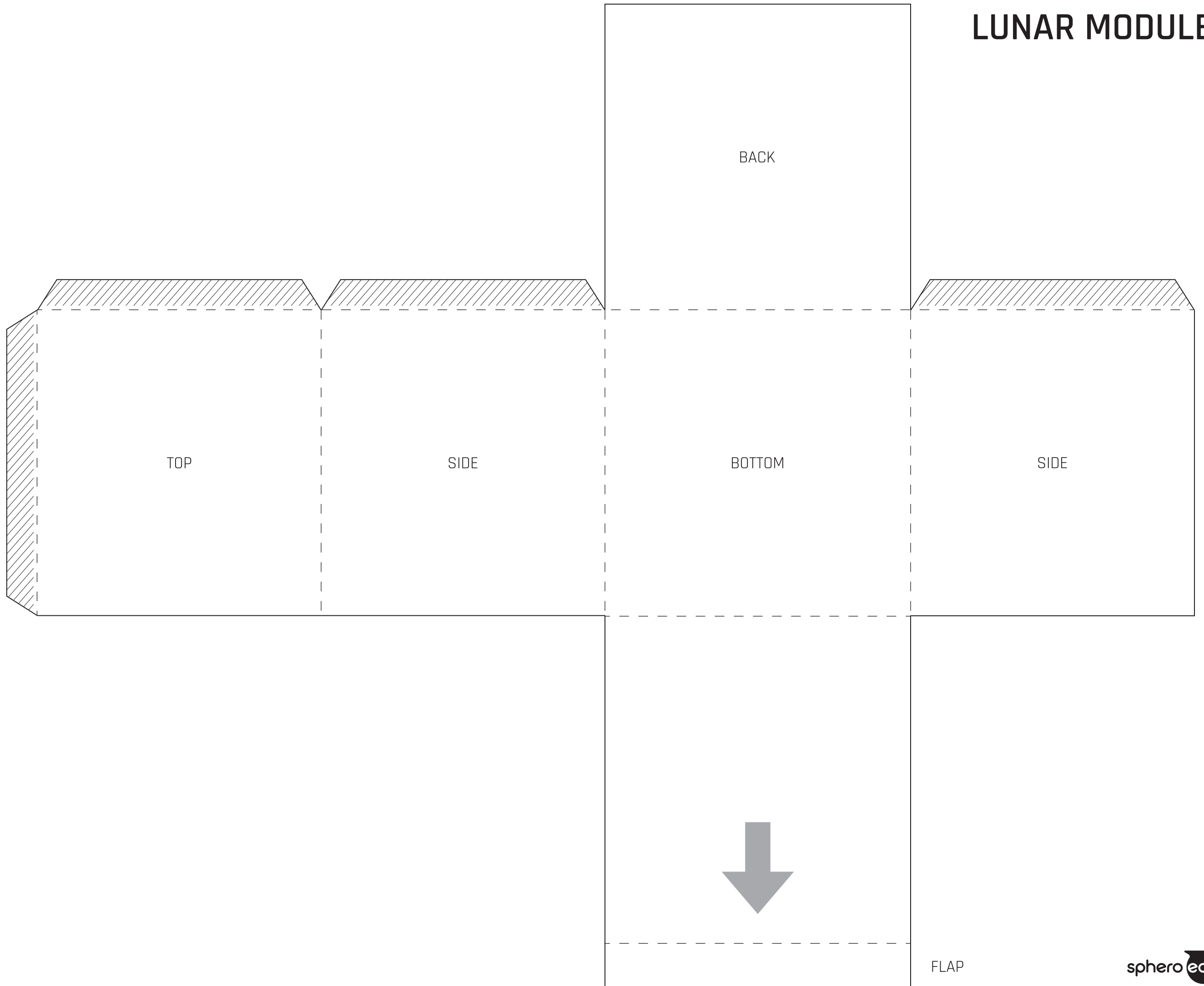
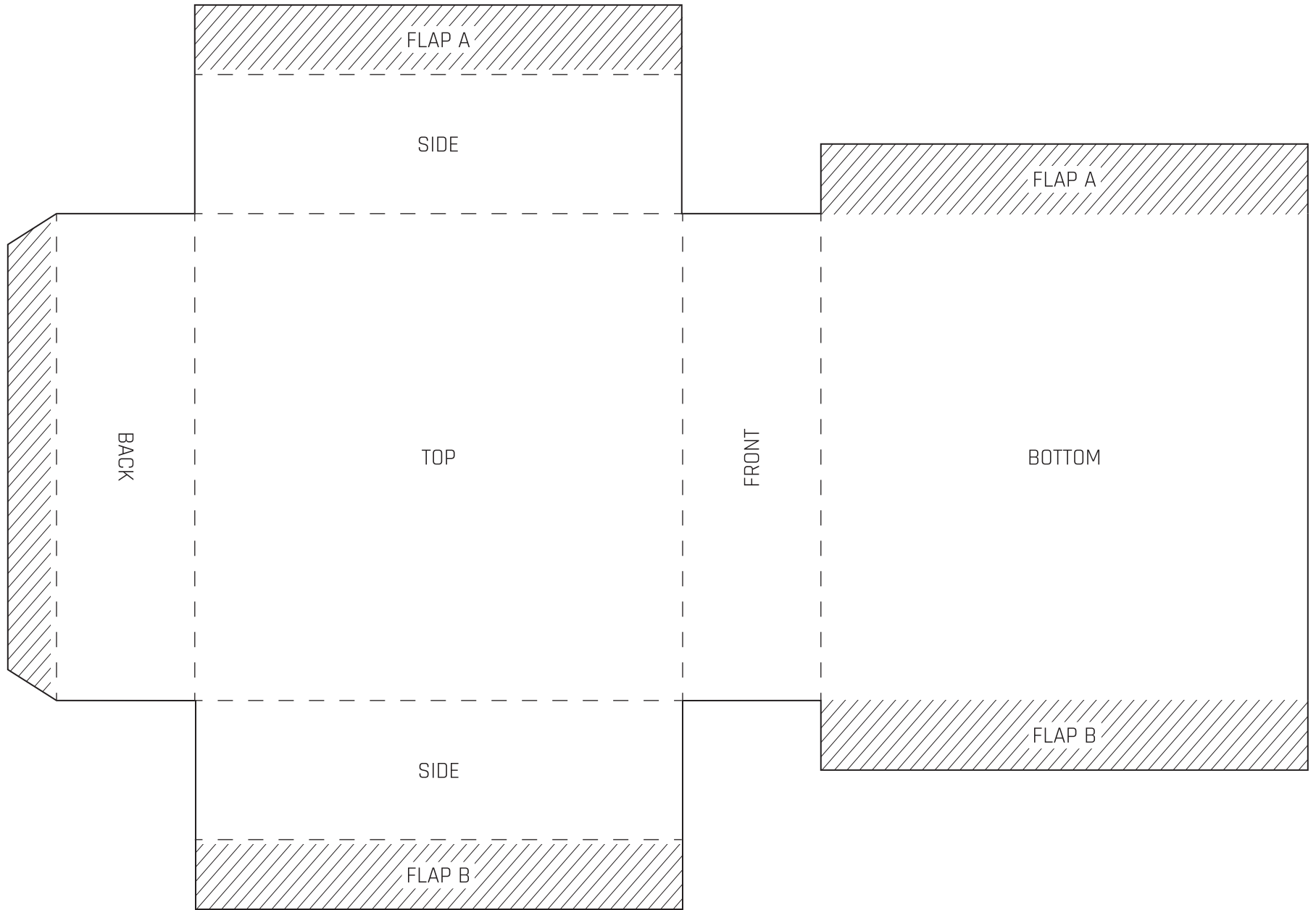


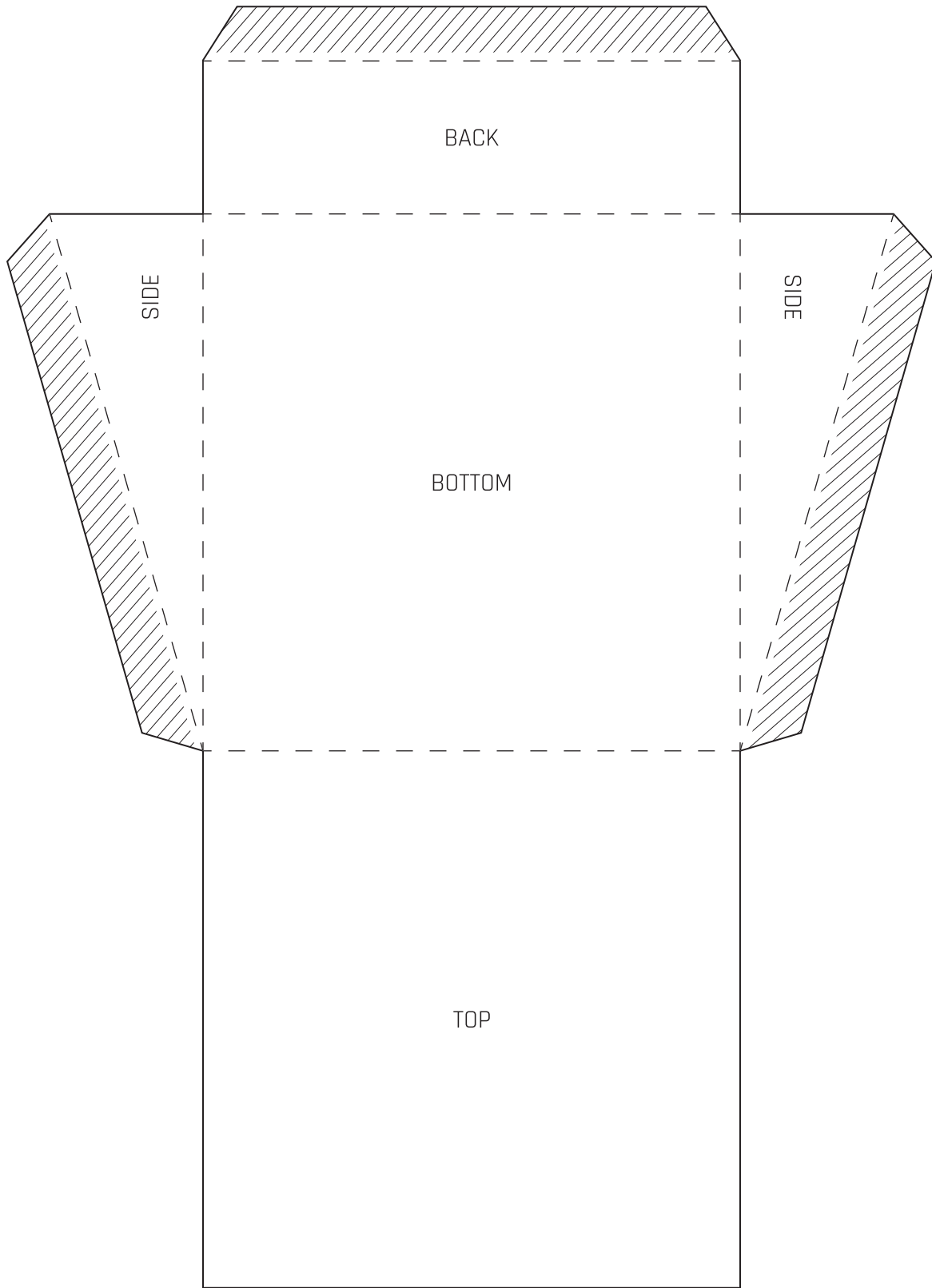
LUNAR MODULE



BASE



RAMP



LUNAR MODULE TEMPLATE INSTRUCTIONS

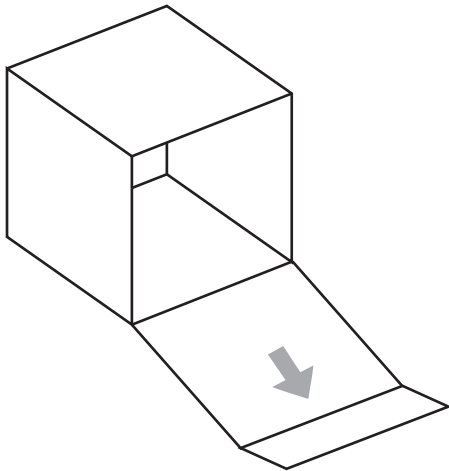
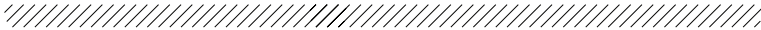
CUT LINE



FOLD LINE



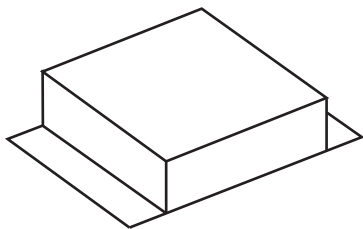
ADHESIVE AREA



LUNAR MODULE

Connect sides with adhesive tabs

Do not connect or tape the side with the arrow

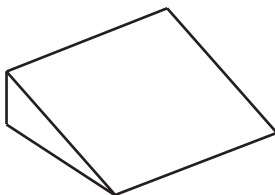


BASE

Fold **Flap A** and **Flap B** on each side outward
Flaps will stick out from the bottom of the base

Connect the sides to the bottom and line up the flaps

Attach **Flap A** to **Flap A** and **Flap B** to **Flap B**



RAMP

Connect the back to each side and tape the edges together

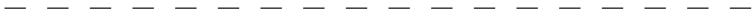
Attach the top to the adhesive tabs

LUNAR MODULE TEMPLATE INSTRUCTIONS

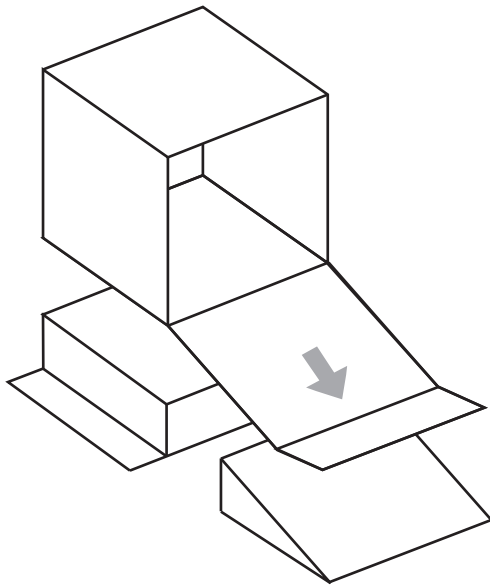
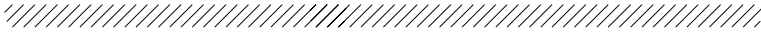
CUT LINE



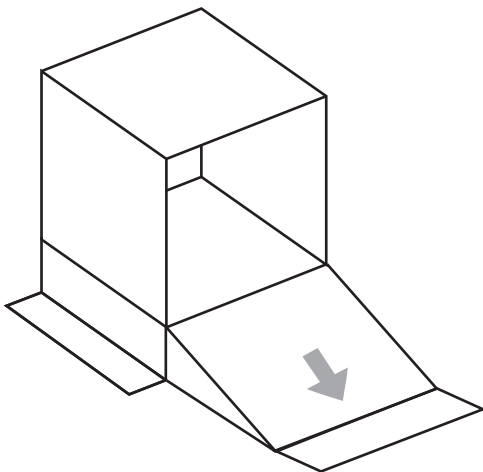
FOLD LINE



ADHESIVE AREA



Connect lunar module, base, and ramp together



Tape down flaps on the base and ramp to the map