

DECKFAST® METAL

Technical Information

STARBORN®
 IDEA DRIVEN PRODUCTS
 Tel: 800-596-7747
 Web: starbornindustries.com

Applications:

For attaching PVC, composite, capstock and hardwood decking to steel or aluminum joists without pre-drilling. The 10 x 1-5/8" version of Deckfast Metal is designed for decking materials with an actual thickness of 3/4" to 1" attached to steel or aluminum up to 12 gauge or two 14 gauge joists doubled up. The 12 x 2-3/8" version of Deckfast Metal is designed for decking materials with an actual thickness above 1" and up to 1-1/2" attached to steel or aluminum up to 1/4" thick.

Product Specifications and Features

MATERIAL: 410 stainless steel

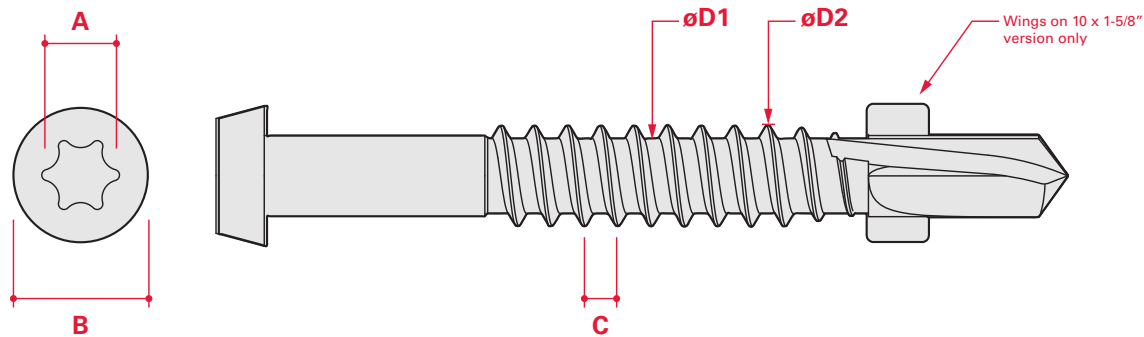
FINISH: Epoxy polymer resin over zinc plate

HEAD: Composite

THREAD: Fine

POINT: 10 x 1-5/8" version: Drill point with wings | 12 x 2-3/8" version: Drill point

Made in Taiwan



ITEM NO.	SIZE	HEAD STYLE	RECESS TYPE	DRILL POINT	RECESS SIZE		HEAD DIA. (mm)	THREAD PITCH	THREADS PER INCH	MINOR DIA. (mm)	MAJOR DIA. (mm)
					A	B					
RMTR10162	10 x 1-5/8"	Composite	Star Drive	#3	T-20	6.4 - 7.0	1.3	19	3.10 - 3.30	4.65 - 4.80	
RMTR12238	12 x 2-3/8"	Composite	Star Drive	#4	T-20	7.2 - 7.8	1.8	14	3.90 - 4.15	5.31 - 5.50	

FASTENER STRENGTH for 10 x 1-5/8" version	
Tensile (Average ultimate load)	2,480 lbf
Shear (Average ultimate load)	1,928 lbf
PULLOUT VALUES for 10 x 1-5/8" version	
Steel gauge	18g
Average ultimate load	457 lbf
Aluminum type	6063-T52
Aluminum thickness	0.125"
Average ultimate load	805 lbf

Note: Performance data have been obtained through independent laboratory testing, and are to be used as a guide only; these values are not guaranteed. Consult a qualified professional to determine appropriate design safety factors.

Installation note: Apply a moderate amount of force during installation to ensure that wings shear off upon contact with metal.