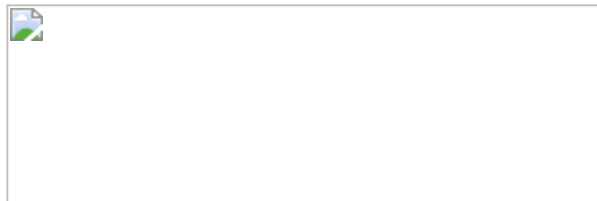


2017 19SPX

PARTS MANUAL



Sea Ray® Parts Manual, Sea Ray® Boats, 2600 Sea Ray Blvd., Knoxville, TN, 37914.

For additional information visit: www.searay.com

Note: Not all accessories shown in pictures or described herein are standard equipment or even available as options.

Options and features are subject to change without notice. Not all model year boats may contain all the features

or

meet the specifications described herein. Confirm the availability of all accessories and equipment with an authorized Sea Ray® Dealer prior to purchase.

2017 19SPX

TABLE OF CONTENTS

STANDARD & OPTIONAL LAYOUTS

[ADHESIVE,CAULK,SEALANT](#)

[BILGE](#)

[CANVAS \(BLACK\)](#)

[CANVAS \(BLUE\)](#)

[CANVAS \(TOAST\)](#)

[COCKPIT](#)

[COCKPIT \(CONTINUED\)](#)

[COCKPIT \(SNAP-IN CARPET LINER OPTIONAL\)](#)

[COCKPIT UPHOLSTERY \(ALL SPORT PKG\)](#)

[COCKPIT UPHOLSTERY \(SELECT PKG\)](#)

[COCKPIT UPHOLSTERY \(STANDARD\)](#)

[DRAINAGE SYSTEM \(BILGE PUMP\)](#)

[DRAINAGE SYSTEM \(COCKPIT\)](#)

[EXTERIOR \(DECK\)](#)

[EXTERIOR \(GRAPHICS\)](#)

[EXTERIOR \(HULL\)](#)

[EXTERIOR \(WATER SPORTS TOWER\)](#)

[EXTERIOR \(WINDSHIELD\)](#)

[FUEL SYSTEM](#)

[GELCOATS](#)

[INSTRUMENT PANEL](#)

[LABELS & DECALS](#)

[LIVEWELL, AFT](#)

[OWNERS MANUALS \(MULTI-INFO PACKET\)](#)

[STEERING SYSTEM](#)

[SWITCH PANEL \(PORT\)](#)

[SWITCH PANEL \(STARBOARD\)](#)

OPTIONS-PARTLIST

[3.0L TKS A1 & 2.40:1 OUTDRIVE](#)

[3.0L TKS A1 \(135 PHP\) CANADA & INTL ONLY](#)

[3100 LB SINGLE AXLE / SINGLE DISC \(GALV\)](#)

[3400 LB SINGLE AXLE / SINGLE DISC \(GALV\)](#)

[3400 LB SINGLE AXLE / SINGLE DISC \(PAINT\)](#)

[4.3L MPI A1 \(180HP\) CANADA & INT'L ONLY](#)

[4.3L MPI A1 \(180HP\) USA ONLY N/A IN CALF](#)

[4.3L MPI A1 \(180PHP\) & 1.81:1 OUTDRIVE](#)

[4.3L MPI A1 \(20 58\) & ELEVATION PACKAGE](#)

[4.3L MPI A1 \(220PHP\) & 1.81:1 OUTDRIVE](#)

[4.3L MPI A1 \(220PHP\) & 1.81:1 OUTDRIVE](#)

[4.3L MPI A1 \(220PHP\) CANADA & INT'L ONLY](#)

[4.3L TKS A1 \(190PHP\) & 1.81:1 OUTDRIVE](#)

[4.3L TKS A1 \(20 46\) & ELEVATION PACKAGE](#)

[4.3L TKS A1 \(20 547\) & ELEVATION PACKAGE](#)

[4.5L MPI A1 \(200 PHP\) CANADA & INT'L ONLY](#)

[5000 LB DUAL AXLE / DUAL DISC \(GALV\)](#)

[5000 LB DUAL AXLE / DUAL DISC \(PAINT\)](#)

[5000 LB DUAL AXLE / SINGLE DISC \(GALV\)](#)

[5000 LB DUAL AXLE / SINGLE DISC \(PAINT\)](#)

[5000 LB PREM. DUAL AXLE/SINGLE DISC \(PAINT\)](#)

[5000 LB PREM.TRLR W/ 2ND AXLE DISC BRKS
PNT](#)

[ALL SPORT & MOORING COVER](#)

[ALL SPORT & STD UPH. WHT/COGNAC](#)

[ALL SPORT PKG. & PREMIER AUDIO UPGRADE](#)

[ALL SPORT, MOORING COVER & ELEVATION
PKG](#)

[ALLSPORT PACKAGE](#)

[ALLSPORT PACKAGE & SELECT PACKAGE -
COGNAC](#)

[ALLSPORT PACKAGE & SELECT PACKAGE -
SAHARA](#)

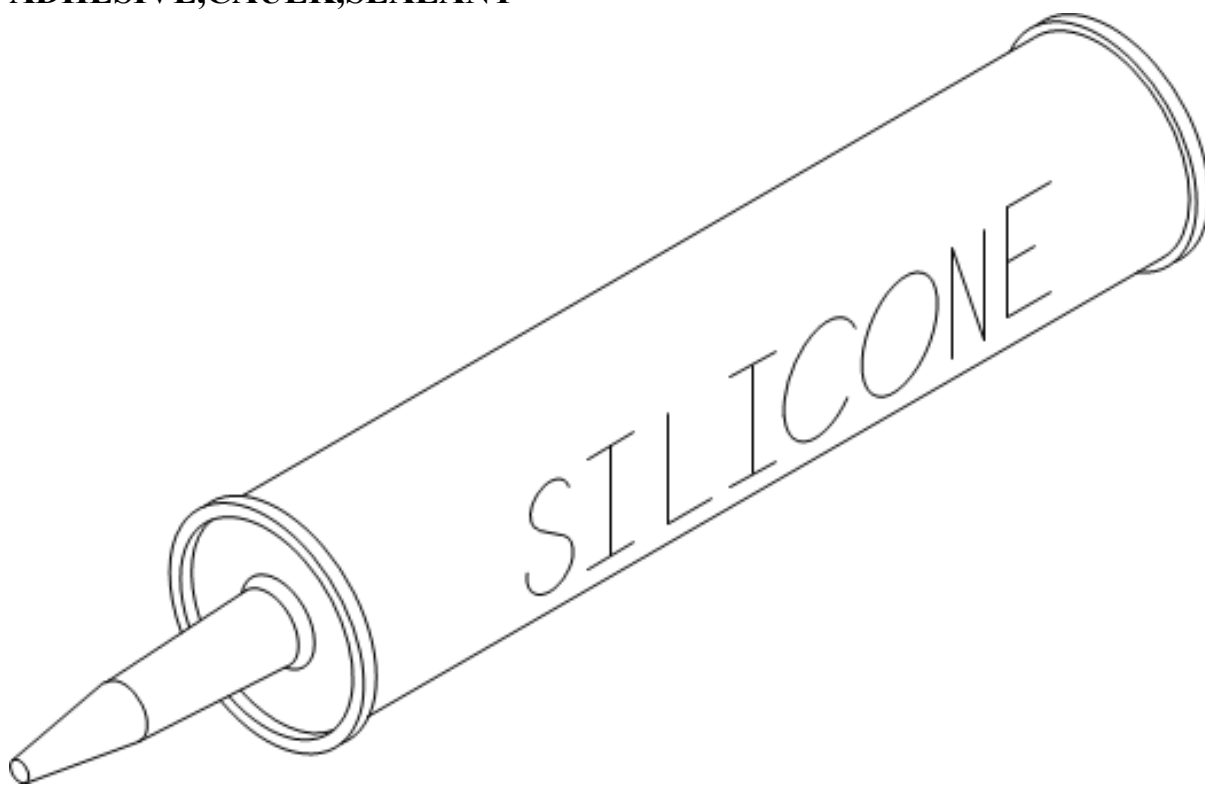
[ALLSPORT PKG & C E OPTION GROUP](#)

[ALLSPORT PKG & STAINLESS STEEL UPGRADE
OPTI](#)

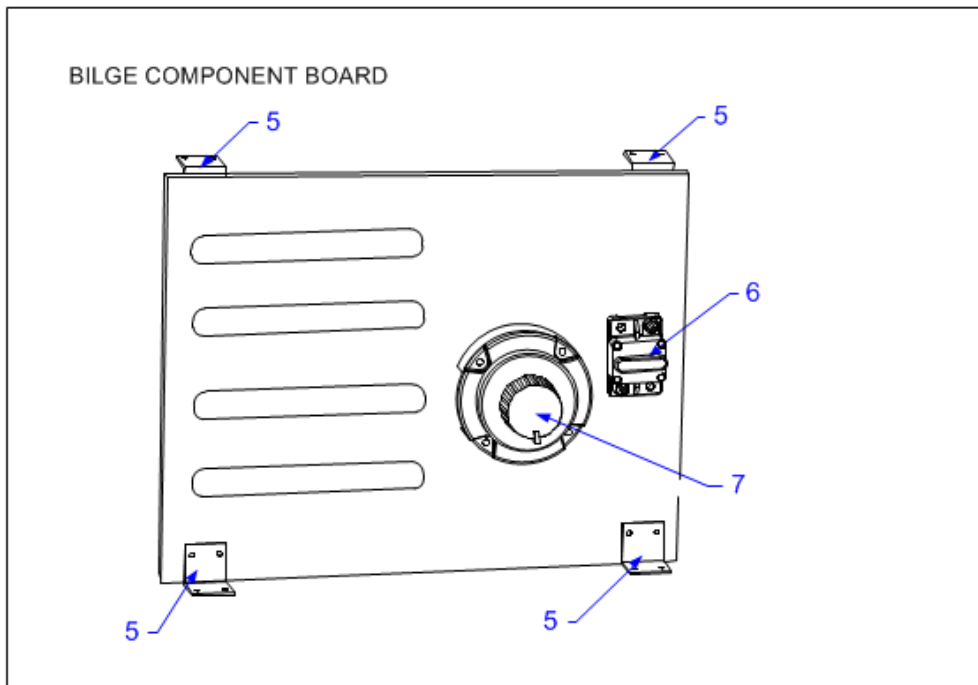
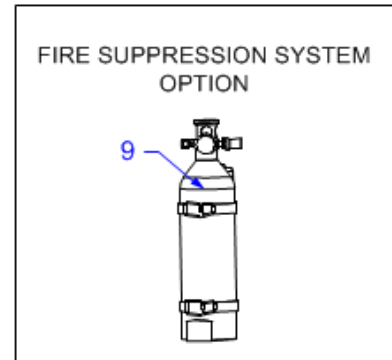
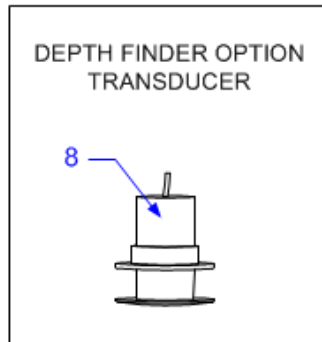
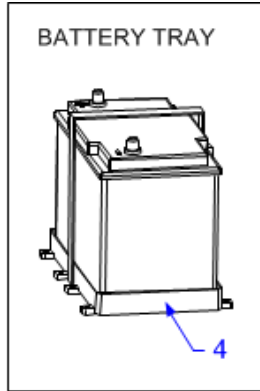
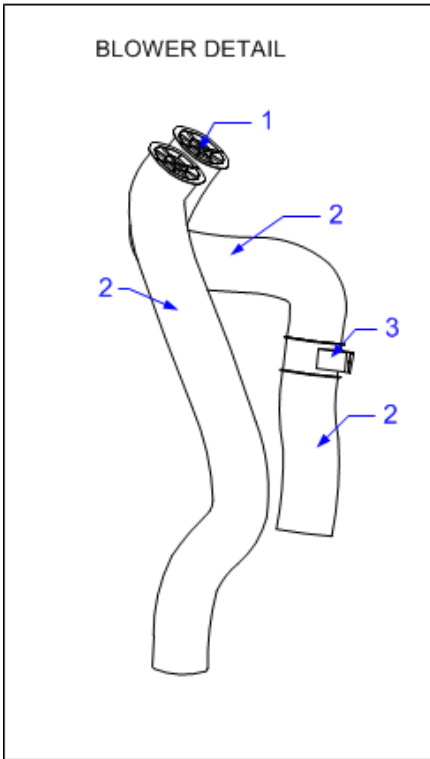
[AUSTRALIA / NEW ZEALAND OPTION](#)

[BATTERY ON / OFF SWITCH](#)
[BIMINI TOP & BOOT](#)
[BIMINI TOP & BOOT W/COCKPIT COVER W/
TONNEAU](#)
[BLACK BOTTOM & BLACK HULL SIDES](#)
[BLACK HULL SIDES WITH WHITE BOTTOM](#)
[BLANK 3.0L A1 STERN DRIVE](#)
[BLANK 4.3L A1 STERN DRIVE](#)
[BLANK 4.3L MPI A1 STERN DRIVE](#)
[BLANK 4.5L MPI A1 STERN DRIVE](#)
[C E FIRE SYSTEM](#)
[C E OPTION GROUP](#)
[CANADIAN CONFORMITY STICKER](#)
[CANVAS ENCLOSURE PACKAGE](#)
[CKPT FLOORING UPGRADE\(INF.WVN\)-
WHT/CHARCOAL](#)
[CKPT FLOORING UPGRADE\(INF.WVN\)-WHT/TAN](#)
[COCKPIT COVER W/ TONNEAU COVER](#)
[COCKPIT COVER W/TONNEAU & MARINE
MIDNIGHT B](#)
[COCKPIT FLOORING \(INFINITY WOVEN\)-
COGNAC](#)
[COCKPIT FLOORING \(INFINITY WOVEN\)-
SAHARA](#)
[COGNAC-SELECT PKG & ELEVATION
W/CHARTPLOTTE](#)
[COGNAC-SELECT PKG & PREMIER AUDIO
UPGRADE](#)
[COGNAC-SELECT PKG & SNAP IN CARPET](#)
[COGNAC-SELECT PKG & SWIM PLATFORM MAT](#)
[COLORED BOTTOM & COLORED HULL SIDES
MATCH](#)
[COLORED HULL SIDE & WHITE BOTTOM](#)
[DEPTH FINDER](#)
[ECT 3.0L MPI A1 & 2.40:1 OUTDRIVE](#)
[ECT 3.0L MPI A1 \(135 PHP\) STERN DRIVE](#)
[ECT 4.3L MPI A1 \(180 PHP\) STERN DRIVE](#)
[ECT 4.3L MPI A1 \(180PHP\) & 1.81:1 OUTDRIVE](#)
[ECT 4.3L MPI A1 \(220 PHP\) STERN DRIVE](#)
[ECT 4.3L MPI A1 \(220PHP\) & 1.81:1 OUTDRIVE](#)
[ECT 4.5L MPI A1 \(200 PHP\) STERN DRIVE](#)
[ELEVATION PACKAGE](#)
[ELEVATION PKG & COCKPIT COVER W/
TONNEAU](#)
[ELEVATION PKG & MOORING COVER](#)
[EXPORT PACKING - INTERNATIONAL](#)
[FATHOM BLUE BOTTOM & FATHOM BLUE HULL
SIDES](#)
[FATHOM BLUE HULL SIDES WITH WHITE
BOTTOM](#)
[FIRE SUPPRESSION SYSTEM \(FM200\)-](#)

[AUTOMATIC](#)
[FLOORING - SNAP IN CARPET](#)
[GREY SPORT GRAPHICS](#)
[INTERNATIONAL IN-SERVICE CHECKLIST](#)
[MOORING COVER - \(BLACK ONLY \)](#)
[NON DOMESTIC CAPACITY PLATE - NO EPA](#)
[OVERSEAS SHIPPING CRADLE](#)
[PERFECT PASS SPEED CONTROL](#)
[PREMIER AUDIO UPGRADE](#)
[RALLY RED BOTTOM & RALLY RED HULL SIDES](#)
[RALLY RED HULL SIDES WITH WHITE BOTTOM](#)
[RAYMARINE CHARTPLOTTER / FISHFINDER](#)
[RED SPORT GRAPHICS](#)
[S.R. BLUE BOTTOM & SEA RAY BLUE HULL SIDES](#)
[S.R. BLUE HULL SIDES WITH WHITE BOTTOM](#)
[SAHARA-SELECT PKG & ELEVATION PKG W/CHRTPLT](#)
[SAHARA-SELECT PKG & PREMIER AUDIO UPGRADE](#)
[SAHARA-SELECT PKG & SNAP IN CARPET](#)
[SAHARA-SELECT PKG & SWIM PLATFORM MAT](#)
[SELECT PACKAGE - COGNAC](#)
[SELECT PACKAGE - COGNAC & RAYMARINE CHARTPL](#)
[SELECT PACKAGE - SAHARA](#)
[SELECT PACKAGE - SAHARA & RAYMARINE CHARTPL](#)
[SKI MIRROR](#)
[SPORT GRAPHICS](#)
[STAINLESS STEEL COMPONENT UPGRADE](#)
[STANDARD UPHOLSTERY WHITE / CHARCOAL](#)
[STANDARD UPHOLSTERY WHITE / TAN](#)
[STD UPH. WHT/COGNAC & CAPTAIN'S PKG](#)
[STD UPHOLSTERY WHITE / TAN & SWIM PLATFORM](#)
[SWIM PLATFORM MAT - SEADEK](#)
[TAN BOTTOM & TAN HULL SIDES](#)
[TAN HULL SIDES WITH WHITE BOTTOM](#)
[TOWER RACKS](#)
[TRANSOM STEREO REMOTE](#)
[WATER SPORTS TOWER W/ BIMINI](#)
[WHITE HULL W/ BLACK BOTTOM CHOOSE GRAPHICS](#)
[WHITE HULL W/ BLACK BOTTOM NO GRAPHICS](#)
[WHITE HULL WITH BLACK BOTTOM](#)
[WTR SPRTS TWR W/BIM & CPC/TC OPTION](#)
[WTR SPRTS TWR W/BIM & MOORING COVER](#)

ADHESIVE,CAULK,SEALANT**ADHESIVE,CAULK,SEALANT**

156984	SEALANT, SILICONE WHT RTV 10.3OZ
156992	SEALANT, SILICONE BLK RTV 10.3OZ
209783	ADHESIVE, CONTACT SPRAY STUCK-UP (UPH)
211813	ADHESIVE, THREADLOCKER RECTOR SEAL
1252469	ADHESIVE, THERMOPLASTIC
1969129	ADHESIVE,RUBBER,WATER BASED,PART A
1969130	ADHESIVE, RUBBER WTR BASED PART B ACTIVATOR
2040576	ADHESIVE, SIKAFLEX 291(SAUSAGE)WHT 13.5
2062937	ADHESIVE, SIKAFLEX 515 WHT 13.5 OZ
822338	SEALANT, TEFLON TEF-GEL 1OZ SYRINGE
1705816	ADHESIVE, WHISPER SPRAY



BILGE

BILGE

1	716159	VENT, PLAS GRILL 4" BLK
2	124016	HOSE, VENT/BLOWER 4" EX HVY DTY
3	1771006	BLOWER, BILGE 4" #240PM W/CONN
4	1854724	BATTERY TRAY, LRG SGL SERIES 31
	130799	CABLE, BATT BLK #2AWG
	1042225	HEAT SHRINK, TUBING BLK 1/2"X 6"

	130781	CABLE, BATT RED #2AWG
	130856	BOOT, BATTERY CABLE 2GA BLK
	1042258	HEAT SHRINK, TUBING RED 1/2"X 6"
	130849	BOOT, BATTERY CABLE 2GA RED
	140509	BOOT, ENG STARTER RED
	2110871	CONN, BATT LUG 2GA NEG W/NUT/BOLT
	2110872	CONN, BATT LUG 2GA POS W/NUT/BOLT
5	836023	BRACKET, ALUM 1.5"X 1.5"X 1.15" 3/16"HOLES
6	1185081	BRKR, SURF MNT THERMAL 50AMP MANUAL RESET Used with ALLSPORT PACKAGE
7	1726841	SWITCH, BATT ON/OFF N/LCK N/DISC RV1
8	1915584	TRANSDUCER, T-HULL AIRMAR 235KHZ DEPTH Used with CAPTAIN'S PACKAGE OPTION (NOTE: NOT USED with CAPTAIN'S PACKAGE CHRTPLTTR/FISHFINDER A67WIFI OPTION)
9	2147389	FIRE EXT SYS, FM200 150CF MAN/AUTO CMPCT R/LH Used with FIRE SUPPRESSION SYSTEM (FM200)- AUTOMATIC OPTION Used with C E FIRE SYSTEM OPTION
	2147320	HALON CABLE, MNL RLS CABLE X 14'RED Used with FIRE SUPPRESSION SYSTEM (FM200)- AUTOMATIC OPTION Used with C E FIRE SYSTEM OPTION
	884916	WASHER, 190BR/CB 97 HALON SYSTEM LIGHT Used with FIRE SUPPRESSION SYSTEM (FM200)- AUTOMATIC OPTION Used with C E FIRE SYSTEM OPTION

HARNESSES

	2078953	HARNESS, SR OBD-M MIL 25'EXTSN
	2246809	HARNESS, 19/21SPX-17 MAIN BOAT

SPLIT CONDUIT

	1501782	HOSE, CONDUIT/SPLIT 1/2" FLAME RETARDANT
	1543875	HOSE, CONDUIT/SPLIT 5/8" FLAME RETARDANT
	1502202	HOSE, CONDUIT/SPLIT 2" FLAME RETARDANT

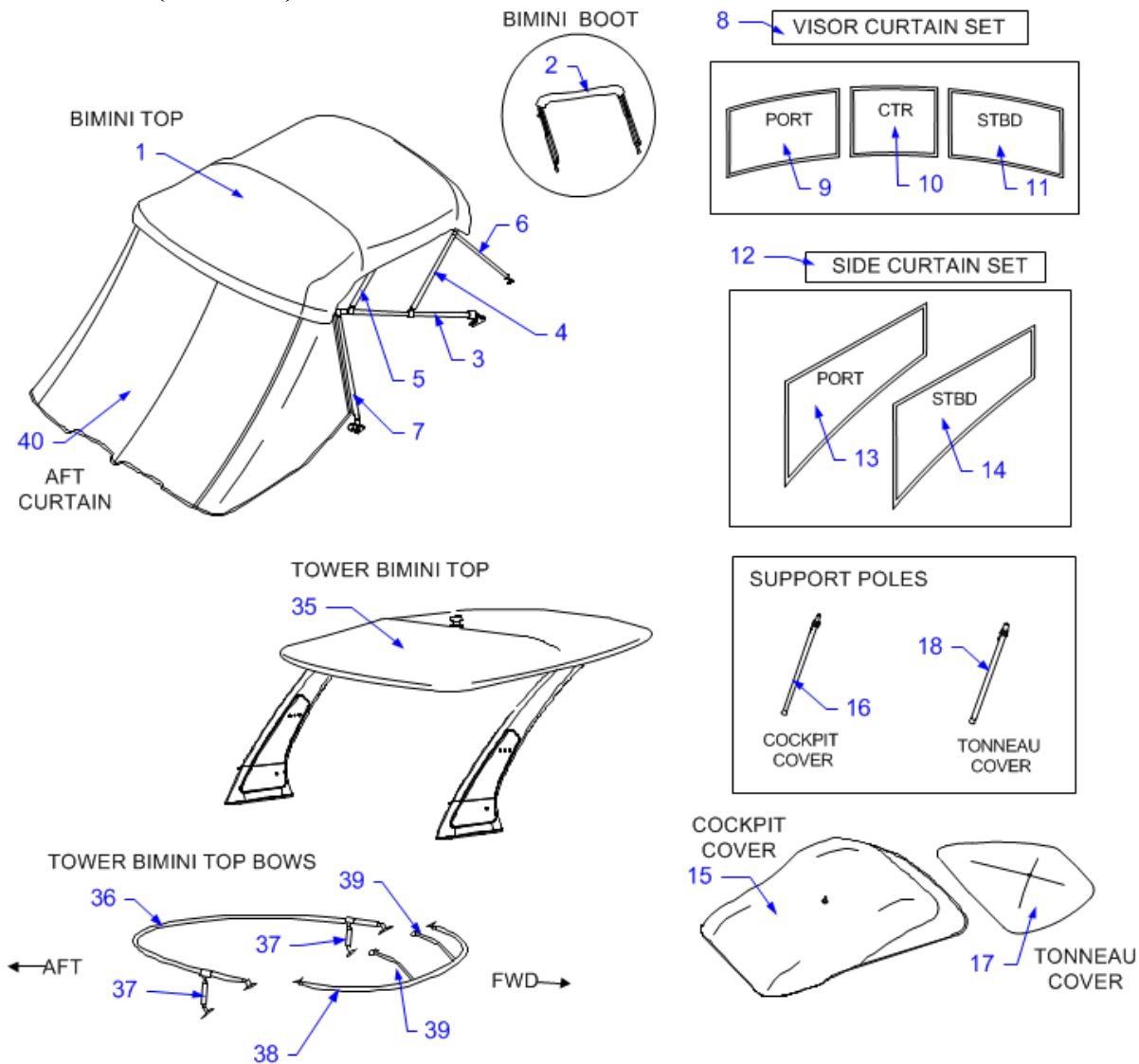
CLAMPS

	1700355	CLAMP, HOSE 1 3/8" SS
	123398	CLAMP, HOSE #06M 5/16"-7/8"SS MINI
	256677	CLAMP, HOSE #12 1/2"-1.25" SS .505
	256693	CLAMP, HOSE #24 1"-2"SS .505
	1701902	CLAMP, LOOM NYLON 1/4"
	123539	CLAMP, HOSE #48 1 5/8"-3.5"SS
	2262636	CLAMP, LOOM 1"SS (304) W/EPDM CUSH
	2262637	CLAMP, LOOM 2"SS (304) W/EPDM CUSH
	2262638	CLAMP, LOOM 2.5"SS (304) W/EPDM CUSH

NOT SHOWN

	843656	FLOORING, VINYL DIAMOND PLATE 4'X 75'
--	--------	---------------------------------------

CANVAS (BLACK)



CANVAS HARDWARE

QUICK-RELEASE MOUNT 19		END CAP 20	JAW SLIDE 21	STRAP EYE 22	SPACER 23	W/S CLIP SNAP BLK 24	BIMINI CLIP 25	
BALL/SOCKET END CAP 26	BALL/SOCKET JAW SLIDE 27	PULL PIN 28	BALL/SOCKET INSERT 29	BALL/SOCKET RADIUS MOUNT 30	BALL/SOCKET FLAT MOUNT 31	SHOCKCORD CLIP 32	PULL TAB 33	LACING KNOB 34

CANVAS (BLACK)

1 2151980

CANVAS, 19SPX-15 BIM TOP BLK

Used with BIMINI TOP OPTION (No Tower)|Used with CANVAS ENCLOSURE PACKAGE OPTION (No Tower)|(NOTE: Boot Not Included with Top)

2184099

CANVAS, 19SPX-15 BIM TOP FAB BLK

(Part of 2151980)

	2231492	CANVAS, 19SPX-15 BIM TOP BOWS W/HDWR (Part of Bimini Top Assembly)
2	2151982	CANVAS, 19SPX-15 BIM TOP BOOT W/EMB BLK Used with BIMINI TOP OPTION (No Tower) Used with CANVAS ENCLOSURE PACKAGE OPTION (No Tower)
3	2165196	CANVAS, 19SPX-15 BIM TOP MAIN BOW W/HDWR (Part of 2151980)
4	2165195	CANVAS, 19SPX-15 BIM TOP BOW2 W/HDWR (Part of 2151980)
5	2165197	CANVAS, 19SPX-15 BIM TOP BOW3 W/HDWR (Part of 2151980)
6	2165194	CANVAS, 19SPX-15 BIM TOP FWD STRAP BLK (Part of 2151980)
7	2165198	CANVAS, 19SPX-15 BIM TOP REAR STANCH (Part of 2151980)
8	2160460	CANVAS, 19SPX-15 VSR CURT 3PC CLR/BLK Used with CANVAS ENCLOSURE PACKAGE OPTION (No Tower)
9	2165199	CANVAS, 19SPX-15 VSR CURT PRT CLR/BLK (Port Only - Part of 2160460 Visor Curtain Set)
10	2165200	CANVAS, 19SPX-15 VSR CURT CTR CLR/BLK (Center Only - Part of 2160460 Visor Curtain Set)
11	2165201	CANVAS, 19SPX-15 VSR CURT STB CLR/BLK (Stbd Only - Part of 2160460 Visor Curtain Set)
12	2160458	CANVAS, 19SPX-15 SIDE CURT SET BLK Used with CANVAS ENCLOSURE PACKAGE OPTION (No Tower)
13	2165203	CANVAS, 19SPX-15 SIDE CURT PRT W/SNPS BLK (Port Only - Part of 2160458 Side Curtain Set)
14	2165205	CANVAS, 19SPX-15 SIDE CURT STB W/SNPS BLK (Stbd Only - Part of 2160458 Side Curtain Set)
15	2152023	CANVAS, 19SPX-15 CPC N/CUT OUTS W/SNAPS BLK (No Bimini Cut Outs) - Used with COCKPIT COVER W/TONNEAU COVER OPTION (No Bimini Top or Tower)
	2163273	CANVAS, 19SPX-15 BIM CPC W/O SNAPS BLK (With Bimini Cut Outs - Not Used with Tower) - Used with CANVAS ENCLOSURE PACKAGE OPTION
	2151997	CANVAS, 19SPX-15 BIM CPC W/SNAPS BLK (With Bimini Cut Outs -Not used with Tower) Used with BIMINI TOP COCKPIT COVER W/TONNEAU OPTION
	2151999	CANVAS, 19SPX-15 CPC W/TWR W/SNAP BLK (Used with Tower) Used with ELEVATION PKG COCKPIT COVER W/TONNEAU COVER OPTION
16	1811351	POLE, CKPT CVR SUPPORT ADJ
17	2151994	CANVAS, 19/21SPX-15 TONNEAU CVR BLK Used with COCKPIT COVER W/TONNEAU COVER OPTION
18	148429	POLE, TONNEAU COVER SUPPORT ADJ
19	2096191	HINGE, QUICK RELEASE MOUNT
	2104178	GASKET, QUICK RELEASE ACCON MOUNT
20	1980129	CAP, SS EYE END 7/8"
21	1980161	SLIDE, SS 7/8" JAW
22	2063582	FITTING, STRAP EYE SS
23	580696	CANVAS, SPACER SIDE CURTAIN 1"

24	1954939	CLIP, W/S M3 P22-09 CKPT CNVS CVR
25	2157435	CANVAS, BIM CLIP 7/8" GRY
26	1760354	CAP, SS EYE END BALL/SOCKET TYPE
27	1760355	SLIDE, JAW SLIDE BALL/SOCKET TYPE SS
	1760596	SCREW, SLOT PAN BALL/SOCKET JAW SLIDE
28	1760595	PIN, PULL BALL/SOCKET TYPE W/RING LNYRD BLK
29	1760358	INSERT, DECK HINGE BALL/SOCKET BLK
30	1956843	HINGE, DECK BAL/SCKT RADIUS PRT D-RING PULL
	1956844	HINGE, DECK BAL/SCKT RADIUS STBD D-RING PULL
31	1919445	HINGE, BALL/SOCKET STRAIGHT PRT PUSH BUTTON
	1919446	HINGE, BALL/SOCKET STRAIGHT STB PUSH BUTTON
32	1778676	CLIP, SHOCKCORD/CVR WHT W/ELAS 04
33	1898301	CLIP, WHT TAB ZIP PULL W/1/8"X5" CORD
34	1761645	KNOB, SHOCKCORD LACING
35	2151987	CANVAS, 19SPX-15 BIM TOP W/TWR BLK Used with ELEVATION PACKAGE OPTION (Tower) Used with WATER SPORTS TOWER W/ BIMINI OPTION (NOTE:Boot Not Included with Top)
	2184293	CANVAS, 19SPX-15 BIM TOP W/TWR FAB BLK (Part of 2151987)
	2184298	CANVAS, 19SPX-15 BIM TOP W/TWR MNTG HDWR PKG (Part of 2151987)
	2151990	CANVAS, 19SPX-15 BIM BOOT W/TWR BLK Used with ELEVATION PACKAGE OPTION (Tower) Used with WATER SPORTS TOWER W/ BIMINI OPTION
36	2184294	CANVAS, 19SPX-15 BIM TOP W/TWR MAIN BOW W/HWR (Part of 2151987)
37	2184297	CANVAS, 19SPX-15 BIM TOP W/TWR RR STNCH W/HWR (Part of 2151987)
38	2184295	CANVAS, 19SPX-15 BIM TOP W/TWR BOW2 W/HWR (Part of 2151987)
39	2184296	CANVAS, 19SPX-15 BIM TOP W/TWR FWD STNCH W/HW (Part of 2151987)
40	2160455	CANVAS, 19SPX-15 AFT CURT BLK Used with CANVAS ENCLOSURE PACKAGE OPTION (No Tower)

STORAGE BAG

	2208148	CANVAS, SHARKSKIN SD GRY STRG BAG 10"X 70" Used with CANVAS ENCLOSURE PACKAGE OPTION
	2208149	CANVAS, SHARKSKIN SD GRY STRG BAG 12"X 38" Used with CANVAS ENCLOSURE PACKAGE OPTION Used with COCKPIT COVER W/TONNEAU COVER OPTION

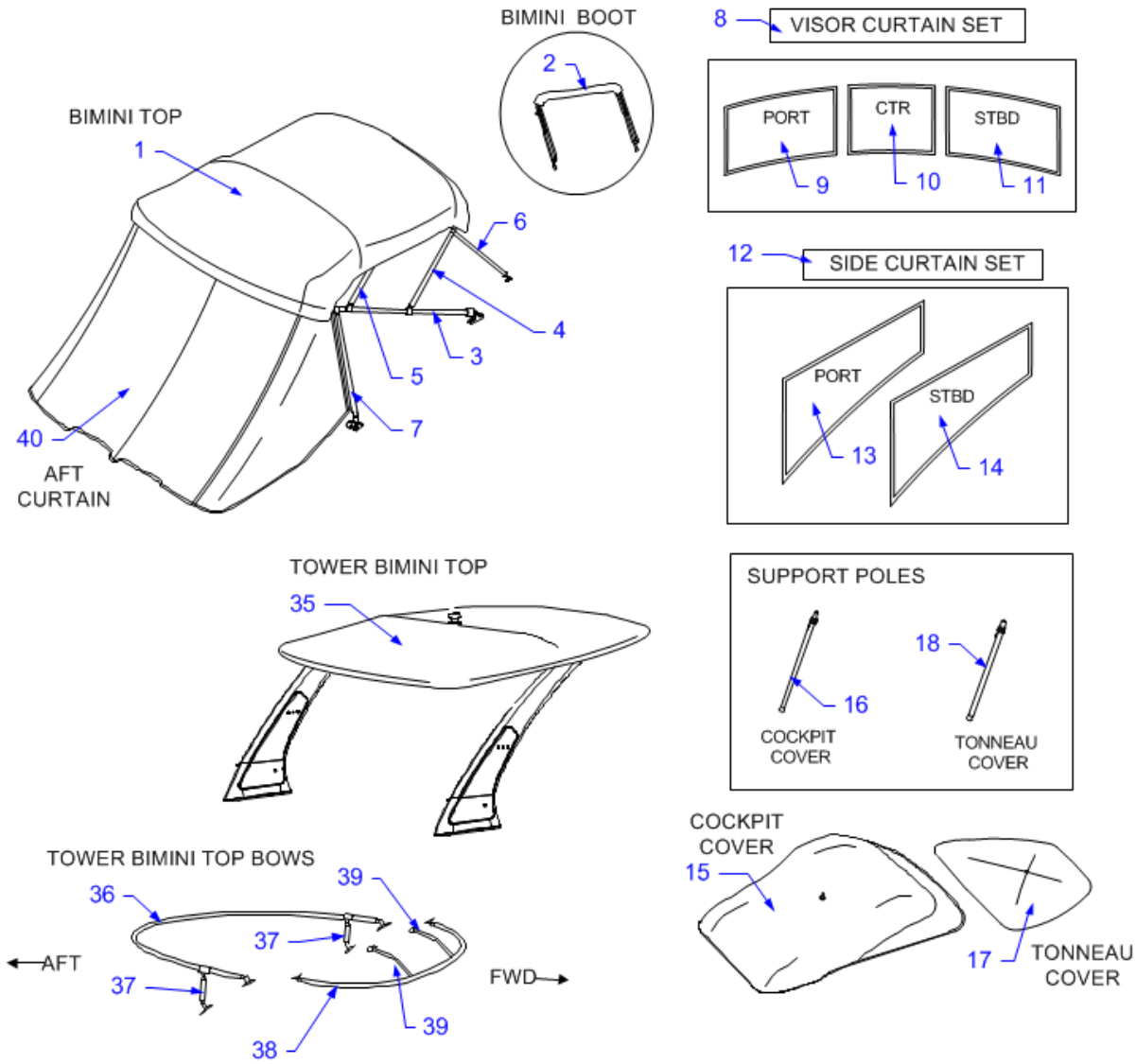
MOORING COVER

	2151992	CANVAS, 19SPX-15 MOORING CVR W/BAG BLK Used with MOORING COVER OPTION (No Tower)
	2212187	CANVAS, GL MOORING CVR BAG BLK (Bag Only - Part of 2151992)
	2151993	CANVAS, 19SPX-15 MOORING CVR W/TWR/BLK Used with ELEVATION PACKAGE OPTION (Tower) Used with WATER SPORTS TOWER W/ BIMINI OPTION
	2251897	CANVAS, 19SPX-16 MOOR CVR W/TRL MTR/BAG BLK

2251898

Used with ALL SPORT MOORING COVER OPTION
CANVAS, 19SPX-16 MOOR CVR W/TRL MTR/TWR/BLK
Used with ALL SPORT ELEVATION PKG MOORING COVER OPTION

CANVAS (BLUE)



CANVAS HARDWARE

QUICK-RELEASE MOUNT 		END CAP 	JAW SLIDE 	STRAP EYE 	SPACER 	W/S CLIP SNAP BLK 	BIMINI CLIP 	
BALL/SOCKET END CAP 	BALL/SOCKET JAW SLIDE 	PULL PIN 	BALL/SOCKET INSERT 	BALL/SOCKET RADIUS MOUNT 	BALL/SOCKET FLAT MOUNT 	SHOCKCORD CLIP 	PULL TAB 	LACING KNOB

CANVAS (BLUE)

1 2173676

CANVAS, 19SPX-15 BIM TOP PAC BLUE

Used with PACIFIC BLUE BIMINI TOP OPTION (No Tower)|Used with CANVAS ENCLOSURE PACKAGE OPTION (No Tower)|(NOTE: Boot Not Included with Top)

2184100

CANVAS, 19SPX-15 BIM TOP FAB PAC BLUE

(Bimini Top Blue Fabric Only - Part of 2173676 Bimini Top)

2223474	CANVAS, 19SPX-16 BIM TOP MRN MDNT Used with MARINE MIDNIGHT BIMINI TOP OPTION (No Tower) Used with CANVAS ENCLOSURE PACKAGE OPTION (No Tower) (NOTE: Boot Not Included with Top)
2231246	CANVAS, 19SPX-16 BIM TOP FAB MRN MDNT (Bimini Top Fabric Only - Part of 223471)
2231492	CANVAS, 19SPX-15 BIM TOP BOWS W/HDWR (Part of Bimini Top Assembly)
2 2173675	CANVAS, 19SPX-15 BIM TOP BOOT W/EMB PAC BLUE Used with PACIFIC BLUE BIMINI TOP OPTION (No Tower) Used with CANVAS ENCLOSURE PACKAGE OPTION (No Tower)
2223475	CANVAS, 19SPX-16 BIM TOP BOOT W/EMB MRN MDNT BIMINI TOP & BOOT
3 2165196	CANVAS, 19SPX-15 BIM TOP MAIN BOW W/HDWR (Main Bow Only - Part of 2173676 Bimini Top)
4 2165195	CANVAS, 19SPX-15 BIM TOP BOW2 W/HDWR (Second Bow Only - Part of 2173676 Bimini Top)
5 2165197	CANVAS, 19SPX-15 BIM TOP BOW3 W/HDWR (Third Bow Only - Part of 2173676 Bimini Top)
6 2165194	CANVAS, 19SPX-15 BIM TOP FWD STRAP BLK (Forward Strap Only - Part of 2173676 Bimini Top)
7 2165198	CANVAS, 19SPX-15 BIM TOP REAR STANCH (Rear Stanchion Only - Part of 2173676 Bimini Top)
8 2173664	CANVAS, 19SPX-15 VSR CURT 3PC CLR/PAC BLUE (Used with NO TOWER) PACIFIC BLUE CANVAS (Used with BIMINI TOP - CANVAS ENCLOSURE PACKAGE OPTION
2223476	CANVAS, 19SPX-16 VSR CURT 3PC CLR/MRN MDNT (Used with NO TOWER) MARINE MIDNIGHT BLUE CANVAS (Used with BIMINI TOP - CANVAS ENCLOSURE PACKAGE OPTION
9 2184102	CANVAS, 19SPX-15 VSR CURT PRT PAC BLUE (Port Visor Curatin - Part of 2173664) (NOTE: NOT USED WITH TOWER OPTION)
2231250	CANVAS, 19SPX-16 VSR CURT PRT MRN MDNT (Port Visor Curtain - Part of 2223476) (NOTE: NOT USED WITH TOWER OPTION)
10 2184103	CANVAS, 19SPX-15 VSR CURT CTR PAC BLUE (Center Visor Curtain - Part of 2173664) (NOTE: NOT USED WITH TOWER OPTION)
2231251	CANVAS, 19SPX-16 VSR CURT CTR MRN MDNT (Center Visor Curtain - Part of 2223476) (NOTE: NOT USED WITH TOWER OPTION)
11 2184104	CANVAS, 19SPX-15 VSR CURT STB PAC BLUE (Stbd Visor Curtain - Part of 2173664) (NOTE: NOT USED WITH TOWER OPTION)
2231252	CANVAS, 19SPX-16 VSR CURT STB MRN MDNT (Stbd Visor Curtain - Part of 2223476) (NOTE: NOT USED WITH TOWER OPTION)
12 2173665	CANVAS, 19SPX-15 SIDE CURT SET PAC BLUE Used with PACIFIC BLUE BIMINI TOP CANVAS ENCLOSURE PACKAGE OPTION (No Tower)
2223477	CANVAS, 19SPX-16 SIDE CURT SET MRN MDNT Used with MARINE MIDNIGHT BIMINI TOP CANVAS ENCLOSURE PACKAGE OPTION (No Tower)
13 2184105	CANVAS, 19SPX-15 SIDE CURT PRT PAC BLUE (Port Side Curtain - Part of 2173665) (NOTE: NOT USED WITH TOWER OPTION)
2231248	CANVAS, 19SPX-16 SIDE CURT PRT MRN MDNT (Port Side Curtain - Part of 2223477) (NOTE: NOT USED WITH TOWER OPTION)
14 2184106	CANVAS, 19SPX-15 SIDE CURT STB PAC BLUE (Stbd Side Curtain - Part of 2173665) (NOTE: NOT USED WITH TOWER OPTION)

	2231249	CANVAS, 19SPX-16 SIDE CURT STB MRN MDNT (Stbd Side Curtain - Part of 2223477) (NOTE: NOT USED WITH TOWER OPTION)
15	2173670	CANVAS, 19SPX-15 CPC N/CUT OUTS W/SNAPS PACBL (No Bimini Cut Outs) Used with PACIFIC BLUE COCKPIT COVER W/TONNEAU COVER OPTION
	2223481	CANVAS, 19SPX-16 CPC N/CUT OUTS W/SNAPS MMDNT (No Bimini Cut Outs) Used with MARINE MIDNIGHT BLUE COCKPIT COVER W/TONNEAU COVER OPTION
	2173662	CANVAS, 19SPX-15 BIM CPC W/O SNAPS PAC BLUE (With Bimini Cut Outs - Not Used with Tower) Used with PACIFIC BLUE CANVAS ENCLOSURE PACKAGE OPTION
	2223479	CANVAS, 19SPX-16 BIM CPC W/O SNAPS MRN MDNT (With Bimini Cut Outs - Not Used with Tower) Used with MARINE MIDNIGHT BLUE CANVAS ENCLOSURE PACKAGE OPTION
	2173668	CANVAS, 19SPX-15 BIM CPC W/SNAPS PAC BLUE (With Bimini Cut Outs -Not used with Tower) Used with PACIFIC BLUE BIMINI TOP COCKPIT COVER W/ TONNEAU OPTION
	2223482	CANVAS, 19SPX-16 BIM CPC W/SNAPS MRN MDNT (With Bimini Cut Outs -Not used with Tower) Used with MARINE MIDNIGHT BLUE BIMINI TOP COCKPIT COVER W/ TONNEAU OPTION
	2173672	CANVAS, 19SPX-15 CPC W/TWR W/SNAP PAC BLUE (Used with Tower) Used with PACIFIC BLUE ELEVATION PKG COCKPIT COVER W/TONNEAU COVER OPTION
	2223485	CANVAS, 19SPX-16 CPC W/TWR W/SNAP MRN MDNT (Used with Tower) Used with MARINE MIDNIGHT BLUE ELEVATION PKG COCKPIT COVER W/TONNEAU COVER OPTION
16	1811351	POLE, CKPT CVR SUPPORT ADJ (REPLACEMENT COCKPIT COVER SUPPORT POLE)
17	2173600	CANVAS, 19/21SPX-15 TONNEAU CVR PAC BLUE Used with PACIFIC BLUE COCKPIT COVER W/TONNEAU COVER OPTION
	2223480	CANVAS, 19/21SPX-16 TONNEAU CVR MRN MDNT Used with MARINE MIDNIGHT BLUE COCKPIT COVER W/TONNEAU COVER OPTION
18	148429	POLE, TONNEAU COVER SUPPORT ADJ (REPLACEMENT TONNEAU COVER SUPPORT POLE)
19	2096191	HINGE, QUICK RELEASE MOUNT
20	1980129	CAP, SS EYE END 7/8"
21	1980161	SLIDE, SS 7/8" JAW
22	2063582	FITTING, STRAP EYE SS
23	580696	CANVAS, SPACER SIDE CURTAIN 1"
24	1954939	CLIP, W/S M3 P22-09 CKPT CNVS CVR
25	2157435	CANVAS, BIM CLIP 7/8" GRY
26	1760354	CAP, SS EYE END BALL/SOCKET TYPE
27	1760355	SLIDE, JAW SLIDE BALL/SOCKET TYPE SS
	1760596	SCREW, SLOT PAN BALL/SOCKET JAW SLIDE
28	1760595	PIN, PULL BALL/SOCKET TYPE W/RING LNYRD BLK
29	1760358	INSERT, DECK HINGE BALL/SOCKET BLK
30	1956843	HINGE, DECK BAL/SCKT RADIUS PRT D-RING PULL
	1956844	HINGE, DECK BAL/SCKT RADIUS STBD D-RING PULL
31	1919445	HINGE, BALL/SOCKET STRAIGHT PRT PUSH BUTTON
	1919446	HINGE, BALL/SOCKET STRAIGHT STB PUSH BUTTON

32	1778676	CLIP, SHOCKCORD/CVR WHT W/ELAS 04
33	1898301	CLIP, WHT TAB ZIP PULL W/1/8"X5" CORD
34	1761645	KNOB, SHOCKCORD LACING
35	2173674	CANVAS, 19SPX-15 BIM TOP W/TWR PAC BLUE (NOTE:Boot Not Included) Used with PACIFIC BLUE ELEVATION PACKAGE OPTION Used with WATER SPORTS TOWER W/BIMINI OPTION
	2184299	CANVAS, 19SPX-15 BIM TOP W/TWR FAB PAC BLUE (Bimini Top Tower Blue Fabric Only - Part of 2173674)
	2184298	CANVAS, 19SPX-15 BIM TOP W/TWR MNTG HDWR PKG (Bimini Top Tower Mounting Hardware Pkg Only - Part of 2173674)
	2173673	CANVAS, 19SPX-15 BIM BOOT W/TWR PAC BLUE Used with PACIFIC BLUE ELEVATION PACKAGE OPTION (Tower) Used with WATER SPORTS TOWER W/ BIMINI OPTION
	2223471	CANVAS, 19SPX-16 BIM TOP W/TWR MRN MDNT (NOTE:Boot Not Included) Used with MARINE MIDNIGHT BLUE ELEVATION PACKAGE OPTION Used with WATER SPORTS TOWER W/BIMINI OPTION
	2231247	CANVAS, 19SPX-16 BIM TOP W/TWR FAB MRN MDNT (Tower Bimini Top Fabric Only - Part of 2223471)
	2223472	CANVAS, 19SPX-16 BIM BOOT W/TWR MRN MDNT Used with MARINE MIDNIGHT BLUE ELEVATION PACKAGE OPTION (Tower) Used with WATER SPORTS TOWER W/ BIMINI OPTION
36	2184294	CANVAS, 19SPX-15 BIM TOP W/TWR MAIN BOW W/HWR (Bimini Top Tower Main Bow Only - Part of 2173674)
37	2184297	CANVAS, 19SPX-15 BIM TOP W/TWR RR STNCH W/HWR (Bimini Top Tower Rear Stanchion Only - Part of 2173674)
38	2184295	CANVAS, 19SPX-15 BIM TOP W/TWR BOW2 W/HWR (Bimini Top Tower Second Bow Only - Part of 2173674)
39	2184296	CANVAS, 19SPX-15 BIM TOP W/TWR FWD STNCH W/HW (Bimini Top Tower Fwd Stanchion Only - Part of 2173674)
40	2173667	CANVAS, 19SPX-15 AFT CURT PAC BLUE (Used with NO TOWER) Used with PACIFIC BLUE CANVAS ENCLOSURE PACKAGE OPTION
	2223478	CANVAS, 19SPX-16 AFT CURT MRN MDNT (Used with NO TOWER) Used with MARINE MIDNIGHT BLUE CANVAS ENCLOSURE PACKAGE OPTION

MOORING COVER

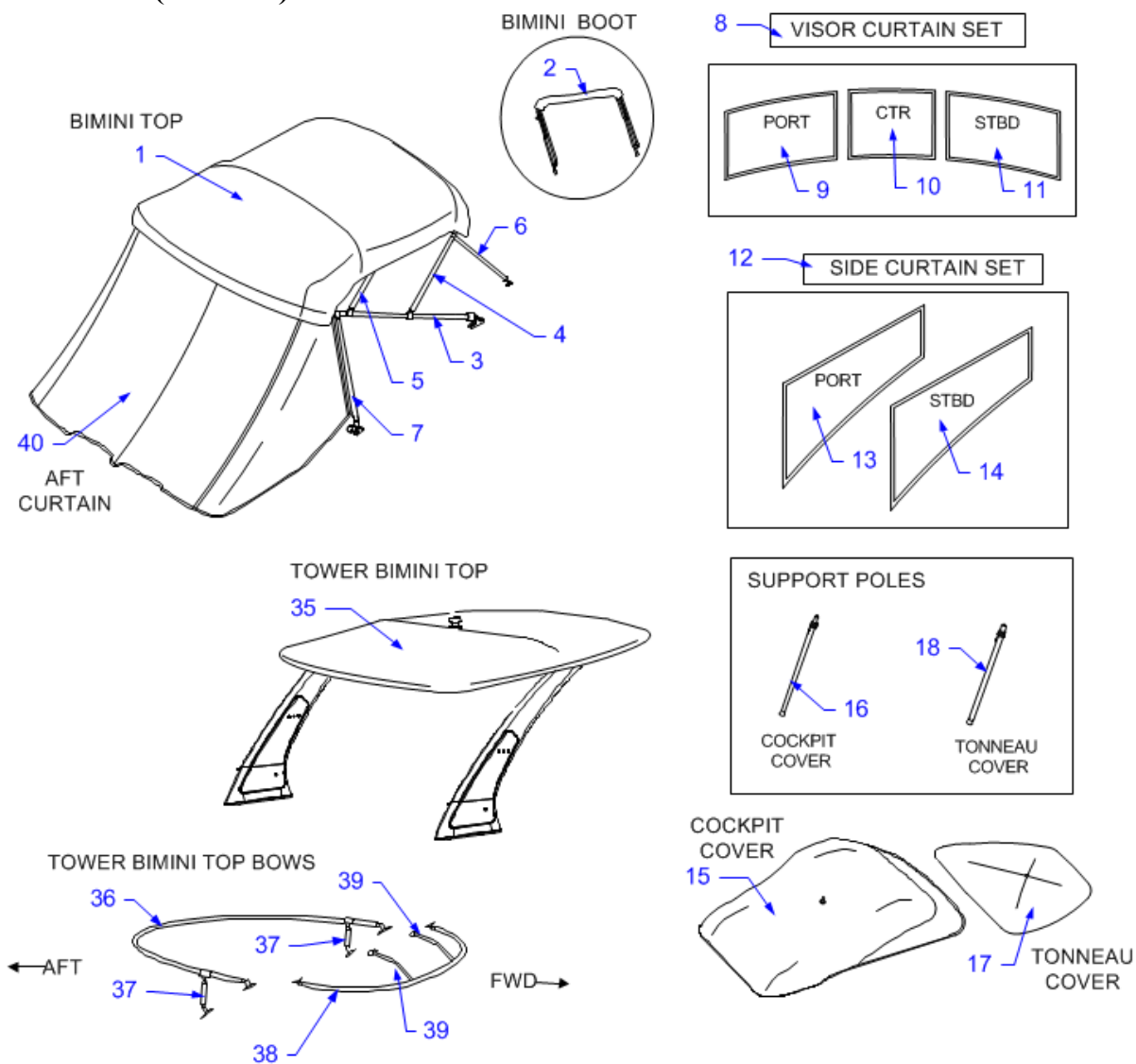
	2151992	CANVAS, 19SPX-15 MOORING CVR W/BAG BLK Used with MOORING COVER OPTION (No Tower)
	2212187	CANVAS, GL MOORING CVR BAG BLK (Bag Only - Part of 2151992)
	2151993	CANVAS, 19SPX-15 MOORING CVR W/TWR/BLK Used with ELEVATION PACKAGE OPTION (Tower) Used with WATER SPORTS TOWER W/ BIMINI OPTION
	2251897	CANVAS, 19SPX-16 MOOR CVR W/TRL MTR/BAG BLK Used with ALL SPORT MOORING COVER OPTION
	2251898	CANVAS, 19SPX-16 MOOR CVR W/TRL MTR/TWR/BLK Used with ALL SPORT ELEVATION PKG MOORING COVER OPTION

STORAGE BAG

	2208148	CANVAS, SHARKSKIN SD GRY STRG BAG 10"X 70" Used with CANVAS ENCLOSURE PACKAGE OPTION
	2208149	CANVAS, SHARKSKIN SD GRY STRG BAG 12"X 38" Used with CANVAS ENCLOSURE PACKAGE OPTION Used with COCKPIT COVER

W/TONNEAU COVER OPTION

CANVAS (TOAST)



CANVAS HARDWARE

QUICK-RELEASE MOUNT 		END CAP 	JAW SLIDE 	STRAP EYE 	SPACER 	W/S CLIP SNAP BLK 	BIMINI CLIP 	
BALL/SOCKET END CAP 	BALL/SOCKET JAW SLIDE 	PULL PIN 	BALL/SOCKET INSERT 	BALL/SOCKET RADIUS MOUNT 	BALL/SOCKET FLAT MOUNT 	SHOCKCORD CLIP 	PULL TAB 	LACING KNOB

CANVAS (TOAST)

1 2151977

CANVAS, 19SPX-15 BIM TOP TOAST TWEED

(Used with NO TOWER)|NOTE:Boot Not Included|Used with BIMINI TOP & BOOT, SS.BALL & SOCKET HRDWARE OPTION|Used with CANVAS ENCLOSURE PACKAGE OPT

2184101

CANVAS, 19SPX-15 BIM TOP FAB TOAST TWEED

(Bimini Top Fabric Only - Part of 2151577 Bimini Top)

2231492	CANVAS, 19SPX-15 BIM TOP BOWS W/HDWR (Part of Bimini Top Assembly)
2 2151984	CANVAS, 19SPX-15 BIM TOP BOOT W/EMB TST TWEED Used with BIMINI TOP OPTION (No Tower) Used with CANVAS ENCLOSURE PACKAGE OPTION (No Tower)
3 2165196	CANVAS, 19SPX-15 BIM TOP MAIN BOW W/HDWR (Main Bow Only - Part of 2151577 Bimini Top)
4 2165195	CANVAS, 19SPX-15 BIM TOP BOW2 W/HDWR (Second Bow Only - Part of 2151577 Bimini Top)
5 2165197	CANVAS, 19SPX-15 BIM TOP BOW3 W/HDWR (Third Bow Only - Part of 2151577 Bimini Top)
6 2165194	CANVAS, 19SPX-15 BIM TOP FWD STRAP BLK (Forward Strap Only - Part of 2151577 Bimini Top)
7 2165198	CANVAS, 19SPX-15 BIM TOP REAR STANCH (Rear Stanchion Only - Part of 2151577 Bimini Top)
8 2160461	CANVAS, 19SPX-15 VSR CURT 3PC CLR/TOAST TWEED (Used with NO TOWER) Used with BIMINI CANVAS ENCLOSURE PACKAGE OPTION
9 2184110	CANVAS, 19SPX-15 VSR CURT PRT TOAST TWEED (Part of 2160461)
10 2184111	CANVAS, 19SPX-15 VSR CURT CTR TOAST TWEED (Part of 2160461)
11 2184112	CANVAS, 19SPX-15 VSR CURT STB TOAST TWEED (Part of 2160461)
12 2160459	CANVAS, 19SPX-15 SIDE CURT SET TOAST TWEED (Used with NO TOWER) Used with BIMINI CANVAS ENCLOSURE PACKAGE OPTION
13 2184113	CANVAS, 19SPX-15 SIDE CURT PRT TOAST TWEED (Part of 2160459)
14 2184114	CANVAS, 19SPX-15 SIDE CURT STB TOAST TWEED (Part of 2160459)
15 2152025	CANVAS, 19SPX-15 CPC N/CUT OUT W/SNPS TSTTWD (No Bimini Cut Outs - Not Used with Tower) - Used with COCKPIT COVER W/TONNEAU COVER OPTION (No Bimini Top or Tower)
2163274	CANVAS, 19SPX-15 BIM CPC W/O SNAPS TST TWEED (With Bimini Cut Outs - Not Used with Tower) - Used with CANVAS ENCLOSURE PACKAGE OPTION
2151998	CANVAS, 19SPX-15 BIM CPC W/SNAPS TOAST TWEED (With Bimini Cut Outs -Not used with Tower) Used with BIMINI TOP COCKPIT COVER W/TONNEAU OPTION
2152000	CANVAS, 19SPX-15 CPC W/TWR W/SNAP TOAST TWEED (Used with Tower) Used with ELEVATION PKG COCKPIT COVER W/TONNEAU COVER OPTION
16 1811351	POLE, CKPT CVR SUPPORT ADJ
17 2151995	CANVAS, 19/21SPX-15 TONNEAU CVR TOAST TWEED Used with TONNEAU COVER ONLY OPTION Used with COCKPIT COVER W/TONNEAU COVER OPTION
18 148429	POLE, TONNEAU COVER SUPPORT ADJ
19 2096191	HINGE, QUICK RELEASE MOUNT
2104178	GASKET, QUICK RELEASE ACCON MOUNT
20 1980129	CAP, SS EYE END 7/8"
21 1980161	SLIDE, SS 7/8" JAW
22 2063582	FITTING, STRAP EYE SS

23	580696	CANVAS, SPACER SIDE CURTAIN 1"
24	1954939	CLIP, W/S M3 P22-09 CKPT CNVS CVR
25	2157435	CANVAS, BIM CLIP 7/8" GRY
26	1760354	CAP, SS EYE END BALL/SOCKET TYPE
27	1760355	SLIDE, JAW SLIDE BALL/SOCKET TYPE SS
	1760596	SCREW, SLOT PAN BALL/SOCKET JAW SLIDE
28	1760595	PIN, PULL BALL/SOCKET TYPE W/RING LNYRD BLK
29	1760358	INSERT, DECK HINGE BALL/SOCKET BLK
30	1956843	HINGE, DECK BAL/SCKT RADIUS PRT D-RING PULL
	1956844	HINGE, DECK BAL/SCKT RADIUS STBD D-RING PULL
31	1919445	HINGE, BALL/SOCKET STRAIGHT PRT PUSH BUTTON
	1919446	HINGE, BALL/SOCKET STRAIGHT STB PUSH BUTTON
32	1778676	CLIP, SHOCKCORD/CVR WHT W/ELAS 04
33	1898301	CLIP, WHT TAB ZIP PULL W/1/8"X5" CORD
34	1761645	KNOB, SHOCKCORD LACING
35	2151988	CANVAS, 19SPX-15 BIM TOP W/TWR TOAST TWEED Used with ELEVATION PACKAGE OPTION (Tower) Used with WATER SPORTS TOWER W/ BIMINI OPTION (NOTE:Boot Not Included with Top)
	2184300	CANVAS, 19SPX-15 BIM TOP W/TWR FAB TOAST TWD (Bimini Top Tower Fabric Only - Part of 2151988)
	2184298	CANVAS, 19SPX-15 BIM TOP W/TWR MNTG HDWR PKG (Bimini Top Tower Mounting Hardware Pkg - Part of 2151988)
	2151991	CANVAS, 19SPX-15 BIM BOOT W/TWR TOAST TWEED Used with ELEVATION PACKAGE OPTION (Tower) Used with WATER SPORTS TOWER W/ BIMINI OPTION
36	2184294	CANVAS, 19SPX-15 BIM TOP W/TWR MAIN BOW W/HWR (Bimini Top Tower Main Bow - Part of 2151988)
37	2184297	CANVAS, 19SPX-15 BIM TOP W/TWR RR STNCH W/HWR (Bimini Top Tower Rear Stanchion - Part of 2151988)
38	2184295	CANVAS, 19SPX-15 BIM TOP W/TWR BOW2 W/HWR (Bimini Top Tower Second Bow - Part of 2151988)
39	2184296	CANVAS, 19SPX-15 BIM TOP W/TWR FWD STNCH W/HW (Bimini Top Tower Fwd Stanchion - Part of 2151988)
40	2160457	CANVAS, 19SPX-15 AFT CURT TOAST TWEED (Used with NO TOWER) Used with BIMINI CANVAS ENCLOSURE PACKAGE OPTION

STORAGE BAG

	2208148	CANVAS, SHARKSKIN SD GRY STRG BAG 10"X 70" Used with CANVAS ENCLOSURE PACKAGE OPTION
	2208149	CANVAS, SHARKSKIN SD GRY STRG BAG 12"X 38" Used with CANVAS ENCLOSURE PACKAGE OPTION Used with COCKPIT COVER W/TONNEAU COVER OPTION

MOORING COVER

	2151992	CANVAS, 19SPX-15 MOORING CVR W/BAG BLK Used with MOORING COVER OPTION (No Tower)
	2212187	CANVAS, GL MOORING CVR BAG BLK (Bag Only - Part of 2151992)
	2151993	CANVAS, 19SPX-15 MOORING CVR W/TWR/BLK Used with ELEVATION PACKAGE OPTION (Tower) Used with WATER SPORTS TOWER W/ BIMINI OPTION

2251897

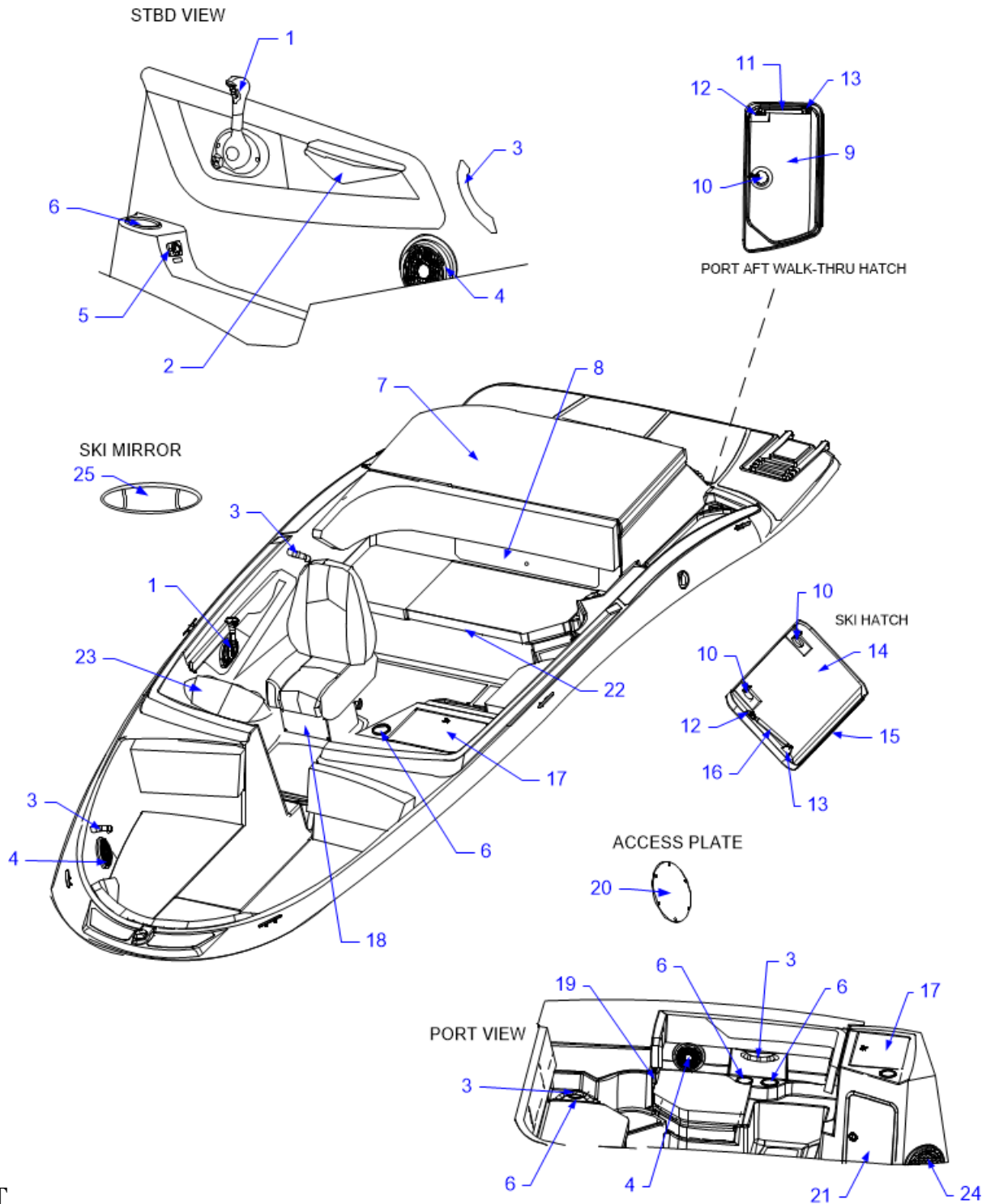
CANVAS, 19SPX-16 MOOR CVR W/TRL MTR/BAG BLK

Used with ALL SPORT MOORING COVER OPTION

2251898

CANVAS, 19SPX-16 MOOR CVR W/TRL MTR/TWR/BLK

Used with ALL SPORT ELEVATION PKG MOORING COVER OPTION



COCKPIT

COCKPIT

1	1943542	CONTROL, SIDE MNT PISTOL GRIP 4000 GEN II CHR
2	2152455	FBRGLS PART, 19SPX-15 ARMREST (Fiberglass Part Only - No Upholstery) (In-House Mfg Part-Please Provide HIN When Placing Order or Inquiry)
3	1983880 1780393	HANDLE, GRAB HNDL BLK 01 RAIL, GRAB 8" 316L SS W/GASKET1 Used with STAINLESS STEEL COMPONENT UPGRADE OPTION
4	2187823	SPEAKER, ROCKFORD FOSGATE PRM M0 6.5" RM0652

	2235004	SPEAKER, ROCKFORD FOSGATE PRM M0 6.5"BLK Used with SELECT PACKAGE - SAHARA OPTION Used with SELECT PACKAGE - COGNAC OPTION
	2235006	SPEAKER, ROCKFORD FOSSGATE PUNCH M2 6.5" BLK Used with PREMIER AUDIO UPGRADE OPTION
	2235005	SPEAKER, ROCKFORD FOSGATE PUNCH M2 6.5" WHT Used with PREMIER AUDIO UPGRADE OPTION
	1457985	VENT, LOUVERED CHR W/SEA RAY LOGO (FACEPLATE) Used with ALL SPORT PKG. PREMIER AUDIO UPGRADE OPTION
5	1259977	PLATE, FEMALE 12V RECEPTACLE MNT
	1287283	RECEPTACLE, FEMALE 12V LONG THRD BLK
6	2147394	HOLDER, DRINK PLAS W/SS BEZEL
	1812917	HOLDER, DRINK SS 4"X 3"MUG SZ PLSHD RIM Used with STAINLESS STEEL COMPONENT UPGRADE OPTION
	2112409	HOLDER, SS DRINK DUAL STACK BLUE LED Used with SELECT PACKAGE OPTIONS
	2065185	LIGHT, LED RAIL BLUE (Part of 2112409)
7	2152454	FBRGLS PART, 19SPX-15 ENG HATCH OPT N/HDWR (Does Not Include Cushion) Used with ALLSPORT PACKAGE OPTION (Please Provide HIN When Placing Order or Inquiries)
	964817	HINGE, SS 4"X 4" TOP MOUNT (Sunpad Cushion Hinge) (Engine Hatch Hinge Used with ALLSPORT PACKAGE OPTION
	1365550	LATCH, FLUSH T-HNDL N/LOCK W/OFF-SET CAM BLK (Engine Hatch Latches) Used with ALLSPORT PACKAGE OPTION
	1499151	PLATE, STRIKER XL "L" SHAPED 316 SS (Engine Hatch Latches Striker Plate) Used with ALLSPORT PACKAGE OPTION
	1781446	LATCH, COMPRESSION 2.5"N/LOCKING SS (Engine Hatch Latch Only-Does Not Include Plate and Pawl Catch) Used with ALLSPORT PKG STAINLESS STEEL COMPONENT UPGRADE OPTION
	1781448	PLATE, SHALLOW BRKT 2.5"W/HDWR PKG SS (Engine Hatch Latch Plate Only-Does Not Include Latch and Pawl Catch) Used with ALLSPORT PKG STAINLESS STEEL COMPONENT UPGRADE OPTION
	1940579	CATCH, PAWL 3.25"OFFSET MEDIUM SS (Engine Hatch Latch Pawl Only - Does Not Include Latch and Plate) Used with ALLSPORT PKG STAINLESS STEEL COMPONENT UPGRADE OPTION
	864983	BRACKET, SS GAS CYL 90DEG 2.062" REVERSED (Sunpad Upper Cylinder Bracket Attached to Sunpad Cushion)
	634600	CYLINDER, GAS 60PSI 20"EXT X 12"COMP (Engine Hatch Lift Cylinders) Used with ALLSPORT PACKAGE OPTION
	634592	BRACKET, SS GAS CYL FLAT W/BALL STUD (Sunpad Lower Cylinder Bracket Attached to Deck)
	817676	BRACKET, SS LIFT CYL 90DEG 0.70" W/STUD RT (Engine Hatch Lower Cylinder Bracket Attached to Deck) Used with ALLSPORT PACKAGE OPTION
	1969643	BASE, ZINC PLATED 7"X 7"PEDESTAL (Engine Hatch Base for Fishing Chair) Used with ALLSPORT PACKAGE OPTION
	1810027	PEDESTAL, ALUM EXTENSION BENT 13" (Engine Hatch Pedestal for Fishing Chair) Used with ALLSPORT PACKAGE OPTION
8	2168549	19SPX/SPXO,PNL,ENG ACCESS (In-House Mfg Part-Please Provide HIN When Placing Order or Inquiry)
	2022234	ACCESS PLATE, FIRE PRT WHT W/ARCW PLAS INSERT

		("FIRE-PORT" in Red Lettering is stamped on the plastic outer ring)
	2040555	LABEL, WARNING PYHY FIRE EXT PORT POLY/VINYL
		(Located Near Round Fire Port - "Warning In Case of Fire Do Not Open...")
9	2168552	19SPX/SPXO,HATCH,AFT WLK WY FBRGLS W/HDWR
		(In-House Mfg Part-Please Provide HIN When Placing Order or Inquiry)
	2152453	FBRGLS PART, 19SPX-15 AFT WLK WY HATCH N/HDWR
		(In-House Mfg Part-Please Provide HIN When Placing Order or Inquiry)
	2165713	HINGE, SS CONT 2"X 23"PLSHD LARSEN & SHAW
	1875492	TRIM-SEAL, #X202BT 1/2"X 1/2" SELF-ADH BLK
	2028927	LABEL, CHECK BATT CELL FLUID LEVEL
		(Located on Underside of Hatch Lid)
	2085929	COOLER, MARINE ULTRA 25QT
	2216813	FLOORING, SPGTI MAT 1/4"X 4'X 40'BLK
		(Bulk Material Used in Mfg for Piece Cut Flooring in Storage Areas)
10	1365550	LATCH, FLUSH T-HNDL N/LOCK W/OFF-SET CAM BLK
	1781446	LATCH, COMPRESSION 2.5"N/LOCKING SS
		(Latch Only-Does Not Include Plate and Pawl Catch) Used with STAINLESS STEEL COMPONENT UPGRADE OPTION Used with SELECT PACKAGE OPTIONS
	1798197	PLATE, DEEP BRKT 2.5"W/HDWR PKG SS
		(Plate Only-Does Not Include Latch and Pawl Catch) Used with STAINLESS STEEL COMPONENT UPGRADE OPTION Used with SELECT PACKAGE OPTIONS
	1781463	CATCH, PAWL 2.5"OFFSET MEDIUM SS
		(Catch Pawl Only-Does Not Include Latch and Plate) Used with STAINLESS STEEL COMPONENT UPGRADE OPTION Used with SELECT PACKAGE OPTIONS
11	1006162	CYLINDER, GAS 20PSI 15"EXT X 9.5"COMP
12	817676	BRACKET, SS LIFT CYL 90DEG 0.70" W/STUD RT
13	634592	BRACKET, SS GAS CYL FLAT W/BALL STUD
14	2168553	19SPX 15,HATCH,SKI FBRGLS N/HDWR
		(In-House Mfg Part-Please Provide HIN When Placing Order or Inquiry)
	156224	PLUG, DRAIN PLUG SNAPTITE 7/8"
	418632	LANYARD, W/TAB/RING
	2214973	19SPX/SPXO/21SPX/SPXO,FLOORING,P/C SKI LCKR
		(In-House Mfg Part-Please Provide HIN When Placing Order or Inquiry)
	2216813	FLOORING, SPGTI MAT 1/4"X 4'X 40'BLK
		(Bulk Material Used in Mfg for Piece Cut Flooring in Storage Areas)
15	2065587	HINGE, SS CONT 2"X 42" SATIN LARSEN & SHAW
16	775858	CYLINDER, GAS 60PSI 15"EXT X 9.5"COMP
17	2147569	DOOR, HDPE 1/2"GLVBX W/KYLCK KNB/HNG BLK
	1843752	LOCK, RADIO/GLOVEBOX BUTTON KEYED 93-303
		(Part of Door Assembly)
	2122634	HINGE, SS 1 1/16"X 15" PIANO
		(Part of Door Assembly)
	2213464	KEY, GLOVEBOX BUTTON
	2206185	DOOR, HDPE 1/2"GLVBX PROTOGE/CREAM SELECT
		Used with SELECT PACKAGE - SAHARA OPTION
	1843752	LOCK, RADIO/GLOVEBOX BUTTON KEYED 93-303
	2122634	HINGE, SS 1 1/16"X 15" PIANO
	2213464	KEY, GLOVEBOX BUTTON
	2196317	DOOR, HDPE 1/2"GLVBX PROTOGE/EMP TAN SELECT

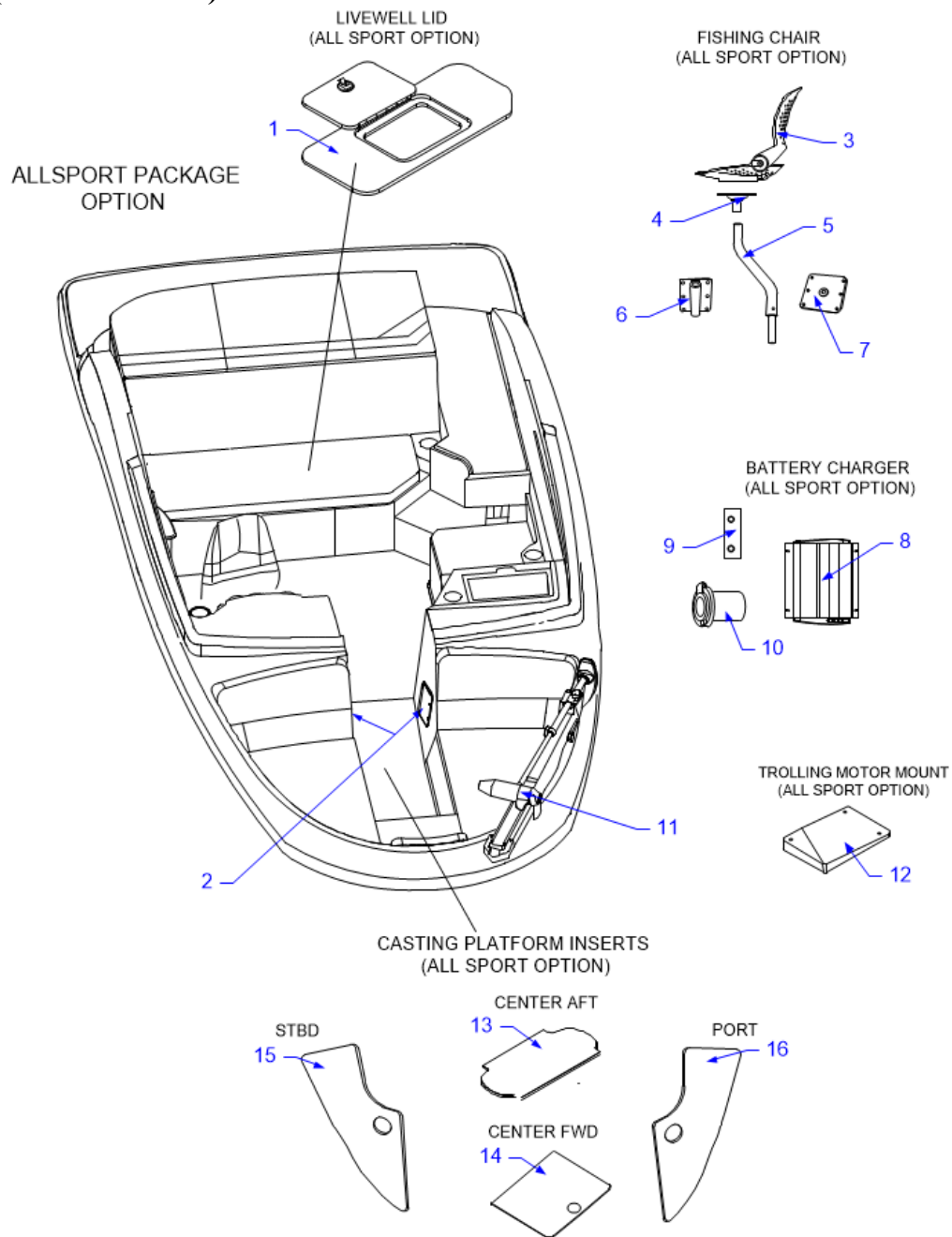
		Used with SELECT PACKAGE - COGNAC OPTION
	1843752	LOCK, RADIO/GLOVEBOX BUTTON KEYED 93-303
	2122634	HINGE, SS 1 1/16"X 15" PIANO
	2213464	KEY, GLOVEBOX BUTTON
	2192811	PANEL, 19/21SPX-15 PRT CONSOLE UPGRADE
		Used with SELECT PACKAGE OPTIONS
18	1759067	COVER, HDPE ACCESS 6"X 12"X 1/4" W1/2"RD
19	2153274	SUPPORT, ALUM 19SPX-15 PRT LNDR BCKRST
	2162233	MOUNT, HDPE 19/21SPX-15 BKRST WALL
	2155224	PLATE, 19/21SPX-15 BCKRST WALL MNT SS
20	513895	ACCESS PLATE, PAINTED PLAS 5" WHT
21	1804281	DOOR, STB 17" X 25" W/SS SOUTHCO
	1801626	SEAL, BLACK INSERT
		(Part of 1804281)
	1781434	LATCH, FLUSH MNT N/LOCKING SLAM SS
	1942592	HINGE, SS 1 1/16"X 19" PIANO
	2122642	TRIM, DOOR CATCH BLK (#2384)
	1781436	PLATE, FLAT BRKT 2"SHORT SCREW W/HDWR PKG
22	2123112	LATCH, SNAP-IN NYL 1.5"DIA 20LB
		(Black 2-Piece Latch - Must Buy Complete Latch - Pieces Not Sold Individual)
23	2206181	SHROUD, DASH 19/21SPX-15 UPGR PROTOGE/CREAM
		Used with SELECT PACKAGE - SAHARA OPTION
	2192810	SHROUD, DASH 19/21SPX-15 UPGR PROTOGE/EMP TAN
		Used with SELECT PACKAGE - COGNAC OPTION
24	2187825	SPEAKER, ROCKFORD FOSGATE 10"SUBWOOFER PM210S4
		Used with PREMIER AUDIO UPGRADE OPTION
	2120986	STEREO, AMP ROCKFORD FOSGATE 300W/4 R300X42120986
		Used with PREMIER AUDIO UPGRADE OPTION
25	2210867	MIRROR, REAR VIEW 6"X 14"COMBO COMPOSITE
		Used with SKI MIRROR OPTION Used with ELEVATION PACKAGE OPTION

INDIRECT LIGHTING

	2119899	LIGHT, LED DIFFUSED TAPE BLUE 44"
		Used with SELECT PACKAGE OPTIONS
	2119905	LIGHT, LED DIFFUSED MNT TRACK WHT 6' W/O ADH
		Used with SELECT PACKAGE OPTIONS
	2150089	HARNES, 19/21SDX-15 INDIRECT LED LIGHTING
		Used with SELECT PACKAGE OPTIONS
	2157852	LIGHT, LED DIFFUSED TAPE BLUE 10"
		Used with SELECT PACKAGE OPTIONS

NOT SHOWN

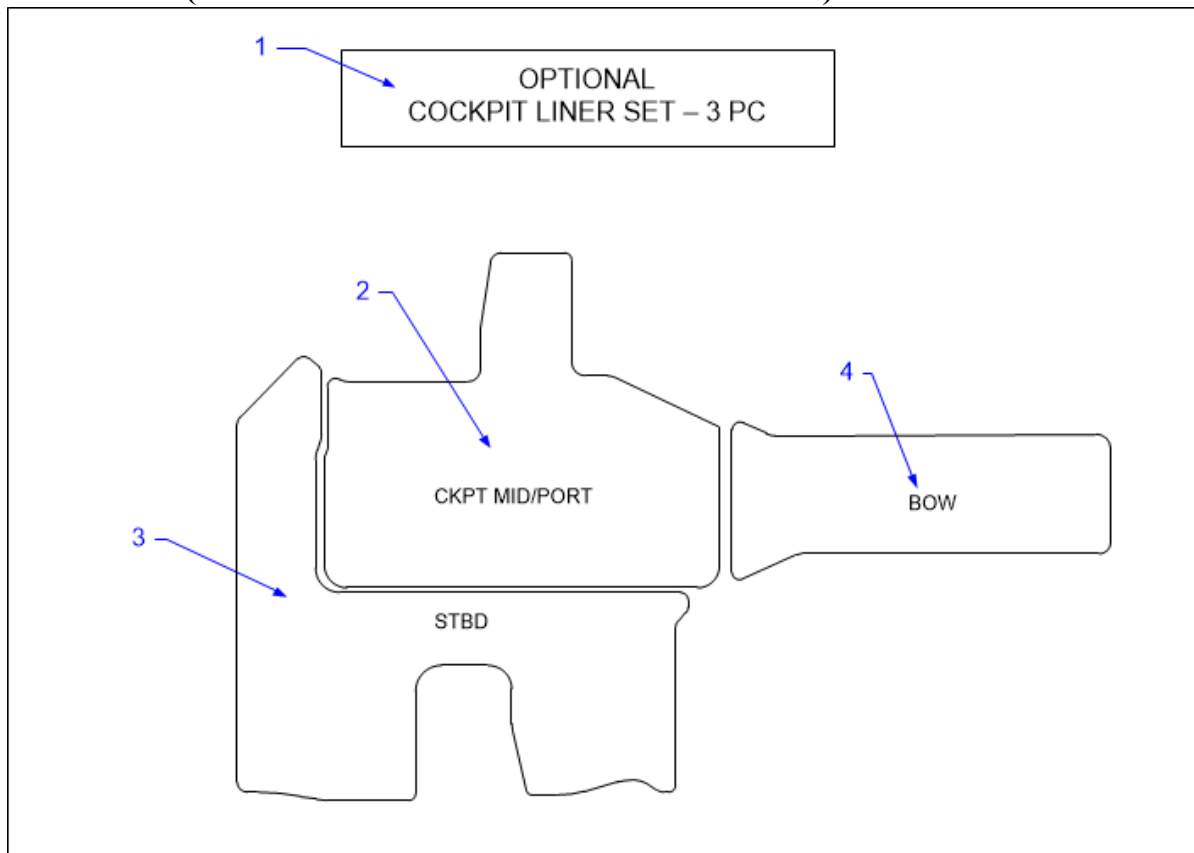
	2187059	STEREO, ROCKFORD FOSGATE REMOTE W/DSPL PMX-1R
		Used with TRANSOM STEREO REMOTE OPTION
	2187068	CABLE, ROCKFORD FOSGATE REMOTE EXT 25'PMX25C
		Used with TRANSOM STEREO REMOTE OPTION

COCKPIT (CONTINUED)**COCKPIT (CONTINUED)**

1	2152121	LID, HDPE 19/21SPX-15 LIVEWELL ARCW Used with ALLSPORT PACKAGE OPTION
	2122635	HINGE, SS 1 1/16"X 10" PIANO
	1506492	LATCH, FLUSH MOUNT PULL WHT
2	2151768	HATCH, ACCESS 13"X 17"N/LOCKING POLAR WHT Used with ALLSPORT PACKAGE (1 located on Stbd Console - 1 Located on Port Console for Trolling Motor Battery Access)
3	2147566	SHELL, VENTURE FLDNG FISHING SEAT (NOTE: CHAIR SHELL ONLY - Does not Include Hardware or Chair Pads) Used with ALLSPORT PACKAGE OPTION
	2186812	CANVAS, ALL SPRT PKG SEAT STRAP Used with ALLSPORT PACKAGE OPTION

4	1820563	MOUNT, SEAT Used with ALLSPORT PACKAGE OPTION (Used with Venture Folding Fishing Seat)
5	1810027	PEDESTAL, ALUM EXTENSION BENT 13" Used with ALLSPORT PACKAGE OPTION(Used with Base Plate on Center Forward Bow Seat Base)
6	1947982	BASE PLATE, BW-09 VERTICAL FISH PED MOUNT Used with ALLSPORT PACKAGE OPTION (Located on Center Forward Bow Seat Base)
7	1969643	BASE, ZINC PLATED 7"X 7"PEDESTAL Used with ALLSPORT PACKAGE OPTION (Located on Engine Hatch)
8	2137488	CHARGER, BATT 12A 120VAC 2-BANK PRO SPRT G3 Used with ALLSPORT PACKAGE OPTION
	2214253	CHARGER, PROSPORT 12A 2 BANK Used with ALLSPORT PACKAGE C E OPTION
9	829432	BUSS BAR, DBL POST 5/16" Used with ALLSPORT PACKAGE OPTION
10	1835713	HOLDER, BATT CHARGER PLUG Used with ALLSPORT PACKAGE OPTION
	1854724	BATTERY TRAY, LRG SGL SERIES 31 (Batttery Trays for Trolling Motor Batteries) Used with ALLSPORT PACKAGE OPTION
11	1848215	TROLLING MOTOR, WR75 WIRELESS REMOTE 60" Used with ALLSPORT PACKAGE OPTION
	2150088	HARNES, 19/21SPX-15 CABLE KIT TROLL MTR 24V Used with ALLSPORT PACKAGE OPTION
	1949282	PLUG KIT, TROLLING MTR 12/24V COMBO Used with ALLSPORT PACKAGE OPTION
12	2152169	MOUNT, HDPE 19SPX-15 TRLNG MTR Used with ALLSPORT PACKAGE OPTION
13	2152109	INSERT, HDPE 19SPX-15 FSH PKG BOW CTR AFT FLR Used with ALLSPORT PACKAGE OPTION
14	2152115	INSERT, HDPE 19SPX-15 FSH PKG BOW CTR FWD FLR Used with ALLSPORT PACKAGE OPTION
15	2152107	INSERT, HDPE 19SPX-15 FISH PKG STB BOW FILR Used with ALLSPORT PACKAGE OPTION
16	2152103	INSERT, HDPE 19SPX-15 FISH PKG PRT BOW FILR Used with ALLSPORT PACKAGE OPTION

COCKPIT (SNAP-IN CARPET LINER OPTIONAL)



COCKPIT (SNAP-IN CARPET LINER OPTIONAL)

1	2184045	19SPX/SPXO,CARPET,SNPN CKPT CMPLT Used with FLOORING - SNAP IN CARPET OPTION PLEASE PROVIDE HIN (USED BY BOTH SERV AND SERX BOAT HIN)
	2223425	19SPX/SPXO,CARPET,SNPN CKPT CMPLT INF OPT Used with COCKPIT FLOORING UPGRADE INFINITY OPTIONS - SAHARA OR COGNAC OPTIONS PLEASE PROVIDE HIN (USED BY BOTH SERV AND SERX BOAT HIN)
2	2184044	19SPX/SPXO,CARPET,SNPN CKPT PRT ONLY (Part Of 2184045)
	2223428	19SPX/SPXO,CARPET,SNPN CKPT PRT ONLY INF OPT (Part of 2223425)
3	2184043	19SPX/SPXO,CARPET,SNPN CKPT STB ONLY (Part Of 2184045)
	2223427	19SPX/SPXO,CARPET,SNPN CKPT STB ONLY INF OPT (Part of 2223425)
4	2184042	19SPX/SPXO,CARPET,SNPN BOW (Part Of 2184045)
	2223426	19SPX/SPXO,CARPET,SNPN BOW INF OPT (Part of 2223425)

5 2195245 19SPX/SPXO,CARPET,AFT SEAT STB STRG
(Standard - Not Part of Carpet Liner Option)

CARPET

2063820 CARPET, EXT 28OZ GUNMETAL E078-#9832 AT 7'6"
(Carpet Liner Bulk Carpet) Used with FLOORING - SNAP IN CARPET OPTION

2196503 CARPET, EXT 28OZ CNTRY BEI E078-#9798 AT 7'6"
Used with SAHARA-SELECT PKG FLOORING - SNAP IN CARPET OPTION|Used with
COGNAC-SELECT PKG FLOORING - SNAP IN CARPET OPTION

2199291 CARPET, INFNTY/AVD 1412/3 W/HD BCKNG 7'6"W
Used with COCKPIT FLOORING UPGRADE (INF. WVN)- BASE OPTION

2199290 CARPET, INFNTY/AVD 1412/2 W/HD BCKNG 7'6"W
Used with COCKPIT FLOORING (INFINITY WOVEN) - SAHARA OPTION|Used with
COCKPIT FLOORING (INFINITY WOVEN) - COGNAC OPTION

2016095 CARPET, EXT 28OZ GUNMETAL #9832 AT 7'6"
(Used for Standard Stbd Aft Bench Seat Storage Snap In Carpet)

1894637 CARPET, EXT 24 OZ GUNMETAL BT 7.5'
(Used for Standard Pkg Storage/Bulkheads/Hull Liner)

2121944 CARPET, EXT 24OZ CNTRY BEIGE 9798 GT 7.5'
Used with SELECT PACKAGE OPTIONS (Storage/Bulkheads/Hull Liner)

UPHOLSTERY MATERIALS

2043728 SNAP, BUTTON SS
Used with FLOORING - SNAP IN CARPET OPTION

2082138 SNAP, SOCKET SS
Used with FLOORING - SNAP IN CARPET OPTION

154377 SNAP STUD, W/#8 X 5/8" PH SS(FOR CARPET)
Used with FLOORING - SNAP IN CARPET OPTION

1790664 SNAP REINFORCEMENT, PLAS BACKER 500 PC/ROLL
Used with FLOORING - SNAP IN CARPET OPTION

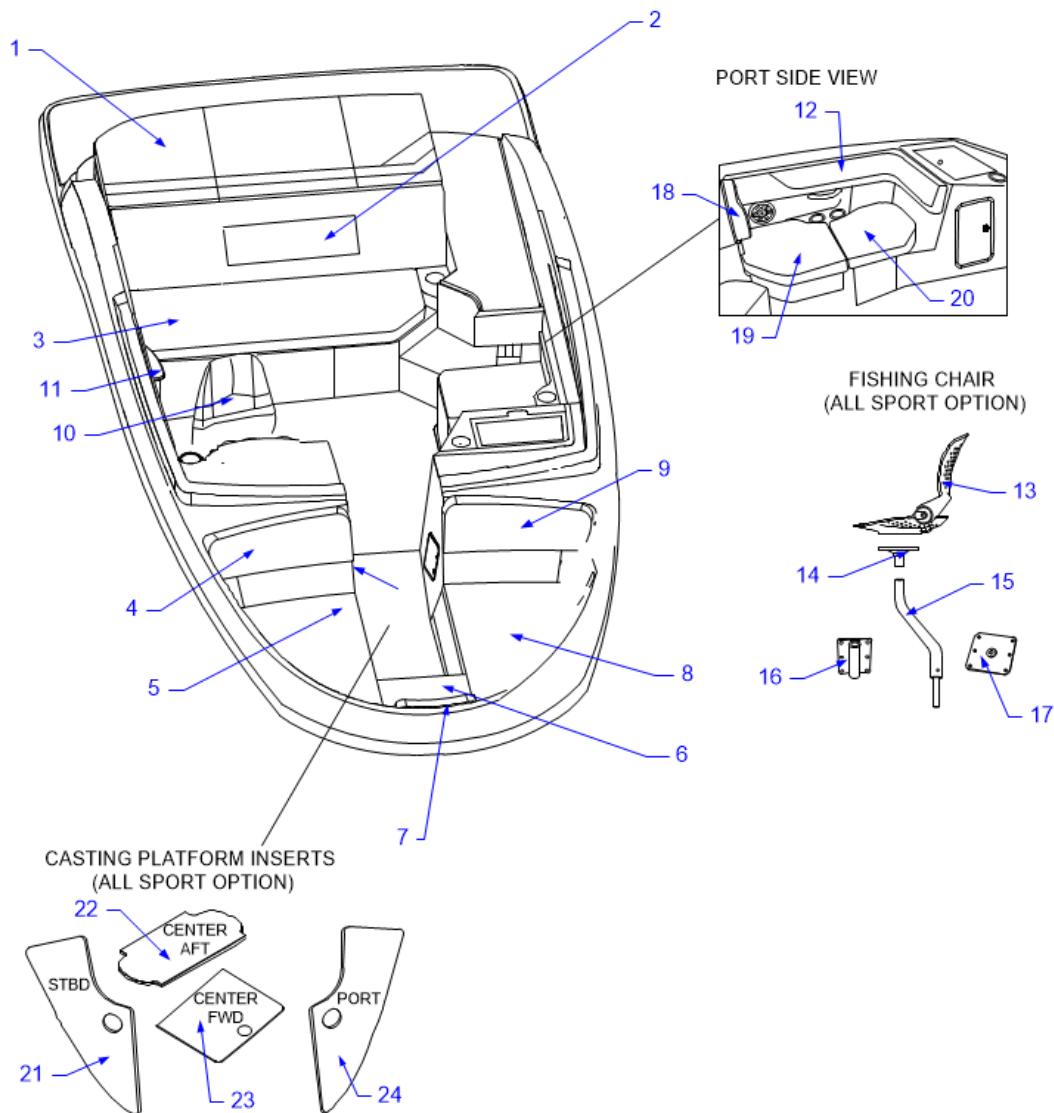
BINDING

2023566 BINDING, CANVAS 1"CHAR GRY SNBRLA BIAS
Used with FLOORING - SNAP IN CARPET OPTION

2109411 BINDING, CANVAS 1" TRESKO/BIRCH SUNBRLA BIAS
Used with SAHARA-SELECT PKG FLOORING - SNAP IN CARPET OPTION|Used with
COGNAC-SELECT PKG FLOORING - SNAP IN CARPET OPTION

2199293 BINDING, CARPET TAPE #615 STRAIGHT 1.25"
Used with COCKPIT FLOORING UPGRADE (INF. WVN)- BASE OPTION

2199292 BINDING, CARPET TAPE #427 STRAIGHT 1.25"
Used with COCKPIT FLOORING (INFINITY WOVEN) - SAHARA OPTION|Used with
COCKPIT FLOORING (INFINITY WOVEN) - COGNAC OPTION

COCKPIT UPHOLSTERY (ALL SPORT PKG)ALLSPORT PACKAGE
OPTION**COCKPIT UPHOLSTERY (ALL SPORT PKG)**

1	2201132	19SPX/SPXO,CUSH,SNPD ALLSPRT Used with ALLSPORT PACKAGE OPTION (NOTE:Sunpad is 1-Piece Assembly of 2 Cushions with Fabric Hinge)
	2201133	19SPX/SPXO,CUSH SKN,SNPD ALLSPRT Used with ALLSPORT PACKAGE OPTION (Skin is 1-Piece Assembly of 2 Skins with Fabric Hinge)
	2170205	19SPX/SPXO,HATCH,ENG ALLSPORT OPT W/HW FBRGLS (Does Not Include Cushion) Used with ALLSPORT PACKAGE OPTION (Please Provide HIN When Placing Order or Inquiries)
	2152454	FBRGLS PART, 19SPX-15 ENG HATCH OPT N/HDWR (Does Not Include Cushion) Used with ALLSPORT PACKAGE OPTION (Please Provide HIN When Placing Order or Inquiries)
	964817	HINGE, SS 4"X 4" TOP MOUNT (Engine Hatch Hinges) Used with ALLSPORT PACKAGE OPTION
	1365550	LATCH, FLUSH T-HNDL N/LOCK W/OFF-SET CAM BLK (Engine Hatch Latches) Used with ALLSPORT PACKAGE OPTION

1499151	PLATE, STRIKER XL "L" SHAPED 316 SS (Engine Hatch Latches Striker Plate) Used with ALLSPORT PACKAGE OPTION
1781446	LATCH, COMPRESSION 2.5"N/LOCKING SS (Engine Hatch Latch Only-Does Not Include Plate and Pawl Catch) Used with ALLSPORT PKG STAINLESS STEEL COMPONENT UPGRADE OPTION
1781448	PLATE, SHALLOW BRKT 2.5"W/HDWR PKG SS (Engine Hatch Latch Plate Only-Does Not Include Latch and Pawl Catch) Used with ALLSPORT PKG STAINLESS STEEL COMPONENT UPGRADE OPTION
1940579	CATCH, PAWL 3.25"OFFSET MEDIUM SS (Engine Hatch Latch Pawl Only - Does Not Include Latch and Plate) Used with ALLSPORT PKG STAINLESS STEEL COMPONENT UPGRADE OPTION
817676	BRACKET, SS LIFT CYL 90DEG 0.70" W/STUD RT (Engine Hatch Top Bracket) Used with ALLSPORT PACKAGE OPTION
634600	CYLINDER, GAS 60PSI 20"EXT X 12"COMP (Engine Hatch Lift Cylinders) Used with ALLSPORT PACKAGE OPTION
2 2168549	19SPX/SPXO,PNL,ENG ACCESS (Please Provide HIN When Placing Order or Inquiry)
3 2166618	19SPX/SPXO,CUSH,CKPT AFT BNCH ALLSPORT OPT Used with ALLSPORT PACKAGE OPTION (In-House Mfg Part-Please Provide HIN When Placing Order or Inquiry)
2166616	19SPX/SPXO,CUSH SKN,CKPT AFT BNCH ALLSPORT Used with ALLSPORT PACKAGE OPTION (In-House Mfg Part-Please Provide HIN When Placing Order or Inquiry)
2253079	HINGE, SS CONT 2"X 36"X .060"PLSHD
4 2229102	19SPX/SPXO,B/R,BOW STB AFT WRPARND (NOTE:PART IS NOT AS SHOWN-New Wrap Around Style for 2016-Not Available for 2015 Model) (Please Provide HIN When Placing Order or Inquiry)
2229112	19SPX/SPXO.B/R SKN,BOW STB AFT WRPRND (NOTE:PART IS NOT AS SHOWN-New Wrap Around Style for 2016-Not Available for 2015 Model) (Please Provide HIN When Placing Order or Inquiry)
5 2170217	19SPX/SPXO,CUSH,BOW STBD ALLSPORT OPT Used with ALLSPORT PACKAGE OPTION (Please Provide HIN When Placing Order or Inquiry)
2170218	19SPX/SPXO,CUSH SKN,BOW STBD ALLSPORT OPT Used with ALLSPORT PACKAGE OPTION (Please Provide HIN When Placing Order or Inquiry)
6 2170215	19SPX/SPXO,CUSH,BOW FWD ALLSPORT OPT Used with ALLSPORT PACKAGE OPTION (Please Provide HIN When Placing Order or Inquiry)
2170216	19SPX/SPXO,CUSH SKN,BOW FWD ALLSPORT OPT Used with ALLSPORT PACKAGE OPTION (Please Provide HIN When Placing Order or Inquiry)
7 2229103	19SPX/SPXO,B/R,BOW FWD CTR WRPARND (NOTE:PART IS NOT AS SHOWN-New Wrap Around Style for 2016-Not Available for 2015 Model) (Please Provide HIN When Placing Order or Inquiry)
2229110	19SPX/SPXO,B/R SKN,BOW FWD CTR WRPARND (NOTE:PART IS NOT AS SHOWN-New Wrap Around Style for 2016-Not Available for 2015 Model) (Please Provide HIN When Placing Order or Inquiry)
8 2170213	19SPX/SPXO,CUSH,BOW PRT ALLSPORT OPT Used with ALLSPORT PACKAGE OPTION (Please Provide HIN When Placing Order or Inquiry)
2170214	19SPX/SPXO,CUSH SKN,BOW PRT ALLSPORT OPT Used with ALLSPORT PACKAGE OPTION (Please Provide HIN When Placing Order or Inquiry)
9 2229101	19SPX/SPXO,B/R,BOW PRT AFT WRPARND (NOTE:PART IS NOT AS SHOWN-New Wrap Around Style for 2016-Not Available for 2015 Model) (Please Provide HIN When Placing Order or Inquiry)
2229109	19PSX/SPXO,B/R SKN,BOW PRT AFT WRPRND (NOTE:PART IS NOT AS SHOWN-New Wrap Around Style for 2016-Not Available for 2015

		Model) (Please Provide HIN When Placing Order or Inquiry)
10	2202473	H/S, 19/21-16 AERGO MYSTC/WHT/CLOUD/BLK-TS (Standard) - Used with STANDARD UPHOLSTERY WHITE / CHARCOAL (SKINS NOT AVAILABLE PER SUPPLIER-MUST ORDER COMPLETE SEAT)
	2249142	H/S, 19/21-17 AERGO PROTEGE/TAN/PRL/PRL-TS Used with STANDARD UPHOLSTERY WHITE / TAN OPTION Used with ALL SPORT OPTION WHITE/TAN OPTION
	2202479	H/S, 19/21-16 AERGO PROTEGE/CRM/BLK/BLK-TS Used with SELECT PACKAGE - COGNAC OPTION (SKINS NOT AVAILABLE PER SUPPLIER-MUST ORDER COMPLETE SEAT)
	2202484	H/S, 19/21-16 AERGO PROTEGE/WHT/BLK/BLK-TS Used with SELECT PACKAGE - SAHARA OPTION (SKINS NOT AVAILABLE PER SUPPLIER-MUST ORDER COMPLETE SEAT)
	2163077	SLIDE ASSY, SEAT SLIDE/SWVL LCKNG LO-PRO LH
	1027135	KNOB, LOCKING 3/8-16 X 5" SS (PART OF SLIDE ASSY)
11	2168542	19SPX/SPXO,ARMRST,STB SD PNL PAD ONLY (Upholstered Pad Only) (Please Provide HIN When Placing Order or Inquiry)
	2168539	19SPX/SPXO,PNL,CKPT STBD SIDE (Please Provide HIN When Placing Order or Inquiry)
12	2170219	19SPX/SPXO,B/R,PRT CKPT SIDE PNL (Please Provide HIN When Placing Order or Inquiry)
	2170220	19SPX/SPXO,B/R SKN,PRT CKPT SIDE PNL (Please Provide HIN When Placing Order or Inquiry)
13	2147566	SHELL, VENTURE FLDNG FISHING SEAT (NOTE: CHAIR SHELL ONLY - Does not Include Hardware or Chair Pads) Used with ALLSPORT PACKAGE OPTION
	2186812	CANVAS, ALL SPRT PKG SEAT STRAP Used with ALLSPORT PACKAGE OPTION
	2195247	19SPX/21SPX,CUSH,FISH CHAIR PAD BACK CVR (Back Slip on Pad) (Please Provide HIN When Placing Order or Inquiry)
	2195246	19SPX/21SPX,CUSH,FISH CHAIR PAD BTM CVR (Bottom Slip on Pad) (Please Provide HIN When Placing Order or Inquiry)
14	1820563	MOUNT, SEAT Used with ALLSPORT PACKAGE OPTION (Used with Venture Folding Fishing Seat)
15	1810027	PEDESTAL, ALUM EXTENSION BENT 13" Used with ALLSPORT PACKAGE OPTION(Used with Base Plate on Center Forward Bow Seat Base)
16	1947982	BASE PLATE, BW-09 VERTICAL FISH PED MOUNT Used with ALLSPORT PACKAGE OPTION (Located on Center Forward Bow Seat Base)
17	1969643	BASE, ZINC PLATED 7"X 7"PEDESTAL Used with ALLSPORT PACKAGE OPTION (Located on Engine Hatch)
18	2229105	19SPX/SPXO,B/R,CKPT PRT AFT RVMBL (R16) (New Style for 2016-Not Available for 2015 Model) (Please Provide HIN When Placing Order or Inquiry)
	2229113	19SPX/SPXO,B/R SKN,CKPT PRT AFT RVMBL (R16) (New Style for 2016-Not Available for 2015 Model) (Please Provide HIN When Placing Order or Inquiry)
	2153274	SUPPORT, ALUM 19SPX-15 PRT LNDR BCKRST
	2162233	MOUNT, HDPE 19/21SPX-15 BKRST WALL
	2155224	PLATE, 19/21SPX-15 BCKRST WALL MNT SS
19	2170221	19SPX/SPXO,CUSH,CKPT PRT SIDE AFT

	2170222	(Please Provide HIN When Placing Order or Inquiry) 19SPX/SPXO,CUSH SKN,CKPT PRT SIDE AFT
20	2170223	(Please Provide HIN When Placing Order or Inquiry) 19SPX/SPXO,CUSH,CKPT PRT SIDE FWD (LWR)
	2170224	(Please Provide HIN When Placing Order or Inquiry) 19SPX/SPXO,CUSH SKN,CKPT PRT SIDE FWD (LWR)
21	2152107	(Please Provide HIN When Placing Order or Inquiry) INSERT, HDPE 19SPX-15 FISH PKG STB BOW FILR Used with ALLSPORT PACKAGE OPTION
22	2152109	INSERT, HDPE 19SPX-15 FSH PKG BOW CTR AFT FLR Used with ALLSPORT PACKAGE OPTION
23	2152115	INSERT, HDPE 19SPX-15 FSH PKG BOW CTR FWD FLR Used with ALLSPORT PACKAGE OPTION
24	2152103	INSERT, HDPE 19SPX-15 FISH PKG PRT BOW FILR Used with ALLSPORT PACKAGE OPTION

FOAM

	2211134	FOAM, P/C 19SPX-16 AFT BNCHST Used with ALLSPORT PACKAGE OPTION
	2211135	FOAM, P/C 19SPX-16 BOW CUSH ALL SPORTS KIT Used with ALLSPORT PACKAGE OPTION
	2199094	FOAM, P/C19SPX-15 SNPD ALLSPORTS 2PC Used with ALLSPORT PACKAGE OPTION
	2202759	FOAM, P/C 19SPX-15 CKPT PRT SIDE B/R
	2222545	FOAM, P/C FISHING SEAT CUSH/B/R ALLSPORT PACKAGE

VINYLS

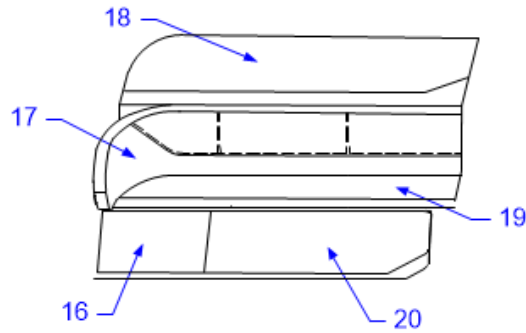
	2193501	VINYL, ALLOY/WHT FLAT
	2071915	VINYL, EDGE/BLK FLAT
	2077037	VINYL, UNDERLINING BLK FLAT

UPHOLSTERY MATERIALS

	2022383	TRIM, PLAS BTM EDGE 7/8"W/ADHES BACKING ARCW ALLSPORT PACKAGE
	2187594	BLOCK, CUSH HLDWN 1.75"X 2"X .5"ARCW
	1756151	BRACKET, BLSTR CKPT ANGLED 3/4" STND-OFF SS
	2186705	CLEAT, PLAS 3/4"X 1.5"X 4"BLK
	154369	SNAP STUD, #8 X 3/8" PH BR/NI/SS
	2043728	SNAP, BUTTON SS
	2082138	SNAP, SOCKET SS
	1275726	VELCRO, HOOK BLK 2" ADH Used with ALLSPORT PACKAGE OPTION
	1781434	LATCH, FLUSH MNT N/LOCKING SLAM SS Used with ALLSPORT PACKAGE OPTION

COCKPIT UPHOLSTERY (SELECT PKG)

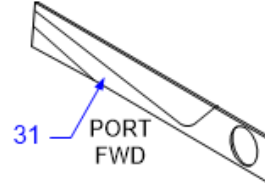
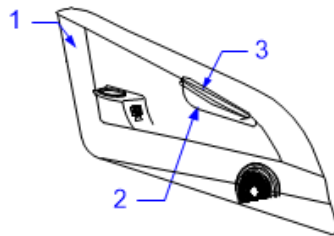
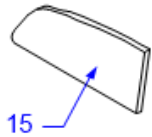
SELECT PACKAGE
AFT SUNPAD / COCKPIT BENCH VIEW



SELECT PACKAGE
STBD SIDE PANEL VIEW

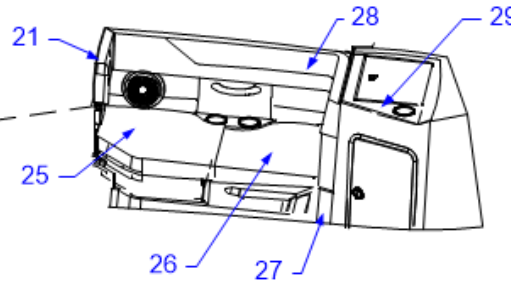
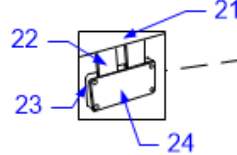
SELECT PACKAGE
PORT SIDE PANELS VIEW

SELECT PKG
STBD SIDE
HELM PANEL



SELECT PKG PORT VIEW

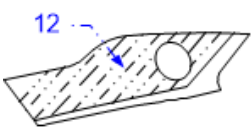
PORT REMOVABLE
B/R MOUNT



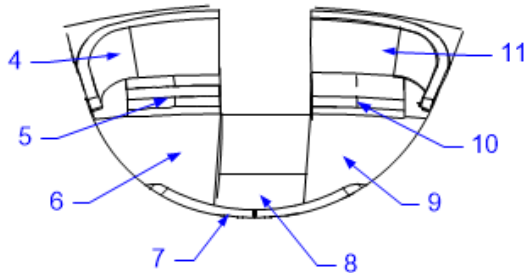
STBD HELM
BUCKET SEAT



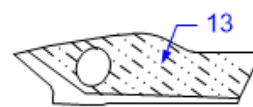
SELECT PKG
STBD BOW SIDE PANEL



SELECT PKG
BOW VIEW



SELECT PKG
PORT BOW SIDE PANEL



COCKPIT UPHOLSTERY (SELECT PKG)

1	2222082	19SPX/SPXO,PNL,CKPT STB SIDE SELECT (Sold as One Piece Assembly Unit Only) (In-House Mfg Part-Please Provide HIN When Placing Order or Inquiry)
2	2152455	FBRGLS PART, 19SPX-15 ARMREST (Fiberglass Part Only - No Upholstery) (In-House Mfg Part-Please Provide HIN When Placing Order or Inquiry)

3	2168542	19SPX/SPXO,ARMRST,STB SD PNL PAD ONLY (Upholstered Pad Only) (In-House Mfg Part-Please Provide HIN When Placing Order or Inquiry)
4	2170114	19SPX/SPXO,B/R,BOW AFT UPR STB SELECT (In-House Mfg Part - Please provide HIN when placing order)
	2170115	19SPX/SPXO,B/R SKN,BOW AFT UPR STB SELECT (In-House Mfg Part - Please provide HIN when placing order)
	1756151	BRACKET, BLSTR CKPT ANGLED 3/4" STND-OFF SS (Attached to B/R Upholstery)
	1798770	BRACKET, H/S 3/4"X2.25"X1/2"OFF-SET SS (Attached to Deck)
5	2170111	19SPX/SPXO,B/R,BOW AFT LWR STB SELECT
	2170112	19SPX/SPXO,B/R SKN,BOW AFT LWR STB SELECT
	1617281	BRACKET, BLSTR CKPT ANGLED 1/4" STND-OFF SS (Attached to B/R Upholstery)
	1756151	BRACKET, BLSTR CKPT ANGLED 3/4" STND-OFF SS (Attached to B/R Upholstery)
6	2222072	19SPX/SPXO,CUSH,BOW STB SELECT (In-House Mfg Part - Please provide HIN when placing order)
	2222073	19SPX/SPXO,CUSH SKN,BOW STB SELECT (In-House Mfg Part - Please provide HIN when placing order)
7	2170109	19SPX/SPXO,B/R,BOW FWD CTR SELECT (In-House Mfg Part - Please provide HIN when placing order)
	2183775	19SPX/SPXO,B/R SKN,BOW FWD CTR SELECT (In-House Mfg Part - Please provide HIN when placing order)
	1617281	BRACKET, BLSTR CKPT ANGLED 1/4" STND-OFF SS (Attached to B/R Upholstery)
	1798770	BRACKET, H/S 3/4"X2.25"X1/2"OFF-SET SS (Attached to Deck)
8	2222074	19SPX/SPXO,CUSH,BOW CTR FWD SELECT (In-House Mfg Part - Please provide HIN when placing order)
	2222075	19SPX/SPXO,CUSH SKN,BOW CTR FWD SELECT (In-House Mfg Part - Please provide HIN when placing order)
9	2222070	19SPX/SPXO,CUSH,BOW PRT SELECT (In-House Mfg Part - Please provide HIN when placing order)
	2222071	19SPX/SPXO,CUSH SKN,BOW PRT SELECT (In-House Mfg Part - Please provide HIN when placing order)
10	2170105	19SPX/SPXO,B/R,BOW AFT UPR PRT SELECT (In-House Mfg Part - Please provide HIN when placing order)
	2170106	19SPX/SPXO,B/R SKN,BOW AFT UPR PRT SELECT (In-House Mfg Part - Please provide HIN when placing order)
	1756151	BRACKET, BLSTR CKPT ANGLED 3/4" STND-OFF SS (Attached to B/R Upholstery)
	1798770	BRACKET, H/S 3/4"X2.25"X1/2"OFF-SET SS (Attached to Deck)
11	2170107	19SPX/SPXO,B/R,BOW AFT LWR PRT SELECT (In-House Mfg Part - Please provide HIN when placing order)
	2170108	19SPX/SPXO,B/R SKN,BOW AFT LWR PRT SELECT (In-House Mfg Part - Please provide HIN when placing order)
	1756151	BRACKET, BLSTR CKPT ANGLED 3/4" STND-OFF SS (Attached to B/R Upholstery)
	1798770	BRACKET, H/S 3/4"X2.25"X1/2"OFF-SET SS

		(Attached to Deck)
12	2222085	19SPX/SPXO,PNL,BOW STB SIDE SPKR SELECT (In-House Mfg Part - Please provide HIN when placing order)
13	2222086	19SPX/SPXO,PNL,BOW PRT SIDE SPKR SELECT (In-House Mfg Part - Please provide HIN when placing order)
14	2202484	H/S, 19/21-16 AERGO PROTEGE/WHT/BLK/BLK-TS Used with SELECT PACKAGE - SAHARA OPTION (SKINS NOT AVAILABLE PER SUPPLIER-MUST ORDER COMPLETE SEAT)
	2202479	H/S, 19/21-16 AERGO PROTEGE/CRM/BLK/BLK-TS Used with SELECT PACKAGE - COGNAC OPTION (SKINS NOT AVAILABLE PER SUPPLIER-MUST ORDER COMPLETE SEAT)
	2163077	SLIDE ASSY, SEAT SLIDE/SWVL LCKNG LO-PRO LH (Slide Assembly is Not Part of Seat)
	1027135	KNOB, LOCKING 3/8-16 X 5" SS (PART OF SLIDE ASSY)
15	2222080	19SPX/SPXO,PNL,CKPT HELM STB I/B SELECT (In-House Mfg Part - Please provide HIN when placing order)
	2222081	19SPX/SPXO,PNL SKN,CKPT HELM STB I/B SELECT (In-House Mfg Part - Please provide HIN when placing order)
	154328	CLIP, XMAS TREE
16	2222068	19SPX/SPXO,CUSH,CKPT AFT BNCH STB SELECT (In-House Mfg Part - Please provide HIN when placing order)
	2222069	19SPX/SPXO,CUSH SKN,CKPT AFT BNCH STB SELECT (In-House Mfg Part - Please provide HIN when placing order)
17	2170101	19SPX/SPXO,B/R,AFT BNCH UPR SELECT (In-House Mfg Part - Please provide HIN when placing order)
	2170102	19SPX/SPXO,B/R SKN,AFT BNCH UPR SELECT (In-House Mfg Part - Please provide HIN when placing order)
	1756151	BRACKET, BLSTR CKPT ANGLED 3/4" STND-OFF SS (Attached to B/R Upholstery)
	1798770	BRACKET, H/S 3/4"X2.25"X1/2"OFF-SET SS (Attached to Deck)
18	2170098	19SPX/SPXO,CUSH,SNPD SELECT (In-House Mfg Part - Please provide HIN when placing order)
	2170100	19SPX/SPXO,CUSH SKN,SNPD SELECT (In-House Mfg Part - Please provide HIN when placing order)
19	2170103	19SPX/SPXO,B/R,AFT BNCH LWR SELECT (In-House Mfg Part - Please provide HIN when placing order)
	2170104	19SPX/SPXO,B/R SKN,AFT BNCH LWR SELECT (In-House Mfg Part - Please provide HIN when placing order)
	1756151	BRACKET, BLSTR CKPT ANGLED 3/4" STND-OFF SS (Attached to B/R Upholstery)
	1798770	BRACKET, H/S 3/4"X2.25"X1/2"OFF-SET SS (Attached to Deck)
20	2222066	19SPX/SPXO,CUSH,CKPT AFT BNCH PRT SELECT (In-House Mfg Part - Please provide HIN when placing order)
	2222067	19SPX/SPXO,CUSH SKN,CKPT AFT BNCH PRT SELECT (In-House Mfg Part - Please provide HIN when placing order)
	2123112	LATCH, SNAP-IN NYL 1.5"DIA 20LB (Black 2-Piece Latch - Must Buy Complete Latch Pieces Not Sold Individual)
21	2222064	19SPX/SPXO,B/R,CKPT PRT AFT RMVBL SELECT

(Assembled with the 2155222 Support Inside Upholstery)|(In-House Mfg Part - Please provide HIN when placing order)

	2222065	19SPX/SPXO,B/R SKN,CKPT PRT AFT RMVBL SELECT (In-House Mfg Part - Please provide HIN when placing order)
22	2153274	SUPPORT, ALUM 19SPX-15 PRT LNGR BCKRST
23	2162233	MOUNT, HDPE 19/21SPX-15 BKRST WALL
24	2155224	PLATE, 19/21SPX-15 BCKRST WALL MNT SS
25	2222076	19SPX/SPXO,CUSH,CKPT SIDE PRT AFT SELECT (In-House Mfg Part - Please provide HIN when placing order)
	2222077	19SPX/SPXO,CUSH SKN,CKPT SIDE PRT AFT SELECT (In-House Mfg Part - Please provide HIN when placing order)
	2253078	HINGE, SS CONT 2"X 10"X .060"PLSHD
26	2222078	19SPX/SPXO,CUSH,CKPT SIDE PRT FWD SELECT (In-House Mfg Part - Please provide HIN when placing order)
	2222079	19SPX/SPXO,CUSH SKN,CKPT SIDE PRT FWD SELECT (In-House Mfg Part - Please provide HIN when placing order)
27	2222060	19SPX/SPXO,B/R,CKPT PRT FWD LWR SELECT (In-House Mfg Part - Please provide HIN when placing order)
	2222061	19SPX/SPXO,B/R SKN,CKPT PRT FWD LWR SELECT (In-House Mfg Part - Please provide HIN when placing order)
	1617281	BRACKET, BLSTR CKPT ANGLED 1/4" STND-OFF SS (Attached to B/R Upholstery)
	1798770	BRACKET, H/S 3/4"X2.25"X1/2"OFF-SET SS (Attached to Deck)
28	2222062	19SPX/SPXO,B/R,CKPT PRT SIDE SELECT (In-House Mfg Part - Please provide HIN when placing order)
	2222063	19SPX/SPXO,B/R SKN,CKPT PRT SIDE SELECT (In-House Mfg Part - Please provide HIN when placing order)
	1756151	BRACKET, BLSTR CKPT ANGLED 3/4" STND-OFF SS (Attached to B/R Upholstery)
	1798770	BRACKET, H/S 3/4"X2.25"X1/2"OFF-SET SS (Attached to Deck)
29	2192811	PANEL, 19/21SPX-15 PRT CONSOLE UPGRADE Used with SELECT PACKAGE OPTIONS
30	2222083	19SPX/SPXO,PNL,CKPT PRT AFT SIDE SELECT (In-House Mfg Part - Please provide HIN when placing order)
31	2222084	19SPX/SPXO,PNL,CKPT PRT FWD SIDE SELECT (In-House Mfg Part - Please provide HIN when placing order)

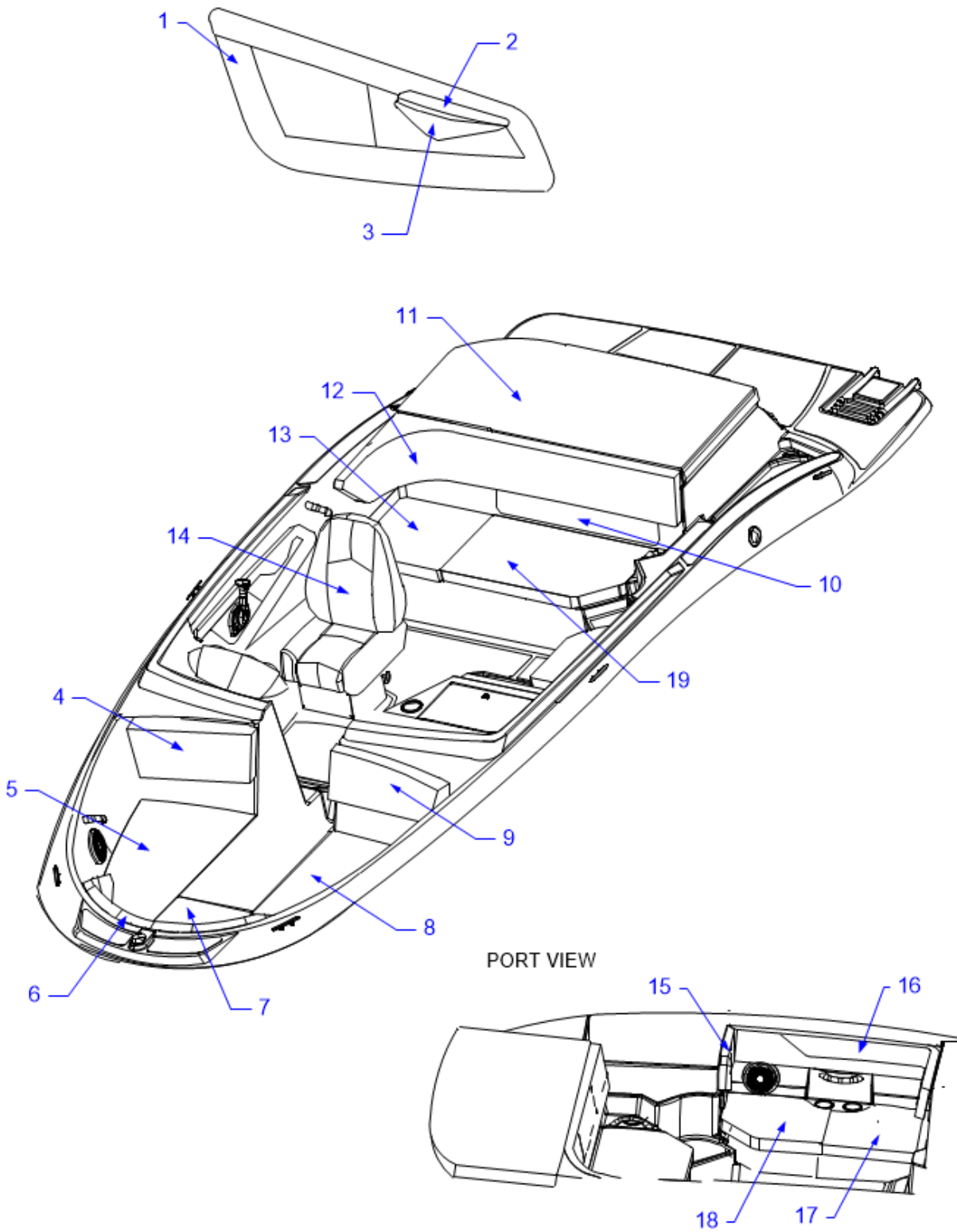
UPHOLSTERY MATERIALS

	156893	WEBBING, POLYPROPYLENE 1" BLACK
	156901	WELT, WELT CORD SYNTHETIC 5/32" X 1000'
	178491	VELCRO, LOOP BLK 2" SEW-ON
	274373	BUMPER, CANOE CLIP MED WHT
	602169	TAB, PULL TAB MATERIAL 1.5"X 250YDS
	836106	BRACKET, PVC 1.5"X 1.5"X 8" 1/4"HOLES
	991612	ANGLE, PVC 2"X 2"X 1/4"X 10' WHT
	1579499	TAPE, DBL-SIDE ADHESIVE 1" X 60YD
	1617281	BRACKET, BLSTR CKPT ANGLED 1/4" STND-OFF SS (Attached to B/R or Bolster Upholstery)

1687646	HIDEM, SEABROOK EBONY 5/8"
1798770	BRACKET, H/S 3/4"X2.25"X1/2"OFF-SET SS (Attached to Deck)
1807994	VELCRO, LOOP WHT 1.5" FULL PILE
1808112	BRACKET, ALUM 1.5"X 1.5"X 1.5" W/3/4" HOLE
2030742	ZIPPER, #5 DELRIN CONTINUOUS PASKAL BLK
2152533	SLIDE, #5 DELRIN ZIPPER PULL BLK
2186705	CLEAT, PLAS 3/4"X 1.5"X 4"BLK
2187594	BLOCK, CUSH HLDWN 1.75"X 2"X .5"ARCW
186239	BRACKET, ALUM 1.5"X 1.5"X 3"
1875492	TRIM-SEAL, #X202BT 1/2"X 1/2" SELF-ADH BLK
2080411	TRIM, EDGE BLK MTRBX SML BBR
175372	BUMPER, CLEAR SMALL 0.312"ROUND X 0.085"HIGH

COCKPIT UPHOLSTERY (STANDARD)

STBD VIEW



COCKPIT UPHOLSTERY (STANDARD)

- | | | |
|---|---------|---|
| 1 | 2168539 | 19SPX/SPXO,PNL,CKPT STBD SIDE
(In-House Mfg Part-Please Provide HIN When Placing Order or Inquiry) |
| 2 | 2168542 | 19SPX/SPXO,ARMRST,STB SD PNL PAD ONLY
(Upholstered Pad Only) (In-House Mfg Part-Please Provide HIN When Placing Order or Inquiry) |

- 3 2152455 FBRGLS PART, 19SPX-15 ARMREST
(Fiberglass Part Only - No Upholstery)|(In-House Mfg Part-Please Provide HIN When Placing Order or Inquiry)
- 4 2229102 19SPX/SPXO,B/R,BOW STB AFT WRPARND
(NOTE:PART NOT AS SHOWN - The Backrest Wraps Around to the Side)|Please Provide HIN When Placing Order or Inquiry)
- 2229112 19SPX/SPXO.B/R SKN,BOW STB AFT WRPRND
(NOTE:PART NOT AS SHOWN - The Backrest Wraps Around to the Side)|(Please Provide HIN When Placing Order or Inquiry)
- 1617281 BRACKET, BLSTR CKPT ANGLED 1/4" STND-OFF SS
(Attached to B/R Upholstery)
- 1798770 BRACKET, H/S 3/4"X2.25"X1/2"OFF-SET SS
(Attached to Deck)
- 5 2166584 19SPX/SPXO,CUSH,BOW STBD
(In-House Mfg Part-Please Provide HIN When Placing Order or Inquiry)
- 2166583 19SPX/SPXO,CUSH SKN,BOW STBD
(In-House Mfg Part-Please Provide HIN When Placing Order or Inquiry)
- 6 2229103 19SPX/SPXO,B/R,BOW FWD CTR WRPARND
New Style for 2016-Not Available for 2015 Model)|Please Provide HIN When Placing Order or Inquiry)
- 2229110 19SPX/SPXO,B/R SKN,BOW FWD CTR WRPARND
New Style for 2016-Not Available for 2015 Model)|Please Provide HIN When Placing Order or Inquiry)
- 1617281 BRACKET, BLSTR CKPT ANGLED 1/4" STND-OFF SS
(Attached to B/R or Bolster Upholstery)
- 1798770 BRACKET, H/S 3/4"X2.25"X1/2"OFF-SET SS
(Attached to Deck)
- 7 2166588 19SPX/SPXO,CUSH,BOW FWD CTR
(In-House Mfg Part-Please Provide HIN When Placing Order or Inquiry)
- 2166587 19SPX/SPXO,CUSH SKN,BOW FWD CTR
(In-House Mfg Part-Please Provide HIN When Placing Order or Inquiry)
- 8 2166590 19SPX/SPXO,CUSH,BOW PRT
(In-House Mfg Part-Please Provide HIN When Placing Order or Inquiry)
- 2166589 19SPX/SPXO,CUSH SKN,BOW PRT
(In-House Mfg Part-Please Provide HIN When Placing Order or Inquiry)
- 9 2229101 19SPX/SPXO,B/R,BOW PRT AFT WRPARND
(NOTE:PART NOT AS SHOWN)|(New Style for 2016-Not Available for 2015 Model)|Please Provide HIN When Placing Order or Inquiry)
- 2229109 19PSX/SPXO,B/R SKN,BOW PRT AFT WRPRND
(NOTE:PART NOT AS SHOWN)|(New Style for 2016-Not Available for 2015 Model)|Please Provide HIN When Placing Order or Inquiry)
- 1617281 BRACKET, BLSTR CKPT ANGLED 1/4" STND-OFF SS
(Attached to B/R Upholstery)
- 1798770 BRACKET, H/S 3/4"X2.25"X1/2"OFF-SET SS
(Attached to Deck)
- 10 2168549 19SPX/SPXO,PNL,ENG ACCESS
(In-House Mfg Part-Please Provide HIN When Placing Order or Inquiry)
- 11 2168547 19SPX/SPXO,CUSH,SNPD STD SEATING
(In-House Mfg Part-Please Provide HIN When Placing Order or Inquiry)
- 2168548 19SPX/SPXO,CUSH SKN,SNPD STD SEATING
(In-House Mfg Part-Please Provide HIN When Placing Order or Inquiry)
- 864983 BRACKET, SS GAS CYL 90DEG 2.062" REVERSED

		(Upper Cylinder Bracket Attached to Sunpad Cushion)
	634600	CYLINDER, GAS 60PSI 20"EXT X 12"COMP
	634592	BRACKET, SS GAS CYL FLAT W/BALL STUD
		(Lower Cylinder Bracket Attached to Deck)
12	2168543	19SPX/SPXO,B/R,AFT BNCH
		(In-House Mfg Part-Please Provide HIN When Placing Order or Inquiry)
	2168544	19SPX/SPXO,B/R SKN,AFT BNCH
		(In-House Mfg Part-Please Provide HIN When Placing Order or Inquiry)
	2183006	SHIM, PVC 19/21SPX-15 AFT BNCH BCKRST
	1756151	BRACKET, BLSTR CKPT ANGLED 3/4" STND-OFF SS
		(Attached to B/R Upholstery)
	1798770	BRACKET, H/S 3/4"X2.25"X1/2"OFF-SET SS
		(Attached to Deck)
13	2168545	19SPX/SPXO,CUSH,STB AFT BNCH
		(In-House Mfg Part-Please Provide HIN When Placing Order or Inquiry)
	2168546	19SPX/SPXO,CUSH SKN,STBD AFT BNCH
		(In-House Mfg Part-Please Provide HIN When Placing Order or Inquiry)
	2195245	19SPX/SPXO,CARPET,AFT SEAT STB STRG
		(Located Under Cushion on Floor Inside Seat Base Storage Area)
14	2202473	H/S, 19/21-16 AERGO MYSTC/WHT/CLOUD/BLK-TS
		(Standard) - Used with STANDARD UPHOLSTERY WHITE / CHARCOAL (SKINS NOT AVAILABLE PER SUPPLIER-MUST ORDER COMPLETE SEAT)
	2249142	H/S, 19/21-17 AERGO PROTEGE/TAN/PRL/PRL-TS
		Used with STANDARD UPHOLSTERY WHITE / TAN OPTION
	2202479	H/S, 19/21-16 AERGO PROTEGE/CRM/BLK/BLK-TS
		Used with SELECT PACKAGE - COGNAC OPTION (SKINS NOT AVAILABLE PER SUPPLIER-MUST ORDER COMPLETE SEAT)
	2202484	H/S, 19/21-16 AERGO PROTEGE/WHT/BLK/BLK-TS
		Used with SELECT PACKAGE - SAHARA OPTION (SKINS NOT AVAILABLE PER SUPPLIER-MUST ORDER COMPLETE SEAT)
	2163077	SLIDE ASSY, SEAT SLIDE/SWVL LCKNG LO-PRO LH
		(SLIDE NOT PART OF SEAT ASSEMBLY - MUST ORDER SEPARATELY)
	1027135	KNOB, LOCKING 3/8-16 X 5" SS
		(PART OF SLIDE ASSY)
15	2229105	19SPX/SPXO,B/R,CKPT PRT AFT RVMBL (R16)
		(New Style for 2016-Not Available for 2015 Model) (Please Provide HIN When Placing Order or Inquiry)
	2229113	19SPX/SPXO,B/R SKN,CKPT PRT AFT RVMBL (R16)
		(New Style for 2016-Not Available for 2015 Model) (Please Provide HIN When Placing Order or Inquiry)
	2153274	SUPPORT, ALUM 19SPX-15 PRT LNDR BCKRST
	2162233	MOUNT, HDPE 19/21SPX-15 BKRST WALL
	2155224	PLATE, 19/21SPX-15 BCKRST WALL MNT SS
16	2170219	19SPX/SPXO,B/R,PRT CKPT SIDE PNL
		(In-House Mfg Part-Please Provide HIN When Placing Order or Inquiry)
	2170220	19SPX/SPXO,B/R SKN,PRT CKPT SIDE PNL
		(In-House Mfg Part-Please Provide HIN When Placing Order or Inquiry)
	1756151	BRACKET, BLSTR CKPT ANGLED 3/4" STND-OFF SS
		(Attached to B/R Upholstery)
	1798770	BRACKET, H/S 3/4"X2.25"X1/2"OFF-SET SS
		(Attached to Deck)

17	2170223	19SPX/SPXO,CUSH,CKPT PRT SIDE FWD (LWR) (In-House Mfg Part-Please Provide HIN When Placing Order or Inquiry)
	2170224	19SPX/SPXO,CUSH SKN,CKPT PRT SIDE FWD (LWR) (In-House Mfg Part-Please Provide HIN When Placing Order or Inquiry)
18	2170221	19SPX/SPXO,CUSH,CKPT PRT SIDE AFT (In-House Mfg Part-Please Provide HIN When Placing Order or Inquiry)
	2170222	19SPX/SPXO,CUSH SKN,CKPT PRT SIDE AFT (In-House Mfg Part-Please Provide HIN When Placing Order or Inquiry)
	2253078	HINGE, SS CONT 2"X 10"X .060"PLSHD
19	2168550	19SPX/SPXO,CUSH,PRT AFT BNCH (In-House Mfg Part-Please Provide HIN When Placing Order or Inquiry)
	2168551	19SPX/SPXO,CUSH SKN,PRT AFT BNCH (In-House Mfg Part-Please Provide HIN When Placing Order or Inquiry)

VINYLS

	2077037	VINYL, UNDERLINING BLK FLAT
	2120905	VINYL, PROTEGE/EMPIRE TAN FLAT MRTCH DULL FIN Used with SELECT PACKAGE - COGNAC OPTION Used with BLACK BEAUTY COCKPIT - TAN OPTION
	2071915	VINYL, EDGE/BLK FLAT
	2193501	VINYL, ALLOY/WHT FLAT
	2120903	VINYL, PROTEGE/CRM FLAT MRTCH DULL FIN Used with SELECT PACKAGE - COGNAC OPTION
	2121126	VINYL, KIXX/CHAR FLAT Used with SELECT PACKAGE - COGNAC OPTION
	2126968	VINYL, PROTEGE/WHT 1/4"FBDW W/ADHSV MERRIT MR Used with SELECT PACKAGE - COGNAC OPTION
	2120907	VINYL, PROTEGE/WHT FLAT MRTCH DULL FIN Used with SELECT PACKAGE - SAHARA OPTION
	2120908	VINYL, KIXX/PRL FLAT Used with SELECT PACKAGE - SAHARA OPTION
	2123034	VINYL, PROTEGE/CRM 1/4" F/B MRTCH DULL FIN Used with SELECT PACKAGE - SAHARA OPTION

UPHOLSTERY MATERIALS

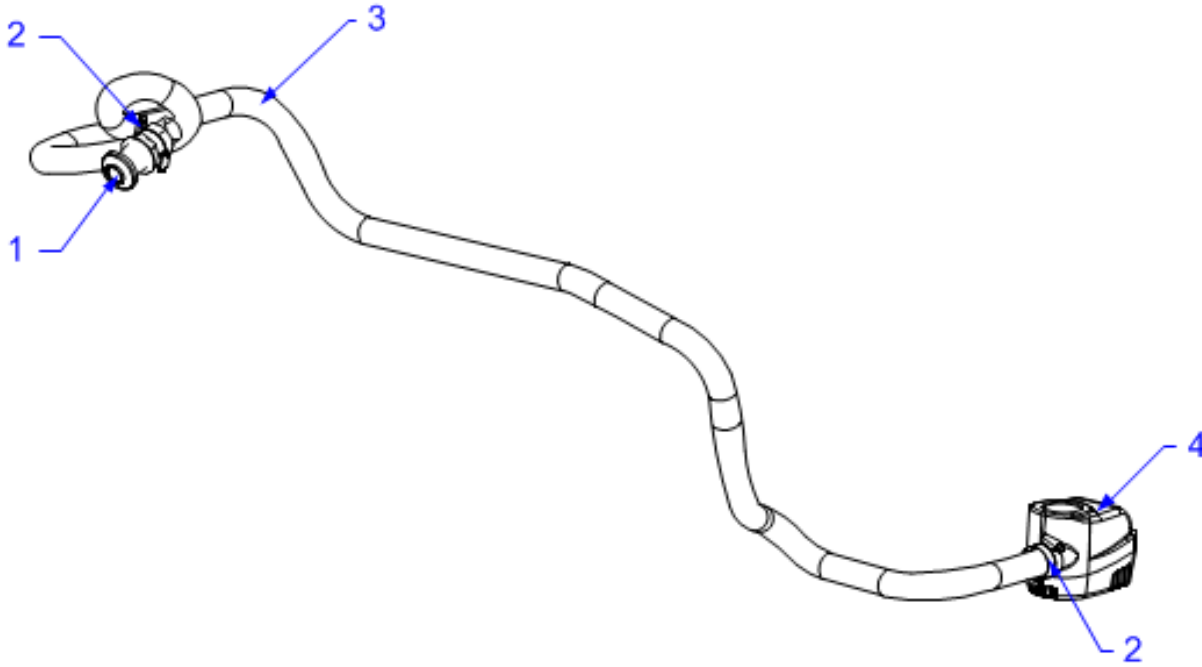
	156893	WEBBING, POLYPROPYLENE 1" BLACK
	156901	WELT, WELT CORD SYNTHETIC 5/32" X 1000'
	178491	VELCRO, LOOP BLK 2" SEW-ON
	274373	BUMPER, CANOE CLIP MED WHT
	602169	TAB, PULL TAB MATERIAL 1.5"X 250YDS
	836106	BRACKET, PVC 1.5"X 1.5"X 8" 1/4"HOLES
	991612	ANGLE, PVC 2"X 2"X 1/4"X 10' WHT
	1579499	TAPE, DBL-SIDE ADHESIVE 1" X 60YD
	1617281	BRACKET, BLSTR CKPT ANGLED 1/4" STND-OFF SS (Attached to B/R or Bolster Upholstery)
	1687646	HIDEM, SEABROOK EBONY 5/8"
	1798770	BRACKET, H/S 3/4"X2.25"X1/2"OFF-SET SS (Attached to Deck)
	1807994	VELCRO, LOOP WHT 1.5" FULL PILE
	1808112	BRACKET, ALUM 1.5"X 1.5"X 1.5" W/3/4" HOLE
	2030742	ZIPPER, #5 DELRIN CONTINUOUS PASKAL BLK

2152533 SLIDE, #5 DELRIN ZIPPER PULL BLK
 2186705 CLEAT, PLAS 3/4"X 1.5"X 4"BLK
 2187594 BLOCK, CUSH HLDWN 1.75"X 2"X .5"ARCW
 186239 BRACKET, ALUM 1.5"X 1.5"X 3"
 1875492 TRIM-SEAL, #X202BT 1/2"X 1/2" SELF-ADH BLK
 2080411 TRIM, EDGE BLK MTRBX SML BBR
 175372 BUMPER, CLEAR SMALL 0.312"ROUND X 0.085"HIGH

FOAM

2209840 FOAM, P/C 19/21SPX-16 BOW CUSH KIT
 2199085 FOAM, P/C 19/21SPX-15 BOW CUSH KIT SEL
Used with SELECT PACKAGE OPTIONS
 2185106 FOAM, P/C 19SPX-15 AFT BNCH B/R
 2199091 FOAM, P/C 19SPX-15 AFT PRT B/R SEL
Used with SELECT PACKAGE OPTIONS
 2199081 FOAM, P/C 19SPX-15 AFT BNCH BLSTR/CUSH SEL
Used with SELECT PACKAGE OPTIONS
 2209833 FOAM, P/C 19SPX-16 BOW B/R KIT
 2163853 FOAM, P/C 19SPX-15 BOW B/R SELECT KIT
Used with SELECT PACKAGE OPTIONS
 2202759 FOAM, P/C 19SPX-15 CKPT PRT SIDE B/R
 2151610 FOAM, P/C 19SPX-15 CKPT SIDE PNL KIT
 2199082 FOAM, P/C 19SPX-15 CKPT SIDE PNL KIT SEL
Used with SELECT PACKAGE OPTIONS
 2211132 FOAM, P/C 19SPX-16 PRT B/R
 2199096 FOAM, P/C 19SPX-15 PRT B/R SEL
Used with SELECT PACKAGE OPTIONS
 2211130 FOAM, P/C 19SPX-16 AFT BNCH BLSTR CUSH
 2209848 FOAM, P/C 19SPX-16 AFT PRT RMVBL B/R
 2211129 FOAM, P/C 19SPX-16 PRT CKPT CUSH B/R
 2209843 FOAM, P/C 19SPX-16 SNPD KIT
 2189806 FOAM, P/C 19SPX-15 SELECT CUSH KIT
Used with SELECT PACKAGE OPTIONS

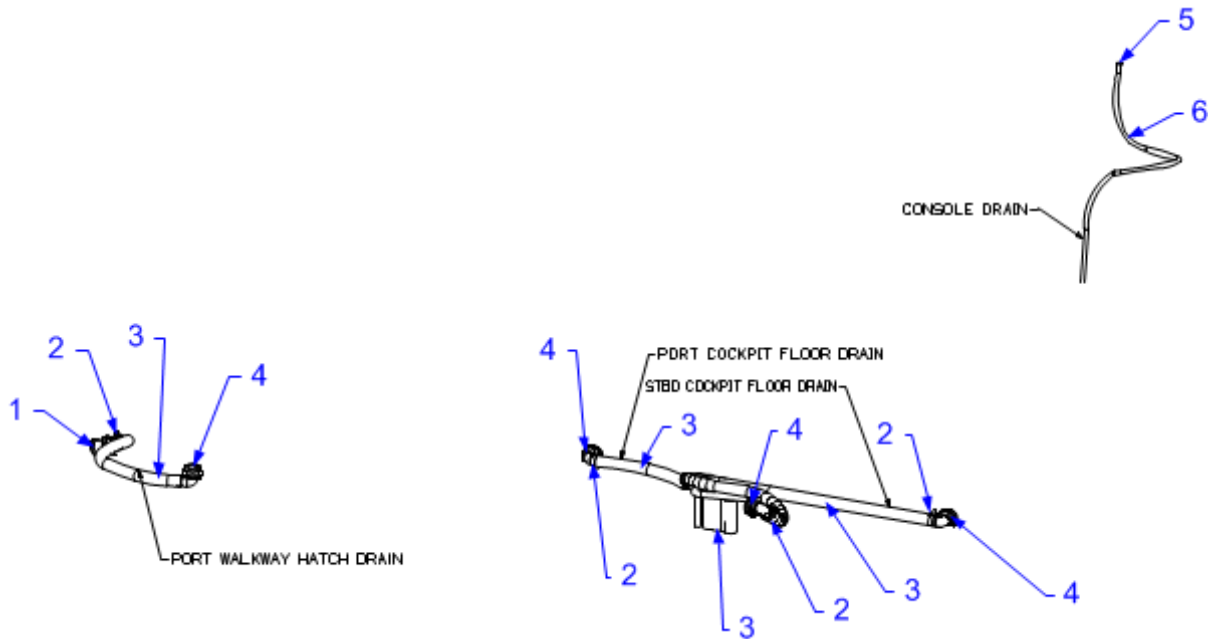
DRAINAGE SYSTEM (BILGE PUMP)



DRAINAGE SYSTEM (BILGE PUMP)

1	1857886	THRU-HULL, 1 1/8"STRAIGHT WHT
	2037133	THRU-HULL, PLAS SS CAP 1 1/8"BARB ST ATTW Used with STAINLESS STEEL COMPONENT UPGRADE OPTION Used with COGNAC-SELECT PACKAGE OPTION Used with SAHARA-SELECT PACKAGE OPTION
	2076879	WASHER, SILICONE 70 DUR 1/16 X 1.3"X 1.7" (Washer Only-Not Included with Thru-Hull-Must Order Separately)
2	256685	CLAMP, HOSE #16 3/4"-1.5" SS .505
3	123901	HOSE, CORR BILGE 1 1/8" BLK
4	1852097	PUMP, BILGE 1100GPH SAHARA W/SW

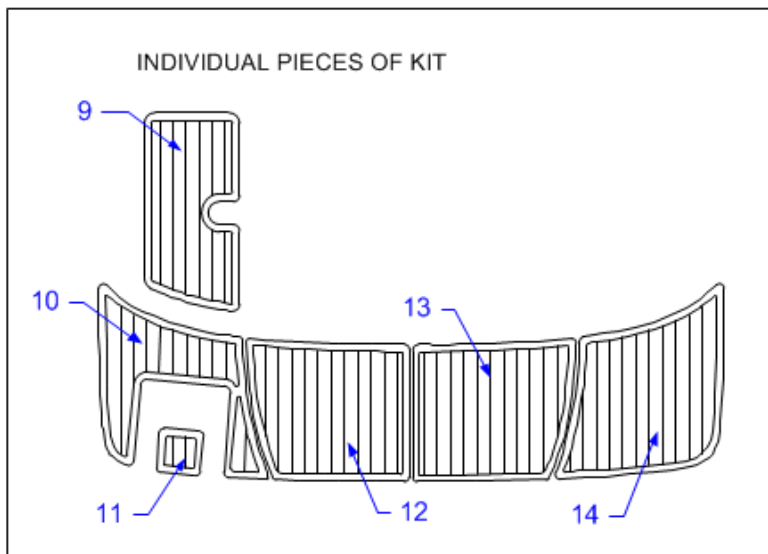
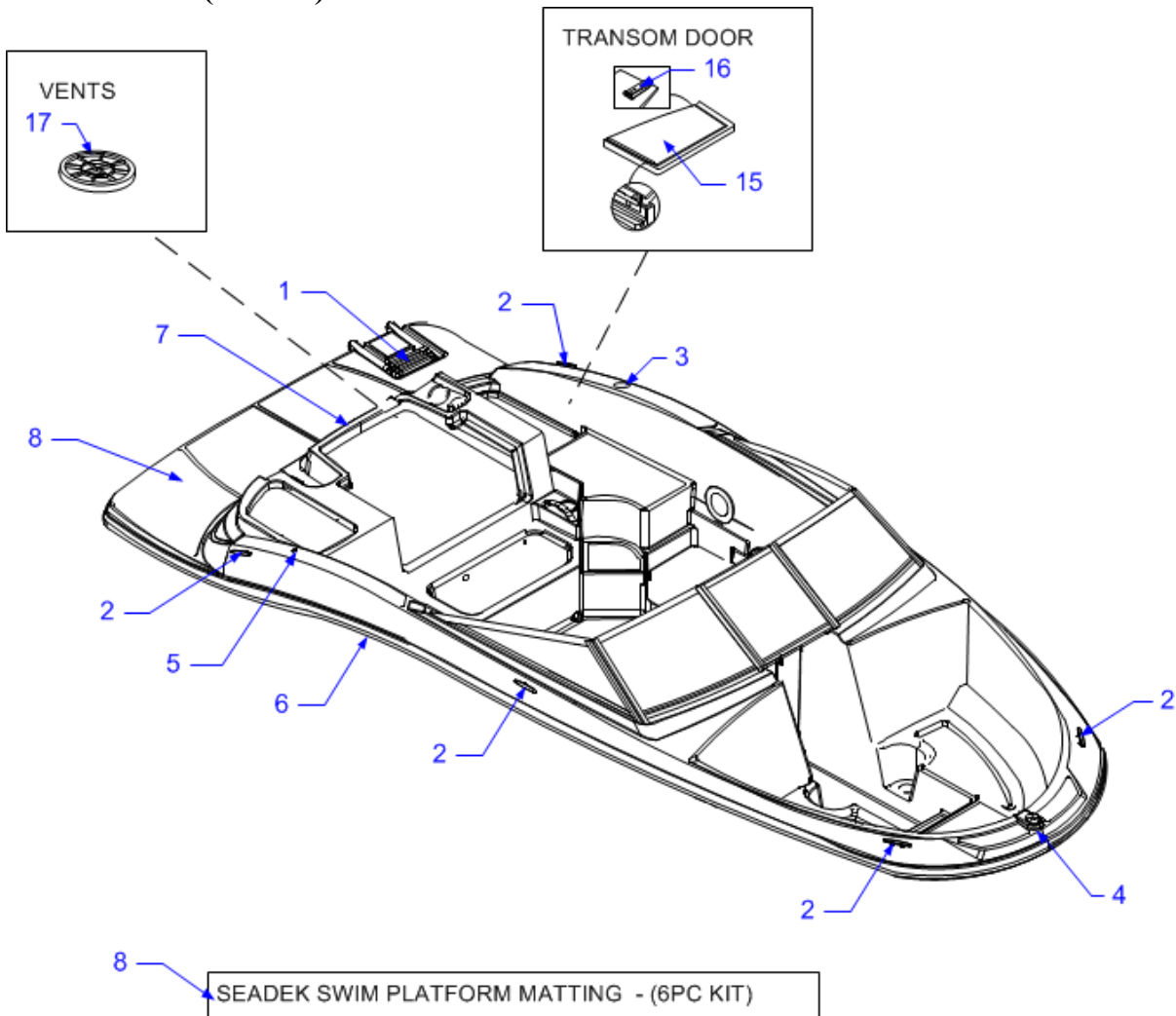
DRAINAGE SYSTEM (COCKPIT)



DRAINAGE SYSTEM (COCKPIT)

1	1857886	THRU-HULL, 1 1/8"STRAIGHT WHT
	2037133	THRU-HULL, PLAS SS CAP 1 1/8"BARB ST ATTW
		Used with STAINLESS STEEL COMPONENT UPGRADE OPTION Used with COGNAC-SELECT PACKAGE OPTION Used with SAHARA-SELECT PACKAGE OPTION
	2076879	WASHER, SILICONE 70 DUR 1/16 X 1.3"X 1.7"
		(Washer Only - Not Included with Thru-Hulls, Must Order Separately)
2	256685	CLAMP, HOSE #16 3/4"-1.5" SS .505
3	123901	HOSE, CORR BILGE 1 1/8" BLK
4	1043371	THRU-HULL, PLAS 1 1/8" TUBE X 90DEG WHT
		(Standard)
5	916833	DRAIN, PUSH IN 3/8" WHT
	1857923	DRAIN, PUSH IN 3/8" BLK
6	124347	HOSE, PVC CLEAR 3/8"
	1843114	FITTING, TEE 3/8"ID ALL BARB BLK

EXTERIOR (DECK)

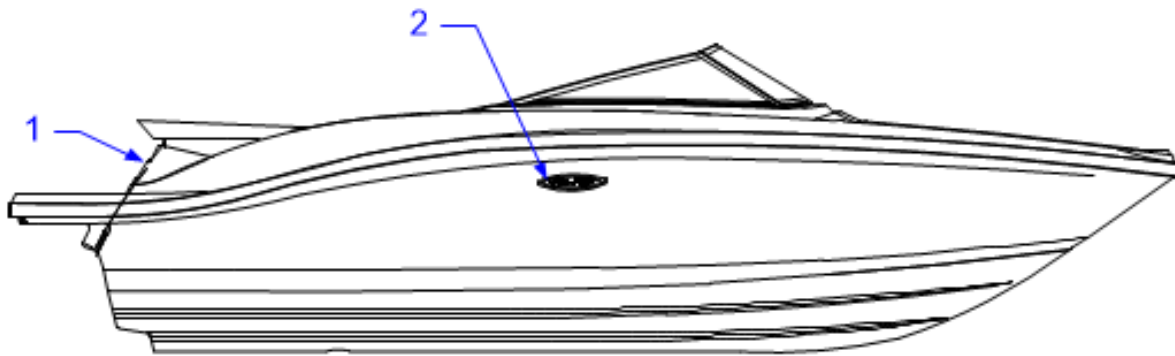
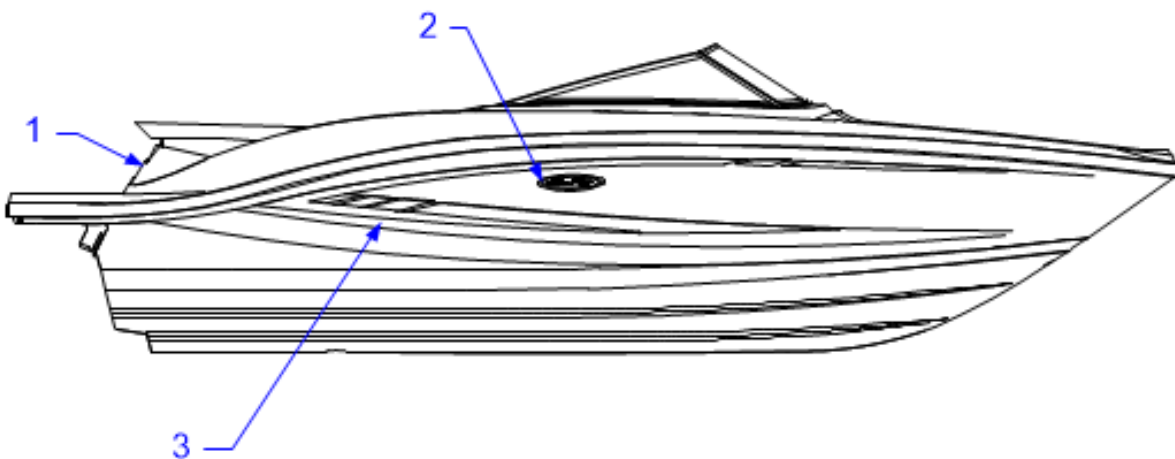


EXTERIOR (DECK)

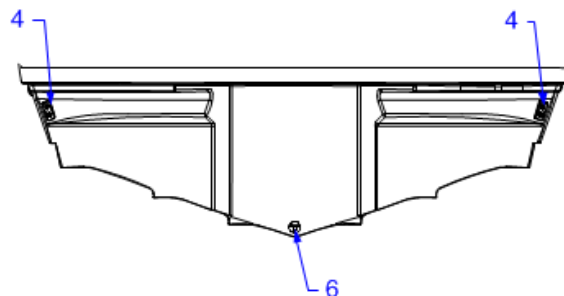
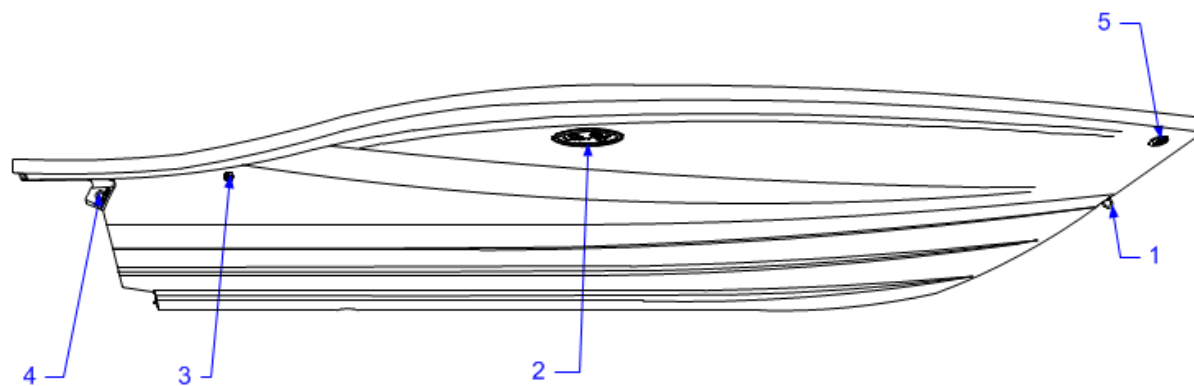
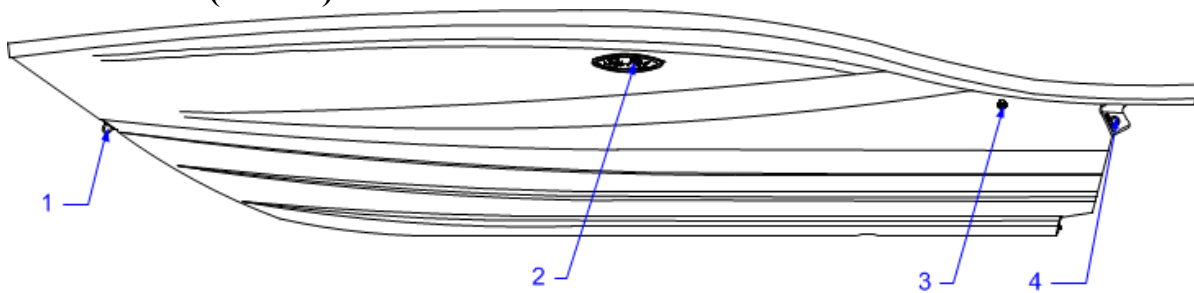
- 1 2147568 LADDER, SWIM 304SS 4-STEP TELESCOP 15DEG
- 2103919 BUNGEE CORD, LADDER HOLD DOWN 3-STEP
- 2027317 LABEL, DANGER SHUTOFF ENG NEAR SWIMMER P/VYNL
- 2 2203459 CLEAT, 6"CONT SER SCPT LOGO SS 2-BOLT

	1473040	PLATE, BACKING UNIVERSAL 3/16"
	1831194	GASKET, SILICONE 70 DUR 1/32"X 27 X.50 X.75
3	2063709	DECK FILL, GAS CHR CC 30DG W/1.5"BARB EVAPEPA
4	1798768	LIGHT, NAV BOW COMBO KIT BLK BASE/CHR CVR (Standard)
	1771010	LIGHT, NAV COMBO BOW SS REV1 W/CONN Used with STAINLESS STEEL COMPONENT UPGRADE OPTION Used with SELECT PACKAGE-COGNAC OPTION Used with SELECT PACKAGE-SAHARA OPTION
	1423946	BULB, REPL FOR #1414895 12V
	1798057	LIGHT, NAV COMBO BOW LENS CVR ONLY
	2105688	LIGHT, NAV RED/GRN 19" PLUG IN (Light Only) - Used with ALL SPORTS PACKAGE OPTION
	1907508	LIGHT, BASE ROUND NAV STERN LIGHT CHR W/CONN (Base Only) - Used with ALL SPORTS PACKAGE OPTION
5	1907503	LIGHT, NAV A/R STERN 66"13DEG RG THRNUT
	1907508	LIGHT, BASE ROUND NAV STERN LIGHT CHR W/CONN
	1907894	CLIP, POLE STRG BLK - MAST LIGHT
6	1734139	RUB RAIL GUNWALE, 1.5" X 52' BLK (Standard Rubrail)
	1952623	RUBRAIL, PVC BLK 18"SS INSERT 3/4"WIDE BBR (Optional Rubrail) Used with STAINLESS STEEL COMPONENT UPGRADE OPTION Used with SELECT PACKAGE-COGNAC OPTION Used with SELECT PACKAGE-SAHARA OPTION
	1675313	TAPE, NORSEAL 0.125"X 7/8"X 100' SWIVEL FREE
	1734127	INSERT, GUNNEL PVC 52' BLK (Standard Insert for Rubrail)
	1080100	INSERT, RUBRAIL SS 3/4"X 12' (.062/304SS) Used with STAINLESS STEEL COMPONENT UPGRADE OPTION Used with SELECT PACKAGE-COGNAC OPTION Used with SELECT PACKAGE-SAHARA OPTION
	1095959	INSERT, RUBRAIL SS 3/4"X 10' (.062/304SS) Used with STAINLESS STEEL COMPONENT UPGRADE OPTION Used with SELECT PACKAGE-COGNAC OPTION Used with SELECT PACKAGE-SAHARA OPTION
	1693527	INSERT, RUBRAIL SS 3/4"X 15' 6"X .062 Used with STAINLESS STEEL COMPONENT UPGRADE OPTION Used with SELECT PACKAGE - SAHARA OPTION Used with SELECT PACKAGE - COGNAC OPTION
	2184921	CLIP, TRNSM GUNNEL BLK BBR (Located on Transom - Used with 1734127 and 1734139 Insert and Rubrail Not used with SS UPGRADE OR SELECT PACKAGE OPTIONS) Option)
7	2194109	SKI EYE, TRNSM MNT SS W/2.5"X 5"MNTNG PLATE
	2028926	LABEL, SKI TOW ROPE BACKLASH POLY/VINYL
8	2156307	INSERT, FOAM 19SPX-15 SWMPLTFRM TTNium Used with SEADEK SWIM PLATFORM MATTING OPTION
	2167917	INSERT, FOAM 19SPX-15 SWMPLTFRM SELECT MOCHA Used with COGNAC-SELECT PKG SWIM PLATFORM MAT OPTION Used with SAHARA-SELECT PKG SWIM PLATFORM MAT OPTION
9	2195714	INSERT, P/C 19SPX-15 SWMPLTFM PC#6 TTNium (Part of Kit 2156307)
	2196117	INSERT, P/C 19SPX-15 SWMPLTFM PC#6 MOCHA (Part of 2167917)
10	2187072	INSERT, FOAM 19SPX-15 SWMPLTFM LADDER TTNium (Part of Kit 2156307)
	2196114	INSERT, P/C 19SPX-15 SWMPLTFM PC#3 MOCHA

		(Part of 2167917)
11	2195713	INSERT, P/C 19SPX-15 SWMPLTFM PC#5 TTNIUM
		(Part of Kit 2156307)
	2196116	INSERT, P/C 19SPX-15 SWMPLTFRM PC#5 MOCHA
		(Part of 2167917)
12	2195710	INSERT, P/C 19SPX-15 SWMPLTFRM PC#1 TTNIUM
		(Part of Kit 2156307)
	2196112	INSERT, P/C 19SPX-15 SWMPLTFRM PC#1 MOCHA
		(Part of 2167917)
13	2195711	INSERT, P/C 19SPX-15 SWMPLTFM PC#2 TTNIUM
		(Part of Kit 2156307)
	2196113	INSERT, P/C 19SPX-15 SWMPLTFRM PC#2 MOCHA
		(Part of 2167917)
14	2195712	INSERT, P/C 19SPX-15 SWMPLTFM PC#4 TTNIUM
		(Part of Kit 2156307)
	2196115	INSERT, P/C 19SPX-15 SWMPLTFRM PC#4 MOCHA
		(Part of 2167917)
15	2166113	DOOR, ACRY 19SPX-15 TRNSM W/HINGE ARCW
		Used with C E OPTION GROUP OPTION
16	2122640	LATCH, SS H/D SLIDE BOLT W/STRIKE PLATE
		(Part of 2166113)
17	716159	VENT, PLAS GRILL 4" BLK
VAC PACK		
	2212539	VINYL FILM, 19SPX/SPXO PLAS CVR
	2209119	VINYL FILM, 19 SPX/O W/FLD ARCH/TROLLING
		Used with ALLSPORT PACKAGE OPTION Used with ELEVATION PACKAGE OPTION Used with WATER SPORT TOWER W/BIMINI OPTION
	1734620	TAPE, VAC PAK WHT (2"X 180') FLAME RETARDANT
	1691151	TAPE, VAC PAK WHT (4"X 180') FLAME RETARDANT
	468934	TAPE, VAC PAK WHT (4"X 36YDS) PRESERVATION
NOT SHOWN		
	2187059	STEREO, ROCKFORD FOSGATE REMOTE W/DSPL PMX-1R
		Used with TRANSOM STEREO REMOTE OPTION
	2187068	CABLE, ROCKFORD FOSGATE REMOTE EXT 25'PMX25C
		Used with TRANSOM STEREO REMOTE OPTION

EXTERIOR (GRAPHICS)**WHITE HULL - NO GRAPHICS - STANDARD****SPORT GRAPHICS****EXTERIOR (GRAPHICS)**

1	2246451	EMBLEM, MDL DESG 190SPX-17 CHRMX 8" X .92"
2	2254098	EMBLEM, "SEA RAY" SCRIPT HULL LOGO 13"CHRMX
3	2253336	GRAPHICS KIT, 19SPX-17 SPORT PKG1 DKCHAR/PWTR Used with GREY SPORT GRAPHICS OPTION
	2253335	GRAPHICS KIT, 19SPX-17 SPORT PKG2 FIRMST/PWTR Used with RED SPORT GRAPHICS OPTION

EXTERIOR (HULL)**EXTERIOR (HULL)**

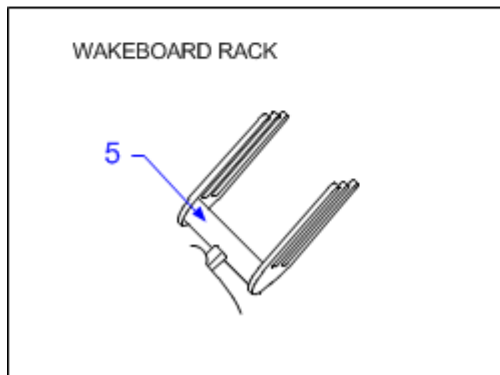
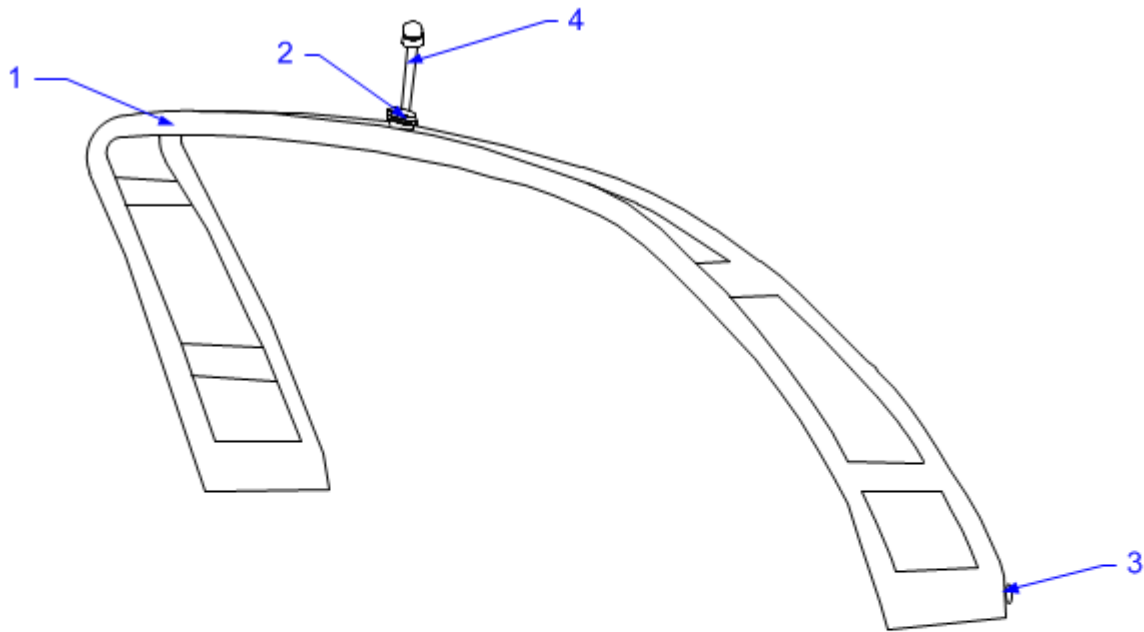
1	2091151	EYE, BOW 3/8"X 3 7/16"304SS TOP NUT INST
	1473040	PLATE, BACKING UNIVERSAL 3/16"
2	2254098	EMBLEM, "SEA RAY" SCRIPT HULL LOGO 13"CHRMX
3	1857886	THRU-HULL, 1 1/8"STRAIGHT WHT
		(Standard)
	2037133	THRU-HULL, PLAS SS CAP 1 1/8"BARB ST ATTW
		Used with STAINLESS STEEL COMPONENT UPGRADE OPTION Used with COGNAC-SELECT PACKAGE OPTION Used with SAHARA-SELECT PACKAGE OPTION
	1830770	GASKET, SILICONE 70 DUR 1/16" X .375 X 1.0
4	2091150	EYE, BOW 3/8"X 2.75"304SS TOP NUT INST

1473040 PLATE, BACKING UNIVERSAL 3/16"
 5 2129693 HORN, FIAMM 519 W/SS GRILL/DELPHI
 2228692 HORN, FIAMM 519 SS GRILL ONLY
(Part of 2091150)
 6 1702027 GARBOARD DRAIN, FLANGE
 1702028 GARBOARD DRAIN, PLUG

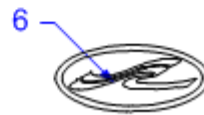
TRAILERS

2229488 TRAILER, SR-3100-DB-78-ST GALV
Used with 3100 LB SINGLE AXLE / SINGLE DISC (GALV) OPTION
 2229489 TRAILER, SR-3400-DB-78-ST BLK TXT
Used with 3400 LB SINGLE AXLE / SINGLE DISC (PAINT) OPTION
 2229493 TRAILER, SR-3400-DB-78-ST GALV
Used with 3400 LB SINGLE AXLE / SINGLE DISC (GALV) OPTION
 2229497 TRAILER, SRT-5000-DB-78-AF-ST BLK TXT 19SPX
Used with 5000 LB DUAL AXLE / SINGLE DISC (PAINT) OPTION
 2229498 TRAILER, SRT-5000-DB-78-AF-ST GALV 19SPX
Used with 5000 LB DUAL AXLE / SINGLE DISC (GALV) OPTION
 2229500 TRAILER, SRT-5000-TDB-78-AF-ST BLK TXT 19SPX
Used with 5000 LB DUAL AXLE / DUAL DISC (PAINT) OPTION
 2229502 TRAILER, SRT-5000-TDB-78-AF-ST GALV 19SPX
Used with 5000 LB DUAL AXLE / DUAL DISC (GALV) OPTION
 2229503 TRAILER, SRT-5000-DB-78-AF-ST BLK TXT UPGRADE
Used with 5000 LB PREM. DUAL AXLE/SINGLE DISC (PAINT) OPTION
 2229504 TRAILER, SRT-5000-TDB-78-AF-ST BLK TXT UPGRD
Used with 5000 LB PREM.TRLR W/ 2ND AXLE DISC BRKS PNT OPTION
 2217449 TIE DOWN, TRNSM 2"X 4'KWIKLOK
 2229481 TRAILER, SR-3100-DB-78-ST BLK TXT
 2229907 TIE DOWN, TRNSM S HOOK PROTECTOR

EXTERIOR (WATER SPORTS TOWER)



SEA RAY LOGO

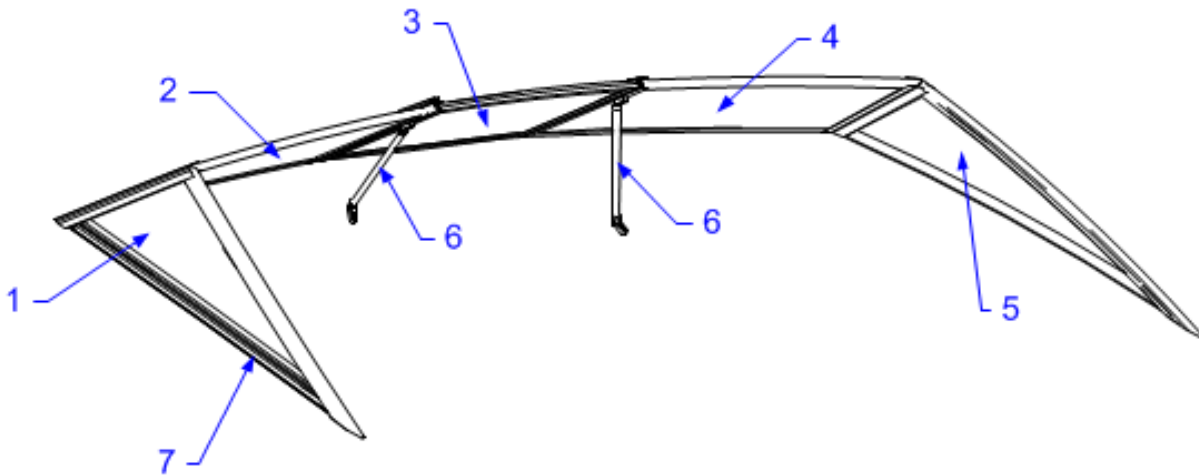


EXTERIOR (WATER SPORTS TOWER)

1	2253623	TOWER, 19/21SPX AL MAT BLK PC W/HRD/SPK WIRES ELEVATION PACKAGE
	2187260	TOWER, PIVOT PIN 2"SNAP RING (Part of 2253623)
	2183643	SHIM, DELRIN 19SPX-15 TOWER Used with ELEVATION PACKAGE OPTION[NOTE:NOT INCLUDED WITH TOWER MUST ORDER WHEN ADDING OR REPLACING TOWER
2	1950331	TOWER, WTR SPRTS TWR RND NAV LIGHT BASE (Part of 2253623)
3	2105599	KNOB, FWD FCNG TWR SOFT TOUCH (Part of 2253623)
4	1935262	LIGHT, NAV A/R NON LED 24" Used with ELEVATION PACKAGE OPTION
	1628536	BULB, REPL FOR NAV LIGHT A/R NON LED (Part of 1935262)
	1800868	LIGHT, NAV A/R LENS CVR ONLY ANTI-GLARE (Part of 1935262)
5	2133507	SUPPORT, ALUM ANOD WAKEBRD RACK 1.5-2" TUBING

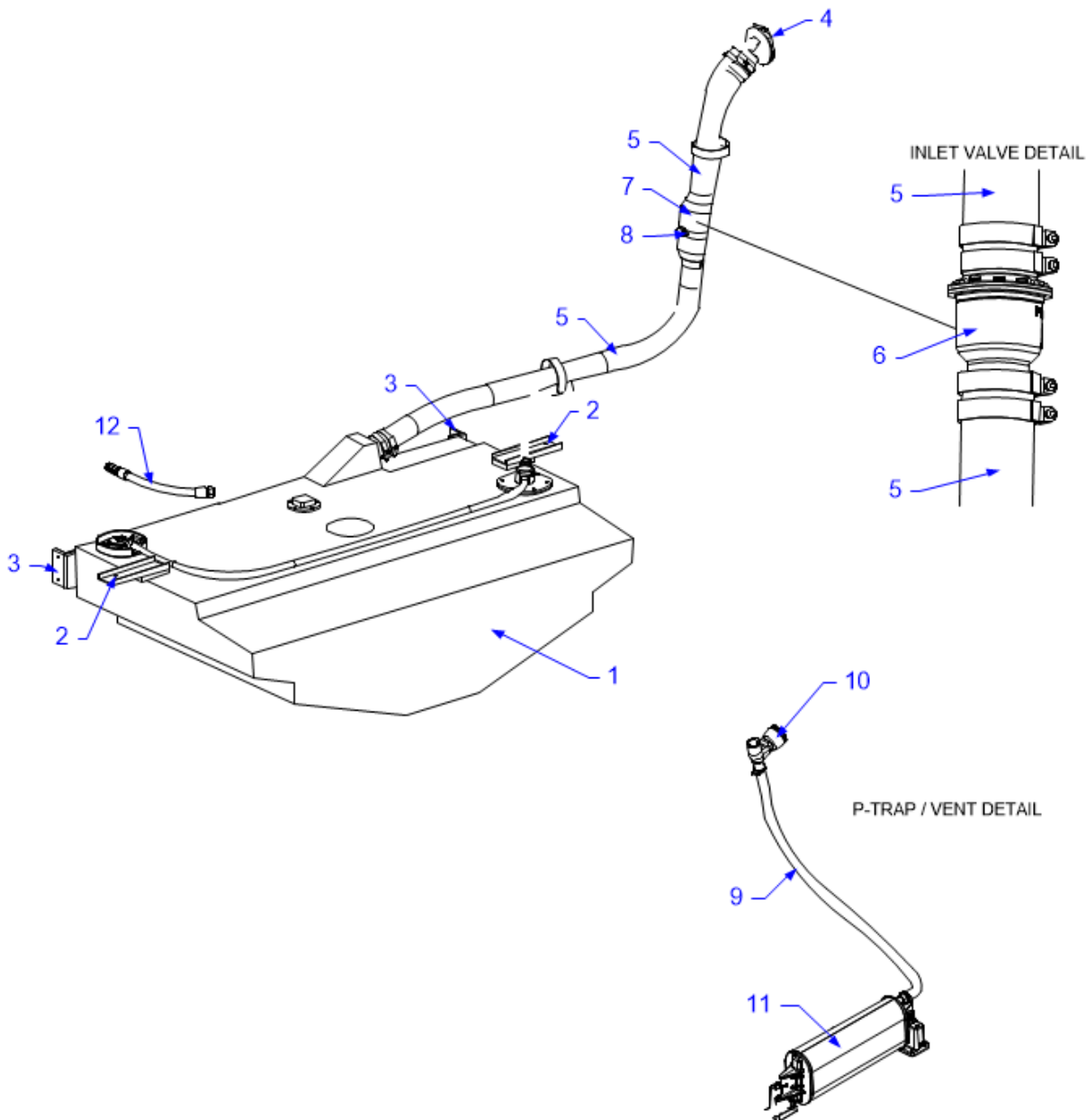
6 1443191

Used with ELEVATION PACKAGE OPTION
EMBLEM, S/R WAVE 5" OVAL CHR TRNSM
Used with ELEVATION PACKAGE OPTION

EXTERIOR (WINDSHIELD)**EXTERIOR (WINDSHIELD)**

1	2184867	W/S, 19/21SPX/O-15 PRT SIDE MATTE BLK
2	2184861	W/S, 19/21SPX/O-15 PRT FRNT MATTE BLK
3	2184868	W/S, 19/21SPX/O-15 CTR PNL W/HDWR KIT MATTBK
	1748281	LATCH, WINDOW ROTATING PLAS (Part of W/S Center Door Assembly)
	1906517	W/S, TOP TRIM BUMPER (Part of W/S Center Door Assembly)
	1897148	LATCH, W/S WALK THRU DOOR HLDR SS"
	2113591	BUMPER, W/S 1600040 (Round Head Bumper part of W/S Assembly)
	501528	BUMPER, BLACK SQUARE BUMPER
4	2184864	W/S, 19/21SPX/O-15 STB FRNT MATTE BLK
5	2184866	W/S, 19/21SPX/O-15 STB SIDE MATTE BLK
6	2210344	W/S, 19/21SPX SUPPORT BARS BLK (Part of W/S Assembly)
7	1944657	VINYL, W/S GASKET REV 1 (BETWEEN W/S FRAME AND DECK)

FUEL SYSTEM



FUEL SYSTEM

1	2222617	TANK, FUEL 19SPX-16 32/29G NYPEX CC ROCH
	2227052	SENDING UNIT, FUEL (TANK 2222617)
		(Part of Fuel Tank Assembly 2222617)
	1497452	TAPE, FOAM NEOPRENE W/3M 9828 3/8"TH X 2"W
2	1794192	BRACKET, FUEL TANK 2"X 6"X 1/2"X 1/8"
3	836122	BRACKET, PVC 1.5"X 1.5"X 3" 3/16"HOLES
4	2063709	DECK FILL, GAS CHR CC 30DG W/1.5"BARB EVAPEPA
5	2025659	HOSE, FUEL 1.5" TYPE A CLASS 2 (TURKEY)
6	2063700	VALVE, PLAS FUEL INLET CNTRL 1.5"BARB EVAP
7	2063701	INSULATION, INLET CNTRL VALVE HEATSHLD EVAP
8	123539	CLAMP, HOSE #48 1 5/8"-3.5"SS
9	123778	HOSE, FUEL 5/8" TYPE A CLASS 1 ISO/CE
10	2063628	VENT, FUEL SS 5/8"90DEG FLSH MNT P-TRAP

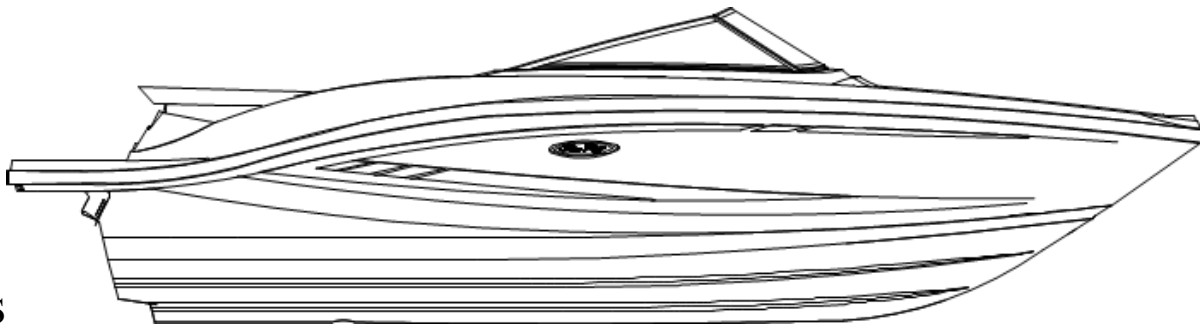
11	2093933	VENT, CC 9"70G<26'110G>26'5/8"HSLD EVAP EPA
12	1978987	HOSE, FUEL 3/8"TYPE A1-15 ISO/CE/CARB
	1819807	FERRULE, FUEL LINE 3/8"HOSE .775"X 1"
	2028045	FITTING, BRASS 3/8"BARB X 3/8"SAE(#6)HD FEM
	1704749	FITTING, BRASS 3/8" X 3/8" ADAPTOR
13	1978990	HOSE, FUEL 5/16"TYPE A1-15 ISO/CE/CARB

CLAMPS

	123398	CLAMP, HOSE #06M 5/16"-7/8"SS MINI
	256677	CLAMP, HOSE #12 1/2"-1.25" SS .505
	256693	CLAMP, HOSE #24 1"-2"SS .505
	2262636	CLAMP, LOOM 1"SS (304) W/EPDM CUSH
	2262637	CLAMP, LOOM 2"SS (304) W/EPDM CUSH
	2262638	CLAMP, LOOM 2.5"SS (304) W/EPDM CUSH

SPLIT CONDUIT

	1501840	HOSE, CONDUIT/SPLIT 1" FLAME RETARDANT
--	---------	--



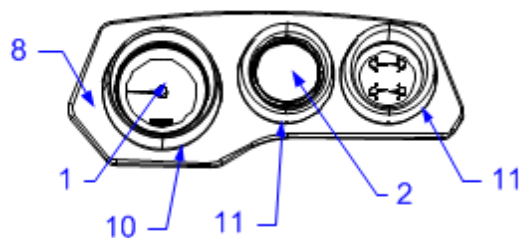
GELCOATS

GELCOATS

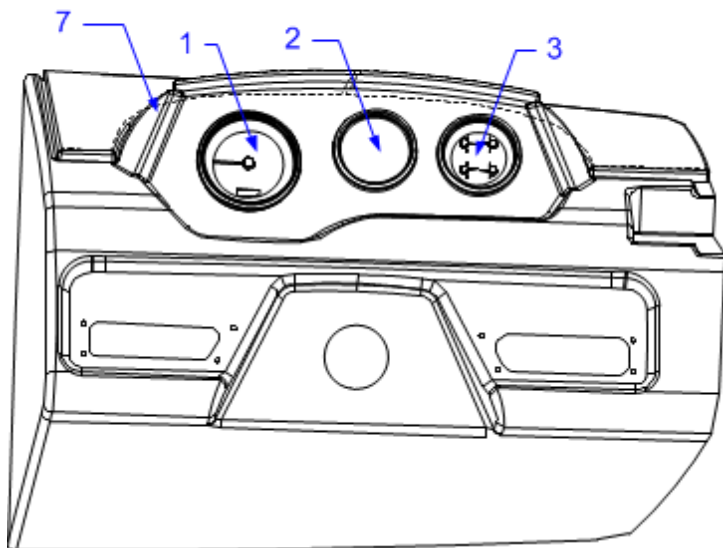
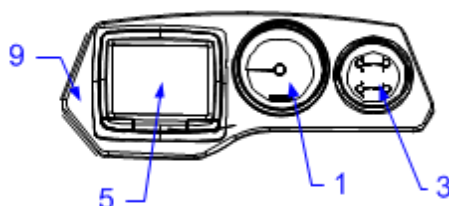
2061888	GEL COAT, ARCW WG-MP-1949RY
2061871	GEL COAT, MAXGUARD BLK BG-NCP-0066RY BLACK HULL SIDES WITH WHITE BOTTOM
2061881	GEL COAT, MAXGUARD VIBRANT BLUE LG-NCP-2469RY FATHOM BLUE HULL SIDES WITH WHITE BOTTOM
2225467	GEL COAT, MOJAVE TAN2 MAXGUARD NC NCP 5355RY TAN HULL SIDES WITH WHITE BOTTOM
2225468	GEL COAT, SEA RAY BLUE MAXGUARD LG NCP 4077RY S.R. BLUE HULL SIDES WITH WHITE BOTTOM
2126305	GEL COAT,RALLY RED MAX RG NCP 2041TN (Red)
2064845	GEL COAT, MAX SHADE OF NIGHT NG NCP 4549TN (Dash)
2165292	GEL COAT, ARCW INT BILGE WG-11-1949RY (Bilge/Storage/Bulkheads)

INSTRUMENT PANEL

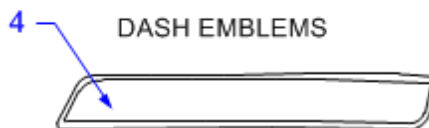
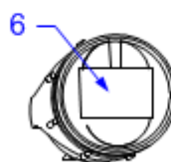
SELECT PACKAGE OPTION



CHARTPLOTTER OPTION



DEPTH FINDER OPTION



INSTRUMENT PANEL

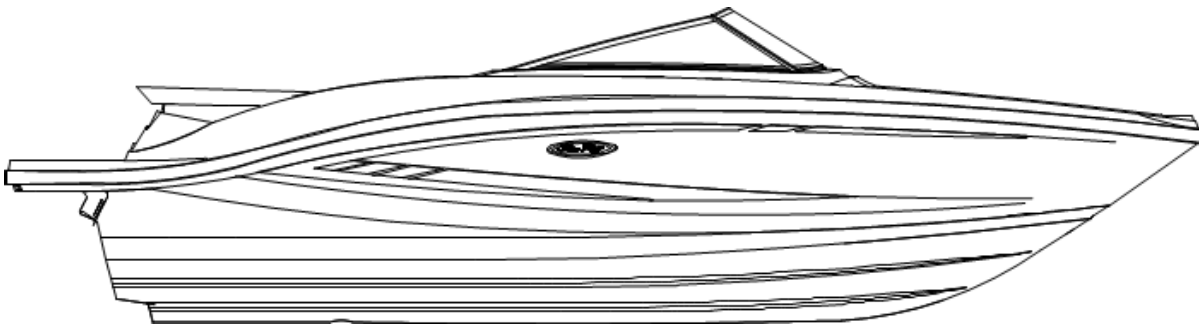
1	2146373	GAUGE, TACH/HRMTR 7K 5" FARIA ANALOG SR SB
2	2146377	GAUGE, SPEEDO 4"65 MPH FARIA ANAOLG SR SB
	2153219	ACC PART, PRFCT PASS STAR GAZER V6 KIT Used with PERFECT PASS SPEED CONTROL OPTION
	1809616	ACC PART, PRFCT PASS IN-DASH DISPLAY (Part of 2153219)
3	2146376	GAUGE, 4/1 TRIM/OIL/WTR/FUEL 4"FARIA ANLG
4	2157253	EMBLEM, SPX DASH "ALL SPORT" CHROMAX Used with ALLSPORT PACKAGE OPTION
	2157255	EMBLEM, SPX DASH "ELEVATION" CHROMAX Used with ELEVATION PACKAGE OPTION
	2157254	EMBLEM, SPX DASH "SELECT" CHROMAX Used with SELECT PACKAGE - SAHARA OPTION Used with SELECT PACKAGE - COGNAC OPTION
5	2109554	NAVIGATION DISPLAY, RAYMARINE A67 SNDR
	2079027	TRANSDUCER, P58 TRNSM MNT Used with CHARTPLOTTER / FISHFINDER A67 WIFI OPTION
	126870	VENT, CLAMSHELL ROPE LCKR 1 5/8"X 1.5" Used with CHARTPLOTTER / FISHFINDER A67 WIFI OPTION
6	2148433	GAUGE, DEPTH 2"FARIA SR SB W/SS BEZEL Used with COMFORT PACKAGE OPTION
	1915584	TRANSDUCER, T-HULL AIRMAR 235KHZ DEPTH

- 7 2206181 SHROUD, DASH 19/21SPX-15 UPGR PROTOGE/CREAM
Used with SELECT PACKAGE - SAHARA OPTION
- 2192810 SHROUD, DASH 19/21SPX-15 UPGR PROTOGE/EMP TAN
Used with SELECT PACKAGE - COGNAC OPTION
- 8 2192805 PANEL, BLANK:19/21SPX-15 INST SELECT UPGRADE
Used with SELECT PACKAGE OPTIONS
- 9 2192804 PANEL, BLANK:19/21SPX-15 INST SELECT/PLOTTER
Used with COGNAC-SELECT PKG CHRTPLT OPTIONS|Used with SAHARA SELECT PKG CHARTPLOTTER OPTIONS
- 10 1957065 BEZEL, 5" GAUGE 4/1 SPCR ABS CHR
Used with SELECT PACKAGE - SAHARA OPTION|Used with SELECT PACKAGE - COGNAC OPTION
- 11 1957061 BEZEL, 3" GAUGE SPCR ABS CHR
Used with SELECT PACKAGE - SAHARA OPTION|Used with SELECT PACKAGE - COGNAC OPTION

ELECTRICAL (MISCELLANEOUS)

- 1771022 ACC PART, MERC ALARM BUZZER W/HARNESS W/CONN
(NOT AVAILABLE ON COMPASS - MUST ORDER FROM MERCURY - 8M0045689)

LABELS & DECALS



LABELS & DECALS

1791388	DECAL, MERCURY CERTIFIED INSTALLER
2214979	DECAL, SEA RAY OWNERS CLUB (NBOA) OVAL 6"X 4"
1750455	DECAL, STRUCTURAL WARRANTY SPRTBT
1811368	LABEL, DANGER CO HELM 06
1811367	LABEL, DANGER CO TRANSOM 06
2027317	LABEL, DANGER SHUTOFF ENG NEAR SWIMMER P/VYNL
2027314	LABEL, DANGER/WARNING COMBO CNTRLSTA POLY/VNL
129122	LABEL, NMMA CERTIFIED
2028938	LABEL, NOTICE FIRE EXT SYS 100 CU FT POLY/VYL
1816105	LABEL, PROP LABEL/SLIT NUMBERS Q.C.
1942862	LABEL, REMOVE W/S SPACER 1.75"X 1/2"
2028926	LABEL, SKI TOW ROPE BACKLASH POLY/VINYL
2027310	LABEL, STAY CLR OF MOVING PARTS ON ENG POLY/V
2028928	LABEL, SUNPAD WARNING UNDERWAY POLY/VINYL
2159505	LABEL, TRANSHIELD SER LOGO 5.5"X 11"
2184521	LABEL, WARNING FUEL/ETHANOL/FLAME/PRESSURE
2027311	LABEL, WARNING LEAKING FUEL POLY/VNYL
2040555	LABEL, WARNING PYHY FIRE EXT PORT POLY/VINYL
2151023	PLATE, CAP NMMA SER 11/1550/1650 19SPX-15
2083356	TAG, MINIMUM BATTERY REQUIREMENTS
2028927	LABEL, CHECK BATT CELL FLUID LEVEL Used with ALL SPORTS PACKAGE OPTION
2029123	LABEL, LTD VIS OPERATE STANDING POLY/VINYL Used with ALL SPORTS PACKAGE OPTION
2031217	LABEL, DO NOT OCCPY SEAT OVER 5MPH POLY/VINYL Used with ALLSPORT PACKAGE OPTION
2064165	LABEL, WARNING SECURE UNOCCUPIED SEAT PLY/VNL Used with ALLSPORT PACKAGE OPTION
2228340	PLATE, BUILD AU SER 11/703/748 19SPX-16 Used with AUSTRALIA / NEW ZEALAND OPTION
2063376	LABEL, NOTICE AUTO HALON SYSTEM POLY/VNYL Used with C E FIRE SYSTEM OPTION
2038976	LABEL, PORTABLE FIRE EXT LOCATION POLY/VINYL Used with C E OPTION GROUP OPTION
2166632	PLATE, CE SEA RAY CAT C/8PERSON/695KG Used with C E OPTION GROUP

2063413 LABEL, PREVENT DISCHARGE OF POLLUTANTS POL/VL
Used with C E OPTION GROUP

2175077 LABEL, WARNING LEAKING FUEL INSPECT CANADIAN
Used with CANADIAN CONFORMITY STICKER OPTION

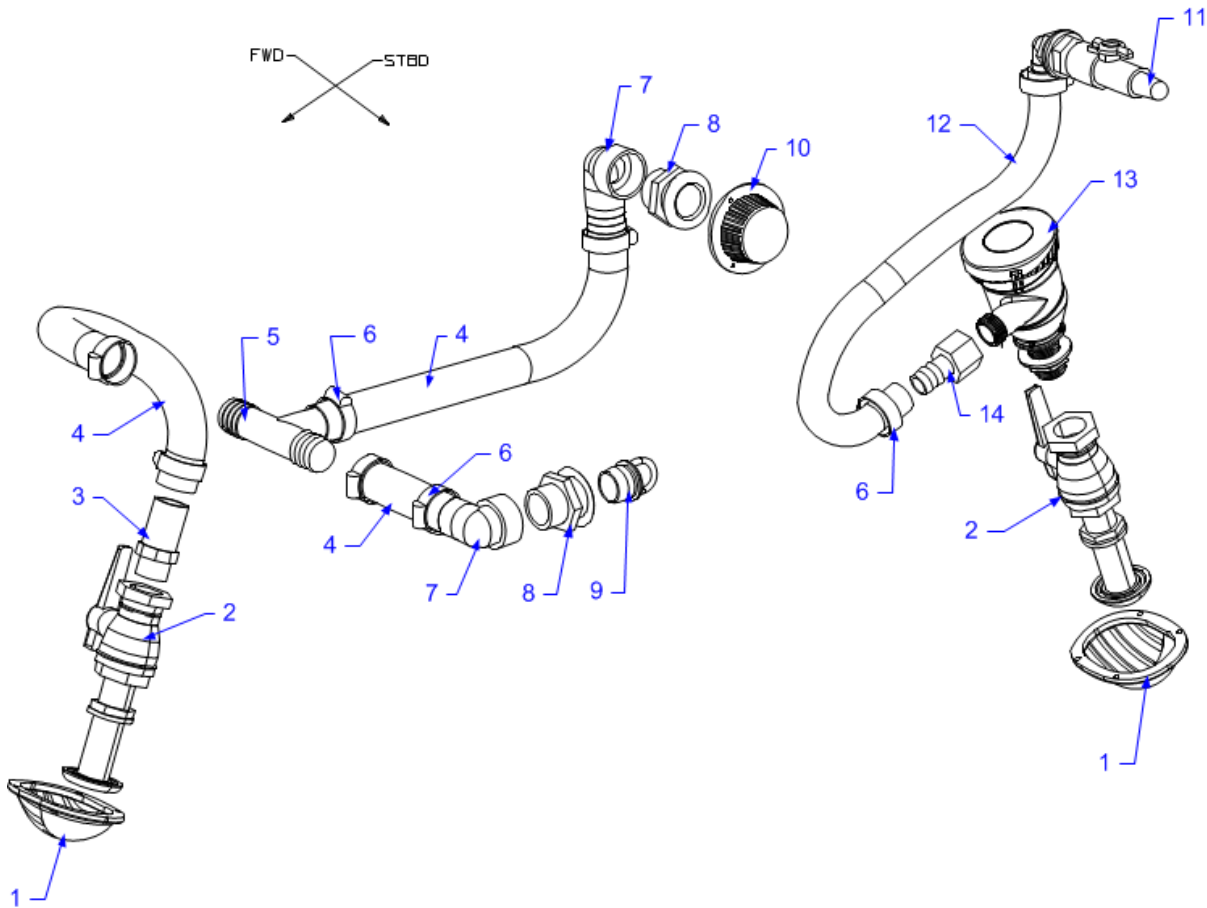
2175075 LABEL, GAS VAPORS EXPLODE RUN BLOWER CANADIAN
Used with CANADIAN CONFORMITY STICKER OPTION

2166634 PLATE, CAP CANADIAN SER 8/695 19SPX-15
Used with CANADIAN CONFORMITY STICKER OPTION

2063346 LABEL, CAUTION BATT SW OFF/ALT DAMAGED POL/VN
Used with COMFORT PACKAGE OPTION

2186484 PLATE, NMMA SER 11/1550/1650 19SPX-15 NO EPA
Used with EXPORT PACKING - INTERNATIONAL OPTION

2144651 LABEL, STEREO 1.5"X 1/4"BLK WHT TXT RND EDGES
Used with PREMIER STEREO UPGRADE OPTION

LIVEWELL, AFT**LIVEWELL, AFT**

1	995589	STRAINER, MARELON 3/4" SCREEN ONLY Used with ALL SPORTS PACKAGE OPTION
2	1815493	VALVE, MARELON BALL 3/4" W/MUSHROOM THRU-HULL Used with ALL SPORTS PACKAGE OPTION
3	1701151	ADAPTER, PLAS 1 1/8" BARB X 3/4" MPT BLK Used with ALL SPORTS PACKAGE OPTION
4	1692923	HOSE, CORR VAC 1 1/8" PVC BILGE ALLSPORT PACKAGE
5	1583079	TEE, PVC 1 1/8" ALL BARB Used with ALL SPORTS PACKAGE OPTION
6	256693	CLAMP, HOSE #24 1"-2" SS .505
7	1701684	ELBOW, ACETAL 1 1/8" FPT X 1 1/8" BARB 90DEG Used with ALL SPORTS PACKAGE OPTION
8	1701832	DRAIN ASSEMBLIES, FITTING 1 1/8" X 1.5" Used with ALL SPORTS PACKAGE OPTION
9	2080700	PLUG, DRAIN 1" BLK RUBBER Used with ALL SPORTS PACKAGE OPTION
10	2081337	SCREEN, POLY DRAIN STRAINER BLK Used with ALL SPORTS PACKAGE OPTION
11	168252	BAITWELL AERATOR HEAD, W/VALVE Used with ALL SPORTS PACKAGE OPTION
12	123885	HOSE, CORR BILGE 3/4" BLK Used with ALL SPORTS PACKAGE OPTION

13 1820549

PUMP, TSUNAMI 500 CARTRIDGE AERATOR

Used with ALL SPORTS PACKAGE OPTION

14 1799331

ADAPTER, ACETAL 3/4" FMT X3/4" BARB AERATOR

Used with ALL SPORTS PACKAGE OPTION

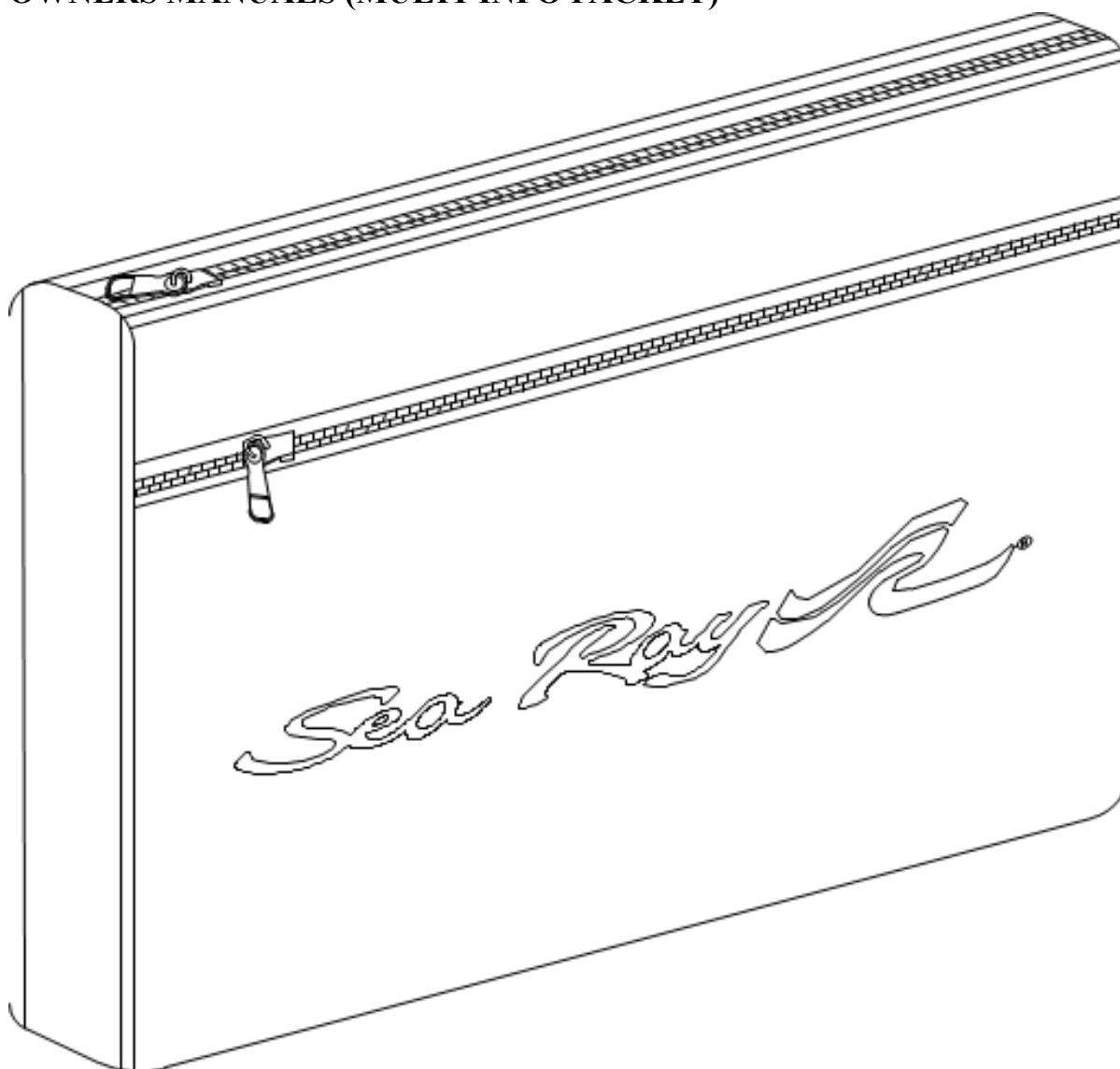
HARNESSES

2146370

HARNESSES, 19/21SPX/O-15 LIVEWELL

Used with ALL SPORTS PACKAGE OPTION

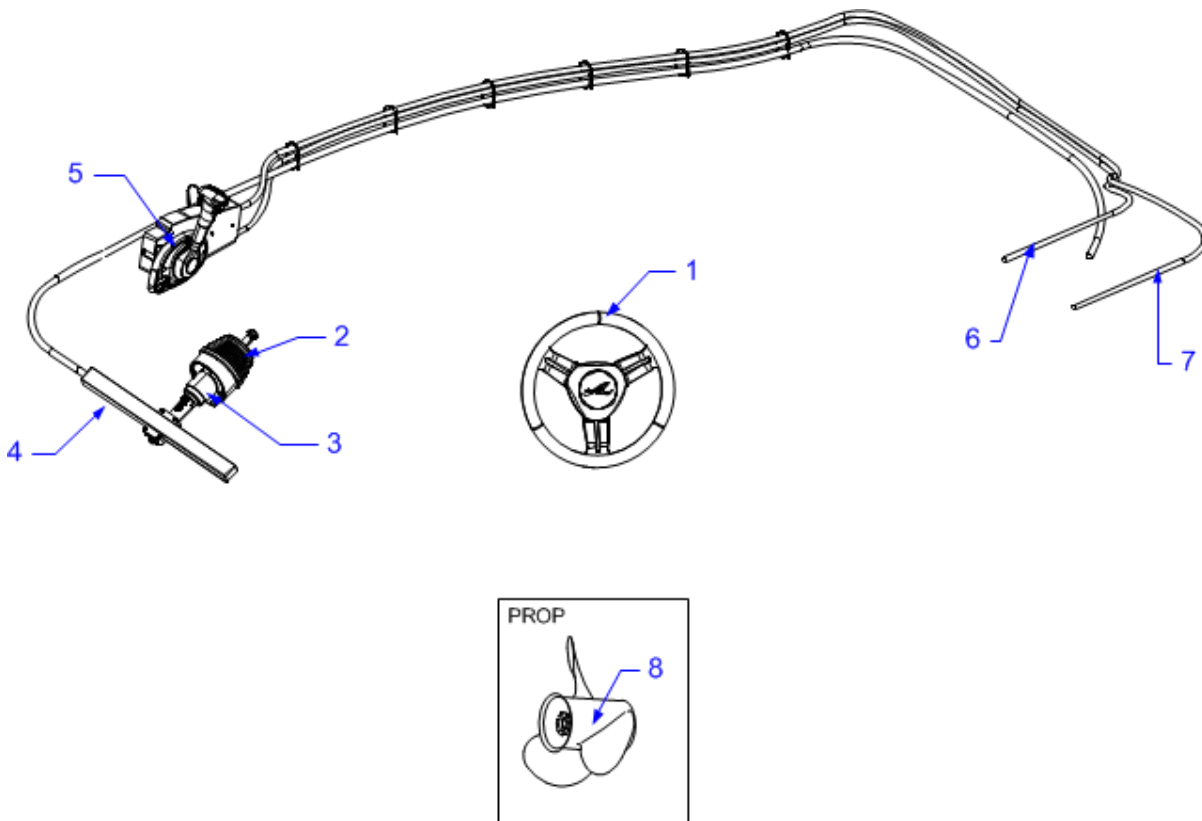
OWNERS MANUALS (MULTI-INFO PACKET)



OWNERS MANUALS (MULTI-INFO PACKET)

2262929	PACKET, MULTI INFO SER SPRT BOAT N/OWN MNL-17
2150996	MANUAL, OWNERS SER 19SPX-15 (Supplied by Plant - Not Part of Multi-Info Packet 2214989)
2030191	MANUAL, OWNERS SPORT BOAT SEA RAY KEN COOK (Supplied by Plant - Not Part of Multi-Info Packet 2214989)
1691479	MANUAL, OWNERS - SEA RAY INT'L 12-LANGUAGE Used with C E OPTION GROUP (Supplied by Plant - Not Part of Multi-Info Packet 2214989)
434191	CARD, NAVIGATIONAL INTERNATIONAL Used with EXPORT PACKING - INTERNATIONAL OPTION (Supplied by Plant - Not Part of Multi-Info Packet 2214989)
1880468	CHECK LIST, INT'L DISCLOSURE SPBT/SPCRUSR '11 Used with INTERNATIONAL IN-SERVICE CHECKLIST OPTION (Supplied by Plant - Not Part of Multi-Info Packet 2214989)

STEERING SYSTEM



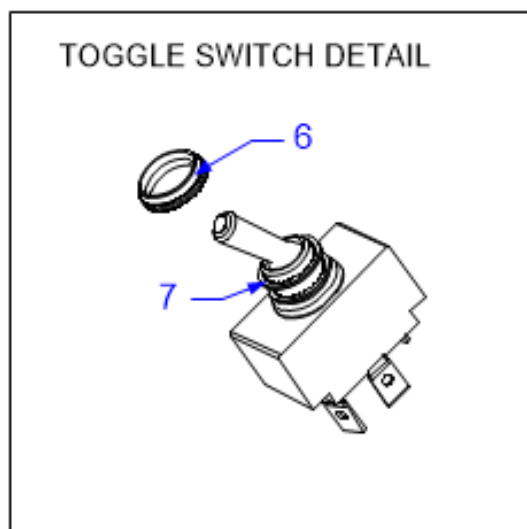
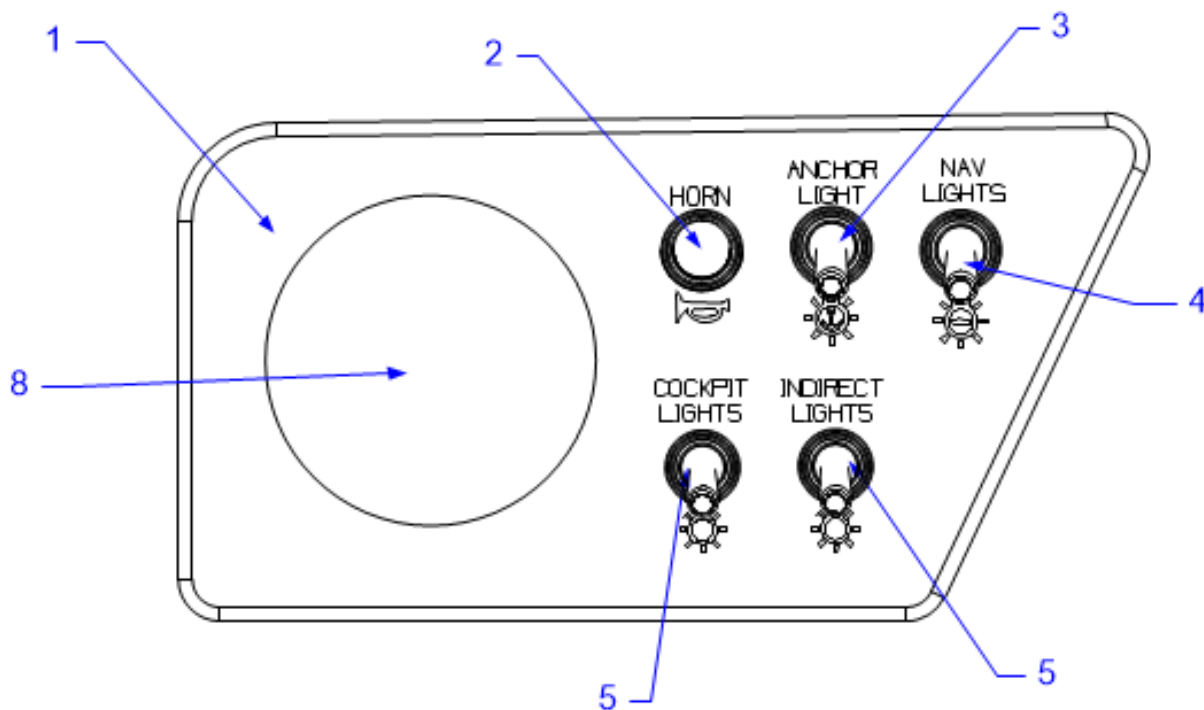
STEERING SYSTEM

1	2109440	STEERING WHEEL, #15 BLK/ANOD SLT SPOKE KEYED (Standard Wheel)
	2133506	STEERING WHEEL, CTR CAP ONLY (Part of 2109440)
	2076935	STEERING WHEEL, FIUME INS ALUM 3-SPK WD MATTE Used with SELECT PACKAGE OPTIONS
	2087532	CAP, STEER WHEEL CTR ALUM (Part of 2076935)
	2087529	EMBLEM, STEERING WHEEL SR LOGO ALUM (Part of 2076935)
2	1823728	STEERING, PRO-SERIES PERFORMANCE TILT MECH
3	1092246	STEERING, TILT HELM BACK-MNT
4	1091842	STEERING, BACK MNT RACK/CABLE 15.0' ASSY
5	1943542	CONTROL, SIDE MNT PISTOL GRIP 4000 GEN II CHR
6	1848856	CABLE, CNTRL MERC GEN II PLAT 12'
7	1804039	CABLE, CNTRL MERC GEN II PREMIUM 14'
8	1822905	PROP, MERC 14.5"X 19"ALUM BLK MAX
	1701457	PROP, ALUM 15"X 17" BLACK MAX
	1874918	PROP, SS 13 3/4"X 20" RH ENERTIA

CLAMPS

757906	CLAMP, HOSE SPRING 1/4" OD SELF TIGHTENING SS
1700355	CLAMP, HOSE 1 3/8" SS

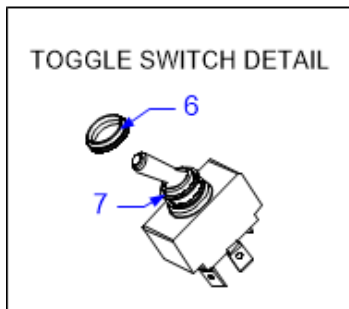
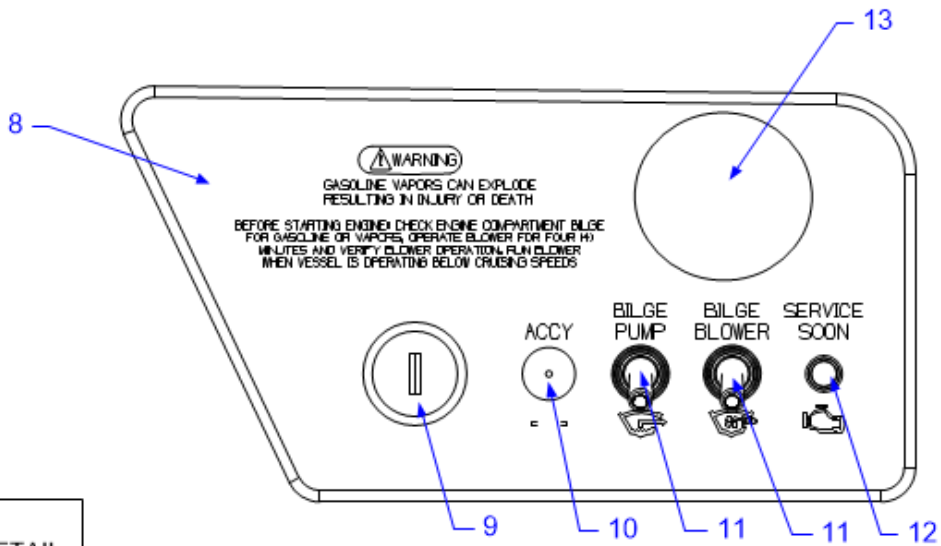
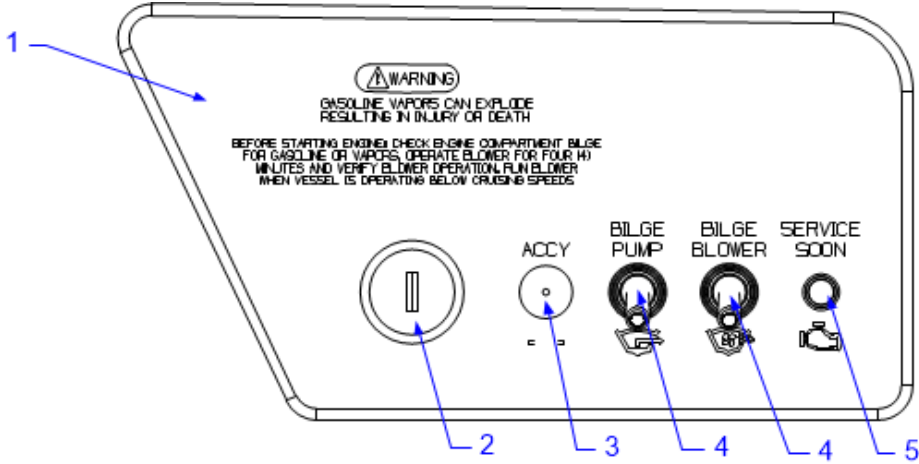
ALLSPORT PACKAGE

SWITCH PANEL (PORT)**SWITCH PANEL (PORT)**

1	2229673	PANEL, 19/21SPX-17 SW PRT
	762955	SWITCH, HORN
	1944875	SWITCH, TOGGLE CHR W/BLUE IND SPST
	137802	PLUG, HOLE 1/2" BLK
	1761354	SWITCH, TOGGLE CHR W/BLUE IND DPST
	1787018	NUT, NICKEL FOR TOGGLE SWITCH (Part of Panel Assembly)
	1737371	WASHER, LOCK INT TOOTH NCKL PLATED
	2229674	PANEL, BLANK:19/21SPX-17 SW PRT (Part of 2229673)
	2229704	PANEL, 19/21SPX-17 SW PRT SELECT UPGRADE

		Used with SELECT PACKAGE - SAHARA Used with SELECT PACKAGE - COGNAC OPTION
	2236658	PANEL, BLANK:19/21SPX-17 SW PRT SELECT UPGR (Part of 2229704)
2	762955	SWITCH, HORN (Part of Panel Assembly)
3	1761354	SWITCH, TOGGLE CHR W/BLUE IND DPST (Part of Panel Assembly)
4	1944875	SWITCH, TOGGLE CHR W/BLUE IND SPST (Part of Panel Assembly)
5	137802	PLUG, HOLE 1/2" BLK (Part of Panel Assembly)
	1944875	SWITCH, TOGGLE CHR W/BLUE IND SPST (Part of Panel Assembly)
6	1787018	NUT, NICKEL FOR TOGGLE SWITCH (Part of Panel Assembly)
7	1737371	WASHER, LOCK INT TOOTH NCKL PLATED (Part of Panel Assembly)
8	2216849	STEREO, ROCKFORD FOSGATE PMX-2 W/ADAPTER HRNS
	2187069	VIDEO EQUIPMENT, ROCKFORD FOSGATE PAUX JCK
	1581560	ANTENNA, AMPLIFIED 13398
	2241731	CABLE, RCA AUDIO 30'
		Used with PREMIER AUDIO UPGRADE OPTION
	2246995	HARNESS, 19/21SPX-17 STEREO UPGRADE Used with PREMIER AUDIO UPGRADE OPTION

SWITCH PANEL (STARBOARD)



SWITCH PANEL (STARBOARD)

1	2238133	PANEL, 19/21SPX-17 SW STB
	2238134	PANEL, BLANK:19/21SPX-17 SW STB (Blank Panel - Part of 2238133)
	2229707	PANEL, 19/21SPX-17 SW STB SELECT UPGRADE Used with SELECT PACKAGE - SAHARA Used with SELECT PACKAGE - COGNAC OPTION
	2229705	PANEL, BLANK:19/21PX-17 SW STB SELECT UPGRADE (Part of 2229707)
2	1409366	SWITCH, IGN STARTER (Part of Panel Assembly)
3	137802	PLUG, HOLE 1/2" BLK

		(Part of Panel Assembly)
4	1944875	SWITCH, TOGGLE CHR W/BLUE IND SPST
		(Part of Panel Assembly)
5	2065589	LIGHT, INDICATOR LED AMBER 14V RND
		(Part of Panel Assembly)
	137786	PLUG, HOLE 5/16" BLK
		Used with 3.0L TKS A, 4.3L MPI A1, 4.5L MPI A1 OPTIONS
6	1787018	NUT, NICKEL FOR TOGGLE SWITCH
		(Part of Panel Assembly)
7	1737371	WASHER, LOCK INT TOOTH NCKL PLATED
		(Part of Panel Assembly)
8	2229671	PANEL, 19/21SPX-17 SW STB W/DEPTH
		Used with DEPTH FINDER OPTION
	2229672	PANEL, BLANK:19/21SPX-17 SW STB W/DEPTH
		(Blank Panel Only - Part of 2229671)
9	1409366	SWITCH, IGN STARTER
		(Part of 2229671)
10	137802	PLUG, HOLE 1/2" BLK
		(Part of 2229671)
11	1944875	SWITCH, TOGGLE CHR W/BLUE IND SPST
		(Part of 2229671)
12	2065589	LIGHT, INDICATOR LED AMBER 14V RND
		(Part of 2229671)
13	2148433	GAUGE, DEPTH 2"FARIA SR SB W/SS BEZEL
		Used with DEPTH FINDER OPTION
	1915584	TRANSDUCER, T-HULL AIRMAR 235KHZ DEPTH
		Used with DEPTH FINDER OPTION

2017 19SPX**OPTIONS****3.0L TKS A1 & 2.40:1 OUTDRIVE**

1106228 OUTDRIVE, MERC ALPHA 2.4:1 HI-ALT

3.0L TKS A1 (135 PHP) CANADA & INTL ONLY

1698518 VINYL FILM, UPH SLIP FILM .007MIL

3100 LB SINGLE AXLE / SINGLE DISC (GALV)

2229488 TRAILER, SR-3100-DB-78-ST GALV

3400 LB SINGLE AXLE / SINGLE DISC (GALV)

2229493 TRAILER, SR-3400-DB-78-ST GALV

3400 LB SINGLE AXLE / SINGLE DISC (PAINT)

2229489 TRAILER, SR-3400-DB-78-ST BLK TXT

4.3L MPI A1 (180HP) CANADA & INT'L ONLY

1698518 VINYL FILM, UPH SLIP FILM .007MIL

4.3L MPI A1 (180HP) USA ONLY N/A IN CALF

137786 PLUG, HOLE 5/16" BLK

2110889 CONN, RING 2GA X 3/8R BATT/CBL COP PLTD CLSD

1042258 HEAT SHRINK, TUBING RED 1/2"X 6"

1791388 DECAL, MERCURY CERTIFIED INSTALLER

1816105 LABEL, PROP LABEL/SLIT NUMBERS Q.C.

2083356 TAG, MINIMUM BATTERY REQUIREMENTS

2110871 CONN, BATT LUG 2GA NEG W/NUT/BOLT

130781 CABLE, BATT RED #2AWG

130799 CABLE, BATT BLK #2AWG

1042225 HEAT SHRINK, TUBING BLK 1/2"X 6"

2110872 CONN, BATT LUG 2GA POS W/NUT/BOLT

1090869 OUTDRIVE UNIT, MERC ALPHA 1.62:1

1701457 PROP, ALUM 15"X 17" BLACK MAX

1698518 VINYL FILM, UPH SLIP FILM .007MIL

4.3L MPI A1 (180PHP) & 1.81:1 OUTDRIVE

1076082 OUTDRIVE UNIT, MERC ALPHA 2.0:1

4.3L MPI A1 (20 58) & ELEVATION PACKAGE

1874918 PROP, SS 13 3/4"X 20" RH ENERTIA

4.3L MPI A1 (220PHP) & 1.81:1 OUTDRIVE

1076918 OUTDRIVE UNIT, MERC ALPHA 1.81:1

4.3L MPI A1 (220PHP) & 1.81:1 OUTDRIVE

1076918 OUTDRIVE UNIT, MERC ALPHA 1.81:1

4.3L MPI A1 (220PHP) CANADA & INT'L ONLY

1698518 VINYL FILM, UPH SLIP FILM .007MIL

4.3L TKS A1 (190PHP) & 1.81:1 OUTDRIVE

1076082 OUTDRIVE UNIT, MERC ALPHA 2.0:1

4.3L TKS A1 (20 46) & ELEVATION PACKAGE

1874918 PROP, SS 13 3/4"X 20" RH ENERTIA

4.3L TKS A1 (20 547) & ELEVATION PACKAGE

1874918 PROP, SS 13 3/4"X 20" RH ENERTIA

4.5L MPI A1 (200 PHP) CANADA & INT'L ONLY

137786 PLUG, HOLE 5/16" BLK

2110889 CONN, RING 2GA X 3/8R BATT/CBL COP PLTD CLSD

1042258 HEAT SHRINK, TUBING RED 1/2"X 6"

1791388 DECAL, MERCURY CERTIFIED INSTALLER

1816105 LABEL, PROP LABEL/SLIT NUMBERS Q.C.

2083356 TAG, MINIMUM BATTERY REQUIREMENTS
 2110871 CONN, BATT LUG 2GA NEG W/NUT/BOLT
 130781 CABLE, BATT RED #2AWG
 130799 CABLE, BATT BLK #2AWG
 1042225 HEAT SHRINK, TUBING BLK 1/2"X 6"
 2110872 CONN, BATT LUG 2GA POS W/NUT/BOLT
 1090869 OUTDRIVE UNIT, MERC ALPHA 1.62:1
 1822905 PROP, MERC 14.5"X 19"ALUM BLK MAX
 1698518 VINYL FILM, UPH SLIP FILM .007MIL

5000 LB DUAL AXLE / DUAL DISC (GALV)

2229502 TRAILER, SRT-5000-TDB-78-AF-ST GALV 19SPX

5000 LB DUAL AXLE / DUAL DISC (PAINT)

2229500 TRAILER, SRT-5000-TDB-78-AF-ST BLK TXT 19SPX

5000 LB DUAL AXLE / SINGLE DISC (GALV)

2229498 TRAILER, SRT-5000-DB-78-AF-ST GALV 19SPX

5000 LB DUAL AXLE / SINGLE DISC (PAINT)

2229497 TRAILER, SRT-5000-DB-78-AF-ST BLK TXT 19SPX

5000 LB PREM. DUAL AXLE/SINGLE DISC (PAINT)

2229503 TRAILER, SRT-5000-DB-78-AF-ST BLK TXT UPGRADE

5000 LB PREM.TRLR W/ 2ND AXLE DISC BRKS PNT

2229504 TRAILER, SRT-5000-TDB-78-AF-ST BLK TXT UPGRD

ALL SPORT & MOORING COVER

2251897 CANVAS, 19SPX-16 MOOR CVR W/TRL MTR/BAG BLK

ALL SPORT & STD UPH. WHT/COGNAC

2043728 SNAP, BUTTON SS
 2030742 ZIPPER, #5 DELRIN CONTINUOUS PASKAL BLK
 2152533 SLIDE, #5 DELRIN ZIPPER PULL BLK
 2249142 H/S, 19/21-17 AERGO PROTEGE/TAN/PRL/PRL-TS
 2252662 SKIN KIT, 19SPX-17 ALSPT ALLOY/EMPIRE TAN

ALL SPORT PKG. & PREMIER AUDIO UPGRADE

2043728 SNAP, BUTTON SS
 2082138 SNAP, SOCKET SS
 2030742 ZIPPER, #5 DELRIN CONTINUOUS PASKAL BLK
 2152533 SLIDE, #5 DELRIN ZIPPER PULL BLK
 1457985 VENT, LOUVERED CHR W/SEA RAY LOGO (FACEPLATE)

ALL SPORT, MOORING COVER & ELEVATION PKG

2251898 CANVAS, 19SPX-16 MOOR CVR W/TRL MTR/TWR/BLK

ALLSPORT PACKAGE

1952082 HDPE, 1/4"X 48"X 96"AQUA-PLAS II LAV BLK
 2193849 PVC BOARD, (12MM)X4X8 WHT AP1 ULTRA FOAM VYCM
 1781434 LATCH, FLUSH MNT N/LOCKING SLAM SS
 1907894 CLIP, POLE STRG BLK - MAST LIGHT
 817676 BRACKET, SS LIFT CYL 90DEG 0.70" W/STUD RT
 1617281 BRACKET, BLSTR CKPT ANGLED 1/4" STND-OFF SS
 2022383 TRIM, PLAS BTM EDGE 7/8"W/ADHES BACKING ARCW
 2029123 LABEL, LTD VIS OPERATE STANDING POLY/VINYL
 2043728 SNAP, BUTTON SS
 2082138 SNAP, SOCKET SS
 123901 HOSE, CORR BILGE 1 1/8" BLK
 2028927 LABEL, CHECK BATT CELL FLUID LEVEL
 1854724 BATTERY TRAY, LRG SGL SERIES 31
 1042258 HEAT SHRINK, TUBING RED 1/2"X 6"
 2077037 VINYL, UNDERLINING BLK FLAT

1043371 THRU-HULL, PLAS 1 1/8" TUBE X 90DEG WHT
123885 HOSE, CORR BILGE 3/4" BLK
154369 SNAP STUD, #8 X 3/8" PH BR/NI/SS
2030742 ZIPPER, #5 DELRIN CONTINUOUS PASKAL BLK
2152533 SLIDE, #5 DELRIN ZIPPER PULL BLK
1787018 NUT, NICKEL FOR TOGGLE SWITCH
1737371 WASHER, LOCK INT TOOTH NCKL PLATED
1944875 SWITCH, TOGGLE CHR W/BUE IND SPST
2137488 CHARGER, BATT 12A 120VAC 2-BANK PRO SPRT G3
1835713 HOLDER, BATT CHARGER PLUG
1907508 LIGHT, BASE ROUND NAV STERN LIGHT CHR W/CONN
1628536 BULB, REPL FOR NAV LIGHT A/R NON LED
1734685 LIGHT, NAV A/R STERN 84" FLDABLE 7DEG
1185081 BRKR, SURF MNT THERMAL 50AMP MANUAL RESET
168252 BAITWELL AERATOR HEAD, W/VALVE
2064165 LABEL, WARNING SECURE UNOCCUPIED SEAT PLY/VNL
995589 STRAINER, MARELON 3/4" SCREEN ONLY
1815493 VALVE, MARELON BALL 3/4" W/MUSHROOM THRU-HULL
829432 BUSS BAR, DBL POST 5/16"
2080700 PLUG, DRAIN 1" BLK RUBBER
1810027 PEDESTAL, ALUM EXTENSION BENT 13"
1365550 LATCH, FLUSH T-HNDL N/LOCK W/OFF-SET CAM BLK
178491 VELCRO, LOOP BLK 2" SEW-ON
2186812 CANVAS, ALL SPRT PKG SEAT STRAP
964817 HINGE, SS 4"X 4" TOP MOUNT
2147394 HOLDER, DRINK PLAS W/SS BEZEL
1820549 PUMP, TSUNAMI 500 CARTRIDGE AERATOR
2110792 CONN, RING 6GA X 1/4R W/INSUL
135590 WIRE, 6GA AWG BLK
2150088 HARNESS, 19/21SPX-15 CABLE KIT TROLL MTR 24V
2151768 HATCH, ACCESS 13"X 17"N/LOCKING POLAR WHT
2157253 EMBLEM, SPX DASH "ALL SPORT" CHROMAX
2031217 LABEL, DO NOT OCCPY SEAT OVER 5MPH POLY/VINYL
2147566 SHELL, VENTURE FLDNG FISHING SEAT
2110796 CONN, RING 6GA X 5/16R W/INSUL
135608 WIRE, 6GA AWG RED
2152107 INSERT, HDPE 19SPX-15 FISH PKG STB BOW FILR
1947982 BASE PLATE, BW-09 VERTICAL FISH PED MOUNT
2105688 LIGHT, NAV RED/GRN 19" PLUG IN
2152109 INSERT, HDPE 19SPX-15 FSH PKG BOW CTR AFT FLR
2081337 SCREEN, POLY DRAIN STRAINER BLK
1499151 PLATE, STRIKER XL "L" SHAPED 316 SS
1799331 ADAPTER, ACETAL 3/4"FMT X3/4"BARB AERATOR
2152121 LID, HDPE 19/21SPX-15 LIVEWELL ARCW
1583079 TEE, PVC 1 1/8" ALL BARB
2152103 INSERT, HDPE 19SPX-15 FISH PKG PRT BOW FILR
1275726 VELCRO, HOOK BLK 2" ADH
2152115 INSERT, HDPE 19SPX-15 FSH PKG BOW CTR FWD FLR
2222545 FOAM, P/C FISHING SEAT CUSH/B/R
1701684 ELBOW, ACETAL 1 1/8"FPT X 1 1/8"BARB 90DEG
1969643 BASE, ZINC PLATED 7"X 7"PEDESTAL
1701151 ADAPTER, PLAS 1 1/8"BARB X 3/4"MPT BLK
2211135 FOAM, P/C 19SPX-16 BOW CUSH ALL SPORTS KIT
1820563 MOUNT, SEAT

1949282 PLUG KIT, TROLLING MTR 12/24V COMBO
 2146370 HARNESS, 19/21SPX/O-15 LIVEWELL
 1701832 DRAIN ASSEMBLIES, FITTING 1 1/8"X 1.5"
 2122635 HINGE, SS 1 1/16"X 10" PIANO
 1506492 LATCH, FLUSH MOUNT PULL WHT
 2071915 VINYL, EDGE/BLK FLAT
 2253079 HINGE, SS CONT 2"X 36"X .060"PLSHD
 2211134 FOAM, P/C 19SPX-16 AFT BNCHST
 1703826 SCREW, TAPPING #10 X 3/4" PTH SS
 1704781 SCREW, MACHINE #10-24 X 3/4" PTH SS
 2209119 VINYL FILM, 19 SPX/O W/FLD ARCH/TROLLING
 2199094 FOAM, P/C19SPX-15 SNPD ALLSPORTS 2PC
 1848215 TROLLING MOTOR, WR75 WIRELESS REMOTE 60"
 2152169 MOUNT, HDPE 19SPX-15 TRLNG MTR
 2061888 GEL COAT, ARCW WG-MP-1949RY
 1700355 CLAMP, HOSE 1 3/8" SS
 1543875 HOSE, CONDUIT/SPLIT 5/8" FLAME RETARDANT
 2252657 SKIN KIT, 19SPX-17 ALSPT ALLOY/BLK
 1692923 HOSE, CORR VAC 1 1/8" PVC BILGE

ALLSPORT PACKAGE & SELECT PACKAGE - COGNAC

1781446 LATCH, COMPRESSION 2.5"N/LOCKING SS
 1781448 PLATE, SHALLOW BRKT 2.5"W/HDWR PKG SS
 1940579 CATCH, PAWL 3.25"OFFSET MEDIUM SS

ALLSPORT PACKAGE & SELECT PACKAGE - SAHARA

1781446 LATCH, COMPRESSION 2.5"N/LOCKING SS
 1781448 PLATE, SHALLOW BRKT 2.5"W/HDWR PKG SS
 1940579 CATCH, PAWL 3.25"OFFSET MEDIUM SS

ALLSPORT PKG & C E OPTION GROUP

2214253 CHARGER, PROSPORT 12A 2 BANK

ALLSPORT PKG & STAINLESS STEEL UPGRADE OPTI

1812917 HOLDER, DRINK SS 4"X 3"MUG SZ PLSHD RIM
 1781446 LATCH, COMPRESSION 2.5"N/LOCKING SS
 1781448 PLATE, SHALLOW BRKT 2.5"W/HDWR PKG SS
 1940579 CATCH, PAWL 3.25"OFFSET MEDIUM SS

AUSTRALIA / NEW ZEALAND OPTION

2228340 PLATE, BUILD AU SER 11/703/748 19SPX-16

BATTERY ON / OFF SWITCH

2063346 LABEL, CAUTION BATT SW OFF/ALT DAMAGED POL/VN
 2110889 CONN, RING 2GA X 3/8R BATT/CBL COP PLTD CLSD
 1042258 HEAT SHRINK, TUBING RED 1/2"X 6"
 1726841 SWITCH, BATT ON/OFF N/LCK N/DISC RV1
 130781 CABLE, BATT RED #2AWG
 2110872 CONN, BATT LUG 2GA POS W/NUT/BOLT

BIMINI TOP & BOOT

2151982 CANVAS, 19SPX-15 BIM TOP BOOT W/EMB BLK
 2223474 CANVAS, 19SPX-16 BIM TOP MRN MDNT
 2151977 CANVAS, 19SPX-15 BIM TOP TOAST TWEED
 2151984 CANVAS, 19SPX-15 BIM TOP BOOT W/EMB TST TWEED
 2223475 CANVAS, 19SPX-16 BIM TOP BOOT W/EMB MRN MDNT
 2151980 CANVAS, 19SPX-15 BIM TOP BLK
 2173676 CANVAS, 19SPX-15 BIM TOP PAC BLUE
 2173675 CANVAS, 19SPX-15 BIM TOP BOOT W/EMB PAC BLUE
 2184101 CANVAS, 19SPX-15 BIM TOP FAB TOAST TWEED

2165194 CANVAS, 19SPX-15 BIM TOP FWD STRAP BLK
 2165195 CANVAS, 19SPX-15 BIM TOP BOW2 W/HDWR
 2165196 CANVAS, 19SPX-15 BIM TOP MAIN BOW W/HDWR
 2165197 CANVAS, 19SPX-15 BIM TOP BOW3 W/HDWR
 2165198 CANVAS, 19SPX-15 BIM TOP REAR STANCH
 2184100 CANVAS, 19SPX-15 BIM TOP FAB PAC BLUE
 2231246 CANVAS, 19SPX-16 BIM TOP FAB MRN MDNT

BIMINI TOP & BOOT W/COCKPIT COVER W/ TONNEA

2223482 CANVAS, 19SPX-16 BIM CPC W/SNAPS MRN MDNT
 2151997 CANVAS, 19SPX-15 BIM CPC W/SNAPS BLK
 2151998 CANVAS, 19SPX-15 BIM CPC W/SNAPS TOAST TWEED
 2173668 CANVAS, 19SPX-15 BIM CPC W/SNAPS PAC BLUE

BLACK BOTTOM & BLACK HULL SIDES

2061871 GEL COAT, MAXGUARD BLK BG-NCP-0066RY
 2157319 TAPE, 19SPX-15 MOLD MASK PRT LWR HULL
 2157318 TAPE, 19SPX-15 MOLD MASK STB LWR HULL

BLACK HULL SIDES WITH WHITE BOTTOM

2061871 GEL COAT, MAXGUARD BLK BG-NCP-0066RY

BLANK 3.0L A1 STERN DRIVE

2110889 CONN, RING 2GA X 3/8R BATT/CBL COP PLTD CLSD
 1042258 HEAT SHRINK, TUBING RED 1/2"X 6"
 2083356 TAG, MINIMUM BATTERY REQUIREMENTS
 2110871 CONN, BATT LUG 2GA NEG W/NUT/BOLT
 130781 CABLE, BATT RED #2AWG
 130799 CABLE, BATT BLK #2AWG
 1042225 HEAT SHRINK, TUBING BLK 1/2"X 6"
 2110872 CONN, BATT LUG 2GA POS W/NUT/BOLT

BLANK 4.3L A1 STERN DRIVE

2110889 CONN, RING 2GA X 3/8R BATT/CBL COP PLTD CLSD
 1042258 HEAT SHRINK, TUBING RED 1/2"X 6"
 2083356 TAG, MINIMUM BATTERY REQUIREMENTS
 2110871 CONN, BATT LUG 2GA NEG W/NUT/BOLT
 130781 CABLE, BATT RED #2AWG
 130799 CABLE, BATT BLK #2AWG
 1042225 HEAT SHRINK, TUBING BLK 1/2"X 6"
 2110872 CONN, BATT LUG 2GA POS W/NUT/BOLT

BLANK 4.3L MPI A1 STERN DRIVE

2110889 CONN, RING 2GA X 3/8R BATT/CBL COP PLTD CLSD
 1042258 HEAT SHRINK, TUBING RED 1/2"X 6"
 2083356 TAG, MINIMUM BATTERY REQUIREMENTS
 2110871 CONN, BATT LUG 2GA NEG W/NUT/BOLT
 130781 CABLE, BATT RED #2AWG
 130799 CABLE, BATT BLK #2AWG
 1042225 HEAT SHRINK, TUBING BLK 1/2"X 6"
 2110872 CONN, BATT LUG 2GA POS W/NUT/BOLT

BLANK 4.5L MPI A1 STERN DRIVE

2110889 CONN, RING 2GA X 3/8R BATT/CBL COP PLTD CLSD
 1042258 HEAT SHRINK, TUBING RED 1/2"X 6"
 2083356 TAG, MINIMUM BATTERY REQUIREMENTS
 2110871 CONN, BATT LUG 2GA NEG W/NUT/BOLT
 130781 CABLE, BATT RED #2AWG
 130799 CABLE, BATT BLK #2AWG
 1042225 HEAT SHRINK, TUBING BLK 1/2"X 6"

2110872 CONN, BATT LUG 2GA POS W/NUT/BOLT

C E FIRE SYSTEM

2147389 FIRE EXT SYS, FM200 150CF MAN/AUTO CMPCT R/LH

2063376 LABEL, NOTICE AUTO HALON SYSTEM POLY/VNYL

884916 WASHER, 190BR/CB 97 HALON SYSTEM LIGHT

2147320 HALON CABLE, MNL RLS CABLE X 14'RED

C E OPTION GROUP

2063346 LABEL, CAUTION BATT SW OFF/ALT DAMAGED POL/VN

2110889 CONN, RING 2GA X 3/8R BATT/CBL COP PLTD CLSD

1042258 HEAT SHRINK, TUBING RED 1/2"X 6"

2038976 LABEL, PORTABLE FIRE EXT LOCATION POLY/VINYL

2063413 LABEL, PREVENT DISCHARGE OF POLLUTANTS POL/VL

1691479 MANUAL, OWNERS - SEA RAY INT'L 12-LANGUAGE

1726841 SWITCH, BATT ON/OFF N/LCK N/DISC RV1

130781 CABLE, BATT RED #2AWG

2110872 CONN, BATT LUG 2GA POS W/NUT/BOLT

2122640 LATCH, SS H/D SLIDE BOLT W/STRIKE PLATE

2166632 PLATE, CE SEA RAY CAT C/8PERSON/695KG

2166113 DOOR, ACRY 19SPX-15 TRNSM W/HINGE ARCW

CANADIAN CONFORMITY STICKER

2175077 LABEL, WARNING LEAKING FUEL INSPECT CANADIAN

1691479 MANUAL, OWNERS - SEA RAY INT'L 12-LANGUAGE

2175075 LABEL, GAS VAPORS EXPLODE RUN BLOWER CANADIAN

2166634 PLATE, CAP CANADIAN SER 8/695 19SPX-15

CANVAS ENCLOSURE PACKAGE

2208149 CANVAS, SHARKSKIN SD GRY STRG BAG 12"X 38"

2151995 CANVAS, 19/21SPX-15 TONNEAU CVR TOAST TWEED

2223480 CANVAS, 19/21SPX-16 TONNEAU CVR MRN MDNT

2208148 CANVAS, SHARKSKIN SD GRY STRG BAG 10"X 70"

2173600 CANVAS, 19/21SPX-15 TONNEAU CVR PAC BLUE

2151994 CANVAS, 19/21SPX-15 TONNEAU CVR BLK

2151982 CANVAS, 19SPX-15 BIM TOP BOOT W/EMB BLK

2223474 CANVAS, 19SPX-16 BIM TOP MRN MDNT

2151977 CANVAS, 19SPX-15 BIM TOP TOAST TWEED

2151984 CANVAS, 19SPX-15 BIM TOP BOOT W/EMB TST TWEED

2223475 CANVAS, 19SPX-16 BIM TOP BOOT W/EMB MRN MDNT

2151980 CANVAS, 19SPX-15 BIM TOP BLK

2173676 CANVAS, 19SPX-15 BIM TOP PAC BLUE

2173675 CANVAS, 19SPX-15 BIM TOP BOOT W/EMB PAC BLUE

2184101 CANVAS, 19SPX-15 BIM TOP FAB TOAST TWEED

2165194 CANVAS, 19SPX-15 BIM TOP FWD STRAP BLK

2165195 CANVAS, 19SPX-15 BIM TOP BOW2 W/HDWR

2165196 CANVAS, 19SPX-15 BIM TOP MAIN BOW W/HDWR

2165197 CANVAS, 19SPX-15 BIM TOP BOW3 W/HDWR

2165198 CANVAS, 19SPX-15 BIM TOP REAR STANCH

2184100 CANVAS, 19SPX-15 BIM TOP FAB PAC BLUE

2231246 CANVAS, 19SPX-16 BIM TOP FAB MRN MDNT

2160458 CANVAS, 19SPX-15 SIDE CURT SET BLK

2223478 CANVAS, 19SPX-16 AFT CURT MRN MDNT

2163273 CANVAS, 19SPX-15 BIM CPC W/O SNAPS BLK

2223476 CANVAS, 19SPX-16 VSR CURT 3PC CLR/MRN MDNT

2163274 CANVAS, 19SPX-15 BIM CPC W/O SNAPS TST TWEED

2160460 CANVAS, 19SPX-15 VSR CURT 3PC CLR/BLK

2160461 CANVAS, 19SPX-15 VSR CURT 3PC CLR/TOAST TWEED

2223482 CANVAS, 19SPX-16 BIM CPC W/SNAPS MRN MDNT
 2160459 CANVAS, 19SPX-15 SIDE CURT SET TOAST TWEED
 2151997 CANVAS, 19SPX-15 BIM CPC W/SNAPS BLK
 2173667 CANVAS, 19SPX-15 AFT CURT PAC BLUE
 2151998 CANVAS, 19SPX-15 BIM CPC W/SNAPS TOAST TWEED
 2173664 CANVAS, 19SPX-15 VSR CURT 3PC CLR/PAC BLUE
 2173662 CANVAS, 19SPX-15 BIM CPC W/O SNAPS PAC BLUE
 2160455 CANVAS, 19SPX-15 AFT CURT BLK
 2160457 CANVAS, 19SPX-15 AFT CURT TOAST TWEED
 2173665 CANVAS, 19SPX-15 SIDE CURT SET PAC BLUE
 2173668 CANVAS, 19SPX-15 BIM CPC W/SNAPS PAC BLUE
 2223477 CANVAS, 19SPX-16 SIDE CURT SET MRN MDNT
 2165203 CANVAS, 19SPX-15 SIDE CURT PRT W/SNPS BLK
 2165205 CANVAS, 19SPX-15 SIDE CURT STB W/SNPS BLK
 2184114 CANVAS, 19SPX-15 SIDE CURT STB TOAST TWEED
 2184113 CANVAS, 19SPX-15 SIDE CURT PRT TOAST TWEED
 2165199 CANVAS, 19SPX-15 VSR CURT PRT CLR/BLK
 2165200 CANVAS, 19SPX-15 VSR CURT CTR CLR/BLK
 2165201 CANVAS, 19SPX-15 VSR CURT STB CLR/BLK
 2184112 CANVAS, 19SPX-15 VSR CURT STB TOAST TWEED
 2184110 CANVAS, 19SPX-15 VSR CURT PRT TOAST TWEED
 2184111 CANVAS, 19SPX-15 VSR CURT CTR TOAST TWEED
 2184103 CANVAS, 19SPX-15 VSR CURT CTR PAC BLUE
 2184102 CANVAS, 19SPX-15 VSR CURT PRT PAC BLUE
 2184104 CANVAS, 19SPX-15 VSR CURT STB PAC BLUE
 2184105 CANVAS, 19SPX-15 SIDE CURT PRT PAC BLUE
 2184106 CANVAS, 19SPX-15 SIDE CURT STB PAC BLUE
 2231252 CANVAS, 19SPX-16 VSR CURT STB MRN MDNT
 2231250 CANVAS, 19SPX-16 VSR CURT PRT MRN MDNT
 2231251 CANVAS, 19SPX-16 VSR CURT CTR MRN MDNT
 2231248 CANVAS, 19SPX-16 SIDE CURT PRT MRN MDNT
 2231249 CANVAS, 19SPX-16 SIDE CURT STB MRN MDNT

CKPT FLOORING UPGRADE(INF.WVN)-WHT/CHARCOAL

154377 SNAP STUD, W/#8 X 5/8" PH SS(FOR CARPET)
 2043728 SNAP, BUTTON SS
 2082138 SNAP, SOCKET SS
 2199291 CARPET, INFNTY/AVD 1412/3 W/HD BCKNG 7'6"W
 2199293 BINDING, CARPET TAPE #615 STRAIGHT 1.25"
 1790664 SNAP REINFORCEMENT, PLAS BACKER 500 PC/ROLL
 2225740 CARPET, CKPT 19SPX INFINITY BASE PKG

CKPT FLOORING UPGRADE(INF.WVN)-WHT/TAN

154377 SNAP STUD, W/#8 X 5/8" PH SS(FOR CARPET)
 2043728 SNAP, BUTTON SS
 2082138 SNAP, SOCKET SS
 2199292 BINDING, CARPET TAPE #427 STRAIGHT 1.25"
 2199290 CARPET, INFNTY/AVD 1412/2 W/HD BCKNG 7'6"W
 1790664 SNAP REINFORCEMENT, PLAS BACKER 500 PC/ROLL
 2225738 CARPET, CKPT 19SPX INFINITY SELECT PKG

COCKPIT COVER W/ TONNEAU COVER

2208149 CANVAS, SHARKSKIN SD GRY STRG BAG 12"X 38"
 2151995 CANVAS, 19/21SPX-15 TONNEAU CVR TOAST TWEED
 2223480 CANVAS, 19/21SPX-16 TONNEAU CVR MRN MDNT
 2173600 CANVAS, 19/21SPX-15 TONNEAU CVR PAC BLUE
 2151994 CANVAS, 19/21SPX-15 TONNEAU CVR BLK

2152025 CANVAS, 19SPX-15 CPC N/CUT OUT W/SNPS TSTTWD
 2152023 CANVAS, 19SPX-15 CPC N/CUT OUTS W/SNAPS BLK
 2223481 CANVAS, 19SPX-16 CPC N/CUT OUTS W/SNAPS MMDNT
 2173670 CANVAS, 19SPX-15 CPC N/CUT OUTS W/SNAPS PACBL

COCKPIT COVER W/TONNEAU & MARINE MIDNIGHT B

2082138 SNAP, SOCKET SS

COCKPIT FLOORING (INFINITY WOVEN)-COGNAC

154377 SNAP STUD, W/#8 X 5/8" PH SS(FOR CARPET)
 2043728 SNAP, BUTTON SS
 2082138 SNAP, SOCKET SS
 2199292 BINDING, CARPET TAPE #427 STRAIGHT 1.25"
 2199290 CARPET, INFNTY/AVD 1412/2 W/HD BCKNG 7'6"W
 1790664 SNAP REINFORCEMENT, PLAS BACKER 500 PC/ROLL
 2225738 CARPET, CKPT 19SPX INFINITY SELECT PKG

COCKPIT FLOORING (INFINITY WOVEN)-SAHARA

154377 SNAP STUD, W/#8 X 5/8" PH SS(FOR CARPET)
 2043728 SNAP, BUTTON SS
 2082138 SNAP, SOCKET SS
 2199292 BINDING, CARPET TAPE #427 STRAIGHT 1.25"
 2199290 CARPET, INFNTY/AVD 1412/2 W/HD BCKNG 7'6"W
 1790664 SNAP REINFORCEMENT, PLAS BACKER 500 PC/ROLL
 2225738 CARPET, CKPT 19SPX INFINITY SELECT PKG

COGNAC-SELECT PKG & ELEVATION W/CHARTPLOTTE

2192804 PANEL, BLANK:19/21SPX-15 INST SELECT/PLOTTER

COGNAC-SELECT PKG & PREMIER AUDIO UPGRADE

2235006 SPEAKER, ROCKFORD FOSSGATE PUNCH M2 6.5" BLK

COGNAC-SELECT PKG & SNAP IN CARPET

2109411 BINDING, CANVAS 1" TRESKO/BIRCH SUNBRLA BIAS
 2196503 CARPET, EXT 28OZ CNTRY BEI E078-#9798 AT 7'6"

COGNAC-SELECT PKG & SWIM PLATFORM MAT

2167917 INSERT, FOAM 19SPX-15 SWMPLTFRM SELECT MOCHA
 2196117 INSERT, P/C 19SPX-15 SWMPLTFRM PC#6 MOCHA
 2196116 INSERT, P/C 19SPX-15 SWMPLTFRM PC#5 MOCHA
 2196115 INSERT, P/C 19SPX-15 SWMPLTFRM PC#4 MOCHA
 2196114 INSERT, P/C 19SPX-15 SWMPLTFRM PC#3 MOCHA
 2196113 INSERT, P/C 19SPX-15 SWMPLTFRM PC#2 MOCHA
 2196112 INSERT, P/C 19SPX-15 SWMPLTFRM PC#1 MOCHA

COLORED BOTTOM & COLORED HULL SIDES MATCH

1066372 B.O.M, ADJUSTMENT NUMBER

COLORED HULL SIDE & WHITE BOTTOM

1066372 B.O.M, ADJUSTMENT NUMBER

DEPTH FINDER

1944875 SWITCH, TOGGLE CHR W/BLOCK IND SPST
 2229671 PANEL, 19/21SPX-17 SW STB W/DEPTH
 2148433 GAUGE, DEPTH 2" FARIA SR SB W/SS BEZEL
 1915584 TRANSDUCER, T-HULL AIRMAR 235KHZ DEPTH
 2229672 PANEL, BLANK:19/21SPX-17 SW STB W/DEPTH
 1409366 SWITCH, IGN STARTER
 137802 PLUG, HOLE 1/2" BLK
 2065589 LIGHT, INDICATOR LED AMBER 14V RND

ECT 3.0L MPI A1 & 2.40:1 OUTDRIVE

1106228 OUTDRIVE, MERC ALPHA 2.4:1 HI-ALT

ECT 3.0L MPI A1 (135 PHP) STERN DRIVE

1698518 VINYL FILM, UPH SLIP FILM .007MIL

ECT 4.3L MPI A1 (180 PHP) STERN DRIVE

1698518 VINYL FILM, UPH SLIP FILM .007MIL

ECT 4.3L MPI A1 (180PHP) & 1.81:1 OUTDRIVE

1076082 OUTDRIVE UNIT, MERC ALPHA 2.0:1

ECT 4.3L MPI A1 (220 PHP) STERN DRIVE

1698518 VINYL FILM, UPH SLIP FILM .007MIL

ECT 4.3L MPI A1 (220PHP) & 1.81:1 OUTDRIVE

1076918 OUTDRIVE UNIT, MERC ALPHA 1.81:1

ECT 4.5L MPI A1 (200 PHP) STERN DRIVE

2110889 CONN, RING 2GA X 3/8R BATT/CBL COP PLTD CLSD

1042258 HEAT SHRINK, TUBING RED 1/2"X 6"

1791388 DECAL, MERCURY CERTIFIED INSTALLER

1816105 LABEL, PROP LABEL/SLIT NUMBERS Q.C.

2083356 TAG, MINIMUM BATTERY REQUIREMENTS

2110871 CONN, BATT LUG 2GA NEG W/NUT/BOLT

130781 CABLE, BATT RED #2AWG

130799 CABLE, BATT BLK #2AWG

1042225 HEAT SHRINK, TUBING BLK 1/2"X 6"

2110872 CONN, BATT LUG 2GA POS W/NUT/BOLT

1090869 OUTDRIVE UNIT, MERC ALPHA 1.62:1

1822905 PROP, MERC 14.5"X 19"ALUM BLK MAX

1698518 VINYL FILM, UPH SLIP FILM .007MIL

ELEVATION PACKAGE

1935262 LIGHT, NAV A/R NON LED 24"

1800868 LIGHT, NAV A/R LENS CVR ONLY ANTI-GLARE

1628536 BULB, REPL FOR NAV LIGHT A/R NON LED

2157255 EMBLEM, SPX DASH "ELEVATION" CHROMAX

2133507 SUPPORT, ALUM ANOD WAKEBRD RACK 1.5-2" TUBING

2210867 MIRROR, REAR VIEW 6"X 14" COMBO COMPOSITE

2253623 TOWER, 19/21SPX AL MAT BLK PC W/HRD/SPK WIRES

2187260 TOWER, PIVOT PIN 2" SNAP RING

1950331 TOWER, WTR SPRTS TWR RND NAV LIGHT BASE

2105599 KNOB, FWD FCNG TWR SOFT TOUCH

1443191 EMBLEM, S/R WAVE 5" OVAL CHR TRNSM

2151991 CANVAS, 19SPX-15 BIM BOOT W/TWR TOAST TWEED

2173674 CANVAS, 19SPX-15 BIM TOP W/TWR PAC BLUE

2183643 SHIM, DELRIN 19SPX-15 TOWER

2223472 CANVAS, 19SPX-16 BIM BOOT W/TWR MRN MDNT

2223471 CANVAS, 19SPX-16 BIM TOP W/TWR MRN MDNT

2173673 CANVAS, 19SPX-15 BIM BOOT W/TWR PAC BLUE

2151988 CANVAS, 19SPX-15 BIM TOP W/TWR TOAST TWEED

2151987 CANVAS, 19SPX-15 BIM TOP W/TWR BLK

2209119 VINYL FILM, 19 SPX/O W/FLD ARCH/TROLLING

2151990 CANVAS, 19SPX-15 BIM BOOT W/TWR BLK

2184300 CANVAS, 19SPX-15 BIM TOP W/TWR FAB TOAST TWD

2184294 CANVAS, 19SPX-15 BIM TOP W/TWR MAIN BOW W/HWR

2184295 CANVAS, 19SPX-15 BIM TOP W/TWR BOW2 W/HWR

2184296 CANVAS, 19SPX-15 BIM TOP W/TWR FWD STNCH W/HW

2184297 CANVAS, 19SPX-15 BIM TOP W/TWR RR STNCH W/HWR

2184298 CANVAS, 19SPX-15 BIM TOP W/TWR MNTG HDWR PKG

2184299 CANVAS, 19SPX-15 BIM TOP W/TWR FAB PAC BLUE

2231247 CANVAS, 19SPX-16 BIM TOP W/TWR FAB MRN MDNT

ELEVATION PKG & COCKPIT COVER W/ TONNEAU

2152000 CANVAS, 19SPX-15 CPC W/TWR W/SNAP TOAST TWEED
 2223485 CANVAS, 19SPX-16 CPC W/TWR W/SNAP MRN MDNT
 2151999 CANVAS, 19SPX-15 CPC W/TWR W/SNAP BLK
 2173672 CANVAS, 19SPX-15 CPC W/TWR W/SNAP PAC BLUE

ELEVATION PKG & MOORING COVER

2151993 CANVAS, 19SPX-15 MOORING CVR W/TWR/BLK

EXPORT PACKING - INTERNATIONAL

1734620 TAPE, VAC PAK WHT (2"X 180") FLAME RETARDANT
 468934 TAPE, VAC PAK WHT (4"X 36YDS) PRESERVATION
 434191 CARD, NAVIGATIONAL INTERNATIONAL

FATHOM BLUE BOTTOM & FATHOM BLUE HULL SIDES

2061881 GEL COAT, MAXGUARD VIBRANT BLUE LG-NCP-2469RY
 2157319 TAPE, 19SPX-15 MOLD MASK PRT LWR HULL
 2157318 TAPE, 19SPX-15 MOLD MASK STB LWR HULL

FATHOM BLUE HULL SIDES WITH WHITE BOTTOM

2061881 GEL COAT, MAXGUARD VIBRANT BLUE LG-NCP-2469RY

FIRE SUPPRESSION SYSTEM (FM200)- AUTOMATIC

2147389 FIRE EXT SYS, FM200 150CF MAN/AUTO CMPCT R/LH
 2063376 LABEL, NOTICE AUTO HALON SYSTEM POLY/VNYL
 884916 WASHER, 190BR/CB 97 HALON SYSTEM LIGHT
 2147320 HALON CABLE, MNL RLS CABLE X 14'RED

FLOORING - SNAP IN CARPET

154377 SNAP STUD, W/#8 X 5/8" PH SS(FOR CARPET)
 2043728 SNAP, BUTTON SS
 2082138 SNAP, SOCKET SS
 2023566 BINDING, CANVAS 1"CHAR GRY SNBRLA BIAS
 2063820 CARPET, EXT 28OZ GUNMETAL E078-#9832 AT 7'6"
 1790664 SNAP REINFORCEMENT, PLAS BACKER 500 PC/ROLL
 2225741 CARPET, CKPT 19SPX GUNMETAL

GREY SPORT GRAPHICS

2157321 TAPE, 19SPX-15 MOLD MASK PRT MID HULL 1
 2157320 TAPE, 19SPX-15 MOLD MASK STB MID HULL 1
 2253336 GRAPHICS KIT, 19SPX-17 SPORT PKG1 DKCHAR/PWTR

INTERNATIONAL IN-SERVICE CHECKLIST

1880468 CHECK LIST, INT'L DISCLOSURE SPBT/SPCRUSR '11

MOORING COVER - (BLACK ONLY)

2151992 CANVAS, 19SPX-15 MOORING CVR W/BAG BLK
 2212187 CANVAS, GL MOORING CVR BAG BLK

NON DOMESTIC CAPACITY PLATE - NO EPA

2186484 PLATE, NMMA SER 11/1550/1650 19SPX-15 NO EPA

OVERSEAS SHIPPING CRADLE

167189 CARPET, SCRAP
 1126754 TIE, CABLE 15.5" SCREW MNT BLK SS BARB
 1938879 CABLE, AIRCRAFT SS 1/4"X 1000'

PERFECT PASS SPEED CONTROL

2153219 ACC PART, PRFCT PASS STAR GAZER V6 KIT
 1809616 ACC PART, PRFCT PASS IN-DASH DISPLAY

PREMIER AUDIO UPGRADE

2235005 SPEAKER, ROCKFORD FOSGATE PUNCH M2 6.5" WHT
 2235006 SPEAKER, ROCKFORD FOSSGATE PUNCH M2 6.5" BLK
 2187825 SPEAKER, ROCKFORD FOSGATE 10"SUBWOOFER PM210S4
 2246995 HARNESS, 19/21SPX-17 STEREO UPGRADE

2144651 LABEL, STEREO 1.5"X 1/4"BLK WHT TXT RND EDGES
 2241731 CABLE, RCA AUDIO 30'
 2120986 STEREO, AMP ROCKFORD FOSGATE 300W/4 R300X42120986

RALLY RED BOTTOM & RALLY RED HULL SIDES

2126305 GEL COAT,RALLY RED MAX RG NCP 2041TN
 2157319 TAPE, 19SPX-15 MOLD MASK PRT LWR HULL
 2157318 TAPE, 19SPX-15 MOLD MASK STB LWR HULL

RALLY RED HULL SIDES WITH WHITE BOTTOM

2126305 GEL COAT,RALLY RED MAX RG NCP 2041TN

RAYMARINE CHARTPLOTTER / FISHFINDER

126870 VENT, CLAMSHELL ROPE LCKR 1 5/8"X 1.5"
 2109554 NAVIGATION DISPLAY, RAYMARINE A67 SNDR
 2079027 TRANSDUCER, P58 TRNSM MNT

RED SPORT GRAPHICS

2157321 TAPE, 19SPX-15 MOLD MASK PRT MID HULL 1
 2157320 TAPE, 19SPX-15 MOLD MASK STB MID HULL 1
 2253335 GRAPHICS KIT, 19SPX-17 SPORT PKG2 FIRMST/PWTR

S.R. BLUE BOTTOM & SEA RAY BLUE HULL SIDES

2157319 TAPE, 19SPX-15 MOLD MASK PRT LWR HULL
 2157318 TAPE, 19SPX-15 MOLD MASK STB LWR HULL
 2225468 GEL COAT, SEA RAY BLUE MAXGUARD LG NCP 4077RY

S.R. BLUE HULL SIDES WITH WHITE BOTTOM

2225468 GEL COAT, SEA RAY BLUE MAXGUARD LG NCP 4077RY

SAHARA-SELECT PKG & ELEVATION PKG W/CHRTPLT

2192804 PANEL, BLANK:19/21SPX-15 INST SELECT/PLOTTER

SAHARA-SELECT PKG & PREMIER AUDIO UPGRADE

2235006 SPEAKER, ROCKFORD FOSSGATE PUNCH M2 6.5" BLK

SAHARA-SELECT PKG & SNAP IN CARPET

2109411 BINDING, CANVAS 1" TRESKO/BIRCH SUNBRLA BIAS
 2196503 CARPET, EXT 28OZ CNTRY BEI E078-#9798 AT 7'6"

SAHARA-SELECT PKG & SWIM PLATFORM MAT

2167917 INSERT, FOAM 19SPX-15 SWMPLTFRM SELECT MOCHA
 2196117 INSERT, P/C 19SPX-15 SWMPLTFRM PC#6 MOCHA
 2196116 INSERT, P/C 19SPX-15 SWMPLTFRM PC#5 MOCHA
 2196115 INSERT, P/C 19SPX-15 SWMPLTFRM PC#4 MOCHA
 2196114 INSERT, P/C 19SPX-15 SWMPLTFRM PC#3 MOCHA
 2196113 INSERT, P/C 19SPX-15 SWMPLTFRM PC#2 MOCHA
 2196112 INSERT, P/C 19SPX-15 SWMPLTFRM PC#1 MOCHA

SELECT PACKAGE - COGNAC

1952082 HDPE, 1/4"X 48"X 96"AQUA-PLAS II LAV BLK
 2193849 PVC BOARD, (12MM)X4X8 WHT AP1 ULTRA FOAM VYCM
 2193868 PVC BOARD, (6MM)X48X96 WHT AP1 ULTRA BBGVYCOM
 1780393 RAIL, GRAB 8" 316L SS W/GASKET1
 1080100 INSERT, RUBRAIL SS 3/4"X 12' (.062/304SS)
 1781445 CATCH, PAWL 2"DEEP OFFSET SHORT SS
 1617281 BRACKET, BLSTR CKPT ANGLED 1/4" STND-OFF SS
 1756151 BRACKET, BLSTR CKPT ANGLED 3/4" STND-OFF SS
 2043728 SNAP, BUTTON SS
 2082138 SNAP, SOCKET SS
 2121944 CARPET, EXT 24OZ CNTRY BEIGE 9798 GT 7.5'
 2235004 SPEAKER, ROCKFORD FOSGATE PRM M0 6.5"BLK
 2037133 THRU-HULL, PLAS SS CAP 1 1/8"BARB ST ATTW
 2112409 HOLDER, SS DRINK DUAL STACK BLUE LED

1952623 RUBRAIL, PVC BLK 18'SS INSERT 3/4"WIDE BBR
 1944875 SWITCH, TOGGLE CHR W/BLUE IND SPST
 2087529 EMBLEM, STEERING WHEEL SR LOGO ALUM
 2065185 LIGHT, LED RAIL BLUE
 1423946 BULB, REPL FOR #1414895 12V
 1095959 INSERT, RUBRAIL SS 3/4"X 10' (.062/304SS)
 2076935 STEERING WHEEL, FIUME INS ALUM 3-SPK WD MATTE
 1957061 BEZEL, 3" GAUGE SPCR ABS CHR
 2229707 PANEL, 19/21SPX-17 SW STB SELECT UPGRADE
 1798197 PLATE, DEEP BRKT 2.5"W/HDWR PKG SS
 2157852 LIGHT, LED DIFFUSED TAPE BLUE 10"
 2119899 LIGHT, LED DIFFUSED TAPE BLUE 44"
 2229704 PANEL, 19/21SPX-17 SW PRT SELECT UPGRADE
 2119905 LIGHT, LED DIFFUSED MNT TRACK WHT 6' W/O ADH
 2150089 HARNESS, 19/21SDX-15 INDIRECT LED LIGHTING
 1957065 BEZEL, 5" GAUGE 4/1 SPCR ABS CHR
 2157254 EMBLEM, SPX DASH "SELECT" CHROMAX
 1781446 LATCH, COMPRESSION 2.5"N/LOCKING SS
 2192805 PANEL, BLANK:19/21SPX-15 INST SELECT UPGRADE
 2199085 FOAM, P/C 19/21SPX-15 BOW CUSH KIT SEL
 2120903 VINYL, PROTEGE/CRM FLAT MRTCH DULL FIN
 1781463 CATCH, PAWL 2.5"OFFSET MEDIUM SS
 1771010 LIGHT, NAV COMBO BOW SS REV1 W/CONN
 2121126 VINYL, KIXX/CHAR FLAT
 2199081 FOAM, P/C 19SPX-15 AFT BNCH BLSTR/CUSH SEL
 1781448 PLATE, SHALLOW BRKT 2.5"W/HDWR PKG SS
 2163853 FOAM, P/C 19SPX-15 BOW B/R SELECT KIT
 1798057 LIGHT, NAV COMBO BOW LENS CVR ONLY
 2087532 CAP, STEER WHEEL CTR ALUM
 2122634 HINGE, SS 1 1/16"X 15" PIANO
 2213464 KEY, GLOVEBOX BUTTON
 1843752 LOCK, RADIO/GLOVEBOX BUTTON KEYED 93-303
 2236658 PANEL, BLANK:19/21SPX-17 SW PRT SELECT UPGR
 2229705 PANEL, BLANK:19/21PX-17 SW STB SELECT UPGRADE
 2202479 H/S, 19/21-16 AERGO PROTEGE/CRM/BLK/BLK-TS
 2192810 SHROUD, DASH 19/21SPX-15 UPGR PROTOGE/EMP TAN
 2120905 VINYL, PROTEGE/EMPIRE TAN FLAT MRTCH DULL FIN
 2126968 VINYL, PROTEGE/WHT 1/4"FBDW W/ADHSV MERRIT MR
 2196317 DOOR, HDPE 1/2"GLVBX PROTOGE/EMP TAN SELECT
 823401 NUT, HEX KEP/STAR LOCK #8-32 SS
 2189806 FOAM, P/C 19SPX-15 SELECT CUSH KIT
 2192811 PANEL, 19/21SPX-15 PRT CONSOLE UPGRADE
 2199096 FOAM, P/C 19SPX-15 PRT B/R SEL
 2165292 GEL COAT, ARCW INT BILGE WG-11-1949RY
 2199091 FOAM, P/C 19SPX-15 AFT PRT B/R SEL
 2199082 FOAM, P/C 19SPX-15 CKPT SIDE PNL KIT SEL
 1693527 INSERT, RUBRAIL SS 3/4"X 15' 6"X .062
 1703826 SCREW, TAPPING #10 X 3/4" PTH SS
 1704781 SCREW, MACHINE #10-24 X 3/4" PTH SS
 2225742 CARPET, CKPT 19SPX COUNTRY BEIGE
 823419 NUT, HEX KEP/STAR LOCK #10-24 SS
 2252658 SKIN KIT, 19SPX-17 SELECT COGNAC

SELECT PACKAGE - COGNAC & RAYMARINE CHARTPL

2192804 PANEL, BLANK:19/21SPX-15 INST SELECT/PLOTTER

SELECT PACKAGE - SAHARA

1952082 HDPE, 1/4"X 48"X 96" AQUA-PLAS II LAV BLK
 2193849 PVC BOARD, (12MM)X4X8 WHT AP1 ULTRA FOAM VYCM
 2193868 PVC BOARD, (6MM)X48X96 WHT AP1 ULTRA BBGVYCOM
 1780393 RAIL, GRAB 8" 316L SS W/GASKET1
 2022234 ACCESS PLATE, FIRE PRT WHT W/ARCW PLAS INSERT
 1080100 INSERT, RUBRAIL SS 3/4"X 12' (.062/304SS)
 1781445 CATCH, PAWL 2"DEEP OFFSET SHORT SS
 1617281 BRACKET, BLSTR CKPT ANGLED 1/4" STND-OFF SS
 1756151 BRACKET, BLSTR CKPT ANGLED 3/4" STND-OFF SS
 2043728 SNAP, BUTTON SS
 2082138 SNAP, SOCKET SS
 2121944 CARPET, EXT 24OZ CNTRY BEIGE 9798 GT 7.5'
 2235004 SPEAKER, ROCKFORD FOSGATE PRM M0 6.5"BLK
 2037133 THRU-HULL, PLAS SS CAP 1 1/8"BARB ST ATTW
 2112409 HOLDER, SS DRINK DUAL STACK BLUE LED
 1952623 RUBRAIL, PVC BLK 18"SS INSERT 3/4"WIDE BBR
 1944875 SWITCH, TOGGLE CHR W/BUE IND SPST
 2087529 EMBLEM, STEERING WHEEL SR LOGO ALUM
 2065185 LIGHT, LED RAIL BLUE
 1423946 BULB, REPL FOR #1414895 12V
 1095959 INSERT, RUBRAIL SS 3/4"X 10' (.062/304SS)
 2076935 STEERING WHEEL, FIUME INS ALUM 3-SPK WD MATTE
 1957061 BEZEL, 3" GAUGE SPCR ABS CHR
 2229707 PANEL, 19/21SPX-17 SW STB SELECT UPGRADE
 1798197 PLATE, DEEP BRKT 2.5"W/HDWR PKG SS
 2157852 LIGHT, LED DIFFUSED TAPE BLUE 10"
 2119899 LIGHT, LED DIFFUSED TAPE BLUE 44"
 2229704 PANEL, 19/21SPX-17 SW PRT SELECT UPGRADE
 2119905 LIGHT, LED DIFFUSED MNT TRACK WHT 6' W/O ADH
 2150089 HARNESS, 19/21SDX-15 INDIRECT LED LIGHTING
 2206185 DOOR, HDPE 1/2"GLVBX PROTOGE/CREAM SELECT
 2202484 H/S, 19/21-16 AERGO PROTEGE/WHT/BLK/BLK-TS
 1957065 BEZEL, 5" GAUGE 4/1 SPCR ABS CHR
 2157254 EMBLEM, SPX DASH "SELECT" CHROMAX
 1781446 LATCH, COMPRESSION 2.5"N/LOCKING SS
 2120907 VINYL, PROTEGE/WHT FLAT MRTCH DULL FIN
 2123034 VINYL, PROTEGE/CRM 1/4" F/B MRTCH DULL FIN
 2192805 PANEL, BLANK:19/21SPX-15 INST SELECT UPGRADE
 2199085 FOAM, P/C 19/21SPX-15 BOW CUSH KIT SEL
 2120903 VINYL, PROTEGE/CRM FLAT MRTCH DULL FIN
 1781463 CATCH, PAWL 2.5"OFFSET MEDIUM SS
 1771010 LIGHT, NAV COMBO BOW SS REV1 W/CONN
 2206181 SHROUD, DASH 19/21SPX-15 UPGR PROTOGE/CREAM
 2121126 VINYL, KIXX/CHAR FLAT
 2199081 FOAM, P/C 19SPX-15 AFT BNCH BLSTR/CUSH SEL
 1781448 PLATE, SHALLOW BRKT 2.5"W/HDWR PKG SS
 2163853 FOAM, P/C 19SPX-15 BOW B/R SELECT KIT
 1798057 LIGHT, NAV COMBO BOW LENS CVR ONLY
 2087532 CAP, STEER WHEEL CTR ALUM
 2122634 HINGE, SS 1 1/16"X 15" PIANO
 2213464 KEY, GLOVEBOX BUTTON
 1843752 LOCK, RADIO/GLOVEBOX BUTTON KEYED 93-303
 2236658 PANEL, BLANK:19/21SPX-17 SW PRT SELECT UPGR

2229705 PANEL, BLANK:19/21PX-17 SW STB SELECT UPGRADE
 823401 NUT, HEX KEP/STAR LOCK #8-32 SS
 2189806 FOAM, P/C 19SPX-15 SELECT CUSH KIT
 2192811 PANEL, 19/21SPX-15 PRT CONSOLE UPGRADE
 2120908 VINYL, KIXX/PRL FLAT
 2199096 FOAM, P/C 19SPX-15 PRT B/R SEL
 2165292 GEL COAT, ARCW INT BILGE WG-11-1949RY
 2199091 FOAM, P/C 19SPX-15 AFT PRT B/R SEL
 2199082 FOAM, P/C 19SPX-15 CKPT SIDE PNL KIT SEL
 1693527 INSERT, RUBRAIL SS 3/4"X 15' 6"X .062
 2252659 SKIN KIT, 19SPX-17 SELECT SAHARA
 1703826 SCREW, TAPPING #10 X 3/4" PTH SS
 1704781 SCREW, MACHINE #10-24 X 3/4" PTH SS
 2225742 CARPET, CKPT 19SPX COUNTRY BEIGE
 823419 NUT, HEX KEP/STAR LOCK #10-24 SS

SELECT PACKAGE - SAHARA & RAYMARINE CHARTPL

2192804 PANEL, BLANK:19/21SPX-15 INST SELECT/PLOTTER

SKI MIRROR

2210867 MIRROR, REAR VIEW 6"X 14"COMBO COMPOSITE

SPORT GRAPHICS

1066372 B.O.M, ADJUSTMENT NUMBER

STAINLESS STEEL COMPONENT UPGRADE

1780393 RAIL, GRAB 8" 316L SS W/GASKET1
 1080100 INSERT, RUBRAIL SS 3/4"X 12' (.062/304SS)
 1781445 CATCH, PAWL 2"DEEP OFFSET SHORT SS
 1812917 HOLDER, DRINK SS 4"X 3"MUG SZ PLSHD RIM
 2037133 THRU-HULL, PLAS SS CAP 1 1/8"BARB ST ATTW
 1952623 RUBRAIL, PVC BLK 18'SS INSERT 3/4"WIDE BBR
 1423946 BULB, REPL FOR #1414895 12V
 1095959 INSERT, RUBRAIL SS 3/4"X 10' (.062/304SS)
 1798197 PLATE, DEEP BRKT 2.5"W/HDWR PKG SS
 1781446 LATCH, COMPRESSION 2.5"N/LOCKING SS
 1781463 CATCH, PAWL 2.5"OFFSET MEDIUM SS
 1771010 LIGHT, NAV COMBO BOW SS REV1 W/CONN
 1781448 PLATE, SHALLOW BRKT 2.5"W/HDWR PKG SS
 1798057 LIGHT, NAV COMBO BOW LENS CVR ONLY
 1693527 INSERT, RUBRAIL SS 3/4"X 15' 6"X .062

STANDARD UPHOLSTERY WHITE / CHARCOAL

2043728 SNAP, BUTTON SS
 2082138 SNAP, SOCKET SS

STANDARD UPHOLSTERY WHITE / TAN

2043728 SNAP, BUTTON SS
 2082138 SNAP, SOCKET SS
 2249142 H/S, 19/21-17 AERGO PROTEGE/TAN/PRL/PRL-TS
 2252661 SKIN KIT, 19SPX-17 ALLOY/EMPIRE TAN

STD UPH. WHT/COGNAC & CAPTAIN'S PKG

2249142 H/S, 19/21-17 AERGO PROTEGE/TAN/PRL/PRL-TS

STD UPHOLSTERY WHITE / TAN & SWIM PLATFORM

2167917 INSERT, FOAM 19SPX-15 SWMPLTFRM SELECT MOCHA
 2196117 INSERT, P/C 19SPX-15 SWMPLTFRM PC#6 MOCHA
 2196116 INSERT, P/C 19SPX-15 SWMPLTFRM PC#5 MOCHA
 2196115 INSERT, P/C 19SPX-15 SWMPLTFRM PC#4 MOCHA
 2196114 INSERT, P/C 19SPX-15 SWMPLTFRM PC#3 MOCHA

2196113 INSERT, P/C 19SPX-15 SWMPLTFRM PC#2 MOCHA
 2196112 INSERT, P/C 19SPX-15 SWMPLTFRM PC#1 MOCHA

SWIM PLATFORM MAT - SEADEK

2156307 INSERT, FOAM 19SPX-15 SWMPLTFRM TTNIUUM
 2195711 INSERT, P/C 19SPX-15 SWMPLTFM PC#2 TTNIUUM
 2195712 INSERT, P/C 19SPX-15 SWMPLTFM PC#4 TTNIUUM
 2195713 INSERT, P/C 19SPX-15 SWMPLTFM PC#5 TTNIUUM
 2195710 INSERT, P/C 19SPX-15 SWMPLTFRM PC#1 TTNIUUM
 2187072 INSERT, FOAM 19SPX-15 SWMPLTFM LADDER TTNIUUM
 2195714 INSERT, P/C 19SPX-15 SWMPLTFM PC#6 TTNIUUM

TAN BOTTOM & TAN HULL SIDES

2225467 GEL COAT, MOJAVE TAN2 MAXGUARD NC NCP 5355RY
 2157319 TAPE, 19SPX-15 MOLD MASK PRT LWR HULL
 2157318 TAPE, 19SPX-15 MOLD MASK STB LWR HULL

TAN HULL SIDES WITH WHITE BOTTOM

2225467 GEL COAT, MOJAVE TAN2 MAXGUARD NC NCP 5355RY

TOWER RACKS

2133507 SUPPORT, ALUM ANOD WAKEBRD RACK 1.5-2" TUBING

TRANSOM STEREO REMOTE

2187059 STEREO, ROCKFORD FOSGATE REMOTE W/DSPL PMX-1R
 2187068 CABLE, ROCKFORD FOSGATE REMOTE EXT 25'PMX25C

WATER SPORTS TOWER W/ BIMINI

1935262 LIGHT, NAV A/R NON LED 24"
 1800868 LIGHT, NAV A/R LENS CVR ONLY ANTI-GLARE
 1628536 BULB, REPL FOR NAV LIGHT A/R NON LED
 2253623 TOWER, 19/21SPX AL MAT BLK PC W/HRD/SPK WIRES
 2187260 TOWER, PIVOT PIN 2"SNAP RING
 1950331 TOWER, WTR SPRTS TWR RND NAV LIGHT BASE
 2105599 KNOB, FWD FCNG TWR SOFT TOUCH
 1443191 EMBLEM, S/R WAVE 5" OVAL CHR TRNSM
 2151991 CANVAS, 19SPX-15 BIM BOOT W/TWR TOAST TWEED
 2173674 CANVAS, 19SPX-15 BIM TOP W/TWR PAC BLUE
 2183643 SHIM, DELRIN 19SPX-15 TOWER
 2223472 CANVAS, 19SPX-16 BIM BOOT W/TWR MRN MDNT
 2223471 CANVAS, 19SPX-16 BIM TOP W/TWR MRN MDNT
 2173673 CANVAS, 19SPX-15 BIM BOOT W/TWR PAC BLUE
 2151988 CANVAS, 19SPX-15 BIM TOP W/TWR TOAST TWEED
 2151987 CANVAS, 19SPX-15 BIM TOP W/TWR BLK
 2209119 VINYL FILM, 19 SPX/O W/FLD ARCH/TROLLING
 2151990 CANVAS, 19SPX-15 BIM BOOT W/TWR BLK
 2184300 CANVAS, 19SPX-15 BIM TOP W/TWR FAB TOAST TWD
 2184294 CANVAS, 19SPX-15 BIM TOP W/TWR MAIN BOW W/HWR
 2184295 CANVAS, 19SPX-15 BIM TOP W/TWR BOW2 W/HWR
 2184296 CANVAS, 19SPX-15 BIM TOP W/TWR FWD STNCH W/HWR
 2184297 CANVAS, 19SPX-15 BIM TOP W/TWR RR STNCH W/HWR
 2184298 CANVAS, 19SPX-15 BIM TOP W/TWR MNTG HDWR PKG
 2184299 CANVAS, 19SPX-15 BIM TOP W/TWR FAB PAC BLUE
 2231247 CANVAS, 19SPX-16 BIM TOP W/TWR FAB MRN MDNT

WHITE HULL W/ BLACK BOTTOM CHOOSE GRAPHICS

2061871 GEL COAT, MAXGUARD BLK BG-NCP-0066RY
 2157319 TAPE, 19SPX-15 MOLD MASK PRT LWR HULL
 2157318 TAPE, 19SPX-15 MOLD MASK STB LWR HULL

WHITE HULL W/ BLACK BOTTOM NO GRAPHICS

2061871 GEL COAT, MAXGUARD BLK BG-NCP-0066RY
2157319 TAPE, 19SPX-15 MOLD MASK PRT LWR HULL
2157318 TAPE, 19SPX-15 MOLD MASK STB LWR HULL

WHITE HULL WITH BLACK BOTTOM

1066372 B.O.M, ADJUSTMENT NUMBER

WTR SPRTS TWR W/BIM & CPC/TC OPTION

2152000 CANVAS, 19SPX-15 CPC W/TWR W/SNAP TOAST TWEED
2223485 CANVAS, 19SPX-16 CPC W/TWR W/SNAP MRN MDNT
2151999 CANVAS, 19SPX-15 CPC W/TWR W/SNAP BLK
2173672 CANVAS, 19SPX-15 CPC W/TWR W/SNAP PAC BLUE

WTR SPRTS TWR W/BIM & MOORING COVER

2151993 CANVAS, 19SPX-15 MOORING CVR W/TWR/BLK