

2008 340SDA

PARTS MANUAL

340

SUNDANCER

International - 375 SUNDANCER



Sea Ray® Parts Manual, 2008 340 SUNDANCER MRP #

Sea Ray Boats, 2600 Sea Ray Blvd., Knoxville, TN 37914. For information call 1-800-SRBOATS or fax 1-314-213-7878 (USA and International).

Internet address: <http://www.searay.com>

Note: Not all accessories shown in pictures or described herein are standard equipment or even available as options.

Options and features are subject to change without notice.

Confirm the availability of all accessories and equipment with an authorized Sea Ray® dealer.

READ BEFORE ORDERING PARTS

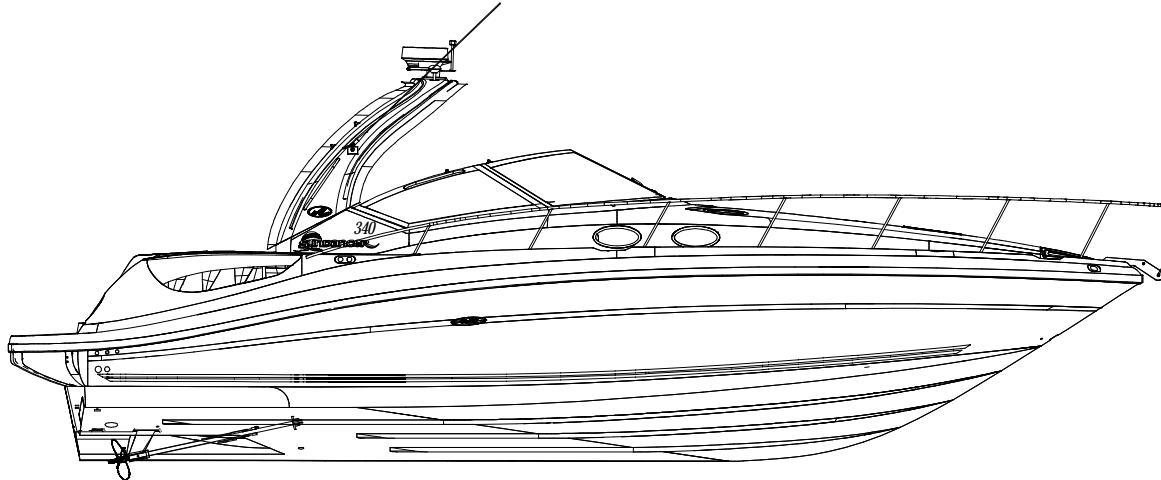
HULL# 1205 THRU 1208



REFERENCE 2007 340SDA PARTS MANUAL WHEN ORDERING PARTS

READ BEFORE ORDERING PARTS

1 1810634 READ NOTES ABOVE BEFORE ORDERING PARTS

GELCOATS**GELCOATS**

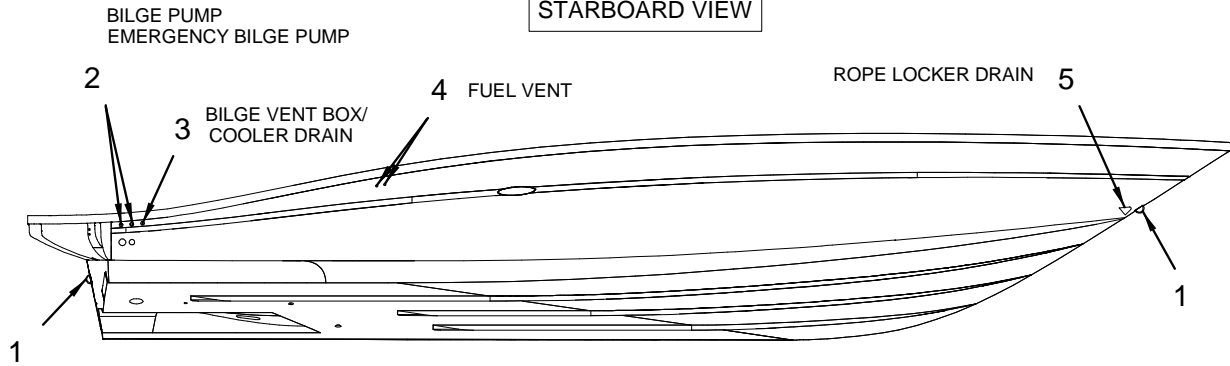
- 1899293 GEL COAT, ARCTIC WHT WG-MP-1949S
(DECK/HULL/SMALL PARTS)
- 1891217 GEL COAT, BILGE PEARL G920LB90935 AOC
(HULL BILGE, DECK & SMALL PARTS UNDERSIDE COLOR)
- 1558469 GEL COAT, MAXGUARD LE PEARL
(SHOWER)(HEAD)
- 1799861 GEL COAT, NICKLE MMHP
(GEL COATED DASH)
- 1899162 GEL COAT, SEA RAY BLUE 952 LK 197
- 1907412 GEL COAT, MMHP SOFT YELLOW 5799L90028
- 1799781 GEL COAT, NEW PEWTER VALSPAR
- 1690845 GEL COAT, JET BLK

BOTTOM PAINT

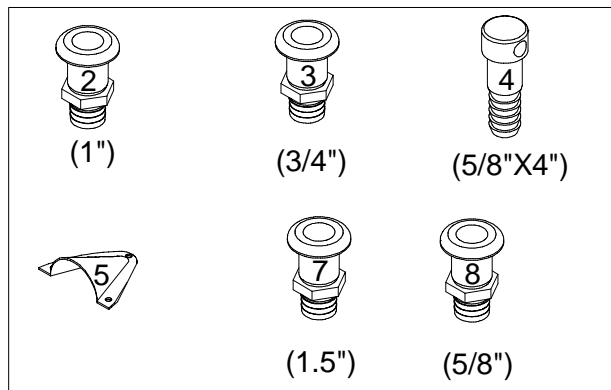
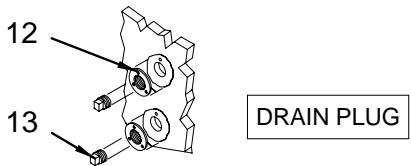
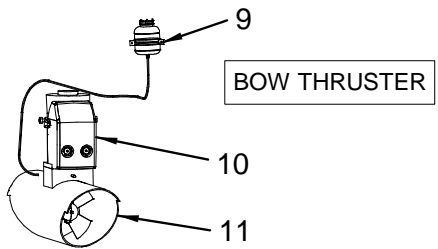
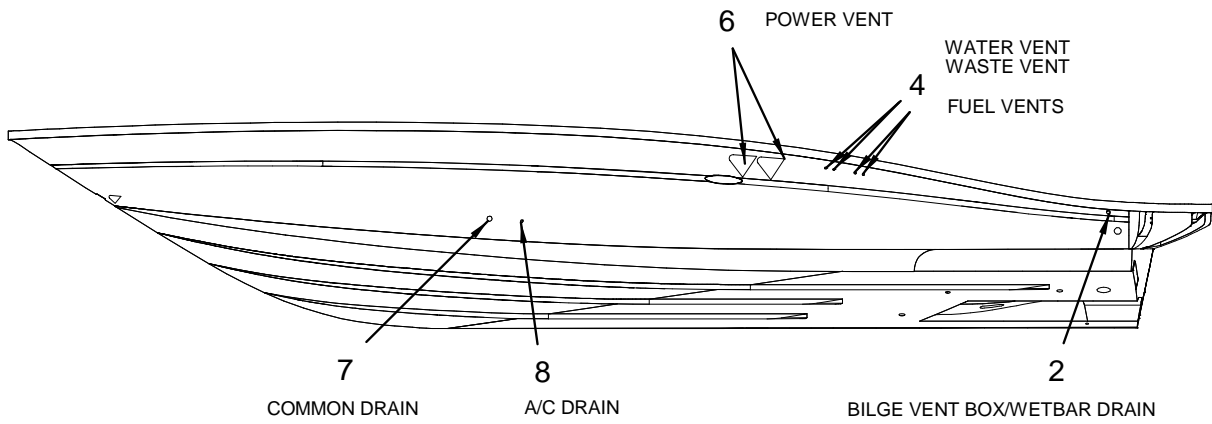
- 1355338 PAINT, BOTTOM BLACK HYDROCOAT
- 1896388 PRIMER, FAST CURE SANDLESS 6998 1 GL
- 868901 THINNER, BOTTOM PAINT
- 946152 PAINT, PRIMER METAL #6455/044

EXTERIOR (HULL)

STARBOARD VIEW



PORT VIEW



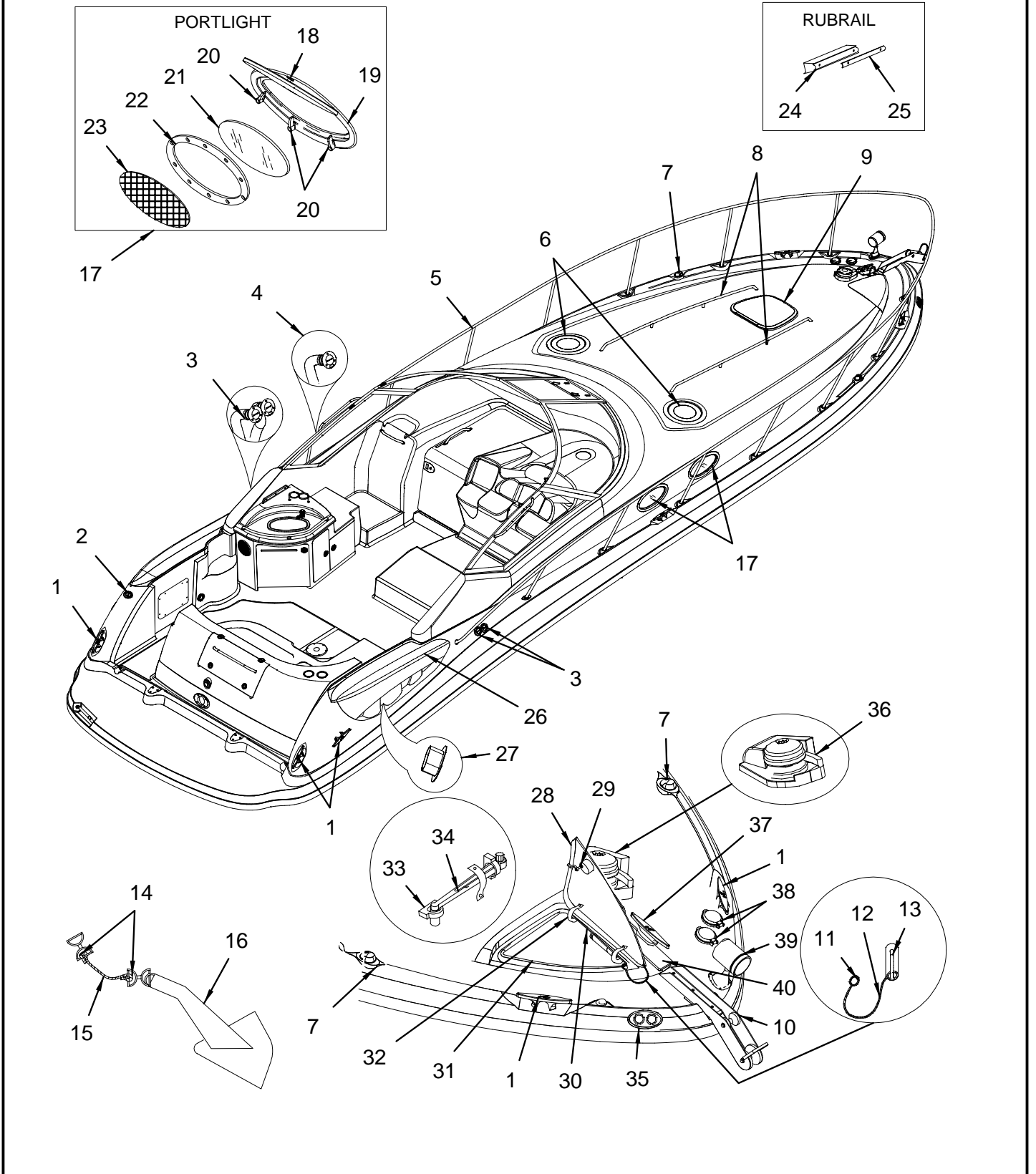
EXTERIOR (HULL)

- 1 126599 EYE, STERN 1/2"X 3 7/16" W/BACKING PLATE
- 1473040 PLATE, BACKING UNIVERSAL 3/16"
- 2 1778926 THRU-HULL, SS 1"BARB SHORT
- 3 1778929 THRU-HULL, SS 3/4"BARB SHORT
- 4 1618651 VENT, FUEL/WATER SS 5/8" 90DEG FLSH SHALLOW
- 5 533430 VENT, CLAMSHELL ROPE LCKR 2"X2"
- 6 688721 COVER, CUSTOM CLAMSHELL (ABS/DR)
- 1802212 COVER, CUSTOM CLAMSHELL ABS/DR PAINTED BLK
- 1797185 COVER, CUSTOM CLAMSHELL PEWTER
- 1907467 COVER, CUSTOM CLAMSHELL ABS/DR SFT YLW
- 1899553 COVER, CUSTOM CLAMSHELL ABS/DR SEA RAY BLUE
- 7 1778928 THRU-HULL, SS 1.5"BARB SHORT
- 8 1778933 THRU-HULL, SS 5/8"BARB SHORT
- 9 1765067 BOW THRUSTER, JOYSTICK (IMTRA)12/24V W/ON/OFF
- 1727462 BOW THRUSTER, CABLE SIDE PWR CNTRL 15M
- 1751061 LABEL, BOW THRUSTER
- 1800993 STERN THRUSTER, DOCKING CNTRL PNL
- 1813640 LABEL, STERN THRUSTER
- 10 1894801 BOW THRUSTER, SIDE PWR 121LB THRST CLOSEDGEAR
- 1894820 STERN THRUSTER, 121LB THRST IGNP CLOSEDGEAR
- 1585470 FUSE, ANL250 IGN PROTECTED
- 11 1627322 BOW THRUSTER, TUNNEL 185X1000X4MM W/S55S ONLY
- 1800988 STERN THRUSTER, TUNNEL SIDE PWR SP55SI ONLY
- 12 325191 PLUG, RED BRASS DRAIN 1/2" MPT W/FLANGE
(SEE REF# 13 FOR PARTS OF PART)
- 13 162263 PLUG, BRASS 1/2" MPT DRAIN SPARE
(PART OF 325191)

NOT SHOWN

- 144329 ZINC, TRANSOM ZINC
- 144360 BOLT, ZINC #3/8-16 X 4.5" SIL/BRZ
- 144378 NUT, ZINC 3/8-16 SIL/BRZ

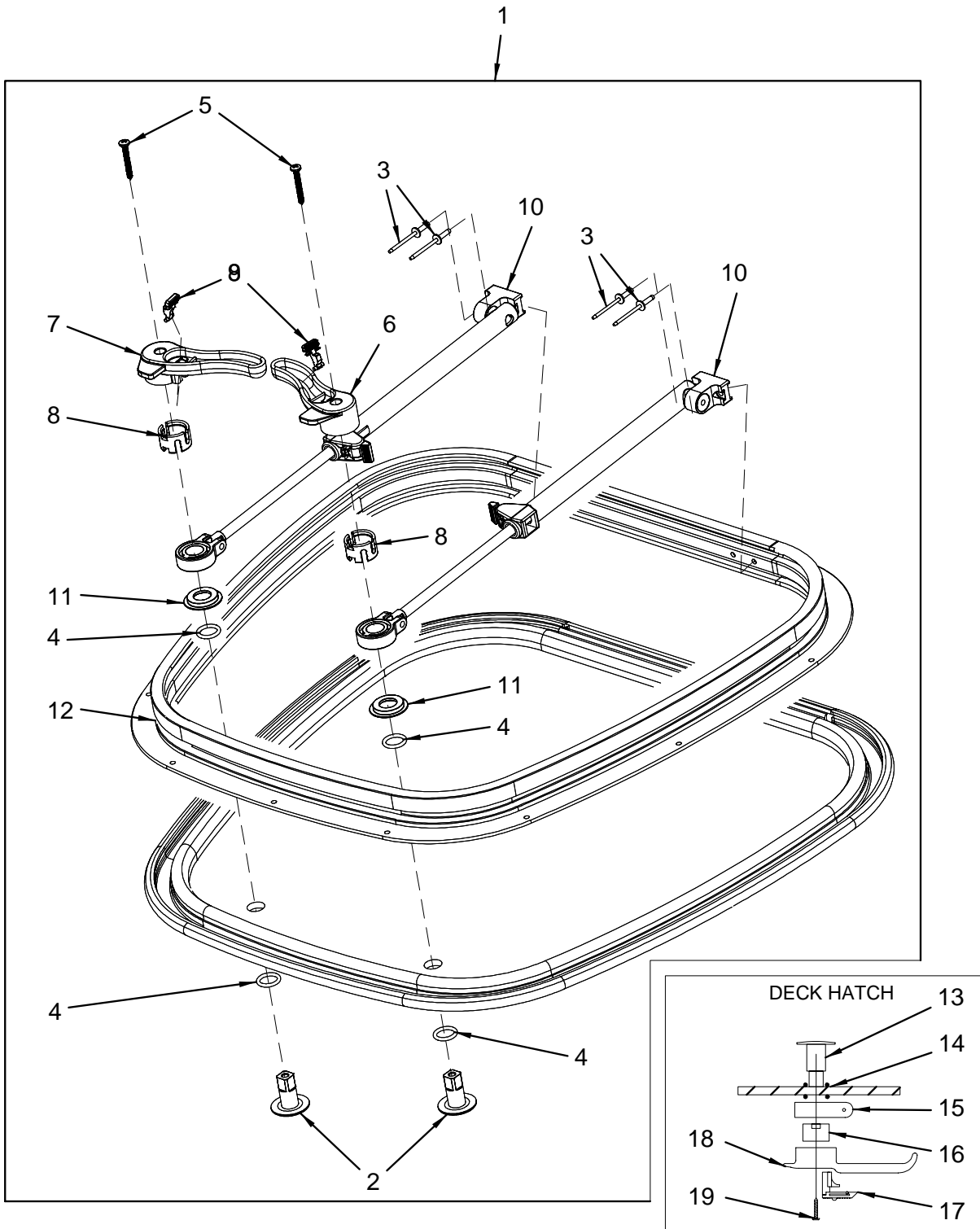
EXTERIOR (DECK)



EXTERIOR (DECK)

1	1777988	CLEAT, 10" SEA RAY SS 2-BOLT	26	1408210	MESH, BLACK VINYL NET
	1473057	PLATE, BACKING CLEAT 1/4"X 2.5"X 5"	27	1048834	A/C COMP, HOSE RING 4" RND PLAS
2	1752438	DECK PLATE, WASTE SS BLK CLR-CODE W/INT SYMBL	28	1910823	340SDA 08,HATCH,ANCHOR FBRGLS
	522581	DECK PLATE, CAP W/CHAIN		175257	BUMPER, WHT LARGE ROUND 0.88"WD X 0.40"HG
	522599	KEY, DECK PLATE CAP (PART OF 1752438)	29	1480813	LATCH, FLUSH MOUNT ROUND T-HNDL SS W/PAWL
3	1109313	DECK PLATE, GAS SS 1.5" RED CLR-CODE	30	997239	HINGE, SS CONT 1.75"X 14.5" POLISHED
	522557	DECK PLATE, CAP W/CHAIN GAS/WATER	31	816322	TRIM-SEAL, 3/8" W/5/8"BULB LOC-A
	522599	KEY, DECK PLATE CAP (PART OF 1109313)	32	156893	WEBBING, POLYPROPYLENE 1" BLACK
	1184746	DECK PLATE, DSL SS 2"W/1.5"OUTLET GRN CLR-COD	33	844613	HOLDER, P/B WINDLASS CRANK LEWMAR CONCEPT
	522599	KEY, DECK PLATE CAP (PART OF 1109313)	34	1874399	WINDLASS, BENT CLUTCH HANDLE ANTARES1000/1500 (PART OF 1853433)
4	1109321	DECK PLATE, WATER SS BLUE CLR-CODE	35	1837053	HORN, SGL CONCEALED W/SS GRILL/BLADE TERM
	522581	DECK PLATE, CAP W/CHAIN		1883588	HORN, SS GRILL ONLY (PART OF 1837053)
	522599	KEY, DECK PLATE CAP (PART OF 1109321)	36	1853433	WINDLASS, RP/CHN ANTARES 1000 W/2FTS W/SLNOID (ALSO SEE REF# 34, 38 FOR PARTS OF PART)
5	1685662	RAIL, BOW 340DA-03 CMPLT WELDED		1874393	WINDLASS, SOLENOID 12V ASTER700/ANTARES1000 (PART OF 1853433)
	1745184	PLATE, BACKING BOW RAIL (PART OF 1685662)		1884118	WINDLASS, RP/CHN ANTARES 1000 (WINDLS ONLY) (PART OF 1853433)
6	1606250	SKYLIGHT, PLEX DECK 14"GRY W/2.25"BDR		1878558	WINDLASS, ANTARES 1000 W/2FTSW/SLNOID/CAP
	1910854	340SDA 08,FILR,SKYLIGHT SLN		1185099	BRKR, SURF MNT THERMAL 100AMP MANUAL RESET
7	1770647	LIGHT, NAV SIDE SS HORZ 12V W/IMPRVD GASKET	37	1777987	CLEAT, 8" SEA RAY SS 2-BOLT
	1798179	LIGHT, NAV SIDE SS LENS CVR ONLY(RED/PRT) (PART OF 1770647)		793471	PLATE, BACKING UNIVERSAL 3/16"
	1798182	LIGHT, NAV SIDE SS LENS CVR ONLY(GRN/STB) (PART OF 1770647)	38	1884137	WINDLASS, FOOTSWITCH DOWN WHT (PART OF 1853433)
	1423946	BULB, REPL FOR #1414895 12V (PART OF 1770647)		1884138	WINDLASS, FOOTSWITCH UP WHT (PART OF 1853433)
8	1659960	RAIL, DECK RUNNER 320DA-02 P/S	39	1754590	SPOTLIGHT, 5" SS GUEST
	1752374	LABEL, SUN PAD WARNING UNDERWAY		1759435	BULB, REPL FOR #1754590 SPOTLIGHT (PART OF 1754590)
9	1898184	HATCH, DECK TRAPEZOID ARC W/ULTRA 3 (HULL# 1297 -> UP)(SEE TRAPEZOID HATCH SECTION FOR PARTS BREAKDOWN)	40	1196641	PAD, HDPE 340DA-99 CHAIN GUARD ARW
	1688217	HATCH, DECK TRAPEZOID ARC WHT (HULL# 1201 -> 1296) (SEE TRAPEZOID HATCH SECTION FOR PARTS BREAKDOWN)	BRACKETS		
10	1246396	DAVIT, ANCHOR W/4"ROLLER 3/8"BAIL RV1		836007	BRACKET, ALUM 1.5"X 1.5"X 3" 3/16"HOLES
	1727453	ROLLER, ANCHOR DAVIT F/1073097/1784251 (PART OF 1246396)	LABELS		
	1850682	ROLLER, ANCHOR DAVIT SML F/1073097 (PART OF 1246396)	1750454	DECAL, SEA RAY OWNERS CLUB (NBOA) RV	
11	819334	HOOK, SNAP 5/16"X 3 1/8" SS	614867	DECAL, "SLING" LARGE (VAC PAC)	
12	805499	LANYARD, CABLE ANCHOR 1/8"X 16"SS	1743532	LABEL, SLING (LEXAN)	
13	697508	EYE, BOW 3/8"X 2.75"	1745518	LABEL, WINDLASS BRKR	
	1473040	PLATE, BACKING UNIVERSAL 3/16"	129122	LABEL, NMMA CERTIFIED	
14	1145275	ANCHOR SHACKLE, JAW/JAW SWIVEL HVY DTY 3/8"	1745117	LABEL, PRT (LEXAN) 95	
15	1788177	ROPE/CHN KIT, LOFRANS 9/16"X200/5/16"X25' HT	1745116	LABEL, STB (LEXAN) 95	
	489575	CHAIN, HIGH TEST 5/16"X 125' (WINDLASS - LOFRANS - CHAIN)	1811367	LABEL, DANGER CO TRANSOM 06	
	1031715	GUARD, HDPE 1/2"X 5.25"X 6" WINDLASS CHAIN (WINDLASS - LOFRANS - CHAIN)	1752374	LABEL, SUN PAD WARNING UNDERWAY	
	1048743	CHAIN STOP, SS W/LANYARD (WINDLINE) (WINDLASS - LOFRANS - CHAIN)	1745515	LABEL, WARNING DO NOT STAND/WALK THIS AREA	
16	1733352	ANCHOR, 25LB PLOW	1745513	LABEL, WARNING LEAKING FUEL	
17	1453992	PORTLIGHT, OPENING ALL SS 3/8"-7/8" MOD REV1 (SEE REF# 18 - 23 FOR PARTS OF PART)	1745518	LABEL, WINDLASS BRKR	
	1454008	PORTLIGHT, OPENING ALL SS 3/8"-7/8" FROS REV1 (HEAD ONLY)(SEE REF# 18 - 23 FOR PARTS OF PART)	1791388	DECAL, MERCURY CERTIFIED INSTALLER	
	1314459	PORTLIGHT, GASKET SATURATED FOAM (PART OF 1454008)	1806416	DECAL, SIRIUS "NOW PLAYING INSIDE"	
18	866434	KNOB, PORTLIGHT KNOB ONLY (BOMAR) (PART OF 1453992 & 1454008)	1808431	DECAL, SIRIUS ACTIVATION ORNG/BLUE 6 MONTH	
19	1513183	TRIM RING, PORTLIGHT 3/8" SS (PART OF 1453992 & 1454008)	NOT SHOWN		
20	1107044	PORTLIGHT, HANDLES QUICKDOGS (BOMAR) (PART OF 1453992 & 1454008)	1220441	TAPE, FOAM SGL FACE WHT VINYL 3/8"X 72YD	
21	1331750	PORTLIGHT, LENS ONLY (BOMAR) (PART OF 1453992)	1424597	CYLINDER, GAS SS 20PSI 15"EXT X 9"COMP (ROPE LOCKER HATCH)	
	1331727	PORTLIGHT, LENS ONLY FROSTED (BOMAR) (HEAD ONLY) (PART OF 1454008)	THRU- HULLS		
22	1331735	PORTLIGHT, GASKET ONLY (BOMAR) (PART OF 1453992 & 1454008)	124578	THRU-HULL, PLAS 1 1/8" WHT	
23	1331313	PORTLIGHT, SCREEN 3/8"X 7/8" (PART OF 1453992 & 1454008)	182964	THRU-HULL, PLAS 3/4" WHT	
24	1673565	RUBRAIL, PVC ARCWHT 19"SS INSERT 1.825"WIDE	124487	THRU-HULL, PLAS 5/8" WHT	
	1675313	TAPE, NORSEAL 0.125"X 7/8"X 100' SWIVEL FREE (GUNNEL GASKET)	VAC PACK		
25	1080100	INSERT, RUB RAIL SS 3/4"X 12' (.062/304SS)	642504	BUBBLE PACK, ADH 6"X 300'	
26	1689286	BOX, DR/ABS 340DA-03 STBD VENT	614867	DECAL, "SLING" LARGE (VAC PAC)	
	1689287	BOX, DR/ABS 340DA-03 PORT VENT	1872342	LABEL, STICKER SEARAY LOGO OVAL 11 1/2" X 47"	
			519611	STRAPPING, CLOTH RAYON	
			413070	TAPE, VAC PAK WHT (2"X 36YDS) PRESERVATION	
			468934	TAPE, VAC PAK WHT (4"X 36YDS) PRESERVATION	
			1444603	VINYL FILM, VAC PACK SHRINK 7MM X 24"X 248'	
			524868	VINYL FILM, VAC PACK ZIPPER DOOR 30"X 48"WHT	
			1766058	VINYL FILM, 340SDA-04 PLAS CVR (TRANS-SHIELD COVER (SHIPPING COVER))	

TRAPEZOID DECK HATCH

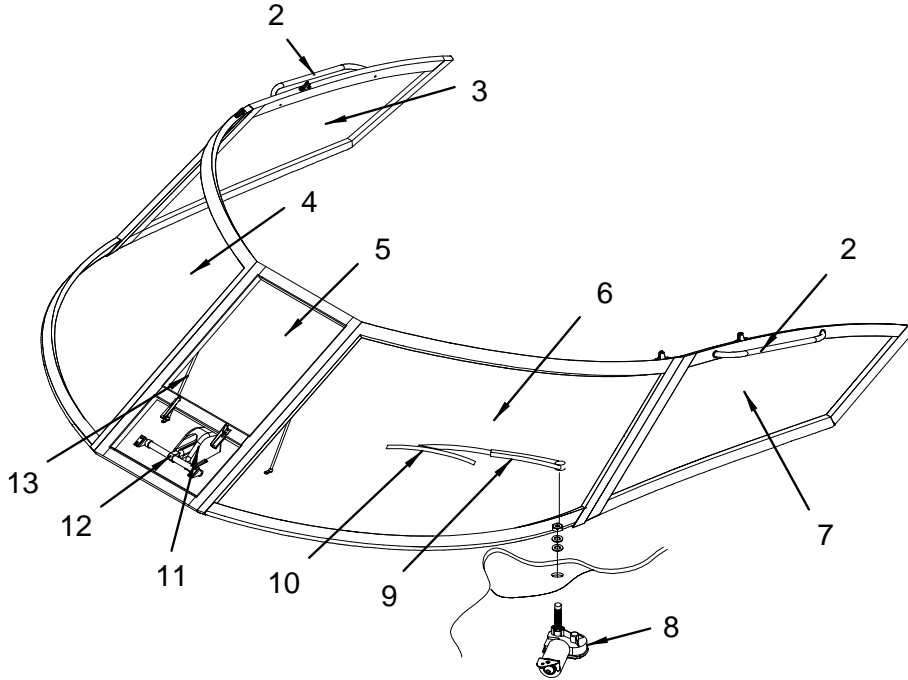


TRAPEZOID DECK HATCH

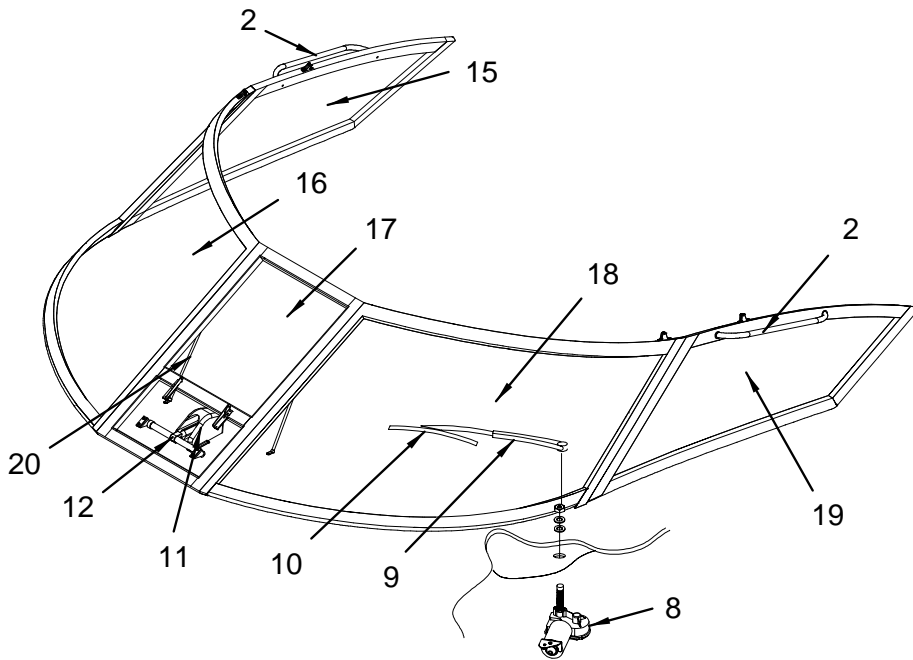
- 1 1898184 HATCH, DECK TRAPEZOID ARCW ULTRA 3
(HULL# 1297 -> UP)(SEE REF# 2-12 FOR PARTS OF PART)
- 1688217 HATCH, DECK TRAPEZOID ARC WHT
(HULL# 1201 -> 1296)
(ALSO SEE REF# 13-19 FOR PARTS OF PART)
- 1797142 HATCH, DECK KNOB PHYSCHOKNOB 05
(HULL# 1201 -> 1296)(PART OF 1688217)
- 460337 ARM, DECK HATCH ADJ 20X20 "PAIR ONLY"
(HULL# 1201 -> 1296)(PART OF 1688217)
- 1745363 GASKET, DECK HATCH TRAPEZOID
- 2 1937421 HATCH, POST
(HULL# 1297 -> UP)(PART OF 1898184)
- 3 1937425 HATCH, SSB6-6S MARSON RIVET
(HULL# 1297 -> UP)(PART OF 1898184)
- 4 1937428 HATCH, POST O RING
(HULL# 1297 -> UP)(PART OF 1898184)
- 5 1937429 HATCH, SCREW #10
(HULL# 1297 -> UP)(PART OF 1898184)
- 6 1937432 HATCH, HANDLE RIGHT
(HULL# 1297 -> UP)(PART OF 1898184)
- 7 1937434 HATCH, HANDLE LEFT
(HULL# 1297 -> UP)(PART OF 1898184)
- 8 1937435 HATCH, PIVOT ADAPTER
(HULL# 1297 -> UP)(PART OF 1898184)
- 9 1937436 HATCH, PIVOT LOCK
(HULL# 1297 -> UP)(PART OF 1898184)
- 10 1937437 HATCH, UL3 9" BODY W/11" RACK
(HULL# 1297 -> UP)(PART OF 1898184)
- 11 1937438 HATCH, SHADE SPACER
(HULL# 1297 -> UP)(PART OF 1898184)
- 12 1937440 HATCH, TRAP CVR ASSY
(HULL# 1297 -> UP)(PART OF 1898184)
- 13 632794 HATCH, ALL HATCH SIZES MUSHROOM OR POST
(HULL# 1201 -> 1296)(PART OF 1688217)
- 14 632778 HATCH, O-RING
(HULL# 1201 -> 1296)(PART OF 1688217)
- 15 701466 HATCH, ARM UNIV PIVOT ALL SIZES
(HULL# 1201 -> 1296)(PART OF 1688217)
- 16 802819 HATCH, ALL HATCH SIZES PIVOT LATCH ADAPTER
(HULL# 1201 -> 1296)(PART OF 1688217)
- 17 802827 HATCH, HATCH HANDLE
(HULL# 1201 -> 1296)(PART OF 1688217)
- 18 802801 HANDLE, DECK HATCH LATCHING
(HULL# 1201 -> 1296)(PART OF 1688217)
- 19 802793 HATCH, SCREW 3/8" PLEX
(HULL# 1201 -> 1296)(PART OF 1688217)

EXTERIOR (WINDSHIELD)

1 — ALUMINUM WINDSHIELD COMPLETE



14 — STAINLESS STEEL WINDSHIELD COMPLETE



EXTERIOR (WINDSHIELD)

- 1 1689908 W/S, 340DA-03 ALUM CMPLT W/VADNEY CLIP SYSTEM
(ALSO SEE REF# 3,4,5,6,7 & 13 FOR PARTS OF PART
BREAKDOWN)
- 1739231 W/S, 340SDA-03 HDWR KIT
(PART OF 1689908)
- 1739411 W/S, 340SDA-03 SCREW CVR
(PART OF 1689908)
- 2 1747839 RAIL, GRAB 24" STRM .75"TB W/.25"STD/FLG 316L
- 3 1739230 W/S, 340SDA-03 STB WING
(PART OF 1689908)
- 4 1739227 W/S, 340SDA-03 STB FRNT
(PART OF 1689908)
- 5 1739228 W/S, 340SDA-03 CTR
(PART OF 1689908)
- 6 1739226 W/S, 340SDA-03 PRT FRNT
(PART OF 1689908)
- 7 1739229 W/S, 340SDA-03 PRT WING
(PART OF 1689908)
- 8 1748551 WIPER MOTOR, 100 DEG (AM)
- 9 1751368 WIPER ARM, 20" FLEX BLK
- 10 1749058 WIPER BLADE, 20" FLEX BLK (AM)
- 11 1409929 COVER, ABS W/S VENT ACTUATOR ARW
- 1762821 COVER, ABS W/S VENT ACTUATOR NCKL
(GEL-COATED DASH - NICKEL)
- 12 1100262 ACTUATOR, ELEC W/S VENT 4"8P CE
- 13 1739412 W/S, 340SDA-03 SUPPORT BARS ALUM
(PART OF 1689908)
- 14 1893695 W/S, 340SDA-07 SS CMPLT W/SNAPS BALL/SCKT MNT
(ALSO SEE REF# 15 - 20 FOR PARTS OF PART BREAKDOWN)
- 1799774 W/S, 340SDA-06 SS CMPLT W/SNAPS BALL/SCKT MNT
(HULL# 1201)(SEE REF# 15 - 20 FOR PARTS OF PART
BREAKDOWN)
- 1937653 W/S, 340SDA-07 SS SCREW CVR
(PART OF 1893695)
- 1937657 W/S, 340SDA-07 SS HWD LIT
(PART OF 1893695)
- 15 1937650 W/S, 340SDA-07 SS STB WING
(PART OF 1893695)
- 1809225 W/S, 340SDA-06 STB WING
(HULL# 1201)(PART OF 1799774)
- 16 1937645 W/S, 340SDA-07 SS STB FRNT
(PART OF 1893695)
- 1809226 W/S, 340SDA-06 STB FRNT
(HULL# 1201)(PART OF 1799774)
- 17 1937647 W/S, 340SDA-07 SS CTR
(PART OF 1893695)
- 1809227 W/S, 340SDA-06 CTR
(HULL# 1201)(PART OF 1799774)
- 18 1937644 W/S, 340SDA-07 SS PRT FRNT
(PART OF 1893695)
- 1809228 W/S, 340SDA-06 PRT FRNT
(HULL# 1201)(PART OF 1799774)
- 19 1937649 W/S, 340SDA-07 SS PRT WING
(PART OF 1893695)
- 1809229 W/S, 340SDA-06 PRT WING
(HULL# 1201)(PART OF 1799774)
- 20 1937655 W/S, 340SDA-07 SS SUPT BARS
(PART OF 1893695)
- 1809230 W/S, 340SDA-06 SUPPORT BARS SS
(HULL# 1201)(PART OF 1799774)

HARNESSES

- 1774618 HARNESS, MOTOR AM WIPER 6" PIGTAIL W/CONN

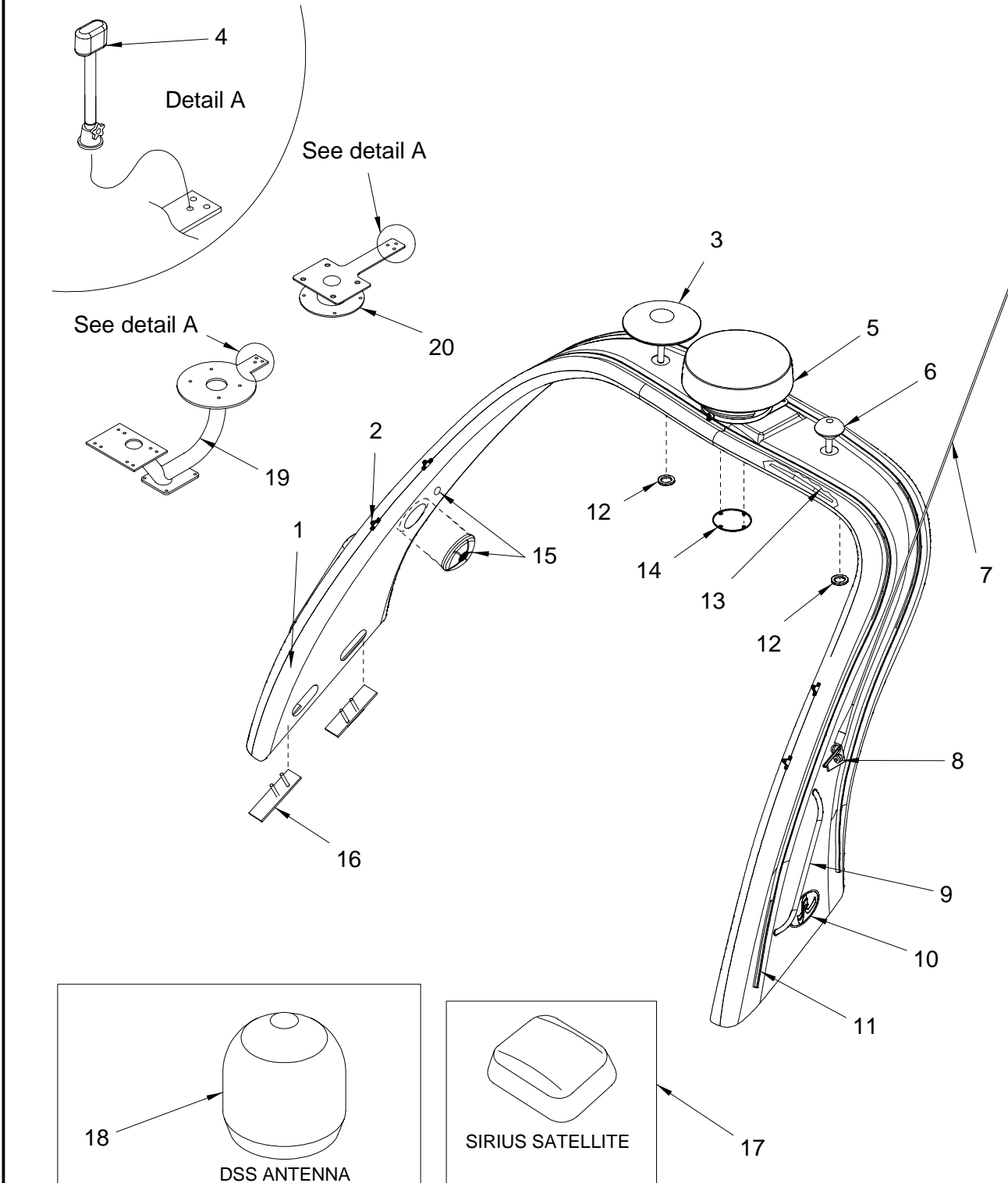
LABELS

- 1750454 DECAL, SEA RAY OWNERS CLUB (NBOA) RV

NOT SHOWN

- 156893 WEBBING, POLYPROPYLENE 1" BLACK
(BLACK MATERIAL USED TO MAKE THE STRAP THAT HOLDS
WINDSHEILD OPEN)

EXTERIOR (SPOILER)



EXTERIOR (SPOILER)

- 1 1691181 FBRGLS PART, 340DA-03 SPOILER
- 2 174995 HINGE, DECK FLAT 1" CONV TOP SS
- 3 792325 ANTENNA, TV GLOMAX ASSY W/CONN
- 1803748 MOUNT, ANTENNA TV GLOMAX ASSY W/CONN
(PART OF 792325)
- 881383 GASKET, GLOMAX TV GPS MOUNT BLK
- 145011 CONN, COAX TV CABLE MALE
- 4 1887390 LIGHT, NAV MASTHEAD COMBO 12 13/16" W/24"WIRE
(HULL# 1323 -> UP)
- 1754418 LIGHT, NAV MASTHEAD COMBO #1181 W/18" WIRE
(HULL# 1201 -> 1322)
- 291203 BULB, MASTHEAD NAV LIGHT 24V/10W
(PART OF 1887390 & 1754418)
- 646356 BULB, DBL END 12V FOR #0256313/794826
(PART OF 1887390 & 1754418)
- 1883423 LIGHT, NAV MASTHEAD COMBO 30" CHR BASE
(HULL# 1201 -> 1322)
- 1805560 LIGHT, NAV MASTHEAD COMBO 24" FOLD-DOWN
- 659466 BULB, DBL END CLEAR 12V
(PART OF 1805560)
- 5 1839231 RADAR, RAYMARINE 2KW 18" RADOME N/CABLE
- 1875619 EXTENSION, CABLE 5M RAYDOME 90DEG
- 1879739 CABLE, RAYDOME 5M W/90DEG CONN
- 6 1800496 GPS, RAYSTAR RS125 SENSOR NMEA & SEATALK
- 788711 MOUNT, ANTENNA DECK GPS SS
(RAYMARINE C80 CHART PLOTTER / GPS / RADAR)
(SPORTSMAN'S PACKAGE ELECTRONICS - RAYMARINE)
- 881383 GASKET, GLOMAX TV GPS MOUNT BLK
- 822619 BUSHING, WATER TIGHT 1.25"OD
- 1186352 CABLE, SEATALK 3' FLAT
(TVD-YANMAR 6LPSTP/C80(8")CHART PLOTTER/RADAR)
(TVD-YANMAR 6LPSTP/C80 GPS CHARTPLOTTER)
- 7 1777084 ANTENNA, 8'PREMIUM VHF ANTENNA W/CONN
- 8 1481258 MOUNT, RATCHET VHF SS W/GROMET & GASKET
- 122853 FITTING, WATER TIGHT OUTLET FOR 5/16" CABLE
- 822619 BUSHING, WATER TIGHT 1.25"OD
- 9 1747838 RAIL, GRAB 24" STRMLN W/STUD FLANGES 316L
- 10 1443225 EMBLEM, S/R WAVE 8" OVAL CHR TRNSM
- 11 728014 TRACK, VINYL AWNING WHITE "FLEX-A-RAIL" 7.5'
- 12 1227412 LIGHT, NAV STERN FLUSH MT RND CHR/BRS N/STUDS
- 901199 BULB, STERN NAV LIGHT REPL #137406-1227412
(PART OF 1227412)
- 13 1581560 ANTENNA, AMPLIFIED 13398
- 14 137349 ACCESS PLATE, PLAS CVR 5" WHT
- 1523901 ACCESS PLATE, PLAS SPOILER 8.75" ARW
- 15 1690557 SPEAKER, COAXIAL 6.5" N/CVR
- 1690558 GRILL, SPEAKER 6.5" ACOM WHT
- 1854215 SPEAKER, JL COMPONENT
(GRILL NOT SOLD SEPARATELY AT THIS TIME)(PREMIUM
COCKPIT SOUND SYSTEM - 12 VOLT)
- 16 1625078 PLATE, SS SPOILER MNT W/2STUD 1/2"X3.5"
(MOUNTING BACKING PLATE FOR ARCH, NEED 4 PER BOAT)
- 152785 NUT, HEX NYLON LOCK #1/2-13 SS
(MOUNTING NUT FOR ARCH, NEED 8 PER BOAT)
- 17 1890164 ANTENNA, SHAKESPEARE SIRIUS SAT RADIO RV1
- 1772076 EXTENSION, CABLE 20'/15' FM RECEIVER W/CONN
- 1808431 DECAL, SIRIUS ACTIVATION ORNG/BLUE 6 MONTH
- 18 1907407 ANTENNA, DSS TRAC VISION M3 ST W/KVH MOBL REC
(HULL# 1249 -> UP)
- 1839454 ANTENNA, DSS TRAC VISION M3 W/12V RECVR
(HULL# 1201 -> 1248)
- 1909175 VIDEO, DIGITAL AUDIO MODULATOR TRACVISION M3
- 1688700 LABEL, RCA DSS UNIT
- 19 1849334 SUPPORT, ALUM SATELLITE KVH M3/JRC RADAR WHT
- 20 1882099 SUPPORT, ALUM NRTHSTR/RAYMAR RADAR WHT

HARNESSES

- 1581172 HARNESS, 300/320DA-02/340DA-03 SPOILER

LABELS

- 1688700 LABEL, RCA DSS UNIT

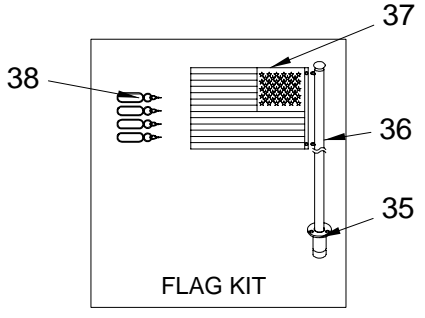
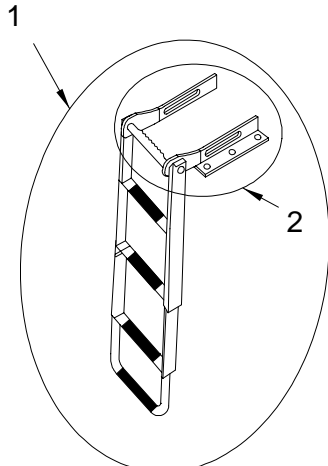
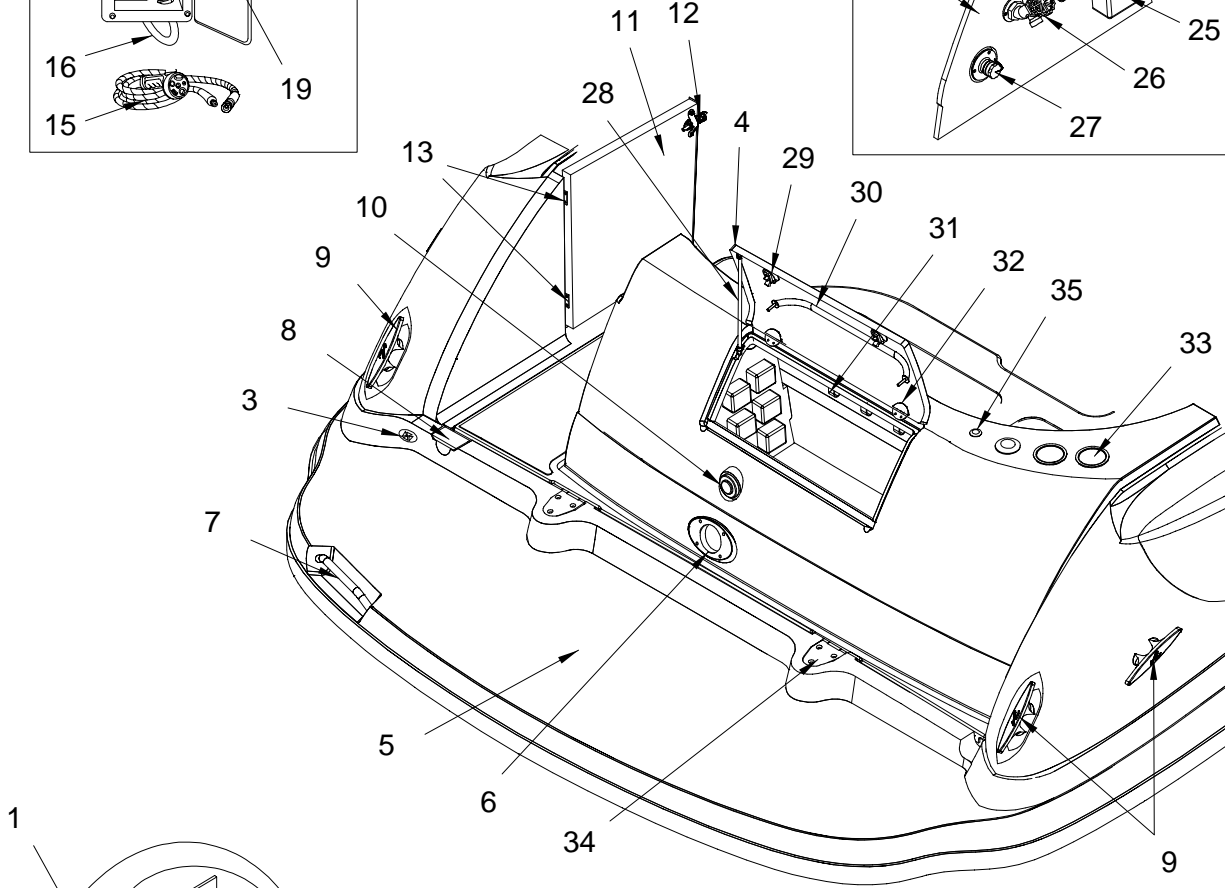
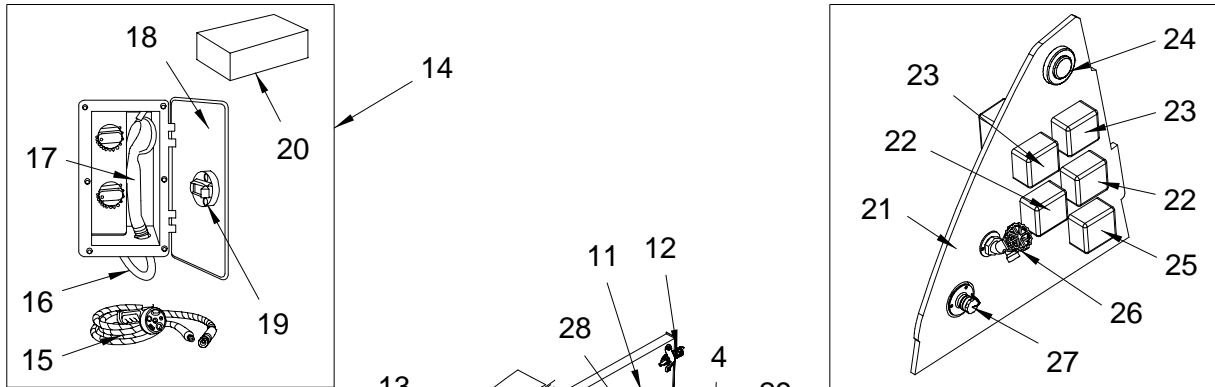
NOT SHOWN

- 533430 VENT, CLAMSHELL ROPE LCKR 2"X2"

SPLIT CONDUIT

- 1501865 HOSE, CONDUIT/SPLIT 1.25" FLAME RETARDANT

TRANSOM STORAGE & SWIM PLATFORM



TRANSOM STORAGE & SWIM PLATFORM

- 1 1850876 LADDER, SWIM 4-STEP SS UNDRMNT RND 30DEG
1907028 LADDER, TEL RND 4-STEP UNDRMNT SECTIONS
(PART OF 1850876)
1907029 LADDER, STOP BLOCK RND 4-STEP 5&30 DEG W/HDWR
(PART OF 1850876)
1907030 LADDER, GUDGEON 19.25"X 19" UNDRMNT SS
(PART OF 1850876)
- 2 1907027 LADDER, SLIDE BAR LATCH SPRING KIT
(PART OF 1850876)
- 3 1803477 STEREO, REMOTE CNTRL N/DSP/L BLK FACE/SS BZL
(2ND STEREO REMOTE CONTROL -TRANSOM)
935080 CABLE, CLARION DUAL REMOTE "Y"
(2ND STEREO REMOTE CONTROL -TRANSOM)
- 4 1911437 340SDA 08,LID,TRNSM STRG FBRGLS
5 1911433 340SDA 08,SWMPLTFM,FBRGLS
1798061 TEAK, 340SDA CKPT FWD/HTCH/PRT HELM/SWM STD
(TEAK COCKPIT & SWIM PLATFORM)
- 6 981092 INSERT, HDPE OVAL HAWSE HOLE ARW
7 1691260 RAIL, GRAB 13.75" RND 1" TUBE SS
8 1691298 COVER, HDPE 340DA-03 SCPR DRAIN
9 1777988 CLEAT, 10" SEA RAY SS 2-BOLT
1473057 PLATE, BACKING CLEAT 1/4"X 2.5"X 5"
- 10 1227412 LIGHT, NAV STERN FLUSH MT RND CHR/BRS N/STUDS
901199 BULB, STERN NAV LIGHT REPL #137406-1227412
(PART OF 1227412)
- 11 1683870 DOOR, PLEX 320DA-02 TRNSM W/HDWR
(SEE REF# 12 & 13 FRO PARTS OF PART BREAK DOWN)
1687583 SWITCH, MAGNETIC TRANS DOOR GRY
- 12 159103 BOLT, BARREL CHR 4 7/16" BOLT 5.25" LOA
(PART OF 1683870)
190579 BUSHING, NYLON 0.76" OD X 3/8" SHAFT
156893 WEBBING, POLYPROPYLENE 1" BLACK
175257 BUMPER, WHT LARGE ROUND 0.88" WD X 0.40" HG
- 13 1523604 HINGE, SS 3"X 2"
(PART OF 1683870)
- 14 736702 FAUCET, WASHDOWN BOX W/MIXER (AQUATIK) VERT
(ALSO SEE REF# 15,16,17,18 & 19 FOR PARTS OF PART)
1298710 FAUCET, CARTRIDGE CERAMIC 90DEG LH
(PART OF 736702)
1302504 FAUCET, CARTRIDGE CERAMIC 90DEG RH
(PART OF 736702)
1848792 FAUCET, WASHDOWN RUBBER SHOWERHEAD HLDR
(PART OF 736702)
- 15 1302579 FAUCET, WASHDOWN SHOWER UNIT ONLY (AQUATIK)
(PART OF 736702)
- 16 1302595 FAUCET, WASHDOWN HOSE W/FPT ONLY (AQUATIK)
(PART OF 736702)
- 17 1302603 FAUCET, WASHDOWN SPRAYER HEAD ONLY (AQUATIK)
(PART OF 736702)
- 18 1302587 FAUCET, WASHDOWN DOOR ONLY (AQUATIK)
(PART OF 736702)
- 19 1742646 LATCH, WASHDOWN DOOR (AQUATIK)
(PART OF 736702)
- 20 1749388 GALVANIC ISOLATOR, PROSAFE 30AMP (ISOL ONLY)
21 1691126 BLKHD, LDPVC 340DA-03 TRNSM WALL SHRPWR
22 133678 INLET, SHORE POWER WHT 125V 30A
206276 INLET, SHORE POWER WHT 220V/50H 16A
1244367 CORD SET, 120V/30A 50FT POWERCORD PLUS
206268 CORD SET, 220V/50H 16A 50FT
133652 ADAPTER, SHORE CORD 125V/30A(F)-125V/15A(M)
- 23 829416 INLET, "MAIN BRKR" HOUSING WHT
582445 BRKR/TOGGLE, 2-POLE AC MED DELAY 35A
826867 BRKR/TOGGLE, 2-POLE AC MED DELAY 25A
- 24 840868 LIGHT, COURTESY ROUND W/FROSTED LENS 12V/5W
1192368 BULB, REPL FOR #0840868 12V/5W
(PART OF 840868)
- 25 133694 INLET, PHONE/TV CABLE COMBO WHT
136093 CORD SET, PHONE 50FT
136085 CORD SET, TV CABLE 50FT
- 26 1096262 FAUCET, SILLCOCK WASHDOWN (WHITECAP)
27 141168 INLET, WATER W/PRESS REGULATOR WHT
28 1425362 CYLINDER, GAS SS 40PSI 12" EXT X 8" COMP
634550 BRACKET, SS GAS CYL 90DEG L-BRKT W/BALL LONG
- 29 1781434 LATCH, FLUSH MNT N/LOCKING SLAM SS
1781435 PLATE, CUP BRKT 2" LONG SCREW W/HDWR PKG
- 30 1747838 RAIL, GRAB 24" STRMLN W/STUD FLANGES 316L
31 855809 ROPE, DOCKLINE STRAP WHT W/HDWR (SHORT STYLE)
32 1338821 HINGE, SS STRAP 2.56" X 2.56" X 1/4"
33 1812917 HOLDER, DRINK SS 4"X 3" MUG SZ PLSHD RIM
34 1683753 HINGE, SS 320DA-02 CKPT HATCH
1717451 PLATE, BACKING CKPT HATCH HINGE 1 3/16"X 8"
1717452 PLATE, BACKING CKPT HATCH HINGE 4"X 4 13/16"
35 1848879 HOLDER, FLUSH MOUNT MAGNETIC STERN FLAG POLE

- 36 1838431 POLE, FLAGSTAFF SS MAGNETIC SPRTBT/SPRTCRRS
37 1838426 FLAG, USA 16" X 24"
38 1854249 CLIP, FLAG KEY RING 302SS

ADHESIVES

- 1831631 ADHESIVE, BOSTIK 940FSA BLK 20 OZ SAUSAGE PK
1831632 ADHESIVE, BOSTIK 940FSA BLK 10 OZ SAUSAGE PK

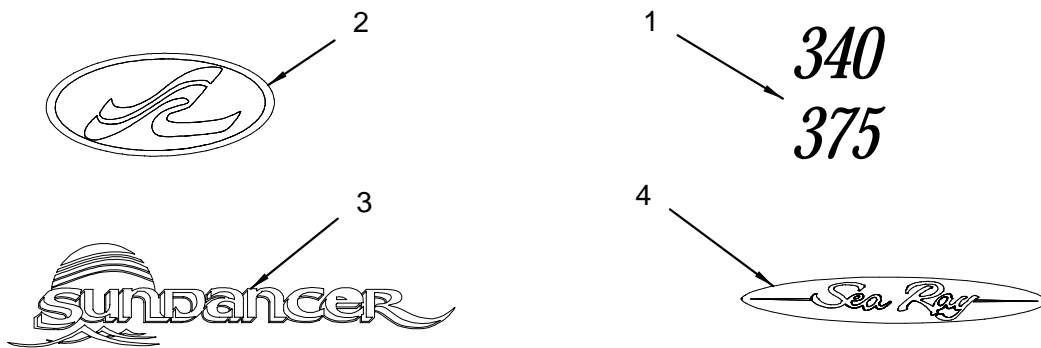
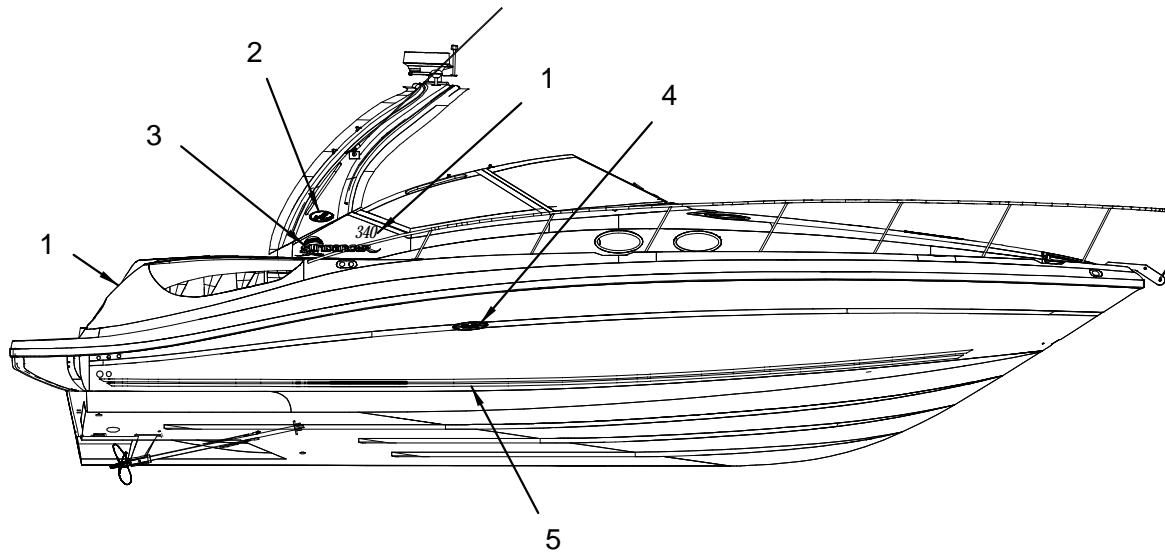
LABELS

- 1743571 LABEL, DANGER TRANSOM DOOR (LEXAN)
1743534 LABEL, FRESH WATER (LEXAN)
1743512 LABEL, "LINE 1" (LEXAN)
1743513 LABEL, "LINE 2" (LEXAN)
1751886 LABEL, NOTICE TRANSOM DOOR/HATCH LIFT
1743616 LABEL, UNPLUG SHORE POWER WARNING

UNDERWATER LIGHTS

- 1895054 LIGHT, UNDRWTR SV16/12V 55W HAL W/BRS RING
(THRU HULL UNDER WATER LIGHTS)
1774634 LIGHT, UNDRWTR 12V/50W HALOGEN SEALED BEAM
(UNDER SWIM PLATFORM LIGHTING)

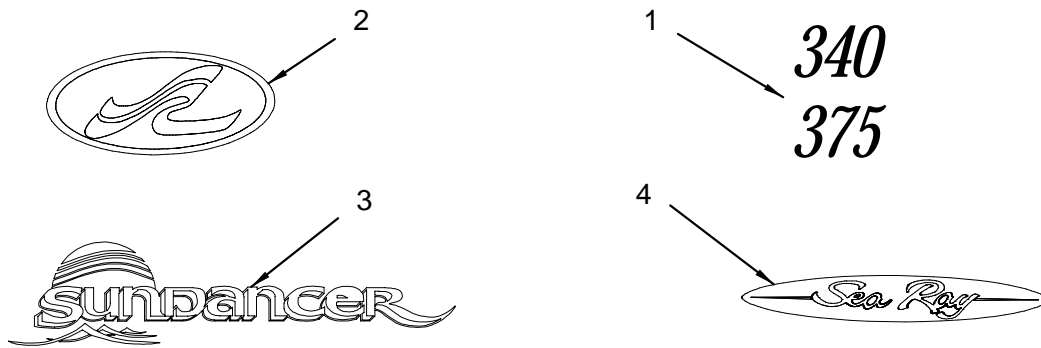
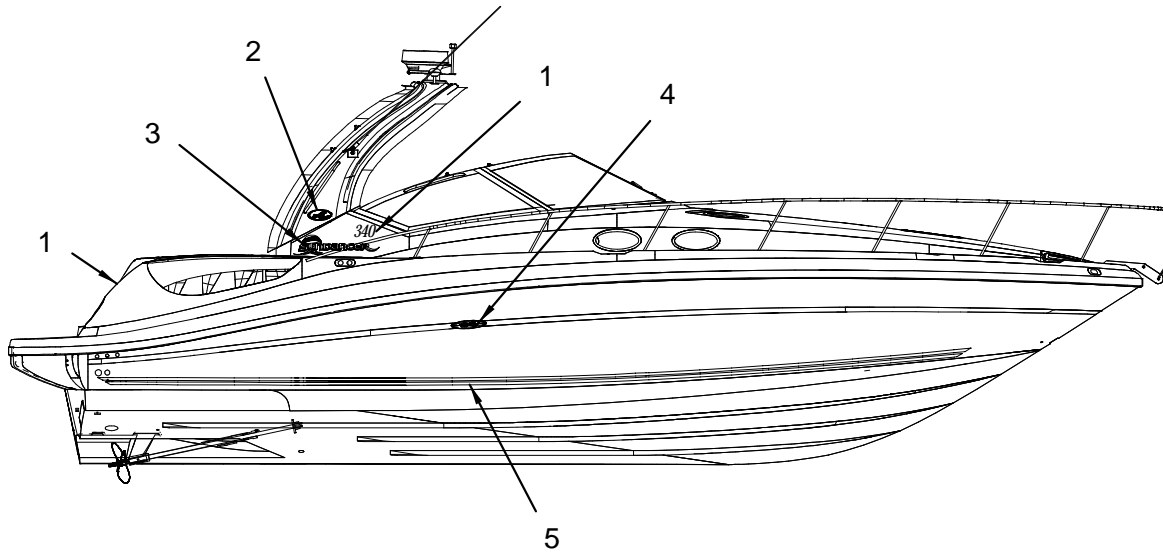
EXTERIOR (GRAPHICS) BLACK



EXTERIOR (GRAPHICS) BLACK

- 1 1529262 EMBLEM, MODEL DESG 340 URETHANE BLK W/CHR
- 1727014 EMBLEM, MODEL DESG 375 URETHANE BLK W/CHR
("375DA" MODEL DESIGNATORS)
(INTERNATIONAL)
- 2 1443225 EMBLEM, S/R WAVE 8" OVAL CHR TRNSM
- 3 1756554 DECAL, "SUNDANCER" BLK/SLVR MET
- 4 1443183 EMBLEM, "SEA RAY" SCRIPT HULL LOGO CHR 13"
- 5 1756548 TAPE, M/S 4"W/1"VOID BLK/SLVR MET
(NOTE: 150 FOOT ROLL OF TAPE)
- 1847819 TAPE, M/S 4"W/1"VOID BLK/SLVR MET
(NOTE: 75 FOOT ROLL OF TAPE)

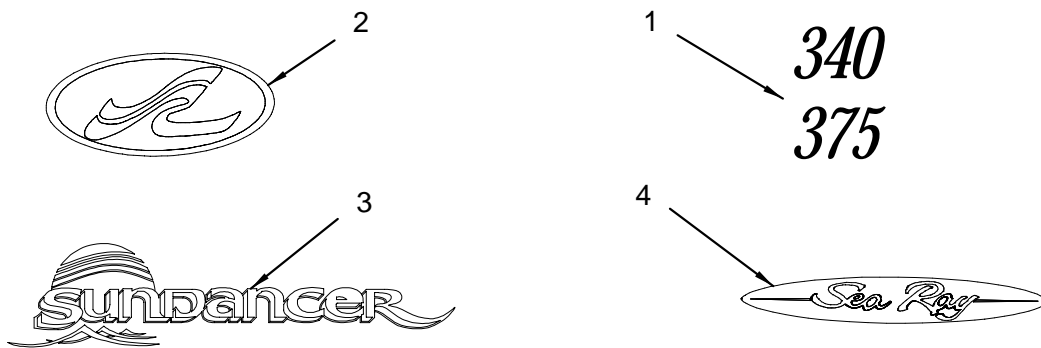
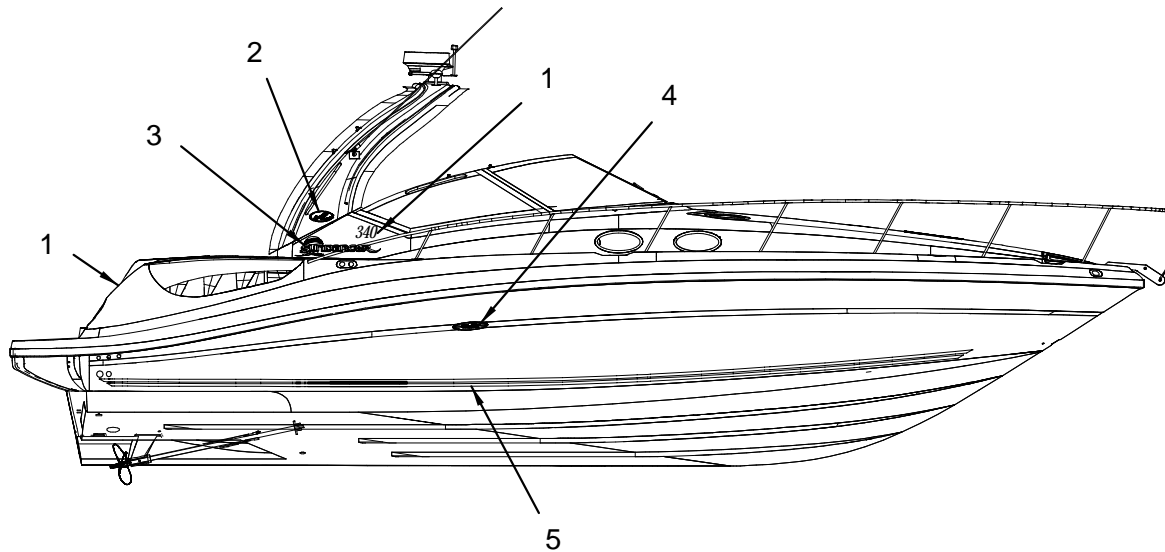
EXTERIOR (GRAPHICS) BLUE



EXTERIOR (GRAPHICS) BLUE

- 1 1529262 EMBLEM, MODEL DESG 340 URETHANE BLK W/CHR
- 1727014 EMBLEM, MODEL DESG 375 URETHANE BLK W/CHR
("375DA" MODEL DESIGNATORS)
(INTERNATIONAL)
- 2 1443225 EMBLEM, S/R WAVE 8" OVAL CHR TRNSM
- 3 1756555 DECAL, "SUNDANCER" DKBL/SLVR MET
- 4 1443183 EMBLEM, "SEA RAY" SCRIPT HULL LOGO CHR 13"
- 5 1756549 TAPE, M/S 4"W/1"VOID DKBL/SLVR MET

EXTERIOR (GRAPHICS) COLORED HULL

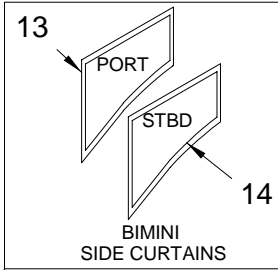
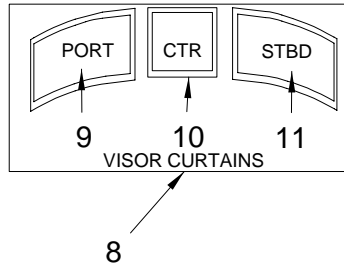
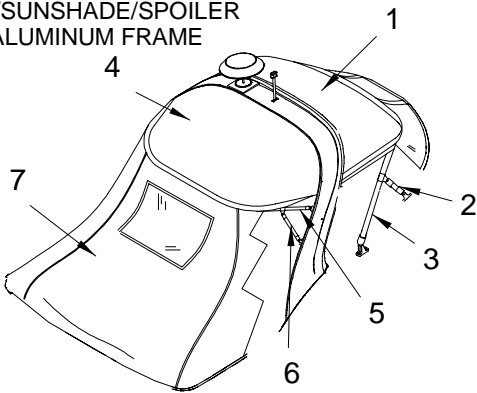


EXTERIOR (GRAPHICS) COLORED HULL

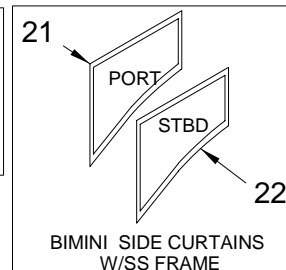
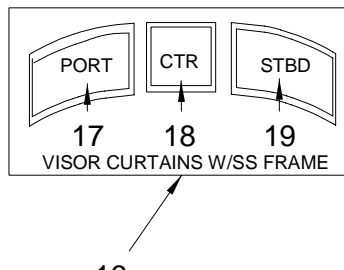
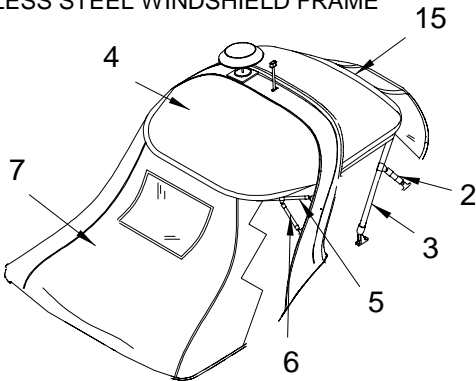
- 1 1529262 EMBLEM, MODEL DESG 340 URETHANE BLK W/CHR
- 1727014 EMBLEM, MODEL DESG 375 URETHANE BLK W/CHR
("375DA" MODEL DESIGNATORS)
(INTERNATIONAL)
- 2 1443225 EMBLEM, S/R WAVE 8" OVAL CHR TRNSM
- 3 1756554 DECAL, "SUNDANCER" BLK/SLVR MET
- 4 1443183 EMBLEM, "SEA RAY" SCRIPT HULL LOGO CHR 13"
- 5 1753015 TAPE, SOLID 3" WHT/WELL AMETHYST N/VOID
- 1804765 TAPE, SOLID 3" PRL WHT/BLKMET N/VOID

CANVAS (BLACK)

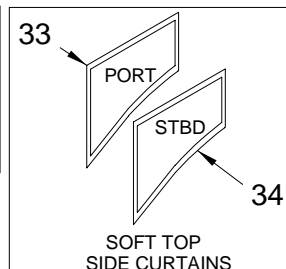
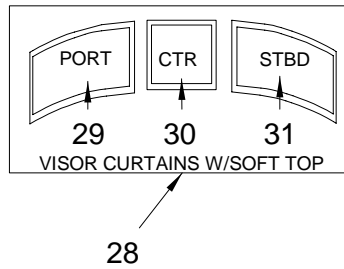
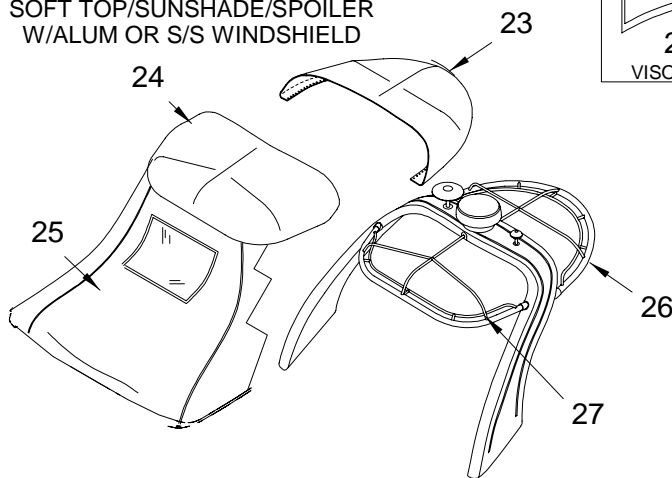
BIMINI/SUNSHADE/SPOILER
W/ALUMINUM FRAME



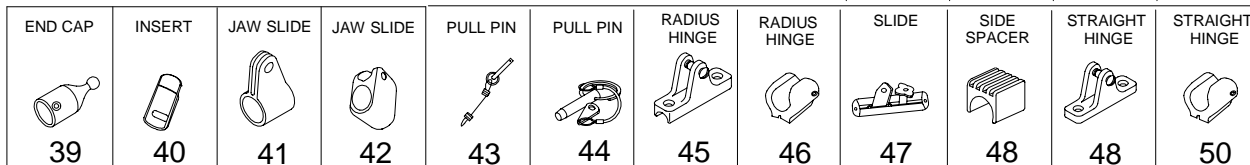
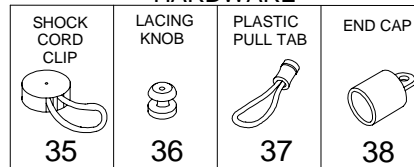
BIMINI/SUNSHADE/SPOILER
W/STAINLESS STEEL WINDSHIELD FRAME



SOFT TOP/SUNSHADE/SPOILER
W/ALUM OR S/S WINDSHIELD



**CANVAS
HARDWARE**



CANVAS (BLACK)

1	1802845	CANVAS, 340SDA-06 BIM TOP W/ALUM W/S BLK
	1809437	CANVAS, 340SDA-06 BIM TOP FAB BLK
	1809439	CANVAS, 340SDA-06 BIM TOP VAL BLK
	1691338	CANVAS, 340DA-03 BIM TOP BOOT BLK
2	1809432	CANVAS, 340DA-06 BIM TOP BOW FWD STNCH/STP
3	1809430	CANVAS, 340DA-06 BIM TOP MAIN BOW W/HDWR
	1809431	CANVAS, 340DA-06 BIM TOP HDWR MNTG PKG
	1809427	CANVAS, 340SDA-06 BIM TOP BOWS W/HDWR
4	1802850	CANVAS, 340SDA-06 SNSHD TOP BLK
	1809441	CANVAS, 340SDA-06 SUNSHADE TOP FAB BLK
	1809443	CANVAS, 340SDA-06 SUNSHADE TOP VAL BLK
5	1809434	CANVAS, 340DA-06 SUNSHADE MAIN BOW W/HDWR
	1809433	CANVAS, 340DA-06 SUNSHADE TOP BOWS W/HDWR
	1809435	CANVAS, 340SDA-06 SUNSHADE TOP MNTG PKG
6	1809436	CANVAS, 340SDA-06 SUNSHADE TOP REAR STNCH/STP
7	1756924	CANVAS, 340DA-04 SNSHD AFT CURT BLK
	1774802	CANVAS, 340DA-05 SNSHD AFT CURT NIGHT FSH BLK
8	1807598	CANVAS, 340SDA-06 VSR CURT W/ALUM 3PC CLR/BLK
9	1809445	CANVAS, 340SDA-06 VSR CURT W/ALUM PT CLR/BLK
10	1809447	CANVAS, 340SDA-06 VSR CURT W/ALUM CTR CLR/BLK
11	1809449	CANVAS, 340SDA-06 VSR CURT W/ALUM STB CLR/BLK
12	1807600	CANVAS, 340SDA-06 SID CURT SET W/ALUM W/S BLK
13	1809451	CANVAS, 340SDA-06 SIDE CURT PT W/ALUM W/S BLK
14	1809453	CANVAS, 340SDA-06 SIDE CURT ST W/ALUM W/S BLK
15	1802848	CANVAS, 340SDA-06 BIM TOP W/SS W/S BLK
	1918979	CANVAS, 340SDA-08 BIM TOP FAB W/SS W/S BLK
	1918983	CANVAS, 340SDA-08 BIM TOP VAL W/SS W/S BLK
16	1691395	CANVAS, 340DA-03 VSR CURT W/SS 3PC CLR/BLK
17	1691411	CANVAS, 340DA-03 VSR CURT W/SS PT CLR/BLK
18	1691415	CANVAS, 340DA-03 VSR CURT W/SS CTR CLR/BLK
19	1691419	CANVAS, 340DA-03 VSR CURT W/SS ST CLR/BLK
20	1691357	CANVAS, 340DA-03 SID CURT SET W/SS W/S BLK
21	1691369	CANVAS, 340DA-03 SIDE CURT PT W/SS W/S BLK
22	1691373	CANVAS, 340DA-03 SIDE CURT ST W/SS W/S BLK
23	1797387	CANVAS, 340SDA-05 FWD SNSHD W/S/TOP BLK
24	1797383	CANVAS, 340SDA-05 AFT SNSHD W/S/TOP BLK
	1797391	CANVAS, 340SDA-05 AFT SNSHD W/S/TOP/FSH BLK
25	1797416	CANVAS, 340SDA-05 SNSHD AFT CURT W/S/TOP BLK
	1797426	CANVAS, 340SDA SNSHD AFT CRT W/S/TOP/FSH BLK
26	1802213	FRAME, ALUM 340SDA-05 S/TOP FWD SNSHD
27	1797378	FRAME, ALUM 340SDA-05 S/TOP AFT SNSHD
	1797379	FRAME, ALUM 340SDA-05 S/TOP AFT SNSHD W/FSHPK
	1809244	FRAME, ALUM 340SDA-05 S/TOP AFT SNSHD HDWR K
	1747372	NUT, NYLON LOCK 1/4-20 WTR SPRTS TWR
	1747373	WASHER, WATER SPORTS TWR 1/4-20 FENDER
	1809245	BOLT, ALUM S/TOP FRAME 1/4-20 X 1 3/4"
	1809247	GASKET, ALUM S/TOP FRAME
28	1797432	CANVAS, 340SDA VSR CURT W/S/TOP 3PC CLR/BLK
29	1807385	CANVAS, 340SDA VSR CURT W/S/TOP PRT CLR/BLK
30	1807386	CANVAS, 340SDA VSR CURT W/S/TOP CTR CLR/BLK
31	1807387	CANVAS, 340SDA VSR CURT W/S/TOP STB CLR/BLK
32	1797402	CANVAS, 340SDA-05 SIDE CURT ST W/S/TOP BLK
	1838318	CANVAS, 340SDA SID CURT ST SS/W/S W/S/TOP BLK
33	1807486	CANVAS, 340SDA-05 SIDE CURT W/S/TOP PRT BLK
	1851078	CANVAS, 340SDA SID CURT PRT SS/W/S W/S/TOP BLK
34	1807487	CANVAS, 340SDA-05 SIDE CURT W/S/TOP STB BLK
	1851079	CANVAS, 340SDA SID CURT STB SS/W/S W/S/TOP BLK
35	1778676	CLIP, SHOCKCORD/CVR WHT W/ELAS 04
36	1761645	KNOB, SHOCKCORD LACING
37	1898301	CLIP, WHT TAB ZIP PULL W/1/8"X5" CORD
38	221085	CAP, SS EYE END 7/8"
39	1760354	CAP, SS EYE END BALL/SOCKET TYPE
40	1760358	INSERT, DECK HINGE BALL/SOCKET BLK
41	439307	SLIDE, JAW SLIDE 7/8"
42	1760355	SLIDE, JAW SLIDE BALL/SOCKET TYPE SS
	1760596	SCREW, SLOT PAN BALL/SOCKET JAW SLIDE
43	1760595	PIN, PULL BALL/SOCKET TYPE W/RING LNYRD BLK
44	1357854	PIN, PULL 1.25" TOGGLE W/RING LNYRD SPRING SS
45	174953	HINGE, DECK CONCAVE 1" SS CONV TOP
46	1760357	HINGE, DECK RADIUS BALL/SOCKET TYPE SS
47	1536069	SLIDE, W/S CANVAS TRACK STBD
	1536051	SLIDE, W/S CANVAS TRACK PORT
	1738744	KNOB, W/S CANVAS TRACK PRT & STB
48	580688	SPACER, SIDE CURTAIN 7/8"
49	174995	HINGE, DECK FLAT 1" CONV TOP SS
50	1760356	HINGE, DECK FLAT BALL/SOCKET TYPE SS

CANVAS STORAGE BAG

788547 CANVAS, STRG BAG 10X60 LRG GREY 95

COCKPIT COVER

1893418 CANVAS, 340DA-08 CPC W/ALUM W/S BLK
 1893419 CANVAS, 340DA-08 CPC W/SS W/S BLK
 1893420 CANVAS, 340DA-08 CPC ALUM W/S NIGHT FISH BLK
 1893421 CANVAS, 340DA-08 CPC SS W/S NIGHT FISH BLK

COCKPIT COVER WITH S/TOP

1893422 CANVAS, 340SDA-08 CPC ALUM W/S S/TOP BLK
 1893423 CANVAS, 340SDA-08 CPC SS W/S S/TOP BLK
 1893424 CANVAS, 340SDA-08 CPC ALUM W/S S/TOP/FSH BLK
 1893425 CANVAS, 340SDA-08 CPC SS W/S S/TOP/FSH BLK

DASH COVER

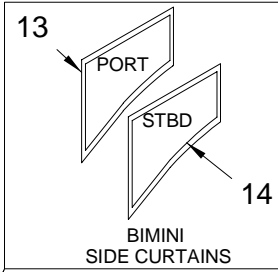
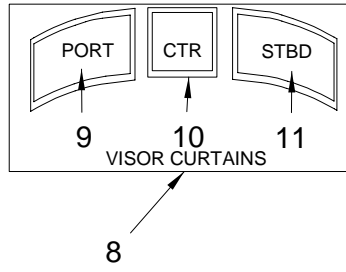
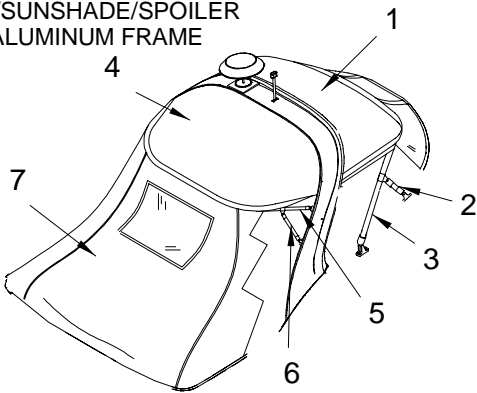
1896562 CANVAS, 340SDA-08 DASH CVR SGL CNTRL CADGRY
 1896563 CANVAS, 340SDA-08 DASH CVR DUAL CNTRL CADGRY
 (TVD-6LPSTP (T-306 PHP) YANMAR INBOARDS DSL)
 (BLANK TVD YANMAR 6LP STE INBOARDS DIESELS)
 (PROTOTYPE-TWIN STERN DRIVE DIESEL)

POLE, TONNEAU/CKPT

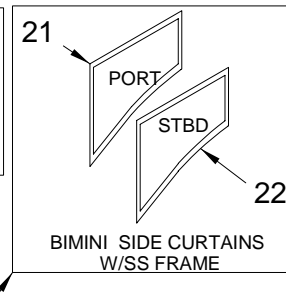
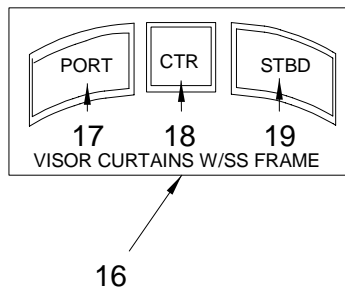
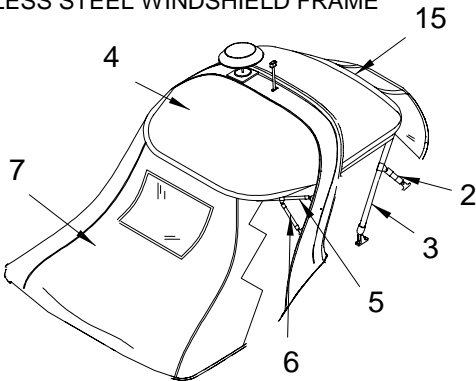
1811351 POLE, TONNEAU/CKPT CVR SUPPORT ADJ

CANVAS (BLUE)

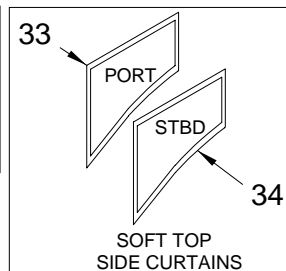
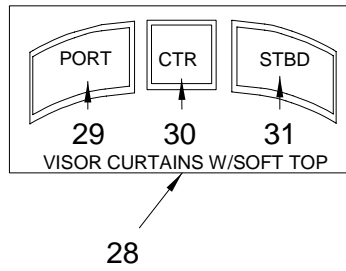
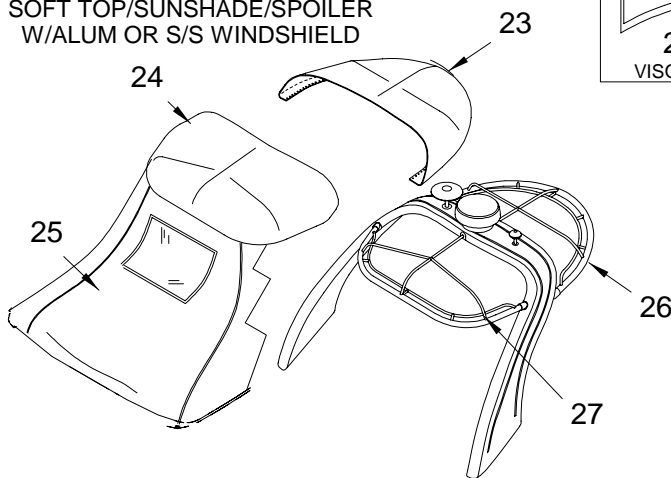
BIMINI/SUNSHADE/SPOILER
W/ALUMINUM FRAME



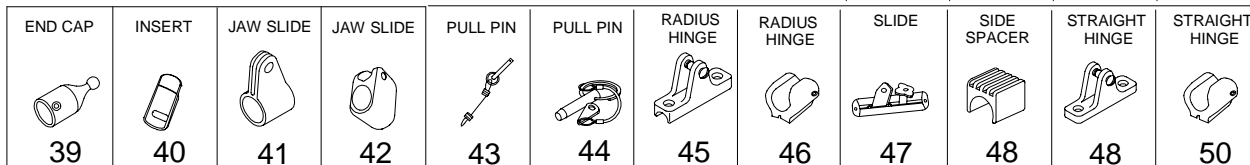
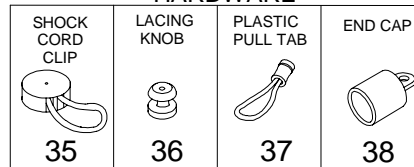
BIMINI/SUNSHADE/SPOILER
W/STAINLESS STEEL WINDSHIELD FRAME



SOFT TOP/SUNSHADE/SPOILER
W/ALUM OR S/S WINDSHIELD



CANVAS
HARDWARE



CANVAS (BLUE)

1	1905999	CANVAS, 340SDA-08 BIM TOP W/ALUM W/S MRN MDNT (HULL# 1242 -> UP)	17	1918989	CANVAS, 340SDA-08 VSR CURT W/SS PT CLR/MRNMDT (HULL# 1242 -> UP)
	1802828	CANVAS, 340SDA-06 BIM TOP W/ALUM W/S CAPT Nvy (HULL# 1201 -> 1241)		1760930	CANVAS, 340DA-04 VSR CURT W/SS PRT CLR/CPN NV (HULL# 1201 -> 1241)
	1906001	CANVAS, 340DA-08 BIM TOP BOOT MRN MDNT (HULL# 1242 -> UP)	18	1918991	CANVAS, 340SDA-08 VSR CURT W/SS CTR CLR/MRNMDT (HULL# 1242 -> UP)
	1754272	CANVAS, 340DA-04 BIM TOP BOOT CAP NAVY (HULL# 1201 -> 1241)		1760932	CANVAS, 340DA-04 VSR CURT W/SS CTR CLR/CPN NV (HULL# 1201 -> 1241)
	1918967	CANVAS, 340SDA-08 BIM TOP FAB MRN MDNT (HULL# 1242 -> UP)	19	1918990	CANVAS, 340SDA-08 VSR CURT W/SS ST CLR/MRNMDT (HULL# 1242 -> UP)
	1809438	CANVAS, 340SDA-06 BIM TOP FAB CAPT Nvy (HULL# 1201 -> 1241)		1760934	CANVAS, 340DA-04 VSR CURT W/SS STB CLR/CPN NV (HULL# 1201 -> 1241)
	1918968	CANVAS, 340SDA-08 BIM TOP VAL MRN MDNT (HULL# 1242 -> UP)	20	1906005	CANVAS, 340DA-08 SID CURT SET W/SS W/S MDNT (HULL# 1242 -> UP)
	1809440	CANVAS, 340SDA-06 BIM TOP VAL CAPT Nvy (HULL# 1201 -> 1241)		1754282	CANVAS, 340DA-04 SID CURT SET W/SS W/S CAP NY (HULL# 1201 -> 1241)
2	1809432	CANVAS, 340DA-06 BIM TOP BOW FWD STNCH/STP	21	1918987	CANVAS, 340SDA-08 S/CURT PRT W/SS W/S MRNMDT (HULL# 1242 -> UP)
3	1809430	CANVAS, 340DA-06 BIM TOP MAIN BOW W/HDWR		1760928	CANVAS, 340DA-04 SIDE CURT PRT W/SS W/S CPN (HULL# 1201 -> 1241)
	1809431	CANVAS, 340DA-06 BIM TOP HDWR MNTG PKG	22	1918988	CANVAS, 340SDA-08 S/CURT STB W/SS W/S MRNMDT (HULL# 1242 -> UP)
	1809427	CANVAS, 340SDA-06 BIM TOP BOWS W/HDWR		1760936	CANVAS, 340DA-04 SIDE CURT STB W/SS W/S CPN (HULL# 1201 -> 1241)
4	1906002	CANVAS, 340SDA-08 SNSHD TOP MRN MDNT (HULL# 1242 -> UP)	23	1906018	CANVAS, 340SDA-08 FWD SNSHD W/S/TOP MRN MDNT (HULL# 1242 -> UP)
	1802849	CANVAS, 340SDA-06 SNSHD TOP CAPT Nvy (HULL# 1201 -> 1241)		1797385	CANVAS, 340SDA-05 FWD SNSHD W/S/TOP CAPT Nvy (HULL# 1201 -> 1241)
	1918992	CANVAS, 340SDA-08 SNSHD TOP FAB MRN MDNT (HULL# 1242 -> UP)	24	1906015	CANVAS, 340SDA-08 AFT SNSHD W/S/TOP MRN MDNT (HULL# 1242 -> UP)
	1809442	CANVAS, 340SDA-06 SUNSHADE TOP FAB CAPT Nvy (HULL# 1201 -> 1241)		1797381	CANVAS, 340SDA-05 AFT SNSHD W/S/TOP CAPT Nvy (HULL# 1201 -> 1241)
	1809444	CANVAS, 340SDA-06 SUNSHADE TOP VAL CAPT Nvy (HULL# 1201 -> 1241)	1906016	CANVAS, 340SDA-08 AFT SNSHD W/S/TOP/FSH MDNT (HULL# 1242 -> UP)	
5	1809434	CANVAS, 340DA-06 SUNSHADE MAIN BOW W/HDWR		1797389	CANVAS, 340SDA-05 AFT SNSHD W/S/TOP/FSH CPNVY (HULL# 1201 -> 1241)
	1809433	CANVAS, 340DA-06 SUNSHADE TOP BOWS W/HDWR	25	1906032	CANVAS, 340SDA-08 SNSHD AFT CURT W/S/TOP MDNT (HULL# 1242 -> UP)
	1809435	CANVAS, 340SDA-06 SUNSHADE TOP MNTG PKG		1797412	CANVAS, 340SDA-05 SNSHD AFT CURT W/S/TOP CNVY (HULL# 1201 -> 1241)
6	1809436	CANVAS, 340SDA-06 SUNSHADE TOP REAR STNCH/STP		1906033	CANVAS, 340SDA SNSHD AFT CRT W/S/TOP/FSH MDNT (HULL# 1242 -> UP)
7	1906006	CANVAS, 340DA-08 SNSHD AFT CURT MRN MDNT (HULL# 1242 -> UP)		1797423	CANVAS, 340SDA SNSHD AFT CRT W/S/TOP/FSH CNVY (HULL# 1201 -> 1241)
	1754284	CANVAS, 340DA-04 SNSHD AFT CURT CAP NAVY (HULL# 1201 -> 1241)	26	1802213	FRAME, ALUM 340SDA-05 S/TOP FWD SNSHD
	1906007	CANVAS, 340DA-08 SNSHD AFT CURT NIGHT FSH MDT (HULL# 1242 -> UP)	27	1797378	FRAME, ALUM 340SDA-05 S/TOP AFT SNSHD
	1774803	CANVAS, 340DA-05 SNSHD AFT CURT NGHT FSH CNVY (HULL# 1201 -> 1241)		1797379	FRAME, ALUM 340SDA-05 S/TOP AFT SNSHD W/FSHPK
8	1906008	CANVAS, 340SDA-08 VSR CURT W/ALUM 3PC CLR/MDT (HULL# 1242 -> UP)		1809244	FRAME, ALUM 340SDA-05 S/TOP AFT SNSHD HDWR K
	1807599	CANVAS, 340SDA-06 VSR CURT W/ALU 3PC CLR/CNVY (HULL# 1201 -> 1241)		1747372	NUT, NYLON LOCK 1/4-20 WTR SPRTS TWR
9	1918971	CANVAS, 340SDA-08 VSR CURT W/ALM PT CLR/MNMDT (HULL# 1242 -> UP)		1747373	WASHER, WATER SPORTS TWR 1/4-20 FENDER
	1809446	CANVAS, 340SDA-06 VSR CURT W/ALUM PRT CLR/CPN (HULL# 1201 -> 1241)		1809245	BOLT, ALUM S/TOP FRAME 1/4-20 X 1 3/4"
10	1918973	CANVAS, 340SDA-08 VSR CURT W/ALM CTR CLR/MNMDT (HULL# 1242 -> UP)		1809247	GASKET, ALUM S/TOP FRAME
	1809448	CANVAS, 340SDA-06 VSR CURT W/ALUM CTR CLR/CPN (HULL# 1201 -> 1241)	28	1906035	CANVAS, 340SDA VSR CURT W/S/TOP 3PC CLR/MDNT (HULL# 1242 -> UP)
	1918972	CANVAS, 340SDA-08 VSR CURT W/ALM ST CLR/MNMDT (HULL# 1242 -> UP)		1797430	CANVAS, 340SDA VSR CURT W/S/TOP 3PC CLR/CNVY (HULL# 1201 -> 1241)
	1809450	CANVAS, 340SDA-06 VSR CURT W/ALUM STB CLR/CPN (HULL# 1201 -> 1241)	29	1919007	CANVAS, 340SDA VSR CURT W/S/TOP PRT CLR/MRNMDT (HULL# 1242 -> UP)
12	1906003	CANVAS, 340SDA-08 SID CURT SET W/ALUM W/S MDT (HULL# 1242 -> UP)		1807382	CANVAS, 340SDA VSR CURT W/S/TOP PRT CLR/CNVY (HULL# 1201 -> 1241)
	1807601	CANVAS, 340SDA-06 SID CURT SET W/ALU W/S CNVY (HULL# 1201 -> 1241)	30	1919010	CANVAS, 340SDA VSR CURT W/S/TOP CTR CLR/MRNMDT (HULL# 1242 -> UP)
13	1918969	CANVAS, 340SDA-08 S/CURT PT W/ALUM W/S MNMDT (HULL# 1242 -> UP)		1807383	CANVAS, 340SDA VSR CURT W/S/TOP CTR CLR/CNVY (HULL# 1201 -> 1241)
	1809452	CANVAS, 340SDA-06 S/CURT PRT W/ALUM W/S CPNVY (HULL# 1201 -> 1241)	31	1919008	CANVAS, 340SDA VSR CURT W/S/TOP STB CLR/MRNMDT (HULL# 1242 -> UP)
14	1918970	CANVAS, 340SDA-08 S/CURT ST W/ALUM W/S MNMDT (HULL# 1242 -> UP)		1807384	CANVAS, 340SDA VSR CURT W/S/TOP STB CLR/CNVY (HULL# 1201 -> 1241)
	1809454	CANVAS, 340SDA-06 S/CURT STB W/ALUM W/S CPNVY (HULL# 1201 -> 1241)	32	1906020	CANVAS, 340SDA-08 SIDE CURT ST W/S/TOP MDNT (HULL# 1242 -> UP)
15	1906000	CANVAS, 340SDA-08 BIM TOP W/SS W/S MRN MDNT (HULL# 1242 -> UP)		1797398	CANVAS, 340SDA-05 SIDE CURT ST W/S/TOP CPNVY (HULL# 1201 -> 1241)
	1802846	CANVAS, 340SDA-06 BIM TOP W/SS W/S CAPT Nvy (HULL# 1201 -> 1241)	1906022	CANVAS, 340SDA SID CURT ST SS/W/S W/S/TOP MDNT (HULL# 1242 -> UP)	
	1918980	CANVAS, 340SDA-08 BIMTOP FAB W/SS W/S MRNMDT (HULL# 1242 -> UP)		1838319	CANVAS, 340SDA SID CURT ST SS/W/S W/S/TOP CNVY (HULL# 1201 -> 1241)
	1918982	CANVAS, 340SDA-08 BIM TOP FAB W/SS W/S CPNVY (HULL# 1201 -> 1241)	33	1918997	CANVAS, 340SDA-08 S/CURT W/S/TOP PRT MRN MDNT (HULL# 1242 -> UP)
	1918984	CANVAS, 340SDA-08 BIM TOP VAL W/SS W/S MRNMDT (HULL# 1242 -> UP)		1807482	CANVAS, 340SDA-05 SIDE CURT W/S/TOP PRT CPNVY (HULL# 1201 -> 1241)
	1918985	CANVAS, 340SDA-08 BIM TOP VAL W/SS W/S CPNVY (HULL# 1201 -> 1241)	1919005	CANVAS, 340SDA S/CURT PRT SS/W/S W/S/TOP MNMDT (HULL# 1242 -> UP)	
16	1906009	CANVAS, 340DA-08 VSR CURT W/SS 3PC CLR/MDNT (HULL# 1242 -> UP)		1851080	CANVAS, 340SDA SID CURT PRT SS/W/S W/S/TOP CNV (HULL# 1201 -> 1241)
	1754286	CANVAS, 340DA-04 VSR CURT W/SS 3PC CLR/CAP NY (HULL# 1201 -> 1241)	34	1918999	CANVAS, 340SDA-08 S/CURT W/S/TOP STB MRN MDNT (HULL# 1242 -> UP)
				1807483	CANVAS, 340SDA-05 SIDE CURT W/S/TOP STB CPNVY (HULL# 1201 -> 1241)

- 34 1919006 CANVAS, 340SDA S/CURT STB SS/W/S TOP MNMDT
(HULL# 1242 -> UP)
- 1851081 CANVAS, 340SDA SID CURT STB SS/W/S TOP CNV
(HULL# 1201 -> 1241)
- 35 1778676 CLIP, SHOCKCORD/CVR WHT W/ELAS 04
- 36 1761645 KNOB, SHOCKCORD LACING
- 37 1898301 CLIP, WHT TAB ZIP PULL W/1/8"X5" CORD
- 38 221085 CAP, SS EYE END 7/8"
- 39 1760354 CAP, SS EYE END BALL/SOCKET TYPE
- 40 1760358 INSERT, DECK HINGE BALL/SOCKET BLK
- 41 439307 SLIDE, JAW SLIDE 7/8"
- 42 1760355 SLIDE, JAW SLIDE BALL/SOCKET TYPE SS
- 1760596 SCREW, SLOT PAN BALL/SOCKET JAW SLIDE
- 43 1760595 PIN, PULL BALL/SOCKET TYPE W/RING LNYRD BLK
- 44 1357854 PIN, PULL 1.25" TOGGLE W/RING LNYRD SPRING SS
- 45 174953 HINGE, DECK CONCAVE 1" SS CONV TOP
- 46 1760357 HINGE, DECK RADIUS BALL/SOCKET TYPE SS
- 47 1536069 SLIDE, W/S CANVAS TRACK STBD
- 1536051 SLIDE, W/S CANVAS TRACK PORT
- 1738744 KNOB, W/S CANVAS TRACK PRT & STB
- 48 580688 SPACER, SIDE CURTAIN 7/8"
- 49 174995 HINGE, DECK FLAT 1" CONV TOP SS
- 50 1760356 HINGE, DECK FLAT BALL/SOCKET TYPE SS

CANVAS STORAGE BAG

- 788547 CANVAS, STRG BAG 10X60 LRG GREY 95

COCKPIT COVER

- 1906010 CANVAS, 340DA-08 CPC W/ALUM W/S MRN MDNT
(HULL# 1242 -> UP)
- 1895853 CANVAS, 340DA-08 CPC W/ALUM W/S CAP NAVY
(HULL# 1201 -> 1241)
- 1906011 CANVAS, 340DA-08 CPC W/SS W/S MRN MDNT
(HULL# 1242 -> UP)
- 1895854 CANVAS, 340DA-08 CPC W/SS W/S CAP NAVY
(HULL# 1201 -> 1241)
- 1906012 CANVAS, 340DA-08 CPC ALUM W/S NIGHT FISH MDNT
(HULL# 1242 -> UP)
- 1895856 CANVAS, 340DA-08 CPC ALUM W/S NIGHT FISH CNVY
(HULL# 1201 -> 1241)
- 1906013 CANVAS, 340DA-08 CPC SS W/S NIGHT FISH MDNT
(HULL# 1242 -> UP)
- 1895857 CANVAS, 340DA-08 CPC SS W/S NIGHT FISH CNVY
(HULL# 1201 -> 1241)

COCKPIT COVER WITH S/TOP

- 1919004 CANVAS, 340SDA-08 CPC ALUM W/S S/TOP MRN MDNT
(HULL# 1242 -> UP)
- 1895858 CANVAS, 340SDA-08 CPC ALUM W/S S/TOP CAPT NVY
(HULL# 1201 -> 1241)
- 1906038 CANVAS, 340SDA-08 CPC ALUM W/S S/TOP/FSH MDNT
(HULL# 1242 -> UP)
- 1895862 CANVAS, 340SDA-08 CPC ALUM W/S S/TOP/FSH CNVY
(HULL# 1201 -> 1241)
- 1906036 CANVAS, 340SDA-08 CPC SS W/S S/TOP MRN MDNT
(HULL# 1242 -> UP)
- 1895860 CANVAS, 340SDA-08 CPC SS W/S S/TOP CAPT NAVY
(HULL# 1201 -> 1241)
- 1906039 CANVAS, 340SDA-08 CPC SS W/S S/TOP/FSH MDNT
(HULL# 1242 -> UP)
- 1895863 CANVAS, 340SDA-08 CPC SS W/S S/TOP/FSH CNVY
(HULL# 1201 -> 1241)

DASH COVER

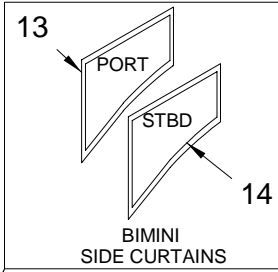
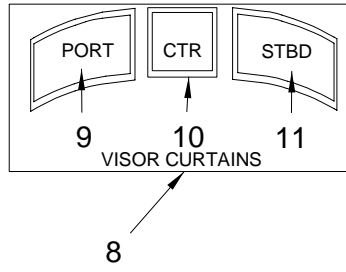
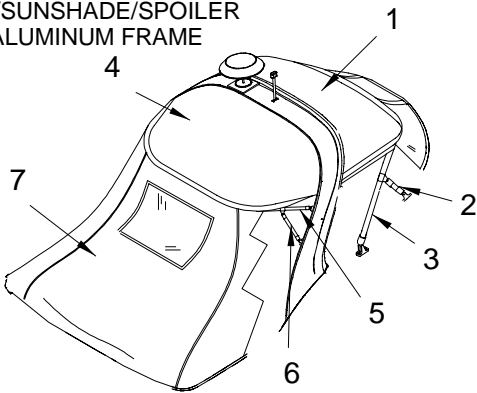
- 1896562 CANVAS, 340SDA-08 DASH CVR SGL CNTRL CADGRY
- 1896563 CANVAS, 340SDA-08 DASH CVR DUAL CNTRL CADGRY
(TVD-6LPSTP (T-306 PHP) YANMAR INBOARDS DSL)
(BLANK TVD YANMAR 6LP STE INBOARDS DIESELS)
(PROTOTYPE-TWIN STERN DRIVE DIESEL)

POLE, TONNEAU/CKPT

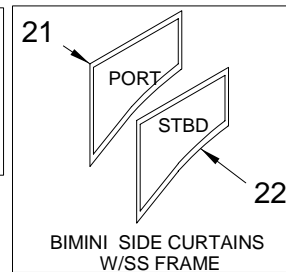
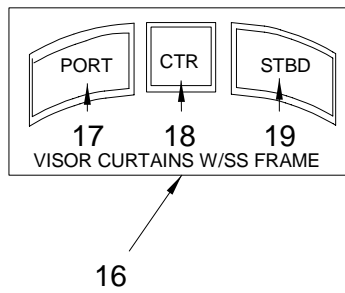
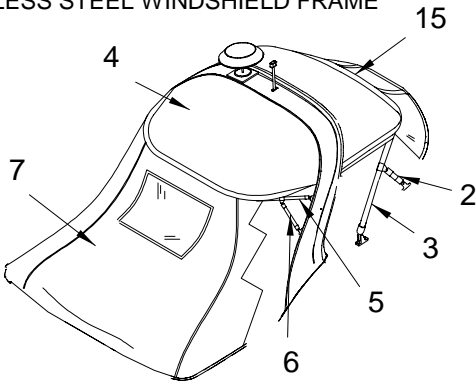
- 1811351 POLE, TONNEAU/CKPT CVR SUPPORT ADJ

CANVAS (WHITE)

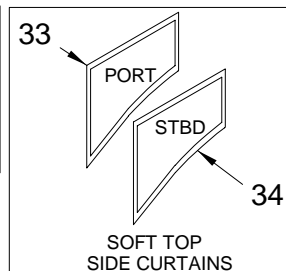
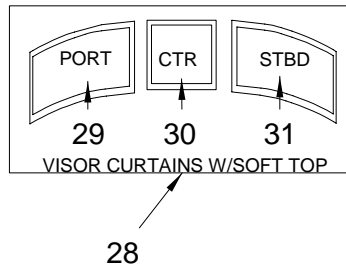
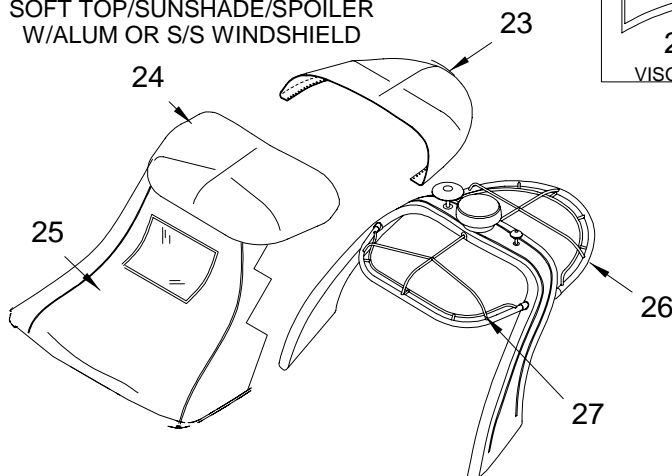
BIMINI/SUNSHADE/SPOILER
W/ALUMINUM FRAME



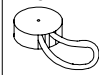



BIMINI/SUNSHADE/SPOILER
W/STAINLESS STEEL WINDSHIELD FRAME







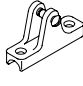

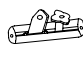

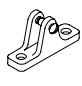



SOFT TOP/SUNSHADE/SPOILER
W/ALUM OR S/S WINDSHIELD



CANVAS
HARDWARE

SHOCK CORD CLIP  35	LACING KNOB  36	PLASTIC PULL TAB  37	END CAP  38
---	---	---	---

END CAP  39	INSERT  40	JAW SLIDE  41	JAW SLIDE  42	PULL PIN  43	PULL PIN  44	RADIUS HINGE  45	RADIUS HINGE  46	SLIDE  47	SIDE SPACER  48	STRAIGHT HINGE  48	STRAIGHT HINGE  50
---	---	---	---	--	--	--	--	---	---	--	--

CANVAS (WHITE)

1	1819442	CANVAS, 340SDA-06 BIM TOP W/ALUM W/S WHT
	1820368	CANVAS, 340SDA-06 BIM TOP FAB STAMOID
	1820369	CANVAS, 340SDA-06 BIM TOP VAL STAMOID
	1819444	CANVAS, 340DA-06 BIM TOP BOOT WHT
2	1809432	CANVAS, 340DA-06 BIM TOP BOW FWD STNCH/STP
3	1809430	CANVAS, 340DA-06 BIM TOP MAIN BOW W/HDWR
	1809431	CANVAS, 340DA-06 BIM TOP HDWR MNTG PKG
	1809427	CANVAS, 340SDA-06 BIM TOP BOWS W/HDWR
4	1819445	CANVAS, 340SDA-06 SNSHD TOP WHT
	1820370	CANVAS, 340SDA-06 SNSHD TOP FAB STAMOID
	1820371	CANVAS, 340SDA-06 SNSHD TOP VAL STAMOID
5	1809434	CANVAS, 340DA-06 SUNSHADE MAIN BOW W/HDWR
	1809433	CANVAS, 340DA-06 SUNSHADE TOP BOWS W/HDWR
	1809435	CANVAS, 340SDA-06 SUNSHADE TOP MNTG PKG
6	1809436	CANVAS, 340SDA-06 SUNSHADE TOP REAR STNCH/STP
7	1819448	CANVAS, 340DA-06 SNSHD AFT CURT WHT
	1819449	CANVAS, 340DA-06 SNSHD AFT CURT NIGHT FSH WHT
8	1819450	CANVAS, 340SDA-06 VSR CURT W/ALUM 3PC CLR/WHT
9	1820372	CANVAS, 340SDA-06 VSR CURT W/ALUM PT CLR/STM
10	1820373	CANVAS, 340SDA-06 VSR CURT W/ALUM CTR CLR/STM
11	1820374	CANVAS, 340SDA-06 VSR CURT W/ALUM STB CLR/STM
12	1819446	CANVAS, 340SDA-06 SID CURT SET W/ALUM W/S WHT
13	1820375	CANVAS, 340SDA-06 SIDE CURT PT W/ALUM W/S STM
14	1820376	CANVAS, 340SDA-06 SIDE CURT ST W/ALUM W/S STM
15	1819443	CANVAS, 340SDA-06 BIM TOP W/SS W/S WHT
	1918978	CANVAS, 340SDA-08 BIM TOP FAB W/SS W/S WHT
	1918986	CANVAS, 340SDA-08 BIM TOP VAL W/SS W/S WHT
16	1819451	CANVAS, 340DA-06 VSR CURT W/SS 3PC CLR/WHT
17	1820377	CANVAS, 340SDA-06 VSR CURT W/SS PT CLR/STM
18	1820378	CANVAS, 340SDA-06 VSR CURT W/SS CTR CLR/STM
19	1820379	CANVAS, 340SDA-06 VSR CURT W/SS ST CLR/STM
20	1819447	CANVAS, 340DA-06 SID CURT SET W/SS W/S WHT
21	1820380	CANVAS, 340SDA-06 SIDE CURT PT W/SS W/S STM
22	1820381	CANVAS, 340SDA-06 SIDE CURT ST W/SS W/S STM
23	1819668	CANVAS, 340SDA-06 FWD SNSHD W/S/TOP WHT
24	1819665	CANVAS, 340SDA-06 AFT SNSHD W/S/TOP WHT
	1819666	CANVAS, 340SDA-06 AFT SNSHD W/S/TOP/FSH WHT
25	1819672	CANVAS, 340SDA-06 SNSHD AFT CURT W/S/TOP WHT
	1819673	CANVAS, 340SDA SNSHD AFT CRT W/S/TOP/FSH WHT
26	1802213	FRAME, ALUM 340SDA-05 S/TOP FWD SNSHD
27	1797378	FRAME, ALUM 340SDA-05 S/TOP AFT SNSHD
	1797379	FRAME, ALUM 340SDA-05 S/TOP AFT SNSHD W/FSHPK
	1809244	FRAME, ALUM 340SDA-05 S/TOP AFT SNSHD HDWR K
	1747372	NUT, NYLON LOCK 1/4-20 WTR SPRTS TWR
	1747373	WASHER, WATER SPORTS TWR 1/4-20 FENDER
	1809245	BOLT, ALUM S/TOP FRAME 1/4-20 X 1 3/4"
	1809247	GASKET, ALUM S/TOP FRAME
28	1819674	CANVAS, 340SDA VSR CURT W/S/TOP 3PC CLR/WHT
29	1851086	CANVAS, 340SDA VSR CURT W/S/TOP PRT CLR/WHT
30	1851087	CANVAS, 340SDA VSR CURT W/S/TOP CTR CLR/WHT
31	1851088	CANVAS, 340SDA VSR CURT W/S/TOP STB CLR/WHT
32	1819670	CANVAS, 340SDA-06 SIDE CURT ST W/S/TOP WHT
	1838320	CANVAS, 340SDA SID CURT ST SS/W/S W/S/TOP WHT
33	1851084	CANVAS, 340SDA-06 SIDE CURT PRT W/S/TOP WHT
	1851082	CANVAS, 340SDA SID CURT PRT SS/W/S W/S/TOP WHT
34	1851085	CANVAS, 340SDA-06 SIDE CURT STB W/S/TOP WHT
	1851083	CANVAS, 340SDA SID CURT STB SS/W/S W/S/TOP WHT
35	1778676	CLIP, SHOCKCORD/CVR WHT W/ELAS 04
36	1761645	KNOB, SHOCKCORD LACING
37	1898301	CLIP, WHT TAB ZIP PULL W/1/8"X5" CORD
38	221085	CAP, SS EYE END 7/8"
39	1760354	CAP, SS EYE END BALL/SOCKET TYPE
40	1760358	INSERT, DECK HINGE BALL/SOCKET BLK
41	439307	SLIDE, JAW SLIDE 7/8"
42	1760355	SLIDE, JAW SLIDE BALL/SOCKET TYPE SS
	1760596	SCREW, SLOT PAN BALL/SOCKET JAW SLIDE
43	1760595	PIN, PULL BALL/SOCKET TYPE W/RING LNYRD BLK
44	1357854	PIN, PULL 1.25" TOGGLE W/RING LNYRD SPRING SS
45	174953	HINGE, DECK CONCAVE 1" SS CONV TOP
46	1760357	HINGE, DECK RADIUS BALL/SOCKET TYPE SS
47	1536069	SLIDE, W/S CANVAS TRACK STBD
	1536051	SLIDE, W/S CANVAS TRACK PORT
	1738744	KNOB, W/S CANVAS TRACK PRT & STB
48	580688	SPACER, SIDE CURTAIN 7/8"
49	174995	HINGE, DECK FLAT 1" CONV TOP SS
50	1760356	HINGE, DECK FLAT BALL/SOCKET TYPE SS

CANVAS STORAGE BAG

788547 CANVAS, STRG BAG 10X60 LRG GREY 95

COCKPIT COVER

1896179 CANVAS, 340DA-08 CPC W/ALUM W/S WHT
 1896180 CANVAS, 340DA-08 CPC W/SS W/S WHT
 1896182 CANVAS, 340DA-08 CPC ALUM W/S NIGHT FISH WHT
 1896184 CANVAS, 340DA-08 CPC SS W/S NIGHT FISH WHT

COCKPIT COVER WITH S/TOP

1896186 CANVAS, 340SDA-08 CPC ALUM W/S S/TOP WHT
 1896189 CANVAS, 340SDA-08 CPC SS W/S S/TOP WHT
 1896191 CANVAS, 340SDA-08 CPC ALUM W/S S/TOP/FSH WHT
 1896192 CANVAS, 340SDA-08 CPC SS W/S S/TOP/FSH WHT

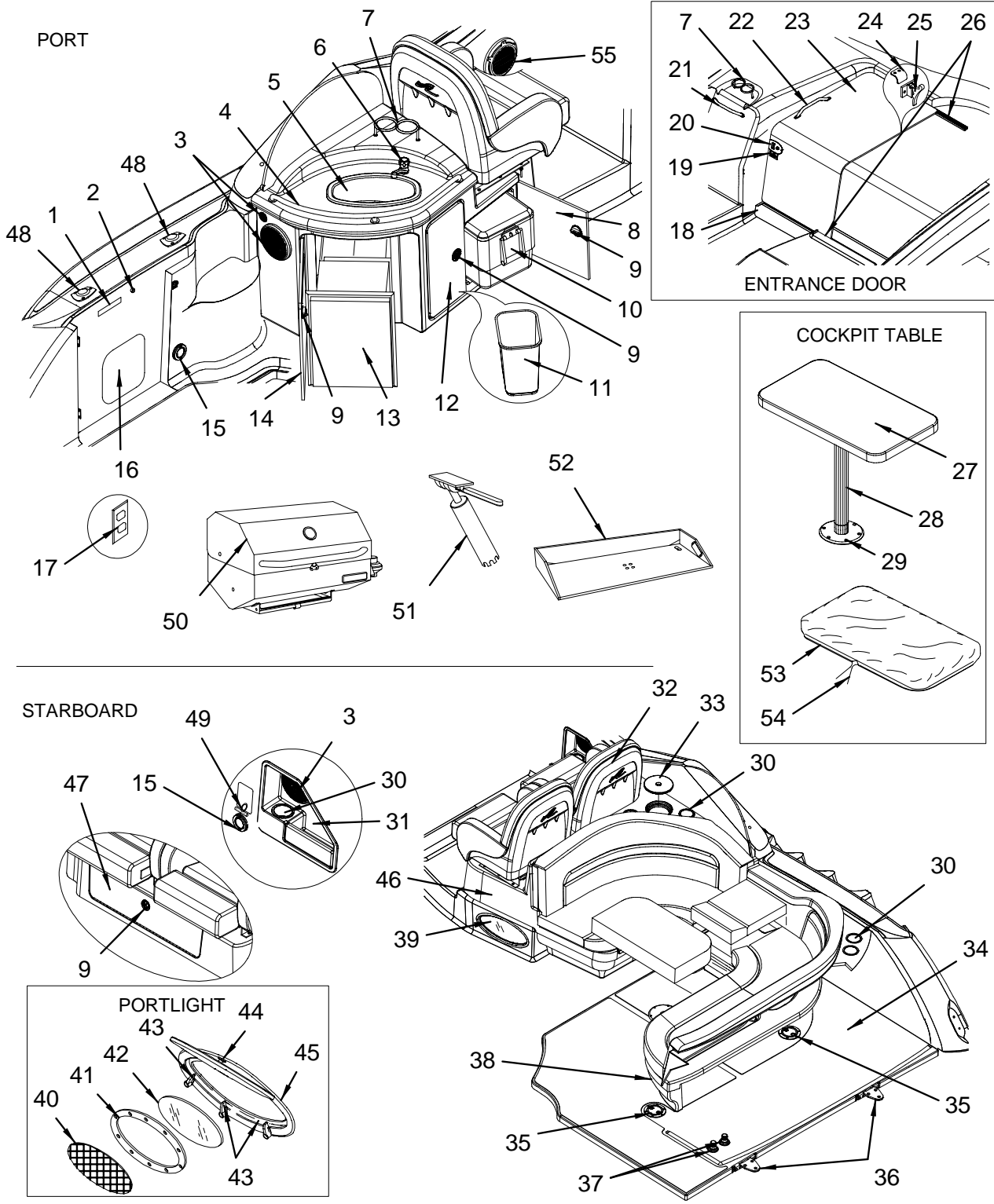
DASH COVER

1896562 CANVAS, 340SDA-08 DASH CVR SGL CNTRL CADGRY
 1896563 CANVAS, 340SDA-08 DASH CVR DUAL CNTRL CADGRY
 (TVD-6LPSTP (T-306 PHP) YANMAR INBOARDS DSL)
 (BLANK TVD YANMAR 6LP STE INBOARDS DIESELS)
 (PROTOTYPE-TWIN STERN DRIVE DIESEL)

POLE, TONNEAU/CKPT

1811351 POLE, TONNEAU/CKPT CVR SUPPORT ADJ

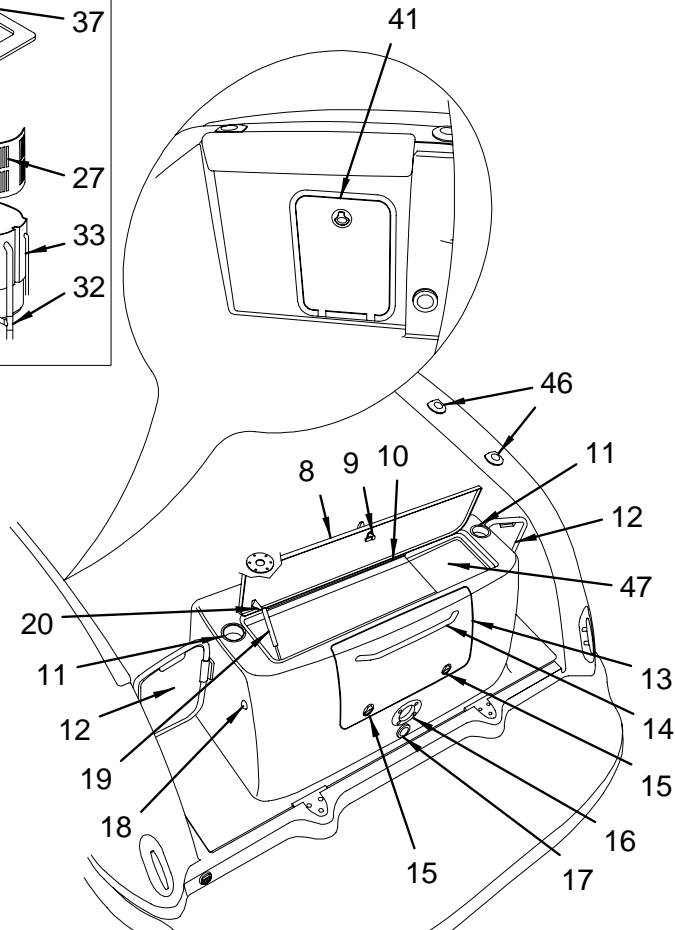
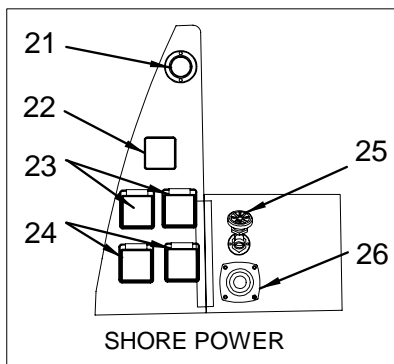
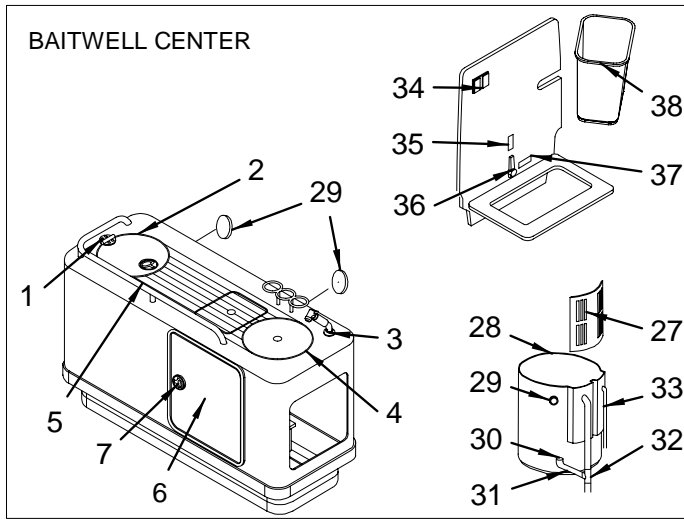
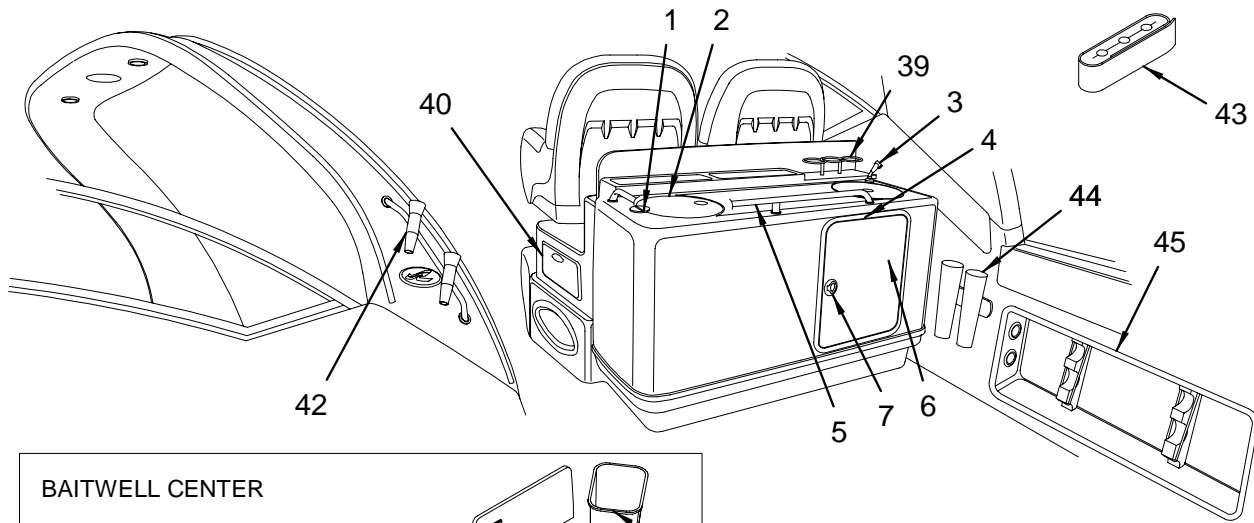
COCKPIT



NOT SHOWN

- 957092 A/C COMP, HOSE RING 5" OBLONG
- 137349 ACCESS PLATE, PLAS CVR 5" WHT
- 175257 BUMPER, WHT LARGE ROUND 0.88"WD X 0.40"HG
- 141721 VALVE, DIVERTER 1.5"
- 1783323 TEAK, 340SDA CKPT FWD/HTCH/PRT HELM/SWM SPORT
- 1546167 COVER, P/B 290BR-01 CKPT STRG SUMP
- 1810576 STOOL, FOLDING ANOD W/SR WAVE 290DA-06

COCKPIT (SPORTSMAN'S PACKAGE)



COCKPIT (SPORTSMAN'S PACKAGE)

1	1338821	HINGE, SS STRAP 2.56" X 2.56" X 1/4"
2	1772279	LID, HDPE 340SDA-04 BAITWELL WHT
3	1895442	SHOWER ASSY, SPRAY BLK NOZZLE ANG BASE W/8"SS
	1898945	SHOWER ASSY, BLK HNDL FAUCET SPRAYER ONLY (PART OF 1895442)
	1898946	SHOWER ASSY, THRUHULL F/SPRAYER NOZZLE HNDL (PART OF 1895442)
	1898947	SHOWER ASSY, 8"SS HOSE F/1895442 (PART OF 1895442)
4	1531326	LID, HDPE ROUND COOLER WHT
	1472190	COOLER, 8" X 14.5" FOAMED MOLDED
	196618	DRAIN, W/PLUG 100DEG 3/4" BARB WHT
	1816355	DRAIN, STOPPER FOR MRP #196618 (PART OF 196618)
5	1252535	RAIL, GRAB 290AJ-00 CKPT BAITWELL
6	1783218	DOOR, STRG 17 X 20 280DA-05 ARWFRM W/SS STHCO
7	1781437	LATCH, COMPRESSION 2"N/LOCKING SS
8	1910822	340SDA 08,LID,FISH BOX FBRGLS
9	140111	LIFT HANDLE, HATCH LIFT BOLT W/RING 3"
	173799	WASHER, RBR GASKET 1/16"X 1/4"X 1"
10	1400795	HINGE, SS 1.5"X 51"
11	1812917	HOLDER, DRINK SS 4"X 3" MUG SZ PLSHD RIM
12	1775041	DOOR, HDPE 340SDA-05 TRNSM W/SS TRIM
13	1910821	340SDA 08,LID,TRNSM STRG SPORT PKG FBRGLS
14	1747838	RAIL, GRAB 24" STRMLN W/STUD FLANGES 316L
15	1781437	LATCH, COMPRESSION 2"N/LOCKING SS
	1781439	CATCH, PAWL 2"OFFSET SHORT SS
	1781440	PLATE, DEEP BRKT 2"W/HDWR PKG SS
16	981092	INSERT, HDPE OVAL HAWSE HOLE ARW
17	1227412	LIGHT, NAV STERN FLUSH MT RND CHR/BRS N/STUDS
	901199	BULB, STERN NAV LIGHT REPL #137406-1227412 (PART OF 1227412)
18	663708	BUMPER, CLEAR .020" THICK
19	1425677	CYLINDER, GAS SS 40PSI 17"EXT X 10"COMP
20	732792	BRACKET, SS GAS CYL 90DEG 2.062" W/STUD (UPPER)
	634550	BRACKET, SS GAS CYL 90DEG L-BRKT W/BALL LONG (LOWER)
21	840868	LIGHT, COURTESY ROUND W/FROSTED LENS 12V/5W
	1192368	BULB, REPL FOR #0840868 12V/5W (PART OF 840868)
22	133694	INLET, PHONE/TV CABLE COMBO WHT
	136093	CORD SET, PHONE 50FT
	136085	CORD SET, TV CABLE 50FT
23	829416	INLET, "MAIN BRKR" HOUSING WHT
	582445	BRKR/TOGGLE, 2-POLE AC MED DELAY 35A
	826867	BRKR/TOGGLE, 2-POLE AC MED DELAY 25A
24	133678	INLET, SHORE POWER WHT 125V 30A
	206276	INLET, SHORE POWER WHT 220V/50H 16A
	1244367	CORD SET, 120V/30A 50FT POWERCORD PLUS
	206268	CORD SET, 220V/50H 16A 50FT
	133652	ADAPTER, SHORE CORD 125V/30A(F)-125V/15A(M)
	634998	BOX, V/F 7.75"X 5"X 3" BLANK
25	1096262	FAUCET, SILLCOCK WASHDOWN (WHITECAP)
26	141168	INLET, WATER W/PRESS REGULATOR WHT
27	1246529	GRATE, HDPE 290AJ-00 LIVE BAITWELL
28	1233139	CONTAINER, LIVE BAITWELL 290AJ-00 ROTOCAST
29	1078625	LIGHT, COURTESY WATERPROF FRNT MNT W/NUT
	1411123	BULB, REPL FOR #1230192 (PART OF 1078625)
30	907279	PLUG, DRAIN 1.5" BLK
	1041961	DRAIN, ELBOW 90DEG 1.5"W/FLANGE/NUT
31	490219	HOSE, CORR SAN/WATER-FILL 1.5" RH
32	141606	TEE, PVC 1.5" MACHINED INSERT TEE
33	123810	HOSE, GEN PURPOSE 3/4"
34	1240993	PANEL, 290AJ-00 BAITWELL WSHDWN SW
	1282961	PANEL, BLANK:290AJ-00 BAITWELL WSHDWN SW (PART OF 1240993)
	785931	BODY, ROCK SW SPST WHT (PART OF 1240993)
	1500305	ACTUATOR, ROCK W/O LENS ACCY (PART OF 1240993)
35	1743506	LABEL, BAITWELL
36	1261411	VALVE, MARELON BALL 2-WAY 3/4" W/XLNG HNDL
37	1743500	LABEL, SEAWATER WASHDOWN
38	813451	BASKET, TRASH 9"X 15 3/16"X 18" WHT
39	1750874	HOLDER, DRINK SS 3-RING 3" (KING)
40	1795360	TACKLE BOX, 2-DRAWER SR WHT SLIMLINE
41	1795361	TACKLE BOX, TILT OUT SR WHT SLIMLINE
42	1774285	ROD HOLDER, 340SDA FISH PKG OPT PR
43	1838316	ROD HOLDER, PLAS 340SDA SIDE MNT 10"6-ROD BLK
44	1791387	ROD HOLDER, ALUM DUAL W/MNTG PLATE

45	1790773	ROD BOX, DR/ABS 15"X 43"X 5.5" ARW STB
46	1795401	ROD HOLDER, FLUSH MNT SS 30DEG CONTR W/LOGO
	1634344	CAP, RUBBER 2" ROD HOLDER BLK (PART OF 1795401)
47	1795363	TRAY, PLAS FISH BOX BAIT 11"X 10"X 6"SR WHT (REMOVABLE)

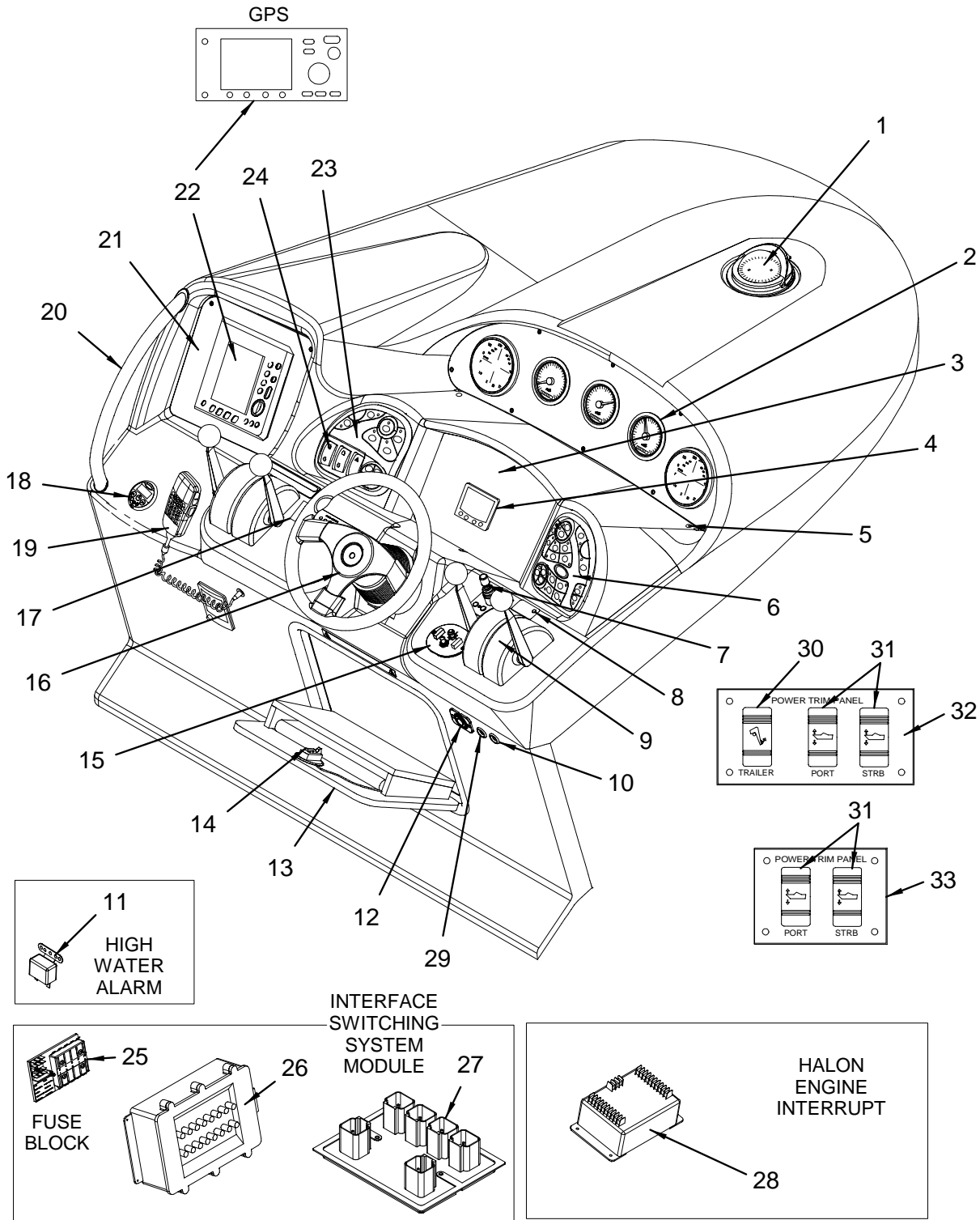
LABELS

1744733	LABEL, SEA WATER (LEXAN)
---------	--------------------------

NOT SHOWN

844746	HINGE, SS CONT 1.5"X 32" W/1/8"PIN
846832	ELBOW, PVC 1/2"FPT SWIVEL X 5/8"BARB X 90DEG
1210160	TUBING, SEATECH 15MM X 11MM X 250' BLUE
1215235	CLIP, SEATECH COLLET 15MM
1210178	ADAPTER, SEATECH 1/2"F-15MM BRASS
660332	ADAPTER, PVC 1/2"FPT X 3/4"BARB
1786753	KIT, HDPE 340SDA-05 BAIT PREP TRAY ARW 5PC
567925	TAILPIECE, MARELON 3/4"MPT X 3/4"BARB
772533	BOX, R/C 330DA-95 SHOWER CABINET
1235878	SUPPORT, HDPE 290AJ-00 CKPT LIVE BAITWELL RNG (INSIDE THE BAITSTATION)

COCKPIT (HELM)

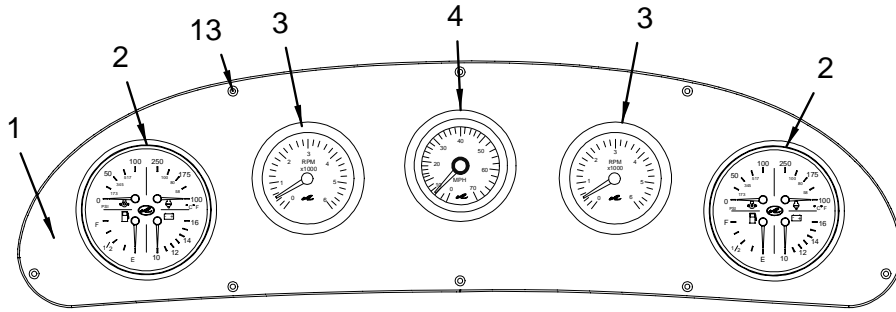


COCKPIT (HELM)

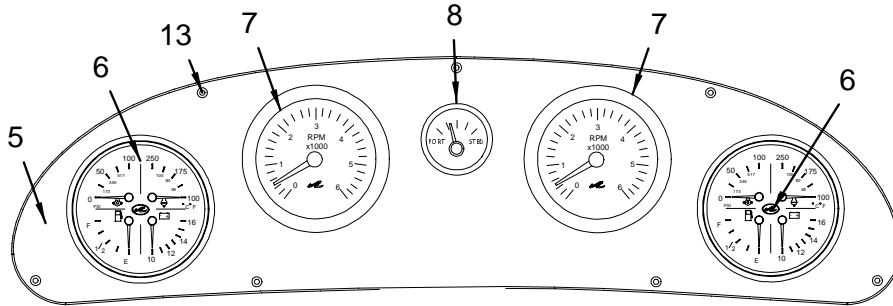
1	1472042	COMPASS, FLUSH MT 4 3/16" WHT	31	767194	BODY, ROCK SW SPDT MOM W/BLK BASE (PART OF 1898705 & 845818)
	1472802	COMPASS, FLUSH MT 4 3/16" BLK	32	845818	PANEL, 280BR/SS-96 PROP TRIM PNL TWIN ENG (DIESEL)(SEE REF# 30 & 31 FOR PARTS OF PART)
	1657816	BULB, COMPASS REPL (141788/156026/783761) (BULB FOR 1472042 & 1472802)	33	1898705	PANEL, PROP/TRIM PNL TWIN ENG (GAS)(SEE REF# 31 FOR PARTS OF PART)
2	1690616	PANEL, BLANK:320/340DA-03 INST S-CRFT	ADHESIVES		
	1765966	PANEL, BLANK:320DA-04 INST SGL DSL S/D MLL	1754139	ADHESIVE, BOSTIK B960SR NICKLE 10.30Z TUBE (COLORED GEL COAT DASH)	
	1765981	PANEL, BLANK:320DA-04 INST SGL DSL V/D MLL	HARNESSES		
3	1754562	PANEL, BLANK:320/340DA-04 LWR INST BURL	1718644	HARNESSES, 320/340DA-03 DASH S-CRFT	
	1689803	PANEL, 320/340DA-03 LWR INST W/TRID ST-60 RV1	1790090	ACC PART, EXT HARNESS 15' MERC KEY SW	
	1689805	PANEL, BLANK:340DA-03 LWR INST W/S-CRFT	1891939	HARNESSES, TWIN ENG IGN PNL DTS 07	
	1894233	PANEL, BLANK:320/340DA-07 LWR INST W/VSLVW/SC	1911120	HARNESSES, ENG SYSTEMS TACH OMEGA 3 RV4 (HULL# 1265 -> UP)	
4	1850928	TRIDATA, RAYTHEON (DEPTH,SPEED,TEMP,LOGO PLUS	1507292	HARNESSES, ENG SYSTEMS TACH/MONITOR (HULL# 1201-> 1264)	
5	916833	DRAIN, PUSH IN 3/8" WHT	1911119	HARNESSES, SYSTEM SPEED OMEGA 3 RV4 (HULL# 1265 -> UP)	
	1195478	DRAIN, PUSH IN 3/8" BLK	1507300	HARNESSES, SYSTEM SPEED (HULL# 1201-> 1264)	
6	1810626	MODULE, ELEC SWPAD S-CRUISER STBD CNVX RV3	1717449	HARNESSES, 340DA-03 INST DSL V/D	
7	1765067	BOW THRUSTER, JOYSTICK (IMTRA)12/24V W/ON/OFF	1686717	HARNESSES, 340DA-03 EXTINGUISHER RELAY DSL	
	1727462	BOW THRUSTER, CABLE SIDE PWR CNTRL 15M	1689718	HARNESSES, MERC S-CRFT STEER EXT	
	1751061	LABEL, BOW THRUSTER	LABELS		
8	1744355	LABEL, CAUTION HATCH/CANVAS CURTAIN	1744355	LABEL, CAUTION HATCH/CANVAS CURTAIN	
9	1883502	CONTROL, DTS TS/TS W/CAN TRACKPAD	1746895	LABEL, CHECK BATTERY CELL FLUID LEVEL	
	1051689	CONTROL, THRTL/SHFT W/SS HANDLES W/GOLD KNOBS (TVD-6LPSTP (T-306 PHP) YANMAR INBOARDS DSL) (BLANK TVD YANMAR 6LP STE INBOARDS DIESELS) (PROTOTYPE-TWIN INBOARD DIESEL)	1895601	LABEL, DANGER/WARNING COMBO CNTRL STA RV1	
	907063	KNOB, CONTROL GOLD SMOOTH (PART OF 1051689)	1746224	LABEL, INFO HELM SAFETY	
	907097	KNOB, CONTROL GOLD GROOVED W/RED ID (PART OF 1051689)	1744738	LABEL, RECEPTACLE 12V-15A MAX (LEXAN)	
	1762415	BEZEL, DOME POLISHED SS FOR MRP#1051689 (PART OF 1051689)	1752709	PLATE, NMMA YACHT CERT GAS	
10	1690376	ACC PART, MERC S-CRFT AIR TEMP SENSOR	1811368	LABEL, DANGER CO HELM 06	
11	140327	ALARM, BUZZER HIGH WATER	1741228	LABEL, STICKER 340SDA CANADIAN CONFORMITY	
	1726995	ACC PART, MERC ALARM BUZZER W/HARNESS	1888200	PLATE, BUILDERS AU 07-340DA (FOR BOATS BUILT IN 2007)	
12	1287283	RECEPTACLE, FEMALE 12V LONG THRD BLK	NOT SHOWN		
	1259977	PLATE, FEMALE 12V RECEPTACLE MNT	800565	BOOKLET, BOATER'S GUIDE TO AC ELECTRICAL SYST	
13	1783290	DOOR, STRG 13 3/8"X16 7/16"W/CRDSL T WHT W/SS (SEE REF# 14 FOR PARTS OF PART)	140509	BOOT, ENG STARTER RED	
	1799561	DOOR, STRG 13 3/8"X16 7/16"W/CRDSL T NCKL W/SS (SEE REF# 14 FOR PARTS OF PART)	1507326	ACC PART, MERC S-CRFT JUNC BOX 4-WAY	
	156893	WEBBING, POLYPROPYLENE 1" BLACK	1507342	ACC PART, MERC S-CRFT WTHR CAP 10POS CAP	
14	1781434	LATCH, FLUSH MNT N/LOCKING SLAM SS (PART OF 1783290 & 1799561)	1690375	ACC PART, S-CRFT PITOT SENSOR	
	1781436	PLATE, FLAT BRKT 2"SHORT SCREW W/HDRW PKG (PART OF 1783290 & 1799561)	912774	NOSING, VINYL 1"X 1/4"X 12' RIGID SR WHT	
15	1755306	CONTROL, SEARCH LIGHT W/HARNESS	1802210	NOSING, VINYL 1"X 1/4"X 10' WARM GRY/NCKL (GEL-COATED DASH - NICKEL)	
	1757404	HARNESS, SPOTLIGHT ASSY 35' W/MALE CONN	1883473	BOARD, DTS DUAL ENG HELM COMP (LOCATED BEHIND DASH AREA)	
16	1526292	STEERING WHEEL, 14.25" SPCRUIS MAHOG W/BLK	1610427	SENDER, MERC S/CRFT STEERING/RDR REFERENCE	
	1683795	STEERING WHEEL, RING FOR 1526292/1738115 (PART OF 1526292)			
	1792417	PAD, STEER WHL CTR FOR #1526292 (PART OF 1526292)			
	1747682	EMBLEM, S/R EMB SCRIPT WHEEL CHR-BEZEL 1.75"			
17	1769722	PANEL, SYS MON IND (LCD) 2004 (IF NOT AVAILABLE ORDER 1907585)			
	1907585	PANEL, SYS MON IND 2007			
18	1799348	STEREO, REMOTE CNTRL W/DSPL BLK FACE/SS BZL			
	1903545	CABLE, CLARION REMOTE EXTENSION CABLE 25'			
19	1839235	RADIO, VHF NRTHSTR PLAT COLOR (SEE VHF RADIO SECTION FOR PARTS BREAKDOWN)			
	1888915	RADIO, VHF NRTHSTR SNGL STA GRY 6100I/EURO (SEE VHF RADIO SECTION FOR PARTS BREAKDOWN)			
20	1685694	RAIL, 320DA-02 DASH GRAB			
21	1747502	PANEL, BLANK:320/340DA-03 ELEC N/CUTOUT			
	1785517	PANEL, BLANK:320/340SDA-05 W/C80 CUTOUT			
22	1772721	NAVIGATION DISPLAY, RAYMARINE C80 8" CLR LCD			
	1799696	NAVIGATION DISPLAY, RAYMARIN C80 8"LCD SUNCVR (PART OF 1772721)			
	1801244	DEPTH FINDER, DIGITAL SOUNDR MODL HSB2/DSM300			
23	1891938	MODULE, ELEC SWPAD S-CRUISER PRT DTS			
	1810625	MODULE, ELEC SWPAD S-CRUISER PRT CNVX 06			
24	1781396	SWITCH, START/STOP DUAL ENG KIT DTS			
25	937490	FUSE BLOCK, 10-GNG BLADE-TYPE ELECTRONICS			
26	1810624	MODULE, ELEC INTERFACE FWD S-CRUISER RV4			
27	1810627	MODULE, ELEC INTERFACE SWITCHING SYS 06			
28	1148857	HALON SYS, ENG INTRUPT/RESTRT 12V 5-CKT			
29	1850253	VIDEO EQUIPMENT, AUXILIARY INPUT MP3 MA-AUX2			
	1750879	CABLE, RCA AUDIO "Y" (1-FM/ 2-M) W/NOISE SUPP			
	1750893	CABLE, RCA AUDIO 14' W/EFX-2 CONN N/SUP			
30	840926	ACTUATOR, ROCK VERT BLK W/O LENS TRAILER (PART OF 845818)			
	670539	BODY, ROCK SW DPST MOM (PART OF 845818)			
31	840918	ACTUATOR, ROCK VERT BLK W/O LENS PROPUL TRIM (PART OF 1898705 & 845818)			

INSTRUMENT PANELS

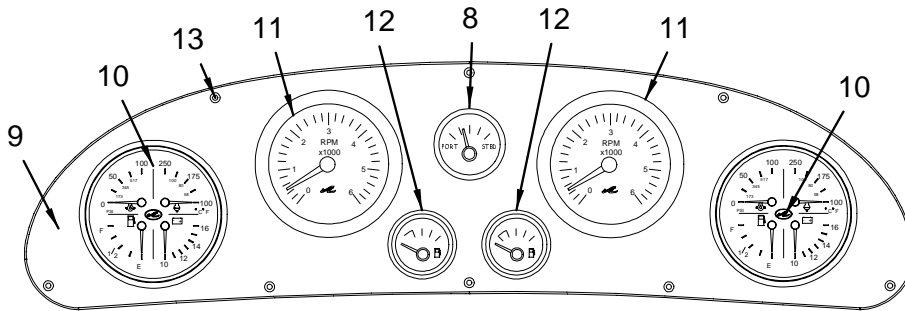
INSTRUMENT W/SMARTCRAFT



TVD-YANMAR 6LPSTP (T-306 PHP) INBOARDS DIESEL



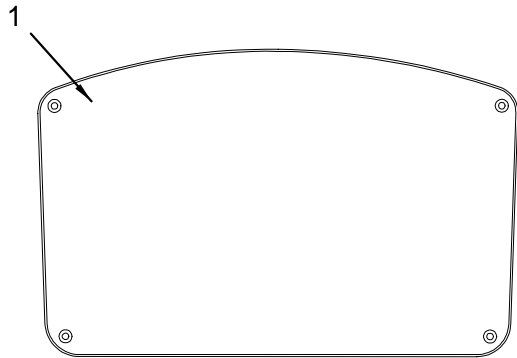
T-KAD 300 EDC/DP (T-268 PHP) VOLVO STERN DRIVE DIESEL



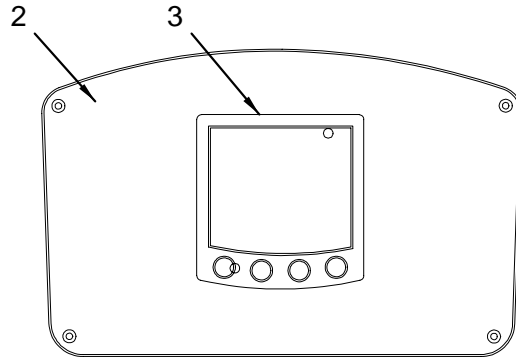
INSTRUMENT PANELS

- 1 1690616 PANEL, BLANK:320/340DA-03 INST S-CRFT
- 2 1609007 GAUGE, 5" 4-IN-1 FUEL/VOLT/OIL/TMP S-CRFT
- 1768244 GAUGE, 5" 4-IN-1 FUEL/OIL/TMP/TRIM S-CRFT
- 1690511 GAUGE, 5" 4-IN-1 VOLT/OIL/TMP/TRIM S-CRFT
- 1690382 NUT, LOCK 110MM SPIN LOCK VDO
- 3 1909622 GAUGE, SYS TACH 3"SC OMEGA 3
(HULL# 1265 -> UP)
- 1777617 GAUGE, SYS TACH 3" S-CRFT 0-7000RPM RV2
(NO LONGER AVAILABLE - ORDER 1909622)
(HULL# 1201-> 1264)
- 1689881 GAUGE, LINK TACH 3" S-CRFT 0-6000RPM
- 1690381 NUT, LOCK 85MM SPIN LOCK VDO
- 4 1909621 GAUGE, SYS SPEED 3"SC OMEGA 3
(HULL# 1265 -> UP)
- 1777616 GAUGE, SYS SPEED 3"SC 0-70MPH/RV2 POST 2602
(NO LONGER AVAILABLE - ORDER 1909621)
(HULL# 1201-> 1264)
- 1689917 GAUGE, LINK SPEED 3" S-CRFT 0-70MPH
- 1690381 NUT, LOCK 85MM SPIN LOCK VDO
- 1736148 PITOT, S-CRFT SPEEDO KIT BIG BLOCK
- 5 1765981 PANEL, BLANK:320DA-04 INST SGL DSL V/D MLL
- 6 1767753 GAUGE, TELE 4/1 SR-5"100PSI 240F V/F STB PGTL
- 7 1767752 GAUGE, TACH/LCDHOUR 5"4K MAG P/U 12V W/PIGTL
- 8 1767751 GAUGE, ENG SYNC 2" MLSS W/PIGTL
- 9 1765966 PANEL, BLANK:320DA-04 INST SGL DSL S/D MLL
- 10 1767744 GAUGE, TELE 4/1 SR5"100PSI 240F VTRIM STB PGT
- 11 1769963 GAUGE, TACH/LCDHOUR 5"6K GAS12V MLSSA/F W/PIGTL
- 12 1767746 GAUGE, FUEL 2" SGL STA 12V W/PIGTL
- 13 221036 SCREW, TAPPING #6A X 3/4" PTH SS/BLK
(SCREWS DIRECTLY INTO HE FIBERGLASS)

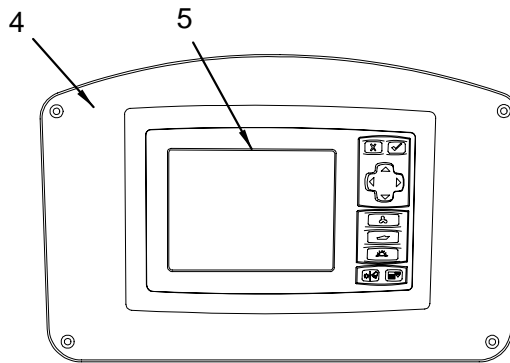
INSTRUMENT PANELS (LOWER)



LOWER INSTRUMENT BLANK



LOWER INSTRUMENT W/TRIDATA



LOWER INSTRUMENT W/ VESSEL VIEW

INSTRUMENT PANELS (LOWER)

- 1 1754562 PANEL, BLANK:320/340DA-04 LWR INST BURL
- 2 1689803 PANEL, 320/340DA-03 LWR INST W/TRID ST-60 RV1
- 3 1850928 TRIDATA, RAYTHEON (DEPTH,SPEED,TEMP,LOGO PLUS
- 4 1689805 PANEL, BLANK:340DA-03 LWR INST W/S-CRFT
(SMARTCRAFT SYSTEM VIEW- TWINS ONLY)
- 1894233 PANEL, BLANK:320/340DA-07 LWR INST W/SLVW/SC
(VESSEL VIEW - SMARTCRAFT - GAS TWINS ONLY)
- 5 1816009 ACC PART, MERC S-CRFT SYS VIEW '06 VER 3.45
(SMARTCRAFT SYSTEM VIEW- TWINS ONLY)
- 1890259 ACC PART, MERC S-CRFT VESSEL VIEW
(VESSEL VIEW - SMARTCRAFT - GAS TWINS ONLY)
- 1891375 HARNESS, MERC DUAL V V IGN POWER
(VESSEL VIEW - SMARTCRAFT - GAS TWINS ONLY)

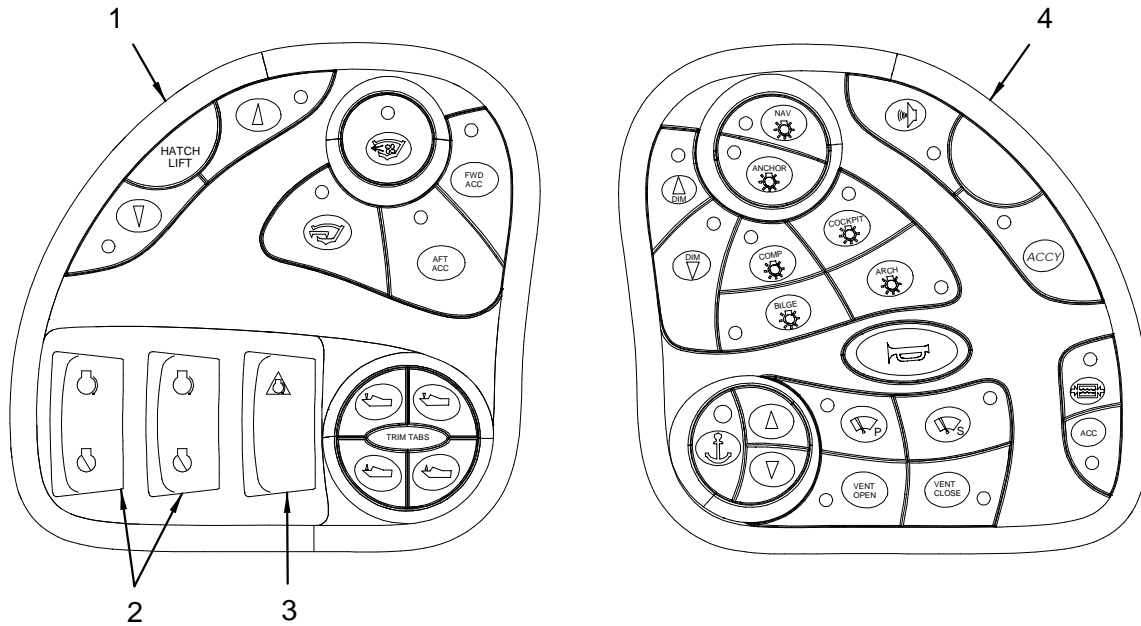
NOT SHOWN

- 1690376 ACC PART, MERC S-CRFT AIR TEMP SENSOR

HARNESSES

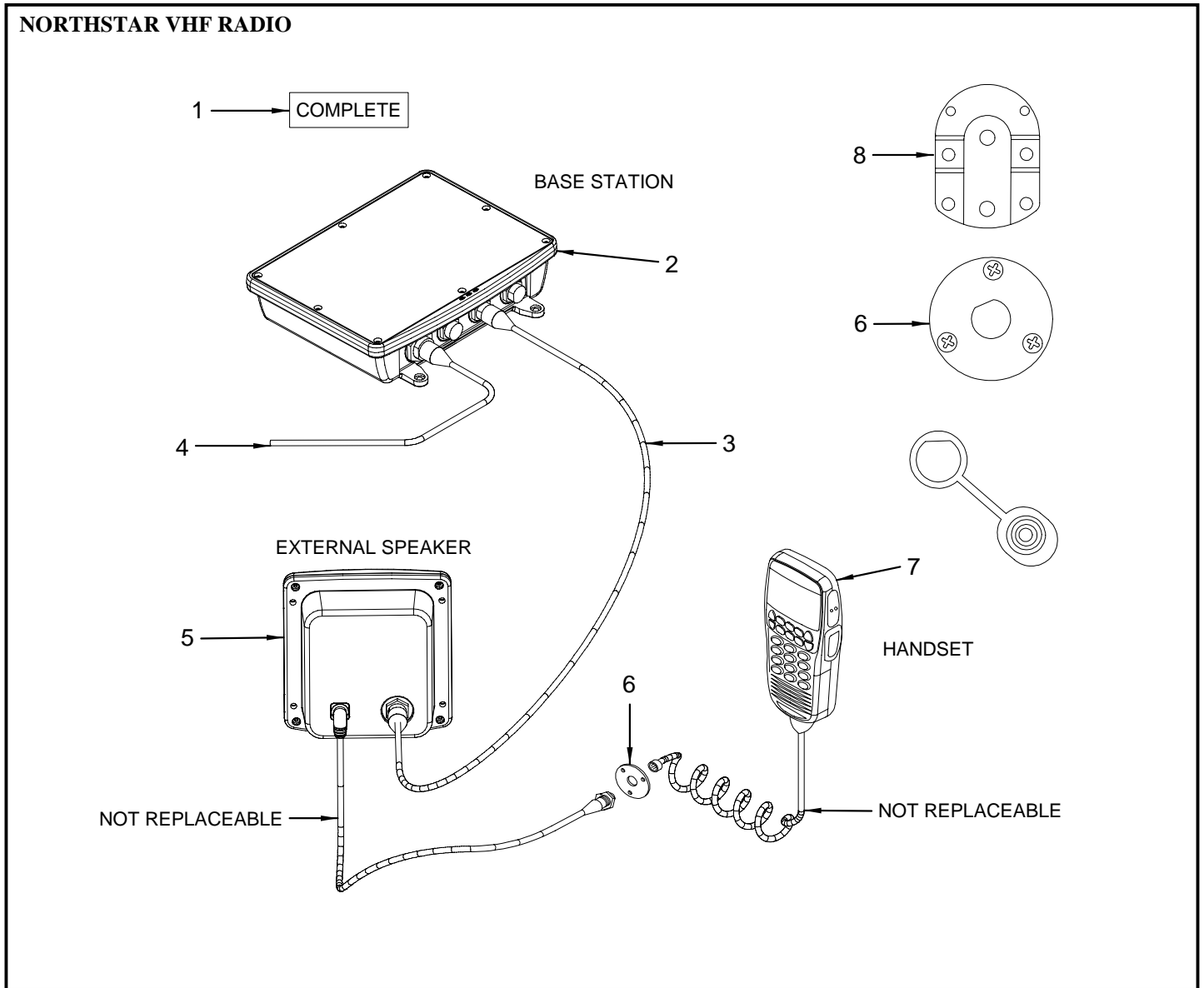
- 1881575 HARNESS, CAN V EXT 30'
(VESSEL VIEW/GENERATOR 4.0 EFCD KOHLER - 220V)
(VESSEL VIEW/GENERATOR 5.0 ECD KOHLER - 110V)
- 1889401 HARNESS, CAN V 10-2 PIN M-M ADAPTER
(VESSEL VIEW/GENERATOR 4.0 EFCD KOHLER - 220V)
(VESSEL VIEW/GENERATOR 5.0 ECD KOHLER - 110V)
- 1901233 ACC PART, MERC S-CRFT WTHR CAP 10POS PLUG
(VESSEL VIEW/GENERATOR 4.0 EFCD KOHLER - 220V)
(VESSEL VIEW/GENERATOR 5.0 ECD KOHLER - 110V)

SWITCH PANEL



SWITCH PANEL

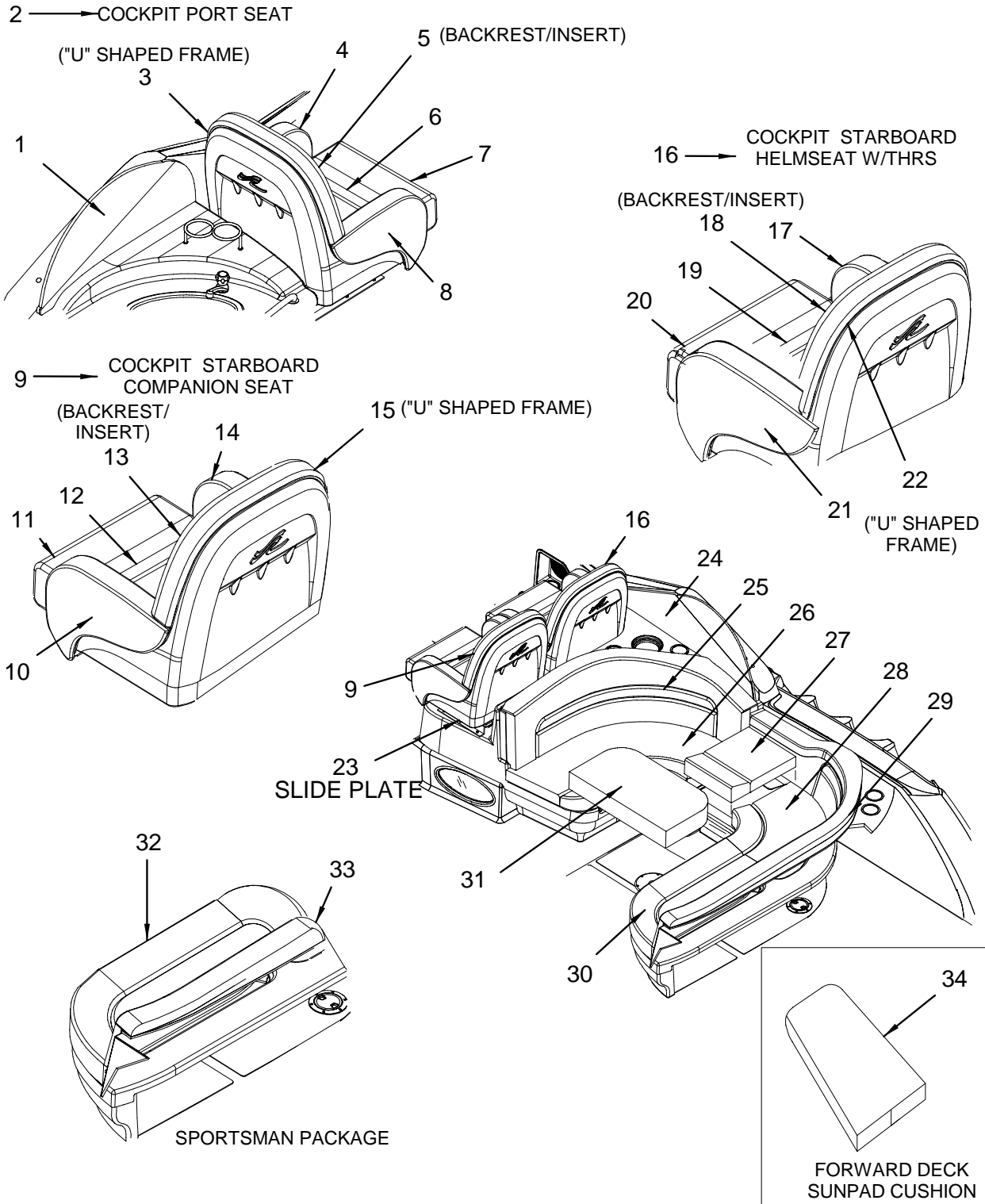
- | | | |
|---|---------|---|
| 1 | 1891938 | MODULE, ELEC SWPAD S-CRUISER PRT DTS |
| | 1810625 | MODULE, ELEC SWPAD S-CRUISER PRT CNVX 06
(TVD-6LPSTP (T-306 PHP) YANMAR INBOARDS DSL)
(BLANK TVD YANMAR 6LP STE INBOARDS DIESELS)
(PROTOTYPE-TWIN STERN DRIVE DIESEL)
(PROTOTYPE-TWIN INBOARD DIESEL) |
| 2 | 1781396 | SWITCH, START/STOP DUAL ENG KIT DTS |
| | 1457159 | ACTUATOR, ROCK BLK W/O LENS ENG STRT/STP CNT4 |
| | 670521 | BODY, ROCK SW 2 CKT PROG |
| 3 | 1457167 | ACTUATOR, ROCK BLK W/O LENS ENG STRT CNTRL4 |
| | 1526698 | BODY, ROCK SW DPST MOM W/O BARRIER |
| 4 | 1810626 | MODULE, ELEC SWPAD S-CRUISER STBD CNVX RV3 |



NORTHSTAR VHF RADIO

- 1 1839235 RADIO, VHF NRTHSTR PLAT COLOR
(SEE REF# 2-8 FOR PARTS OF PART)
- 1888915 RADIO, VHF NRTHSTR SNGL STA GRY 6100I/EURO
(C E OPTION GROUP)
- 2 1807908 BASE, PLAS NRTHSTR VHF RADIO BLKBOX
(PART OF 1839235)
- 3 1807869 HARNESS, NRTHSTR VHF BLKBX TO SPKR CBL 72"
(PART OF 1839235)
- 4 1807871 HARNESS, NRTHSTR VHF BLKBX PWR CBL 6'
(PART OF 1839235)
- 5 1896838 SPEAKER, REMOTE NRTHSTR VHF BLKBOX BLK
(PART OF 1839235)
- 6 1878760 RADIO, VHF MIC PLATE BLK
(PART OF 1839235)
- 7 1896837 RADIO, VHF NRTHSTR BLKBOX PLAT COLOR HANDSET
(PART OF 1839235)
- 8 1851777 RADIO, VHF MIC CLIP ONLY
(PART OF 1839235)

COCKPIT (UPHOLSTERY)



COCKPIT (UPHOLSTERY)

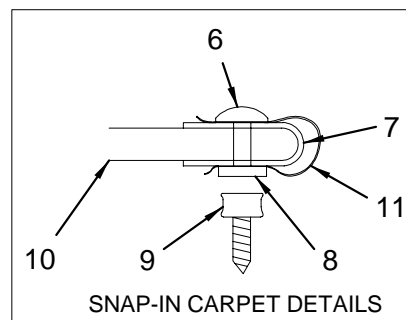
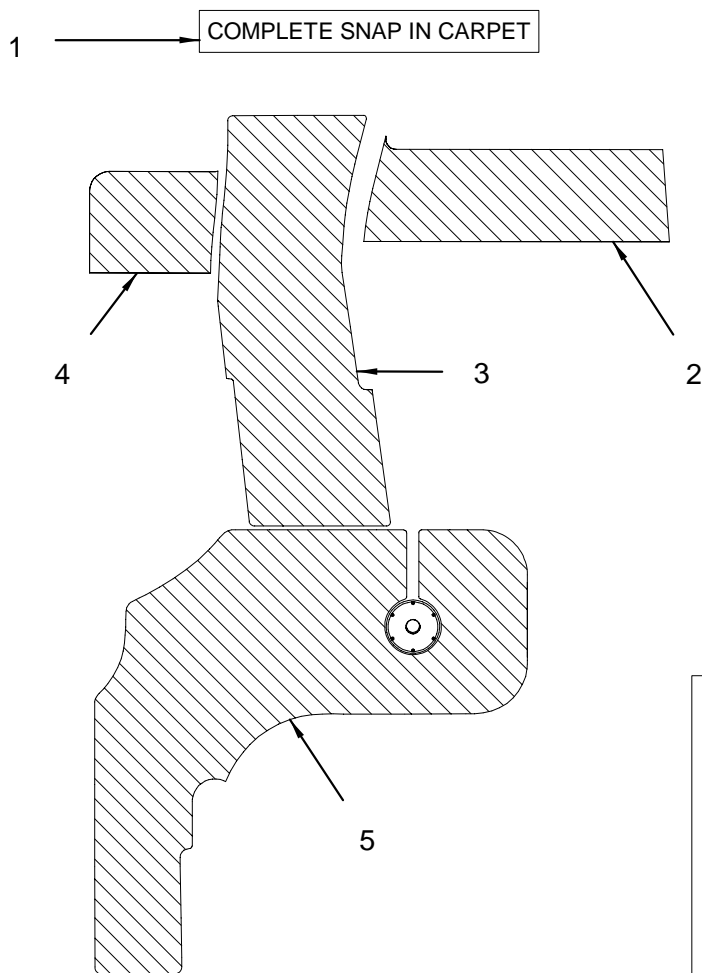
1	1890902	PANEL, 340SDA-07 PRT SPOILER OMNOVA N/TREES	11	1809474	HELMSEAT, 340SDA-06 COMP LEGROLL SKN OMNOVA (HULL# 1210 -> 1213)	
	1803103	PANEL, 340SDA-06 LWR CKPT PRT SIDE OMNOVA	12	1937652	H/S, 340SDA-08 COMP BTM CUSH OMNOVA CHMPGN (HULL# 1214 -> UP)	
	1809456	PANEL, 340SDA-06 LWR CKPT PRT SIDE SKN OMNOVA		1937654	H/S, 340SDA-08 COMP BTM CUSH SKN OMNOVA CHMP (HULL# 1214 -> UP)	
	1793033	PANEL, 340SDA-05 AFT CKPT PRT SIDE (OPT) OMN (SPORTSMAN'S PACKAGE)		1809475	HELMSEAT, 340SDA-06 COMP BTM CUSH OMNOVA (HULL# 1210 -> 1213)	
	1794520	PANEL, 340SDA-05 AFTCKPT PRT SIDE(OPT)SKN OMN (SPORTSMAN'S PACKAGE)		1809476	HELMSEAT, 340SDA-06 COMP BTM CUSH SKN OMNOVA (HULL# 1210 -> 1213)	
2	1902837	HELMSEAT, 340SDA-08 PRT OMNOVA CHMPGN (HULL# 1214 -> UP)	13	1937656	H/S, 340SDA-08 COMP BACK CUSH OMNOVA CHMPGN (HULL# 1214 -> UP)	
	1803109	HELMSEAT, 340SDA-06 PRT OMNOVA (HULL# 1201 -> 1213)		1937658	H/S, 340SDA-08 COMP BACK CUSH SKN OMNOVA CHMP (HULL# 1214 -> UP)	
3	1937631	SEAT, 340SDA-08 FRAME OMNOVA CHMPGN (HULL# 1214 -> UP)		1809477	HELMSEAT, 340SDA-06 COMP BACK CUSH OMNOVA (HULL# 1210 -> 1213)	
	1937632	SEAT, 340SDA-08 FRAME SKN OMNOVA CHMPGN (HULL# 1214 -> UP)		1809478	HELMSEAT, 340SDA-06 COMP BACK CUSH SKN OMNOVA (HULL# 1210 -> 1213)	
	1809458	SEAT, 340SDA-06 FRAME OMNOVA (HULL# 1201 -> 1213)		14	1937659	H/S, 340SDA-08 COMP ARMST STB OMNOVA CHMPGN (HULL# 1214 -> UP)
	1809459	SEAT, 340SDA-06 FRAME SKN OMNOVA (HULL# 1210 -> 1213)		1937660	H/S, 340SDA-08 COMP ARMST STB SKN OMNV CHMP (HULL# 1214 -> UP)	
4	1937633	SEAT, 340SDA-08 ARMST PRT OMNOVA CHMPGN (HULL# 1214 -> UP)		1809479	HELMSEAT, 340SDA-06 COMP ARMST STB OMNOVA (HULL# 1210 -> 1213)	
	1937634	SEAT, 340SDA-08 ARMST PRT SKN OMNOVA CHMPGN (HULL# 1214 -> UP)		1809480	HELMSEAT, 340SDA-06 COMP ARMST ST SKN OMNOVA (HULL# 1210 -> 1213)	
	1809460	SEAT, 340SDA-06 ARMST PRT OMNOVA (HULL# 1210 -> 1213)	15	1937661	H/S, 340SDA-08 COMP FRAME OMNOVA CHMPGN (HULL# 1214 -> UP)	
	1809461	SEAT, 340SDA-06 ARMST PRT SKN OMNOVA (HULL# 1210 -> 1213)		1937662	H/S, 340SDA-08 COMP FRAME SKN OMNOVA CHMPGN (HULL# 1214 -> UP)	
5	1937635	SEAT, 340SDA-08 BACK OMNOVA CHMPGN (HULL# 1214 -> UP)		1809481	HELMSEAT, 340SDA-06 COMP FRAME OMNOVA (HULL# 1201 -> 1213)	
	1937636	SEAT, 340SDA-08 BACK SKN OMNOVA CHMPGN (HULL# 1214 -> UP)		1809482	HELMSEAT, 340SDA-06 COMP FRAME SKN OMNOVA (HULL# 1201 -> 1213)	
	1809462	SEAT, 340SDA-06 BACK OMNOVA (HULL# 1210 -> 1213)	16	1902833	HELMSEAT, 340SDA-08 W/THRSBRKT OMNOVA CHMPGN (HULL# 1214 -> UP)	
	1809463	SEAT, 340SDA-06 BACK SKN OMNOVA (HULL# 1210 -> 1213)		1803107	HELMSEAT, 340SDA-06 HELMSEAT W/THRSBRKT OMNOV (HULL# 1201 -> 1213)	
6	1937637	SEAT, 340SDA-08 BTM CUSH OMNOVA CHMPGN (HULL# 1214 -> UP)		1809483	HELMSEAT, 340SDA-06 H/S W/THRS BKT SKN OMNOVA (HULL# 1201 -> 1213)	
	1937638	SEAT, 340SDA-08 BTM CUSH SKN OMNOVA CHMPGN (HULL# 1214 -> UP)	17	1937663	H/S, 340SDA-08 W/THRS ARMST STB OMNOVA CHMP (HULL# 1214 -> UP)	
	1809464	SEAT, 340SDA-06 BTM CUSH OMNOVA (HULL# 1210 -> 1213)		1937665	H/S, 340SDA-08 W/THRS ARMST STB SKN OMN CHMP (HULL# 1214 -> UP)	
	1809465	SEAT, 340SDA-06 BTM CUSH SKN OMNOVA (HULL# 1210 -> 1213)		1809484	HELMSEAT, 340SDA-06 W/THRS ARMST STB OMNOVA (HULL# 1201 -> 1213)	
7	1937639	SEAT, 340SDA-08 LEGROLL OMNOVA CHMPGN (HULL# 1214 -> UP)		1809485	HELMSEAT, 340SDA-06 W/THRS ARMST STB SKN OMN (HULL# 1201 -> 1213)	
	1937640	SEAT, 340SDA-08 LEGROLL SKN OMNOVA CHMPGN (HULL# 1214 -> UP)	18	1937666	H/S, 340SDA-08 W/THRS BACK OMNOVA CHMPGN (HULL# 1214 -> UP)	
	1809466	SEAT, 340SDA-06 LEGROLL OMNOVA (HULL# 1210 -> 1213)		1937667	H/S, 340SDA-08 W/THRS BACK SKN OMNOVA CHMPGN (HULL# 1214 -> UP)	
	1809467	SEAT, 340SDA-06 LEGROLL SKN OMNOVA (HULL# 1210 -> 1213)		1809486	HELMSEAT, 340SDA-06 W/THRS BACK OMNOVA (HULL# 1201 -> 1213)	
8	1937641	SEAT, 340SDA-08 ARMST STB OMNOVA CHMPGN (HULL# 1214 -> UP)		1809487	HELMSEAT, 340SDA-06 W/THRS BACK SKN OMNOVA (HULL# 1201 -> 1213)	
	1937642	SEAT, 340SDA-08 ARMST STB SKN OMNOVA CHMPGN (HULL# 1214 -> UP)	19	1937668	H/S, 340SDA-08 W/THRS BTM CUSH OMNOVA CHMPGN (HULL# 1214 -> UP)	
	1809468	SEAT, 340SDA-06 ARMST STB OMNOVA (HULL# 1210 -> 1213)		1937669	H/S, 340SDA-08 W/THRS BTM CUSH SKN OMNV CHMP (HULL# 1214 -> UP)	
	1809469	SEAT, 340SDA-06 ARMST STB SKN OMNOVA (HULL# 1210 -> 1213)		1809488	HELMSEAT, 340SDA-06 W/THRS BTM CUSH OMNOVA (HULL# 1201 -> 1213)	
9	1902834	HELMSEAT, 340SDA-08 COMP OMNOVA CHMPGN (HULL# 1214 -> UP)		1809489	HELMSEAT, 340SDA-06 W/THRS BTM CUSH SKN OMNOVA (HULL# 1201 -> 1213)	
	1803108	HELMSEAT, 340SDA-06 COMPANION OMNOVA (HULL# 1201 -> 1213)	20	1937670	H/S, 340SDA-08 W/THRS LEGROLL OMNOVA CHMPGN (HULL# 1214 -> UP)	
	1809470	HELMSEAT, 340SDA-06 COMP SKN OMNOVA (HULL# 1210 -> 1213)		1937671	H/S, 340SDA-08 W/THRS LEGROLL SKN OMNOVA CHMP (HULL# 1214 -> UP)	
10	1937643	H/S, 340SDA-08 COMP ARMST PT OMNOVA CHMPGN (HULL# 1214 -> UP)		1809490	HELMSEAT, 340SDA-06 W/THRS LEGROLL OMNOVA (HULL# 1201 -> 1213)	
	1937646	H/S, 340SDA-08 COMP ARMST PT SKN OMNOVA CHMP (HULL# 1214 -> UP)		1809491	HELMSEAT, 340SDA-06 W/THRS LEGROLL SKN OMNOVA (HULL# 1201 -> 1213)	
	1809471	HELMSEAT, 340SDA-06 COMP ARMST PRT OMNOVA (HULL# 1210 -> 1213)	21	1937672	H/S, 340SDA-08 W/THRS ARMST PRT OMNOVA CHMP (HULL# 1214 -> UP)	
	1809472	HELMSEAT, 340SDA-06 COMP ARMST PT SKN OMNOVA (HULL# 1210 -> 1213)		1937673	H/S, 340SDA-08 W/THRS ARMST PRT SKN OMN CHMP (HULL# 1214 -> UP)	
11	1937648	H/S, 340SDA-08 COMP LEGROLL OMNOVA CHMPGN (HULL# 1214 -> UP)		1809492	HELMSEAT, 340SDA-06 W/THRS ARMST PRT OMNOVA (HULL# 1201 -> 1213)	
	1937651	H/S, 340SDA-08 COMP LEGROLL SKN OMNOVA CHMPGN (HULL# 1214 -> UP)				
	1809473	HELMSEAT, 340SDA-06 COMP LEGROLL OMNOVA (HULL# 1210 -> 1213)				

- 21 1809493 HELMSEAT, 340SDA-06 W/THRS ARMST PRSTKN OMNO
(HULL# 1201 -> 1213)
- 22 1937674 H/S, 340SDA-08 W/THRS FRAME OMNOVA CHMPGN
(HULL# 1214 -> UP)
("U" SHAPED FRAME)
- 1937675 H/S, 340SDA-08 W/THRS FRAME SKN OMNOVA CHMPGN
(HULL# 1214 -> UP)
("U" SHAPED FRAME)
- 1809494 HELMSEAT, 340SDA-06 W/THRS FRAME OMNOVA
(HULL# 1201 -> 1213)
("U" SHAPED FRAME)
- 1809495 HELMSEAT, 340SDA-06 W/THRS FRAME SKN OMNOVA
(HULL# 1201 -> 1213)
("U" SHAPED FRAME)
- 23 1809496 HELMSEAT, 340SDA-06 W/THRS SLIDE PLATE
(HULL# 1201 -> 12013)
(COMES ATTACHED TO HELM SEAT FROM VENDOR)
- 24 1890903 PANEL, 340SDA-07 STB SPOILER OMNOVA N/TREES
- 1803104 PANEL, 340SDA-06 LWR CKPT STB SIDE OMNOVA
- 1809498 PANEL, 340SDA-06 LWR CKPT STB SIDE SKN OMNOVA
- 1799407 PANEL, 340SDA-06 AFT CKPT STB W/MGNTS SPRTPKG
(SPORTSMAN PACKAGE)
- 1809499 PANEL, 340SDA-06 AFT CKPT STB W/MGNTS SKN SPR
(SPORTSMAN PACKAGE)
- 25 1902831 BLSTR, 340SDA-08 CKPT CIRC AFT FCNG OMN CHMPG
(HULL# 1214 -> UP)
- 1803102 BLSTR, 340SDA-06 CKPT CIRC AFT FCNG OMNOVA
(HULL# 1201 -> 1213)
- 1809500 BLSTR, 340SDA-06 CKPT CIRC AFT FCNG SKN OMNOV
(HULL# 1201 -> 1213)
- 26 1788326 CUSH, 340DA CKPT CIRC SEAT AFT FCNG OMNOVA
- 1794510 CUSH, 340DA CKPT CIRC SEAT AFT FCNG SKN OMNOV
- 609883 CLEAT, PLAS 3/4"X 1"X 4" GREY
- 27 1788325 CUSH, 340DA CKPT CIRC SEAT FILR OMNOVA
- 1794509 CUSH, 340DA CKPT CIRC SEAT FILR SKN OMNOVA
- 28 1788324 CUSH, 340DA CKPT CIRC SEAT MID OMNOVA
- 1794508 CUSH, 340DA CKPT CIRC SEAT MID SKN OMNOVA
- 609883 CLEAT, PLAS 3/4"X 1"X 4" GREY
- 29 1902828 BLSTR, 340SDA-08 CKPT CIRC FWD FCNG OMN CHMPG
(HULL# 1214 -> UP)
- 1803101 BLSTR, 340SDA-06 CKPT CIRC FWD FCNG OMNOVA
(HULL# 1201 -> 1213)
- 1809501 BLSTR, 340SDA-06 CKPT CIRC FWD FCNG SKN OMNOV
(HULL# 1201 -> 1213)
- 30 1788323 CUSH, 340DA CKPT CIRC SEAT FWD FCNG OMNOVA
- 1794507 CUSH, 340DA CKPT CIRC SEAT FWD FCNG SKN OMNOV
- 609883 CLEAT, PLAS 3/4"X 1"X 4" GREY
- 31 1788327 CUSH, 340DA CKPT CIRC SEAT SUNPAD FL OMNOVA
- 1794511 CUSH, 340DA CKPT CIRC SEAT SUNPAD FL SKN OMNO
- 32 1793031 CUSH, 340SDA-05 AFT FOLDAWAY BNCHST OMNOVA
(SPORTSMAN PACKAGE)
(SUPPORT LEG FOR SEAT COMES WITH CUSHION)
- 1794518 CUSH, 340SDA 05 AFT FLDAWY BNCHSTSKN OMNOVA
(SPORTSMAN PACKAGE)
- 33 1803110 BLSTR, 340SDA-06 AFT FOLDAWAY OMNOVA
- 1809502 BLSTR, 340SDA-06 AFT FOLDAWAY SKN OMNOVA
- 34 1793030 CUSH, 340SDA-05 SUNPAD FWD DECK OMNOVA
- 1794506 CUSH, 340SDA 05 SUNPAD FWD DECK SKN OMNOVA

VELCRO

- 1286426 VELCRO, DUAL LOCK CLR 1"X 50YD W/ADH BACK

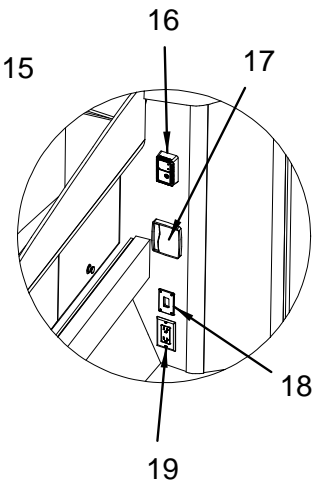
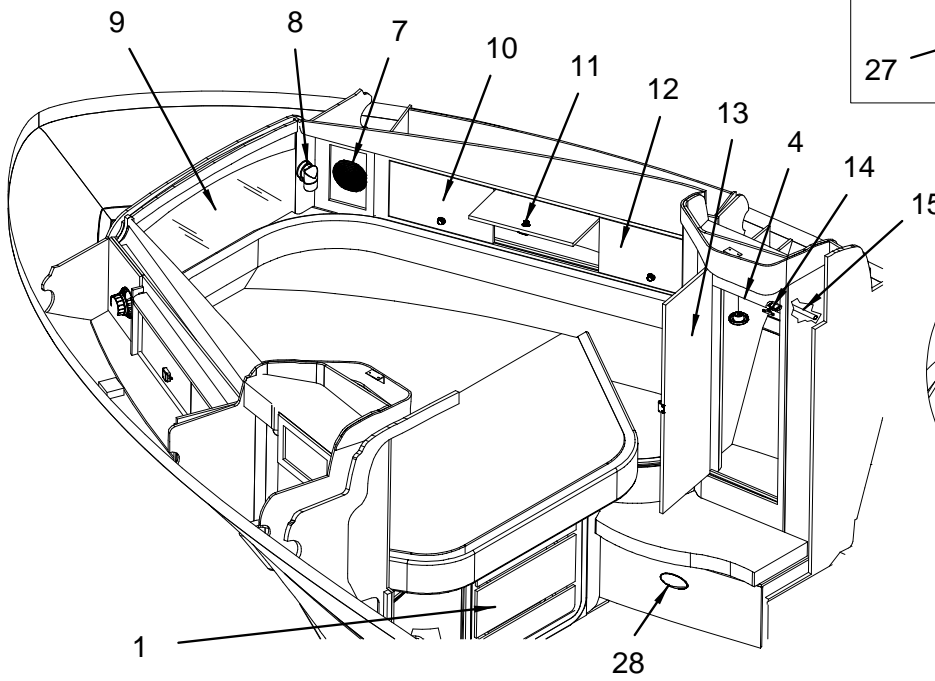
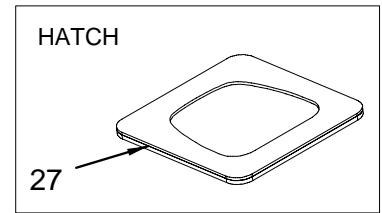
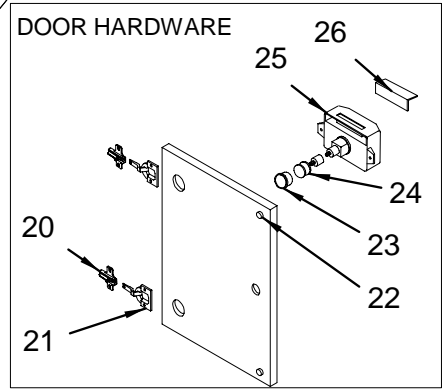
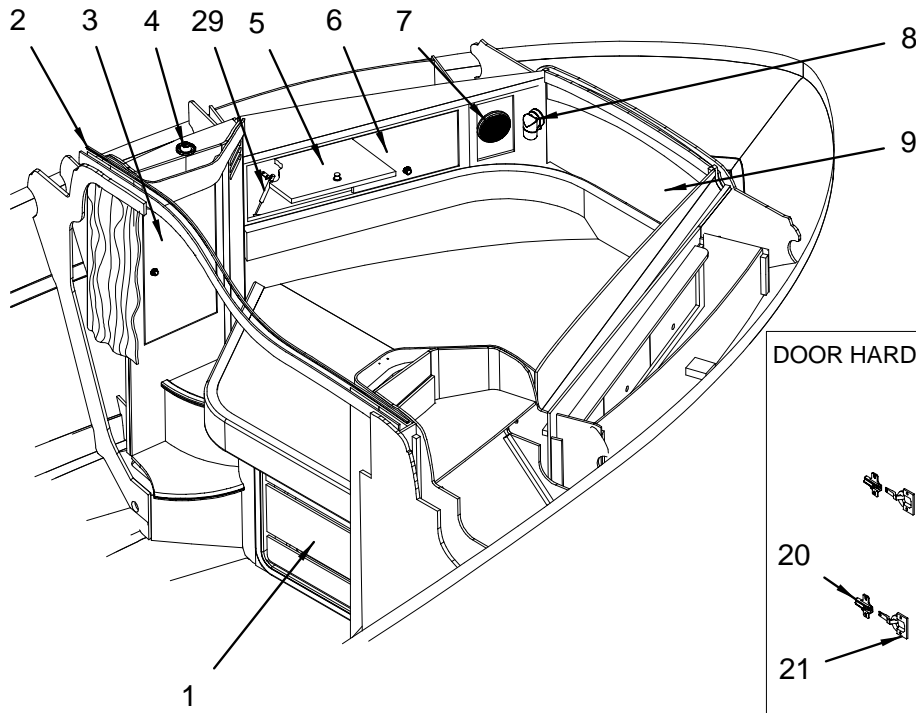
COCKPIT SNAP-IN CARPET LINER



COCKPIT SNAP-IN CARPET LINER

- 1 1910827 340SDA 08,CARPET,CKPT CMLPT
- 2 1910828 340SDA 08,CARPET,CKPT STB FWD
- 3 1910829 340SDA 08,CARPET,CKPT CTR
- 4 1910830 340SDA 08,CARPET,PRT FWD CKPT
- 5 1910831 340SDA 08,CARPET,CKPT AFT
- 1911436 340SDA 08,CARPET,CKPT AFT FLD AWAY BNCHST
(SPORTSMAN'S PACKAGE)
- 6 1895033 SNAP BUTTON, W/ 1/8" SS BARREL
- 7 1911055 BINDING, CANVAS 1" NEW PWTR STRAIGHT SNBRLA
- 8 1163864 SNAP SOCKET, W/ 1/8" HOLE
- 9 154369 SNAP STUD, W/#8 X 3/8" PH SS
- 10 1894637 CARPET, EXT 24 OZ GUNMETAL BT 7.5'
- 1609916 CARPET, EXT 28 OZ DUNE PEBBLE #902 RL 7'W
- 11 1790664 SNAP REINFORCEMENT, PLAS BACKER 500 PC/ROLL

FORWARD STATEROOM



FORWARD STATEROOM

NOT SHOWN (continued)

1750878 CABLE, RCA AUDIO 20' W/EFX-2 CONN W/NOISE SUP
(LOCATED ON STBD HANGLOCKER)
(GAMING PORT)

- 1 1910832 340SDA 08,RETURN,A/C FWDSTRM BUNK
2 132183 TRACK, ALUM CURT TRK 0.275"X 0.688" TAB TYPE
3 1910833 340SDA 08,DOOR,FWDSTRM PRT H/L
4 766055 LIGHT, RECESSED W/CLEAR LENS CHR 10W HALOGEN
833269 BULB, REPL FOR #0784975/0830307 12V/10W HALOGEN
(PART OF 766055)
5 1910834 340SDA 08,DOOR,FWDSTRM PRT AFT GNWL
6 1910835 340SDA 08,DOOR,FWDSTRM PRT FWD GNWL
7 1690557 SPEAKER, COAXIAL 6.5" N/CVR
1690558 GRILL, SPEAKER 6.5" ACOM WHT
1877940 SPEAKER, JL 6.5"COAXIAL 150W/4OHMS
(GRILL NOT SOLD SEPARATELY AT THIS TIME)(PREMIUM
COCKPIT SOUND SYSTEM - 12 VOLT)
1849195 SPEAKER, 10" SUBWOOFER MARINE WHT
(PREMIUM CABIN SOUND SYSTEM - 12 VOLT)
1892022 GRILL, 10" SUBWOOFER MARINE WHT W/BLK LOGO
(PART OF 1849195)
8 1831205 SPOTLIGHT, SWVL TASK BRSHD SS W/SW N/CONN
1820310 BULB, REPL FOR #1803184/1831205
(PART OF 1831205)
9 1910836 340SDA 08,MIR ASSY,FWDSTRM
1690979 MIRROR, 1/8"X 17.5" X 42"
10 1910837 340SDA 08,DOOR,FWDSTRM STB FWD GNWL
11 1910838 340SDA 07,DOOR,FWDSTRM STB CTR GNWL
12 1910839 340SDA 08,DOOR,FWDSTRM STB AFT GNWL
13 1910840 340SDA 08,DOOR,FWDSTRM STB H/L
1690980 MIRROR, 1/8"X 15.5"X 44.5"POL EDGES
839399 HINGE, SELF CLOSING BLUM SCREW-ON
1437219 PULL, DOOR FLUSH MIRROR CHR
14 390849 CATCH, GRABBER LATCH W/10LB HOLD BLK PLAS
15 723882 BAR, HANGING ROD (CLOTHES) ALUM 17.5"
16 1781228 MONITOR, CO DETECTOR WHT CMD-4
1816920 PLATE, CO MONITOR BCKNG WHT CMD-4M-RLY-FCB
17 1805241 A/C COMP, CONTROLLER SMXHT DISPLAY DX-GREY
1818834 COVER PLATE, IDEA-SERIES 3-GANG BRSH NCK SQ
1048834 A/C COMP, HOSE RING 4" RND PLAS
18 1688434 PANEL, 340DA-03 SLN/FWD STRM LIGHT SW BLK
797761 BODY, ROCK SW SPST BLK 12V INCAND NON-LIT
(PART OF 1688434)
1541655 ACTUATOR, ROCK SWITCH-LIGHTS BLK
(PART OF 1688434)
19 1787506 RECEPTACLE, DUPLEX BLACK 15A
1787521 COVER PLATE, SGL DUPLEX RECEPT BLK LVT
627737 BOX, RECEPTACLE/SWITCH PVC 1-GANG DEEP
20 525667 HINGE, CONCEALED FULL OVERLAY MT PLATE ONLY
21 839399 HINGE, SELF CLOSING BLUM SCREW-ON
22 663708 BUMPER, CLEAR .020" THICK
23 1742136 PULL, PUSH-BUTTON KNOB SAT/NCKL
24 1776837 PULL, ROSETTE SAT/NCKL RND 16MM (5/8")
25 772418 CATCH, RIM-LOCK WHT
1132380 CATCH, RIM-LOCK WHT (SHIM ONLY)
26 761445 CATCH, RIM-LOCK STRIKE PLATE
27 1689596 SCREEN, DECK TRAPEZOID SKYSCREEN MK4
1798386 SCREEN, DECK TRAPEZOID SKYSCREEN SHADE ONLY
(PART OF 1689596)
1798387 SCREEN, DECK TRAPEZOID SKYSCREEN SCREEN ONLY
(PART OF 1689596)
28 1900643 LIGHT, COURTESY OBLNG LED BRSHD SS SURF N/CON
(HULL# 1209 -> UP)
840850 LIGHT, COURTESY OVAL STEP ANTIQUE WHT (INT)
(HULL# 1201 -> 1208)
935718 SCREW, SS FOR #8862 WHT OVAL STEP LIGHT
(HULL# 1201 -> 1208)(PART OF 840850)
1184639 BULB, REPL FOR MRP #0840850 (STEP LT)
(HULL# 1201 -> 1208)(PART OF 840850)
29 950287 CYLINDER, GAS 20PSI 10"EXT X 7"COMP
634550 BRACKET, SS GAS CYL 90DEG L-BRKT W/BALL LONG

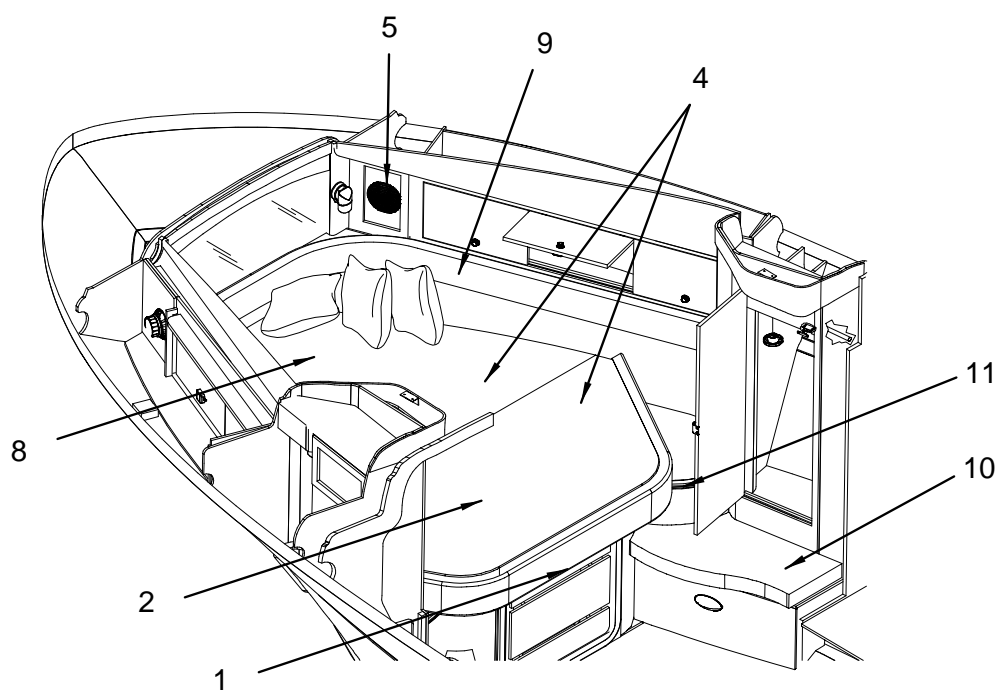
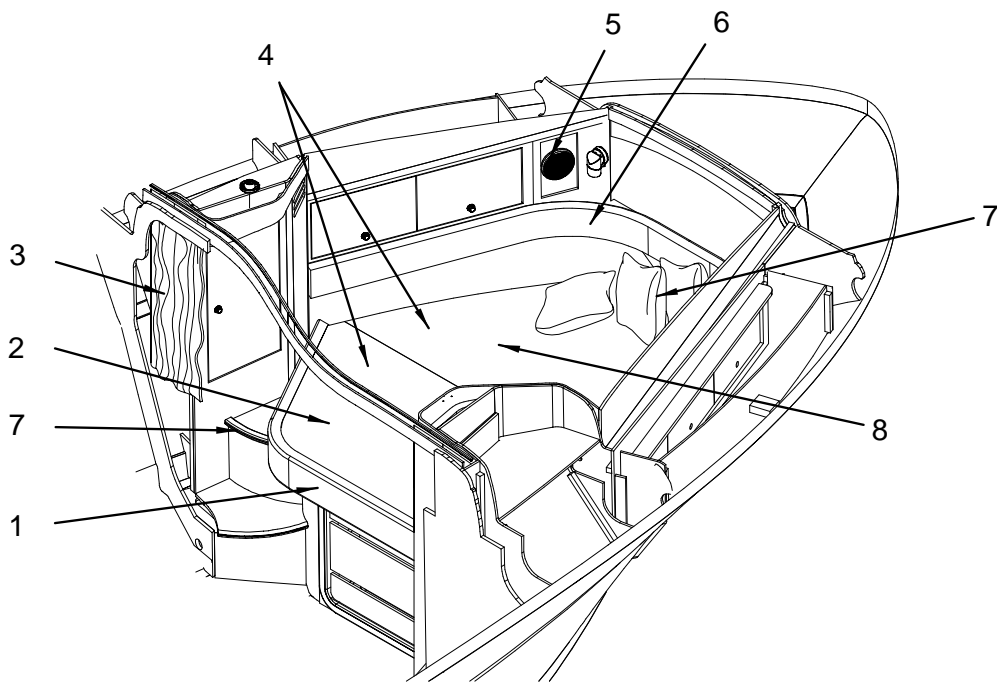
BRACKETS

- 835850 BRACKET, ALUM 1"X 1"X 1" 3/16"HOLES
952929 BRACKET, ALUM 1"X 1/8"X 3" 3/16"HOLES
835843 BRACKET, ALUM 1"X 1/2"X 3" 3/16"HOLES 2SIDES
835835 BRACKET, ALUM 1"X 1"X 3" 3/16"HOLES 2SIDES
836023 BRACKET, ALUM 1.5"X 1.5"X 1.5" 3/16"HOLES
836122 BRACKET, PVC 1.5"X 1.5"X 3" 3/16"HOLES

NOT SHOWN

- 1500552 CLIP, TABLE LEG 60MM TUBE BLK
141903 HINGE, AL CONT 2"X 72" SAT
1803007 VIDEO EQUIPMENT, REMOTE GAMING SYS INPUT PNL
(LOCATED ON STBD HANGLOCKER)
(GAMING PORT)

FORWARD STATEROOM (UPHOLSTERY)



FORWARD STATEROOM (UPHOLSTERY)**VINYLS**

845594 VINYL, ULTRALTHR DOE 3601
(INTERIOR 3A, 3B)
(BOLSTER & INTERIOR SEATING)
1004050 VINYL, ULTRALTHR BUFF #3609
(INTERIOR 1B)
(BOLSTER & INTERIOR SEATING)

- 1 1910841 340SDA 08,BLSTR,FWDSTRM BUNK
1910842 340SDA 08,BLSTR SKN,FWDSTRM BUNK
2 1910845 340SDA 08,MATT,AFT FWDSTRM CMPLT
1910846 340SDA 08,MATT SKN,AFT FWDSTRM CMPLT
3 1888936 CURTAIN, 340DA-08 LUSTRE/IVORY CMPLT
(COMPLETE PACKAGE, ORDER BY DESCRIPTION)
1914573 CURTAIN, 340SDA-08 PRIV FWDSTRM LUSTRE/IVORY
(PART OF 1888936)
1914572 CURTAIN, 340SDA-08 PRTLIGHT SNP-ON (3)
(PART OF 1888936)
1914574 CURTAIN, 340SDA-08 PRIV MIDSTRM LUSTRE/IVORY
(PART OF 1888936)
132183 TRACK, ALUM CURT TRK 0.275"X 0.688" TAB TYPE
(FWD STATEROOM/SALON/MID STATEROOM/GALLEY/PORT
HEAD)
157461 UPH PARTS, END STOP W/LOOP
(FWD STATEROOM/SALON/MID STATEROOM/GALLEY/PORT
HEAD)
4 1911430 340SDA 08,MATT,FWDSTRM CMPLT
1911431 340SDA 08,MATT SKN,FWDSTRM CMPLT
5 1892967 FABRIC, SPKR CLOTH CREPE ALABASTR 3001 1/8"FB
6 1910847 340SDA 08,BLSTR,FWDSTRM PRT
1910848 340SDA 08,BLSTR SKN,FWDSTRM PRT
7 1874814 VINYL, ALLANTE II ALABASTER EXP FLAT
(BLACK VINYL TRIM)
8 1910843 340SDA 08,MATT,FWD FWDSTRM CMPLT
1910844 340SDA 08,MATT SKN,FWD FWDSTRM CMPLT
9 1910849 340SDA 08,BLSTR,FWDSTRM STB
1910850 340SDA 08,BLSTR SKN,FWDSTRM STB
10 1910851 340SDA 08,CUSH,FWDSTRM SETTEE
(CARPET UNDER CUSHION)
1910852 340SDA 08,CUSH SKN,FWDSTRM SETTEE
11 1874814 VINYL, ALLANTE II ALABASTER EXP FLAT
(BLACK VINYL TRIM)

CARPET

- 1883614 CARPET, INT 44 OZ PRAIRIE TAN 6'W
(GLUED IN CARPET)
1883672 CARPET, INT 44 OZ ASH 6'W
(GLUED IN CARPET)

FOAM

- 1839166 FOAM, P/C 340DA-07 FWD STRM BLSTR ST
1839165 FOAM, P/C 340DA-07 FWD STRM CUSH W/VSCO ELSTC

HEADLINER/HULL LINER/WASHABLE SURFACE

- 1883982 VINYL, RVIEW ALABASTER N/W 1/2"FB
1883771 VINYL, RVIEW ALABASTER N/W 1/4"FB
1888410 WELT, RVIEW ALABASTER 5/32"
1888411 WELT, RVIEW ALABASTER 8/32"

SHEETS

- 1839311 SHEET, 340SDA-07 FWDSTRM FITTED W/PLWCS
(NEUTRAL COLOR FITTED SHEETS)

STORAGE & BUNK TOPS

- 1883894 FABRIC, GEOMETRIC CRM (NDLPNCH) W/BACK

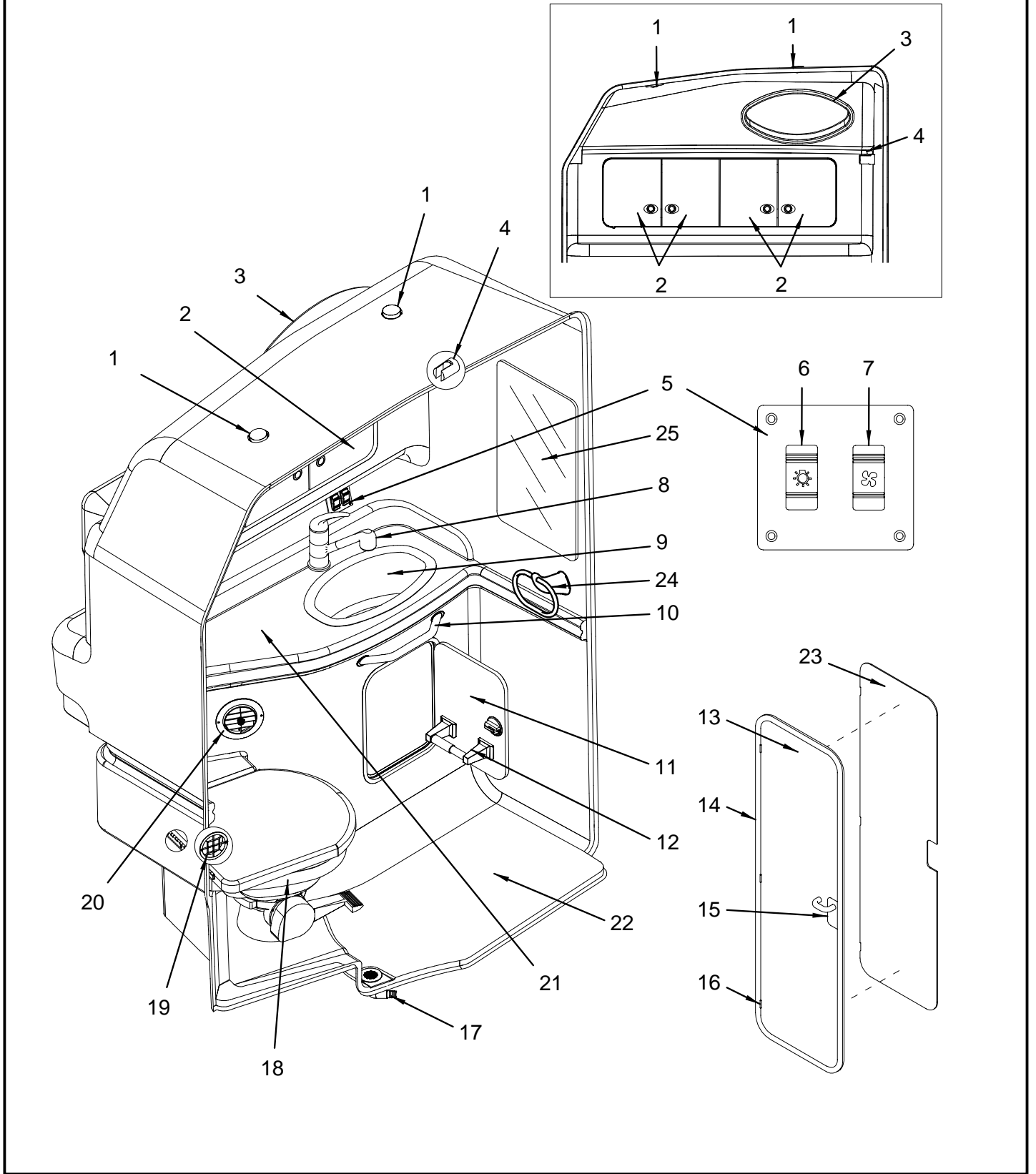
UPHOLSTERY

- 1890127 FABRIC, PALM/SISAL-6"DIA QLT 10 OZ/AC/B
(INTERIOR 1B)(BACK BOLSTERS & SEAT CUSHIONS)
1883625 FABRIC, PALM/SISAL FLAT
(INTERIOR 1B)
1905965 FABRIC, HARVARD/TAUPE 6"DIA QLT 10OZ/AC/B
(INTERIOR 3B)(BACK BOLSTERS & SEAT CUSHIONS)
1907484 FABRIC, HARVARD/TAUPE FLAT
(INTERIOR 3B)
1890126 FABRIC, COLLINS/MOCHA-6"DIA QLT 10 OZ/AC/B
(INTERIOR 1A)(BACK BOLSTERS & SEAT CUSHIONS)
1883621 FABRIC, COLLINS/MOCHA FLAT
(INTERIOR 1A)
1890128 FABRIC, SANTIAGO/BONE-6"DIA QLT 10 OZ/AC/B
(INTERIOR 3A)(BACK BOLSTERS & SEAT CUSHIONS)
1883657 FABRIC, SANTIAGO/BONE FLAT
(INTERIOR 3A)

UPHOLSTERY MATERIALS

- 180182 ZIPPER, #5 DELRIN CONTINUOUS WHT
(FWD STATEROOM/SALON)

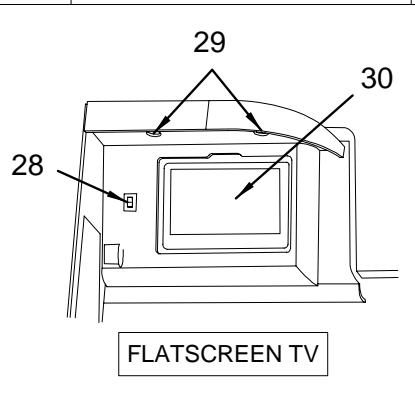
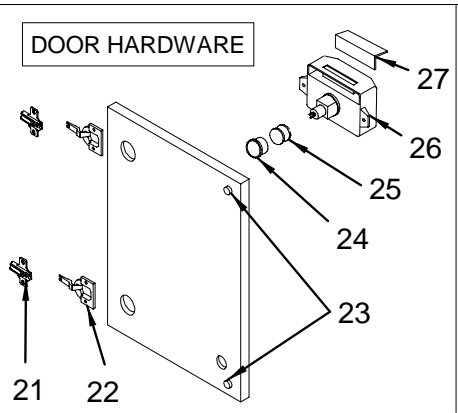
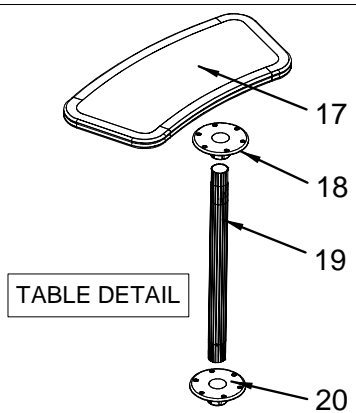
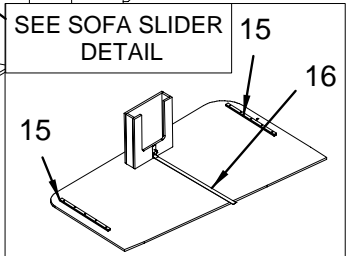
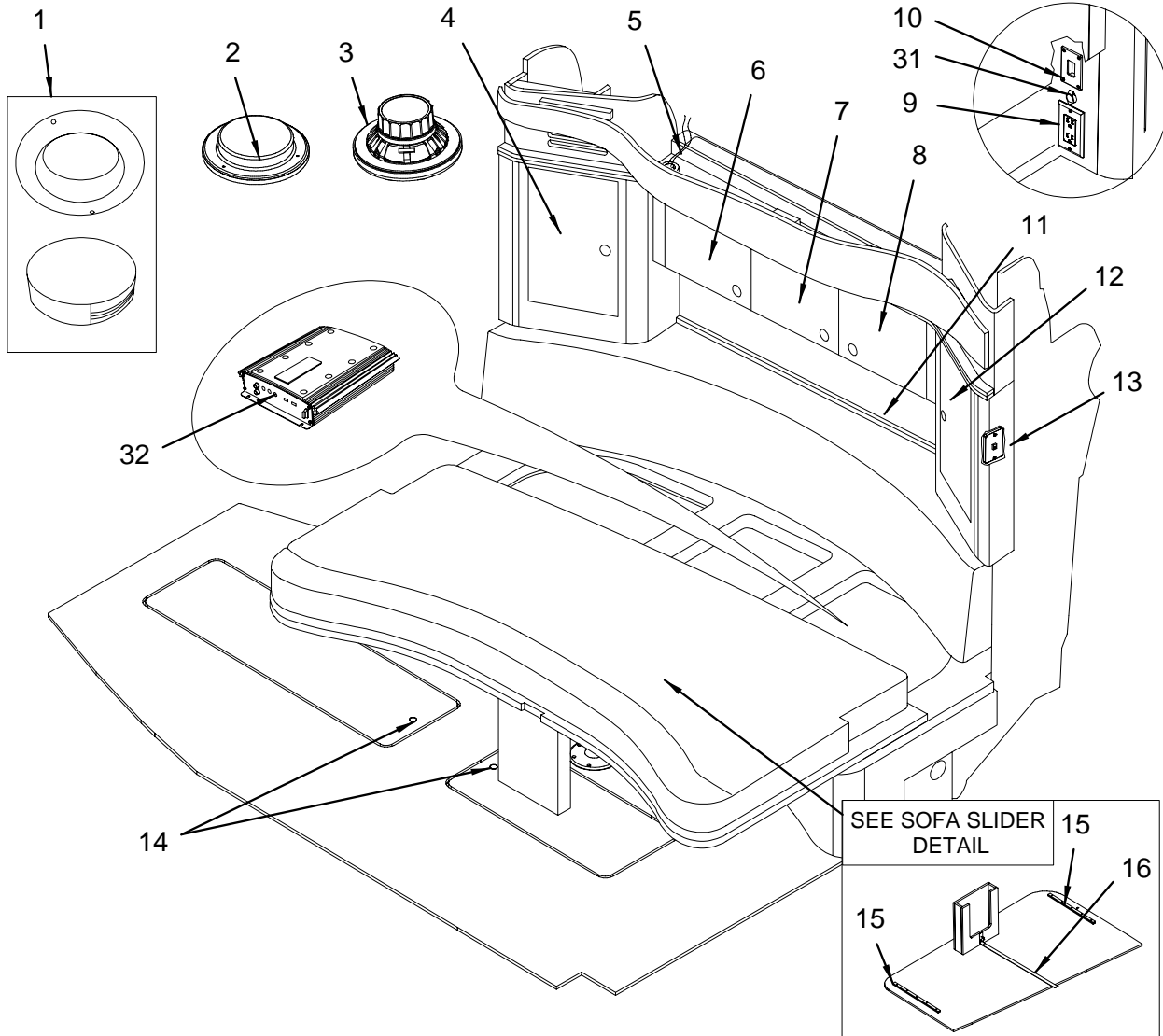
PORT HEAD



PORT HEAD

1	766055	LIGHT, RECESSED W/CLEAR LENS CHR 10W HALOGEN	21	1888997	TOP, CORIAN 320/340SDA-08 HEAD VAN AURORA
	833269	BULB, REPL FOR #0784975/0830307 12V/10W HALOG (PART OF 766055)	22	1831409	TEAK, P/C 340SDA-06 HEAD FLOOR (HEAD UPGRADE, CORIAN, SS SINK, FLEX TEAK)
2	1774257	DOOR, PVC 320/340SDA-05 PT HEAD MIR 4PC SET	23	1846404	MIRROR, PLEX 320/340SDA-07 HEAD DOOR CLR (MIRROR ON BACK OF DOOR)
	173922	HINGE, CONCEALED INT BLUM	24	1743969	HOLDER, TOWEL RING PLAT/CHR VILLETA SERIES
	173948	HINGE, CONCEALED MT PLATE ONLY BLUM	25	1574862	MIRROR, 1/8"X 14"X 24"CLR W/1.5"RAD/POL
	137349	ACCESS PLATE, PLAS CVR 5" WHT		195032	HINGE, AL CONT 1.25" X 72" BRITE (ORDER BY LENGTH)
	622050	BUMPER, CLEAR THIN 3/8"	ADHESIVES		
	1881816	RECEPTACLE, GFCI DPLX WHT W/IND/SMRTLCK 15A		1831638	ADHESIVE, BOSTIK 940FSA WHT 10 OZ SAUSAGE PK (HEAD UPGRADE, CORIAN, SS SINK, FLEX TEAK)
3	1057991	TRIM RING, V/F PORTLIGHT INNER CUSTOM 98		1785063	ADHESIVE, BOSTIK 940A WHITE SAUSAGE TUBE 100Z (HEAD UPGRADE, CORIAN, SS SINK, FLEX TEAK)
	1914572	CURTAIN, 340SDA-08 PRTLIGHT SNP-ON (3) (PART OF 1888936)	BRACKETS		
4	1740886	MOUNT, HDPE SHOWER WALL (MNT ONLY)		835850	BRACKET, ALUM 1"X 1"X 1" 3/16"HOLES
5	1581917	PANEL, HEAD LIGHT/PWR VENT SW		952929	BRACKET, ALUM 1"X 1/8"X 3" 3/16"HOLES
6	1541655	ACTUATOR, ROCK SWITCH-LIGHTS BLK (PART OF 1581917)		835843	BRACKET, ALUM 1"X 1/2"X 3" 3/16"HOLES 2SIDES
	797761	BODY, ROCK SW SPST BLK 12V INCAND NON-LIT (PART OF 1581917)		835835	BRACKET, ALUM 1"X 1"X 3" 3/16"HOLES 2SIDES
7	1647577	ACTUATOR, ROCK SWITCH-POWER VENT BLK (PART OF 1581917)		836023	BRACKET, ALUM 1.5"X 1.5"X 1.5" 3/16"HOLES
	1609312	BODY, ROCK SW SPDT BLK 12V INCAND NON-LIT (PART OF 1581917)		836007	BRACKET, ALUM 1.5"X 1.5"X 3" 3/16"HOLES
8	1895059	FAUCET, HEAD SNGL LVR 6.2"RISE BR/NI PULLOUT (HULL# 1209 -> UP)		836122	BRACKET, PVC 1.5"X 1.5"X 3" 3/16"HOLES
	1908583	VALVE, HEAD/GLY FAUCET F/97800 & 97810 (HULL# 1209 -> UP)(PART OF 1895059)		836106	BRACKET, PVC 1.5"X 1.5"X 8" 1/4"HOLES
	1908584	SHOWER ASSY, SS SPRAYER HOSE F/97800 & 97810 (HULL# 1209 -> UP)(PART OF 1895059)	LABELS		
	1908585	FAUCET, HDWR MNTG KIT F/1895055 & 1895059 (HULL# 1209 -> UP)(PART OF 1895059)		1747493	LABEL, LEAVING WINDOW OPEN EXHAUST FUMES
	1908586	FAUCET, SS HOT/COLD RISER (HULL# 1209 -> UP)(PART OF 1895059)	NOT SHOWN		
	1908587	FAUCET, LEVER HNDL ALAN SCREW (HULL# 1209 -> UP)(PART OF 1895059)		948968	A/C COMP, HOSE RING 3" PLAS ROUND
	1908588	FAUCET, RED/BLUE DOT (HULL# 1209 -> UP)(PART OF 1895059)		279166	TEE, PVC 2"F SLIP ALL THE WAY
	1908589	FAUCET, LEVER MIXER HNDL (HULL# 1209 -> UP)(PART OF 1895059)		334672	BUMPER, RECESSED WHT ROUND
	1908590	FAUCET, HOSE/SPRAY HEAD GASKET (HULL# 1209 -> UP)(PART OF 1895059)	SHOWER CURTAIN		
	1908591	FAUCET, HOSE WEIGHT F/97800/97810/98656 (HULL# 1209 -> UP)(PART OF 1895059)		980896	CURTAIN, SHOWER ECRU 67.5"X 27"
	1908592	FAUCET, SPRAY HEAD ONLY F/97800 (HULL# 1209 -> UP)(PART OF 1895059)		1911442	340SDA 08, STRAP, SHWR CURT
	1908593	FAUCET, WALL SPRAYER HOLDER (HULL# 1209 -> UP)(PART OF 1895059)		132183	TRACK, ALUM CURT TRK 0.275"X 0.688" TAB TYPE
	1772520	FAUCET/SHOWER, BRUSHED NCKL/CHR PULLOUT (HULL# 1201 -> 1208)		157461	UPH PARTS, END STOP W/LOOP
	1853913	FAUCET/SHOWER, SPRAYER ONLY BRSHD NCKL/CHR (HULL# 1201 -> 1208)(PART OF 1772520)			
	1853914	FAUCET/SHOWER, HOSE WASHER ONLY (HULL# 1201 -> 1208)(PART OF 1772520)			
	1853915	FAUCET/SHOWER, HANGER ONLY (HULL# 1201 -> 1208)(PART OF 1772520)			
	1853916	FAUCET/SHOWER, BRASS HOT/COLD VALVE ONLY (HULL# 1201 -> 1208)(PART OF 1772520)			
	1853917	FAUCET/SHOWER, HDWR KIT W/WTS (HULL# 1201 -> 1208)(PART OF 1772520)			
9	1690965	SINK, V/F HEAD ANW 340DA-03			
	146753	SINK, SS GLY/HEAD OVAL 10.5"X 13.25"SATIN			
	146175	DRAIN ASSY, 1.25" DRAIN W/PLUG PLASTIC			
	1256593	DRAIN ASSY, STOPPER 1.25" CHR/PLT (PART OF 146175)			
10	1878161	RAIL, GRAB 12"STREAMLINE W/FLANGS BRSHD 316L			
11	1783293	DOOR, STRG W/11.5"X 14 7/8"ANW FRM W/SS STHCO			
	1781436	PLATE, FLAT BRKT 2"SHORT SCREW W/HDWR PKG (PART OF 1783293)			
	1781434	LATCH, FLUSH MNT N/LOCKING SLAM SS (PART OF 1783293)			
12	1155241	HOLDER, TOILET PAPER WALL MNT WHT ROLLER			
13	1910853	340SDA 08, DOOR, HEAD CMPLT			
14	1577618	FRAME, ALUM 64"X 19 5/8" ARC WHT			
15	1776672	LATCH, OFFSHR FLSH LH-OUT PRVKNB SAT/NCK 5/8"			
	847327	PLATE, STRIKER MOBELLA 13/16"WIDE			
16	132324	HINGE, BUTT CHROME/ZINC 2"			
17	196782	DRAIN ASSY, SHOWER 1.5"			
	344762	DRAIN ASSY, SHOWER SLIP NUT 1.5" (PART OF 196782)			
18	1846853	HEAD, VACU-FLUSH BONE 5006 BTM DCHG LOW PRFLE			
	1872707	HEAD, SEAT ASSY VAC-FLUSH BONE 5048 BACK DIS (PART OF 1846853)			
	1802215	COVER, MARS TOILET LID CMPLT PRL 06			
	140285	HINGE, SS CONT 2"X 72" (.225 CURL WIDTH)			
19	1052059	VENT, LOUVERED 3 5/8"X 3 5/8" BLK			
20	1322940	A/C COMP, GRILL 3" BLK W/DBL LVR			

SALON



SALON

- 1 1606250 SKYLIGHT, PLEX DECK 14"GRY W/2.25"BDR
1910854 340SDA 08,FILR,SKYLIGHT SLN
1911434 340SDA 08,TRIM RING,SKYLIGHT SLN
- 2 1805075 LIGHT, RIGG 6.25"RECESSED 12V/20W SAT NCKL
1425024 BULB, REPL FOR #1197466 12V/20W HALOGEN
(PART OF 1805075)
- 3 1690557 SPEAKER, COAXIAL 6.5" N/CVR
1690558 GRILL, SPEAKER 6.5" ACOM WHT
1877940 SPEAKER, JL 6.5"COAXIAL 150W/4OHMS
(GRILL NOT SOLD SEPARATELY AT THIS TIME)(PREMIUM
COCKPIT SOUND SYSTEM - 12 VOLT)
- 1849195 SPEAKER, 10" SUBWOOFER MARINE WHT
1892022 GRILL, 10" SUBWOOFER MARINE WHT W/BLK LOGO
(PART OF 1849195)
- 1185081 BRKR, SURF MNT THERMAL 50AMP MANUAL RESET
(PREMIUM CABIN SOUND SYSTEM - 12 VOLT)
- 1450915 LABEL, 7/16"X 7/8" CABIN STEREO
(PREMIUM CABIN SOUND SYSTEM - 12 VOLT)
- 1762168 HARNESS, 340SDA-04 SLN STEREO
(PREMIUM CABIN SOUND SYSTEM - 12 VOLT)
- 1764402 LABEL, 7/16"X 7/8" CKPT STEREO CHG ADH/SUBSTR
(PREMIUM CABIN SOUND SYSTEM - 12 VOLT)
- 4 1910860 340SDA 08,DOOR,SLN FWD
- 5 766055 LIGHT, RECESSED W/CLEAR LENS CHR 10W HALOGEN
833269 BULB, REPL FOR #0784975/0830307 12V/10W HALOG
(PART OF 766055)
- 6 1910857 340SDA 08,DOOR,SLN UPR FWD
- 7 1910858 340SDA 08,DOOR,SLN UPR CTR
- 8 1910859 340SDA 08,DOOR,SLN UPR AFT
- 9 1787506 RECEPTACLE, DUPLEX BLACK 15A
1787521 COVER PLATE, SGL DUPLEX RECEPT BLK LVT
627737 BOX, RECEPTACLE/SWITCH PVC 1-GANG DEEP
- 10 1688434 PANEL, 340DA-03 SLN/FWD STRM LIGHT SW BLK
1541655 ACTUATOR, ROCK SWITCH-LIGHTS BLK
(PART OF 1688434)
- 797761 BODY, ROCK SW SPST BLK 12V INCAND NON-LIT
(PART OF 1688434)
- 11 1910856 340SDA 08,MIR ASSY,SLN
- 1690981 MIRROR, 1/8"X 12"N/P X 51.25"POL1EDGE
- 12 1910855 340SDA 08,DOOR,SLN AFT
- 13 776641 RECEPTACLE, TELEPHONE WHT W/CVR PLATE
- 136093 CORD SET, PHONE 50FT
- 14 140111 LIFT HANDLE, HATCH LIFT BOLT W/RING 3"
- 15 1211374 TRACK, ALUM SLIDER 26"
- 1625946 SLIDER, LDPVC 360DA SOFA 2-PC SET
- 16 894030 SLIDE, HDPE SALON SOFA 1"X 16"
156893 WEBBING, POLYPROPYLENE 1" BLACK
- 17 1889901 TABLE, WOOD 17.5"X 39.5"SLN MED CHRY 2TONE
- 18 1125293 BASE, TABLE SURF MNT ALUM TAPERED CASTING
(PART OF 1818816)
- 19 1657659 POST, TABLE LEG 2 7/8"X 30" ANOD FLUTED
- 20 1125285 BASE, TABLE FLUSH MNT ALUM TPR CASTING
- 21 525667 HINGE, CONCEALED FULL OVERLAY MT PLATE ONLY
- 22 839399 HINGE, SELF CLOSING BLUM SCREW-ON
- 23 663708 BUMPER, CLEAR .020" THICK
- 24 1776837 PULL, ROSETTE SAT/NCKL RND 16MM (5/8")
- 25 1742136 PULL, PUSH-BUTTON KNOB SAT/NCKL
- 26 772418 CATCH, RIM-LOCK WHT
- 27 761445 CATCH, RIM-LOCK STRIKE PLATE
- 28 1525997 PANEL, 280DA-01 SGL LIGHT BEIGE W/BLK ROCKERS
1541655 ACTUATOR, ROCK SWITCH-LIGHTS BLK
(PART OF 1525997)
- 29 766055 LIGHT, RECESSED W/CLEAR LENS CHR 10W HALOGEN
833269 BULB, REPL FOR #0784975/0830307 12V/10W HALOG
(PART OF 766055)
- 30 1913590 TELEVISION, 23" LG LCD W/HD MONITOR 23LS7D
(HULL# 1282 -> UP)
- 1938164 REMOTE, TV 23" LG LCD W/HD MONITOR 23LS7D
(HULL# 1282 -> UP)(PART OF 1913590)
- 1852184 TELEVISION, 23" LG LCD W/HD MONITOR 23LC1RB
(HULL# 1201 -> 1281)
- 1874291 REMOTE, TV 23"LG LCD W/HD MONITOR 23LC1RB
(HULL# 1201 -> 1281)(PART OF 1852184)
- 1805244 TELEVISION, 20" LG LCD PAL 220V
- 1851938 REMOTE, TV 20" LG LCD PAL 220V
(PART OF 1805244)
- 1839306 AMPLIFIER, VIDEO/AUDIO
- 1756959 EXTENSION, CABLE A/V 25' RCA W/MALE CONN
- 1790252 EXTENSION, CABLE A/V 50' RCA W/MALE CONN
- 135228 CABLE, MARINE STRANDED 14/3 BLK/GRN/WHT
- 31 1850253 VIDEO EQUIPMENT, AUXILIARY INPUT MP3 MA-AUX2
- 32 1854217 STEREO, AMP JL 150W 4-CHNL M4300
(PREMIUM COCKPIT SOUND SYSTEM - 12 VOLT)

- 32 1854218 STEREO, AMP JL 450W6/5/4/3 CH POWER AMP WHT
(PREMIUM CABIN SOUND SYSTEM - 12 VOLT)
(PREMIUM COCKPIT SOUND SYSTEM - 12 VOLT)

BRACKETS

- 835850 BRACKET, ALUM 1"X 1"X 1" 3/16"HOLES
- 952929 BRACKET, ALUM 1"X 1/8"X 3" 3/16"HOLES
- 835843 BRACKET, ALUM 1"X 1/2"X 3" 3/16"HOLES 2SIDES
- 835835 BRACKET, ALUM 1"X 1"X 3" 3/16"HOLES 2SIDES
- 836023 BRACKET, ALUM 1.5"X 1.5"X 1.5" 3/16"HOLES
- 836122 BRACKET, PVC 1.5"X 1.5"X 3" 3/16"HOLES
- 952895 BRACKET, ALUM 2"X 1/8"X 3" 2@3/16"HOLES WIDE

HARNESSES

- 1806296 HARNESS, 340SDA-06 CABIN CEILING 120V

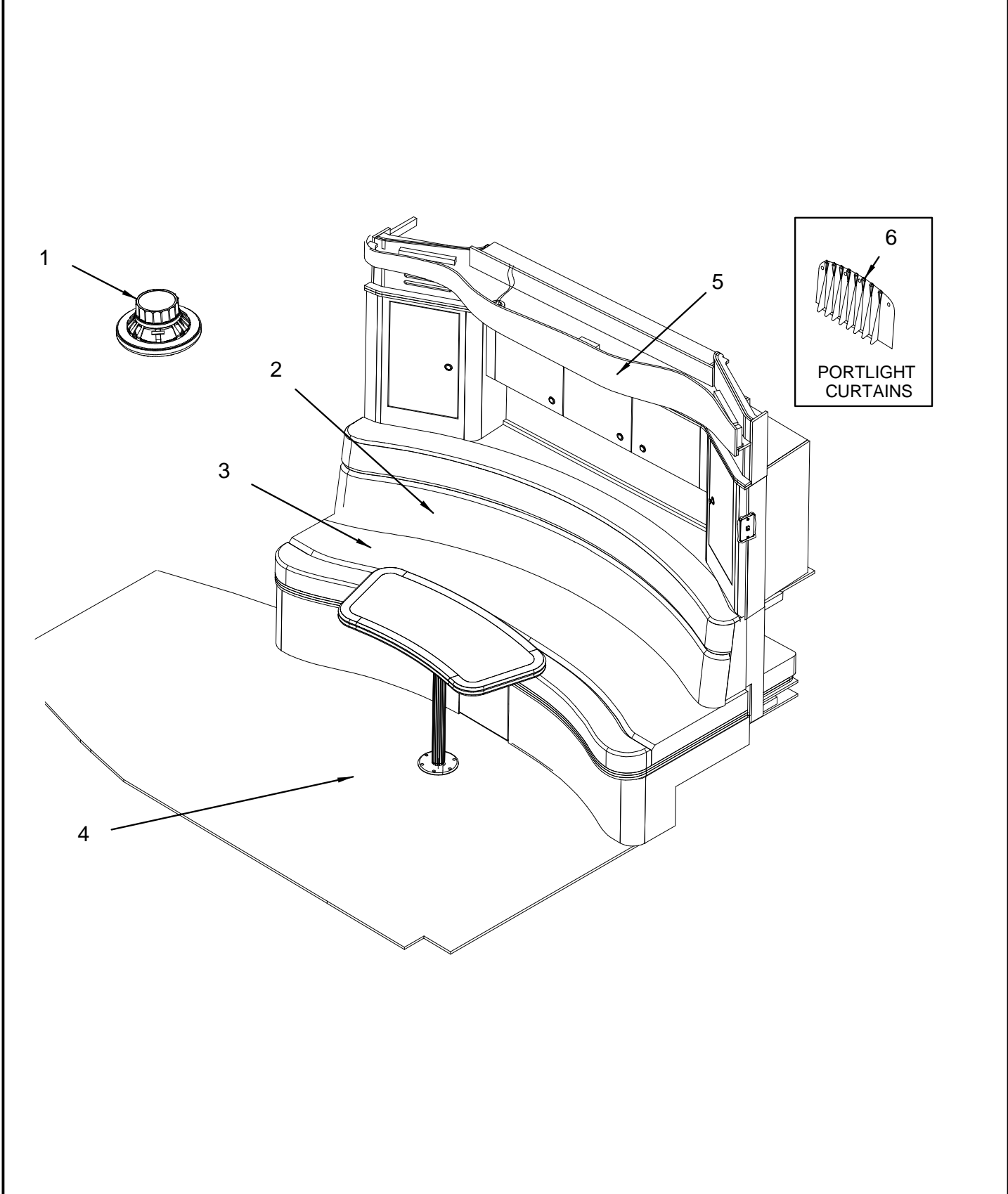
LABELS

- 1745159 LABEL, CAUTION BUSS ELECTRONICS (LEXAN)
- 1743616 LABEL, UNPLUG SHORE POWER WARNING
- 1812911 LABEL, DANGER CO CABIN 06
- 1751883 LABEL, 7/16"X 7/8" SALON

NOT SHOWN

- 724930 SNAP CAP, PRESS-ON COVER #2 PHILLIP ALMOND
- 563205 TRIM, VINYL 5/8" POLISHED CHROME
- 129254 CHANNEL, ALUM SLIDE TRK 7/8"X 7/16"X 12"
- 653691 INSERT, DELRIN SLIDE W/MILLED SLOTS

SALON (UPHOLSTERY)



SALON (UPHOLSTERY)

- 1 1892967 FABRIC, SPKR CLOTH CREPE ALABASTR 3001 1/8"FB
- 2 1911391 340SDA 08,CUSH,SLN SOFA B/R
- 1911392 340SDA 08,CUSH SKN,SLN SOFA B/R
- 3 1911393 340SDA 08,CUSH,SLN SOFA SEAT
- 1911394 340SDA 08,CUSH SKN,SOFA SEAT SLN
- 4 1883614 CARPET, INT 44 OZ PRAIRIE TAN 6'W
(GLUED IN CARPET)
- 1883672 CARPET, INT 44 OZ ASH 6'W
(GLUED IN CARPET)
- 5 845594 VINYL, ULTRALTHR DOE 3601
(INTERIOR 3A, 3B)
(BOLSTER & INTERIOR SEATING)
- 1004050 VINYL, ULTRALTHR BUFF #3609
(INTERIOR 1B)
(BOLSTER & INTERIOR SEATING)
- 6 1914572 CURTAIN, 340SDA-08 PRTLIGHT SNP-ON (3)
(PART OF 1888936)
- 1338599 SNAP STUD, 5/8" FLANGED SLVR
- 132183 TRACK, ALUM CURT TRK 0.275"X 0.688" TAB TYPE
- 157461 UPH PARTS, END STOP W/LOOP

FOAM

- 1717334 FOAM, P/C 340DA-03 SALON CUSH SET

HEADLINER/HULL LINER/WASHABLE SURFACE

- 1883772 VINYL, RVIEW ALABASTER N/W FLAT
- 1883771 VINYL, RVIEW ALABASTER N/W 1/4"FB

UPHOLSTERY

- 1883625 FABRIC, PALM/SISAL FLAT
(INTERIOR 1B)
- 1890127 FABRIC, PALM/SISAL-6"DIA QLT 10 OZ/AC/B
(INTERIOR 1B)
- 1907484 FABRIC, HARVARD/TAUPE FLAT
(INTERIOR 3B)
- 1883621 FABRIC, COLLINS/MOCHA FLAT
(INTERIOR 1A)
- 1883657 FABRIC, SANTIAGO/BONE FLAT
(INTERIOR 3A)

UPHOLSTERY MATERIALS

- 291138 FABRIC, DYMETROL MATERIAL
- 634931 FABRIC, PULL STRIP 6"X 250YD
- 103309 MESH, WHITE 60"
- 180406 SLIDE, DELRIN #5 WHT 1-S LOCK
- 602169 TAB, PULL TAB MATERIAL 1.5"X 250YDS
- 180182 ZIPPER, #5 DELRIN CONTINUOUS WHT

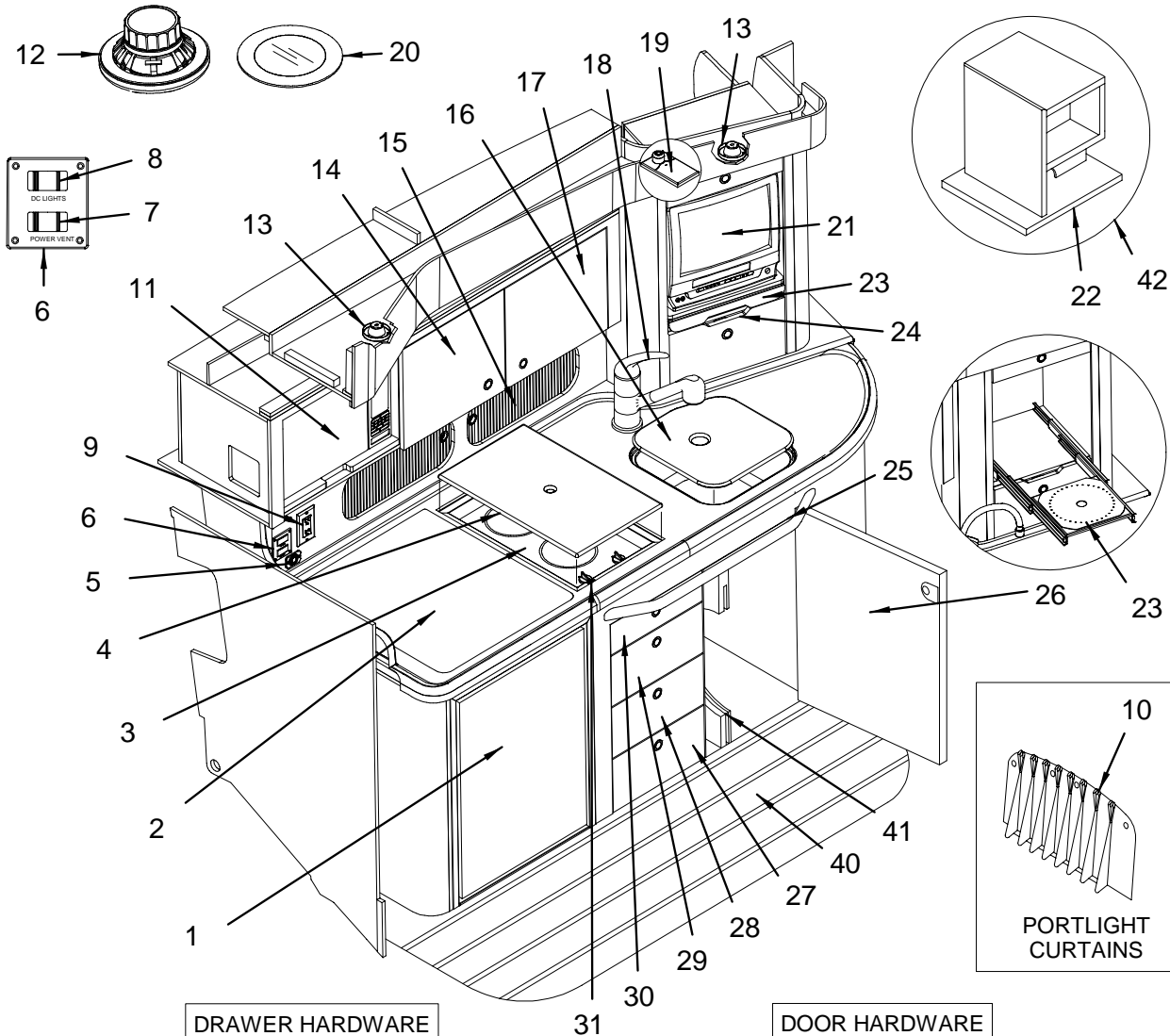
VINYLS

- 845594 VINYL, ULTRALTHR DOE 3601
(INTERIOR 3A, 3B)
(BOLSTER & INTERIOR SEATING)
- 1004050 VINYL, ULTRALTHR BUFF #3609
(INTERIOR 1B)
(BOLSTER & INTERIOR SEATING)

WELT

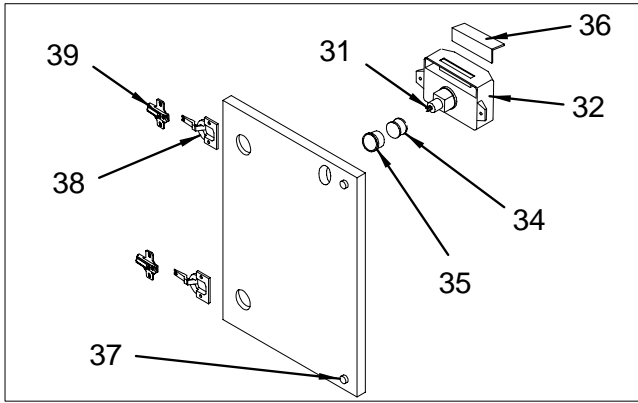
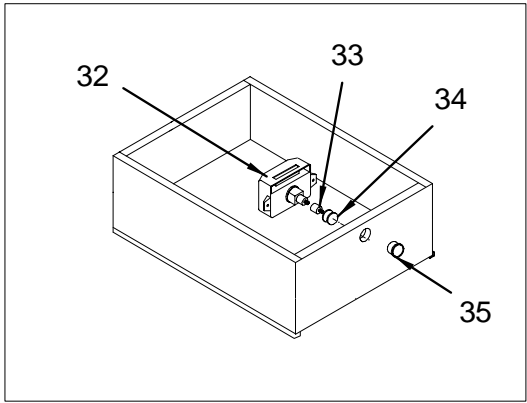
- 1888411 WELT, RVIEW ALABASTER 8/32"
- 1890130 WELT, RVIEW ALABASTER 8/32" GLUED
- 1888305 WELT, ALLANTE II SHELL 5/32"
- 1888306 WELT, ALLANTE II OYSTER WHT 5/32"

GALLEY



DRAWER HARDWARE

DOOR HARDWARE



GALLEY

1	1691311	REFRIGERATOR, 3.9CF 12/24V 110/220V 50/60HZ	18	1908587	FAUCET, LEVER HNDL ALAN SCREW (HULL# 1209 -> UP)(PART OF 1895055)	
	1807532	REF/FREEZER, 4.0CF/1.7CF COMBO LATCH (PART OF 1691311)		1908588	FAUCET, RED/BLUE DOT (HULL# 1209 -> UP)(PART OF 1895055)	
	1809100	REFRIGERATOR, 3.9CF 12/24V 110/220V DOOR (PART OF 1691311)		1908589	FAUCET, LEVER MIXER HNDL (HULL# 1209 -> UP)(PART OF 1895055)	
	1787521	COVER PLATE, SGL DUPLEX RECEPT BLK LVT		1908590	FAUCET, HOSE/SPRAY HEAD GASKET (HULL# 1209 -> UP)(PART OF 1895055)	
2	1691227	FBRGLS PART, 340DA-03 GLY TOP AURORA		1908591	FAUCET, HOSE WEIGHT F/97800/97810/98656 (HULL# 1209 -> UP)(PART OF 1895055)	
	1780215	NOSING, ALUM 5/8"X 12' T-1 ROUNDED BRUSHED		1908594	FAUCET, SPRAY HEAD ONLY F/97810 (HULL# 1209 -> UP)(PART OF 1895055)	
3	1182997	STOVE, ELEC 2-BURNER CARIBBEAN COOKTOP 110		1772521	FAUCET, GALLEY 9" RISE BRUSHED NCKL/CHR (HULL# 1201 -> 1208)	
	1183003	STOVE, ELEC 2-BURNER CARIBBEAN COOKTOP 220		19	1180041	ANTENNA, TV AMP W/SHIP/SHORE A/B SW 12/24VDC (ADJUST THE SIGNAL STRENGTH FOR GLOW MAX ANTENNA)
	1194539	SWITCH, PUSH-BUTTON STOVE W/48"20GA WIRE 12OZ		20	1606250	SKYLIGHT, PLEX DECK 14"GRY W/2.25"BDR
	1817495	RELAY, 120VAC 30 AMP SPDT		1910854	340SDA 08.FILR,SKYLIGHT SLN	
	583906	RELAY, 240VAC 50/60 HZ 20 AMP DPDT		21	1852692	TELEVISION, 15"LG LCD HDTV BLK W/BTM SPKR REMOTE, TV 15"LG LCD HDTV BLK W/BTM SPKR (PART OF 1852692)
4	1609700	COVER, CORIAN 360DA-02 STOVE AURORA		1872088	TELEVISION, 15" LG LCD 220V 15C1RB (PAL T.V. TUNER - USED WHEN APPLICABLE)	
5	1287283	RECEPTACLE, FEMALE 12V LONG THRD BLK		1888310	REMOTE, TV 15" LG LCD 220V 15C1RB (PART OF 1872088)	
	1259977	PLATE, FEMALE 12V RECEPTACLE MNT		1817493	DVD, KEC 12V DVD3 DIN	
	1744738	LABEL, RECEPTACLE 12V-15A MAX (LEXAN)		1848849	REMOTE, DVD KEC 12V DVD2M/3M ZONEFREE (PART OF 1817493)	
6	1806288	PANEL, 300/320/340SDA-06 GLY LIGHT/VNT SW BLK		1819303	DVD, KEC 12V DVD3 ZONEFREE (ZONE FREE DVD - USED WHEN APPLICABLE)	
	1809656	PANEL, BLANK:300/320/340SDA-06GLY LT/VNT SWBLK (PART OF 1806288)		1807566	REMOTE, DVD KEC 12V DVD2M ZONEFREE (PART OF 1819303)	
7	1609312	BODY, ROCK SW SPDT BLK 12V INCAND NON-LIT (PART OF 1806288) (POWER VENT)		1887973	DVD, ALPINE AM/FM CD/DVD ZONEFREE (PREMIUM CABIN SOUND/ZONE FREE) (ZONE FREE/PREMIUM CABIN SOUND SYSTEM)	
	1609858	ACTUATOR, ROCK SWITCH-LIGHTS BLK 90DEG ICON (PART OF 1806288) (POWER VENT)		1935848	REMOTE, DVD ALPINE AM/FM CD/DVD ZONEFREE (PART OF 1887973)	
8	797761	BODY, ROCK SW SPST BLK 12V INCAND NON-LIT (PART OF 1806288) (DC LIGHTS)		1876056	DVD, ALPINE AM/FM CD/DVD DVA-9860 (PREMIUM CABIN SOUND SYSTEM - 12 VOLT)	
	1609338	ACTUATOR, ROCK SWITCH-LIGHTS BLK (PART OF 1806288) (DC LIGHTS)		1885248	REMOTE, DVD ALPINE AM/FM CD/DVD DVA-9860 (PART OF 1876056)	
9	1787506	RECEPTACLE, DUPLEX BLACK 15A		1755388	BRACKET, TV (LCD) WALL MOUNT OMNI	
	1787521	COVER PLATE, SGL DUPLEX RECEPT BLK LVT		1813842	MOUNTING KIT, SLEEVE FOR DVD2/3	
	627737	BOX, RECEPTACLE/SWITCH PVC 1-GANG DEEP		1750879	CABLE, RCA AUDIO "Y" (1-FM/ 2-M) W/NOISE SUPP	
10	1914572	CURTAIN, 340SDA-08 PRTLIGHT SNP-ON (3) (PART OF 1888936)		1750878	CABLE, RCA AUDIO 20' W/EFX-2 CONN W/NOISE SUP	
	1338599	SNAP STUD, 5/8"FLANGED SLVR		136085	CORD SET, TV CABLE 50FT	
11	1784446	MICROWAVE, 1.2CF W/COFFEE MAKER		1779735	CABLE, COAXIAL RG6 1000' WHT	
	1850334	MICROWAVE, RING W/WHEELS (PART OF 1784446)		1759176	EXTENSION, CABLE A/V 6' RCA W/MALE CONN	
	1850337	MICROWAVE, GLASS PLATE (PART OF 1784446)		1761064	FILTER, VIDEO INTERFERENCE	
	1850338	MICROWAVE, COFFEE POT (PART OF 1784446)		1744739	LABEL, SECURE TELEVISION (LEXAN)	
	1850339	MICROWAVE, FILTER BASKET (PART OF 1784446)		1758298	ISOLATOR, 2-CHANNEL GROUND LOOP (RCA)	
	1793050	MICROWAVE, SYLVANIA 0.5CF BLK 220V		808766	PLATE, PLEX 330DA PULLOUT TV BASE FACE W/LTCH	
12	1690557	SPEAKER, COAXIAL 6.5" N/CVR		22	1911435	340SDA 08.TV STRG/MNT BRD (MOUNT ONLY)
	1690558	GRILL, SPEAKER 6.5" ACOM WHT		23	294926	BASE, TV PULL-OUT SWIVEL ONLY
	1877940	SPEAKER, JL 6.5"COAXIAL 150W/40HMS (GRILL NOT SOLD SEPARATELY AT THIS TIME)(PREMIUM COCKPIT SOUND SYSTEM - 12 VOLT)		24	1911398	340SDA 08.DRWR,TV CAB GLY
	1849195	SPEAKER, 10" SUBWOOFER MARINE WHT		1727147	DRAWER SLIDE, ROLLER METAL 12" ALFIT 1702	
	1892022	GRILL, 10" SUBWOOFER MARINE WHT W/BLK LOGO (PART OF 1849195)		25	1878799	RAIL, GRAB GLY BRSHD SS 316L
13	766055	LIGHT, RECESSED W/CLEAR LENS CHR 10W HALOGEN		26	1911399	340SDA 08.DOOR,GLY LWR
	833269	BULB, REPL FOR #0784975/0830307 12V/10W HALOG (PART OF 766055)		839399	HINGE, SELF CLOSING BLUM SCREW-ON	
14	1911395	340SDA 08.DOOR,GLY UPR AFT		431098	BASKET, TRASH 11 3/8"X 8.25"X 12 1/8" BEIGE	
	814350	HINGE, CONCEALED FULL OVERLAY 100DEG W/DOWEL		27	1911400	340SDA 08.DRWR,GLY LWR BTM
	839399	HINGE, SELF CLOSING BLUM SCREW-ON		1727149	DRAWER SLIDE, ROLLER METAL 16" ALFIT 1702	
15	1911396	340SDA 08.DOOR,GLY TMBR		28	1911402	340SDA 08.DRWR,GLY MID LWR
	1776837	PULL, ROSETTE SAT/NCKL RND 16MM (5/8")		1727149	DRAWER SLIDE, ROLLER METAL 16" ALFIT 1702	
	122937	TRACK, TAMBOUR SLIDE RIGHT SPIRAL		29	1911403	340SDA 08.DRWR,GLY MID UPR
	122929	TRACK, TAMBOUR SLIDE LEFT SPIRAL		1727149	DRAWER SLIDE, ROLLER METAL 16" ALFIT 1702	
	601419	CHANNEL, VINYL-U ROUNDED 1/8" POL CHROME RIG		30	1911404	340SDA 08.DRWR,GLY UPR
16	1691296	COVER, CORIAN 340DA-03 SINK AURORA		777102	TRAY, "REV-A-SHELF" CUTLERY TRAY 12"	
	175687	DRAIN, SINK STRAINER 2.5" SS W/5/8"BARB		31	1194539	SWITCH, PUSH-BUTTON STOVE W/48"20GA WIRE 12OZ
	1839033	DRAIN, SINK STRAINER BASKET ONLY (PART OF 175687)		32	772418	CATCH, RIM-LOCK WHT
17	1911397	340SDA 08.DOOR,GLY UPR FWD		33	1123165	LATCH, 12MM BRASS SHAFT EXTENSION
	814350	HINGE, CONCEALED FULL OVERLAY 100DEG W/DOWEL		34	1742136	PULL, PUSH-BUTTON KNOB SAT/NCKL
	839399	HINGE, SELF CLOSING BLUM SCREW-ON		35	1776837	PULL, ROSETTE SAT/NCKL RND 16MM (5/8")
18	1895055	FAUCET, GLY SNGL LVR 7.2"RISE BR/NI PULLOUT (HULL# 1209 -> UP)		36	761445	CATCH, RIM-LOCK STRIKE PLATE
	1908583	VALVE, HEAD/GLY FAUCET F/97800 & 97810 (HULL# 1209 -> UP)(PART OF 1895055)		37	663708	BUMPER, CLEAR .020" THICK
	1908584	SHOWER ASSY, SS SPRAYER HOSE F/97800 & 97810 (HULL# 1209 -> UP)(PART OF 1895055)		38	839399	HINGE, SELF CLOSING BLUM SCREW-ON
	1908585	FAUCET, HDWR MNTG KIT F/1895055 & 1895059 (HULL# 1209 -> UP)(PART OF 1895055)		814350	HINGE, CONCEALED FULL OVERLAY 100DEG W/DOWEL	
	1908586	FAUCET, SS HOT/COLD RISER (HULL# 1209 -> UP)(PART OF 1895055)		39	525667	HINGE, CONCEALED FULL OVERLAY MT PLATE ONLY
				40	1782245	FLOORING, TEAK 2 3/8"W/1/4"BLK GROUT LINE 4X10 (TEAK GALLEY FLOORING AND STEPS (FLEXITEEK))
				1785063	ADHESIVE, BOSTIK 940A WHITE SAUSAGE TUBE 10OZ (TEAK (SIMULATED) GALLEY FLOORING AND STEPS)	
				41	1911447	340SDA 08,STRG RACK,STOVE TOP CVR
				42	1911443	340SDA 08,MNT BOX,TV PULL-OUT (BIRDHOUSE) (COMPLETE BIRDHOUSE)

ACCENT VINYL

1874814 VINYL, ALLANTE II ALABASTER EXP FLAT
(BLACK VINYL TRIM)

BRACKETS

835850 BRACKET, ALUM 1"X 1"X 1" 3/16"HOLES
952929 BRACKET, ALUM 1"X 1/8"X 3" 3/16"HOLES
835843 BRACKET, ALUM 1"X 1/2"X 3" 3/16"HOLES 2SIDES
836007 BRACKET, ALUM 1.5"X 1.5"X 3" 3/16"HOLES
835835 BRACKET, ALUM 1"X 1"X 3" 3/16"HOLES 2SIDES
836023 BRACKET, ALUM 1.5"X 1.5"X 1.5" 3/16"HOLES
836122 BRACKET, PVC 1.5"X 1.5"X 3" 3/16"HOLES

CARPET

1883614 CARPET, INT 44 OZ PRAIRIE TAN 6'W
(GLUED IN CARPET)
1883672 CARPET, INT 44 OZ ASH 6'W
(GLUED IN CARPET)

CURTAIN MATERIALS

132183 TRACK, ALUM CURT TRK 0.275"X 0.688" TAB TYPE
157461 UPH PARTS, END STOP W/LOOP

HEADLINER/HULL LINER/WASHABLE SURFACE

1883771 VINYL, RVIEW ALABASTER N/W 1/4"FB
1883982 VINYL, RVIEW ALABASTER N/W 1/2"FB

LABELS

1744745 LABEL, DISPOSAL OF GARBAGE
1744738 LABEL, RECEPTACLE 12V-15A MAX (LEXAN)
1744739 LABEL, SECURE TELEVISION (LEXAN)
1743616 LABEL, UNPLUG SHORE POWER WARNING

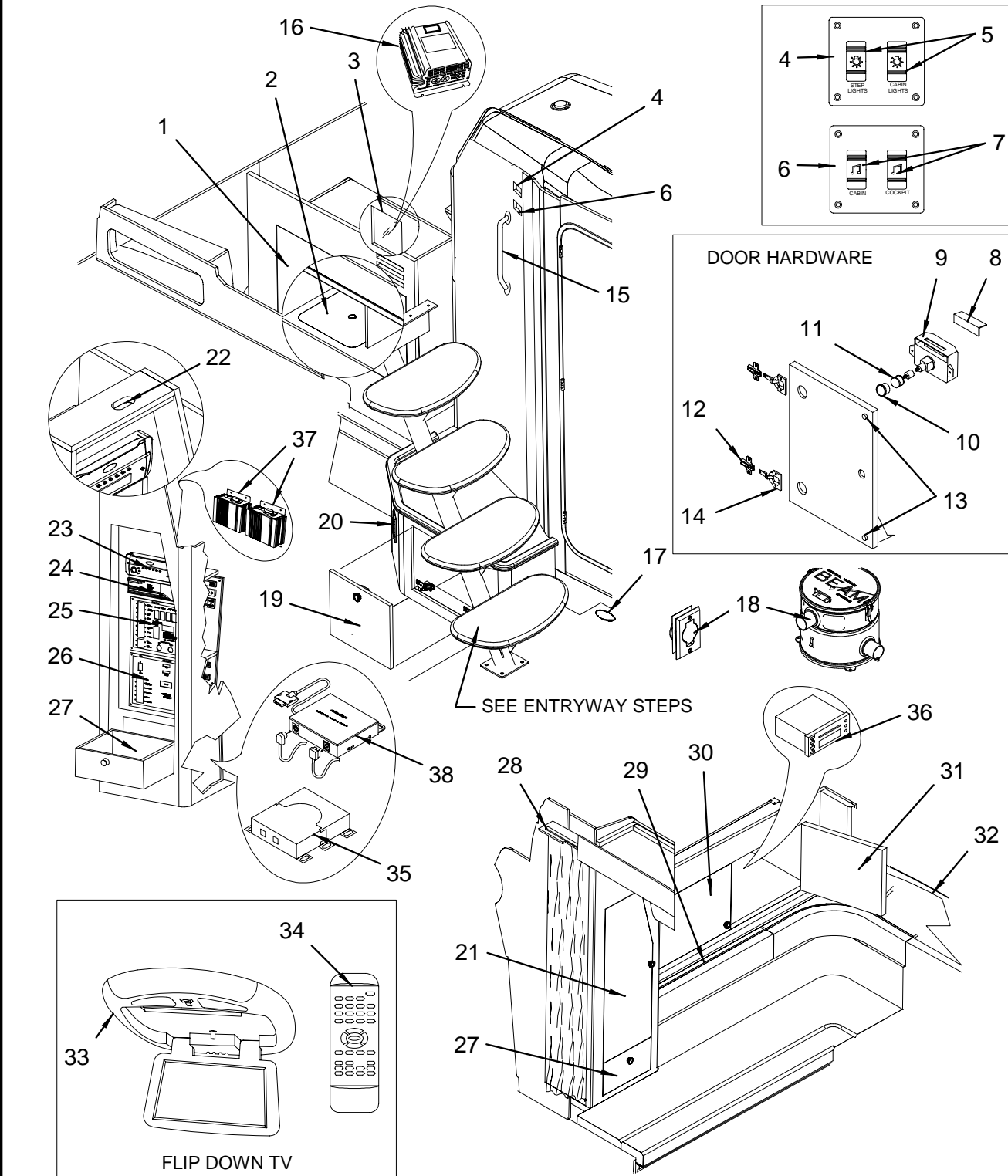
NOT SHOWN

948968 A/C COMP, HOSE RING 3" PLAS ROUND
129676 BLOWER, BILGE 3" FACE MNT #5412
601419 CHANNEL, VINYL-U ROUNDED 1/8" POL CHROME RIG
609883 CLEAT, PLAS 3/4"X 1"X 4" GREY
124024 HOSE, VENT/BLOWER 3" EX HVY DTY
724930 SNAP CAP, PRESS-ON COVER #2 PHILLIP ALMOND
1893700 BUMPER, CLEAR 3/8"W X 5/32"T
1787508 COVER PLATE, SGL DUPLEX RECEPT BRN LVT
1787507 RECEPTACLE, DUPLEX BRN 15A LVT
1805075 LIGHT, RIGG 6.25"RECESSED 12V/20W SAT NCKL
1425024 BULB, REPL FOR #1197466 12V/20W HALOGEN
(PART OF 1805075)

WELT

1888411 WELT, RVIEW ALABASTER 8/32"
1890130 WELT, RVIEW ALABASTER 8/32" GLUED

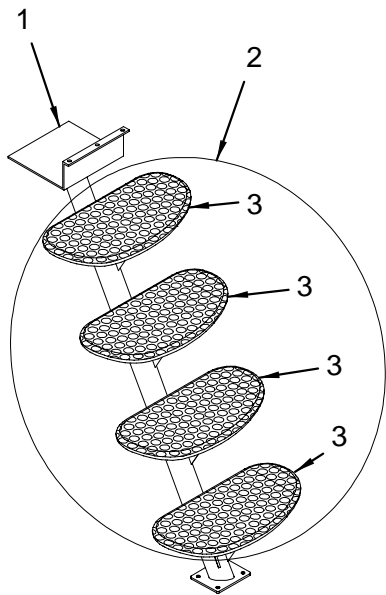
MID STATEROOM



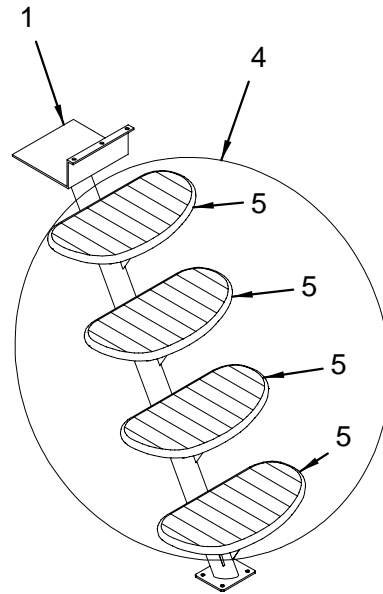
MID STATEROOM

1	1911432	340SDA 08,DOOR,PRT FWD STRG CAB MIDSTRM	25	1813649	PANEL, 340SDA-06 DC DIST GAS
	1911405	340SDA 08,DOOR,PRT AFT STRG CAB MIDSTRM		1848750	PANEL, BLANK:340SDA-06 DC DIST GAS (BLANK PANEL FOR 1813649)
2	1911406	340SDA 08,CVR,MIDSTRM VACCUM		1746952	PANEL, 340DA-04 DC DIST DSL
3	1691301	COVER, PLEX 340DA-03 BATT CNVTR WNDW		1848751	PANEL, BLANK:340DA-04 DC DIST DSL (BLANK PANEL FOR 1746952)
4	1550615	PANEL, ENTRANCE LIGHTS	26	1686701	PANEL, 340DA-03 MDP 120VAC
	1809655	PANEL, BLANK ENTR LIGHTS (PART OF 1550615)		1686700	PANEL, BLANK:340DA-03 MDP 120VAC (BLANK PANEL FOR 1686701)
5	1541655	ACTUATOR, ROCK SWITCH-LIGHTS BLK (PART OF 1550615)		1686704	PANEL, 340DA-03 MDP 220VAC/50HZ
	877225	SWITCH, ROCKER 'V' SPST ON-OFF (PART OF 1550615)		1686700	PANEL, BLANK:340DA-03 MDP 120VAC (BLANK PANEL FOR 1686704)
6	1630177	PANEL, 360DA-02 SPEAKER MUTE SW		1686702	PANEL, 340DA-03 MDP 120VAC W/OPT GEN
	1809654	PANEL, BLANK:360DA-02 SPEAKER MUTE SW (BLANK PANEL FOR 1630177)		1686703	PANEL, BLANK:340DA-03 MDP 220VAC/50HZ (BLANK PANEL FOR 1686702)
7	1739403	ACTUATOR, ROCK BLK W/O LENS ENG STEREO MUTE (PART OF 1630177)		1686705	PANEL, 340DA-03 MDP 220VAC/50HZ W/GEN
	797761	BODY, ROCK SW SPST BLK 12V INCAND NON-LIT (PART OF 1630177)		1686700	PANEL, BLANK:340DA-03 MDP 120VAC (BLANK PANEL FOR 1686705)
8	761445	CATCH, RIM-LOCK STRIKE PLATE	27	1911410	340SDA 08,DRWR,MIDSTRM CD HLDR
9	772418	CATCH, RIM-LOCK WHT		1727147	DRAWER SLIDE, ROLLER METAL 12" ALFIT 1702
10	1776837	PULL, ROSETTE SAT/NCKL RND 16MM (5/8")	28	132183	TRACK, ALUM CURT TRK 0.275"X 0.688" TAB TYPE
11	1742136	PULL, PUSH-BUTTON KNOB SAT/NCKL	29	195479	HINGE, AL CONT FORM/DBL 2.5"X 72" SATIN
	1123165	LATCH, 12MM BRASS SHAFT EXTENSION	30	1911411	340SDA 08,DOOR,MIDSTRM STB STRG FWD
12	525667	HINGE, CONCEALED FULL OVERLAY MT PLATE ONLY		663708	BUMPER, CLEAR .020" THICK
13	663708	BUMPER, CLEAR .020" THICK	31	1911412	340SDA 08,DOOR,MIDSTRM STB STRG AFT
14	839399	HINGE, SELF CLOSING BLUM SCREW-ON		663708	BUMPER, CLEAR .020" THICK
15	1878208	RAIL, GRAB 18" OVAL W/STUD BRSHD 316L	32	1911413	340SDA 08,MIR ASSY,MIDSTRM
16	1908176	CONVERTER, 40AMP 120VAC/12VDC PD2140 (LOCATED BEHIND WINDOW PANEL IN CABINET)		1740327	MIRROR, 1/8"X 11.75"N/P X 69.5"POL1EDGE
	1897206	CHARGER, 30AMP 120/220VAC 50/60HZ 1230I (HULL# 1308 -> UP) (LOCATED BEHIND WINDOW PANEL IN CABINET)	33	1849112	TELEVISION, 17" JENSEN LCD FLP-DWN W/DVD 16:9 (SEE REF# 34 FOR PARTS OF PART) (TV FLIP DOWN W/DVD MIDCABIN NTSC/ZF ONLY)
	1750793	CONVERTER, 30AMP 120/220VAC REV 1 50/60HZ FBK (HULL# 1201 -> 1307) (LOCATED BEHIND WINDOW PANEL IN CABINET)		1755311	SPEAKER, TELEVISION 5.25" (QUEST)
17	1900643	LIGHT, COURTESY OBLNG LED BRSHD SS SURF N/CON (HULL# 1209 -> UP)		1889611	VIDEO EQUIPMENT, WIRELESS HEADPHONE (JENSEN) (TV FLIP DOWN W/DVD MIDCABIN NTSC/ZF ONLY)
	840850	LIGHT, COURTESY OVAL STEP ANTIQUE WHT (INT) (HULL# 1201 -> 1208)		1762641	FILTER, POWER INTERFACE 20AMP
	935718	SCREW, SS FOR #8862 WHT OVAL STEP LIGHT (HULL# 1201 -> 1208)(PART OF 840850)		1768472	PLUG, 220V BLK RECEPTACLE
	1184639	BULB, REPL FOR MRP #0840850 (STEP LT) (HULL# 1201 -> 1208)(PART OF 840850)		1785521	SPLITTER, 3-WAY HYBRID
18	1690898	VACUUM, CENTRAL SYS 110V WET/DRY #35		695957	SPLITTER, 2-WAY HYBRID TV/SPLITTER COMBINER
	1788977	VACUUM, CENTRAL SYS 220V W/INST KIT #35		1838167	CABLE, S-VIDEO 12'
	899740	BAG, VACUUM REPL FOR MDL #S 99501/99502 (PART OF 1690898 & 1788977)		1750893	CABLE, RCA AUDIO 14" W/EFX-2 CONN N/SUP
	1776485	VACUUM, INLET BISQUE N/WIRES (PART OF 1690898 & 1788977)	34	1893388	REMOTE, TV JENSEN LCD FLP-DWN W/DVD (PART OF 1849112)
	1848749	BRACKET, VACUUM MOUNTING (PART OF 1690898 & 1788977)		1887355	STEREO, SIRIUS SATELLITE RCVR SIRCL3M-6MO
	1646900	CABLE, MARINE UL BOAT 14/3 EURO		1766115	CABLE, SIRIUS SATELLITE RCVR CENET SIRCLM3 (PART OF 1847461)
	770354	VACUUM, HOSE 20' W/ATTACHMENTS		1819303	PACKET, SIRIUS WELCOME KIT
	774679	VACUUM, HOSE 40' VINYL GREY 2"ID FLEX	36	1819303	DVD, KEC 12V DVD3 ZONEFREE (ZONE FREE DVD - USED WHEN APPLICABLE)
19	1911407	340SDA 08,DOOR,MIDSTRM VAN		1848849	REMOTE, DVD KEC 12V DVD2M/3M ZONEFREE (PART OF 1819303)
	137349	ACCESS PLATE, PLAS CVR 5" WHT		1887973	DVD, ALPINE AM/FM CD/DVD ZONEFREE (PREMIUM CABIN SOUND/ZONE FREE) (ZONE FREE/PREMIUM CABIN SOUND SYSTEM)
20	1787506	RECEPTACLE, DUPLEX BLACK 15A	37	1804089	STEREO, AMP MARINE AUDIO 80W/2CHNL 12V (LOCATED BEHIND THE MDP PANEL)
	1787521	COVER PLATE, SGL DUPLEX RECEPT BLK LVT	38	1889878	MODULE, I-POD CLARION INTERFACE (LOCATED BEHIND THE MDP PANEL)
	627737	BOX, RECEPTACLE/SWITCH PVC 1-GANG DEEP		1903029	MODULE, I-POD ALPINE INTERFACE (LOCATED BEHIND THE MDP PANEL)
21	1911409	340SDA 08,DOOR,MIDSTRM MDP CAB		1889882	CABLE, CLARION I-POD CE-NET "Y"
	390849	CATCH, GRABBER LATCH W/10LB HOLD BLK PLAS	BRACKETS		
	663708	BUMPER, CLEAR .020" THICK		835850	BRACKET, ALUM 1"X 1"X 1" 3/16"HOLES
22	1733944	LIGHT, COURTESY SURF MNT BLK LED OVAL 12V (LED NOT REPLACEABLE)		835843	BRACKET, ALUM 1"X 1/2"X 3" 3/16"HOLES 2SIDES
23	1894055	STEREO, AM/FM CD/CHNGR/SIR/XM SAT CMD5		835835	BRACKET, ALUM 1"X 1"X 3" 3/16"HOLES 2SIDES
	956078	ADAPTER, STEREO FEMALE/FEMALE		836023	BRACKET, ALUM 1.5"X 1.5"X 1.5" 3/16"HOLES
	1803706	HARNESS, STEREO ADAPTOR CMD4 W/PACKARD CONN		836122	BRACKET, PVC 1.5"X 1.5"X 3" 3/16"HOLES
	1581560	ANTENNA, AMPLIFIED 13398	LABELS		
	1903545	CABLE, CLARION REMOTE EXTENSION CABLE 25'		1743616	LABEL, UNPLUG SHORE POWER WARNING
	1750880	CABLE, RCA AUDIO 6' W/EFX-2 CONN W/NOISE SUPP		1683713	CARD, QUICK REFERENCE SHRPWR SPCRUIS/02
	799049	EXTENSION, CABLE 12' AM/FM		1746899	LABEL, DANGER CARBON MONOXIDE (LEXAN)
	1764329	CONN, DEUTSCH 4-POS PLUG W/SCKS & WDG LOCK (PREMIUM COCKPIT SOUND SYSTEM - 12 VOLT)		1747505	LABEL, INFO REPL PROD/BROCH/DLRLOC/ETC
	1764330	RECEPTACLE, DEUTSCH 4-POS KIT W/PINS &WDG LOK (PREMIUM COCKPIT SOUND SYSTEM - 12 VOLT)	NOT SHOWN		
	1818575	CABLE, RCA AUDIO 1M W/EFX-2 CONNECTORS (PREMIUM COCKPIT SOUND SYSTEM - 12 VOLT)		1324334	BUSS BAR, MINIBUS BAR DC
	1758576	CABLE, RCA AUDIO EFX-2 "Y" ADAPTER (PREMIUM COCKPIT SOUND SYSTEM - 12 VOLT) (TV 10.4" NTSC FLIP DOWN W/ DVD- MID CABIN - 12V) (TV,PAL FLIP DWN FLATSCREEN W/REMOTE DVD-12V) (AFT BULKHEAD TV NTSC 23" WIDESCREEN-120V/60)		795583	BUSS BAR, SGL POST 5/16"
24	1733835	STEREO, CD CHANGER 6-DISC DCZ625 C-NET		724930	SNAP CAP, PRESS-ON COVER #2 PHILLIP ALMOND
	1848731	STEREO, CD 6-DISC CARTRIDGE CLARION F/DCZ625 (PART OF 1733835)		1740327	MIRROR, 1/8"X 11.75"N/P X 69.5"POL1EDGE

ENTRYWAY STEPS



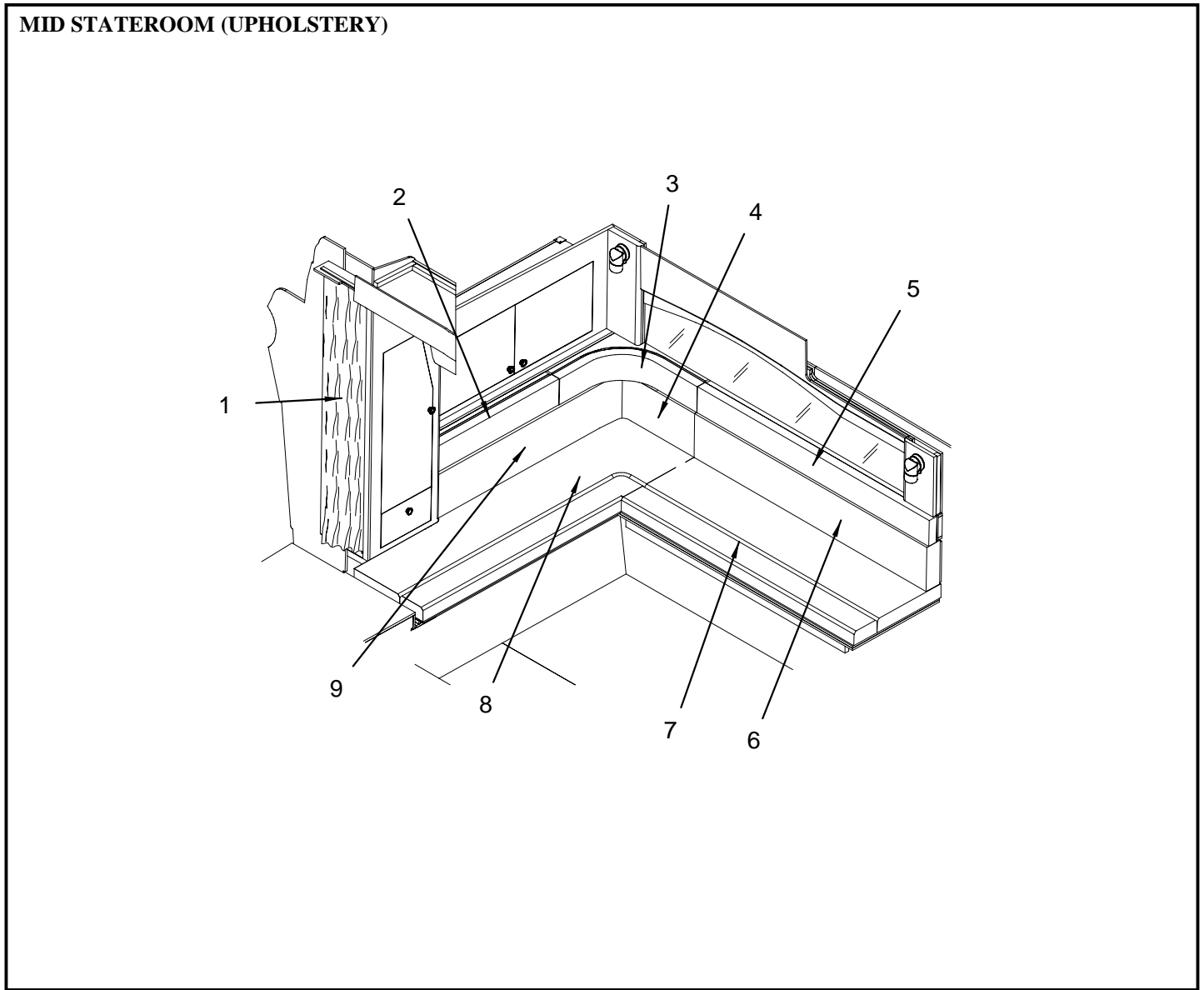
STANDARD LONCOIN STEPS



OPTIONAL TEAK STEPS

ENTRYWAY STEPS

- 1 1716628 STEP, ALUM 340DA-03 ENTRYWAY PWDRCCT
- 2 1911448 340SDA 08,STEP,LONCOIN ENTRY 4PC CMPLT
- 3 1911449 340SDA 08,STEP,LONCOIN ENTRY (1 ONLY CMPLT)
- 1316983 FLOORING, VINYL LONCOIN II FLECKS SANDSTONE
- 4 1911450 340SDA 08,STEP,TEAK ENTRY 4PC CMPLT
- 1783326 TEAK, P/C 340SDA-05 HELM ENTRY STEP 4PC
(TEAK STEP INSERTS ONLY)
- 5 1911451 340SDA 08,STEP,TEAK ENTRY (1 ONLY CMPLT)
- 1783977 MOLDING, T-MOLD/PVC 1 5/8"X 25' BLK



MID STATEROOM (UPHOLSTERY)

- 1 1888936 CURTAIN, 340DA-08 LUSTRE/IVORY CMPLT
(COMPLETE PACKAGE, ORDER BY DESCRIPTION)
- 1914574 CURTAIN, 340SDA-08 PRIV MIDSTRM LUSTRE/IVORY
(PART OF 1888936)
- 1914573 CURTAIN, 340SDA-08 PRIV FWDSTRM LUSTRE/IVORY
(PART OF 1888936)
- 1914572 CURTAIN, 340SDA-08 PRTLIGHT SNP-ON (3)
(PART OF 1888936)
- 132183 TRACK, ALUM CURT TRK 0.275"X 0.688" TAB TYPE
- 157461 UPH PARTS, END STOP W/LOOP
- 157461 UPH PARTS, END STOP W/LOOP
- 2 1911414 340SDA 08,BLSTR,MIDSTRM STB
- 1911415 340SDA 08,BLSTR SKN,MIDSTRM STB
- 3 1911416 340SDA 08,BLSTR,MIDSTRM STB CRNR
- 1911417 340SDA 08,BLSTR SKN,MIDSTRM STB CRNR
- 4 1911418 340SDA 08,FILR,MIDSTRM CRNR
(FILLER CUSHION FOR BED)
- 1911419 340SDA 08,FILR SKN,MIDSTRM CRNR
- 5 1911420 340SDA 08,BLSTR,MIDSTRM AFT
- 1911421 340SDA 08,BLSTR SKN,MIDSTRM AFT
- 6 1911422 340SDA 08,FILR,MIDSTRM AFT
(FILLER CUSHION FOR BED)
- 1911423 340SDA 08,FILR SKN,MIDSTRM AFT
- 7 1911424 340SDA 08,CUSH,MIDSTRM AFT
- 1911425 340SDA 08,CUSH SKN,MIDSTRM AFT
- 8 1911426 340SDA 08,CUSH,MIDSTRM STB

- 8 1911427 340SDA 08,CUSH SKN,MIDSTRM STB
- 9 1911428 340SDA 08,FILR,MIDSTRM STB
(FILLER CUSHION FOR BED)
- 1911429 340SDA 08,FILR SKN,MIDSTRM STB

CARPET

- 1883614 CARPET, INT 44 OZ PRAIRIE TAN 6'W
(GLUED IN CARPET)
- 1883672 CARPET, INT 44 OZ ASH 6'W
(GLUED IN CARPET)

FOAM

- 1717335 FOAM, P/C 340DA-03 MID STRM CUSH SET

HEADLINER/HULL LINER/WASHABLE SURFACE

- 1883772 VINYL, RVIEW ALABASTER N/W FLAT
- 1883771 VINYL, RVIEW ALABASTER N/W 1/4"FB

STORAGE & BUNK TOPS

- 1883894 FABRIC, GEOMETRIC CRM (NDLPNCH) W/BACK

UPHOLSTERY

- 1883625 FABRIC, PALM/SISAL FLAT
(INTERIOR 1B)

UPHOLSTERY (continued)

1907484 FABRIC, HARVARD/TAUPE FLAT
(INTERIOR 3B)
1883621 FABRIC, COLLINS/MOCHA FLAT
(INTERIOR 1A)
1883657 FABRIC, SANTIAGO/BONE FLAT
(INTERIOR 3A)

UPHOLSTERY MATERIALS

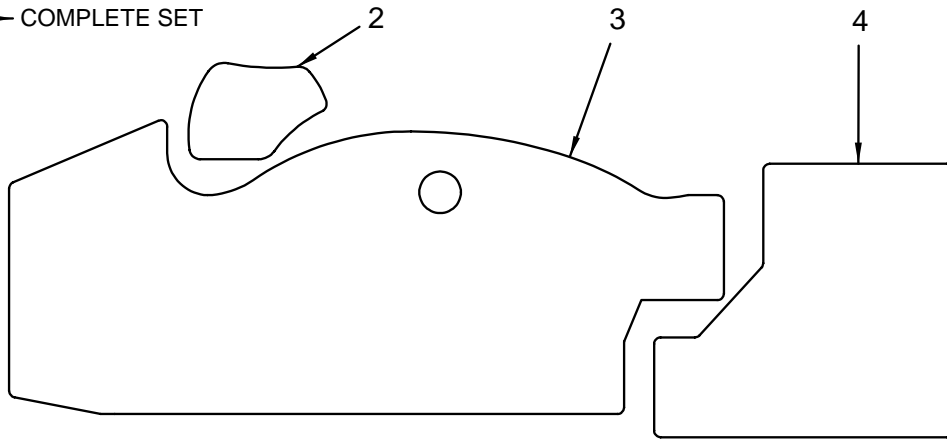
634931 FABRIC, PULL STRIP 6"X 250YD
1890131 HIDE M, RVIEW ALABASTER 5/8"
602169 TAB, PULL TAB MATERIAL 1.5"X 250YDS
(MID STATEROOM/SALON)

VINYLS

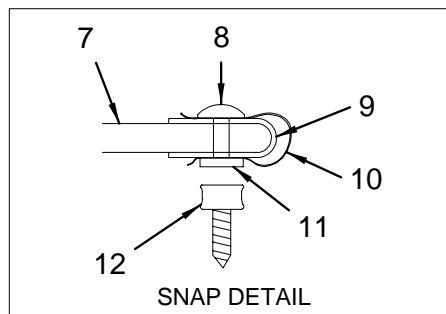
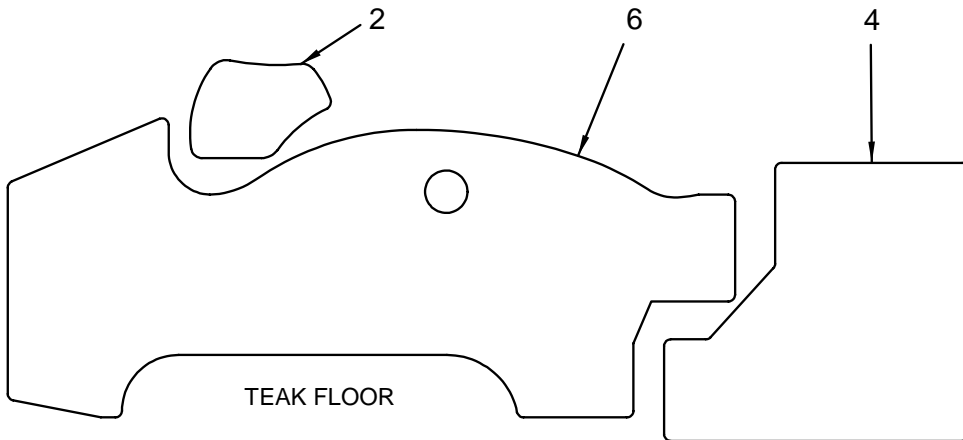
845594 VINYL, ULTRALTHR DOE 3601
(INTERIOR 3A, 3B)
(BOLSTER & INTERIOR SEATING)
1004050 VINYL, ULTRALTHR BUFF #3609
(INTERIOR 1B)
(BOLSTER & INTERIOR SEATING)

INTERIOR (CANVAS CARPET RUNNER)

1 → COMPLETE SET



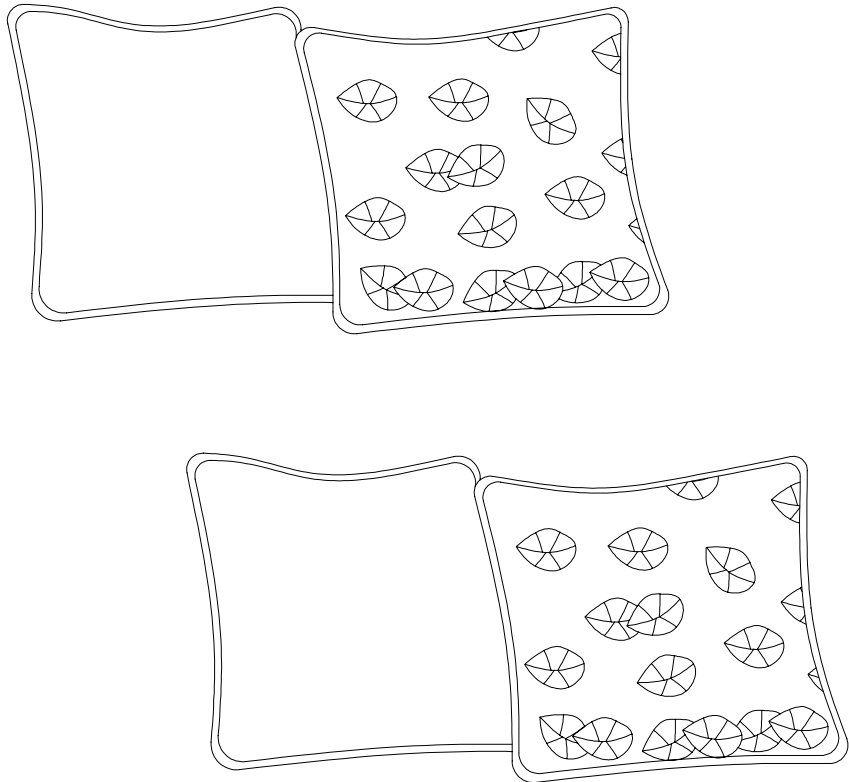
5 → COMPLETE SET W/TEAK FLOOR



INTERIOR (CANVAS CARPET RUNNER)

1	1911438	340SDA 08,CANVAS,CARPET RNR SET TST
2	1911439	340SDA 08,CANVAS,CARPET RNR SLEEPER STEP TST
3	1911440	340SDA 08,CANVAS,CARPET RNR SLN TST
4	1911441	340SDA 08,CANVAS,CARPET RNR MIDSTRM TST
5	1911444	340SDA 08,CARPET RNR,CMPLT W/TEAK FLR
6	1911445	340SDA 08,CARPET RNR,SLN W/TEAK FLR
7	1898309	CANVAS, SUNBRELLA BEIGE 60" #6020 (HULL# 1215 -> UP)
	1180025	CANVAS, SUNBRELLA TOAST TWEED 60" (HULL# 1201 -> 1214)
	1117365	CANVAS, SUNBRELLA CADET GRY 60" #6030
8	1895033	SNAP BUTTON, W/ 1/8" SS BARREL
9	1899026	BINDING, CANVAS 1" BEIGE SNBRLA STRAIGHT (HULL# 1215 -> UP)
	1218205	BINDING, CANVAS 1" TOAST TWEED SNBRLA (HULL# 1201 -> 1214)
	1899030	BINDING, CANVAS 1" CDT GRY SNBRLA STRAIGHT
10	1790664	SNAP REINFORCEMENT, PLAS BACKER 500 PC/ROLL
11	1163864	SNAP SOCKET, W/ 1/8" HOLE
12	154369	SNAP STUD, W/#8 X 3/8" PH SS

PILLOW PACKAGES



PILLOW PACKAGES

PILLOW PACKAGE MATERIALS

- 1883626 FABRIC, ALTAIR/POMEGRANATE FLAT
(HULL# 1267 -> UP)(1B INTERIOR)
- 1883622 FABRIC, ALTAIR/SAHARA FLAT
(HULL# 1267 -> UP)(1A INTERIOR)
- 1883784 FABRIC, RENDEZVOUS/WIND FLAT
(HULL# 1267 -> UP)(3A INTERIOR)
- 1883635 FABRIC, SHORELINE FLAT
(HULL# 1267 -> UP)(3B INTERIOR)
- 1883627 FABRIC, QUOTIENT/MOSS FLAT
(HULL# 1267 -> UP)(1B INTERIOR)
- 1883623 FABRIC, SANTIAGO/GODIVA FLAT
(HULL# 1267 -> UP)(1A INTERIOR)
- 1883669 FABRIC, VEGAS 531 BLUE FLAT
(HULL# 1267 -> UP)(3A INTERIOR)
- 1883636 FABRIC, GLAMOUR/STEEL FLAT
(HULL# 1267 -> UP)(3B INTERIOR)
- 603969 PILLOW, 16" X 16" POLYFIBER
- 1903169 WELT, COTTON 1/4" WHT

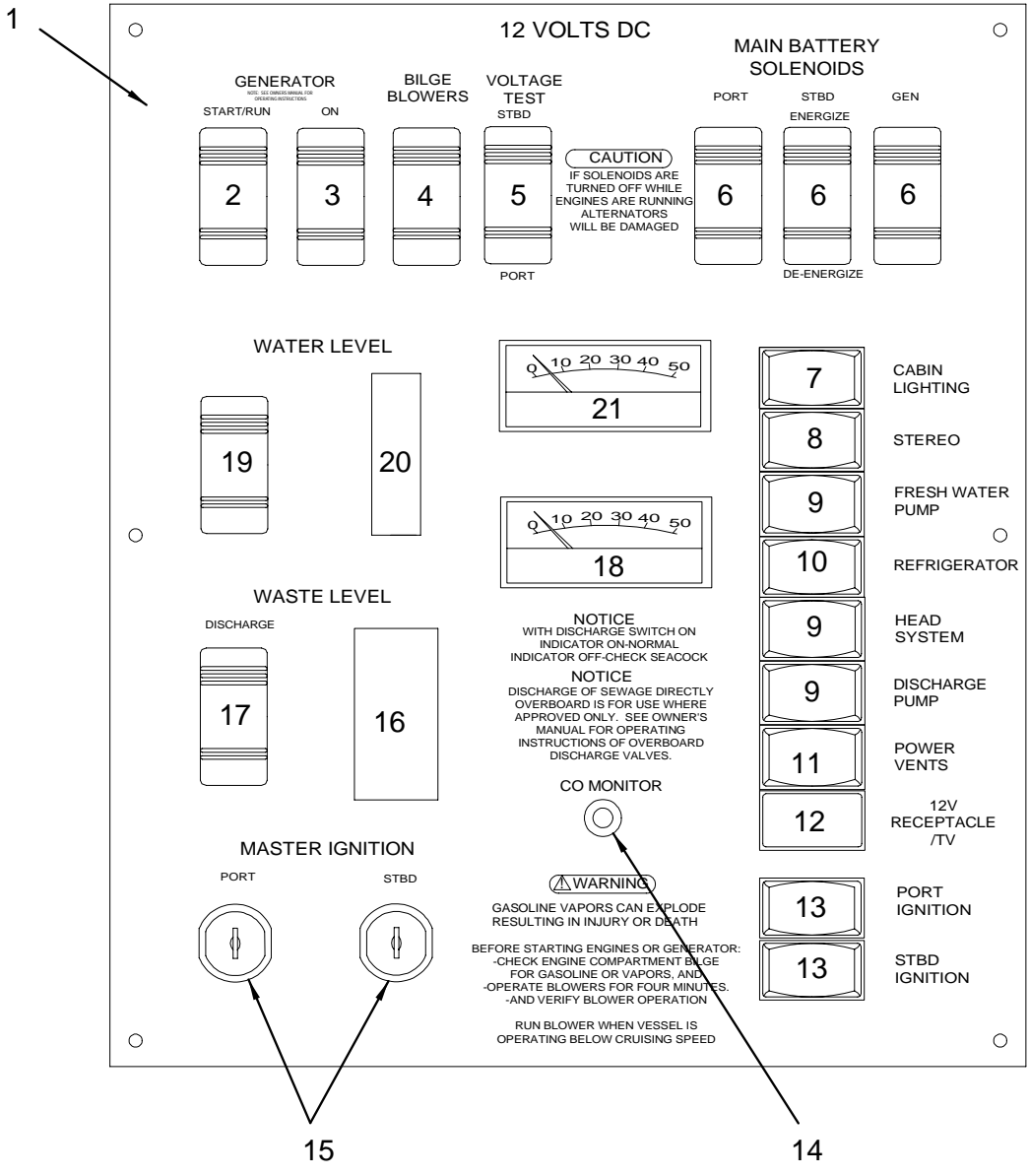
PILLOW PACKAGE SET

- 1920033 CRUISER 08,PILLOW PKG,VBRTH/MIDCAB(4) INT 1A
(HULL# 1267 -> UP - BUILT INHOUSE)
- 1920034 CRUISER 08,PILLOW PKG,VBRTH/MIDCAB(4) INT 1B
(HULL# 1267 -> UP - BUILT INHOUSE)
- 1920035 CRUISER 08,PILLOW PKG,VBRTH/MIDCAB(4) INT 3A
(HULL# 1267 -> UP - BUILT INHOUSE)

PILLOW PACKAGE SET (continued)

- 1920036 CRUISER 08,PILLOW PKG,VBRTH/MIDCAB(4) INT 3B
(HULL# 1267 -> UP - BUILT INHOUSE)
- 1887837 PILLOW PKG, 2008 SC1A VBRTH/MIDCAB (4)
(HULL# 1201 -> 1266 - VENDOR BOUGHT)
- 1887838 PILLOW PKG, 2008 SC1B VBRTH/MIDCAB (4)
(HULL# 1201 -> 1266 - VENDOR BOUGHT)
- 1887839 PILLOW PKG, 2008 SC3A VBRTH/MIDCAB (4)
(HULL# 1201 -> 1266 - VENDOR BOUGHT)
- 1887840 PILLOW PKG, 2008 SC3B VBRTH/MIDCAB (4)
(HULL# 1201 -> 1266 - VENDOR BOUGHT)

DC DISTRIBUTION 12V



DC DISTRIBUTION 12V

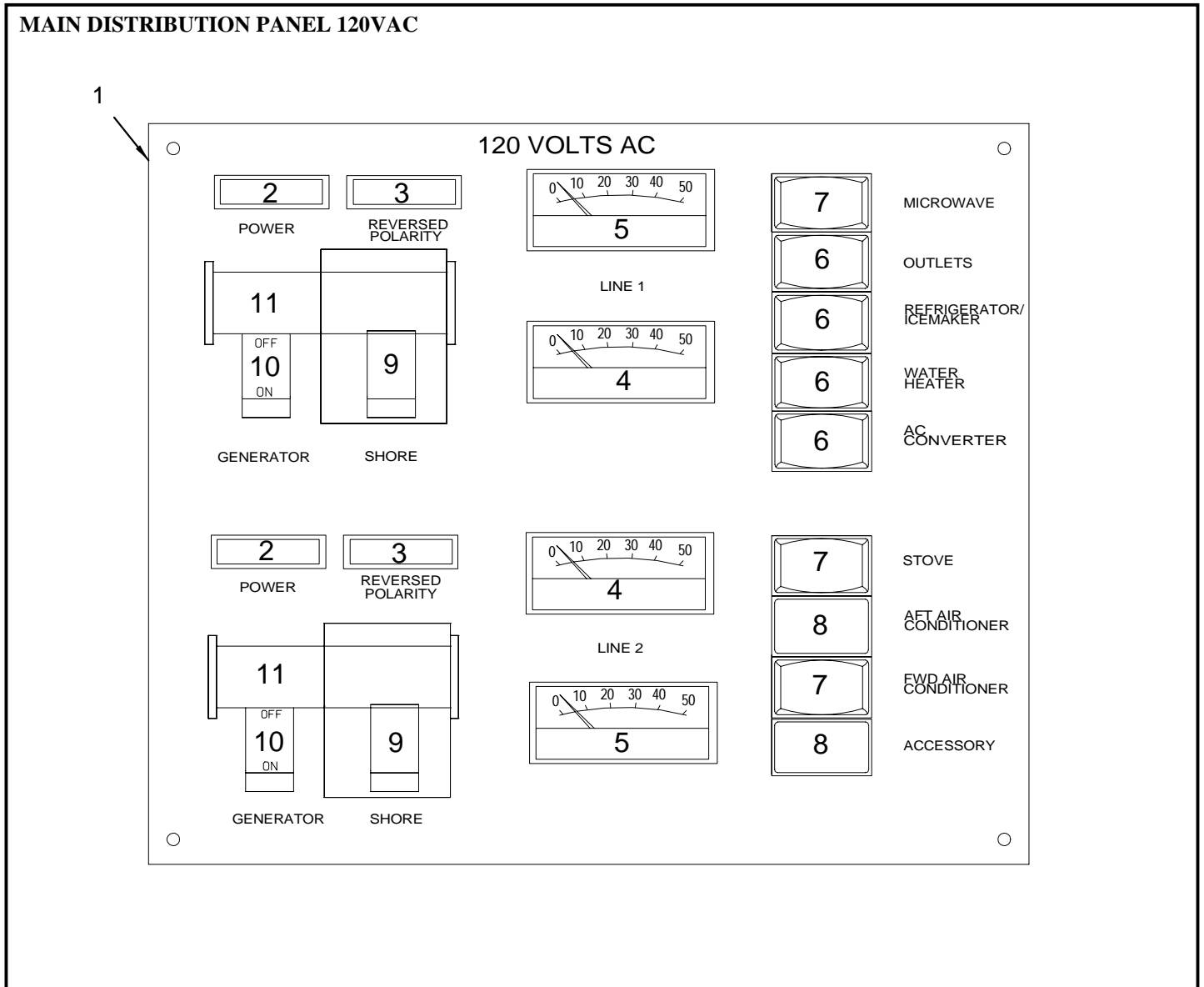
1	1813649	PANEL, 340SDA-06 DC DIST GAS
	1848750	PANEL, BLANK:340SDA-06 DC DIST GAS (BLANK PANEL FOR 1813649)
	1746952	PANEL, 340DA-04 DC DIST DSL
	1848751	PANEL, BLANK:340DA-04 DC DIST DSL (BLANK PANEL FOR 1746952)
	1807801	PANEL, 340SDA-06 DC DIST W/LOWCO GAS GEN
	1848750	PANEL, BLANK:340SDA-06 DC DIST GAS (BLANK PANEL FOR 1807801)
	1746957	PANEL, 340DA-04 DC DIST DSL ONAN GEN
	1848751	PANEL, BLANK:340DA-04 DC DIST DSL (BLANK PANEL FOR 1746957)
2	758045	BODY, ROCK SW 2 CKT PROG W/IND LMP
	679324	ACTUATOR, ROCK BLK W/BLOCK LENS ACCY
3	1544204	SWITCH, DPST (MOM) EMER START
	681486	ACTUATOR, ROCK BLK W/O LENS ACCY
4	799304	BODY, ROCK SW SPST (MOM) BLK W/IND INC LAMP
	679324	ACTUATOR, ROCK BLK W/BLOCK LENS ACCY
5	719849	BODY, ROCK SW SPDT ON-(MOM ON)
	681486	ACTUATOR, ROCK BLK W/O LENS ACCY
6	681494	BODY, ROCK SW DPDT MOM 12V W/INDEP INC LAMP
	1199421	ACTUATOR, ROCK VERT BLK W/BLOCK LENS BATT SYS
7	352112	BRKR/ROCK, SGL-POLE AC/DC HORZ 20A RED
8	355081	BRKR/ROCK, SGL-POLE AC/DC HORZ 25A RED
9	352013	BRKR/ROCK, SGL-POLE AC/DC HORZ 10A RED
10	352062	BRKR/ROCK, SGL-POLE AC/DC HORZ 15A RED
11	352278	BRKR/ROCK, SGL-POLE AC/DC HORZ 7.5A RED
12	352062	BRKR/ROCK, SGL-POLE AC/DC HORZ 15A RED
	432872	PLUG, BRKR/ROCK
13	807016	BRKR/ROCK, SGL-POLE AC/DC HORZ 10A RED W/GUAR
14	1181700	BRKR, P/BTN-MANUAL RESET M-SERIES 1A W/SCREW
15	1883476	SWITCH, DTS IGN ASSY DUAL 3-POS W/MATCHED KEY
16	893800	PANEL, WASTE LEVEL INDICATOR 12V
17	648097	BODY, ROCK SW SPST BLK 12V INCAND (WASTE DISCHARGE)
	679324	ACTUATOR, ROCK BLK W/BLOCK LENS ACCY (WASTE DISCHARGE)
18	767590	GAUGE, AMMETER AC 0-50 ANALOG WINDOW MT SMALL
19	679332	BODY, ROCK SW SPST MOM (WATER LEVEL)
	681486	ACTUATOR, ROCK BLK W/O LENS ACCY
20	806901	INDICATOR, WATER LEVEL 12V
21	767616	GAUGE, VOLTMETER DC 8-16 ANALOG WINDOW MT SM

LABELS

1746899	LABEL, DANGER CARBON MONOXIDE (LEXAN)
1745156	LABEL, NOTICE OVERBOARD DISCHARGE (LEXAN)

NOT SHOWN

1803573	HARNES, 340SDA-06 CABIN DC W/CONN
---------	-----------------------------------



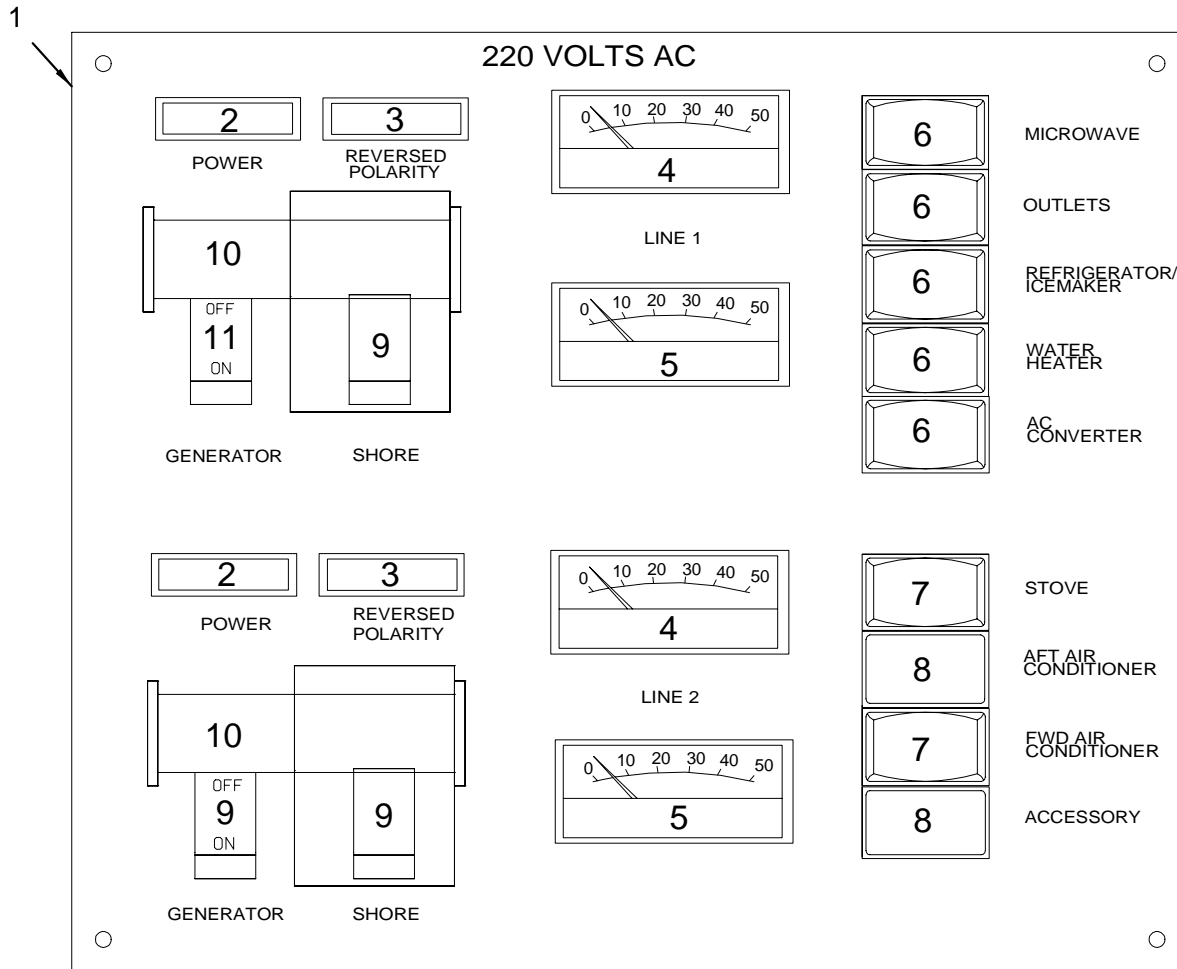
MAIN DISTRIBUTION PANEL 120VAC

- 1 1686701 PANEL, 340DA-03 MDP 120VAC
- 1686700 PANEL, BLANK:340DA-03 MDP 120VAC
(BLANK PANEL FOR 1686701)
- 1686702 PANEL, 340DA-03 MDP 120VAC W/OPT GEN
- 1686703 PANEL, BLANK:340DA-03 MDP 220VAC/50HZ
(BLANK PANEL FOR 1686702)
- 2 572529 LIGHT, POLARITY GRN 125V
- 3 557611 LIGHT, POLARITY RED 125V
- 4 767608 GAUGE, VOLTMETER AC 0-150 ANALOG WINDOW MT SM
- 5 767590 GAUGE, AMMETER AC 0-50 ANALOG WINDOW MT SMALL
- 6 332031 BRKR/ROCK, SGL-POLE AC/DC HORZ 15A WHT
- 7 331991 BRKR/ROCK, SGL-POLE AC/DC HORZ 20A WHT
- 8 432872 PLUG, BRKR/ROCK
- 9 648873 BRKR/ROCK, 2-POLE AC/DC VERT 30A WHT
- 10 595926 BRKR/ROCK, 2-POLE AC/DC VERT 50A WHT
- 11 340679 SLIDE ASSY, SLIDE BAR MDP PANEL

HARNESSES

- 1806294 HARNESS, 340SDA-06 CABIN AC 120VAC

MAIN DISTRIBUTION PANEL 220VAC



MAIN DISTRIBUTION PANEL 220VAC

- 1 1686704 PANEL, 340DA-03 MDP 220VAC/50HZ
- 1686705 PANEL, 340DA-03 MDP 220VAC/50HZ W/GEN
- 1686700 PANEL, BLANK:340DA-03 MDP 120VAC
(BLANK PANEL FOR 1686704 & 1686705)
- 2 557603 LIGHT, POLARITY GRN 220V
- 3 557629 LIGHT, POLARITY RED 220V
- 4 796334 GAUGE, VOLTMETER AC 0-300 ANALOG WINDOW MOUNT
- 5 767590 GAUGE, AMMETER AC 0-50 ANALOG WINDOW MT SMALL
- 6 332593 BRKR/ROCK, SGL-POLE AC/DC HORZ 10A WHT
- 7 332031 BRKR/ROCK, SGL-POLE AC/DC HORZ 15A WHT
- 8 432872 PLUG, BRKR/ROCK
- 9 440354 BRKR/ROCK, 2-POLE AC/DC VERT 20A WHT
- 10 340679 SLIDE ASSY, SLIDE BAR MDP PANEL

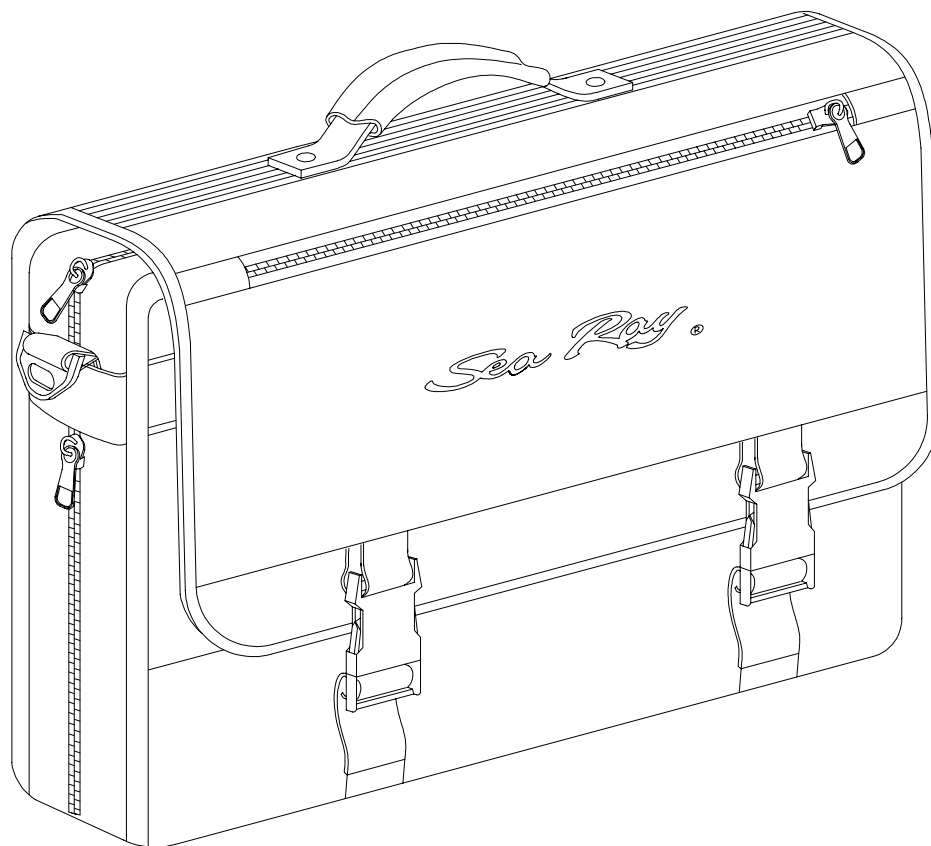
HARNESSES

- 1806295 HARNESS, 340SDA-06 CABIN AC 220VAC

NOT SHOWN

- 893289 FRAME, IDEA-SERIES 3-GANG SUPPORT FRAME GREY
- 975011 SWITCH, BLANK IDEA-SERIES WHT
- 975029 COVER PLATE, IDEA-SERIES 3-GANG WHT
- 975037 BRKR, IDEA 230V 2P EURO GFCI 16A 10MA WHT

MULTI-INFO PACKET



MULTI-INFO PACKET

MULTI-INFO PACKET

1902292 PACKET, MULTI-INFO SPORT CRUISER C-08

OWNERS PACKET CONTENTS

- 902726 PACKET, OWNERS BRIEFCASE CANVAS BLK (TYPHOON) (TOTE BAG)
- 1902273 MANUAL, OWNERS - SPORT CRUISER-08
- 1902274 MANUAL, SYSTEMS - SPORT CRUISER-08
- 1902275 DVD, OWNERS - SPORT CRUISER-08
- 1902285 DVD, SAFETY - SEA RAY-08
- 1896824 CARD, WARRANTY - SC/SY/Y '08
- 1836824 CHECK LIST, IN SERVICE-SPBOATS/SPCRUISERS 06 (INCLUDED IN A SEPARATE ZIP BAG)
- 798595 HARNESS, ACCY HATCH LIFT PIGTAIL (INCLUDED IN A SEPARATE ZIP BAG)
- 1411404 ENVELOPE, DEALER INFORMATION (INCLUDED IN A SEPARATE ZIP BAG)

OWNERS PACKET SUPPLIED BY PLANT

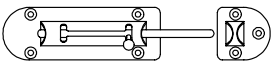
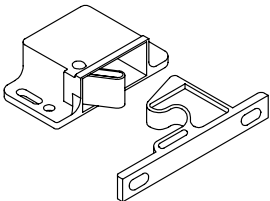
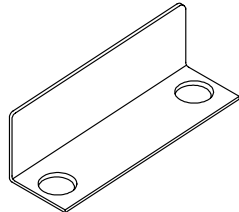
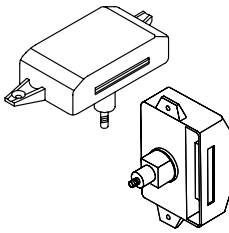
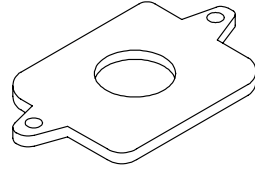
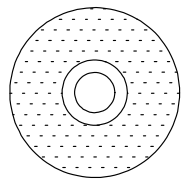
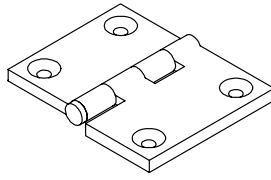
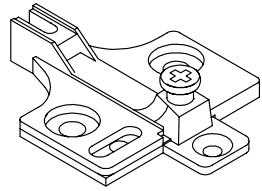
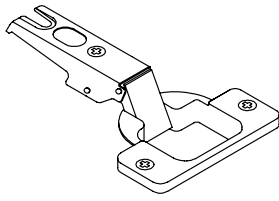
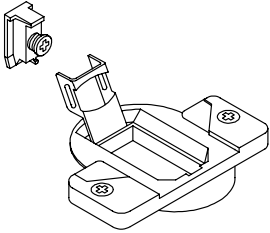
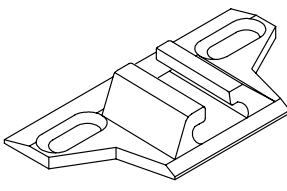
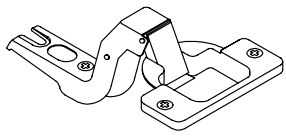
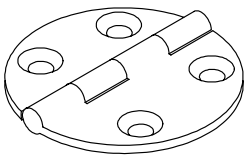
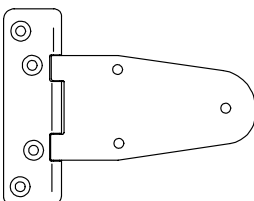
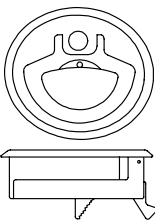
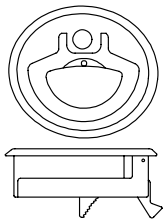
- 800565 BOOKLET, BOATER'S GUIDE TO AC ELECTRICAL SYST
- 1413616 TANK, HOLDING NEW OWNERS GIFT PACK
- 1683713 CARD, QUICK REFRENCE SHRPWR SPCRUIS/02
- 1750454 DECAL, SEA RAY OWNERS CLUB (NBOA) RV
- 522599 KEY, DECK PLATE CAP

OWNERS PACKET SUPPLIED BY PLANT (continued)

- 1686639 PACKET, 340DA-03 SAFETY INFO UNIT
- 1766115 PACKET, SIRIUS WELCOME KIT
- 1880468 CHECK LIST, INT'L DISCLOSURE SPBT/SPCRUSR '06 (INTERNATIONAL IN-SERVICE CHECKLIST)
- 1691479 MANUAL, OWNERS - SEA RAY INT'L 12-LANGUAGE (C E OPTION GROUP)

KNOXVILLE HARDWARE

2006 KNOXVILLE PLANT HARDWARE

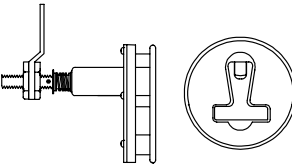
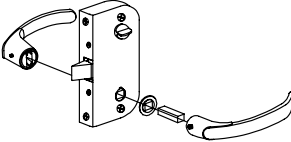
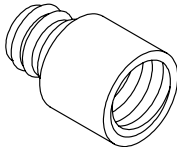
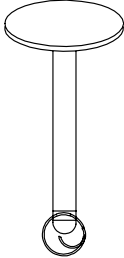
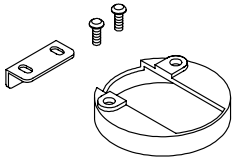
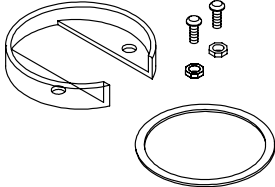
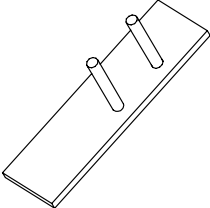
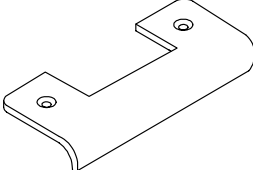
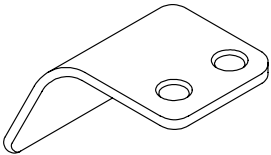
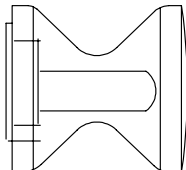
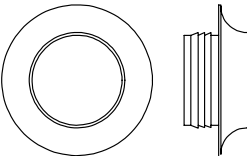
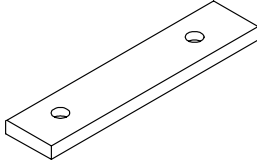
<p>CHR 4 7/16" BOLT</p>  <p>1 → 159103</p>	<p>BLACK 10LB</p>  <p>2 → 390849</p>	 <p>3 → 761445</p>	<p>WHITE</p>  <p>4 → 772418</p>
 <p>5 → 1132380</p>	 <p>6 → 776567</p>	 <p>7 → 132324</p>	 <p>8 → 525667</p>
 <p>9 → 814350</p>	 <p>10 → 173922</p>	 <p>11 → 173948</p>	 <p>12 → 839399</p>
 <p>13 → 1338821</p>	 <p>14 → 1683753</p>	<p>STAINLESS STEEL</p>  <p>15 → 1781437</p>	<p>STAINLESS STEEL</p>  <p>16 → 1781434</p>

KNOXVILLE HARDWARE

1	159103	BOLT, BARREL CHR 4 7/16" BOLT 5.25" LOA
2	390849	CATCH, GRABBER LATCH W/10LB HOLD BLK PLAS
3	761445	CATCH, RIM-LOCK STRIKE PLATE
4	772418	CATCH, RIM-LOCK WHT
5	1132380	CATCH, RIM-LOCK WHT (SHIM ONLY)
6	776567	CATCH, ROUND PLAS 13/16" "DUAL LOCK" (3M)
7	132324	HINGE, BUTT CHROME/ZINC 2"
8	525667	HINGE, CONCEALED FULL OVERLAY MT PLATE ONLY
9	814350	HINGE, CONCEALED FULL OVERLAY 100DEG W/DOWEL
10	173922	HINGE, CONCEALED INT BLUM
11	173948	HINGE, CONCEALED MT PLATE ONLY BLUM
12	839399	HINGE, SELF CLOSING BLUM SCREW-ON
13	1338821	HINGE, SS STRAP 2.56" X 2.56" X 1/4"
14	1683753	HINGE, SS 320DA-02 CKPT HATCH
15	1781437	LATCH, COMPRESSION 2"N/LOCKING SS
16	1781434	LATCH, FLUSH MNT N/LOCKING SLAM SS

KNOXVILLE HARDWARE (CONTINUED 1)

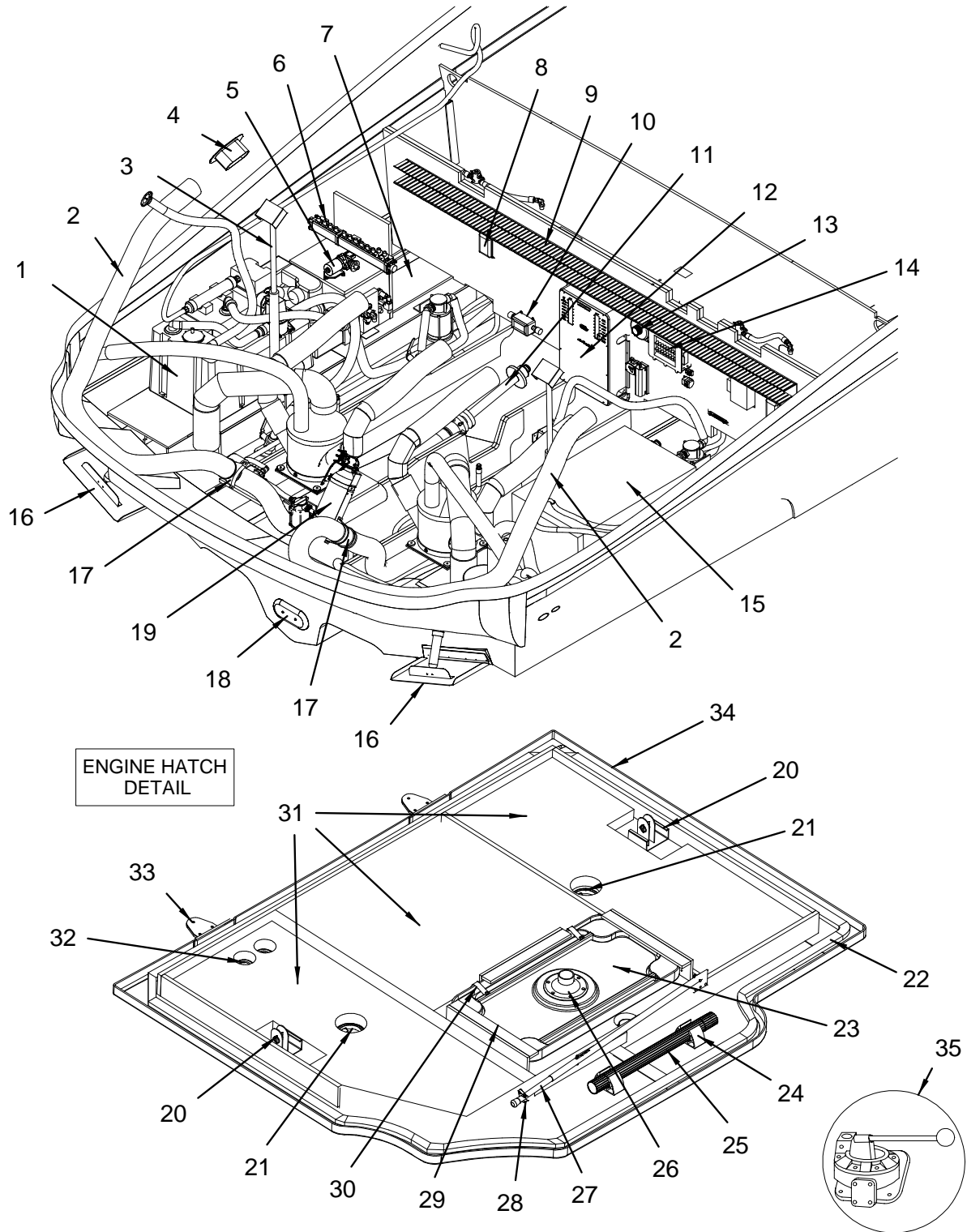
2006 KNOXVILLE PLANT HARDWARE

<p>STAINLESS STEEL</p>  <p>1 → 1480813</p>	<p>LH OUT SATIN/NICKLE</p>  <p>2 → 1776672</p>	<p>BRASS 12MM</p>  <p>3 → 1123165</p>	 <p>4 → 140111</p>
 <p>5 → 1781435</p>	 <p>6 → 1781440</p>	 <p>7 → 1625078</p>	<p>13/16" WIDE</p>  <p>8 → 847327</p>
<p>CHROME</p>  <p>9 → 1437219</p>	<p>SATIN</p>  <p>10 → 1742136</p>	<p>SATIN/NICKLE</p>  <p>11 → 1776837</p>	 <p>12 → 826453</p>

KNOXVILLE HARDWARE (CONTINUED 1)

1	1480813	LATCH, FLUSH MOUNT ROUND T-HNDL SS W/PAWL
2	1776672	LATCH, OFFSHR FLSH LH-OUT PRVKNB SAT/NCK 5/8"
3	1123165	LATCH, 12MM BRASS SHAFT EXTENSION
4	140111	LIFT HANDLE, HATCH LIFT BOLT W/RING 3"
5	1781435	PLATE, CUP BRKT 2"LONG SCREW W/HDWR PKG
6	1781440	PLATE, DEEP BRKT 2"W/HDWR PKG SS (SPORTSMAN'S PACKAGE)
7	152785	NUT, HEX NYLON LOCK #1/2-13 SS (MOUNTING BACKING PLATE FOR ARCH)
	1625078	PLATE, SS SPOILER MNT W/2STUD 1/2"X3.5" (MOUNTING BACKING PLATE FOR ARCH)
8	847327	PLATE, STRIKER MOBELLA 13/16"WIDE
9	1437219	PULL, DOOR FLUSH MIRROR CHR
10	1742136	PULL, PUSH-BUTTON KNOB SAT/NCKL
11	1776837	PULL, ROSETTE SAT/NCKL RND 16MM (5/8")
12	826453	SHIM, DOOR STRIKER

BILGE



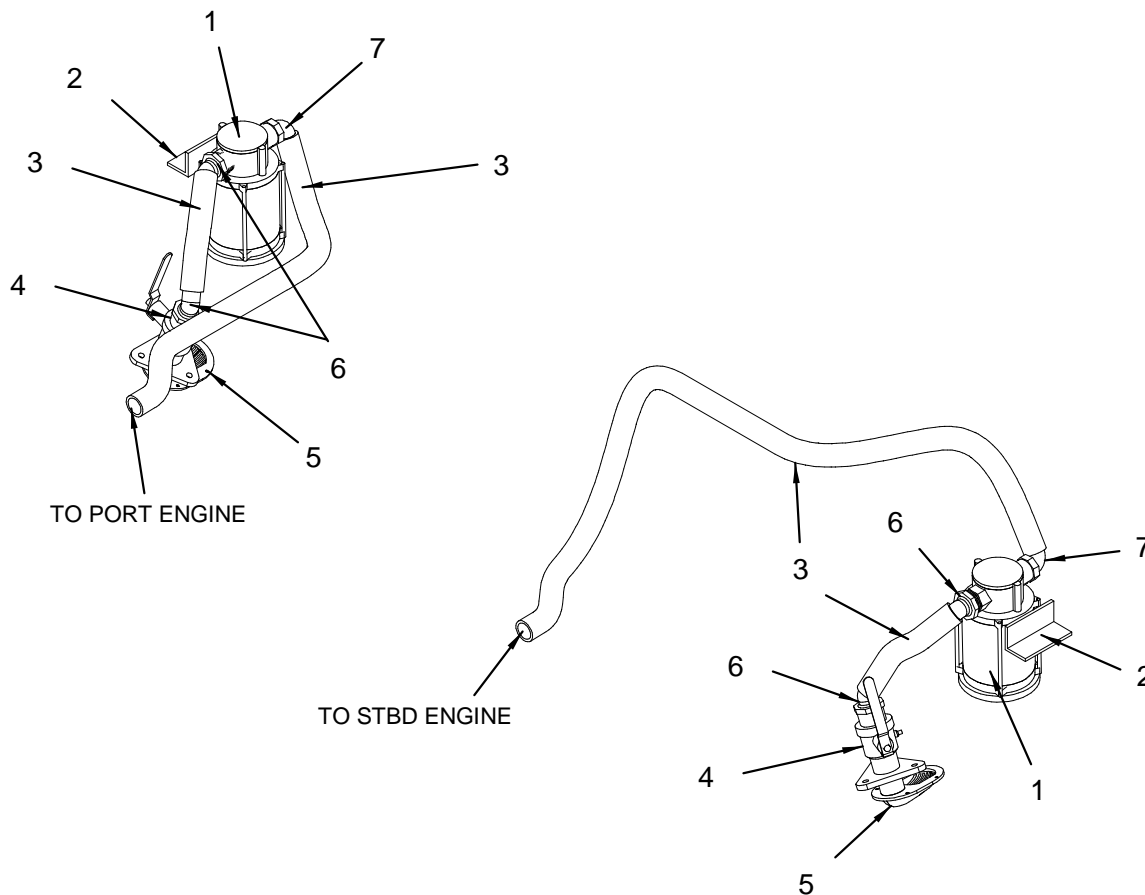
BILGE

1	1761960	TANK, HOLDING 28 GAL HTS W/VAC GEN W/CONN	12	1690175	BUSS BAR, LATCHING SOLENOID 5"X 1" NCKL PLTD
	1788791	FILTER, HEAD TREATMENT SYSTEM DOMETIC (PART OF 1761960)		829432	BUSS BAR, DBL POST 5/16"
	1788792	VACUUM GEN, 12VDC DOMETIC (PART OF 1761960)		1690833	SOLENOID, EMERG START 12V 100AMP
	1760159	TANK, HOLDING 28 GAL HTS W/VAC GEN/12V T-PMP (MACERATOR W/ SEACOCK INTERLOCK SYSTEM)		644609	SOLENOID, MAGNET LATCHING 12V 100A/500A W/HDW
	1852579	SENDING UNIT, HOLD TANK FULL LEVEL INDICATOR (PART OF 1760159)		1888412	RESISTOR, VLTG SURGE BATT SOLENOID SUPPRESSOR (ADDED TO BATTERY SOLENOID TO CONTROL VOLTAGE SURGE)
	1852580	SENDING UNIT, HOLD TANK MID LEVEL INDICATOR (PART OF 1760159)		651869	SOLENOID, MAGNET LATCHING LEAD ONLY
	1852581	SENDING UNIT, HOLD TANK EMPTY LEVEL INDICATOR (PART OF 1760159)	13	136150	SWITCH, BATTERY ON/OFF DSL W/DISC
	1788793	PUMP, HEAD SYS MACERATOR 12VDC DOMETIC (PART OF 1760159)	14	1846566	MODULE, ELEC INTERFACE AFT S-CRUISER 07
2	124016	HOSE, VENT/BLOWER 4" EX HVY DTY	15	1803671	GENERATOR, 5ECD GAS KOHLER 120V/60 SCRFT
3	1766064	ACTUATOR, ELEC HATCH LIFT 18"12V INLIN QUIETR		1833211	GENERATOR, 4EFCO GAS KOHLER 220V/50 SCRFT
	1716652	BRACKET, 340DA-03 HATCH LIFT LWR		1727808	GENERATOR, 5.0 KW DSL ONAN 120V/60
	1717467	SPACER, P/B 340DA-03 BILGE HTCH ACT PRT	16	725937	TRIM TAB, ASSY 12X18 SGL ACT
4	1048834	A/C COMP, HOSE RING 4" RND PLAS		268508	TRIM TAB, HYD PUMP KIT W/3" NIPPLE
5	1903842	PUMP, FRESHWATER 3.0GPM SHURFLO SOFT BASE (HULL# 1277 -> UP)	17	1587104	BLOWER, BILGE 4" #240M W/O CONN
	1480433	PUMP, FRESH WATER SHURFLO 2.8GPM IMP SOFT MNT (HULL# 1201 -> 1276)	18	144329	ZINC, TRANSOM ZINC
6	1792205	MANIFOLD, ZURN SNGL SIDE W/5 PRT		1424522	BOLT, HEX HD #7/16-14 X 2" GRD#8 YL/ZINC
7	1239458	HOLDER, BATTERY GR27/31 BLK NYLON W/SS		144378	NUT, ZINC 3/8-16 SIL/BRZ
	1258979	BOOT, BATTERY CABLE 105C "T" BLK 4/0	19	1836822	FIRE EXT SYS, FE241 (SR) 350CF AUTO/MAN
	1258987	BOOT, BATTERY CABLE 105C "T" RED 4/0		1691133	FIRE EXT SYS, FM200 350CF GAS/DSL-MAN/AUTO
	130807	CABLE, BATT BLK #2/0AWG		1642297	HALON CABLE, MANUAL PULL CABLE 19'
	184051	CABLE, BATT RED #2/0AWG	20	1686744	BRACKET, 320DA-02 HATCH LIFT UPR
	130799	CABLE, BATT BLK #2AWG		1716652	BRACKET, 340DA-03 HATCH LIFT LWR
	130781	CABLE, BATT RED #2AWG	21	983692	ACCESS PLATE, POLYPROP W/ O-RING 4" WHT
	136044	CABLE, BATT BLK #4/0AWG	22	1396142	MOLDING, FOAM RBR "D-SHAPE" 1.75" W/HAT ADH
	136051	CABLE, BATT RED #4/0AWG	23	1891207	TABLE, TEAK 1.75"X19"X35"CKPT W/L BASE RV1
	650499	BOOT, BATTERY CABLE 4/0 RED 11/16"	24	1500552	CLIP, TABLE LEG 60MM TUBE BLK
	650507	BOOT, BATTERY CABLE 4/0 BLK 11/16"	25	1476738	POST, TABLE LEG 26.5"X 2.25" ALUM RIB DBL TPR
	140509	BOOT, ENG STARTER RED	26	876961	BASE, LEG/POST FLUSH MT ALUM
8	822668	LIGHT, SGL DOME FLUSH MT PLAS WHT W/O SWITCH	27	1847108	SUPPORT, SS SPCRUIS ENG HATCH 35"NON ADJ
	604801	BULB, DOME LIGHT 12V (PART OF 822668)	28	590646	CLIP, POLE STRG BLK - MAST LIGHT
9	1051705	COVER BASE, PLAS DUCT WIRING CVR 4"X 6"WHT	29	1687622	RACK, LDPVC 320DA-02 TABLE STRG SET 5-PC
	1248335	COVER BASE, PLAS DUCT WIRING 4"X 4"X 6' WHT	30	156893	WEBBING, POLYPROPYLENE 1" BLACK
10	144899	BOX, PVC SWITCH BOX	31	315507	INSULATION, VIBRACON 1"
	144907	COVER PLATE, SWITCH BOX BLUE PVC	32	326009	THRU-HULL, PLAS 2" WHT (FULL THREAD)
11	981522	SHAFT, SS 1.5"X 73.19" AQ19 W/COUPLING	33	1338821	HINGE, SS STRAP 2.56" X 2.56" X 1/4"
	991265	COUPLING, 1.5" HURTH REVERSED TAPPER (PART OF 981522)	34	1910824	340SDA 08, HATCH, ENG FBRGLS
	1440718	NUT, HEX 1 1/8"X 7 BRZ HVY FULL (PART OF 981522)		1656719	LATCH, FLUSH MOUNT ROUND T-HANDLE SS N/PAWL
	1440726	NUT, HEX 1 1/8"X 7 BRZ HVY JAM (PART OF 981522)	35	529016	PUMP, BILGE 16GPM MANUAL TWO POS (C E OPTION GROUP)
	1440742	NUT, JAM 1 1/8" X 12 HVY NYLOCK ZINC PLATED (PART OF 981522)		801563	PUMP, BILGE MANUAL PICKUP/STRAINER (C E OPTION GROUP)
	1883554	KEY STOCK, COUPL 3/8"X 2 3/8" SS W/PIN (HAS A PIN TO HELP LOCK IN PLACE)		604959	PUMP, BILGE 16GPM MANUAL THRU DECK MNT (SPORTSMAN'S PACKAGE/C E OPTION GROUP)
	1690739	KEY STOCK, PROP 3/8"X 3 3/8" BRNZ (PART OF 981522)	BRACKETS		
	1690740	PIN, COTTER PIN 5/32"X 1 3/4" SS (PART OF 981522)		1690189	BRACKET, PVC 1"X 1"X 5" LATCHING SOLENOID GRY
	1618479	SHAFT, SS 1.75"X 74.25" AQ22 W/COUPL		836023	BRACKET, ALUM 1.5"X 1.5"X 1.5" 3/16"HOLES
	1690743	COUPLING, 1.75" X 5 HURTH TAPERED (PART OF 1618479)		836122	BRACKET, PVC 1.5"X 1.5"X 3" 3/16"HOLES
	1690744	NUT, HEX 1.25" X 7 BRZ HVY FULL (PART OF 1618479)		836114	BRACKET, PVC 1.5"X 1.5"X 6" 3/16"HOLES
	1690745	NUT, HEX 1.25" X 7 BRZ HVY JAM (PART OF 1618479)		908566	BRACKET, ALUM 2"X 2"X 1/4"X 7.5"W/5/8"HOLES 2 (SPORTSMAN'S PACKAGE)
	1690746	PIN, COTTER PIN 3/16"X 1.75" SS (PART OF 1618479)	HARNESSES		
	1690747	KEY STOCK, PROP 7/16"X 4 1/8" BRNZ SEA RAY (PART OF 1618479)		1849960	HARNESS, MERC 10 PIN FEMALE TO FEMALE ADP
	1690748	NUT, JAM 1.25" X 12 HVY NYLOCK ZINC PLATED (PART OF 1618479)		1772366	HARNESS, ENG MERC DATA 14-PIN DTS 30'
	1690749	KEY STOCK, COUPL 7/16"X 3.25" SS (PART OF 1618479)		1812222	HARNESS, ENG MERC DATA 14-PIN DTS 25'
12	1690750	BOX, T/F 340DA-03 MAIN DC BRKR PNL		1798207	HARNESS, ENG MERC DATA 14-PIN DTS 40'
	1686597	PANEL, 340DA-03 MAIN DC BRKR	LABELS		
	1686609	PANEL, BLANK:340DA-03 MAIN DC BRKR (BLANK PANEL FOR 1686597)		1744737	LABEL, DISCHARGE OF OIL (LEXAN)
	1690040	PLATE, ALUM 340DA-03 MAIN DC BRKR BOX BCKNG		1745512	LABEL, STAY CLEAR OF MOVING PARTS ON ENGINE
	1690173	BLOCK, HDPE 3/4"X 1"X 4" EMERG START SOLENOID		1743616	LABEL, UNPLUG SHORE POWER WARNING
				1743505	LABEL, WARNING GAS VAPOR EXPLODE/AUTO EXT SYS
				1751885	LABEL, CAUTION: PRIOR TO TOWING VESSEL
				1745123	LABEL, BILGE (LEXAN) (C E OPTION GROUP)
			NOT SHOWN		
				957092	A/C COMP, HOSE RING 5" OBLONG
				1690510	SENSOR, S-CRFT PADDLE WHEEL SPEED
				1424522	BOLT, HEX HD #7/16-14 X 2" GRD#8 YL/ZINC
				1689287	BOX, DR/ABS 340DA-03 PORT VENT
				1689286	BOX, DR/ABS 340DA-03 STBD VENT
				1690371	ACC PART, MERC S-CRFT TRNS W/19" NYL DEP/TEMP
				770404	INSULATION, 2" ACOUSTICAL 4.5"X 6' ALUM
				1795499	TRANSDUCER, DEPTH/TEMP FOR DSM250 FISHFINDER (SPORTSMAN'S PACKAGE ELECTRONICS)
				933853	TRANSDUCER, DEPTH RETRACTABLE VALOX RAYDATA
				933861	TRANSDUCER, SPEED SELF SEALING VALOX RAYDATA
				1790689	PUMP, WASHDOWN 3.6GPM PROBTMSTR 30PSI W/CONN (SPORTSMAN'S PACKAGE)

SPLIT CONDUIT

- 1501782 HOSE, CONDUIT/SPLIT 1/2" FLAME RETARDANT
- 1501824 HOSE, CONDUIT/SPLIT 3/4" FLAME RETARDANT
- 1501832 HOSE, CONDUIT/SPLIT 3/8" FLAME RETARDANT
- 1501840 HOSE, CONDUIT/SPLIT 1" FLAME RETARDANT
- 1501857 HOSE, CONDUIT/SPLIT 1.5" FLAME RETARDANT
- 1502202 HOSE, CONDUIT/SPLIT 2" FLAME RETARDANT

BILGE (ENGINE SET-UP/WATER INTAKE)



BILGE (ENGINE SET-UP/WATER INTAKE)

- 1 158063 STRAINER, BRZ WATER INTAKE 1.25"
(BLACK DRAIN PLUG COMES WITH THE STRAINER)
- 1884113 BRACKET, STRAINER MNT LWR BRZ
(PART OF 158063)
- 1884114 CLAMP, SS STRAINER (STRAP)
(PART OF 158063)
- 1583475 STRAINER, BRZ WATER INTAKE 1.5"
(TVD-6LPSTP (T-306 PHP) YANMAR INBOARDS DSL)
- 2 836114 BRACKET, PVC 1.5"X 1.5"X 6" 3/16"HOLES
- 3 124206 HOSE, WATER INTAKE 1.25" HW
487736 HOSE, WATER INTAKE 1.75" HW
- 4 518449 SEACOCK, BRZ 1.25" W/O TAILPIECE
518456 SEACOCK, BRZ 1.5" W/O TAILPIECE
- 5 531590 PICK-UP, BRZ WATER INTAKE 1.25"
161596 PICK-UP, BRZ WATER INTAKE 1.5"
- 6 586917 ELBOW, BRZ 45DEG 1.25"MPT X 1.25"BARB
1685665 ADAPTER, BRZ 1.5"NPT X 1.75"BARB
- 7 144691 ELBOW, BRZ 90DEG 1.25"MPT X 1.25"BARB (PERKO)
1685664 ELBOW, BRZ 90DEG 1.5"NPT X 1.75"BARB

CLAMPS

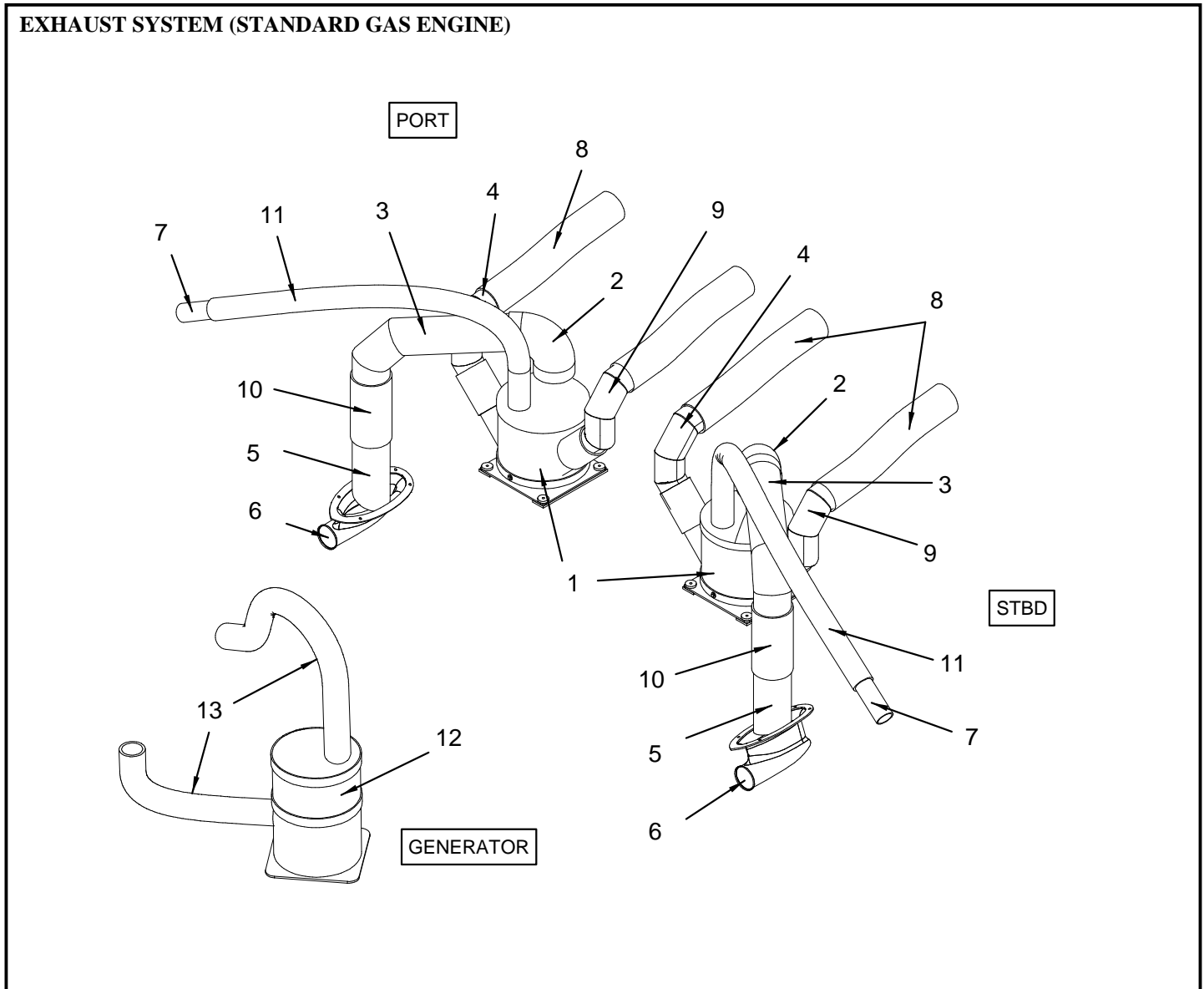
- 256693 CLAMP, HOSE #24 1"-2" SS .505

HOSE

- 124214 HOSE, WATER INTAKE 1.5" HW

NOT SHOWN

- 1261528 PLATE, BACKING 1/4"X 2"X 7.5" ALUM



EXHAUST SYSTEM (STANDARD GAS ENGINE)

- 1 1418987 MUFFLER, 310DA-00 V-DRIVE
- 2 860064 EXHAUST, EL 5"X 90DEG RBR W/T-BOLT CLAMPS
- 256750 CLAMP, HOSE #88 4.25"-6" SS .505
- 3 1686692 EXHAUST, 340DA-03 ELBOW 5" MERC
- 4 1523943 EXHAUST, 340DA-01 ELBOW 4" MERC HORIZON PRT
- 5 1054295 TUBING, EXH GLASS 5"X 16.5"X 21DEG
- 6 1215573 EXHAUST, BRZ U/W EXH OUTLET GAS 99
- 7 1761551 THRU-HULL, SS EXHAUST 2.5" X-LONG
- 1831304 THRU-HULL, FLAP ONLY SS EXH 2.5-3" X-LONG
(PART OF 1761551)
- 8 124107 HOSE, EXHAUST 4" SW
- 256743 CLAMP, HOSE #72 3 1/8"-5" SS .505
- 9 1523950 EXHAUST, 340DA-01 ELBOW 4" MERC HORIZON STB
- 10 124115 HOSE, EXHAUST 5" SW
- 11 564682 HOSE, EXHAUST 2.5" HW
- 256727 CLAMP, HOSE #48 1 5/8"-3.5" SS .505
- 12 1784602 MUFFLER, 2"IN X 2"OUT 9"X 9" BASE
(GENERATOR 5.0 E KOHLER 120V/60HZ - GAS)
(GENERATOR 4.0 EF KOHLER 220V/50HZ - GAS)
(GENERATOR 5.0E-QD ONAN 120V/60HZ - DIESEL)
(GENERATOR 4.0E-QD ONAN 220V/50HZ - DIESEL)
- 160374 MUFFLER, DRAIN PLUG
(PART OF 1784602)
(GENERATOR 5.0 E KOHLER 120V/60HZ - GAS)
(GENERATOR 4.0 EF KOHLER 220V/50HZ - GAS)
(GENERATOR 5.0E-QD ONAN 120V/60HZ - DIESEL)
(GENERATOR 4.0E-QD ONAN 220V/50HZ - DIESEL)

- 13 913053 HOSE, EXHAUST 2" CORR HW
(GENERATOR 5.0 E KOHLER 120V/60HZ - GAS)
(GENERATOR 4.0 EF KOHLER 220V/50HZ - GAS)
(GENERATOR 5.0E-QD ONAN 120V/60HZ - DIESEL)
(GENERATOR 4.0E-QD ONAN 220V/50HZ - DIESEL)

LABELS

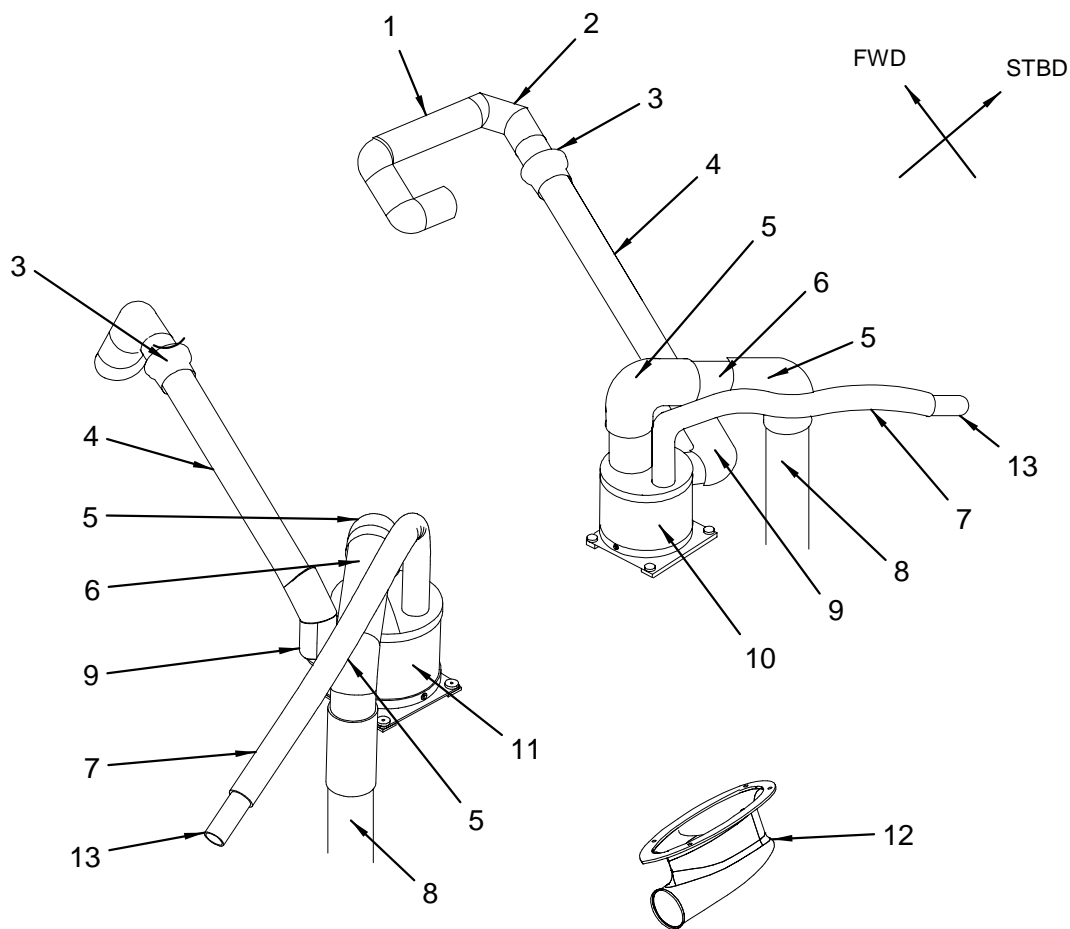
- 1744845 LABEL, EXHAUST OUTLET (LEXAN)

NOT SHOWN

- 1497452 TAPE, FOAM NEOPRENE W/3M 9828 3/8"TH X 2"W
- 1583046 ACC PART, MERC EXHAUST INT ELBOW KIT
- 1583384 ACC PART, MERC EXHAUST PIPE (Y PIPE)

EXHAUST SYSTEM (DIESEL ENGINE)

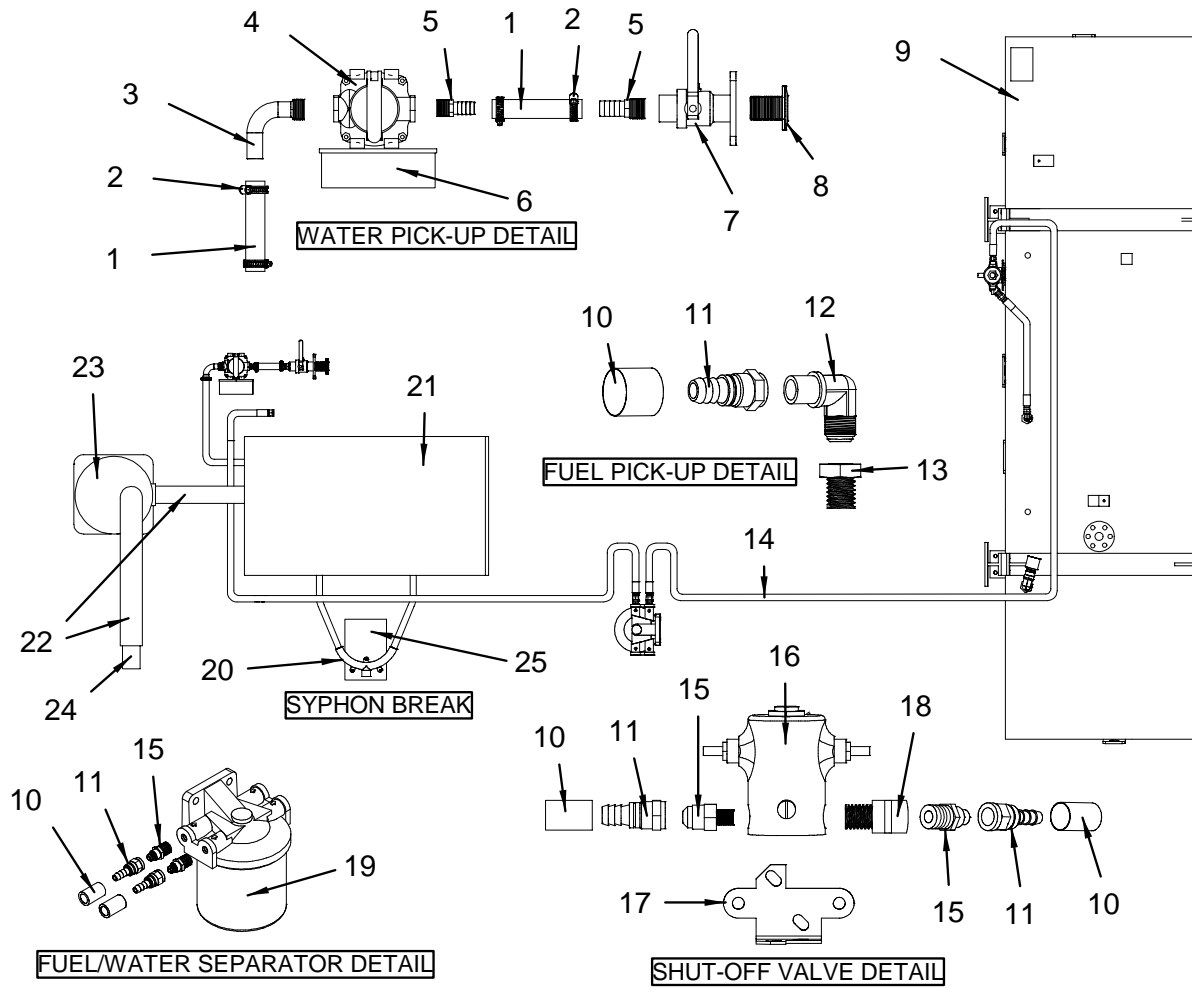
TVD - YANMAR 6LPSTP (T-306 PHP) INBOARD DIESEL



EXHAUST SYSTEM (DIESEL ENGINE)

- 1 124107 HOSE, EXHAUST 4" SW
- 256743 CLAMP, HOSE #72 3 1/8"-5" SS .505
- 2 1638725 EXHAUST, EL SS 4"X 90DEG
- 3 1687599 EXHAUST, HOSE HUMP 5"X 4" BLK HT W/CLAMPS
- 4 1688655 TUBING, EXH GLASS 5"X 36"
- 5 828277 EXHAUST, EL 6"X 90DEG RBR HT W/T-BOLT CLAMPS
- 6 1688373 EXHAUST, TUBE 6"X 16"
- 7 564682 HOSE, EXHAUST 2.5" HW
- 256727 CLAMP, HOSE #48 1 5/8"-3.5" SS .505
- 8 1727434 TUBING, EXH GLASS 6"X 27" 340DA-03 YNMR V/D
- 9 828277 EXHAUST, EL 6"X 90DEG RBR HT W/T-BOLT CLAMPS
- 256750 CLAMP, HOSE #88 4.25"-6" SS .505
- 10 1634765 MUFFLER, 360DA-02 V-DRIVE YANMAR PORT
- 11 1634765 MUFFLER, 360DA-02 V-DRIVE YANMAR PORT
- 12 1215581 EXHAUST, BRZ U/W EXH OUTLET DSL 99
- 13 760843 TUBING, EXH GLASS 2"X 9"

BILGE (GENERATOR SET-UP)



BILGE (GENERATOR SET-UP)**NOT SHOWN (continued)**

1	123810	HOSE, GEN PURPOSE 3/4"
2	256677	CLAMP, HOSE #12 1/2"-1.25" SS .505
3	169193	ELBOW, BRZ 90DEG 3/4"MPT X 3/4"BARB
4	1791584	STRAINER, BRZ WATER INTAKE 3/4" W/NYLON STRAP
	1851357	BRACKET, STRAINER MNT UPR (PART OF 1791584)
	1851358	BRACKET, STRAINER MNT LWR (PART OF 1791584)
	1404854	PLUG, PLASTIC STRAINER DRAIN (PART OF 1791584)
5	531426	ADAPTER, BRZ 3/4"MPT X 3/4"BARB
6	836114	BRACKET, PVC 1.5"X 1.5"X 6" 3/16"HOLES
7	518431	SEACOCK, BRZ 3/4" W/O TAILPIECE
8	640300	THRU-HULL, BRZ 3/4" W/O NUT
9	1764804	TANK, FUEL 340DA-04 113GL STB W/SNDR N/P
	1746913	SENDING UNIT, FUEL SENDER WEMA 25" (PART OF 1764804)
10	1887693	FERRULE, FUEL LINE 1/4" .575"ID X .625"OD
11	1887750	FITTING, BRASS BARB/NUT 1/4" FEMALE SAE
12	629253	ELBOW, BRASS 90DEG 1/4"SAE X 1/4"MPT
13	791392	BUSHING, SS THD 1/4"FPT X 3/8"MPT
14	1884010	HOSE, FUEL 1/4" TYPE A CLASS 1-15 ISO/CE/CARB
15	162750	ADAPTER, BRASS 1/4"MPT X 1/4"SAE
16	1791155	VALVE, BRASS FUEL SHUT-OFF 12V SER7000 10W
17	306936	BRACKET, FUEL SHUT-OFF VALVE (SKINNER-ELEC)
18	1341957	ELBOW, BRASS 90DEG STREET 1/4"MPT X 1/4"FPT
19	148171	FILTER, FUEL/WATER SEPARATOR KIT
20	144675	ADAPTER, BRASS 1/2"MPT X 5/8"BARB
	1376037	ELBOW, BRASS 90DEG 1/2"MPT X 1/2"MPT
	124594	HOSE, WATER 5/8" HVY DTY (HEATER)
	1200112	PANEL, P/B 340DA-99 GEN COOLANT BOTTLE
21	1803671	GENERATOR, 5ECD GAS KOHLER 120V/60 SCRFT
	1833211	GENERATOR, 4EFCO GAS KOHLER 220V/50 SCRFT
	1727808	GENERATOR, 5.0 KW DSL ONAN 120V/60
22	913053	HOSE, EXHAUST 2" CORR HW
	417717	CLAMP, HOSE #36 7/8"-2.75" SS .505
23	1784602	MUFFLER, 2"IN X 2"OUT 9"X 9" BASE (GENERATOR 5.0 E KOHLER 120V/60HZ - GAS) (GENERATOR 4.0 EF KOHLER 220V/50HZ - GAS) (GENERATOR 5.0E-QD ONAN 120V/60HZ - DIESEL) (GENERATOR 4.0E-QD ONAN 220V/50HZ - DIESEL)
	160374	MUFFLER, DRAIN PLUG (PART OF 1784602)
24	1769255	THRU-HULL, SS EXHAUST 2" W/SS LIP
	1835350	THRU-HULL, FLAP ONLY SS EXH 2" X-LONG (PART OF 1769255)
25	1749552	SYPHON BREAK KIT, GEN EXH ONAN

1887694	FERRULE, FUEL LINE 3/8" .718"ID X .768"OD (GENERATOR 5.0E-QD ONAN 120V/60HZ - DIESEL) (GENERATOR 4.0E-QD ONAN 220V/50HZ - DIESEL)
1887747	FITTING, BRASS BARB/NUT 3/8" FEMALE SAE (GENERATOR 5.0E-QD ONAN 120V/60HZ - DIESEL) (GENERATOR 4.0E-QD ONAN 220V/50HZ - DIESEL)

HARNESSES

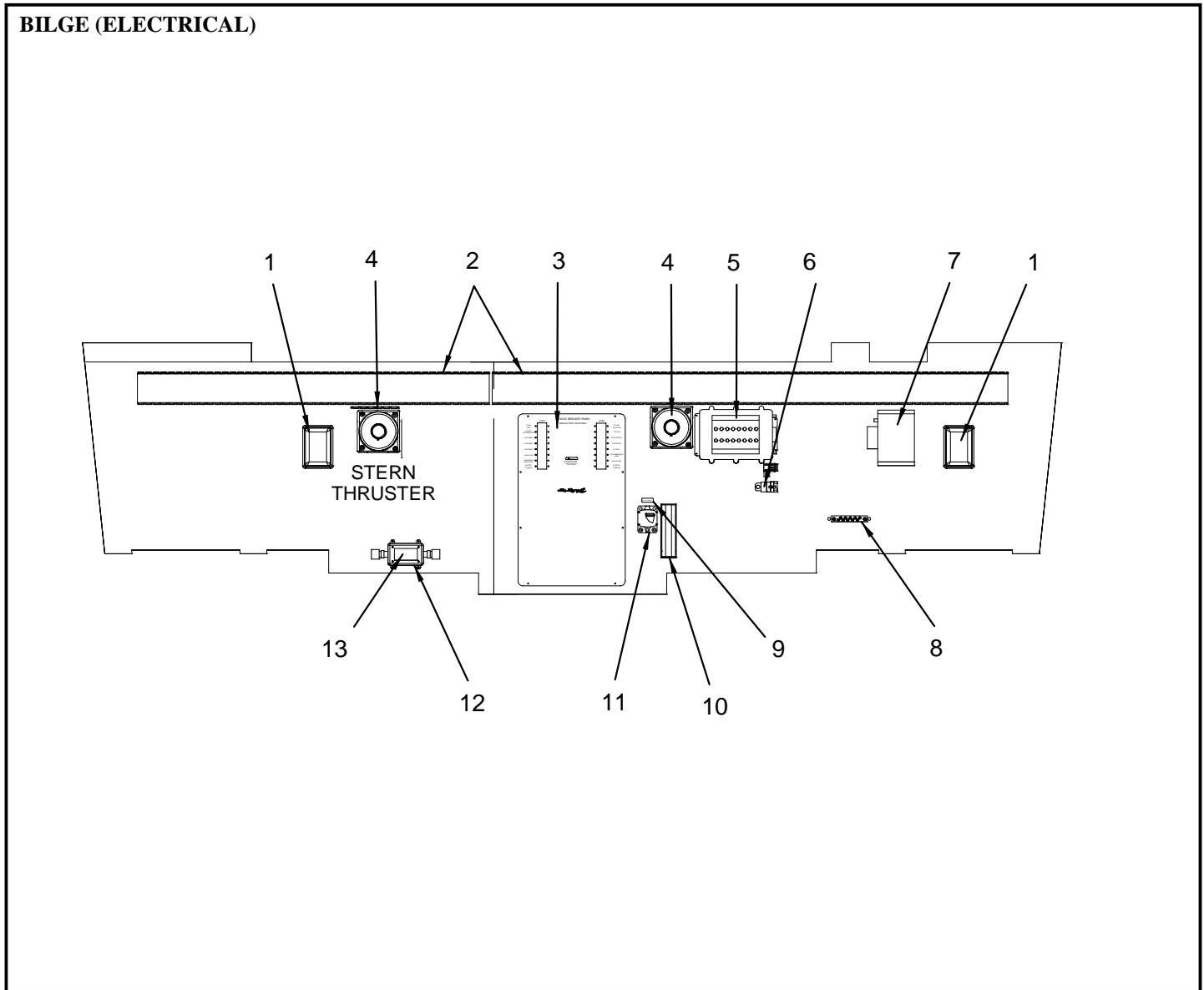
1717319	HARNESSES, 340DA-03 ONAN DSL GEN
---------	----------------------------------

LABELS

1743616	LABEL, UNPLUG SHORE POWER WARNING
1831528	LABEL, GENERATOR RESET NOTICE

NOT SHOWN

140426	ELBOW, BRASS 90DEG STREET 3/8"
140467	ELBOW, BRASS 90DEG 3/8"SAE X 1/4"MPT (GENERATOR 5.0E-QD ONAN 120V/60HZ - DIESEL) (GENERATOR 4.0E-QD ONAN 220V/50HZ - DIESEL)
140475	ELBOW, BRASS 90DEG 3/8"SAE X 1/8"MPT (GENERATOR 5.0E-QD ONAN 120V/60HZ - DIESEL) (GENERATOR 4.0E-QD ONAN 220V/50HZ - DIESEL)
1727807	ELBOW, BRZ 90DEG 1/2"MPT X 5/8"BARB (GENERATOR 5.0E-QD ONAN 120V/60HZ - DIESEL) (GENERATOR 4.0E-QD ONAN 220V/50HZ - DIESEL)
140483	ADAPTER, BRASS 1/4"MPT X 3/8"SAE (GENERATOR 5.0E-QD ONAN 120V/60HZ - DIESEL) (GENERATOR 4.0E-QD ONAN 220V/50HZ - DIESEL)
144683	ADAPTER, BRASS 1/2"MPT X 3/4"BARB (GENERATOR 5.0E-QD ONAN 120V/60HZ - DIESEL) (GENERATOR 4.0E-QD ONAN 220V/50HZ - DIESEL)
288407	ADAPTER, BRASS 1/2"FPT X 3/8"MPT (GENERATOR 5.0E-QD ONAN 120V/60HZ - DIESEL) (GENERATOR 4.0E-QD ONAN 220V/50HZ - DIESEL)
169524	ADAPTER, BRASS 3/8"MPT X 3/8"SAE (GENERATOR 5.0E-QD ONAN 120V/60HZ - DIESEL) (GENERATOR 4.0E-QD ONAN 220V/50HZ - DIESEL)
171066	BUSHING, BRZ 1/2"FPT X 1"MPT (GENERATOR 5.0E-QD ONAN 120V/60HZ - DIESEL) (GENERATOR 4.0E-QD ONAN 220V/50HZ - DIESEL)
254904	HOSE, WATER INTAKE 5/8" WIRE REINFORCED (GENERATOR 5.0E-QD ONAN 120V/60HZ - DIESEL) (GENERATOR 4.0E-QD ONAN 220V/50HZ - DIESEL)



BILGE (ELECTRICAL)

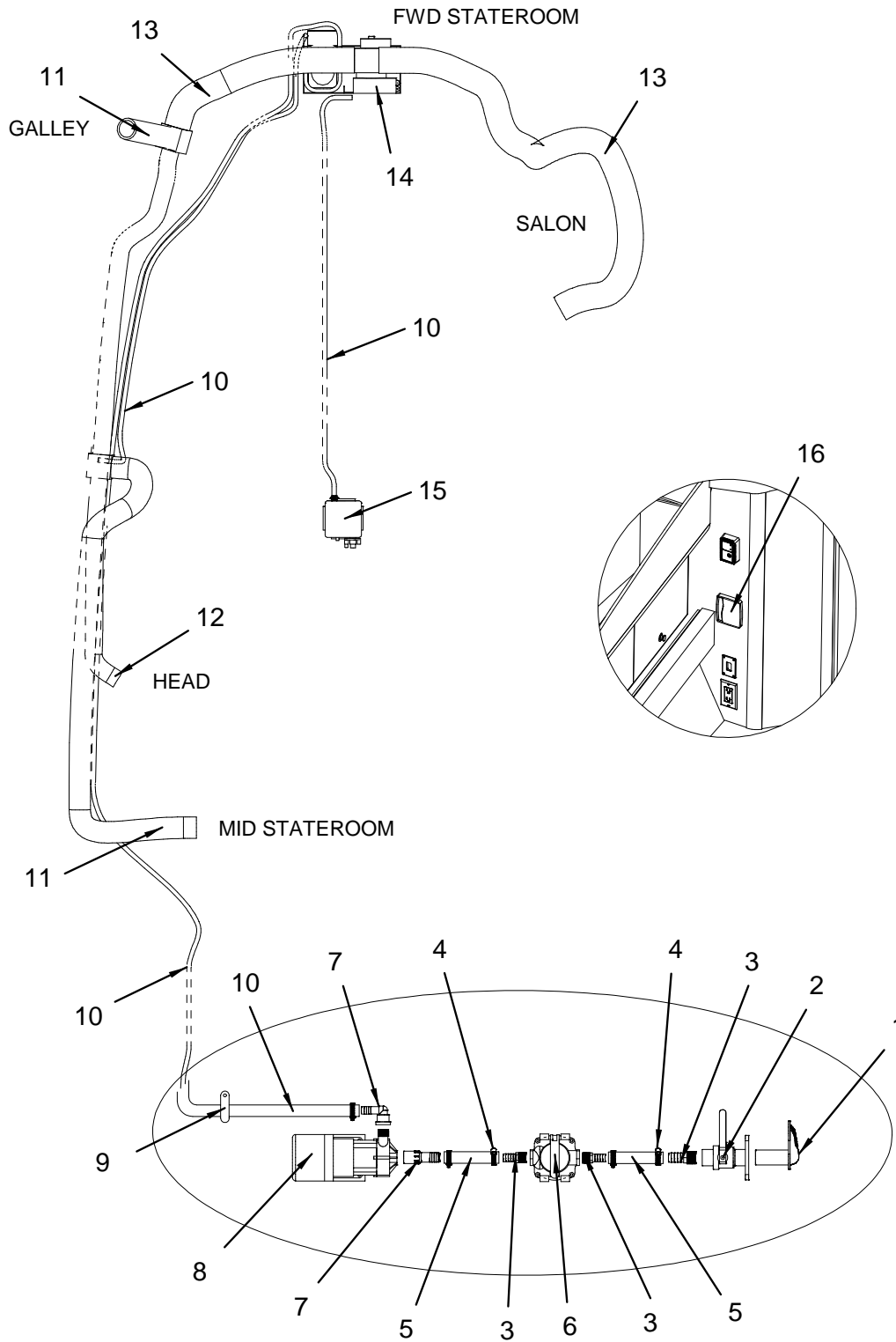
- 1 822668 LIGHT, SGL DOME FLUSH MT PLAS WHT W/O SWITCH
- 604801 BULB, DOME LIGHT 12V
(PART OF 822668)
- 2 1051705 COVER BASE, PLAS DUCT WIRING CVR 4"X 6"WHT
- 1248335 COVER BASE, PLAS DUCT WIRING 4"X 4"X 6' WHT
- 3 1690750 BOX, T/F 340DA-03 MAIN DC BRKR PNL
- 1686597 PANEL, 340DA-03 MAIN DC BRKR
- 1686609 PANEL, BLANK:340DA-03 MAIN DC BRKR
(BLANK PANEL FOR 1686597)
- 1690040 PLATE, ALUM 340DA-03 MAIN DC BRKR BOX BCKNG
- 1690173 BLOCK, HDPE 3/4"X 1"X 4" EMERG START SOLENOID
- 1690175 BUSS BAR, LATCHING SOLENOID 5"X 1"NCKL PLTD
- 1690189 BRACKET, PVC 1"X 1"X 5" LATCHING SOLENOID GRY
- 1690833 SOLENOID, EMERG START 12V 100AMP
- 644609 SOLENOID, MAGNET LATCHING 12V 100A/500A W/HDW
(WINDLASS SOLENOID IN BILGE BEHIND DC PANEL)
- 1888412 RESISTOR, VLTG SURGE BATT SOLENOID SUPPRESSOR
(ADDED TO BATTERY SOLENOID TO CONTROL VOLTAGE SURGE)
- 651869 SOLENOID, MAGNET LATCHING LEAD ONLY
- 829432 BUSS BAR, DBL POST 5/16"
- 4 136150 SWITCH, BATTERY ON/OFF DSL W/DISC
- 5 1846566 MODULE, ELEC INTERFACE AFT S-CRUISER 07
- 6 1817495 RELAY, 120VAC 30 AMP SPDT
- 583906 RELAY, 240VAC 50/60 HZ 20 AMP DPDT
- 7 984682 MODULE, SYS MON INTERFACE (LCD)
(SYSTEMS MONITOR PANEL)

- 8 630871 BUSS BAR, MAIN DC GROUND (3-STUD)
(PREMIUM COCKPIT SOUND SYSTEM - 12 VOLT)
- 9 1745518 LABEL, WINDLASS BRKR
- 10 987446 FUSE BLOCK, BLADE TYPE ANL350/500
(BOW THRUSTER)
(BOW AND STERN THRUSTER - W/ V-DRIVES ONLY)
- 11 1185099 BRKR, SURF MNT THERMAL 100AMP MANUAL RESET
- 12 144899 BOX, PVC SWITCH BOX
- 144907 COVER PLATE, SWITCH BOX BLUE PVC
- 13 1743616 LABEL, UNPLUG SHORE POWER WARNING

HARNESSES

- 1794818 HARNESS, 340SDA-05 BILGE DC
- 1794827 HARNESS, 340SDA-05 BILGE AC 120VAC
- 1794829 HARNESS, 340SDA-05 BILGE AC 220VAC
- 1792009 HARNESS, 340SDA-05 ENG V/D S-CRFT RV1
- 1792010 HARNESS, 340SDA-05 ENG S/D S-CRFT RV1
- 1794832 HARNESS, 340SDA-05 ENG YANMAR
- 1505908 HARNESS, 280DA/290BR/SS-01 TWIN ENG IGN ESS
- 1686613 HARNESS, 340DA-03 V/D BONDING
- 1686614 HARNESS, 340DA-03 S/D BONDING
- 1792489 HARNESS, 340SDA-05 POWER TRIM RV2
- 1807805 HARNESS, 340SDA-06 GEN KOHLER GAS LOWCO 120V

A/C SYSTEM



A/C SYSTEM

- 1 531574 PICK-UP, BRZ WATER INTAKE 3/4"
- 2 518431 SEACOCK, BRZ 3/4" W/O TAILPIECE
- 3 531426 ADAPTER, BRZ 3/4"MPT X 3/4" BARB
- 4 256677 CLAMP, HOSE #12 1/2"-1.25" SS .505
- 5 123810 HOSE, GEN PURPOSE 3/4"
- 6 1791584 STRAINER, BRZ WATER INTAKE 3/4" W/NYLON STRAP
- 1404854 PLUG, PLASTIC STRAINER DRAIN
(PART OF 1791584)
- 7 948273 A/C COMP, HOSE FITTINGS FOR PMP500
- 8 948265 A/C COMP, PUMP 500GPH 115V 50/60HZ WTR COOL
- 948349 A/C COMP, PUMP 500GPH 240V 50HZ WTR COOL
- 9 123695 CLAMP, LOOM VINYL DIP #12 3/4"
- 10 1058957 HOSE, WATER A/C WHT 5/8"
- 11 639856 HOSE, AC/DUCT INSULATED 4" X 10'
- 1727439 A/C COMP, PLENUM W/3 7/8"IN OPEN FACE 8X5X3DP
- 12 720169 HOSE, AC/DUCT 3"
- 1322940 A/C COMP, GRILL 3" BLK W/DBL LVR
- 1719358 A/C COMP, PLENUM W/41 4T 3R W/BRKT
- 13 266528 HOSE, AC/DUCT INSULATED 5"
- 1613934 A/C COMP, 360DA-02 PLENUM DISCHARGE FWD/AFT
- 14 1759843 A/C COMP, COMPACT 12K SMXII 115V 60HZ R22
- 1769425 A/C COMP, COMPACT 12K SMXII 220V 50HZ GG
- 1762243 A/C COMP, PLENUM 1012 W/5R 5L-6X6X6
- 1591056 A/C COMP, PLENUM 300DA-02 5"X 4"X 4"
- 1048834 A/C COMP, HOSE RING 4" RND PLAS
- 315507 INSULATION, VIBRACON 1"
- 15 1849858 SHOWER, SUMP ASSY 12V 800GPH W/MERC FREE SW
- 1751884 LABEL, 1/2"X 1.5" A/C CONDENSATE
- 16 1805241 A/C COMP, CONTROLLER SMXHT DISPLAY DX-GREY
(LOCATED IN FORWARD STATEROOM)
- 1818834 COVER PLATE, IDEA-SERIES 3-GANG BRSH NCK SQR
(LOCATED IN FORWARD STATEROOM)

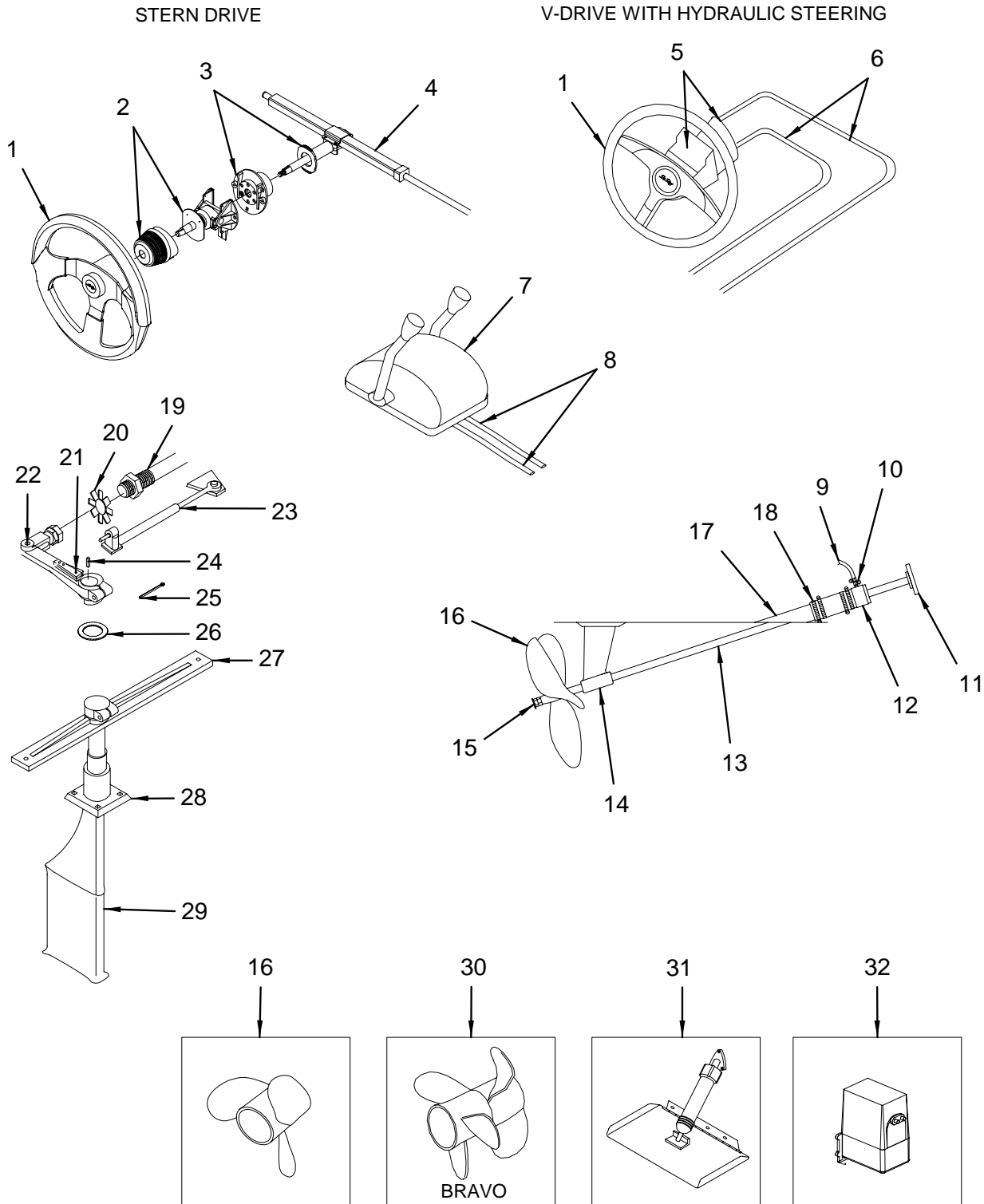
BRACKETS

- 836114 BRACKET, PVC 1.5"X 1.5"X 6" 3/16"HOLES
(BRACKET FOR A/C COMP, PUMP)

NOT SHOWN

- 1604263 A/C COMP, CABLE INTERCONNECT 15'

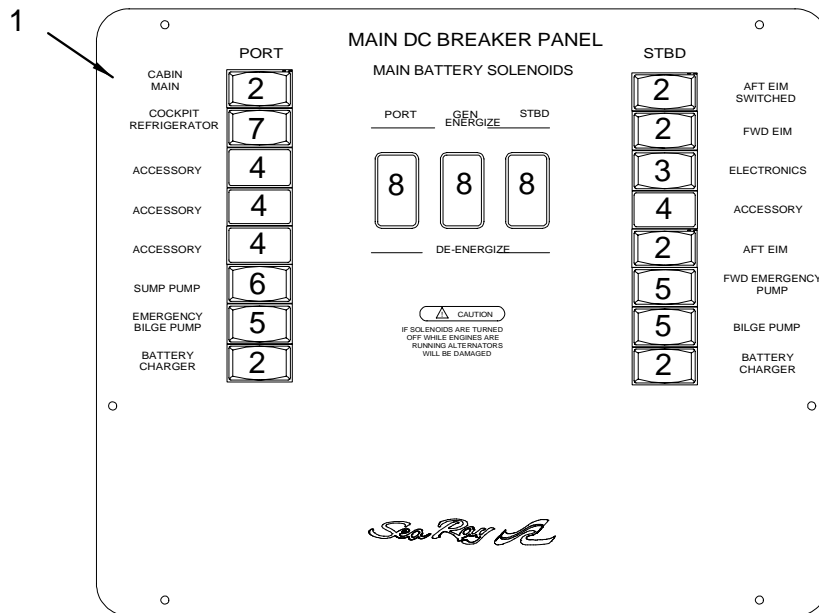
STEERING SYSTEM



STEERING SYSTEM

1	1526292	STEERING WHEEL, 14.25" SPCRUIS MAHOG W/BLK	27	1125194	RUDDER SUPPORTS, STRUT W/STEERING RAM MNT
	1792417	PAD, STEER WHL CTR FOR #1526292		161182	RUDDER SUPPORTS, 440AC/390EC
	1683795	STEERING WHEEL, RING FOR 1526292/1738115 (PART OF 1526292)	28	1683551	STUFFING BOX, UHMW 1.5"ID 4.75"HOSE
	1747682	EMBLEM, S/R EMB SCRIPT WHEEL CHR-BEZEL 1.75"		803718	SEAL KIT, SPARE SHAFT STUFFING BOX 1.5"W/TOOL (PART OF 1683551)
2	1823728	STEERING, PERFORMANCE TILT PRO-SERIES MECH (HULL# 1296 -> UP)		1691383	HOSE, SHAFT LOG 2.5"X2.625"X4.75"BLUE SILICON (PART OF 1683551)
	662510	STEERING, PERFORMANCE TILT MECHANISM (HULL# 1201 -> 1295)		1733930	CAP, FRONT SEAL SHAFT STUFF BOX 1.5" & 1.75" (PART OF 1683551)
	126987	STEERING, MOUNT 90 DEG BEZEL ONLY (HULL# 1201 -> 1295)(PART OF 662510)		1619436	STUFFING BOX, UHMW 1.75"ID 3.5"HOSE DUAL SHRT
	958439	STEERING, BELLOWS TILT STEERING BLK (HULL# 1201 -> 1295)(PART OF 662510)		1687169	HOSE, SHAFT LOG 3"X 3.5"X 6.5"BLUE SILICONE (PART OF 1619436)
3	1092246	STEERING, TILT HELM BACK-MNT		587147	STUFFING BOX, RUDDER W/PACK 1.5"DIA
4	1091891	STEERING, BACK MNT RACK/CABLE 21.0' ASSY		213769	STUFFING BOX, PACKING ONLY 1/4" "STERNLON" (PART OF 587147)
5	317032	STEERING, HELM PUMP SEA STAR I TILT	29	604850	RUDDER, 310SB/350EB
6	1762738	HOSE KIT, 320/340SDA-04 HYD .313ID 24'		1733142	BRACKET, SS RDR INDCATR W/SCRFT KIT
7	1883502	CONTROL, DTS TS/TS W/CAN TRACKPAD	30	708214	PROP, 15.25"X 26" SS BR3 LH
	1051689	CONTROL, THRTL/SHFT W/SS HANDLES W/GOLD KNOBS		708222	PROP, 14"X 26" SS BR3 RH
	1762415	BEZEL, DOME POLISHED SS FOR MRP#1051689 (PART OF 1051689)	31	725937	TRIM TAB, ASSY 12X18 SGL ACT
	907063	KNOB, CONTROL GOLD SMOOTH (PART OF 1051689)	32	268508	TRIM TAB, HYD PUMP KIT W/3"NIPPLE
	907097	KNOB, CONTROL GOLD GROOVED W/RED ID (PART OF 1051689)	LABELS		
8	1881784	CABLE, CONTROL MERC SAE/SAE ENG END PLAT 18'		1743530	LABEL, SHIFT (LEXAN)
	1881785	CABLE, CONTROL MERC SAE/SAE ENG END PLAT 20'		1743531	LABEL, THROTTLE (LEXAN)
9	1884011	HOSE, FUEL 3/8" TYPE A CLASS 1-15 ISO/CE/CARB	NOT SHOWN		
10	123398	CLAMP, HOSE #06M 5/16"-7/8"SS MINI		161349	SHIM, BRASS 2"X 2"X 3/16"
11	1440742	NUT, JAM 1 1/8" X 12 HVY NYLOCK ZINC PLATED (PART OF 891522)		841825	SHIM, PVC TRIM TAB PUMP BLK
	1883554	KEY STOCK, COUPL 3/8"X 2 3/8" SS W/PIN (HAS A PIN TO HELP LOCK IN PLACE)		1073758	CONTROL, NEUTRAL SAFETY SWITCH
	991265	COUPLING, 1.5" HURTH REVERSED TAPPER (PART OF 891522)		1895423	CONTROL, DUAL IGN KIT
	1690748	NUT, JAM 1.25" X 12 HVY NYLOCK ZINC PLATED (PART OF 1618479)		999284	STEERING, FITTING ELBOW TUBE TO 1/4"MPT (POWER STEERING - ASSISTED - V-DRIVES ONLY)
	1690749	KEY STOCK, COUPL 7/16"X 3.25" SS (PART OF 1618479)		1776219	STEERING HOSE, 5/16"X 12"W/FITTINGS (SEASTAR) (POWER STEERING - ASSISTED - V-DRIVES ONLY)
12	803718	SEAL KIT, SPARE SHAFT STUFFING BOX 1.5"W/TOOL (PART OF 1683551)		1765809	STEERING HOSE, 5/16"X 16"W/FITTINGS (SEASTAR) (POWER STEERING - ASSISTED - V-DRIVES ONLY)
	803734	SEAL KIT, SPARE SHAFT STUFFING BOX 1.75"W/TOOL		1771726	STEERING, PUMP SEA STAR PWR ASSIST 12V (POWER STEERING - ASSISTED - V-DRIVES ONLY)
13	981522	SHAFT, SS 1.5"X 73.19" AQ19 W/COUPLING (SEE REF# 11 & 15 FOR PARTS OF PART)			
	1618479	SHAFT, SS 1.75"X 74.25" AQ22 W/COUPL (SEE REF# 11 & 15 FOR PARTS OF PART)			
	1872604	COLLAR, SS SHAFT 1.5"			
	1880681	COLLAR, SS SHAFT 1.75"			
14	1603547	STRUT, W/BEARING 1.5"W/1/2"MNT HOLES 320DA-02			
	1690532	STRUT, W/BEARING 1.75"W/1/2"MNT HOLE 340DA-03			
15	1440718	NUT, HEX 1 1/8"X 7 BRZ HVY FULL (PART OF 891522)			
	1440726	NUT, HEX 1 1/8"X 7 BRZ HVY JAM (PART OF 891522)			
	1690740	PIN, COTTER PIN 5/32"X 1 3/4" SS (PART OF 891522)			
	1690739	KEY STOCK, PROP 3/8"X 3 3/8" BRNZ (PART OF 891522)			
	1690744	NUT, HEX 1.25" X 7 BRZ HVY FULL (PART OF 1618479)			
	1690745	NUT, HEX 1.25" X 7 BRZ HVY JAM (PART OF 1618479)			
	1690746	PIN, COTTER PIN 3/16"X 1.75" SS (PART OF 1618479)			
	1690747	KEY STOCK, PROP 7/16"X 4 1/8" BRNZ SEA RAY (PART OF 1618479)			
16	1887094	PROP, 18"X 21.5"X 4.85"RH #4C "Z" 1.5"B			
	1887177	PROP, 18"X 22"X 4.85"LH #4C "Z" 1.5"B			
	1752173	PROP, 18"X 22"X 4.85"LH #4C "Z" 1.75"B			
	1752174	PROP, 18"X 22"X 4.85" "Z" RH #4C 1.75"B			
17	1878560	TUBING, SHAFT LOG 2 5/8"X 16.25"L W/22DEG			
	1618305	TUBING, SHAFT LOG 3 1/2"X 18.08"W/22DEG L			
18	256701	CLAMP, HOSE #28 1 5/16"-2.25"SS .505			
19	1684347	TIE BAR, RUDDER 36.75"HYD STER W/TAB 340DA-03			
	142083	TIE BAR, MERC V-8 TYPE 30"-46"			
	127456	TIE BAR, VOLVO TYPE			
20	622910	WASHER, TIE BAR LOCK WASHER 1" SS			
21	161232	RUDDER ARM, 1.5"			
22	143222	RUDDER CLEVIS, 4"LONG X 1"-14 FPT			
23	127068	STEERING, HYD CYLINDER BA135-7ATM I/B			
24	144394	KEY STOCK, RUDDER 1/4"X 1/4"X 12" BRASS			
25	144402	PIN, COTTER PIN 5/32"X 2" SS			
26	161257	WASHER, RUDDER WASHER 1.5"			

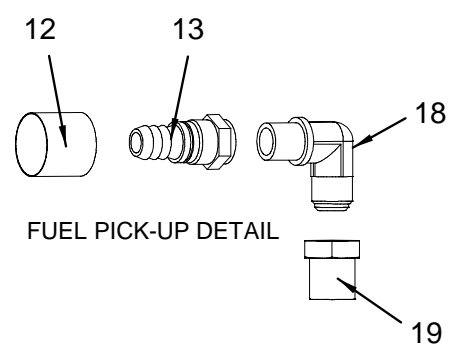
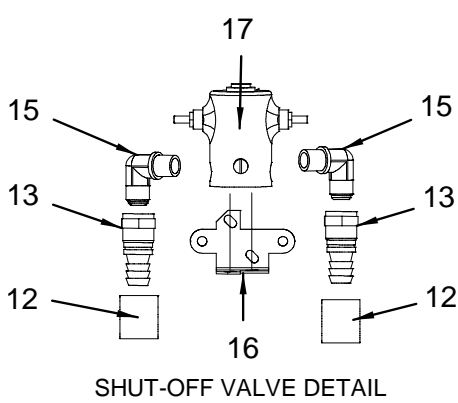
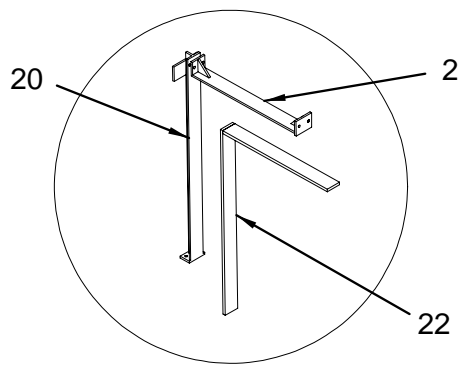
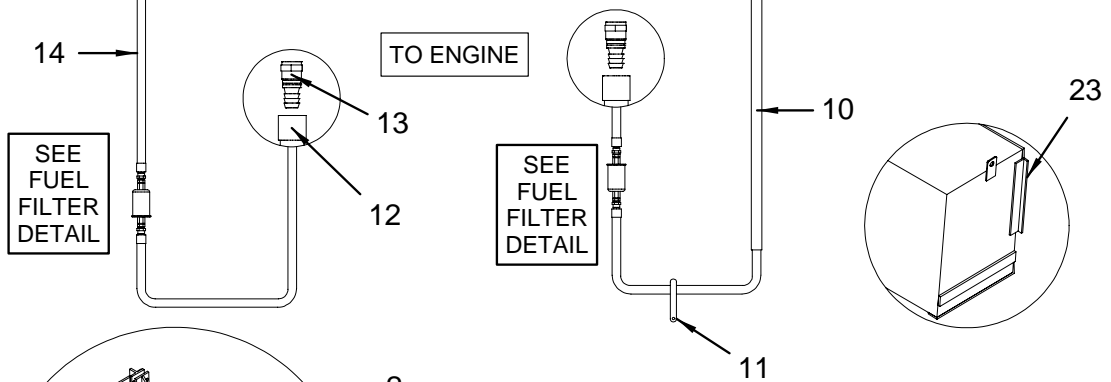
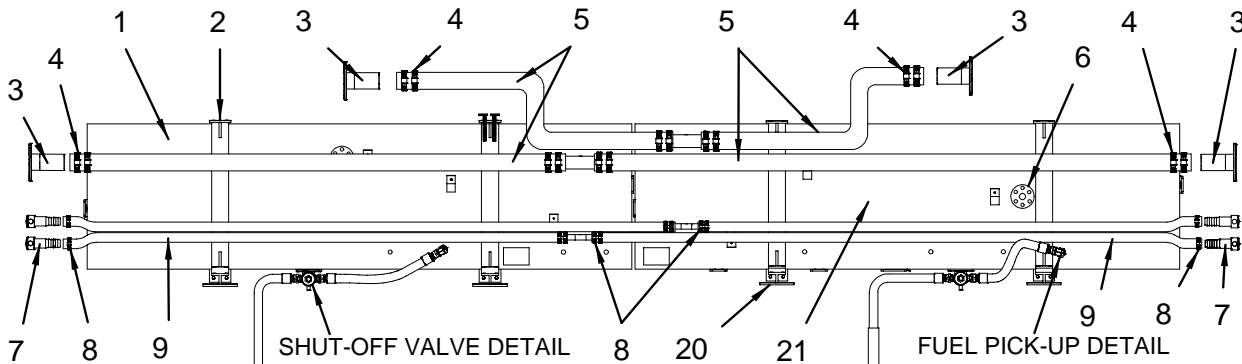
MAIN DC BREAKER PANEL



MAIN DC BREAKER PANEL

- 1 1686597 PANEL, 340DA-03 MAIN DC BRKR
- 1686609 PANEL, BLANK:340DA-03 MAIN DC BRKR
(BLANK PANEL FOR 1686597)
- 2 1181775 BRKR/ROCK, SGL-POLE MNL RSET DC IGNPRT 50A YL
- 3 1412006 BRKR/ROCK, SGL-POLE MNL RSET DC IGNPRT 30A YL
- 4 432872 PLUG, BRKR/ROCK
- 5 1181742 BRKR/ROCK, SGL-POLE MNL RSET DC IGNPRT 10A YL
- 6 1181726 BRKR/ROCK, SGL-POLE MNL RSET DC IGNPRT 5A YLW
- 7 1181759 BRKR/ROCK, SGL-POLE MNL RSET DC IGNPRT 15A YL
- 8 681494 BODY, ROCK SW DPDT MOM 12V W/INDEP INC LAMP
- 1199421 ACTUATOR, ROCK VERT BLK W/BLUE LENS BATT SYS

FUEL SYSTEM



FUEL SYSTEM

- 1 1764804 TANK, FUEL 340DA-04 113GL STB W/SNDR N/P
(SEE REF# 6 FOR PARTS OF PART)
- 2 1686594 BRACKET, 340DA-03 FUEL TANK TOP STRAP
- 3 1109313 DECK PLATE, GAS SS 1.5" RED CLR-CODE
- 1184746 DECK PLATE, DSL SS 2"W/1.5"OUTLET GRN CLR-COD
- 522557 DECK PLATE, CAP W/CHAIN GAS/WATER
(PART OF 1109313)
- 522599 KEY, DECK PLATE CAP
(PART OF 1109313 & 1184746)
- 4 256701 CLAMP, HOSE #28 1 5/16"-2.25"SS .505
- 5 123745 HOSE, FUEL 1.5" TYPE A CLASS 2
- 6 1746913 SENDING UNIT, FUEL SENDER WEMA 25"
(PART OF 1764803 & 1764804)
(WARRANTY REFERENCE ONLY)
- 1881623 SENDING UNIT, FUEL SENDER ISSPRO ELEC 25"
(PART OF 1764803 & 1764804)
(WARRANTY REFERENCE ONLY)
- 1846973 SENDING UNIT, FUEL SENDER ULTSONC GAS 25.5"
(SERVICE REPLACEMENT ONLY)
- 1849589 HARNESS, FUEL SNDNG UNIT ULTSONC 15'
(SERVICE REPLACEMENT ONLY)
- 7 1618651 VENT, FUEL/WATER SS 5/8" 90DEG FLSH SHALLOW
- 8 256677 CLAMP, HOSE #12 1/2"-1.25" SS .505
- 9 123778 HOSE, FUEL 5/8" TYPE A CLASS 1 ISO/CE
- 10 1501865 HOSE, CONDUIT/SPLIT 1.25" FLAME RETARDANT
- 11 123661 CLAMP, LOOM VINYL DIP 1"
- 12 1887695 FERRULE, FUEL LINE 1/2" .850"ID X .90"OD
- 13 1887748 FITTING, BRASS BARB/NUT 1/2" FEMALE SAE
- 14 1884012 HOSE, FUEL 1/2" TYPE A CLASS 1-15 ISO/CE/CARB
- 15 168955 ELBOW, BRASS 90DEG 1/4"MPT X 1/2"SAE
- 16 306936 BRACKET, FUEL SHUT-OFF VALVE (SKINNER-ELEC)
- 17 1791155 VALVE, BRASS FUEL SHUT-OFF 12V SER7000 10W
- 1687181 BOOT, PVC TERM INSUL CAP(485N9V02)RED
- 140046 VALVE, FUEL SHUT OFF DSL 1/4"
(GENERATOR 5.0E-QD ONAN 120V/60HZ - DIESEL)
(GENERATOR 4.0E-QD ONAN 220V/50HZ - DIESEL)
- 18 169748 ELBOW, BRASS 90DEG 1/2"SAE X 3/8"MPT
- 19 184077 BUSHING, SS THD 3/8"FPT X 1/2"MPT
- 20 1686595 BRACKET, 340DA-03 FUEL TANK AFT STRAP
- 21 1764803 TANK, FUEL 340DA-04 113GL PRT W/SNDR N/P
(SEE REF# 6 FOR PARTS OF PART)
- 22 1497452 TAPE, FOAM NEOPRENE W/3M 9828 3/8"TH X 2"W
- 23 836080 BRACKET, PVC 1.5"X 1.5"X 12" 1/4"HOLES
- 24 123604 CLAMP, LOOM VINYL DIP 2.5"
- 25 1717325 ACC PART, MERC INLINE FILTER KIT
- 1524065 FILTER, REMOTE FUEL DSL (500MASR)
(GENERATOR 5.0E-QD ONAN 120V/60HZ - DIESEL)
(GENERATOR 4.0E-QD ONAN 220V/50HZ - DIESEL)
(T-VOLVO KAD 300 EDC/DP (T-275 PHP) STERN DR.)
(T-D6-310DPH (T-298 PHP) VOLVO DSL STERN DR.)
- 1524073 FILTER, REMOTE FUEL DSL (900MASR)

HARNESSES

- 1839412 HARNESS, FUEL ADAPTER 3 PIN TO NW 6 PIN
- 1848258 HARNESS, FUEL ADPTR 3 PIN TO 6PIN W/PADDL WHL

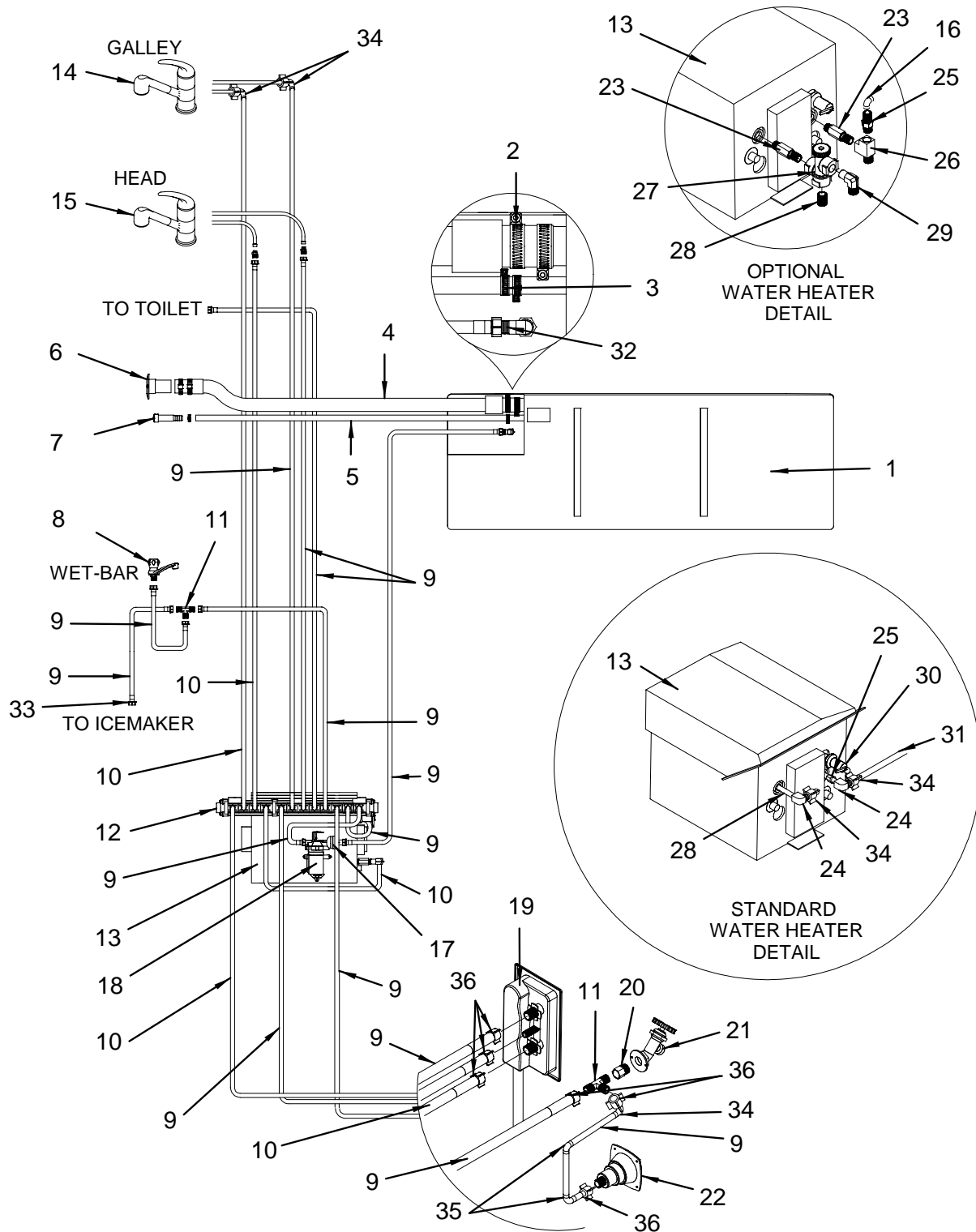
LABELS

- 1745513 LABEL, WARNING LEAKING FUEL

NOT SHOWN

- 468934 TAPE, VAC PAK WHT (4"X 36YDS) PRESERVATION
- 629253 ELBOW, BRASS 90DEG 1/4"SAE X 1/4"MPT
- 1687213 VALVE, BRASS FUEL 1/2"MPT X 1/2"FPT
- 1317569 HOSE, CORR 1.75" EXH HW
- 1686552 ELBOW, SS 90DEG 1/2"MPT X 1/2"FPT
- 169821 ADAPTER, BRASS 1/2"MPT X 1/2"SAE
- 169920 ADAPTER, BRASS 1/4"MPT X 1/2"SAE
- 288415 NIPPLE, BRASS 1/2"MPT X 1.5"
- 169102 ELBOW, BRASS 90DEG 1/2"MPT X 1/2"SAE

WATER SYSTEM



WATER SYSTEM

1	1685911	TANK, WATER 340DA-03 - 45GAL	15	1853914	FAUCET/SHOWER, HOSE WASHER ONLY (HULL# 1201 -> 1208)(PART OF 1772520)	
	1799574	TUBE, PICK-UP WATER 340DA-03 45GAL (PART OF 1685911)		1853915	FAUCET/SHOWER, HANGER ONLY (HULL# 1201 -> 1208)(PART OF 1772520)	
	1197839	SENDING UNIT, WATER 1/4"NPT X 7.5"		1853916	FAUCET/SHOWER, BRASS HOT/COLD VALVE ONLY (HULL# 1201 -> 1208)(PART OF 1772520)	
2	256693	CLAMP, HOSE #24 1"-2" SS .505		1853917	FAUCET/SHOWER, HDWR KIT WWTS (HULL# 1201 -> 1208)(PART OF 1772520)	
3	256677	CLAMP, HOSE #12 1/2"-1.25" SS .505		16	1689320	ELBOW, UNIFLEX PLAS 1/2"MPT X 1/2"FPT SWVL
4	490219	HOSE, CORR SAN/WATER-FILL 1.5" RH		17	1797944	FILTER, IN-LINE WATER 1/2"MPSM X 1/2"NPSF
5	124719	HOSE, SAN/CHEMICAL TDX 5/8"		18	1903842	PUMP, FRESHWATER 3.0GPM SHURFLO SOFT BASE (HULL# 1277 -> UP)
6	1109321	DECK PLATE, WATER SS BLUE CLR-CODE		1480433	PUMP, FRESH WATER SHURFLO 2.8GPM IMP SOFT MNT (HULL# 1201 -> 1276)	
	522581	DECK PLATE, CAP W/CHAIN (PART OF 1109321)		19	736702	FAUCET, WASHDOWN BOX W/MIXER (AQUATIK) VERT
	522599	KEY, DECK PLATE CAP (PART OF 1109321)		1848792	FAUCET, WASHDOWN RUBBER SHOWERHEAD HLDR (PART OF 736702)	
7	1618651	VENT, FUEL/WATER SS 5/8" 90DEG FLSH SHALLOW		1302579	FAUCET, WASHDOWN SHOWER UNIT ONLY (AQUATIK) (PART OF 736702)	
8	1718686	FAUCET, SCANDVIK CKPT ENT CTR CHR		1302587	FAUCET, WASHDOWN DOOR ONLY (AQUATIK) (PART OF 736702)	
	1875622	FAUCET, KNOB CAP ONLY CKPT ENT/CTR CHR (PART OF 1718686)		1742646	LATCH, WASHDOWN DOOR (AQUATIK) (PART OF 736702)	
	1875623	FAUCET, RING ONLY CKPT ENT/CTR CHR (PART OF 1718686)		1302595	FAUCET, WASHDOWN HOSE W/FPT ONLY(AQUATIK) (PART OF 736702)	
9	1789735	TUBING, ZURN 1/2"X 1000' BLUE		1302603	FAUCET, WASHDOWN SPRAYER HEAD ONLY(AQUATIK) (PART OF 736702)	
10	1789751	TUBING, ZURN 1/2"X 1000' RED		1302504	FAUCET, CARTRIDGE CERAMIC 90DEG RH (PART OF 736702)	
11	1689292	TEE, UNIFLEX PLAS 1/2" MPT		1298710	FAUCET, CARTRIDGE CERAMIC 90DEG LH (PART OF 736702)	
12	1792205	MANIFOLD, ZURN SNGL SIDE W/5 PRT		20	1590009	ADAPTER, SEAFLEX BRS 1/2"FPT X 1/2"MPT EXTND
13	1142496	HEATER, WATER 6 GAL 110/60 W/75-210T&P		21	1096262	FAUCET, SILLCOCK WASHDOWN (WHITECAP)
	1790450	ELEMENT, HEATER WTR 110/60 W/75-210 (PART OF 1142496) (CAN BE USED ON 6, 11, & 20GL)		22	141168	INLET, WATER W/PRESS REGULATOR WHT
	1156728	HEATER, WATER 6 GAL 220/50 W/75-210T&P		23	1425156	NIPPLE, SEAFLEX BRS 1/2"MPT LONG
	1146877	VALVE, TEMPERING 75PSI/210DEG (PART OF 1142496 & 1156728)		24	169086	ELBOW, BRASS 90DEG STREET 1/2"
	1754598	HEATER, WATER ELEMENT FOR 6 GAL 220V (PART OF 1156728)		25	1791673	VALVE, ZURN 1/2" MPT X 1/2" MPT CHECKVALVE
	836023	BRACKET, ALUM 1.5"X 1.5"X 1.5" 3/16"HOLES		26	325944	TEE, BRASS STREET 1/2"MPT X 1/2"FPT
14	1895055	FAUCET, GLY SNGL LVR 7.2"RISE BR/NI PULLOUT (HULL# 1209 -> UP)		27	1054766	VALVE, BRASS WATER HEATER TEMPERING 120-160DG
	1908583	VALVE, HEAD/GLY FAUCET F/97800 & 97810 (HULL# 1209 -> UP)(PART OF 1895055)		28	168898	NIPPLE, BRASS 1/2"MPT X 3.5"
	1908584	SHOWER ASSY, SS SPRAYER HOSE F/97800 & 97810 (HULL# 1209 -> UP)(PART OF 1895055)		29	1376037	ELBOW, BRASS 90DEG 1/2"MPT X 1/2"MPT
	1908585	FAUCET, HDWR MNTG KIT F/1895055 & 1895059 (HULL# 1209 -> UP)(PART OF 1895055)		30	141713	ADAPTER, BRASS 3/8"MPT X 5/8"BARB
	1908586	FAUCET, SS HOT/COLD RISER (HULL# 1209 -> UP)(PART OF 1895055)		31	124594	HOSE, WATER 5/8" HVY DTY (HEATER)
	1908587	FAUCET, LEVER HNDL ALAN SCREW (HULL# 1209 -> UP)(PART OF 1895055)		1778933	THRU-HULL, SS 5/8"BARB SHORT (LOCATED IN THE PORT SIDE VENT BOX)	
	1908588	FAUCET, RED/BLUE DOT (HULL# 1209 -> UP)(PART OF 1895055)		32	1689293	NIPPLE, UNIFLEX PLAS 1/2" UNION
	1908589	FAUCET, LEVER MIXER HNDL (HULL# 1209 -> UP)(PART OF 1895055)		33	1743333	FITTING, 1/4" X 1/2" BSP FAUCET CONNECTOR
	1908590	FAUCET, HOSE/SPRAY HEAD GASKET (HULL# 1209 -> UP)(PART OF 1895055)		1258995	SLEEVE, SEATECH COMPRESS 1/4"FLEX TUBING DLRN	
	1908591	FAUCET, HOSE WEIGHT F/97800/97810/98656 (HULL# 1209 -> UP)(PART OF 1895055)		1215201	TUBING, SEATECH 1/4"OD X 1/8"ID X 1000' NAT'L	
	1908594	FAUCET, SPRAY HEAD ONLY F/97810 (HULL# 1209 -> UP)(PART OF 1895055)		34	1789708	ELBOW, ZURN 1/2" SWIVEL
	1772521	FAUCET, GALLEY 9" RISE BRUSHED NCKL/CHR (HULL# 1201 -> 1208)		1789718	CLAMP, CRIMP RING ZURN 1/2"	
15	1895059	FAUCET, HEAD SNGL LVR 6.2"RISE BR/NI PULLOUT (HULL# 1209 -> UP)		35	1789703	ELBOW, ZURN 1/2" BARB
	1908583	VALVE, HEAD/GLY FAUCET F/97800 & 97810 (HULL# 1209 -> UP)(PART OF 1895059)		1789718	CLAMP, CRIMP RING ZURN 1/2"	
	1908584	SHOWER ASSY, SS SPRAYER HOSE F/97800 & 97810 (HULL# 1209 -> UP)(PART OF 1895059)		36	1789710	ADAPTER, ZURN STRAIGHT 1/2" SWIVEL BRASS
	1908585	FAUCET, HDWR MNTG KIT F/1895055 & 1895059 (HULL# 1209 -> UP)(PART OF 1895059)		1789718	CLAMP, CRIMP RING ZURN 1/2"	
	1908586	FAUCET, SS HOT/COLD RISER (HULL# 1209 -> UP)(PART OF 1895059)				
	1908587	FAUCET, LEVER HNDL ALAN SCREW (HULL# 1209 -> UP)(PART OF 1895059)				
	1908588	FAUCET, RED/BLUE DOT (HULL# 1209 -> UP)(PART OF 1895059)				
	1908589	FAUCET, LEVER MIXER HNDL (HULL# 1209 -> UP)(PART OF 1895059)				
	1908590	FAUCET, HOSE/SPRAY HEAD GASKET (HULL# 1209 -> UP)(PART OF 1895059)				
	1908591	FAUCET, HOSE WEIGHT F/97800/97810/98656 (HULL# 1209 -> UP)(PART OF 1895059)				
	1908592	FAUCET, SPRAY HEAD ONLY F/97800 (HULL# 1209 -> UP)(PART OF 1895059)				
	1908593	FAUCET, WALL SPRAYER HOLDER (HULL# 1209 -> UP)(PART OF 1895059)				
	1772520	FAUCET/SHOWER, BRUSHED NCKL/CHR PULLOUT (HULL# 1201 -> 1208)				
	1853913	FAUCET/SHOWER, SPRAYER ONLY BRSHD NCKL/CHR (HULL# 1201 -> 1208)(PART OF 1772520)				

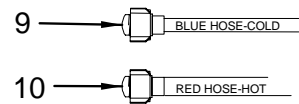
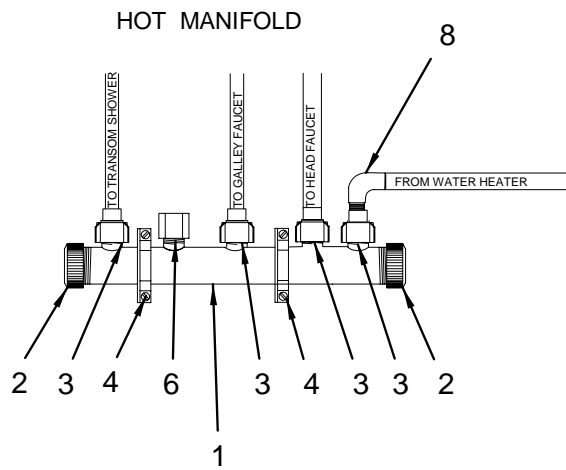
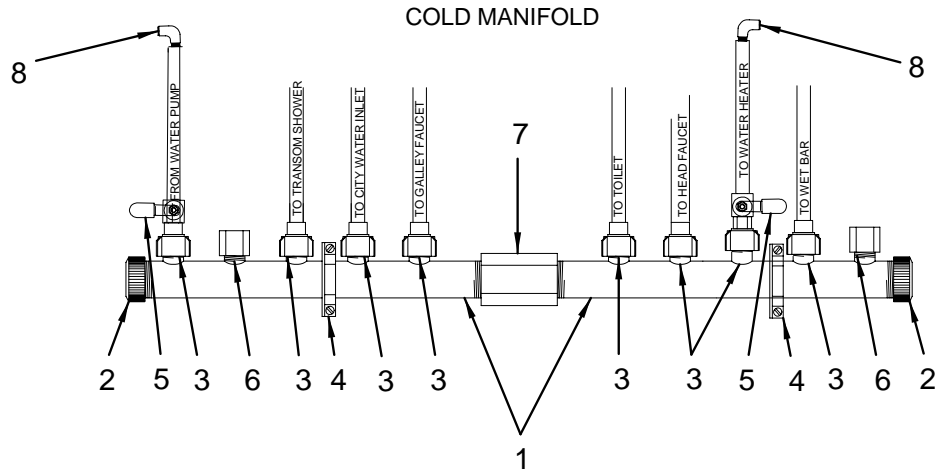
LABELS

1743534	LABEL, FRESH WATER (LEXAN)
1745162	LABEL, LEAVING DOCKSIDE WTR CONNECTED WARNING
1809840	LABEL, MANIFOLD HOT/COLD ZURN 64QKIPSP

NOT SHOWN

1789754	ADAPTER, ZURN 1/2" MALE
1744830	ADAPTER, STRT RED BRSS 3/4"MPT X 5/8"BARB
1497460	TAPE, FOAM NEOPRENE W/3M 9828 1/4"TH X 2"W
1497452	TAPE, FOAM NEOPRENE W/3M 9828 3/8"TH X 2"W
468934	TAPE, VAC PAK WHT (4"X 36YDS) PRESERVATION
1791378	NIPPLE, ZURN 1/2" BRASS HEX

WATER SYSTEM (MANIFOLDS)



WATER SYSTEM (MANIFOLDS)

- 1 1792205 MANIFOLD, ZURN SNGL SIDE W/5 PRT
- 2 1802624 FITTING, ZURN BRASS 1"MNFLD END STOP
- 3 1789686 ADAPTER, ZURN STRAIGHT 1/2" SWIVEL
- 4 1802628 BRACKET, PLAS ZURN SNGL MANIFOLD MNT
- 5 1802638 VALVE, ZURN 1/2" MANIFOLD BALL VALVE
- 6 1802637 CAP, ZURN 1/2" MANIFOLD
- 7 1802636 COUPLING, PLAS ZURN MANIFOLD 1"
- 8 1789708 ELBOW, ZURN 1/2" SWIVEL
- 9 1789735 TUBING, ZURN 1/2"X 1000' BLUE
- 10 1789751 TUBING, ZURN 1/2"X 1000' RED

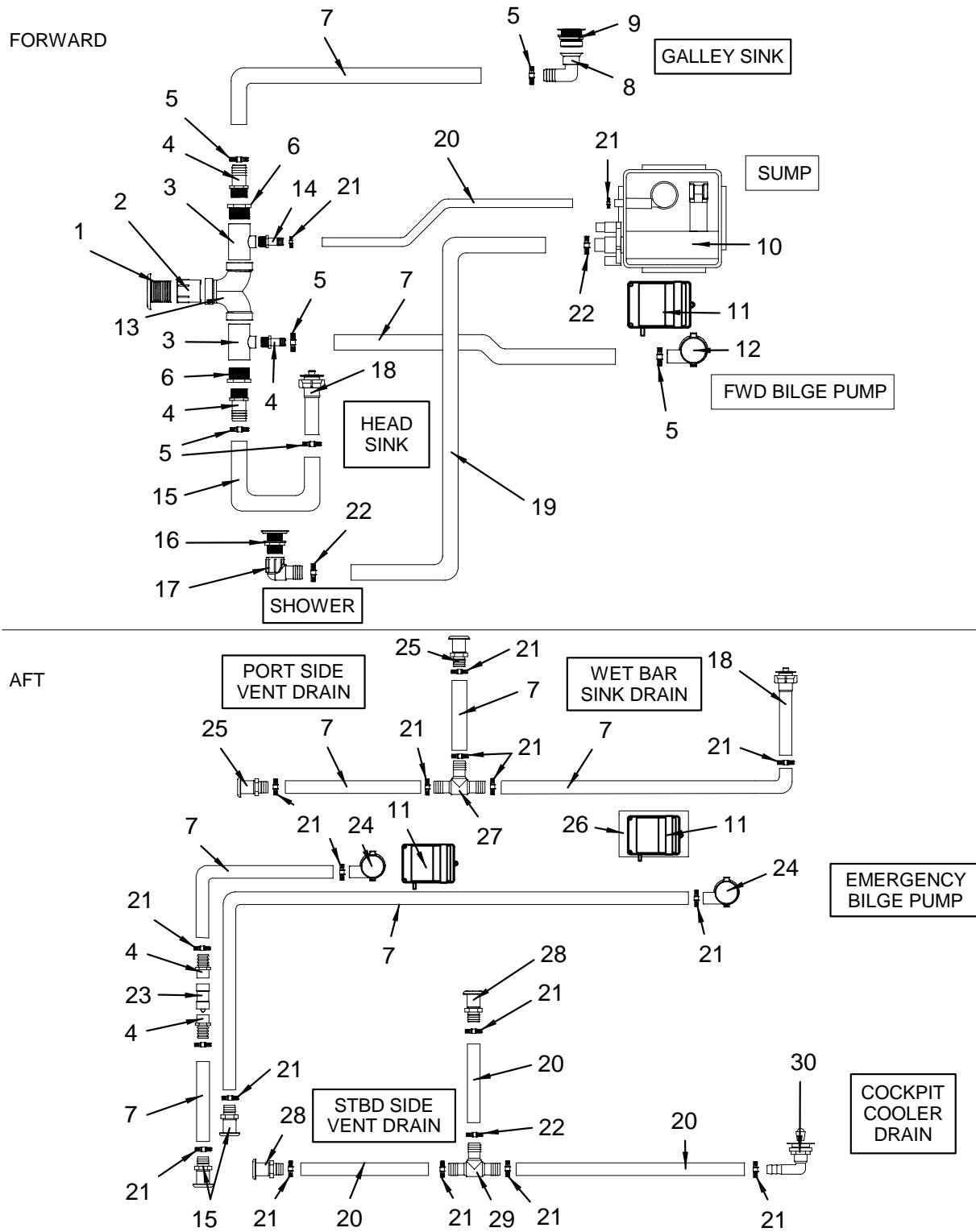
NOT SHOWN

- 1789718 CLAMP, CRIMP RING ZURN 1/2"

NOT SHOWN

1778929 THRU-HULL, SS 3/4" BARB SHORT
185041 ADAPTER, PVC 1"OD X 1.5"OD SLIP REDUCING

DRAINAGE SYSTEM



DRAINAGE SYSTEM

1	124537	THRU-HULL, PLAS 1.5" WHT
2	184101	ADAPTER, PVC 1.5"OD X 1.5"ID SLIP
3	686725	TEE, PVC 1.5"FM SLIP X 1.5"FM SLIP X 1"FPT
4	196683	ADAPTER, PVC 1"MPT X 1"BARB
5	256685	CLAMP, HOSE #16 3/4"-1.5" SS .505
6	698183	BUSHING, PVC 1.5"M SLIP X 1"FPT
7	1033745	HOSE, WATER 1"ID X 1 3/8"OD
8	266130	DRAIN, LINER W/90 DEG ELBOW 1" PLASTIC
9	175687	DRAIN, SINK STRAINER 2.5" SS W/5/8"BARB
	1839033	DRAIN, SINK STRAINER BASKET ONLY (PART OF 175687)
10	1849858	SHOWER, SUMP ASSY 12V 800GPH W/MERC FREE SW
11	1851746	SWITCH, FLOAT ATTWOOD W/CVR/MERC CONN
12	1690247	PUMP, BILGE 1100GPH W/IMPELLOR HOUSING VANES
13	932780	TEE, PVC 1.5"FM SLIP DBL SWEEP
14	484550	ADAPTER, PVC 1"MPT X 3/4"BARB
15	123927	HOSE, CORR BILGE 1.25" BLK
16	196782	DRAIN ASSY, SHOWER 1.5"
	344762	DRAIN ASSY, SHOWER SLIP NUT 1.5" (PART OF 196782)
17	814822	ELBOW, PVC 1.5"FPT X 1.5"BARB X 90DEG MACHINE
18	146175	DRAIN ASSY, 1.25" DRAIN W/PLUG PLASTIC
	1256593	DRAIN ASSY, STOPPER 1.25" CHR/PLT (PART OF 146175)
19	490219	HOSE, CORR SAN/WATER-FILL 1.5" RH
20	123877	HOSE, CORR SAN/WATER-FILL 3/4"
21	256677	CLAMP, HOSE #12 1/2"-1.25" SS .505
22	256693	CLAMP, HOSE #24 1"-2" SS .505
23	294488	VALVE, CHECK PLAS W/O SPRING 1"FPT
24	125435	PUMP, BILGE 1500GPH
25	1778931	THRU-HULL, SS 1 1/8"BARB SHORT
26	1801270	BRACKET, ALUM FLOAT SWITCH HI-WTR ATTWOOD
27	354886	TEE, PVC 1"BARB X 1"BARB X 1"BARB
28	1778929	THRU-HULL, SS 3/4"BARB SHORT
29	1882428	TEE, POLY 3/4"BARB X 3/4"BARB X 3/4"BARB
30	196618	DRAIN, W/PLUG 100DEG 3/4"BARB WHT
	1816355	DRAIN, STOPPER FOR MRP #196618 (PART OF 196618)

CLAMPS

123604	CLAMP, LOOM VINYL DIP 2.5"
--------	----------------------------

NOT SHOWN

1042076	HOSE, WATER 1 1/8" BLK
185041	ADAPTER, PVC 1"OD X 1.5"OD SLIP REDUCING
1742987	ADAPTER, PVC 1"MPT X 1 1/8"BARB
1882431	TEE, POLY 3/4"BARB X 3/4"BARB X 1/2"FPT (SPORTSMAN'S PACKAGE)