

**2007 36DB**

**PARTS MANUAL**

**36**

**SEDAN BRIDGE®**

International - 37 SEDAN BRIDGE



Sea Ray® Parts Manual, 2007 36 SEDAN BRIDGE MRP #  
Sea Ray Boats, 2600 Sea Ray Blvd., Knoxville, TN 37914. For information call 1-800-SRBOATS or fax 1-314-213-7878 (USA and International).  
Internet address: <http://www.searay.com>

Note: Not all accessories shown in pictures or described herein are standard equipment or even available as options.  
Options and features are subject to change without notice.

Confirm the availability of all accessories and equipment with an authorized Sea Ray® dealer.

# 2007 36 SEDAN BRIDGE

## TABLE OF CONTENTS



<b>STANDARD &amp; OPTIONAL LAYOUTS</b>	<b>PAGE</b>
GELCOATS	1
EXTERIOR (HULL)	2, 3
EXTERIOR (DECK)	4, 5
EXTERIOR (WINDSHIELD)	6
EXTERIOR (TRANSOM)	7, 8
EXTERIOR (HARDTOP)	9, 10
EXTERIOR (SPOILER)	11
EXTERIOR (GRAPHICS)	12, 13
CANVAS, AFT FACING ARCH	14, 15
CANVAS (HARDTOP ENCLOSURE LAYOUT)	16, 17
CANVAS (COCKPIT COVER) AFT FACING ARCH	18, 19
CANVAS (COCKPIT COVER) ARCH TOP	20, 21
COCKPIT	22, 23
COCKPIT (UPHOLSTERY)	24
BRIDGE	25
BRIDGE (PORT VIEW)	26
BRIDGE (STARBOARD VIEW)	27
BRIDGE (HELM)	28, 29
ELECTRONIC PANELS UPPER	30, 31
ELECTRONIC PANELS UPPER (CONTINUED 1)	32, 33
ELECTRONIC PANELS UPPER (CONTINUED 2)	34, 35
COMPONENT BOARD (UPPER CONTROL STATION)	36, 37
CONTROL STATION SWITCH PANEL	38, 39
LOWER CONTROL STATION	40, 41
ELECTRONIC PANELS LOWER	42, 43
ELECTRONIC PANELS LOWER (CONTINUED 1)	44, 45
COMPONENT BOARD (LOWER CONTROL STATION)	46
BRIDGE SEATING AND UPHOLSTERY	47, 48
DSS SATELLITE TELEVISION SYSTEM	49, 50
SEA RAY NAVIGATOR 3 INTERCONNECT DIAGRAM	51, 52
SEA RAY NAVIGATOR 3 - SINGLE	53
SEA RAY NAVIGATOR 3 - DUAL	54
SEA RAY NAVIGATOR 3 - SATELLITE	55
SEA RAY NAVIGATOR 3 - RADAR	56
SEA RAY NAVIGATOR 3 - SONAR/FISHFINDER	57
SEA RAY NAVIGATOR 3 - NETWORK CAMERA	58
NORTHSTAR 6000I 4KW OPEN ARRAY RADAR	59
NORTHSTAR 6000I 491 FISHFINDER	60
NORTHSTAR NS3300 AUTOPILOT	61
FORWARD STATEROOM (STARBOARD VIEW)	62, 63
FORWARD STATEROOM (PORT VIEW)	64, 65
FORWARD STATEROOM (UPHOLSTERY)	66, 67
FORWARD SHOWER	68, 69
PORT HEAD	70, 71
GALLEY (UPPER)	72, 73
GALLEY (LOWER)	74, 75
DINETTE	76
DINETTE (UPHOLSTERY)	77, 78
STARBOARD GUEST STATEROOM (STARBOARD VIEW)	79, 80
STARBOARD GUEST STATEROOM (PORT VIEW)	81, 82
STARBOARD GUEST STATEROOM (UPHOLSTERY)	83, 84
SALON (PORT VIEW)	85, 86
SALON (UPHOLSTERY) PORT VIEW	87, 88
SALON (UPHOLSTERY) STARBOARD VIEW	89, 90
MULTI-INFO PACKET	91, 92

	<b>PAGE</b>
MAIN DISTRIBUTION PANEL (120V)	93
MAIN DISTRIBUTION PANEL ENCLOSURE	94
MAIN DISTRIBUTION PANEL (220V)	95
IGNITION SWITCH PANEL	96
BILGE	97, 98
BILGE (FORWARD VIEW)	99, 100
BILGE (ENGINE SET-UP/WATER INTAKE)	101
BILGE (2" ENGINE SET-UP/WATER INTAKE)	102
BILGE (ENGINE EXHAUST SYSTEM) GAS	103
BILGE (ENGINE EXHAUST SYSTEM) DIESEL	104
OIL EXCHANGE SYSTEM	105
SEWAGE SYSTEM	106, 107
GENERATOR SYSTEM (GAS)	108, 109
GENERATOR SYSTEM (DIESEL)	110
DRAINAGE SYSTEM (BILGE PUMP AND SUMP)	111
FUEL SYSTEM (GAS)	112, 113
FUEL SYSTEM (DIESEL)	114, 115
WATER SYSTEM (ROPELOCKER)	116
WATER SYSTEM (FORWARD SHOWER)	117
WATER SYSTEM (PORT HEAD)	118
WATER SYSTEM (GALLEY)	119
WATER SYSTEM (BILGE)	120
WATER SYSTEM (WATER HEATER)	121
WATER SYSTEM (AFT)	122, 123
WATER SYSTEM (LOWER CONTROL STATION) WINDSHIELD WASHER	124
WATER SYSTEM (ICE MAKER)	125, 126
STEERING SYSTEM (SHAFT ASSEMBLY)	127, 128
STEERING SYSTEM (AFT)	129
STEERING SYSTEM (CONTROLS) STANDARD	130
STEERING SYSTEM (HYDRAULIC ASSEMBLY)	131, 132
STEERING SYSTEM (AUTOPILOT)	133, 134
AIR CONDITIONING SYSTEM	135, 136
DRAINAGE SYSTEM (SUMP PUMPS)	137
DRAINAGE SYSTEM (DRAINS)	138, 139

# 2007 36 SEDAN BRIDGE

## TABLE OF CONTENTS



OPTIONS - PARTS LIST	PAGE
FLAG BLUE HULL.....	140
INT B. CYPRESS-CREAM/GREEN (CHAMP/D.BEIGE).....	140
INT E. COGNAC-BROWN/BLK (WHT SND/ANT WHT).....	140
NAVY CANVAS /MIDNIGHT BLUE /GRAY FIELDSTONE.....	140
GREEN CANVAS / EMERALD / EVERGREEN.....	140
T-8.1 S HORIZON DTS (T-370PHP)MCM INBOARDS.....	140
T-CMD QSB 380 (T-364 PHP) DIESEL INBOARDS.....	140, 141
T-8.1 S HORIZON (T-370 PHP) MCM INBOARDS.....	141
TV FLAT SCREEN W/DVD - STARBOARD STATEROOM.....	141
TEAK BRIDGE STEPS, COCKPIT & SWIM PLATFORM.....	141
ARCHTOP, W/DECK HATCH, LIGHTING & ENCLOSURE.....	141
HULL GELCOATED BLUE.....	141
HULL GELCOATED PEWTER.....	141
AUSTRALIAN BUILDERS PLATE.....	141
LIGHTING, UNDERWATER - TRANSOM.....	141
S.R. NAV 3 NETWORK CAMERA - COCKPIT & BILGE.....	141
HULL GELCOATED BLACK.....	141
SPOTLIGHT W/ DUAL HALOGEN BULBS (ACR).....	141
NORTHSTAR 491 FISHFINDER (6000I/6100I ONLY).....	141
WHEATON CARPET COLOR - OPTIONAL.....	141
WINDSHIELD COVER & WINDSHIELD SHADE.....	141
BOW & STERN THRUSTERS.....	141, 142
NORTHSTAR 6000I 12"GPS/ CHARTPLOTTER /RADAR.....	142
NORTHSTAR AUX. 6000I 12" GPS / CHARTPLOTTER.....	142
LUMINOUS GOLD - GALLEY / HEAD COUNTER TOPS.....	142
NEUTRAL PILLOW PACKAGE.....	142
DASH COVER - BRIDGE, CANVAS.....	142
SEA RAY NAV. 3 GPS/ CHARTPLOTTER.....	142
SEA RAY NAV 3 GPS / CHARTPLOTTER / RADAR.....	142
AUX. SEA RAY NAV.3 12.1 GPS / CHARTPLOTTER.....	142
SATELLITE INTERFACE FOR SEA RAY NAV. 3.....	143
SONAR / FISH FINDER FOR SEA RAY NAV. 3.....	143
BRIDGE COVER - CANVAS.....	143
AUTOPILOT - RAYPILOT ST 8002.....	143
CE CREDIT FOR STD BRIDGE ENCLOSURE CANVAS.....	143
NORTHSTAR HAILER.....	143
MACERATOR W/ SEACOCK INTERLOCK SYSTEM.....	143
NORTHSTAR 3300 AUTOPILOT.....	143
STAINLESS STEEL ANCHOR.....	143
YACHT FLAG AND FLAG POLE.....	143
FIRE SUPPRESSION FM 200 - INTERNATIONAL.....	143
GRAY WATER SYSTEM.....	143
RAYMARINE E120 GPS / CHART PLOTTER / RADAR.....	143, 144
RAYMARINE DSM 300 FISH FINDER.....	144
RAYMARINE E120 CHARTPLOTTER ONLY.....	144
"375DB" MODEL DESIGNATORS.....	144
COCKPIT ICE MAKER - 120V/60.....	144
COCKPIT ICE MAKER - 220V/50.....	144
BOW THRUSTER.....	144
BRIDGE SUNPAD FILLER CUSHIONS.....	144
SHIP WATER READY.....	144
LOWER CONTROL STATION.....	144, 145
220 VOLT / 50 CYCLE ELECTRICAL SYSTEM.....	145
WATER DELIVERY - INCLUDES SAFETY PKG & FUEL.....	145
WINDLASS - CHAIN.....	145

	PAGE
C E OPTION GROUP.....	145
DSS SATELLITE TV.SYS. KVH-M3 - 120V/60 ONLY.....	145
AFT COCKPIT SEATING - FOLD AWAY.....	146
CANADIAN CONFORMITY STICKER.....	146
WINDLASS CAPSTAN.....	146
ENGINE SYNCHRONIZER - GAS ENGINES.....	146
VACUUM SYSTEM, CENTRAL - BEAM - 120V/60.....	146
VACUUM SYSTEM, CENTRAL - BEAM - 220V/50.....	146
AUTOPILOT - RAYPILOT ST 7001+.....	146
LIGHT CHERRY FINISH.....	146
INTERNATIONAL IN-SERVICE CHECKLIST.....	146

**GELCOATS****GELCOATS**

- 1684126 GEL COAT, ARCTIC WHT (DRUMS)  
**(HULL, SMALL PARTS)**
- 1310838 GEL COAT, ARCTIC WHT (TOTES)  
**(HULL, DECK, SMALL PARTS)**
- 1719535 GEL COAT, BILGE OYSTER LOW EMISSION  
**(HULL BILGE, DECK AND SMALL PARTS UNDERSIDE COLOR)**
- 556944 GEL COAT, ANTIQUE WHT (SUMMER) ISO NPG  
**(SHOWER)**
- 1839466 GEL COAT, DESERT BEIGE NG-MP-4028MI  
**(SMALL PARTS)**
- 1736635 GEL COAT, WEBBING GRY
- 1883350 GEL COAT, BLUSHGUARD FLAG BLUE 5769A90031A
- 1687628 GEL COAT, MAXGUARD MIDNIGHT BLUE
- 1761026 GEL COAT, MIDNIGHT BLUE W/PATCHAID 5GAL
- 1796295 GEL COAT, NEW PEWTER VALSPAR
- 1839321 GEL COAT, BLACK MAX MP BG-MP-0066M

**NOT SHOWN**

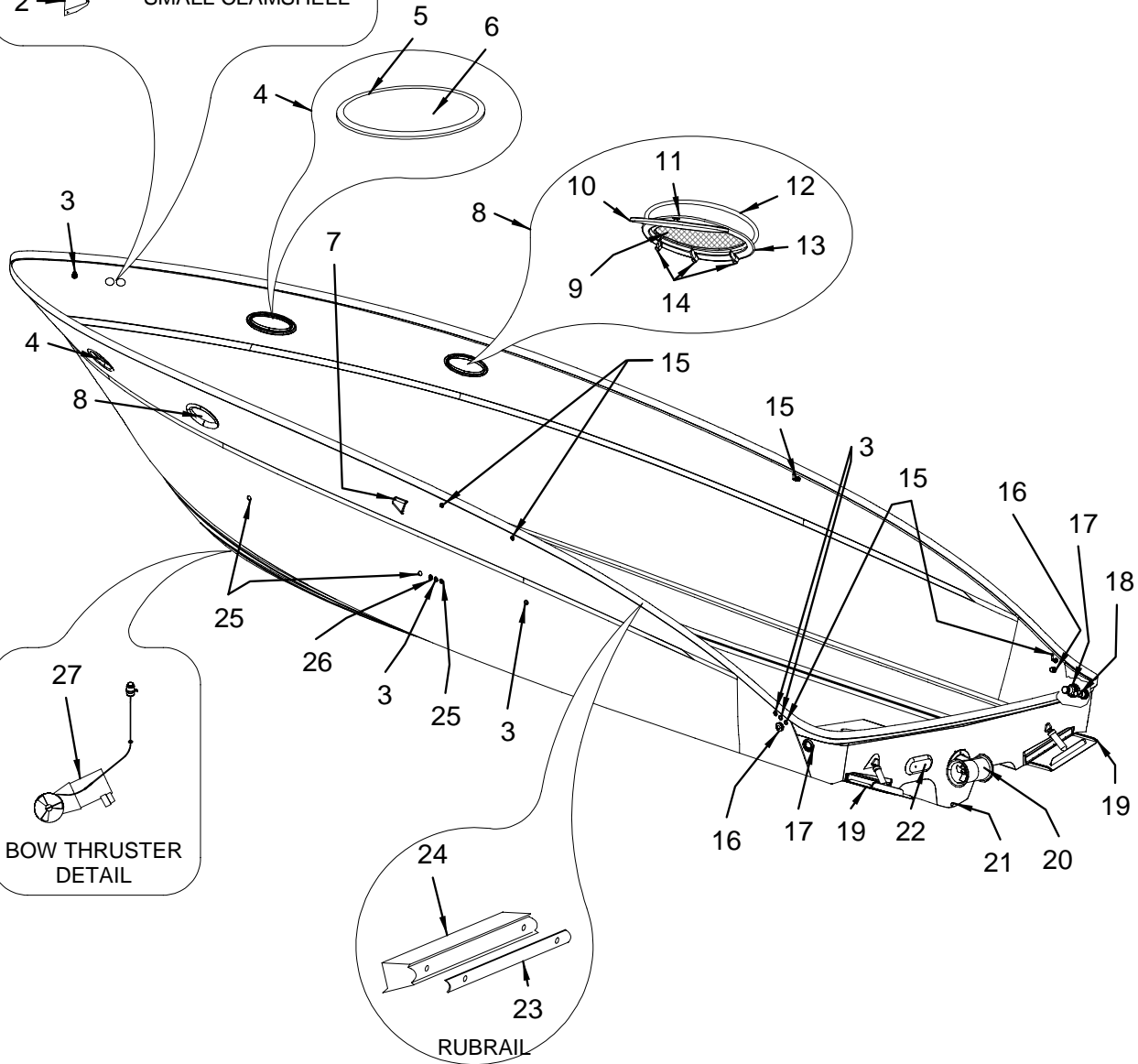
- 1048321 GEL PATCH, PATCHAID  
**(USED TO REDUCE GELCOAT)**

**BOTTOM PAINT**

- 1355338 PAINT, BOTTOM BLACK HYDROCOAT
- 868893 PAINT, PRIMER SANDLESS #6999
- 868901 THINNER, BOTTOM PAINT

EXTERIOR (HULL)

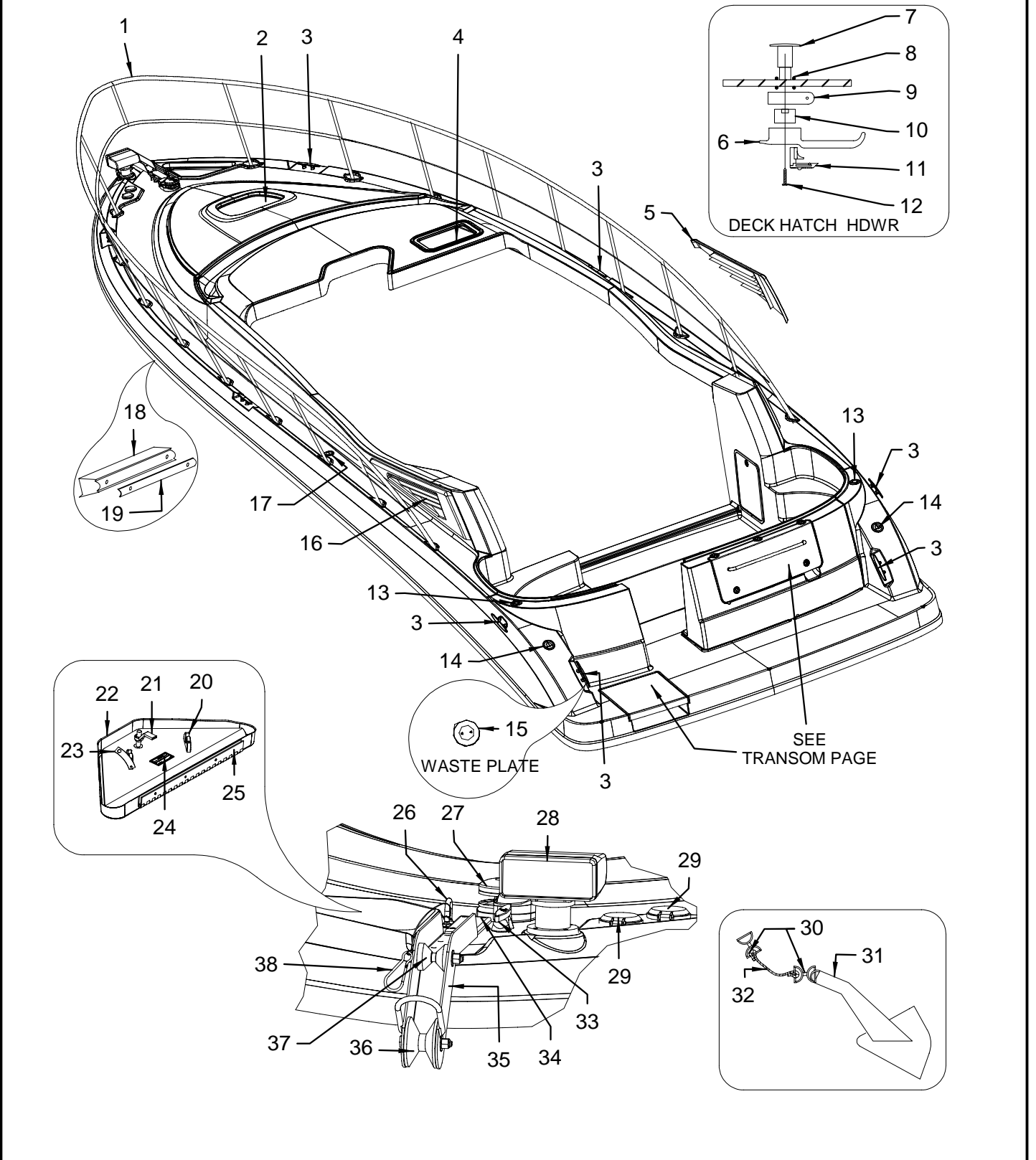
- 1 HORN COVER
- 2 SMALL CLAMSHELL



## EXTERIOR (HULL)

1	777433	HORN, CONCEALED TRUMPET LO-TONE	27	1891013	BOW THRUSTER, Y-CABLE 4-WIRE W/CONN
	777441	HORN, CONCEALED TRUMPET HI-TONE		980219	SOLENOID, MAGNET LATCHING 12V 200A/1200A
	834093	HORN CVR, CONCEALED DUAL WHT SM		1475391	BRKR, SURF MNT THERMAL 25AMP MANUAL RESET
	1662972	HORN CVR, CONCEALED DUAL SS SM		1585470	FUSE, ANL250 IGN PROTECTED
		<b>(COLORED HULL)</b>		1689904	BOOT, PVC TERM INSUL CAP RED
2	533430	VENT, CLAMSHELL ROPE LCKR 2"X2"	<b>LABELS</b>		
3	1687508	THRU-HULL, SS 1 1/8"X 1 1/8"BARB		1751061	LABEL, BOW THRUSTER
4	1454016	PORTLIGHT, FIXED ALL SS 3/8"-7/8" MOD REV1		1849336	LABEL, BATTERY PLACEMENT 36DB W/BOW THRSTR
	1314459	PORTLIGHT, GASKET SATURATED FOAM		1813640	LABEL, STERN THRUSTER
		<b>(PART OF 1454016)</b>		1849335	LABEL, BATTERY PLACEMENT 36DB W/STRN THRSTR
	1331735	PORTLIGHT, GASKET ONLY (BOMAR)	<b>VAC PACK</b>		
		<b>(PART OF 1454016)</b>		1727510	EMBLEM, VACPAC SR LOGO W/ISO/CE LRG
	1331750	PORTLIGHT, LENS ONLY (BOMAR)		1753963	VINYL FILM, VAC PACK 8.5MM X 24"X 260'
		<b>(PART OF 1454016)</b>			
	1513191	TRIM RING, PORTLIGHT FIXED 3/8" SS			
		<b>(PART OF 1454016)</b>			
5	1513191	TRIM RING, PORTLIGHT FIXED 3/8" SS			
		<b>(PART OF 1454016)</b>			
6	1331750	PORTLIGHT, LENS ONLY (BOMAR)			
		<b>(PART OF 1454016)</b>			
7	688721	COVER, CUSTOM CLAMSHELL (ABS/DR)			
	1630664	COVER, CUSTOM CLAMSHELL AMETHYST BLUE			
	1797185	COVER, CUSTOM CLAMSHELL PEWTER			
	1802212	COVER, CUSTOM CLAMSHELL ABS/DR PAINTED BLK			
8	1454008	PORTLIGHT, OPENING ALL SS 3/8"-7/8" FROS REV1			
		<b>(ALL SEE REF# 10-14 FOR PARTS OF PART)</b>			
	866434	KNOB, PORTLIGHT KNOB ONLY (BOMAR)			
		<b>(PART OF 1454008)</b>			
	1107044	PORTLIGHT, HANDLES QUICKDOGS (BOMAR)			
		<b>(PART OF 1454008)</b>			
	1314459	PORTLIGHT, GASKET SATURATED FOAM			
		<b>(PART OF 1454008)</b>			
	1331313	PORTLIGHT, SCREEN 3/8"X 7/8"			
		<b>(PART OF 1454008)</b>			
	1331727	PORTLIGHT, LENS ONLY FROSTED (BOMAR)			
		<b>(PART OF 1454008)</b>			
	1331735	PORTLIGHT, GASKET ONLY (BOMAR)			
		<b>(PART OF 1454008)</b>			
	1513183	TRIM RING, PORTLIGHT 3/8" SS			
		<b>(PART OF 1454008)</b>			
9	1331313	PORTLIGHT, SCREEN 3/8"X 7/8"			
10	1331727	PORTLIGHT, LENS ONLY FROSTED (BOMAR)			
		<b>(PART OF 1454008)</b>			
11	866434	KNOB, PORTLIGHT KNOB ONLY (BOMAR)			
		<b>(PART OF 1454008)</b>			
12	1513183	TRIM RING, PORTLIGHT 3/8" SS			
		<b>(PART OF 1454008)</b>			
13	1331735	PORTLIGHT, GASKET ONLY (BOMAR)			
		<b>(PART OF 1454008)</b>			
14	1107044	PORTLIGHT, HANDLES QUICKDOGS (BOMAR)			
		<b>(PART OF 1454008)</b>			
15	1433176	VENT, FUEL/WATER SS 5/8" 90DEG FLSH MNT			
	584763	VENT, FUEL/WATER TANK 5/8"X 4"			
		<b>(GRAY WATER SYSTEM)</b>			
16	1521426	THRU-HULL, SS 1.5"X 1.5"BARB			
17	1761551	THRU-HULL, SS EXHAUST 2.5" X-LONG			
	1831304	THRU-HULL, FLAP ONLY SS EXH 2.5-3" X-LONG			
		<b>(PART OF 1761551)</b>			
18	1769255	THRU-HULL, SS EXHAUST 2" W/SS LIP			
	1835350	THRU-HULL, FLAP ONLY SS EXH 2" X-LONG			
		<b>(PART OF 1769255)</b>			
19	1848687	TRIM TAB, ASSY 12X18 SGL ACT W/HDWR			
20	1835913	STERN THRUSTER, SIDE PWR 165LB THRST 24V IGNP			
	1800993	STERN THRUSTER, DOCKING CNTRL PNL			
	1835913	STERN THRUSTER, SIDE PWR 165LB THRST 24V IGNP			
	1835915	STERN THRUSTER, STRN TNL COWLING 185MM ID 2PC			
21	325191	PLUG, RED BRASS DRAIN 1/2"MPT W/FLANGE			
	162263	PLUG, BRASS 1/2" MPT DRAIN SPARE			
		<b>(PART OF 325191)</b>			
	1743440	PLUG, BRASS 1/2" MPT SAE LINE #639F-8			
		<b>(T-CMD QSB 380 (T-364 PHP) DIESEL INBOARDS)</b>			
22	144329	ZINC, TRANSOM ZINC			
23	1080100	INSERT, RUB RAIL SS 3/4"X 12" (.062/304SS)			
24	1750439	RUBRAIL, PVC ARCWHT 20'			
25	1521434	THRU-HULL, SS 1 1/8"X 3/4"BARB			
		<b>(HULL# 512 -&gt; UP)</b>			
	1778929	THRU-HULL, SS 3/4"BARB SHORT W/RBR GASKET			
		<b>(HULL# 501 -&gt; 511)</b>			
26	1688448	THRU-HULL, SS 1 1/8"X 5/8"BARB			
		<b>(HULL# 512 -&gt; UP)</b>			
	1778933	THRU-HULL, SS 5/8"BARB SHORT W/RBR GASKET			
		<b>(HULL# 501 -&gt; 511)</b>			
27	1835912	BOW THRUSTER, SIDE PWR 165LB THRST 24V			
	1765067	BOW THRUSTER, JOYSTICK (IMTRA)12/24V W/ON/OFF			
	1727462	BOW THRUSTER, CABLE SIDE PWR CNTRL 15M			

EXTERIOR (DECK)



## EXTERIOR (DECK)

1	1798636	RAIL, BOW 36DB-06 CMLPT WELDED	27	1772549	WINDLASS, PROJECT 1000 LOW PROFILE
	1791623	LIFE LINE, 36DB-06		1043918	WINDLASS, CRANK HANDLE LOFRANS PROGRESS (PART OF 1772549)
	1690752	PLATE, BACKING BOW RAIL SML RECT		798447	WINDLASS SOLENOID, LOFRANS CONTROL BOX 12V
2	1688217	HATCH, DECK TRAPEZOID ARC WHT (ALL SO SEE REF# 6-12 FOR PARTS OF PART)		1788177	ROPE/CHN KIT, LOFRANS 9/16"X200/5/16"X25' HT
	460337	ARM, DECK HATCH ADJ 20X20 "PAIR ONLY" (PART OF 1688217)		1741104	ELBOW, ACETAL 1 3/8-12" THD X 1 1/8" ID HOSE
	632778	HATCH, O-RING (PART OF 1688217)		1048743	CHAIN STOP, SS W/LANYARD (WINDLINE)
	632794	HATCH, ALL HATCH SIZES MUSHROOM OR POST (PART OF 1688217)		225060	CHAIN, GRADE 40 GALV 5/16" 200'
	701466	HATCH, ARM UNIV PIVOT ALL SIZES (PART OF 1688217)	28	1772550	WINDLASS, PROJECT 1000 CAPSTAN
	802801	HANDLE, DECK HATCH LATCHING (PART OF 1688217)		930263	SPOTLIGHT, ACR HALOGEN WHT 12V
	802819	HATCH, ALL HATCH SIZES PIVOT LATCH ADAPTER (PART OF 1688217)		845784	BULB, SPOTLIGHT 12V (PART OF 930263)
	802827	HATCH, HATCH HANDLE (PART OF 1688217)		1756730	SPOTLIGHT, MASTER CONTROLLER W/LIGHT TURN-ON
	1797142	HATCH, DECK KNOB PHYSCHOKNOB 05 (PART OF 1688217)		1756729	PAD, SPOTLIGHT REMOTE CONTROL
	1745363	GASKET, DECK HATCH TRAPEZOID		1779735	CABLE, COAXIAL RG6 1000' WHT
	1764546	SCREEN, DECK TRAPEZOID SKYSCREEN MK5		1817036	HOSE, CONDUIT/UNSPLIT 1.25" FLAME RETARDANT
	1798386	SCREEN, DECK TRAPEZOID SKYSCREEN SHADE ONLY (PART OF 1764546)		497909	CONN, BUTT 16/14GA INS W/INS GRIP
	1798387	SCREEN, DECK TRAPEZOID SKYSCREEN SCREEN ONLY (PART OF 1764546)		864306	CONN, COAX 'F' TWIST-ON
3	1777988	CLEAT, 10" SEA RAY SS 2-BOLT	29	757765	WINDLASS FOOTSWITCH, HVY DUTY W/SAFTY CVR WHT COVER, PLAS SAFETY WINDLASS FOOTSWITCH (PART OF 757765)
	1473057	PLATE, BACKING CLEAT 1/4"X 2.5"X 5"		30	ANCHOR SHACKLE, JAW/JAW SWIVEL HVY DTY 3/8"
4	1797132	SKYLIGHT, PLEX 1/4"CLR/FRST 13"X 21"W/RAD		31	ANCHOR, 35LB GALV PLOW
5	1816276	VENT, T/F 36DB-06 DECK STB ARW W/LOUVERS		1819551	ANCHOR, 35LB POLISHED SS PLOW
6	802801	HANDLE, DECK HATCH LATCHING (PART OF 1688217)		32	ROPE/CHN KIT, LOFRANS 9/16"X200/5/16"X25' HT
	632794	HATCH, ALL HATCH SIZES MUSHROOM OR POST (PART OF 1688217)		33	CLEAT, 8" SEA RAY SS 2-BOLT
	632778	HATCH, O-RING (PART OF 1688217)		1473040	PLATE, BACKING UNIVERSAL 3/16"
	701466	HATCH, ARM UNIV PIVOT ALL SIZES (PART OF 1688217)		34	GUARD, HDPE 1/2"X 3"X 9.5" CHAIN ARW
10	701458	HATCH, DECK KNOB ULTRA 92/93 (PART OF 1688217)		35	DAVIT, ANCHOR W/ROLLER SS 370DA-97 (PLOW)
	800862	ARM, DECK HATCH TELESCOPE SHORT BDY BLK PLAS (PART OF 1688217)		1758374	ROLLER, ANCHOR BACK (904268) (PART OF 904268)
11	802827	HATCH, HATCH HANDLE (PART OF 1688217)		1758375	ROLLER, ANCHOR FRNT (904268) (PART OF 904268)
12	802793	HATCH, SCREW 3/8" PLEX (PART OF 1688217)		36	ROLLER, ANCHOR FRNT (904268) (PART OF 904268)
13	1795401	ROD HOLDER, FLUSH MNT SS 30DEG CONTR W/LOGO		37	ROLLER, ANCHOR BACK (904268) (PART OF 904268)
	1634344	CAP, RUBBER 2" ROD HOLDER BLK (PART OF 1795401)		38	LANYARD, CABLE ANCHOR 3/16" SS
	312652	ADAPTER, NYLON 1/4"MPT X 3/8"BARB		819342	HOOK, SNAP 3/8"X 4" SS
	1126747	TIE, CABLE 8.5" SCREW MNT BLK SS BARB			
	124347	HOSE, PVC CLEAR 3/8"			
	916833	DRAIN, PUSH IN 3/8" WHT			
14	1109313	DECK PLATE, GAS SS 1.5" RED CLR-CODE			
	522557	DECK PLATE, CAP W/CHAIN GAS/WATER (PART OF 1109313)			
	522599	KEY, DECK PLATE CAP (PART OF 1109313)			
	1851059	PLATE, HDPE FUEL FILL ACCESS ARW			
15	1752438	DECK PLATE, WASTE SS BLK CLR-CODE W/INT SYMBL			
	522581	DECK PLATE, CAP W/CHAIN (PART OF 1752438)			
	522599	KEY, DECK PLATE CAP (PART OF 1752438)			
16	1816275	VENT, T/F 36DB-06 DECK PRT ARW W/LOUVERS			
17	1109321	DECK PLATE, WATER SS BLUE CLR-CODE			
	522581	DECK PLATE, CAP W/CHAIN (PART OF 1109321)			
	522599	KEY, DECK PLATE CAP			
18	1750439	RUBRAIL, PVC ARCWHT 20'			
19	1080100	INSERT, RUB RAIL SS 3/4"X 12' (.062/304SS)			
20	830844	HOLDER, P/B WINDLASS CRANK HANDLE			
21	1480813	LATCH, FLUSH MOUNT ROUND T-HNDL SS W/PAWL			
22	1878083	36DB 07,HATCH,ANCHOR STRG FBRGLS			
	1455534	TRIM-SEAL, 5/16" W/5/16"BULB LOC-A			
23	156893	WEBBING, POLYPROPYLENE 1" BLACK			
	154369	SNAP STUD, W/#8 X 3/8" PH SS			
	154419	SNAP BUTTON, W/ 5/16" BARREL			
	1574771	SNAP BUTTON, W/1/4" BARREL BLK			
	779041	SNAP SOCKET, HARD ACTION			
24	1746896	LABEL, DANGER STAY CLEAR OF MOVING PARTS			
25	850552	HINGE, SS CONT 2"X 18" W/1/8"PIN			
26	697508	EYE, BOW 3/8"X 2.75"			

## LABELS

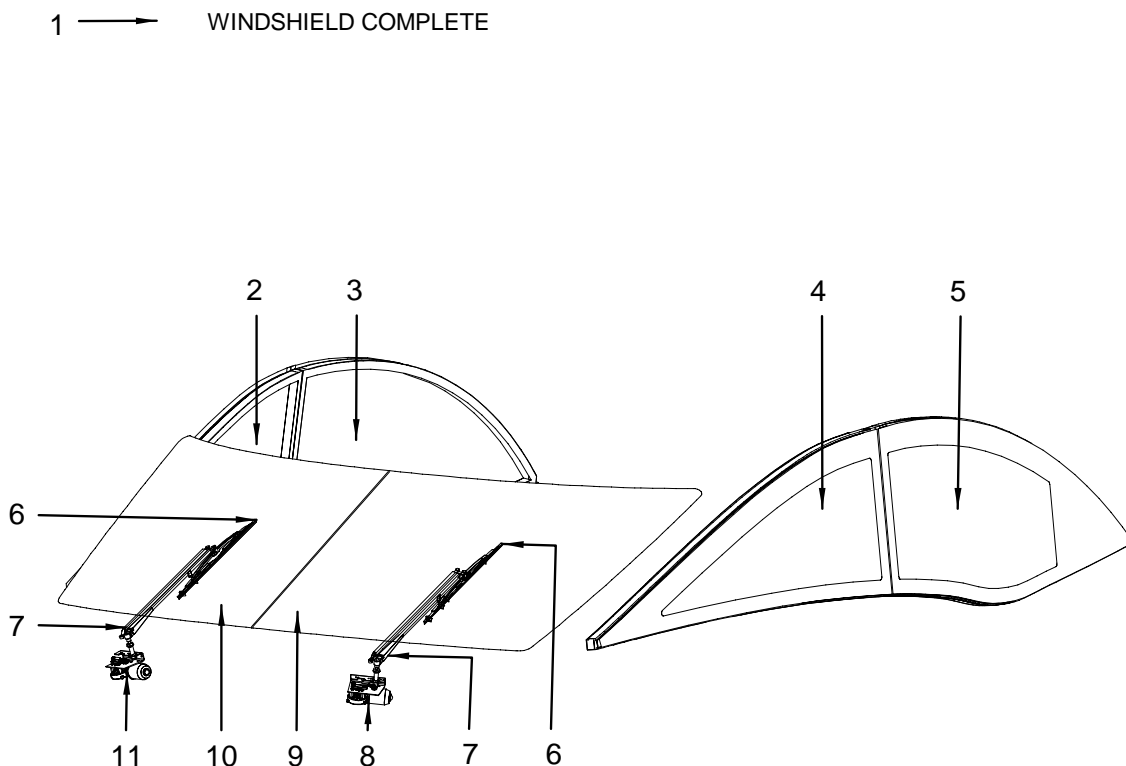
1745519	LABEL, DANGER SHUT OFF ENG WHEN NEAR SWIMMERS
1745515	LABEL, WARNING DO NOT STAND/WALK THIS AREA
1808431	DECAL, SIRIUS ACTIVATION ORNG/BLUE 6 MONTH
1791388	DECAL, MERCURY CERTIFIED INSTALLER
1750454	DECAL, SEA RAY OWNERS CLUB (NBOA) RV

## NOT SHOWN

1781434	LATCH, FLUSH MNT N/LOCKING SLAM SS
1781435	PLATE, CUP BRKT 2"LONG SCREW W/HDWR PKG
1799859	EYE, BOW 1/2" X 4.75"OFFSET THRD X 3.75"
1849742	INSERT, CORIAN BRDG SEATING MATTERHORN



**EXTERIOR (WINDSHIELD)**



**EXTERIOR (WINDSHIELD)**

- 1 1798637 W/S, 36DB-06 MAIN CMPLT 2PC FRNT/P&S SIDE
- 2 1835897 W/S, 36DB-06 SS STBD FWD WING
- 3 1835898 W/S, 36DB-06 SS STBD AFT WING
- 4 1835902 W/S, 36DB-06 SS PRT FWD WING
- 5 1835903 W/S, 36DB-06 SS PRT AFT WING
- 6 1878441 WIPER BLADE, 25.5" HVY DUTY 650MM
- 7 1878437 WIPER ARM, 34" PANTOGRAPH WET ARM
- 8 1878439 WIPER MOTOR, 80 DEG PRT PARK 12V 223BD
- 9 1835901 W/S, 36DB-06 SS PRT FRONT GLASS ONLY
- 10 1835899 W/S, 36DB-06 SS STBD FRONT GLASS ONLY
- 11 1878440 WIPER MOTOR, 80 DEG SWEEP STB PARK 12V 223BD

**WINDSHIELD WIPERS (LOWER CONTROL STATION) (continued)**

- 1599240 ADAPTER, SEATECH 1/4"MNPT X 1/4" PUSH-ON  
(PART OF 1719419)
- 1599257 ADAPTER, SEATECH 3/8"-24 X 1/4" PUSH-ON  
(PART OF 1719419)
- 1599265 TEE, SEATECH PLAS 1/4" UNION  
(PART OF 1719419)
- 1599273 ELBOW, SEATECH SS 3/16" STEM W/S WASHER  
(PART OF 1719419)
- 1599281 FITTING, SEATECH SS W/S WASHER DECK  
(PART OF 1719419)
- 1773928 ELBOW, SEATECH PLAS UNION  
(PART OF 1719419)

**HARDWARE**

- 1835900 W/S, 36DB-06 HDWR KIT

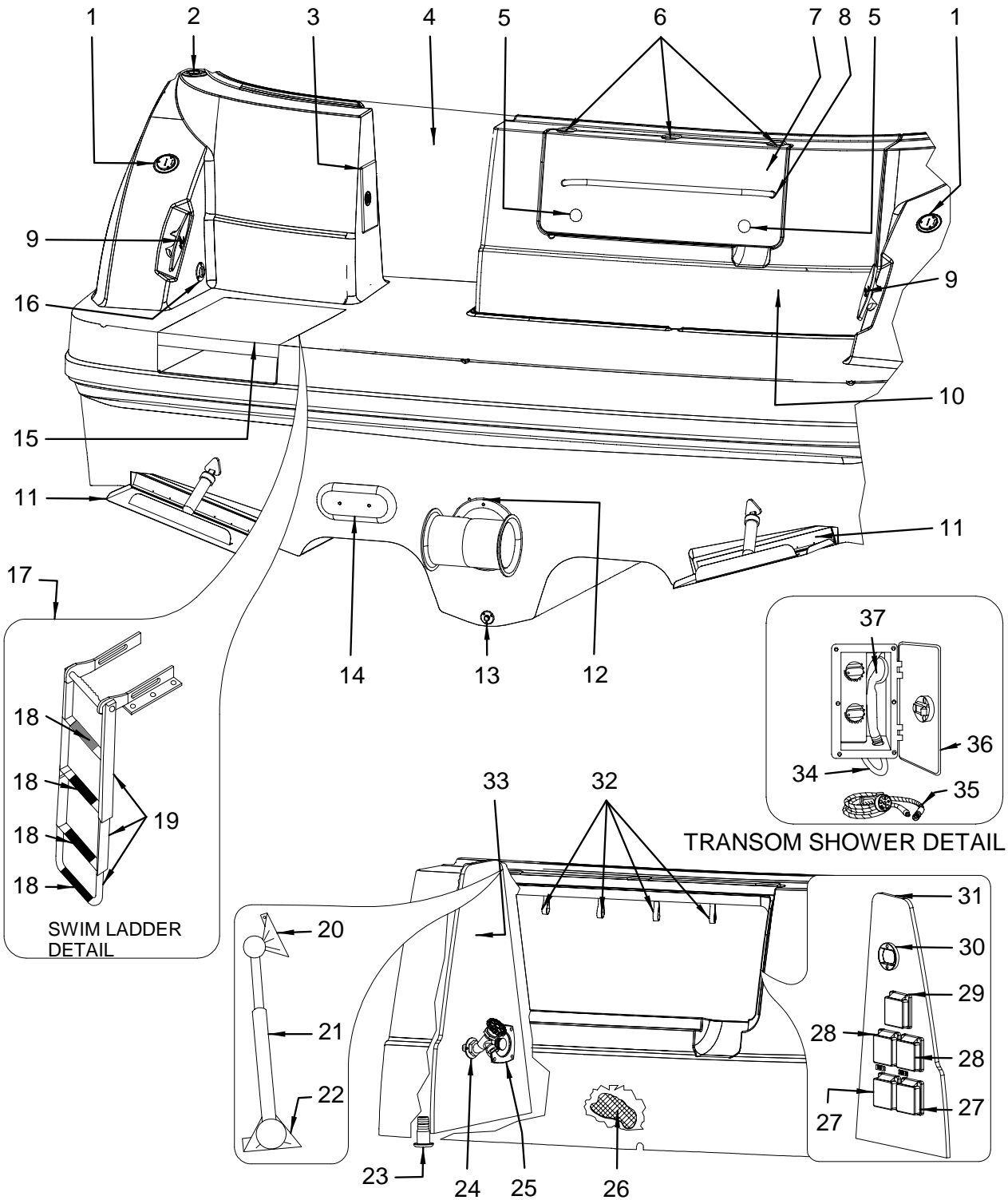
**NOT SHOWN**

- 156893 WEBBING, POLYPROPYLENE 1" BLACK  
(BLACK MATERIAL USED TO MAKE THE STRAP THAT HOLDS WINDSHIELD OPEN)

**WINDSHIELD WIPERS (LOWER CONTROL STATION)**

- 1719419 WIPER, SEATECH 2/DECK FIT WSHR KIT 90DG 12VDC
- 1599232 VALVE, SEATECH BRASS WTR 12VDC  
(PART OF 1719419)

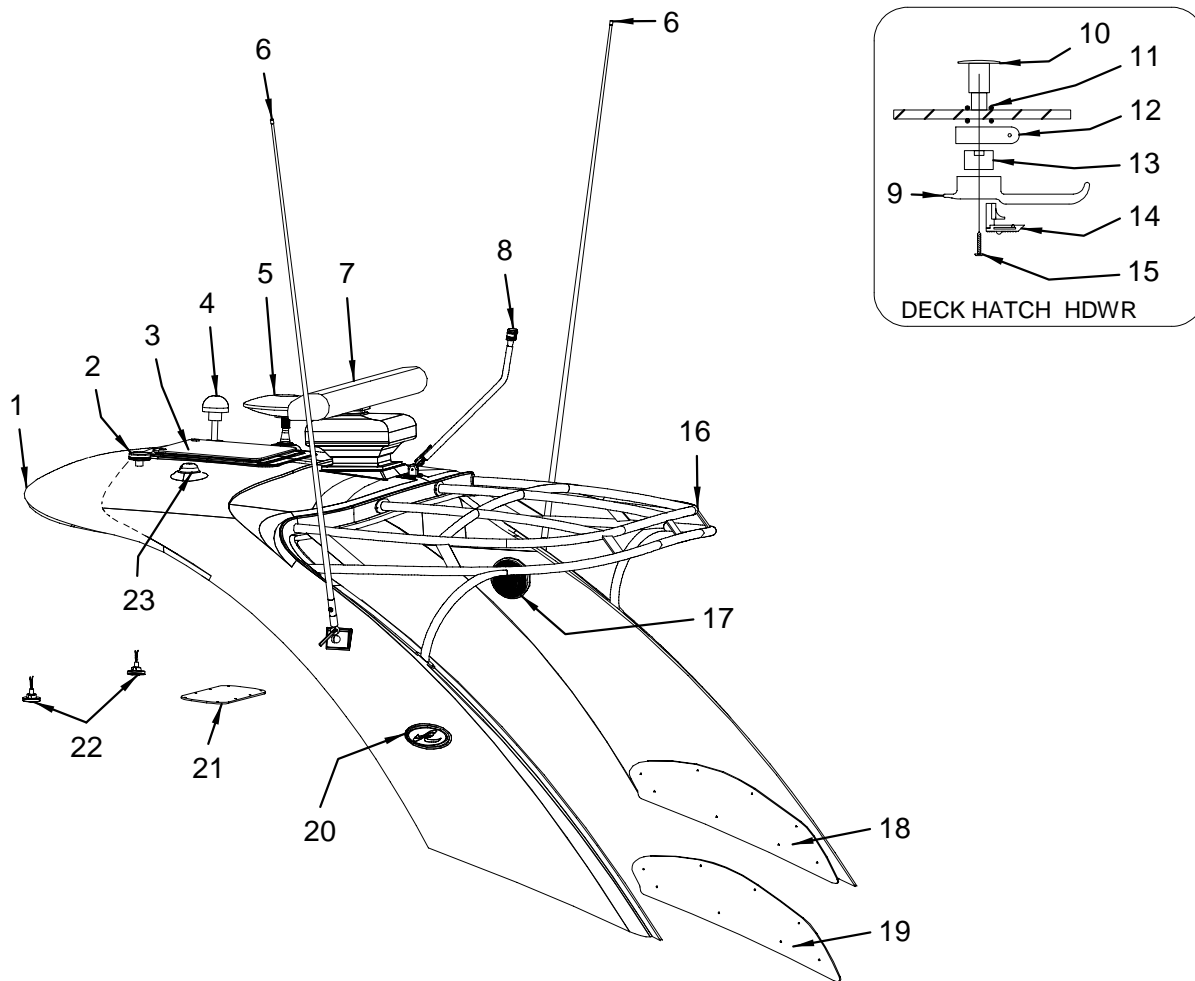
EXTERIOR (TRANSOM)



## EXTERIOR (TRANSOM)

1	1109313	DECK PLATE, GAS SS 1.5" RED CLR-CODE	33	1812929	BLKHD, LDPVC 36DB-06 TRNSM WALL INBD
	522557	DECK PLATE, CAP W/CHAIN GAS/WATER (PART OF 1109313)	34	1302595	FAUCET, WASHDOWN HOSE W/FPT ONLY(AQUATIK) (PART OF 736702)
	522599	KEY, DECK PLATE CAP (PART OF 1109313)	35	1302579	FAUCET, WASHDOWN SHOWER UNIT ONLY (AQUATIK) (PART OF 736702)
2	1795401	ROD HOLDER, FLUSH MNT SS 30DEG CONTR W/LOGO	36	1302587	FAUCET, WASHDOWN DOOR ONLY (AQUATIK) (PART OF 736702)
	1634344	CAP, RUBBER 2" ROD HOLDER BLK (PART OF 1795401)	37	1302603	FAUCET, WASHDOWN SPRAYER HEAD ONLY(AQUATIK) (PART OF 736702)
	312652	ADAPTER, NYLON 1/4"MPT X 3/8"BARB	<b>BRACKETS</b>		
	1126747	TIE, CABLE 8.5" SCREW MNT BLK SS BARB	1298264	BRACKET, PVC 2"X 2"X 26" WHT	
	124347	HOSE, PVC CLEAR 3/8"	<b>FLAG POLE &amp; BASE, U.S. FLAG</b>		
	916833	DRAIN, PUSH IN 3/8" WHT	1190354	POLE, FLAGSTAFF YACHTS AFT SS 40"	
3	736702	FAUCET, WASHDOWN BOX W/MIXER (AQUATIK) VERT (SEE REF# 34,35,36,37 FOR PARTS OF PART)	685214	FLAG, USA 2'X 3'	
	1298710	FAUCET, CARTRIDGE CERAMIC 90DEG LH (PART OF 736702)	685313	SOCKET, FLUSH MOUNT STERN FLAG POLE	
	1302504	FAUCET, CARTRIDGE CERAMIC 90DEG RH (PART OF 736702)	706747	CLIP, FLAG	
	1302579	FAUCET, WASHDOWN SHOWER UNIT ONLY (AQUATIK) (PART OF 736702)	<b>FLOORING</b>		
	1302587	FAUCET, WASHDOWN DOOR ONLY (AQUATIK) (PART OF 736702)	1837524	FLOOR, TEAK 36DB-06 CKPT W/GLUE/INSTAL (TEAK BRIDGE STEPS, COCKPIT & SWIM PLATFORM)	
	1302595	FAUCET, WASHDOWN HOSE W/FPT ONLY(AQUATIK) (PART OF 736702)	<b>LABELS</b>		
	1302603	FAUCET, WASHDOWN SPRAYER HEAD ONLY(AQUATIK) (PART OF 736702)	1743512	LABEL, "LINE 1" (LEXAN)	
	1742646	LATCH, WASHDOWN DOOR (AQUATIK) (PART OF 736702)	1743513	LABEL, "LINE 2" (LEXAN)	
	1848792	FAUCET, WASHDOWN RUBBER SHOWERHEAD HLDR (PART OF 736702)	1743532	LABEL, SLING (LEXAN)	
4	1819129	DOOR, PLEX 36DB-06 TRNSM W/LATCH/HDWR ARW	1743534	LABEL, FRESH WATER (LEXAN)	
	5	1781434	1743571	LABEL, DANGER TRANSOM DOOR (LEXAN)	
	6	1338821	1743616	LABEL, UNPLUG SHORE POWER WARNING	
	7	1878084	1745162	LABEL, LEAVING DOCKSIDE WTR CONNECTED WARNING	
	8	1761039	1745519	LABEL, DANGER SHUT OFF ENG WHEN NEAR SWIMMERS	
	9	1777988	<b>NOT SHOWN</b>		
	1473057	PLATE, BACKING CLEAT 1/4"X 2.5"X 5"	1816444	BRACE, LDPVC 36DB-06 PRT AFT TRNSM STRG BTM	
	10	1878085	1816445	BRACE, LDPVC 36DB-06 PRT AFT TRNSM STRG SIDE	
	11	1848687	548453	PLATE, BACKING SWMPLTFM 1/4" ALUM	
	12	1835913	<b>UNDERWATER LIGHTS</b>		
	1800993	STERN THRUSTER, SIDE PWR 165LB THRST 24V IGPN	1872404	LIGHT, UNDRWTR SV20/12V N/HRNS	
	1813640	LABEL, STERN THRUSTER	1836602	RELAY, HELLA SEALED 5 POS	
13	325191	PLUG, RED BRASS DRAIN 1/2"MPT W/FLANGE	522813	BOX, RECEPTACLE PVC SURFACE MOUNT CARLON	
	162263	PLUG, BRASS 1/2" MPT DRAIN SPARE (PART OF 325191)	147397	COVER PLATE, CARLON BOX SGL	
	1743440	PLUG, BRASS 1/2" MPT SAE LINE #639F-8 (T-CMD QSB 380 (T-364 PHP) DIESEL INBOARDS)	1478841	CONN, NYLON 1/2" ROUND SKIN TOP WATERPROOF	
14	144329	ZINC, TRANSOM ZINC	1836599	CONN, RELAY HOLDER 5 POS	
	15	1878086	<b>WATER DELIVERY - INCLUDES SAFETY PKG &amp; FUEL</b>		
	16	1752438	5181099	FIRE EXT, DRY CHEM HAND-HELD 1A 10BC 2.5OLB	
	522581	DECK PLATE, WASTE SS BLK CLR-CODE W/INT SYMBL	159244	HOOK, ALUM BOAT HOOK	
	522599	DECK PLATE, CAP W/CHAIN (PART OF 1752438)	1779364	KIT, SIGNAL GUN	
	17	1854315	1779365	KIT, FIRST AID	
	1801956	LADDER, SWIM 4-STEP SS TEL TOPMNT W/OFFST RND (HULL# 579 -> UP)	1779366	RING BUOY, RESCUE RING BUOY 20"	
	18	1759993	1779367	ROPE, NYLON DOCKLINE 5/8"X 40'BLK	
	1854315	LADDER, SWIM 4-STEP SS TEL TOPMNT W/OFFST RND (HULL# 579 -> UP)	1779370	FENDER, 8"X 20"WHT (LAND&SEA)	
	1801956	LADDER, SWIM 4-STEP SS TELE TOP MNT W/OFFSET (HULL# 501 -> 578)	1779372	LIFE VEST, ADULT ORANGE TYPE 1 MERCH MATE II	
20	634592	BRACKET, SS GAS CYL FLAT W/BALL STUD	1783536	ROPE, NYLON 3/8" (600'ROLL) (LAND&SEA)	
	21	1424597			
	22	817676			
	23	1098417			
	24	1096262			
	25	141168			
	26	407247			
	27	133678			
	1244367	CORD SET, 120V/30A 50FT POWERCORD PLUS			
	206276	INLET, SHORE POWER WHT 220V/50H 16A			
	206268	CORD SET, 220V/50H 16A 50FT			
	28	829416			
	29	133694			
	136085	CORD SET, TV CABLE 50FT			
	136093	CORD SET, PHONE 50FT			
	30	840868			
	1192368	LIGHT, COURTESY ROUND W/FROSTED LENS 12V/5W BULB, REPL FOR #0840868 12V/5W (PART OF 840868)			
31	1799604	BLKHD, LDPVC 36DB-06 TRNSM WALL OUTBD			
32	855809	ROPE, DOCKLINE STRAP WHT W/HDWR (SHORT STYLE)			

**EXTERIOR (HARDTOP)**



**EXTERIOR (HARDTOP)**

- 1 1878087 36DB 07, HARDTOP, FBRLS
- 2 1818718 NAVIGATOR, SRNIII GPS ANTENNA SITEX
- 3 1816889 HATCH, DECK 20X20 ULTRA II NO CLP W/SNSHD MOD (HULL# 518 -> UP)(ARCHTOP, W/DECK HATCH, LIGHTING & ENCLOSURE)
- 1776804 HATCH, DECK 20X20 ULTRA II NO CLP W/SNSHD SCW (HULL# 501 -> 517)
- 632778 HATCH, O-RING (HULL# 501 -> 517)(PART OF 1776804)
- 632794 HATCH, ALL HATCH SIZES MUSHROOM OR POST (HULL# 501 -> 517)(PART OF 1776804)
- 686360 HATCH, SCREW 1/4" GLASS OR PLEX 89-93 (HULL# 501 -> 517)(PART OF 1776804)
- 701458 HATCH, DECK KNOB ULTRA 92/93 (HULL# 501 -> 517)(PART OF 1776804)
- 701466 HATCH, ARM UNIV PIVOT ALL SIZES (HULL# 501 -> 517)(PART OF 1776804)
- 800862 ARM, DECK HATCH TELESCOPE SHORT BDY BLK PLAS (HULL# 501 -> 517)(PART OF 1776804)
- 800870 ARM, DECK HATCH TELESCOPE ULTRA BDY BLK PLAS (HULL# 501 -> 517)(PART OF 1776804)
- 802801 HANDLE, DECK HATCH LATCHING (HULL# 501 -> 517)(PART OF 1776804)
- 802819 HATCH, ALL HATCH SIZES PIVOT LATCH ADAPTER (HULL# 501 -> 517)(PART OF 1776804)
- 802827 HATCH, HATCH HANDLE (HULL# 501 -> 517)(PART OF 1776804)

- 3 1783188 HATCH, SLIDE PEG (HULL# 501 -> 517)(PART OF 1776804)
- 1783203 HATCH, RING (HULL# 501 -> 517)(PART OF 1776804)
- 1783204 HATCH, COVER (HULL# 501 -> 517)(PART OF 1776804)
- 1783205 HATCH, PLEX SHADE (HULL# 501 -> 517)(PART OF 1776804)
- 1174614 GASKET, DECK HATCH 20X20
- 718080 TRIM RING, HATCH 20X20 1"LIP WHTPC
- 4 1800496 GPS, RAYSTAR RS125 SENSOR NMEA & SEATALK
- 788711 MOUNT, ANTENNA DECK GPS SS
- 5 792325 ANTENNA, TV GLOMAX ASSY W/CONN
- 1803748 MOUNT, ANTENNA TV GLOMAX ASSY W/CONN (PART OF 792325)
- 6 1777084 ANTENNA, 8' PREMIUM VHF ANTENNA W/CONN
- 115311 MOUNT, RATCHET VHF 4-WAY W/1"-14 MALE THD SS
- 122853 FITTING, WATER TIGHT OUTLET FOR 5/16" CABLE
- 1539204 BRACKET, 1/8"X 3.5"X 5" ANTENNA MOUNT
- 7 1408632 RADAR, RAYTHEON 5S 48" ARRAY
- 1772723 RADAR, RAYTHEON 5S 4KW PEDESTAL
- 8 1872874 SUPPORT, RATCHET LIGHT MAST W/HT 64" (LIGHT COMES WITH MAST FROM VENDOR)
- 1802896 SUPPORT, 38DA-06 RATCHET LIGHT MAST W/HT 24" (LIGHT COMES WITH MAST FROM VENDOR) (CE CREDIT FOR STD BRIDGE ENCLOSURE CANVAS)
- 9 802801 HANDLE, DECK HATCH LATCHING
- 10 632794 HATCH, ALL HATCH SIZES MUSHROOM OR POST

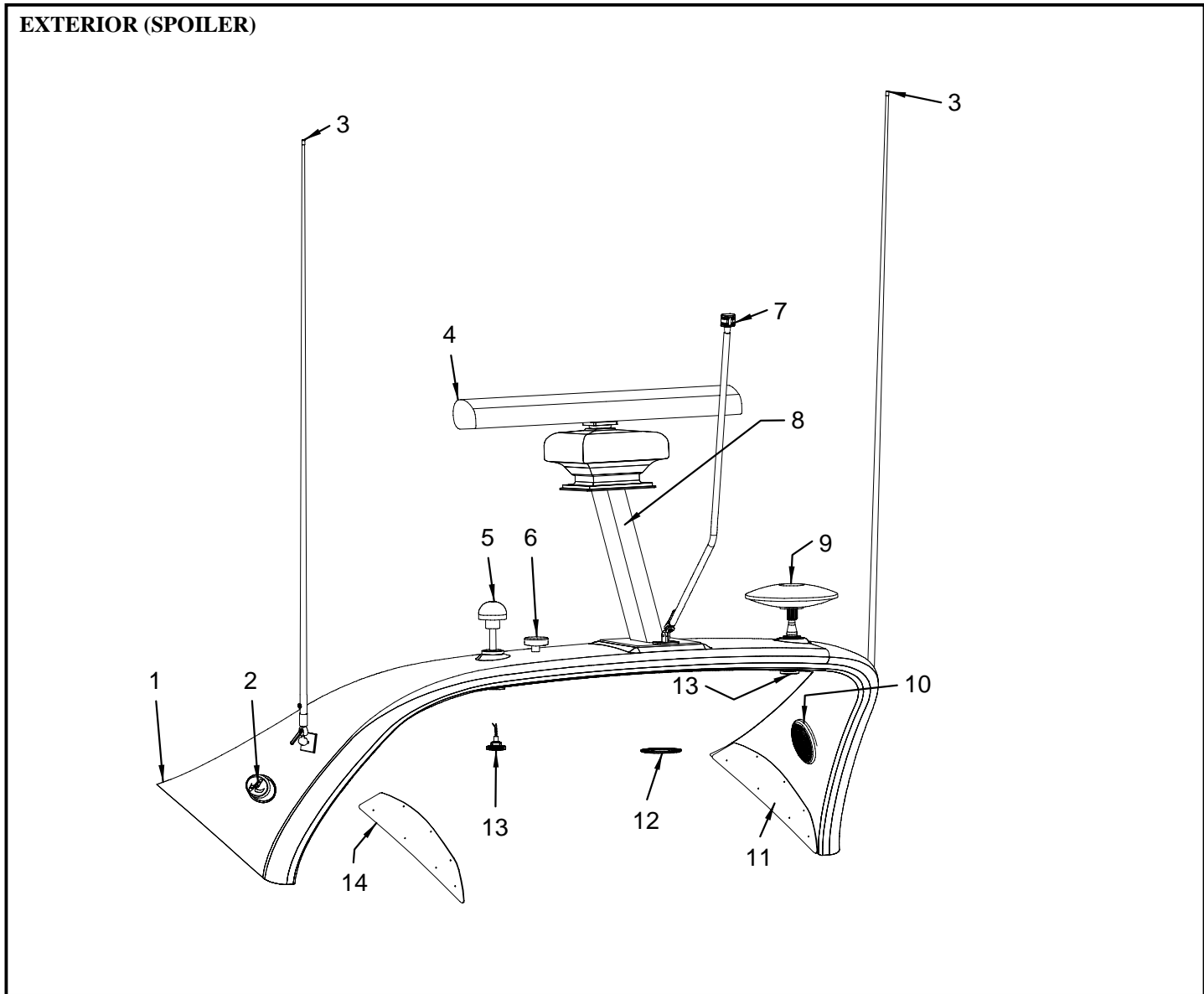
- 11 632778 HATCH, O-RING
- 12 701466 HATCH, ARM UNIV PIVOT ALL SIZES
- 13 701458 HATCH, DECK KNOB ULTRA 92/93
- 800862 ARM, DECK HATCH TELESCOPE SHORT BDY BLK PLAS
- 14 802827 HATCH, HATCH HANDLE
- 15 802793 HATCH, SCREW 3/8" PLEX
- 16 1817435 FRAME, ALUM 36DB-06 ARCH TOP CANVAS
- 17 1690555 SPEAKER, COAXIAL 6.5" W/WHT CVR
- 1690558 GRILL, SPEAKER 6.5" ACOM WHT  
(PART OF 1690555)
- 18 1878368 36DB 07,PNL,ARCH TOP STB CKPT
- 19 1878369 36DB 07,PNL,ARCH TOP PRT CKPT
- 20 1443225 EMBLEM, S/R WAVE 8" OVAL CHR TRNSM
- 21 1817427 PLATE, HDPE 1/4"X 21"X 7.75" W/2.5"RD WHT
- 22 1771016 LIGHT, NAV STERN FLSH MNT RND CHR/BRS W/CONN  
901199 BULB, STERN NAV LIGHT REPL #137406-1227412  
(PART OF 1771016)
- 23 1890164 ANTENNA, SHAKESPEARE SIRIUS SAT RADIO RV1  
(HULL# 584 -> UP)
- 1757933 ANTENNA, SHAKESPEARE SATELLITE RADIO ANTENNA  
(HULL# 501 -> 583)

**LABELS**

- 1765879 LABEL, DANGER DO NOT CLIMB/STORE ON HARDTOP  
(ARCHTOP, W/DECK HATCH, LIGHTING & ENCLOSURE)

**NOT SHOWN**

- 1690169 TRACK, VINYL AWNING WHT "FLEX-A-RAIL" 20'
- 1817427 PLATE, HDPE 1/4"X 21"X 7.75" W/2.5"RD WHT
- 1817179 PLATE, ALUM BACKING ARCH 2"X 2"
- 1817070 BRACE, ALUM 3/8"X 16.5"X 4.25" FWD ARCH
- 1851894 HDWR KIT, 36DB-07 ARCH TOP
- 1849353 RAIL, SS 36DB-06 HARDTOP SUPPORT STB
- 1849352 RAIL, SS 36DB-06 HARDTOP SUPPORT PRT
- 1802901 RAIL, SS GRAB 36DB-06 AFT BRDG ASSY W/ARCHTOP
- 1818956 COVER, LDPVC CKPT ARCH TOP 1/2"ARW
- 1264639 ANTENNA, DSS TRAC VISION 3
- 1854355 ANTENNA, DSS TRAC VISION 3 RCVR  
(PART OF 1264639)
- 1854356 ANTENNA, DSS TRAC VISION 3 REMOTE  
(PART OF 1264639)
- 1854357 EXTENSION, ANTENNA DSS TRAC VSN3 RF COAX CBL  
(PART OF 1264639)



**EXTERIOR (SPOILER)**

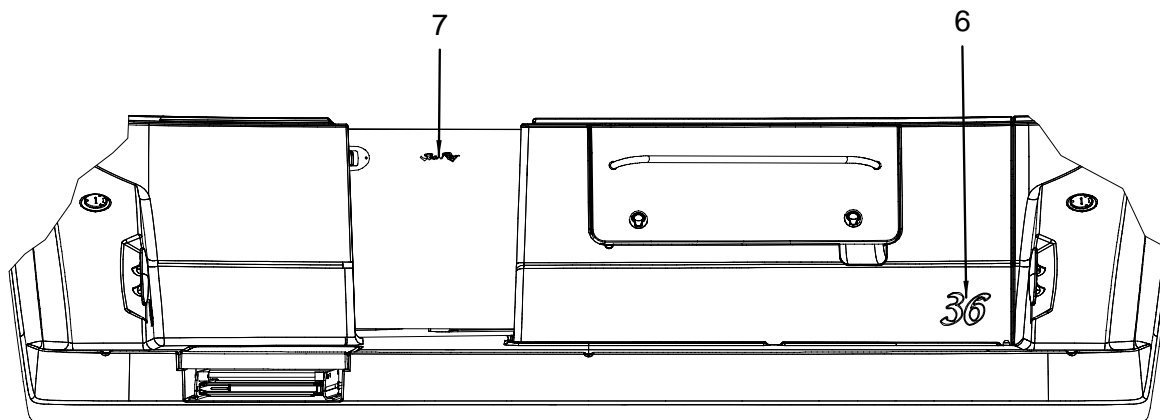
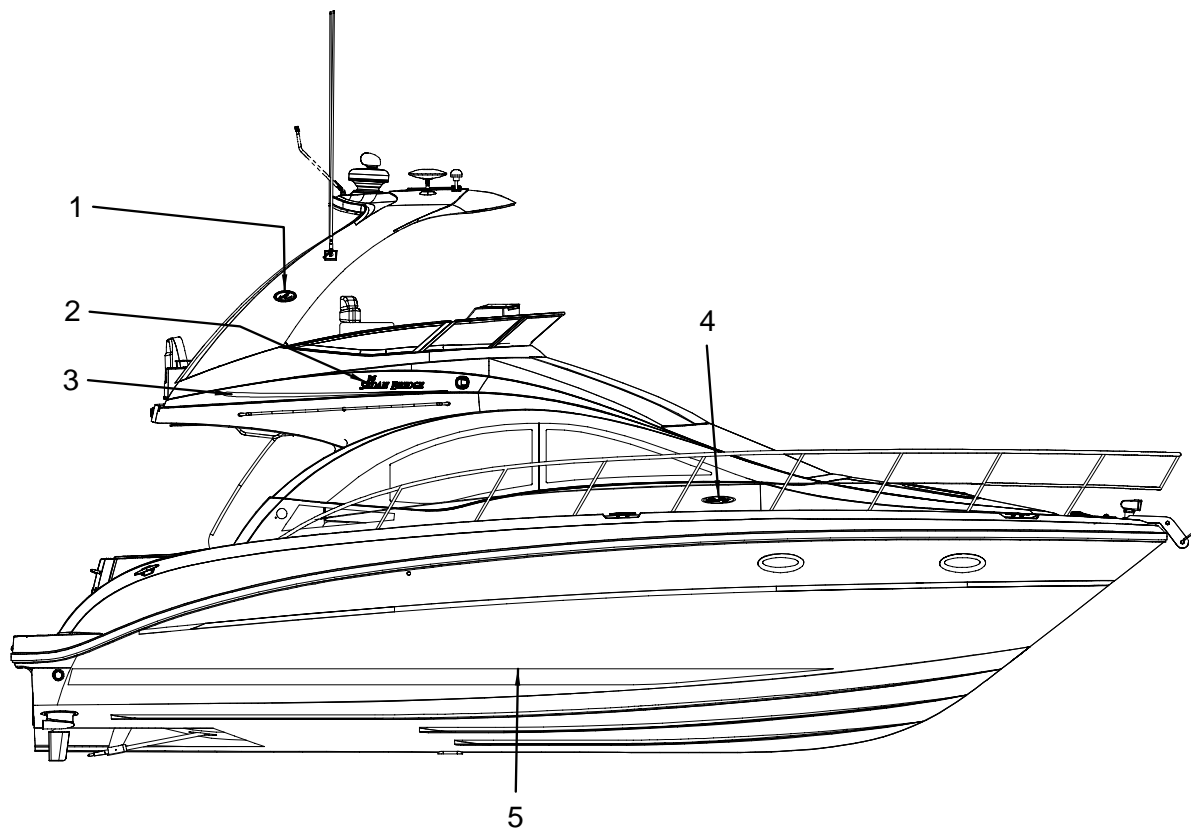
14 1878343 36DB 07,PNL,AFT FACING ARCH PRT CKPT

- 1 1878090 36DB 07,AFT FCNG ARCH,FBRGLS
- 2 1443225 EMBLEM, S/R WAVE 8" OVAL CHR TRNSM
- 3 1777084 ANTENNA, 8'PREMIUM VHF ANTENNA W/CONN  
115311 MOUNT, RATCHET VHF 4-WAY W/1"-14 MALE THD SS  
122853 FITTING, WATER TIGHT OUTLET FOR 5/16" CABLE  
1539204 BRACKET, 1/8"X 3.5"X 5" ANTENNA MOUNT
- 4 1408632 RADAR, RAYTHEON 5S 48" ARRAY
- 5 1800496 GPS, RAYSTAR RS125 SENSOR NMEA & SEATALK
- 6 1818718 NAVIGATOR, SRNIII GPS ANTENNA SITEX
- 7 1872874 SUPPORT, RATCHET LIGHT MAST W/HT 64"  
(LIGHT COMES WITH MAST FROM VENDOR)  
1831113 SUPPORT, 36DB-06 RATCHET LIGHT MAST W/HT 48"  
(LIGHT COMES WITH MAST FROM VENDOR)  
(CE CREDIT FOR STD BRIDGE ENCLOSURE CANVAS)
- 8 1831114 PEDESTAL, RADAR ALUM 24.5"WHT NRTHSTR/SRN  
1891780 PEDESTAL, 36DB RADAR N/ARCHTOP
- 9 792325 ANTENNA, TV GLOMAX ASSY W/CONN  
1803748 MOUNT, ANTENNA TV GLOMAX ASSY W/CONN  
(PART OF 792325)
- 10 1690555 SPEAKER, COAXIAL 6.5" W/WHT CVR  
1690558 GRILL, SPEAKER 6.5" ACOM WHT  
(PART OF 1690555)
- 11 1878342 36DB 07,PNL,AFT FCNG ARCH STB CKPT
- 12 513895 ACCESS PLATE, PAINTED PLAS 5" WHT
- 13 707158 LIGHT, NAV MASTHEAD COMBO WHT 4"  
646356 BULB, DBL END 12V FOR #0256313/794826  
(PART OF 707158)

**NOT SHOWN**

- 1852094 PANEL, HDPE ACCESS ARCH
- 1817100 BRACE, ALUM 3/8"X 16.5"X 4.25" AFT ARCH
- 1317643 ANTENNA, EXTENSION 12" GPS ALUM/POLY
- 1848682 SHIM, HDPE 36DB-07 ANTENNA MNT
- 1264639 ANTENNA, DSS TRAC VISION 3
- 1854355 ANTENNA, DSS TRAC VISION 3 RCVR  
(PART OF 1264639)
- 1854356 ANTENNA, DSS TRAC VISION 3 REMOTE  
(PART OF 1264639)
- 1854357 EXTENSION, ANTENNA DSS TRAC VSN3 RF COAX CBL  
(PART OF 1264639)

EXTERIOR (GRAPHICS)

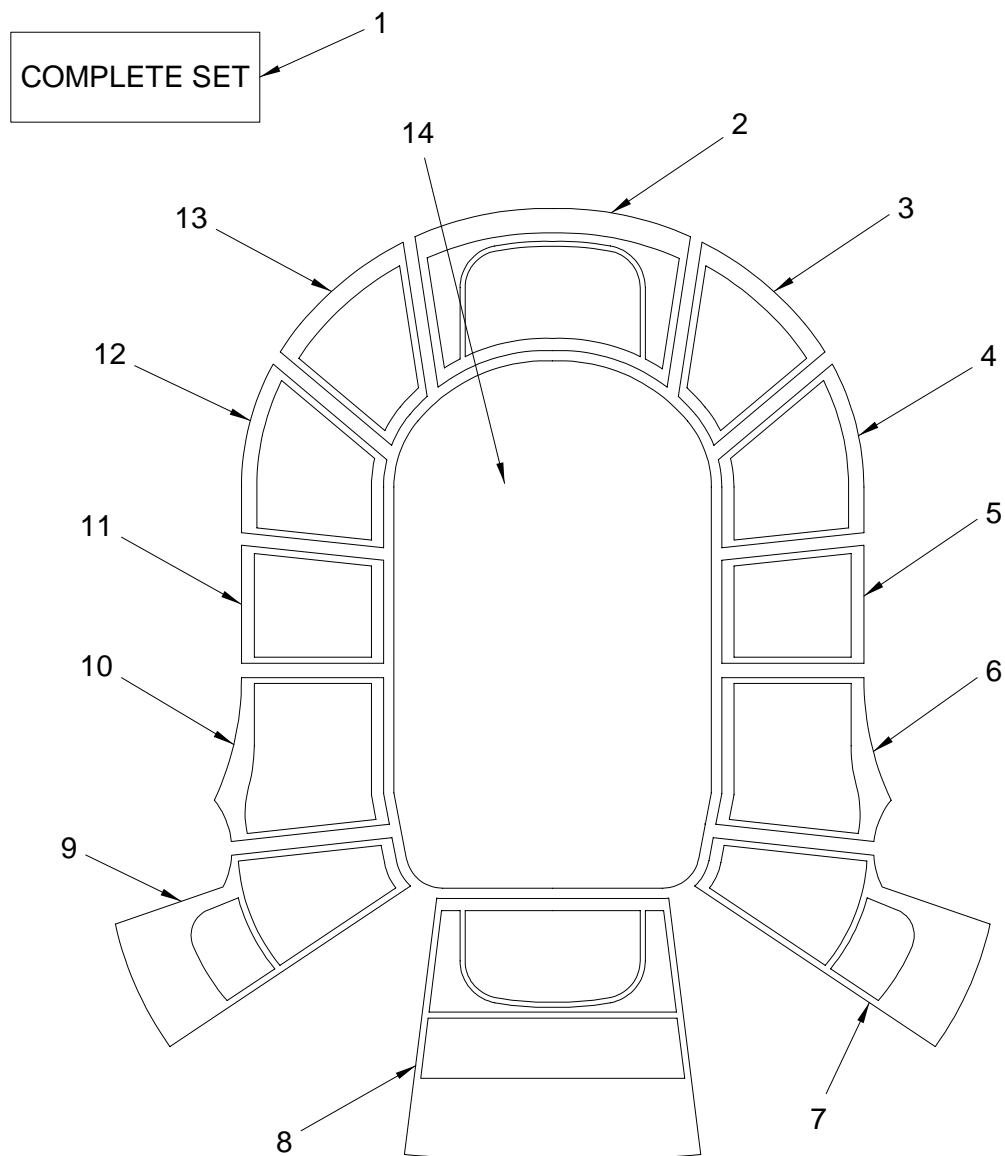


EXTERIOR (GRAPHICS)

- 1 1443225 EMBLEM, S/R WAVE 8" OVAL CHR TRNSM
- 2 1799994 EMBLEM, MODEL DESG 36 SEDAN BRIDGE PWTR/BLK
- 1800015 EMBLEM, MODEL DESG 375 SEDAN BRIDGE PWTR/BLK  
(**"375DB" MODEL DESIGNATORS**)
- 3 1817319 TAPE, APP 36DB-06 BRDG STRIPE PWTR PRT
- 1817325 TAPE, APP 36DB-06 BRDG STRIPE PWTR STB
- 4 1443183 EMBLEM, "SEA RAY" SCRIPT HULL LOGO CHR 13"
- 5 1743877 TAPE, M/S 4.5" W/3/4"VOID SLVR MET BLK
- 1686538 TAPE, M/S 5"W/3/4"VOID BLUE/WELLAMETHYST
- 1745812 TAPE, M/S 4.5" W/3/4"VOID WHT  
(**BLUE, BLACK HULLS**)
- 1790430 TAPE, M/S 4.5" W/3/4" VOID, BLK/PRLMET  
(**PEWTER HULL**)
- 6 1805034 TAPE, MODEL NUMERATOR 36 PWTR/BLK
- 1805063 TAPE, MODEL NUMERATOR 375 PWTR/BLK  
(**"375DB" MODEL DESIGNATORS**)
- 7 188060 EMBLEM, "SEA RAY" SCRIPT CHROME 5"



CANVAS, AFT FACING ARCH



**CANVAS, AFT FACING ARCH**

1	1833627	CANVAS, 36DB-06 BRDG ENCL W/FLR AFT ARCH BLK
	1833626	CANVAS, 36DB-06 BRDG ENCL W/FLR AFTARCH CAPNV
	1798642	CANVAS, 36DB-06 BRDG ENCL W/FLR AFT ARCH TST
2	1893788	CANVAS, 36DB-06 BRDG ENCL AFA CTR FWD BLK
	1893803	CANVAS, 36DB-06 BRDG ENCL AFA CTR FWD CPNVY
	1893821	CANVAS, 36DB-06 BRDG ENCL AFA CTR FWD TST
3	1893797	CANVAS, 36DB-06 BRDG ENCL AFA STB FWD BLK
	1893812	CANVAS, 36DB-06 BRDG ENCL AFA STB FWD CPNVY
	1893832	CANVAS, 36DB-06 BRDG ENCL AFA STB FWD TST
4	1893789	CANVAS, 36DB-06 BRDG ENCL AFA STBSIDE FWD BLK
	1893804	CANVAS, 36DB-06 BRDG ENCL AFA STBSIDE FWD CNY
	1893822	CANVAS, 36DB-06 BRDG ENCL AFA STBSIDE FWD TST
5	1893799	CANVAS, 36DB-06 BRDG ENCL AFA STBSIDE CTR BLK
	1893814	CANVAS, 36DB-06 BRDG ENCL AFA STBSIDE CTR CNY
	1893835	CANVAS, 36DB-06 BRDG ENCL AFA STBSIDE CTR TST
6	1893795	CANVAS, 36DB-06 BRDG ENCL AFA STBSIDE AFT BLK
	1893810	CANVAS, 36DB-06 BRDG ENCL AFA STBSIDE AFT CNY
	1893829	CANVAS, 36DB-06 BRDG ENCL AFA STBSIDE AFT TST
7	1893793	CANVAS, 36DB-06 BRDG ENCL AFA STB AFT BLK
	1893808	CANVAS, 36DB-06 BRDG ENCL AFA STB AFT CPNVY
	1893827	CANVAS, 36DB-06 BRDG ENCL AFA STB AFT TST
8	1893791	CANVAS, 36DB-06 BRDG ENCL AFA CTR AFT BLK
	1893806	CANVAS, 36DB-06 BRDG ENCL AFA CTR AFT CPNVY
	1893824	CANVAS, 36DB-06 BRDG ENCL AFA CTR AFT TST
9	1893792	CANVAS, 36DB-06 BRDG ENCL AFA PRT AFT BLK
	1893807	CANVAS, 36DB-06 BRDG ENCL AFA PRT AFT CPNVY
	1893825	CANVAS, 36DB-06 BRDG ENCL AFA PRT AFT TST
10	1893794	CANVAS, 36DB-06 BRDG ENCL AFA PRTSIDE AFT BLK
	1893809	CANVAS, 36DB-06 BRDG ENCL AFA PRTSIDE AFT CNY
	1893828	CANVAS, 36DB-06 BRDG ENCL AFA PRTSIDE AFT TST
11	1893798	CANVAS, 36DB-06 BRDG ENCL AFA PRTSIDE CTR BLK
	1893813	CANVAS, 36DB-06 BRDG ENCL AFA PRTSIDE CTR CNY
	1893834	CANVAS, 36DB-06 BRDG ENCL AFA PRTSIDE CTR TST
12	1893790	CANVAS, 36DB-06 BRDG ENCL AFA PRTSIDE FWD BLK
	1893805	CANVAS, 36DB-06 BRDG ENCL AFA PRTSIDE FWD CNY
	1893823	CANVAS, 36DB-06 BRDG ENCL AFA PRTSIDE FWD TST
13	1893796	CANVAS, 36DB-06 BRDG ENCL AFA PRT FWD BLK
	1893811	CANVAS, 36DB-06 BRDG ENCL AFA PRT FWD CPNVY
	1893830	CANVAS, 36DB-06 BRDG ENCL AFA PRT FWD TST
14	1833631	CANVAS, 36DB-06 BRDG BIM TOP AFT ARCH BLK
	1833630	CANVAS, 36DB-06 BRDG BIM TOP AFT ARCH CAPTNVY
	1833629	CANVAS, 36DB-06 BRDG BIM TOP AFT ARCH TST

**BRIDGE COVER**

1893781	CANVAS, 36DB-07 BRDG CVR STD AFA BLK
1893782	CANVAS, 36DB-07 BRDG CVR STD AFA CAPT NAVY
1883977	CANVAS, 36DB-07 BRDG CVR STD TST
1893783	CANVAS, 36DB-07 BRDG CVR EURO AFA BLK
1893784	CANVAS, 36DB-07 BRDG CVR EURO AFA CAPT NAVY
1893785	CANVAS, 36DB-07 BRDG CVR EURO AFA TST

**CANVAS**

1180025	CANVAS, SUNBRELLA TOAST TWEED 60"
---------	-----------------------------------

**CANVAS RAW MATERIAL**

1216282	UPH PARTS, FOAM EDGE 1/2"X 1/4"
1256932	BINDING, CANVAS 7/8" TOAST TWEED SUNBRELLA
1271634	CANVAS, SLIT 4" TOAST TWEED #2389
156893	WEBBING, POLYPROPYLENE 1" BLACK

**DASH COVER**

1893778	CANVAS, 36DB-07 DASH CVR AFA BLK
1893779	CANVAS, 36DB-07 DASH CVR AFA CAPT NAVY
1893780	CANVAS, 36DB-07 DASH CVR AFA TST

**LABELS**

1738706	TAG, CANVAS TOP WARN BOAT UNDERWAY U/V RES
1740437	TAG, WARN S/S NOT TO BE USED 45MPH U/V RES
889758	TAG, CO DANGER (CANVAS)

**NOT SHOWN**

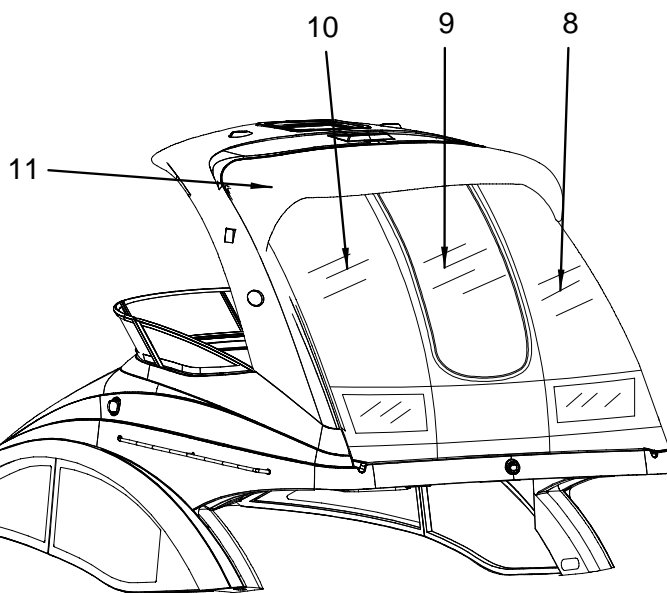
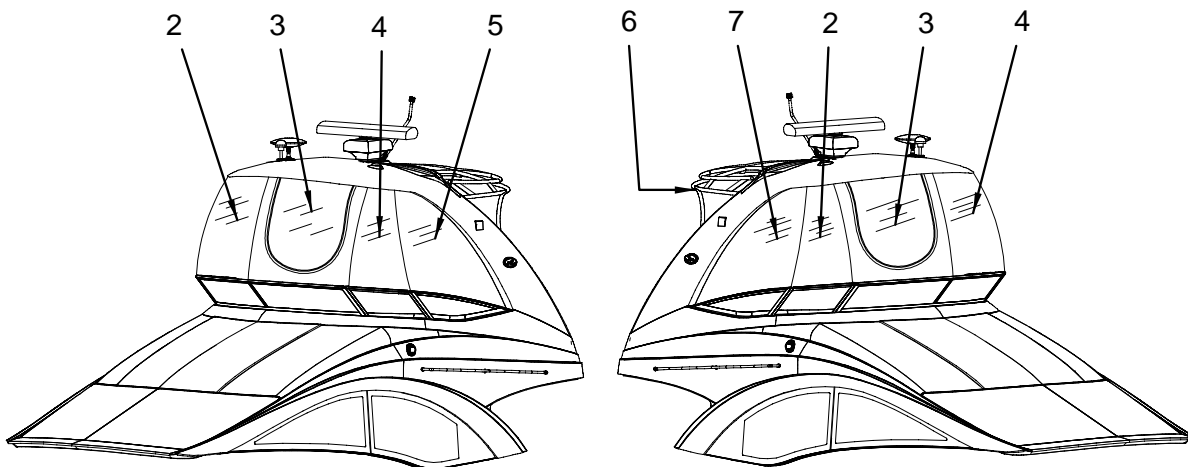
1833633	FRAME, SS 36DB-06 BIMINI CANVAS AFT FACE ARCH
1690169	TRACK, VINYL AWNING WHT "FLEX-A-RAIL" 20'
1839168	INSERT, 54X24 OMNOVA 1/4"FB W/8.5"AMBRFRST
1839169	INSERT, 54X24 OMNOVA 1/4"FB W/8.5" MIDB

**WINDSHIELD COVER**

1854316	CANVAS, FWD BRDG CVR/SHD BLK MESH (WINDSHEILD COVER MESH)
1893786	CANVAS, FWD BRDG CVR/SHD CAPT NAVY MESH (WINDSHEILD COVER MESH)
1893787	CANVAS, FWD BRDG CVR/SHD TST MESH (WINDSHEILD COVER MESH)
1879863	CANVAS, SLN W/S PRIVACY CVR/SHD BLK (WINDSHEILD COVER SUNBRELLA)
1879858	CANVAS, SLN W/S PRIVACY CVR/SHD CAPT NVY (WINDSHEILD COVER SUNBRELLA)
1879865	CANVAS, SLN W/S PRIVACY CVR/SHD TST (WINDSHEILD COVER SUNBRELLA)

CANVAS (HARDTOP ENCLOSURE LAYOUT)

1 → CANVAS COMPLETE



**CANVAS (HARDTOP ENCLOSURE LAYOUT)**

1	1836284	CANVAS, 36DB-06 BRDG ENCL ARCH TOP BLK
	1836283	CANVAS, 36DB-06 BRDG ENCL ARCH TOP CAPT NAVY
	1836282	CANVAS, 36DB-06 BRDG ENCL ARCH TOP TST
2	1893729	CANVAS, 36DB-06 BRDG ENCL ATOP STB BLK
	1893737	CANVAS, 36DB-06 BRDG ENCL ATOP STB CAPT NAVY
	1893745	CANVAS, 36DB-06 BRDG ENCL ATOP STB TST
3	1893727	CANVAS, 36DB-06 BRDG ENCL ATOP CTR BLK
	1893735	CANVAS, 36DB-06 BRDG ENCL ATOP CTR CAPT NAVY
	1893743	CANVAS, 36DB-06 BRDG ENCL ATOP CTR TST
4	1893728	CANVAS, 36DB-06 BRDG ENCL ATOP PRT BLK
	1893736	CANVAS, 36DB-06 BRDG ENCL ATOP PRT CAPT NAVY
	1893744	CANVAS, 36DB-06 BRDG ENCL ATOP PRT TST
5	1893732	CANVAS, 36DB-06 BRDG ENCL ATOP PRT FWD BLK
	1893740	CANVAS, 36DB-06 BRDG ENCL ATOP PRT FWD CPNVY
	1893748	CANVAS, 36DB-06 BRDG ENCL ATOP PRT FWD TST
6	1817435	FRAME, ALUM 36DB-06 ARCH TOP CANVAS
7	1893733	CANVAS, 36DB-06 BRDG ENCL ATOP STB FWD BLK
	1893741	CANVAS, 36DB-06 BRDG ENCL ATOP STB FWD CPNVY
	1893749	CANVAS, 36DB-06 BRDG ENCL ATOP STB FWD TST
8	1893731	CANVAS, 36DB-06 BRDG ENCL ATOP STB AFT BLK
	1893739	CANVAS, 36DB-06 BRDG ENCL ATOP STB AFT CPNVY
	1893747	CANVAS, 36DB-06 BRDG ENCL ATOP STB AFT TST
9	1893734	CANVAS, 36DB-06 BRDG ENCL ATOP CTR AFT BLK
	1893742	CANVAS, 36DB-06 BRDG ENCL ATOP CTR AFT CPNVY
	1893750	CANVAS, 36DB-06 BRDG ENCL ATOP CTR AFT TST
10	1893730	CANVAS, 36DB-06 BRDG ENCL ATOP PRT AFT BLK
	1893738	CANVAS, 36DB-06 BRDG ENCL ATOP PRT AFT CPNVY
	1893746	CANVAS, 36DB-06 BRDG ENCL ATOP PRT AFT TST
11	1836722	CANVAS, 36DB-06 BRDG SNSHD TOP ARCH TOP BLK
	1836721	CANVAS, 36DB-06 BRDG SNSHD TOP ARCHTOP CAPNVY
	1836720	CANVAS, 36DB-06 BRDG SNSHD TOP ARCH TOP TST
	1601673	CANVAS, 360DA-02 SNSHD BOWS W/STNDOFF/HDWR

**BRIDGE COVER**

1893725	CANVAS, 36DB-06 BRDG CVR ATOP BLK
1893726	CANVAS, 36DB-06 BRDG CVR ATOP CAPT NAVY
1798641	CANVAS, 36DB-06 BRDG CVR TST

**DASH COVER**

1893723	CANVAS, 36DB-06 DASH CVR ATOP BLK
1893724	CANVAS, 36DB-06 DASH CVR ATOP CAPT NAVY
1833621	CANVAS, 36DB-06 DASH CVR TST

**NOT SHOWN**

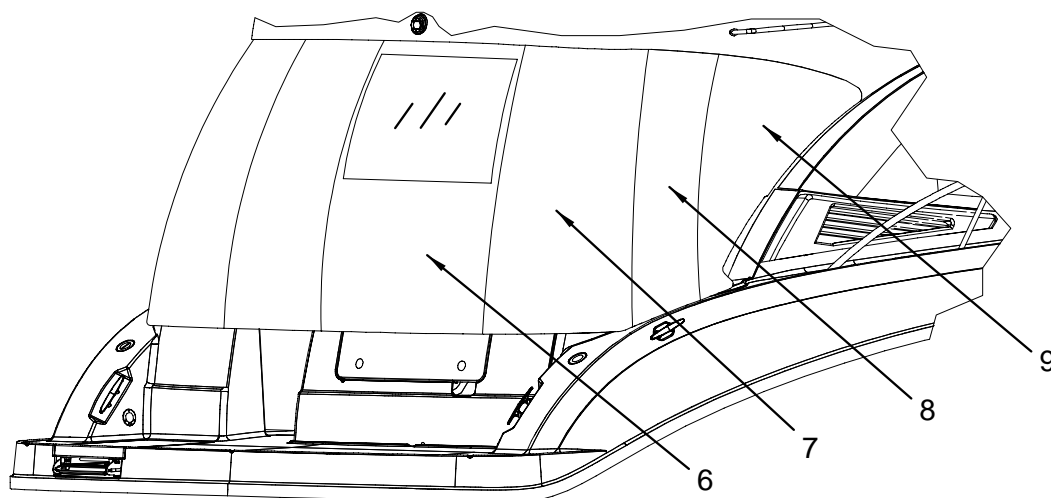
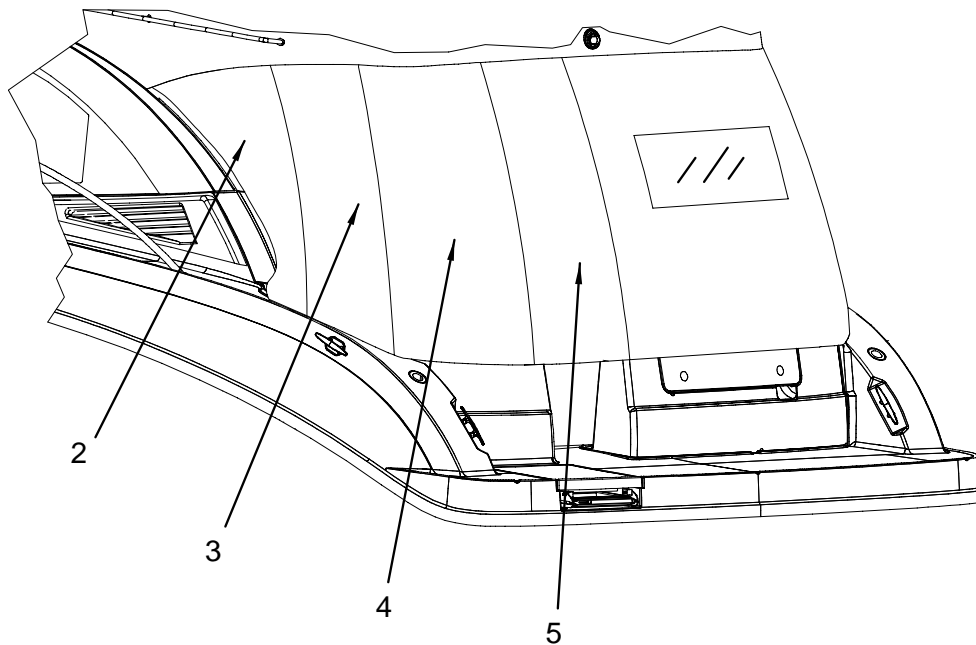
773226	ROPE, NYLON 1/8" BLACK BRAIDED (LASHES THE CANVAS EYELETS TOGETHER)
--------	--

**WINDSHIELD COVER**

1854316	CANVAS, FWD BRDG CVR/SHD BLK MESH (WINDSHEILD COVER MESH)
1893786	CANVAS, FWD BRDG CVR/SHD CAPT NAVY MESH (WINDSHEILD COVER MESH)
1893787	CANVAS, FWD BRDG CVR/SHD TST MESH (WINDSHEILD COVER MESH)
1879863	CANVAS, SLN W/S PRIVACY CVR/SHD BLK (WINDSHEILD COVER SUNBRELLA)
1879858	CANVAS, SLN W/S PRIVACY CVR/SHD CAPT NAVY (WINDSHEILD COVER SUNBRELLA)
1879865	CANVAS, SLN W/S PRIVACY CVR/SHD TST (WINDSHEILD COVER SUNBRELLA)

CANVAS (COCKPIT COVER) AFT FACING ARCH

1 → COCKPIT COVER COMPLETE

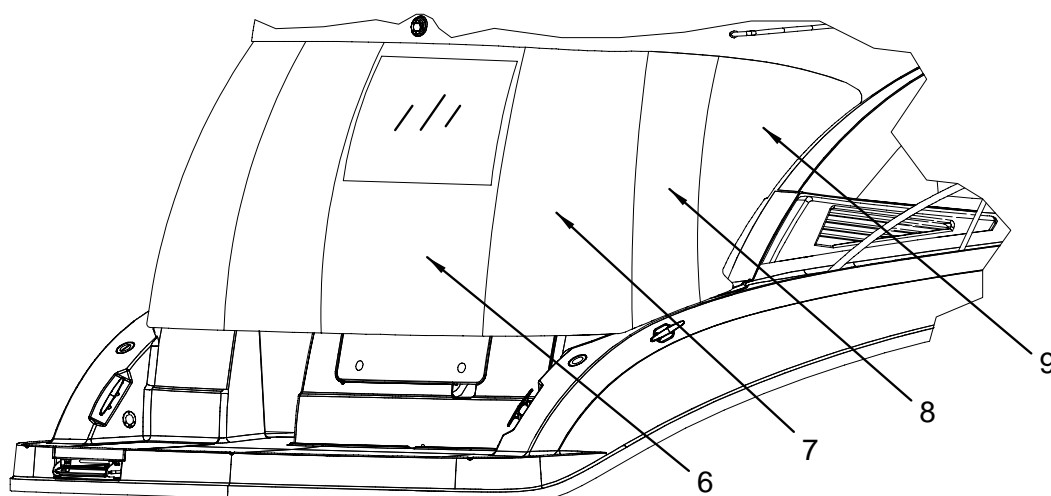
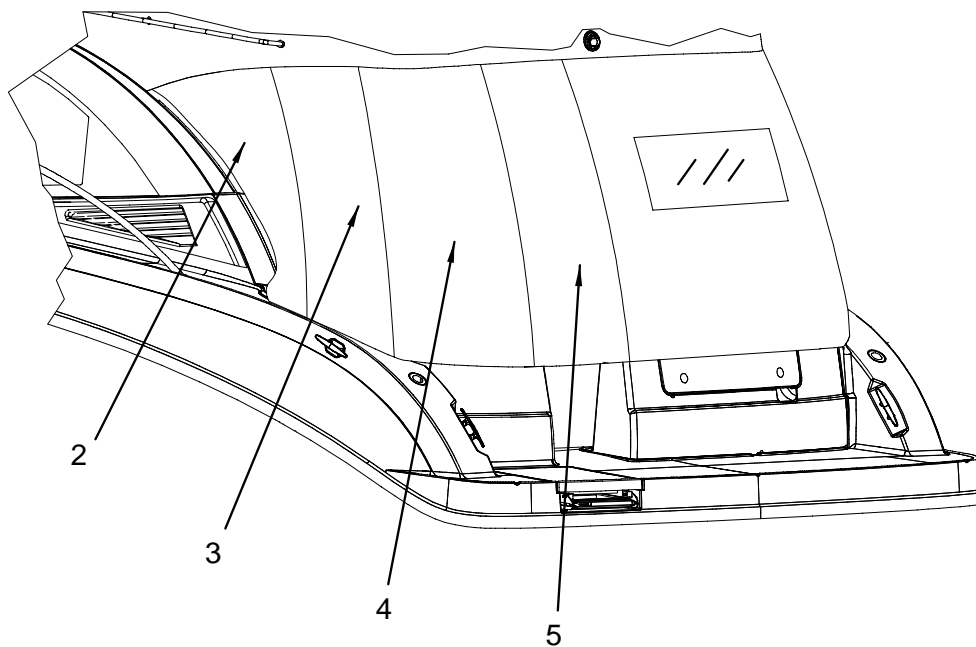


## CANVAS (COCKPIT COVER) AFT FACING ARCH

- 1 1798640 CANVAS, 36DB-06 CKPT AFT CURT SET TST  
(BOATSWAINS CALLS THIS CKPT COVER)
- 1833622 CANVAS, 36DB-06 CKPT AFT CURT SET CAPT NAVY  
(BOATSWAINS CALLS THIS CKPT COVER)
- 1833623 CANVAS, 36DB-06 CKPT AFT CURT SET BLK  
(BOATSWAINS CALLS THIS CKPT COVER)
- 2 1893841 CANVAS, 36DB-06 CKPT CVR AFA PRT FWD BLK
- 1893881 CANVAS, 36DB-06 CKPT CVR AFA PRT FWD CPNVY
- 1893889 CANVAS, 36DB-06 CKPT CVR AFA PRT FWD TST
- 3 1893871 CANVAS, 36DB-06 CKPT CVR AFA PRT BLK
- 1893883 CANVAS, 36DB-06 CKPT CVR AFA PRT CPNVY
- 1893891 CANVAS, 36DB-06 CKPT CVR AFA PRT TST
- 4 1893873 CANVAS, 36DB-06 CKPT CVR AFA PRT AFT CTR BLK
- 1893885 CANVAS, 36DB-06 CKPT CVR AFA PRT AFT CTR CNVY
- 1893893 CANVAS, 36DB-06 CKPT CVR AFA PRT AFT CTR TST
- 5 1893879 CANVAS, 36DB-06 CKPT CVR AFA PRT AFT BLK  
(DOOR)
- 1893887 CANVAS, 36DB-06 CKPT CVR AFA PRT AFT CNVY  
(DOOR)
- 1893895 CANVAS, 36DB-06 CKPT CVR AFA PRT AFT TST  
(DOOR)
- 6 1893880 CANVAS, 36DB-06 CKPT CVR AFA STB AFT BLK  
(WITH WINDOW)
- 1893888 CANVAS, 36DB-06 CKPT CVR AFA STB AFT CNVY  
(WITH WINDOW)
- 1893896 CANVAS, 36DB-06 CKPT CVR AFA STB AFT TST  
(WITH WINDOW)
- 7 1893878 CANVAS, 36DB-06 CKPT CVR AFA STB AFT CTR BLK
- 1893886 CANVAS, 36DB-06 CKPT CVR AFA STB AFT CTR CNVY
- 1893894 CANVAS, 36DB-06 CKPT CVR AFA STB AFT CTR TST
- 8 1893872 CANVAS, 36DB-06 CKPT CVR AFA STB BLK
- 1893884 CANVAS, 36DB-06 CKPT CVR AFA STB CPNVY
- 1893892 CANVAS, 36DB-06 CKPT CVR AFA STB TST
- 9 1893870 CANVAS, 36DB-06 CKPT CVR AFA STB FWD BLK
- 1893882 CANVAS, 36DB-06 CKPT CVR AFA STB FWD CPNVY
- 1893890 CANVAS, 36DB-06 CKPT CVR AFA STB FWD TST

CANVAS (COCKPIT COVER) ARCH TOP

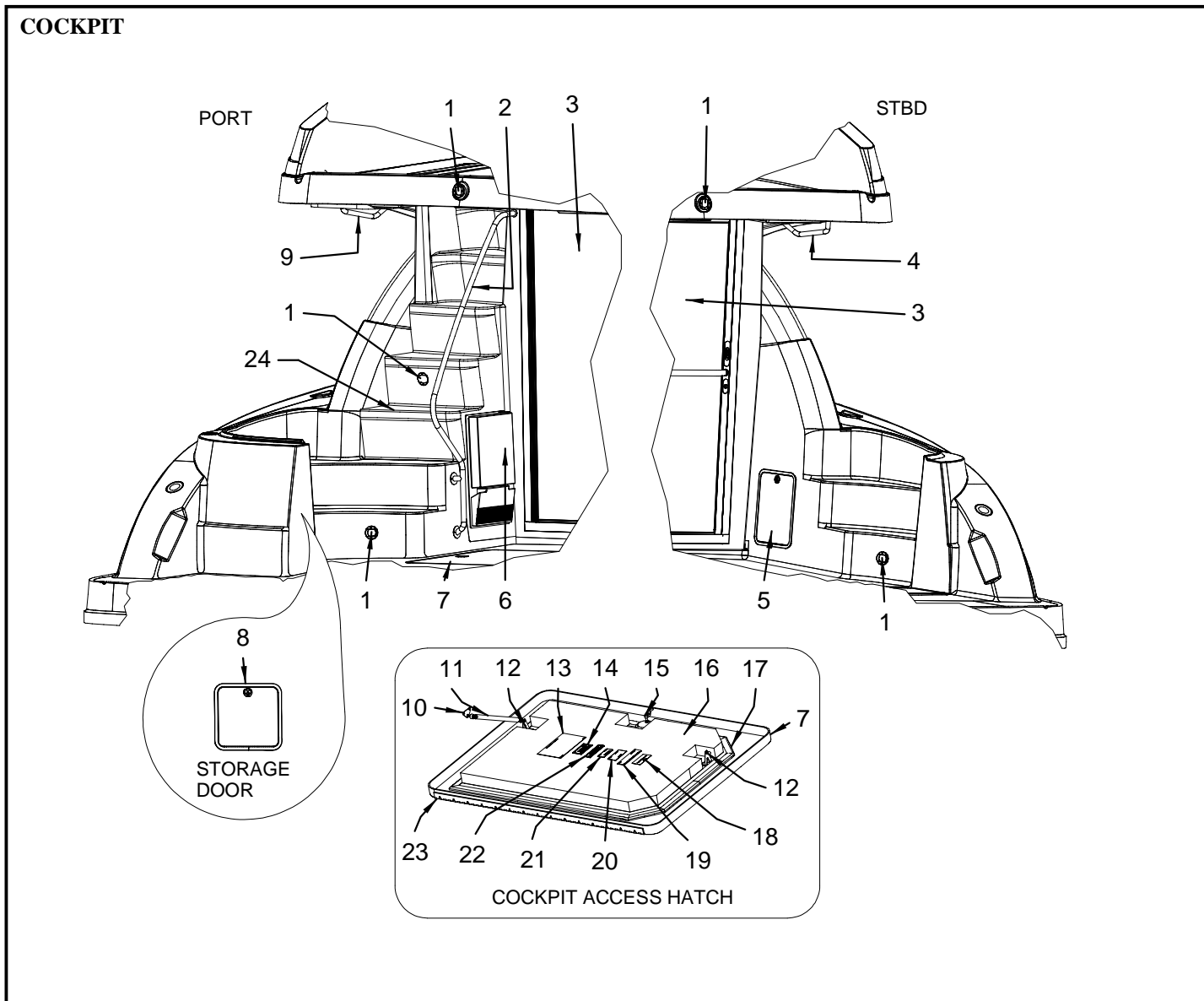
1 → COCKPIT COVER COMPLETE



## CANVAS (COCKPIT COVER) ARCH TOP

- 1 1894190 CANVAS, 36DB-06 CKPT ATOP CURT SET BLK  
(BOATSWAINS CALLS THIS CKPT COVER)
- 1894191 CANVAS, 36DB-06 CKPT ATOP CURT SET CAPT NAVY  
(BOATSWAINS CALLS THIS CKPT COVER)
- 1894192 CANVAS, 36DB-06 CKPT ATOP CURT SET TST  
(BOATSWAINS CALLS THIS CKPT COVER)
- 2 1893758 CANVAS, 36DB-06 CKPT CVR ATOP PRT FWD BLK
- 1893766 CANVAS, 36DB-06 CKPT CVR ATOP PRT FWD CPNVY
- 1893774 CANVAS, 36DB-06 CKPT CVR ATOP PRT FWD TST
- 3 1893755 CANVAS, 36DB-06 CKPT CVR ATOP PRT BLK
- 1893764 CANVAS, 36DB-06 CKPT CVR ATOP PRT CAPT NAVY
- 1893772 CANVAS, 36DB-06 CKPT CVR ATOP PRT TST
- 4 1893753 CANVAS, 36DB-06 CKPT CVR ATOP PRT AFT CTR BLK
- 1893762 CANVAS, 36DB-06 CKPT CVR ATOP PRT AFT CTR CNY
- 1893770 CANVAS, 36DB-06 CKPT CVR ATOP PRT AFT CTR TST
- 5 1893752 CANVAS, 36DB-06 CKPT CVR ATOP PRT AFT BLK  
(DOOR)
- 1893761 CANVAS, 36DB-06 CKPT CVR ATOP PRT AFT CPNVY  
(DOOR)
- 1893769 CANVAS, 36DB-06 CKPT CVR ATOP PRT AFT TST  
(DOOR)
- 6 1893751 CANVAS, 36DB-06 CKPT CVR ATOP STB AFT BLK  
(WITH WINDOW)
- 1893760 CANVAS, 36DB-06 CKPT CVR ATOP STB AFT CPNVY  
(WITH WINDOW)
- 1893768 CANVAS, 36DB-06 CKPT CVR ATOP STB AFT TST  
(WITH WINDOW)
- 7 1893754 CANVAS, 36DB-06 CKPT CVR ATOP STB AFT CTR BLK
- 1893763 CANVAS, 36DB-06 CKPT CVR ATOP STB AFT CTR CNY
- 1893771 CANVAS, 36DB-06 CKPT CVR ATOP STB AFT CTR TST
- 8 1893757 CANVAS, 36DB-06 CKPT CVR ATOP STB BLK
- 1893765 CANVAS, 36DB-06 CKPT CVR ATOP STB CAPT NAVY
- 1893773 CANVAS, 36DB-06 CKPT CVR ATOP STB TST
- 9 1893759 CANVAS, 36DB-06 CKPT CVR ATOP STB FWD BLK
- 1893767 CANVAS, 36DB-06 CKPT CVR ATOP STB FWD CPNVY
- 1893775 CANVAS, 36DB-06 CKPT CVR ATOP STB FWD TST





**COCKPIT**

- 1 1771016 LIGHT, NAV STERN FLSH MNT RND CHR/BRS W/CONN
- 901199 BULB, STERN NAV LIGHT REPL #137406-1227412  
(PART OF 1771016)
- 2 1802873 RAIL, SS GRAB 36DB-06 BRDG/CKPT STAIRWAY
- 3 1883311 DOOR, 36DB-07 CABIN ENTRY W/MBLLA LCK WO/SCRN  
(HULL# 553 -> UP)
- 1883312 SCREEN, 36DB-07 CABIN ENTRY W/FRAME  
(HULL# 553 -> UP)
- 1798645 DOOR, 36DB-06 CABIN ENTRY W/MOBELLA LCK  
(HULL# 501 -> 552)
- 1883352 SCREEN, DOOR 36DB-06 CABIN ENTRY  
(HULL# 501 -> 522)(PART OF 1798645)
- 1883354 LOCK, DOOR 36DB-06 CABIN ENTRY  
(HULL# 501 -> 522)(PART OF 1798645)
- 4 1802880 RAIL, SS GRAB 36DB-06 BRDG/CKPT WING STB
- 5 1816384 DOOR, HDPE 17"X 22"W/FRM/12"DEEP BOX ARW
- 6 893263 SWITCH, BLANK IDEA-SERIES GREY
- 893289 FRAME, IDEA-SERIES 3-GANG SUPPORT FRAME GREY
- 864678 ICE MAKER, 23 LB WHT W/FLNGE CFC FREE 120V/60  
(SEE WATER SYSTEM ICE MAKER)  
(COCKPIT ICE MAKER - 120V/60)
- 864686 ICE MAKER, 23 LB WHT W/FLNGE CFC FREE 220V/50  
(SEE WATER SYSTEM ICE MAKER)  
(COCKPIT ICE MAKER - 220V/50)
- 7 1878088 36DB 07,HATCH,BLG SERVICE CKPT FBRGLS
- 8 1783294 DOOR, STRG N/NTCH W/17X17 WHT FRM L/R W/STHCO
- 9 1802877 RAIL, SS GRAB 36DB-06 BRDG/CKPT WING PRT

- 10 634592 BRACKET, SS GAS CYL FLAT W/BALL STUD
- 11 1802814 CYLINDER, GAS SS 70PSI 26"EXT X 15"COMP
- 12 732792 BRACKET, SS GAS CYL 90DEG 2.062" W/STUD
- 13 1744734 LABEL, MANUAL BULKHEAD (LEXAN)
- 14 1745156 LABEL, NOTICE OVERBOARD DISCHARGE (LEXAN)
- 15 1690323 PULL, FLUSH HATCH SS T-HNDL W/EMRG HNDL ROUND
- 16 770404 INSULATION, 2" ACOUSTICAL 4.5'X 6' ALUM
- 17 1396142 MOLDING, FOAM RBR "D-SHAPE" 1.75" W/HAT ADH
- 18 1751885 LABEL, CAUTION: PRIOR TO TOWING VESSEL
- 19 1745514 LABEL, PREVENT DISCHARGE OF POLLUTANTS
- 20 1745513 LABEL, WARNING LEAKING FUEL
- 21 1745512 LABEL, STAY CLEAR OF MOVING PARTS ON ENGINE
- 22 1746895 LABEL, CHECK BATTERY CELL FLUID LEVEL
- 23 1590736 HINGE, SS CONT 2"X 44"X 1/8"PIN
- 24 1837524 FLOOR, TEAK 36DB-06 CKPT W/GLUE/INSTAL  
(TEAK BRIDGE STEPS, COCKPIT & SWIM PLATFORM)

**COVER PLATES**

- 1759067 COVER, HDPE ACCESS 6"X 12"X 1/4" W1/2"RD
- 1818607 COVER, LDPVC CKPT ACCESS PRT 1/2"ARW
- 513895 ACCESS PLATE, PAINTED PLAS 5" WHT

**LABELS**

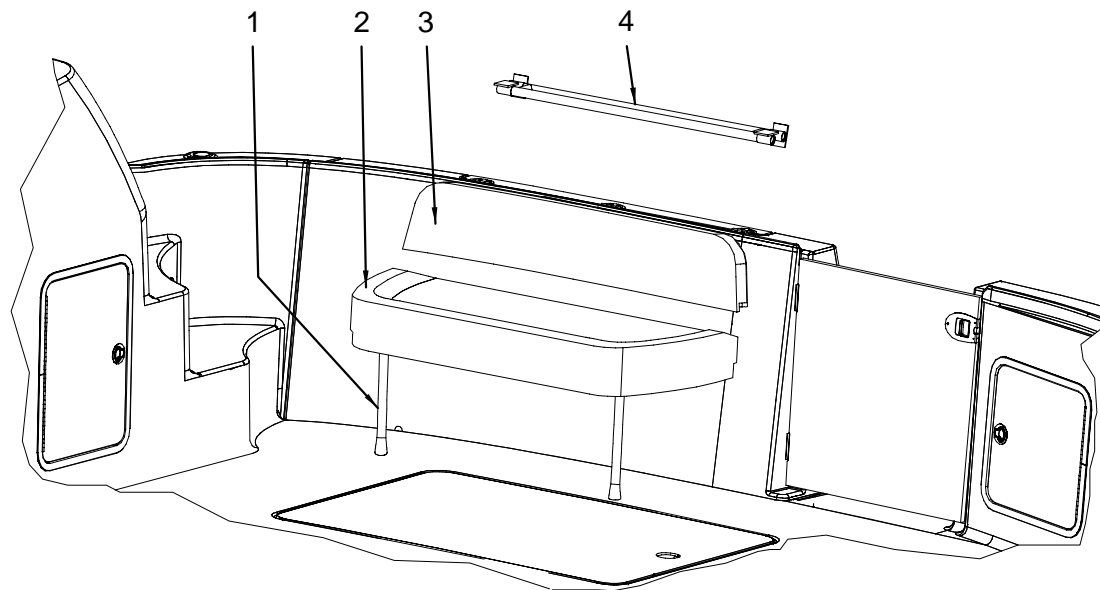
- 1743548 LABEL, WARNING RUNNING BOAT W/DOOR OPEN
- 1811367 LABEL, DANGER CO TRANSOM 06
- 1745124 LABEL, EXH FAN MUST BE ON WHEN COOK APPL USED

**NOT SHOWN**

133348 COOLER, 25QT  
1831204 SUPPORT, LDPVC 36DB-06 COOLER  
1820038 DOOR, HDPE 21.75"X 14.5"W/FRM/21.5"DEEPBX ARW  
634998 BOX, V/F 7.75"X 5"X 3" BLANK  
175208 BUMPER, WHT SMALL ROUND

**NOT SHOWN ELECTRICAL**

1816877 MODULE, EDS 36DB-06 CKPT 4-SW  
1819815 LIGHT, HALOGEN SS 7"DIA DUAL BULB W/CONN  
1448471 BULB, XENON 12V/20W  
(PART OF 1819815)

**COCKPIT (UPHOLSTERY)****COCKPIT (UPHOLSTERY)**

- 1 1779135 SUPPORT, SWING LEG ASSY 13.75" W/SNAP BUTTON  
(AFT COCKPIT SEATING - FOLD AWAY)
- 2 1875971 36DB 07,CUSH,AFT SEAT CKPT
- 1875972 36DB 07,CUSH SKN,AFT SEAT CKPT
- 3 1875973 36DB 07,BLSTR,AFT SEAT CKPT
- 1875974 36DB 07,BLSTR SKN,AFT SEAT CKPT
- 4 1744805 HINGE ASSY,BWCQ/OR-03 FOLDING SEAT

**FOAM**

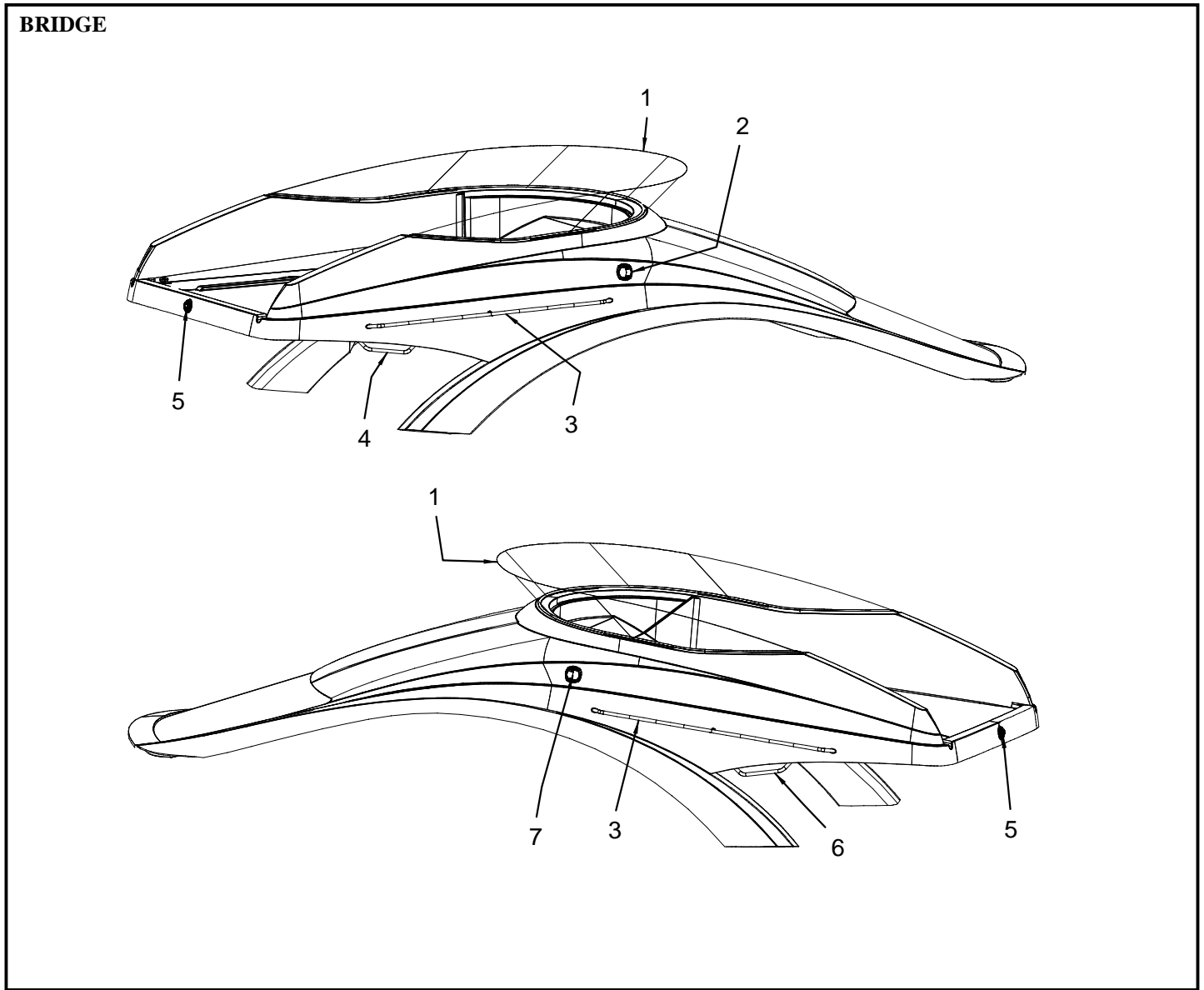
- 1368091 FOAM, P/C 380/410DA-00 H/R SUPPORT
- 1819380 FOAM, P/C 36DB-06 AFT CKPT SEAT/BCKRST

**NOT SHOWN**

- 1817498 KIT, LDPVC 36DB-06 CKPT AFT SEAT 4PC
- 1830760 KIT, LDPVC 36DB-06 CKPT AFT SEAT BLSTR 2PC
- 1819635 HOLDER, UHMW 5/8"X 1"X 1"WHT
- 1817336 FRAME, 36DB-06 CKPT AFT SEAT HINGE 3/4"SS
- 1256817 SUPPORT, UHMW 410EC-99 AFT SEAT
- 1256809 BUSHING, UHMW 410EC-99 SEAT HINGE

**VELCRO**

- 1039007 VELCRO, HOOK WHT 2" (SEW ON)



**BRIDGE**

- 1 1849333 W/S, 36DB-07 ALUM VENTURI BRNZ PLEX RV1
- 2 1830744 LIGHT, NAV SIDE WHT VERT 12V STB W/CONN
- 3 1803365 RAIL, SS GRAB BRDG SIDE PRT/STB 7/8"X 80"
- 4 1802880 RAIL, SS GRAB 36DB-06 BRDG/CKPT WING STB
- 5 137380 LIGHT, NAV STERN FLUSH MT CKPT (COURTESY)  
1200369 BULB, REPL FOR #0137380/#0783670  
(PART OF 137380)
- 1771016 LIGHT, NAV STERN FLUSH MNT RND CHR/BRS W/CONN  
901199 BULB, STERN NAV LIGHT REPL #137406-1227412  
(PART OF 1771016)
- 6 1802877 RAIL, SS GRAB 36DB-06 BRDG/CKPT WING PRT
- 7 1830743 LIGHT, NAV SIDE WHT VERT 12V PRT W/CONN

**NOT SHOWN ELECTRICAL**

- 1771022 ACC PART, MERC ALARM BUZZER W/HARNESS W/CONN
- 1816878 MODULE, EDS 36DB-06 BRIDGE 4-SW
- 670521 BODY, ROCK SW 2 CKT PROG
- 720151 PLUG, ROCKER SW 'V' SERIES BLK

**BRACKETS**

- 866475 BRACKET, MOUNTING SWITCH/ROCK 'V' END
- 866483 BRACKET, MOUNTING SWITCH/ROCK 'V' MID

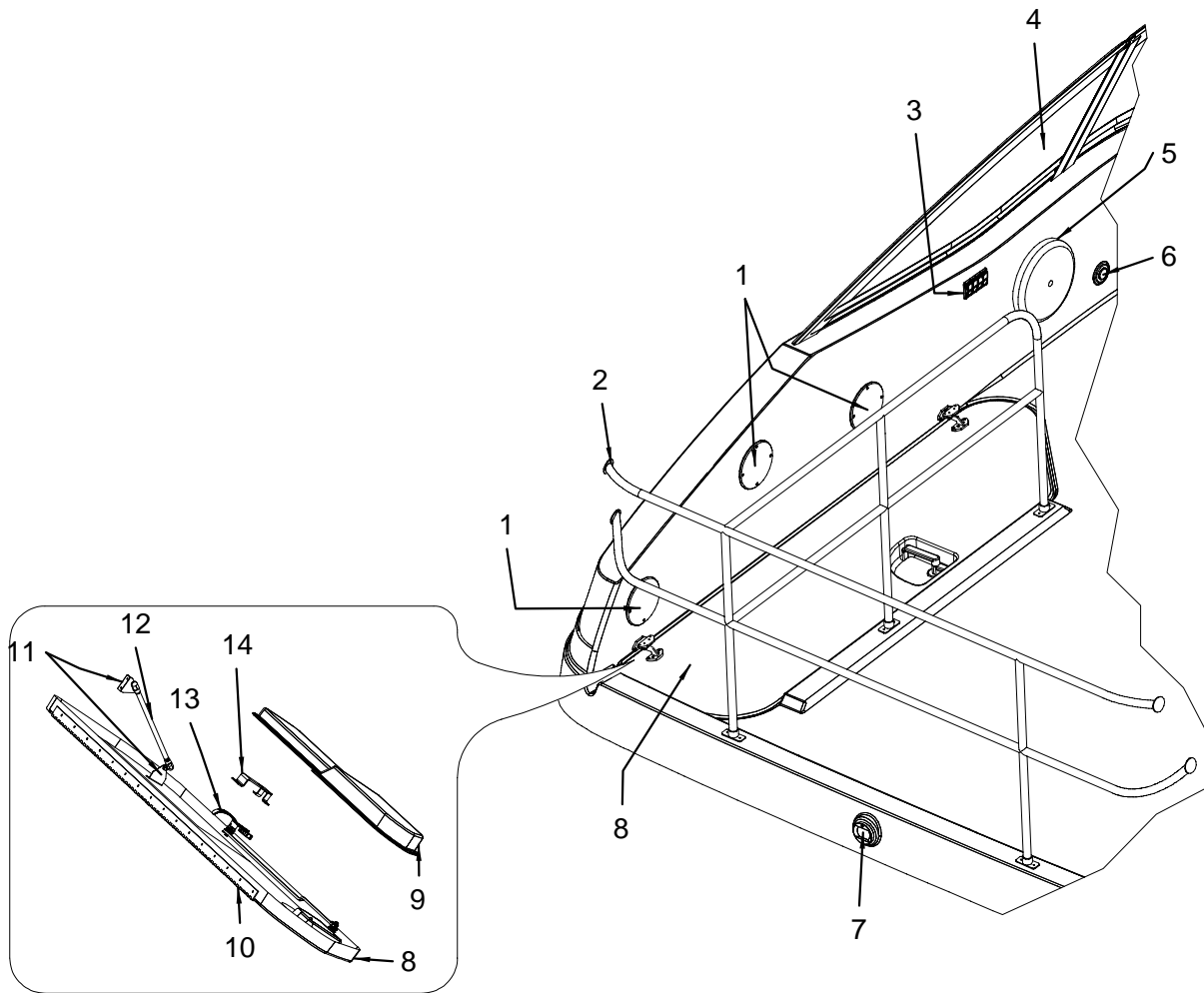
**LABELS**

- 1744738 LABEL, RECEPTACLE 12V-15A MAX (LEXAN)

**NOT SHOWN**

- 1848988 RAIL, GRAB 36DB-07 BRDG W/CHAIN

**BRIDGE (PORT VIEW)**



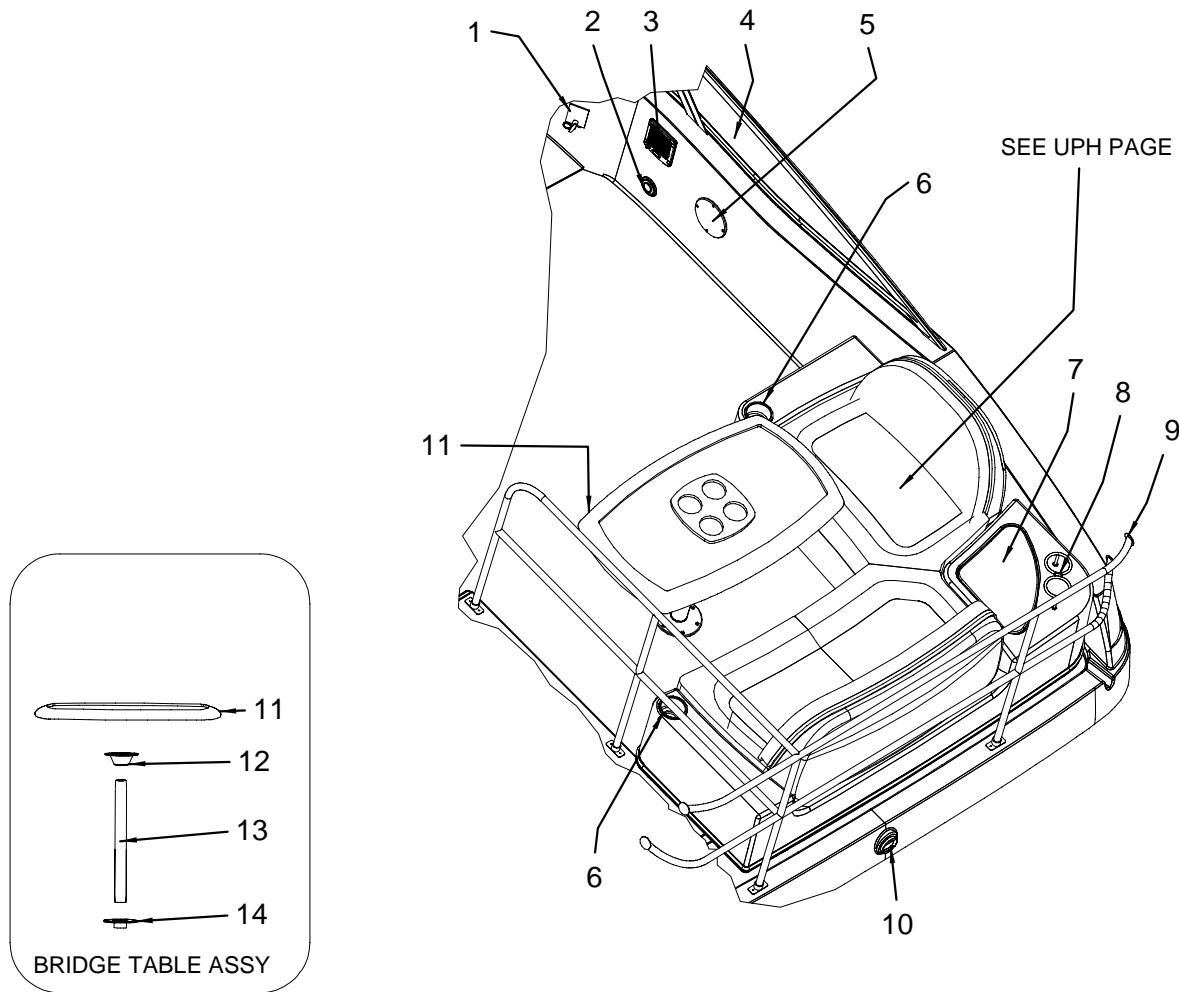
**BRIDGE (PORT VIEW)**

- 1 513895 ACCESS PLATE, PAINTED PLAS 5" WHT
- 2 1831115 RAIL, SS GRAB 36DB-06 AFT BRDG ASSY W/AFTARCH
- 1802901 RAIL, SS GRAB 36DB-06 AFT BRDG ASSY W/ARCHTOP (ARCHTOP, W/DECK HATCH, LIGHTING & ENCLOSURE)
- 3 1816878 MODULE, EDS 36DB-06 BRIDGE 4-SW
- 4 1849333 W/S, 36DB-07 ALUM VENTURI BRNZ PLEX RV1
- 5 1755999 SPEAKER, 10" SUBWOOFER ACOM WWHT CVR
- 1773445 GRILL, SPEAKER SUBWOOFER 10" ACOM WHT (PART OF 1755999)
- 6 1815242 LIGHT, JENY SAT/NCKL W/BASE
- 7 137380 LIGHT, NAV STERN FLUSH MT CKPT (COURTESY)
- 1200369 BULB, REPL FOR #0137380/#0783670 (PART OF 137380)
- 8 1878089 36DB 07, HATCH, BRDG ACCESS FBRGLS
- 9 1833436 COVER, T/F 36DB-06 BRDG HATCH LATCH MECH
- 10 1833435 HINGE, SS CONT 2.5"X 63" PIN DIA.25 POL
- 11 732792 BRACKET, SS GAS CYL 90DEG 2.062" W/STUD
- 12 1802814 CYLINDER, GAS SS 70PSI 26"EXT X 15"COMP
- 13 1833590 LATCH, BRDG ACCESS DUAL HNDL LINKAGE SYSTM
- 14 1833591 BRACKET, ALUM BRDG HATCH LATCH

**LABELS**

- 1762484 LABEL, BRIDGE CAPACITY 750 LB (LEXAN)

**BRIDGE (STARBOARD VIEW)**



**BRIDGE (STARBOARD VIEW)**

**NOT SHOWN**

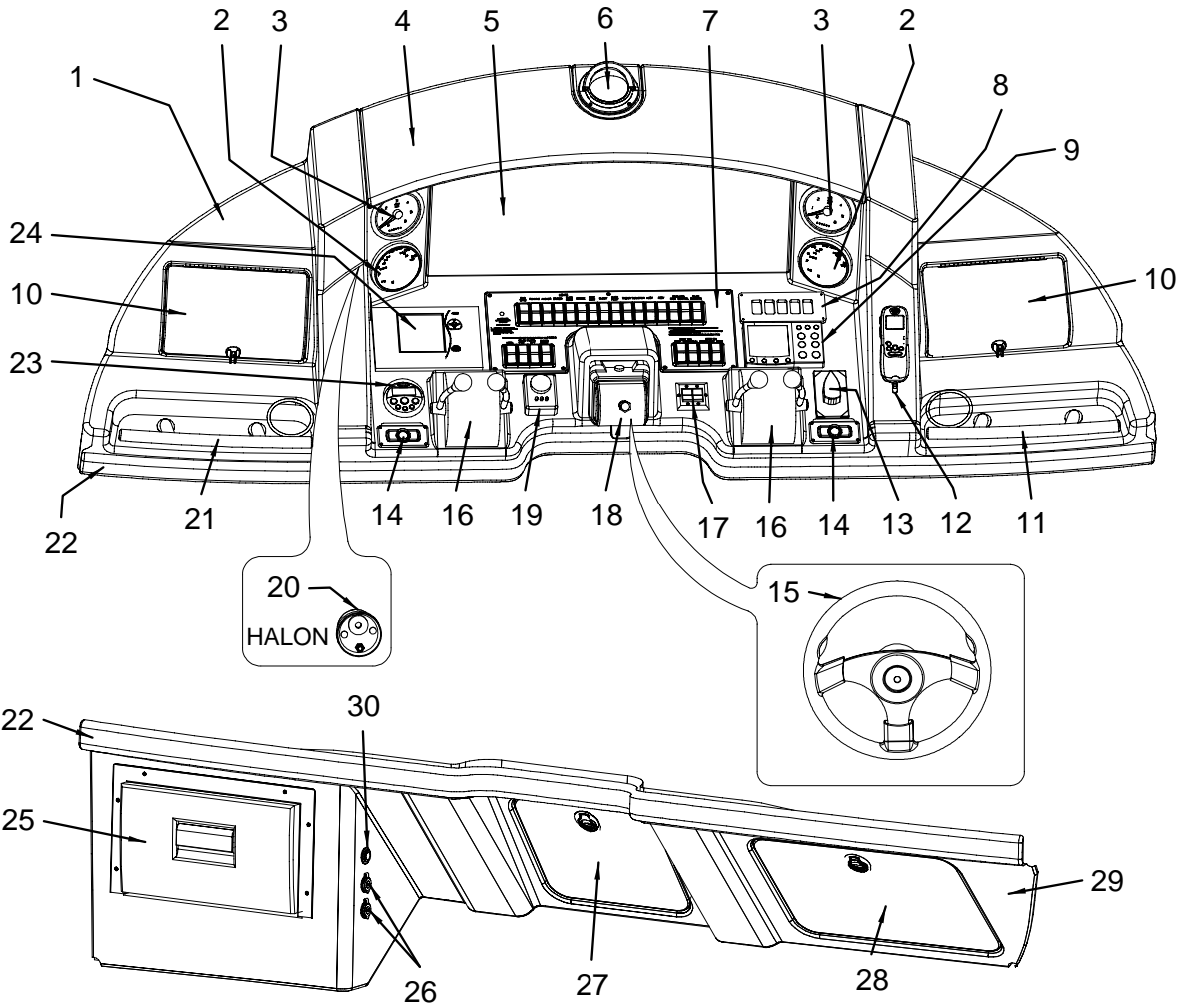
- 1 598169 HALON CABLE, MANUAL PULL CABLE 18'
- 1266790 FIRE EXT SYS, FM200 500CF GAS/DSL-MAN/AUTO
- 2 1815242 LIGHT, JENY SAT/NCKL W/BASE
- 3 1795501 SPEAKER, REMOTE VHF 240 EXTERNAL W/VOL CNTRL
- 4 1849333 W/S, 36DB-07 ALUM VENTURI BRNZ PLEX RV1
- 5 513895 ACCESS PLATE, PAINTED PLAS 5" WHT
- 6 1812917 HOLDER, DRINK SS 4"X 3" MUG SZ PLSHD RIM
- 7 1819139 TEAK, P/C 36DB-06 BRDG AFT SEAT INSERT
- 8 1750873 HOLDER, DRINK SS 2-RING 3" (KING)
- 9 1831115 RAIL, SS GRAB 36DB-06 AFT BRDG ASSY W/AFTARCH
- 1802901 RAIL, SS GRAB 36DB-06 AFT BRDG ASSY W/ARCHTOP  
**(ARCHTOP, W/DECK HATCH, LIGHTING & ENCLOSURE)**
- 10 137380 LIGHT, NAV STERN FLUSH MT CKPT (COURTESY)
- 1200369 BULB, REPL FOR #0137380/#0783670  
**(PART OF 137380)**
- 11 1878091 36DB 07, TBL BRDG CMLPT FBRGLS N/INSERT
- 12 1819903 BASE, LEG/POST SURF MT ALUM 60MM
- 13 1819911 POST, TABLE LEG 25.75"X 60MM ALUM SMTH DBLTPR
- 14 1819904 BASE, LEG/POST FLSH MT ALUM 60MM

- 103309 MESH, WHITE 60"

**FOAM**

- 1840201 FOAM, P/C 36DB-07 DASH MUFF

BRIDGE (HELM)



**BRIDGE (HELM)**

- 1 1875975 36DB 07,DASH UPR,FBRGLS
- 2 1609007 GAUGE, 5" 4-IN-1 FUEL/VOLT/OIL/TMP S-CRFT
- 3 1608934 GAUGE, TACH 5" S-CRFT 0-6000RPM
- 1690513 GAUGE, TACH VDO 0-4000 RPM  
(T-CMD QSB 380 (T-364 PHP) DIESEL INBOARDS)
- 4 1802905 VISOR, DASH 36DB-06 BRDG LDPVC WHT  
(UPPER DASH VISOR)
- 1849895 VISOR, DASH 36DB-07 LWR HELM LDPVC WHT  
(LOWER DASH VISOR)
- 5 1802899 BOARD, ABS 36DB-06 CNTRL STATION BLSTR BLK
- 6 1772695 COMPASS, FLUSH MT 3.75" BLK (NEW STYLE)
- 1798174 BULB, COMPASS REPL (SUNSHADE)  
(PART OF 1772695)
- 1798175 BULB, COMPASS REPL (FRONT)  
(PART OF 1772695)
- 7 1812925 PANEL, BLANK:36DB-06 CNTRL STA SW GAS
- 8 1799453 PANEL, BLANK: SW CUMMINS C-CRUISE 5 POS BURL
- 9 1666163 AUTO PILOT, RAYPILOT ST7001 DISPLAY ONLY
- 1839229 AUTO PILOT, RAYPILOT ST8002 W/SURFACE MNT
- 1808029 AUTOPILOT, INDCATR ARM RAYMAR W/SCRFT
- 763813 FUSE, BLADE TYPE CLOSED 25A
- 195305 COUPLING, BRASS 1/4" FPT
- 1738311 PIN, COTTER PIN #3/32" X 1/2" SS
- 10 1816509 DOOR, PLEX 36DB-06 GLOVEBOX WHT
- 11 1816529 RAIL, SS 36DB-06 GRAB DASH W/DRINKHOLDER STB
- 12 1807450 RADIO, VHF NRTHSTR NS100 DELUXE
- 1795501 SPEAKER, REMOTE VHF 240 EXTERNAL W/VOL CNTRL  
(PART OF 1781360)
- 1795503 RADIO, SGL STATION CRADLE HANDSET KIT VHF 240  
(PART OF 1781360)
- 1807908 BASE, PLAS NRTHSTR VHF RADIO BLKBOX  
(PART OF 1807450)
- 1807910 RADIO, VHF NRTHSTR BLKBOX HANDSET  
(PART OF 1807450)
- 1807911 SPEAKER, REMOTE NRTHSTR VHF BLKBOX  
(PART OF 1807450)
- 1891927 HAILER HORN, SHAKESPEARE  
(NORTHSTAR HAILER)
- 13 1800993 STERN THRUSTER, DOCKING CNTRL PNL
- 1835913 STERN THRUSTER, SIDE PWR 165LB THRST 24V IGNP
- 14 1818723 NAVIGATOR, SRNIII MOUSE REMOTE JOY STICK
- 15 1738115 STEERING WHEEL, 3-SPOKE WOOD W/URETH PAD
- 1683795 STEERING WHEEL, RING FOR 1526292/1738115  
(PART OF 1738115)
- 758599 HUB KIT, STEERING WHEEL DINO 332  
(PART OF 1738115)
- 16 1051689 CONTROL, THRTL/SHFT W/SS HANDLES W/GOLD KNOBS
- 907063 KNOB, CONTROL GOLD SMOOTH  
(PART OF 1051689)
- 907097 KNOB, CONTROL GOLD GROOVED W/RED ID  
(PART OF 1051689)
- 1762415 BEZEL, DOME POLISHED SS FOR MRP#1051689  
(PART OF 1051689)
- 1819719 CONTROL, DTS CNSL MNT TWIN KIT CHR
- 17 157487 SWITCH, TRIM TAB RCKR CNTRL N/HARNESS
- 1282979 PANEL, BLANK:310DA/420DA-03 TRIM TAB SW
- 18 317032 STEERING, HELM PUMP SEA STAR I TILT
- 19 1756729 PAD, SPOTLIGHT REMOTE CONTROL
- 1756730 SPOTLIGHT, MASTER CONTROLLER W/LIGHT TURN-ON
- 930263 SPOTLIGHT, ACR HALOGEN WHT 12V
- 845784 BULB, SPOTLIGHT 12V  
(PART OF 930263)
- 1779735 CABLE, COAXIAL RG6 1000' WHT
- 1817036 HOSE, CONDUIT/UNSPILT 1.25" FLAME RETARDANT
- 497909 CONN, BUTT 16/14GA INS W/INS GRIP
- 864306 CONN, COAX 'F' TWIST-ON
- 20 1833637 FIRE EXT SYS, FE241(SR) 500CF MAN/AUTO
- 21 1816530 RAIL, SS 36DB-06 GRAB DASH W/DRINKHOLDER PRT
- 22 1878092 36DB 07,MUFF,PRT DASH
- 1878093 36DB 07,MUFF,STB DASH
- 23 1799348 STEREO, REMOTE CNTRL W/DSPL BLK FACE/SS BZL
- 24 1816009 ACC PART, MERC S-CRFT SYS VIEW '06 VER 3.45
- 25 1818576 DOOR, HDPE 19"X 11.5"W/FRM/9"DEEP BOX ARW
- 26 1818708 RECEPTACLE, SRNIII SOCKET W/CONN 6'
- 27 1816446 DOOR, HDPE 13"X 14" ARW W/SS STHCO N/HNG
- 28 1816447 DOOR, HDPE 20"X 14" ARW W/SS STHCO N/HNG
- 29 1875983 36DB 07,DASH LWR,FBRGLS
- 30 1287283 RECEPTACLE, FEMALE 12V LONG THRD BLK

**BRACKETS**

- 1817596 BRACKET, SS RDR INDCATR RAYMAR/BNT/SCRFT ANGL  
(AUTOPILOT - RAYPILOT ST 7001+)  
(AUTOPILOT - RAYPILOT ST 8002)

**BRACKETS (continued)**

- 1817596 BRACKET, SS RDR INDCATR RAYMAR/BNT/SCRFT ANGL  
(AUTOPILOT - RAYPILOT ST 7001+)  
(AUTOPILOT - RAYPILOT ST 8002)
- 1685217 BRACKET, SS COREPAK ADJ  
(AUTOPILOT - RAYPILOT ST 7001+)  
(AUTOPILOT - RAYPILOT ST 8002)

**HARNESSES**

- 1807869 HARNESS, NRTHSTR VHF BLKBX TO SPKR CBL 72"
- 1807870 HARNESS, NRTHSTR VHF BLKBX SPKR-HNDSET EXT 3'  
(PART OF 1807450)
- 1807871 HARNESS, NRTHSTR VHF BLKBX PWR CBL 6'  
(PART OF 1807450)
- 1808034 HARNESS, NRTHSTR VHF BLKBX HAILER CBL  
(PART OF 1807450)
- 1757379 HARNESS, TRNSDCR DEPTH/TEMP 30' NRTHSTR 6000I
- 1762413 HARNESS, ENG MERC S-CRFT SC100 LINK EXT 12"  
(E120 RADAR & E120 CHARTPLOTTER ONLY)  
(NS RADAR & NS CHARTPLOTTER)

**LABELS**

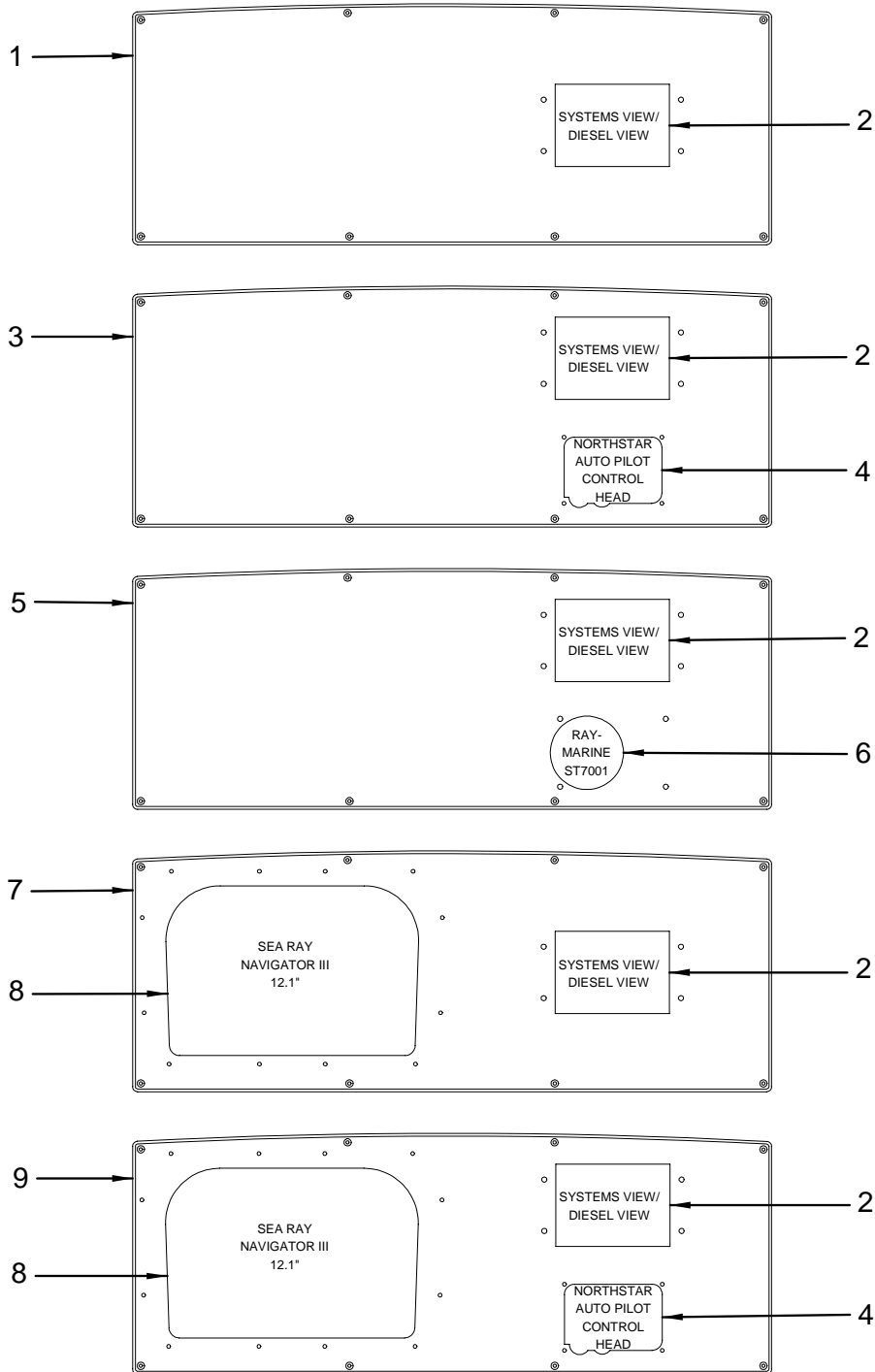
- 1743530 LABEL, SHIFT (LEXAN)
- 1747504 LABEL, COMPASS AREA KEEP AWAY MTL OBJECTS  
(AUTOPILOT - RAYPILOT ST 7001+)  
(AUTOPILOT - RAYPILOT ST 8002)
- 1743531 LABEL, THROTTLE (LEXAN)
- 155754 LABEL, COMPASS
- 1749696 LABEL, DANGER COMBO-GAS POWERED BOAT RV1
- 1752717 PLATE, NMMA YACHT CERT GAS
- 1811368 LABEL, DANGER CO HELM 06
- 976423 PLATE, CE OPT B:14PERSON/1725KG
- 1888202 PLATE, BUILDERS AU 07-36DB  
(AUSTRALIAN BUILDERS PLATE)  
(FOR BOATS BUILT IN 2007)
- 1833213 LABEL, STICKER 36DB CANADIAN CONFORMITY

**NOT SHOWN**

- 1802903 RAIL, SS GRAB 36DB-06 VENTURI SUPPORT
- 761445 CATCH, RIM-LOCK STRIKE PLATE
- 1744353 COVER, WATERPROOF RECEPTACLE #WGF-100-C
- 1689255 ANTENNA, EXTENSION 12' STEREO CABLE
- 1073758 CONTROL, NEUTRAL SAFETY SWITCH  
(T-CMD QSB 380 (T-364 PHP) DIESEL INBOARDS)
- 1756105 BOX, INTERFACE SEATALK/PC/NMEA  
(T-CMD QSB 380 (T-364 PHP) DIESEL INBOARDS)
- 1877917 BRACKET, SS DOOR KEEPER



**ELECTRONIC PANELS UPPER**



**ELECTRONIC PANELS UPPER**

- 1 1813322 PANEL, BLANK:36DB-06 ELEC W/SYSVW
- 2 1816009 ACC PART, MERC S-CRFT SYS VIEW '06 VER 3.45
- 3 1812984 PANEL, BLANK:36DB-06 SYSVW/NRTHSTR AUTO  
(NORTHSTAR 3300 AUTOPILOT)
- 4 1807919 AUTO PILOT, NRTHSTR NS3300 DISPLAY ONLY  
(NORTHSTAR 3300 AUTOPILOT)
- 5 1812985 PANEL, BLANK:36DB-06 SYSVW/RAYMAR AUTO  
(AUTOPILOT - RAYPILOT ST 7001+)  
(AUTOPILOT - RAYPILOT ST 8002)
- 6 1666163 AUTO PILOT, RAYPILOT ST7001 DISPLAY ONLY  
(AUTOPILOT - RAYPILOT ST 7001+)
- 1839229 AUTO PILOT, RAYPILOT ST8002 W/SURFACE MNT  
(AUTOPILOT - RAYPILOT ST 8002)  
(LOWER STATION & RAYMARINE AUTO)
- 1808029 AUTOPILOT, INDCATR ARM RAYMAR W/SCRFT  
(AUTOPILOT - RAYPILOT ST 7001+)  
(AUTOPILOT - RAYPILOT ST 8002)
- 1612761 AUTO PILOT, RAYPILOT TYPE 1 T150 CORE PACK  
(AUTOPILOT - RAYPILOT ST 7001+)  
(AUTOPILOT - RAYPILOT ST 8002)
- 1698068 AUTO PILOT, RUDDER REFERENCE INDICATOR  
(PART OF 1612761)
- 1755521 AUTO PILOT, RUDDER REFERENCE FOR HC5345  
(PART OF 1612761)
- 1755738 AUTO PILOT, FLUXGATE COMPASS  
(PART OF 1612761)
- 1758953 ANGLE, RUDDER W/SWEEP ARM RAYMARINE  
(PART OF 1612761)
- 852483 AUTO PILOT, RAYPILOT TYPE I PUMP UNIT  
(AUTOPILOT - RAYPILOT ST 7001+)  
(AUTOPILOT - RAYPILOT ST 8002)
- 168849 NIPPLE, BRASS 1/4"MPT X 1.5"HEX
- 829432 BUSS BAR, DBL POST 5/16"
- 1747504 LABEL, COMPASS AREA KEEP AWAY MTL OBJECTS
- 1738311 PIN, COTTER PIN #3/32" X 1/2" SS
- 1685217 BRACKET, SS COREPAK ADJ
- 1817596 BRACKET, SS RDR INDCATR RAYMAR/BNT/SCRFT ANGL
- 1817596 BRACKET, SS RDR INDCATR RAYMAR/BNT/SCRFT ANGL
- 195305 COUPLING, BRASS 1/4" FPT
- 763813 FUSE, BLADE TYPE CLOSED 25A
- 7 1812927 PANEL, BLANK:36DB-06 ELEC SYSVW/NRTHSTR 12"  
(NORTHSTAR 6000I 12"GPS/ CHARTPLOTTER/RADAR)  
(NORTHSTAR AUX. 6000I 12" GPS / CHARTPLOTTER)
- 8 1818152 NAVIGATOR, SRNIII MODEL 312 COMPUTER  
(SEA RAY NAV 3 GPS / CHARTPLOTTER / RADAR)
- 9 1816850 PANEL, BLANK:36DB-06 SYSVW/NRTHSTR 12"/AUTO  
(NORTHSTAR RADAR & NS AUTOPILOT)
- 10 1812981 PANEL, BLANK:36DB-06 ELEC DUAL NRTHSTR 12.1"  
(NS RADAR & NS CHARTPLOTTER)

**HARNESSES**

- 1818713 HARNESS, SRNIII LAN CBL NETWORK 6'  
(AUX. SEA RAY NAV.3 12.1 GPS / CHARTPLOTTER)

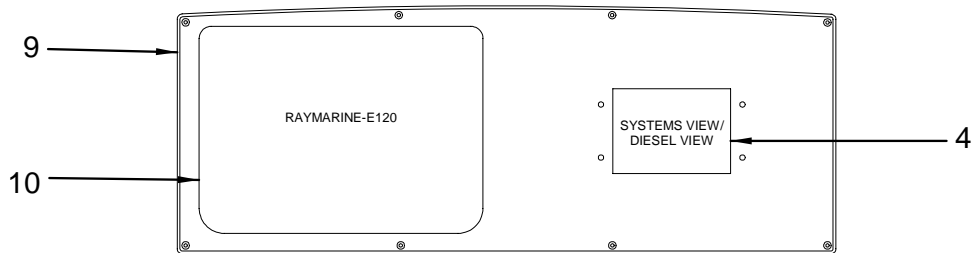
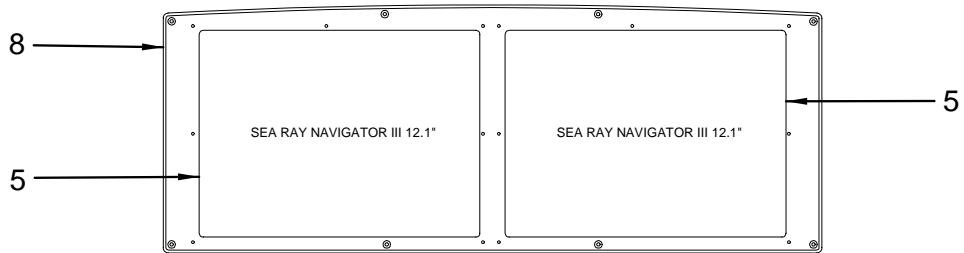
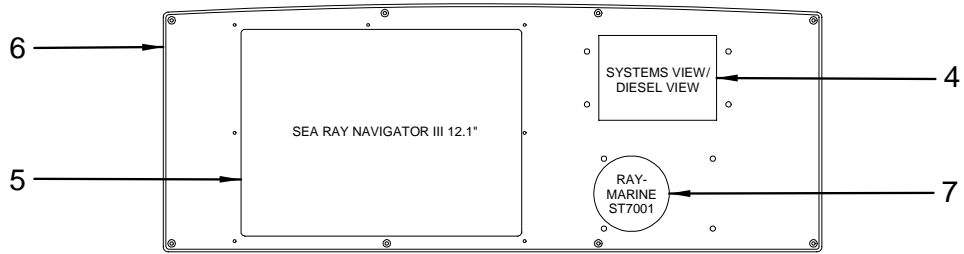
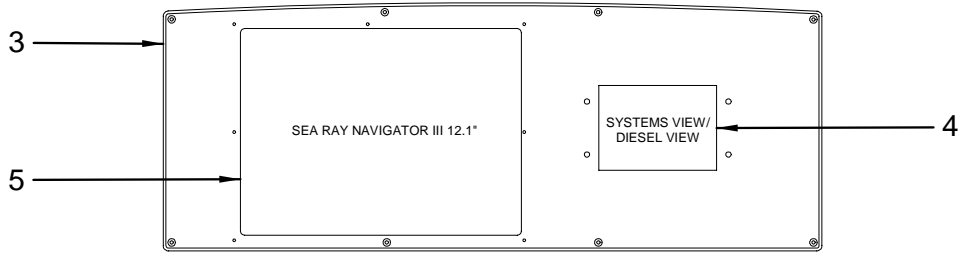
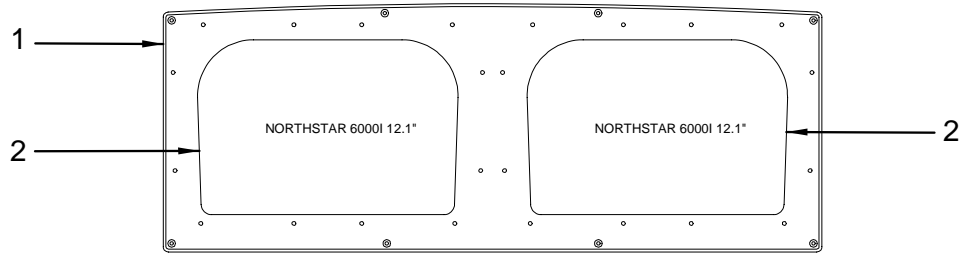
**LABELS**

- 1746045 LABEL, DANGER NO LOOKING DIRECTLY INTO RADOME  
(RAYMARINE E120 GPS / CHART PLOTTER / RADAR)  
(NORTHSTAR 6000I 12"GPS/ CHARTPLOTTER /RADAR)
- 1764499 LABEL, SEA RAY NAV USB PORT  
(SEA RAY NAV 3 GPS / CHARTPLOTTER / RADAR)

**NOT SHOWN**

- 1830844 PANEL, 58DB-06 SATELLITE SW MSG/MON  
(SATELLITE INTERFACE FOR SEA RAY NAV. 3)

ELECTRONIC PANELS UPPER (CONTINUED 1)



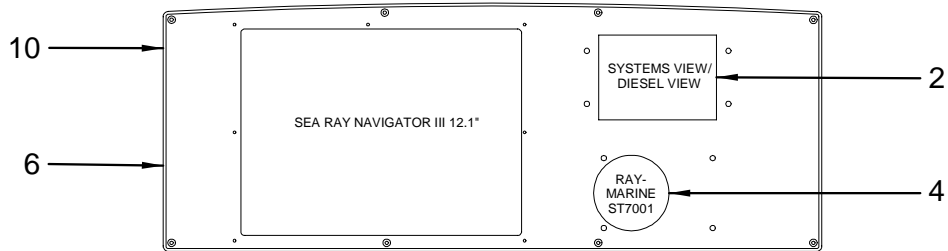
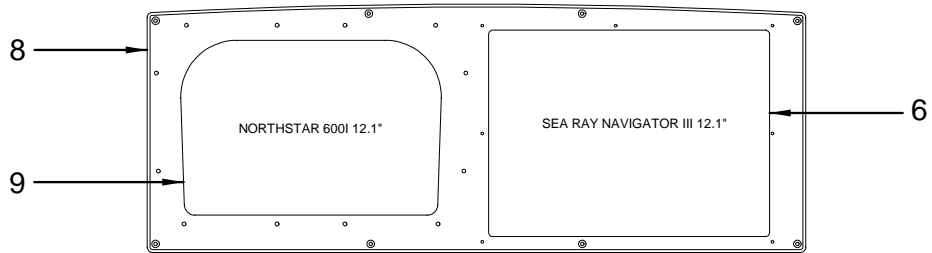
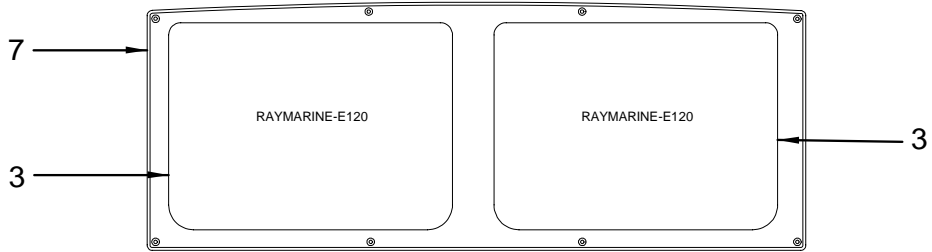
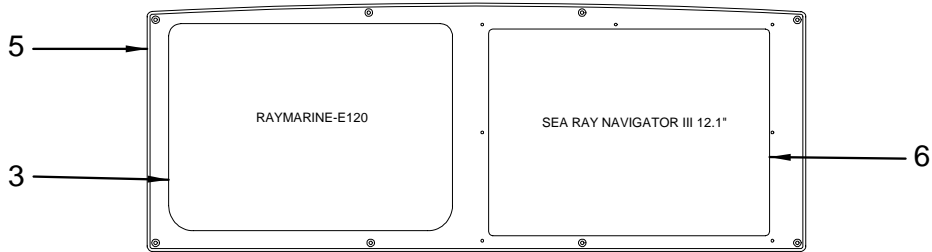
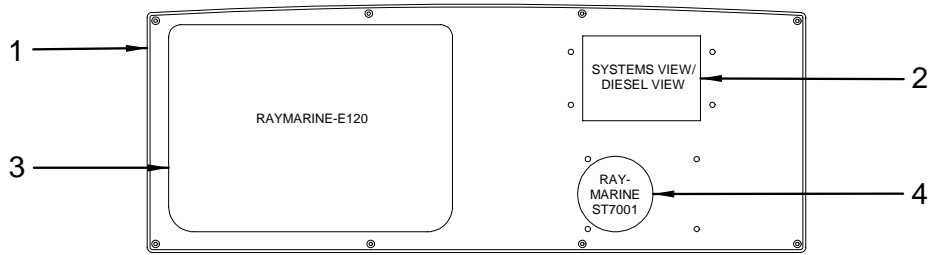
## ELECTRONIC PANELS UPPER (CONTINUED 1)

- 1 1812981 PANEL, BLANK:36DB-06 ELEC DUAL NRTHSTR 12.1"  
(NS RADAR & NS CHARTPLOTTER)
- 2 1807060 NAVIGATOR, NRTSTR 6000I 12.1" CMPLT PKG  
(NORTHSTAR 6000I 12"GPS/ CHARTPLOTTER /RADAR)  
(NORTHSTAR AUX. 6000I 12" GPS / CHARTPLOTTER)
- 1807061 NAVIGATION DISPLAY, NRTHSTR 6000I 12.1"  
(PART OF 1807060)
- 1770977 NAVIGATOR, NRTHSTR FLUSH MNT KNOB  
(PART OF 1807060)
- 1807065 NAVIGATOR, NRTHSTR 6000I INSTALL KIT 12.1"  
(PART OF 1807060)
- 1770976 NAVIGATOR, NRTHSTR 6000I GPS ANTENNA  
(PART OF 1807060)
- 1770972 HARNESS, NRTHSTR 6000I RADAR INTERFACE CBL  
(PART OF 1807060)
- 1770973 HARNESS, POWER CBL KIT NRTHSTR 6000I  
(PART OF 1807060)
- 1795140 HARNESS, NRTHSTR 6000I NMEA I/O CBL  
(PART OF 1807060)
- 1770978 RADAR, NRTHSTR 6000I 4KW CMPLT PKG  
(NORTHSTAR 6000I 12"GPS/ CHARTPLOTTER /RADAR)
- 1770979 HARNESS, RADAR PWR CBL 6' NRTHSTR 6000I  
(PART OF 1770978)
- 1770986 BOX, JUNCTION NRTHSTR 6000I RADAR  
(PART OF 1770978)
- 1770987 RADAR, NRTHSTR 6000I PEDESTAL W/1' PIGTAIL  
(PART OF 1770978)
- 1770988 RADAR, NRTHSTR 6000I 3.5' ARRAY  
(PART OF 1770978)
- 1772612 HARNESS, RADAR PIGTAIL 1' NRTHSTR  
(PART OF 1770978)
- 1795142 HARNESS, RADAR/NRTHSTR 6000I INTFACE CBL  
(PART OF 1770978)
- 1831114 PEDESTAL, RADAR ALUM 24.5"WHT NRTHSTR/SRN
- 1757382 NAVIGATOR, SRNII TRANSDUCR DEPTH/TEMP W/PT NY
- 788711 MOUNT, ANTENNA DECK GPS SS
- 1539204 BRACKET, 1/8"X 3.5"X 5" ANTENNA MOUNT
- 3 1838597 PANEL, BLANK:36DB-07 ELEC SYSVW/SRN3  
(AUX. SEA RAY NAV.3 12.1 GPS / CHARTPLOTTER)
- 4 1816009 ACC PART, MERC S-CRFT SYS VIEW '06 VER 3.45
- 5 1818152 NAVIGATOR, SRNIII MODEL 312 COMPUTER
- 6 1839142 PANEL, BLANK:36DB-07 SYSVW/SRN3/RAYMAR AUTO
- 7 1666163 AUTO PILOT, RAYPILOT ST7001 DISPLAY ONLY
- 8 1838599 PANEL, BLANK:36DB-07 ELEC DUAL SRN3  
(DUAL SRN 3'S)
- 9 1812979 PANEL, BLANK:36DB-06 ELEC SYSVW/RAYMAR 12"  
(RAYMARINE E120 GPS / CHART PLOTTER / RADAR)  
(RAYMARINE E120 CHARTPLOTTER ONLY)
- 10 1800082 NAVIGATION DISPLAY, RAYMARINE E120 12" CLRLCD  
(RAYMARINE E120 GPS / CHART PLOTTER / RADAR)  
(RAYMARINE E120 CHARTPLOTTER ONLY)

## NOT SHOWN

- 1849119 CABLE, 15M STD PEDESTAL  
(RAYMARINE E120 GPS / CHART PLOTTER / RADAR)
- 1301357 RADAR, RAYTHEON 4KW DOME ANT W/15 METER CABLE  
(RAYMARINE E120 GPS / CHART PLOTTER / RADAR)

ELECTRONIC PANELS UPPER (CONTINUED 2)



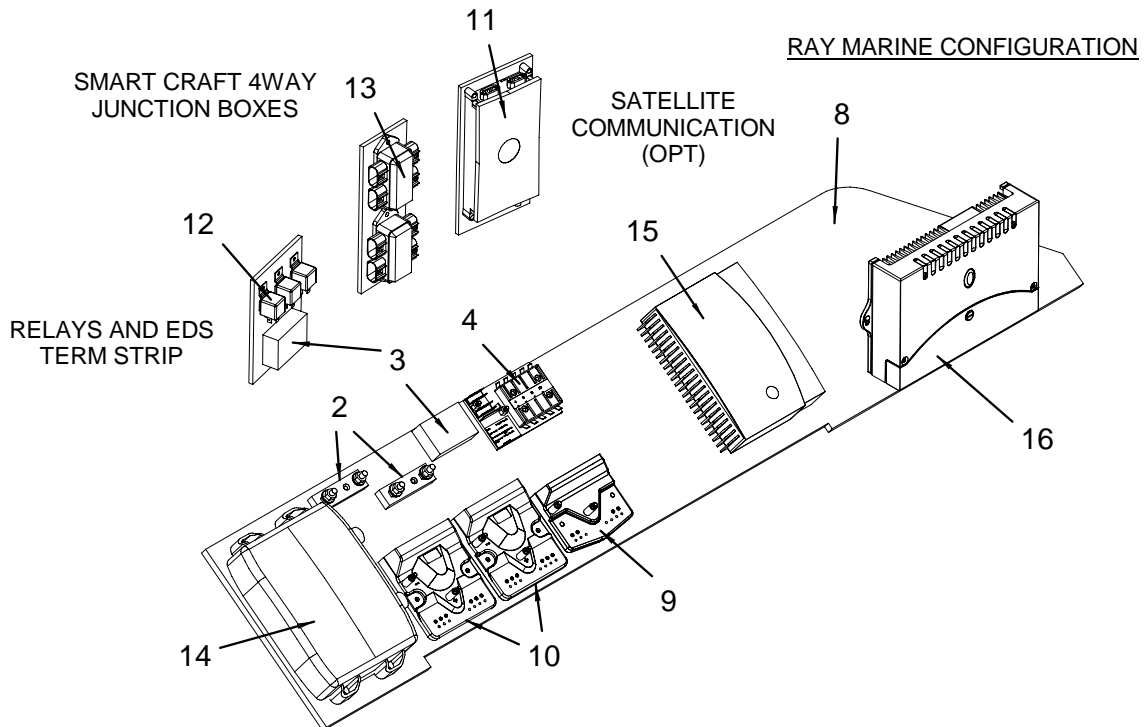
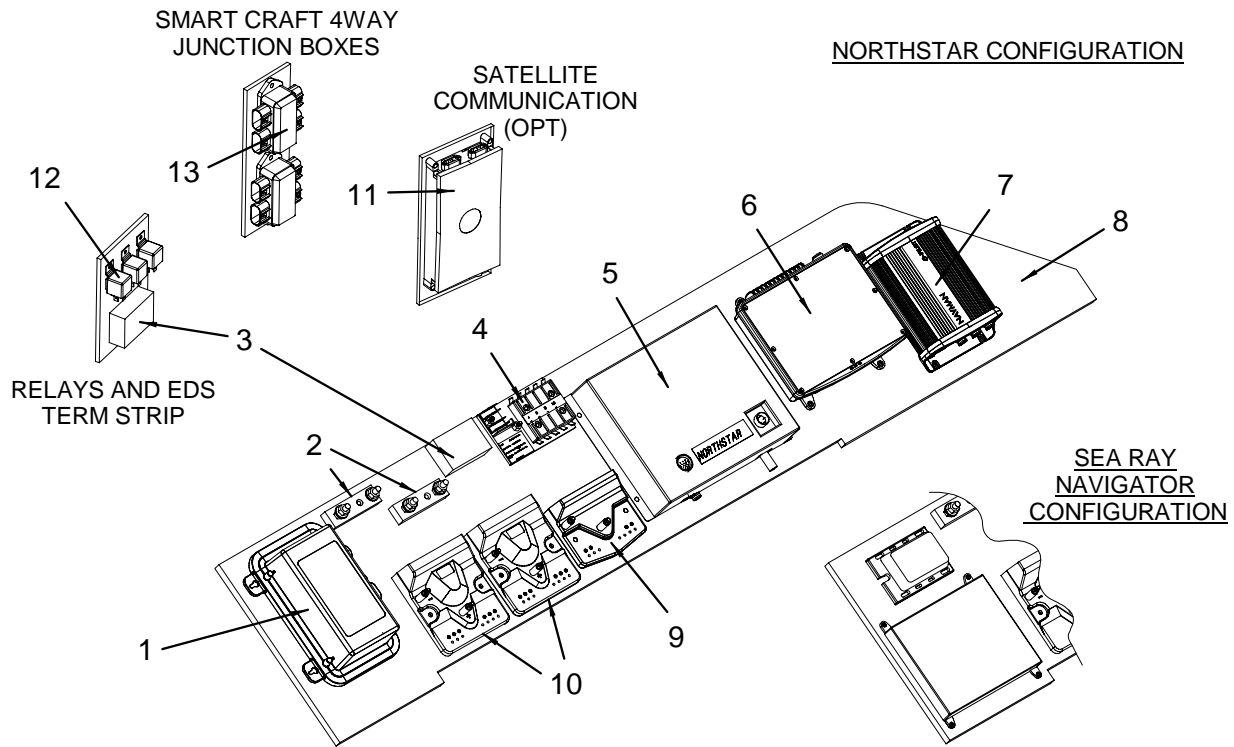
## ELECTRONIC PANELS UPPER (CONTINUED 2)

- 1 1816882 PANEL, BLANK:36DB-06 SYSVW/RAYMAR 12"/AUTO  
(E120 RADAR & AUTOPILOT)  
(RAYMARINE RADAR & 8002 AUTOPILOT)
- 2 1816009 ACC PART, MERC S-CRFT SYS VIEW '06 VER 3.45
- 3 1800082 NAVIGATION DISPLAY, RAYMARINE E120 12" CLRLCD  
(RAYMARINE E120 GPS / CHART PLOTTER / RADAR)  
(RAYMARINE E120 CHARTPLOTTER ONLY)
- 4 1666163 AUTO PILOT, RAYPILOT ST7001 DISPLAY ONLY  
(AUTOPILOT - RAYPILOT ST 7001+)
- 5 1839143 PANEL, BLANK:36DB-07 RAYMAR E120/SRN3  
(SRN 3 CP & E120 RADAR)
- 6 1818152 NAVIGATOR, SRNIII MODEL 312 COMPUTER  
(SEA RAY NAV 3 GPS / CHARTPLOTTER / RADAR)
- 7 1812982 PANEL, BLANK:36DB-06 ELEC DUAL RAYMAR 12.1"  
(DUAL E120)
- 8 1838600 PANEL, BLANK:36DB-07 NRTHSTR/SRN3
- 9 1807060 NAVIGATOR, NRTSTR 6000I 12.1" CMPLT PKG  
(NORTHSTAR 6000I 12"GPS/ CHARTPLOTTER /RADAR)  
(NORTHSTAR AUX. 6000I 12" GPS / CHARTPLOTTER)
- 1807061 NAVIGATION DISPLAY, NRTHSTR 6000I 12.1"  
(PART OF 1807060)
- 1770977 NAVIGATOR, NRTHSTR FLUSH MNT KNOB  
(PART OF 1807060)
- 1807065 NAVIGATOR, NRTHSTR 6000I INSTALL KIT 12.1"  
(PART OF 1807060)
- 1770976 NAVIGATOR, NRTHSTR 6000I GPS ANTENNA  
(PART OF 1807060)
- 1770972 HARNESS, NRTHSTR 6000I RADAR INTERFACE CBL  
(PART OF 1807060)
- 1770973 HARNESS, POWER CBL KIT NRTHSTR 6000I  
(PART OF 1807060)
- 1795140 HARNESS, NRTHSTR 6000I NMEA I/O CBL  
(PART OF 1807060)
- 1770978 RADAR, NRTHSTR 6000I 4KW CMPLT PKG  
(NORTHSTAR 6000I 12"GPS/ CHARTPLOTTER /RADAR)
- 1770979 HARNESS, RADAR PWR CBL 6' NRTHSTR 6000I  
(PART OF 1770978)
- 1770986 BOX, JUNCTION NRTHSTR 6000I RADAR  
(PART OF 1770978)
- 1770987 RADAR, NRTHSTR 6000I PEDESTAL W/1' PIGTAIL  
(PART OF 1770978)
- 1770988 RADAR, NRTHSTR 6000I 3.5' ARRAY  
(PART OF 1770978)
- 1772612 HARNESS, RADAR PIGTAIL 1' NRTHSTR  
(PART OF 1770978)
- 1795142 HARNESS, RADAR/NRTHSTR 6000I INTFACE CBL  
(PART OF 1770978)
- 1831114 PEDESTAL, RADAR ALUM 24.5"WHT NRTHSTR/SRN
- 1757382 NAVIGATOR, SRNII TRANSDUCR DEPTH/TEMP W/PT NY
- 788711 MOUNT, ANTENNA DECK GPS SS
- 1539204 BRACKET, 1/8"X 3.5"X 5" ANTENNA MOUNT
- 10 1839144 PANEL, BLANK:36DB-07 SYSVW/SRN3/NRTHSTR AUTO

## NOT SHOWN

- 1803076 MODULE, RAYMARINE HS NETWORK SW  
(DUAL E 120'S & FISH FINDER)

**COMPONENT BOARD (UPPER CONTROL STATION)**



**COMPONENT BOARD (UPPER CONTROL STATION)**

- 1 1795128 DEPTH FINDER, NRTHSTR 491FF MODULE  
(NORTHSTAR 491 FISHFINDER (6000I/6100I ONLY))
- 1795144 HARNESS, NRTHSTR 491FF PWR CBL 6FT0I  
(PART OF 1795128)
- 1795145 HARNESS, NRTHSTR 491FF TO 6000I CBL 10FT  
(PART OF 1795128)
- 1795135 TRANSDUCER, NRTHSTR 491FF DEP/TEMP W/6'PGTAIL  
(NORTHSTAR 491 FISHFINDER (6000I/6100I ONLY))
- 1795136 HARNESS, NRTHSTR 491FF TRANS DEP/TEMP 30'  
(NORTHSTAR 491 FISHFINDER (6000I/6100I ONLY))
- 2 829432 BUSS BAR, DBL POST 5/16"
- 3 1819529 BUSS BAR, DUAL BUSS 5 X8/32SCRW 100A TIN/COPR
- 1819530 COVER, PLAS DUAL BUSS 5 X8/32SCRW BLK
- 4 1420082 FUSE BLOCK, 10-GNG CO MONITOR W/LABELS
- 5 1770986 BOX, JUNCTION NRTHSTR 6000I RADAR
- 6 1807450 RADIO, VHF NRTHSTR NS100 DELUXE
- 1807908 BASE, PLAS NRTHSTR VHF RADIO BLKBOX  
(PART OF 1807450)
- 1807870 HARNESS, NRTHSTR VHF BLKBX SPKR-HNDSET EXT 3'  
(PART OF 1807450)
- 1807871 HARNESS, NRTHSTR VHF BLKBX PWR CBL 6'  
(PART OF 1807450)
- 1808034 HARNESS, NRTHSTR VHF BLKBX HAILER CBL  
(PART OF 1807450)
- 1807869 HARNESS, NRTHSTR VHF BLKBX TO SPKR CBL 72"  
(PART OF 1807450)(LOWER CONTROL STATION)
- 1807911 SPEAKER, REMOTE NRTHSTR VHF BLKBX  
(PART OF 1807450)(LOWER CONTROL STATION)
- 1807910 RADIO, VHF NRTHSTR BLKBX HANDSET  
(PART OF 1807450)(LOWER CONTROL STATION)
- 7 1807926 AUTO PILOT, NRTHSTR CNTRL UNIT MCU600
- 8 1802900 BOARD, LDPVC 36DB-06 BRDG CNTRL STA LWR CMPNT
- 9 1814362 MODULE, EDS 4CH-5A
- 10 1814358 MODULE, EDS 6CH-15A
- 11 1760316 NAVIGATOR, SR MDL SRNII SATELLITE COMMUNICTOR  
(SATELLITE INTERFACE FOR SEA RAY NAV. 3)
- 12 828103 RELAY, SPST 12V/40A
- 1833335 BOARD, LDPVC 36DB-06 BRDG CNTRL STA RELAY/EDS
- 13 1507326 ACC PART, MERC S-CRFT JUNC BOX 4-WAY
- 1833336 BOARD, LDPVC 36DB-06 BRDG CNTRL STA SCRFT JBX
- 14 1801244 DEPTH FINDER, DIGITAL SOUNDR MODL HSB2/DSM300  
(RAYMARINE DSM 300 FISH FINDER)
- 1795499 TRANSDUCER, DEPTH/TEMP FOR DSM250 FISHFINDER  
(RAYMARINE DSM 300 FISH FINDER)
- 1803077 MODULE, RAYMARINE CROSSOVER COUPLER  
(RAYMARINE DSM 300 FISH FINDER)
- 1850447 CABLE, SEATALK 1.5 METER HIGH SPEED NETWORK  
(RAYMARINE DSM 300 FISH FINDER)
- 731000 FUSE, BLADE TYPE CLOSED 10A  
(RAYMARINE DSM 300 FISH FINDER)
- 15 1781360 RADIO, VHF RAYMARINE RAY 240
- 1795501 SPEAKER, REMOTE VHF 240 EXTERNAL WVOL CNTRL  
(PART OF 1781360)
- 1795503 RADIO, SGL STATION CRADLE HANDSET KIT VHF 240  
(PART OF 1781360)
- 16 1612761 AUTO PILOT, RAYPILOT TYPE 1 T150 CORE PACK
- 1698068 AUTO PILOT, RUDDER REFERENCE INDICATOR  
(PART OF 1612761)
- 1755521 AUTO PILOT, RUDDER REFERENCE FOR HC5345  
(PART OF 1612761)
- 1755738 AUTO PILOT, FLUXGATE COMPASS  
(PART OF 1612761)
- 1758953 ANGLE, RUDDER W/SWEEP ARM RAYMARINE  
(PART OF 1612761)

**HARNESSES**

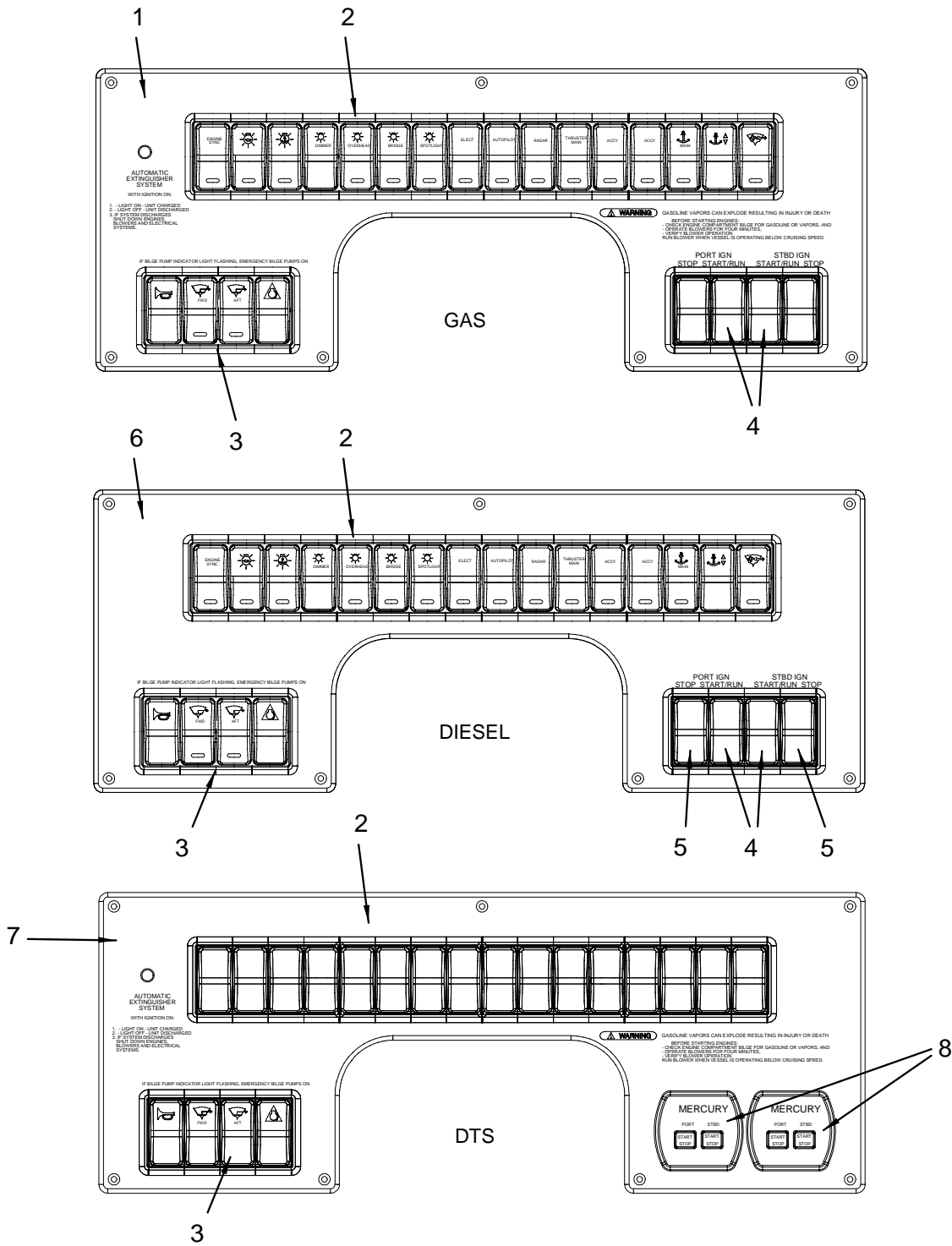
- 1770992 HARNESS, ETHERNET CBL KIT 6' NRTHSTR 6000I  
(NS RADAR & NS CHARTPLOTTER)

**NOT SHOWN**

- 1364488 BUSS BAR, 10-GANG TERMINAL STRIP (SML)



CONTROL STATION SWITCH PANEL



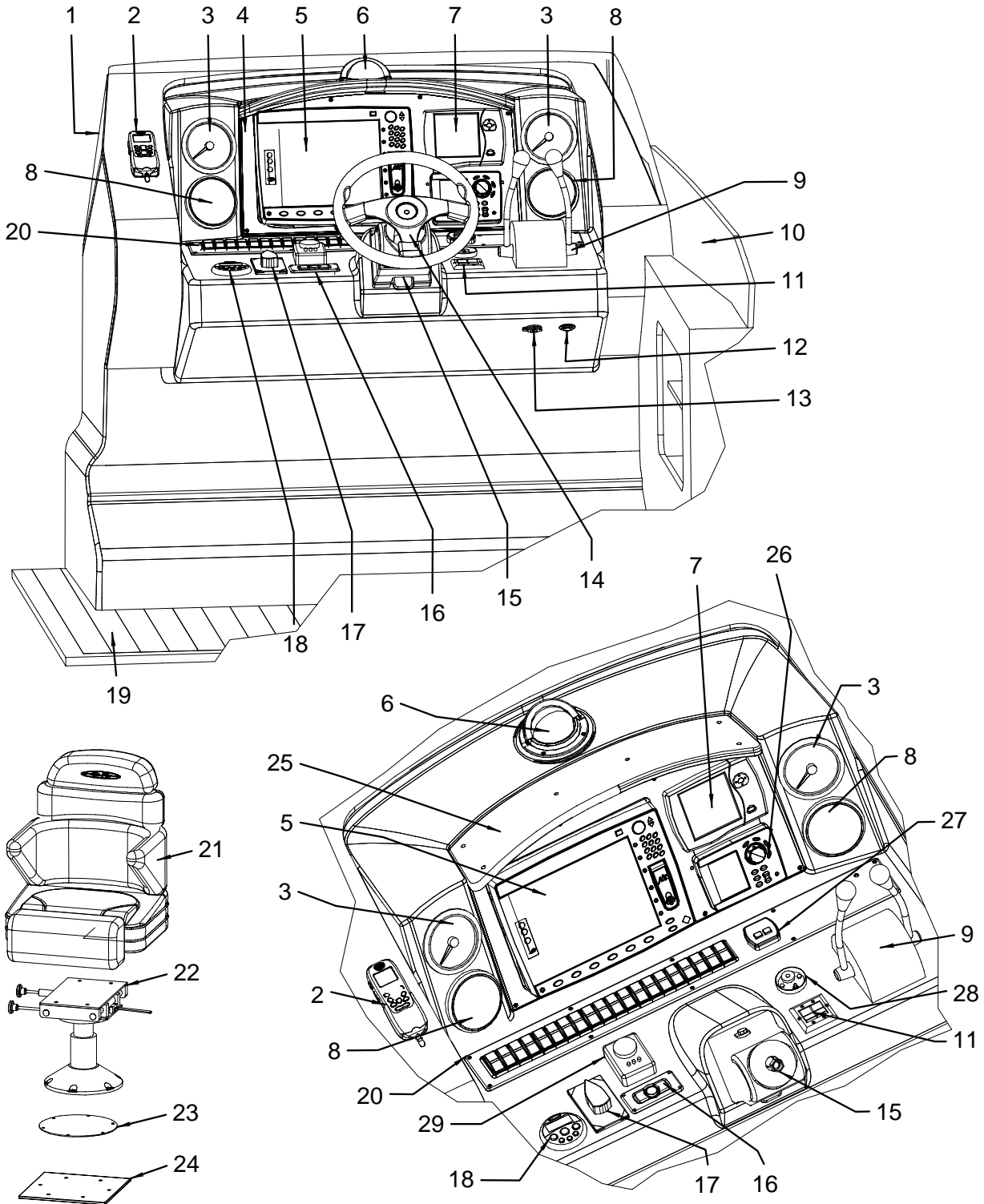
**CONTROL STATION SWITCH PANEL**

- 1 1812925 PANEL, BLANK:36DB-06 CNTRL STA SW GAS
- 2 1816879 MODULE, EDS 36DB-06 HELM 16-SW
- 3 1816880 MODULE, EDS 36DB-06 HELM 4-SW
- 4 1323070 ACTUATOR, ROCK BLK W/O LENS ENG STRT/STP  
1544196 SWITCH, DBL 2-CIRCUIT PROGRESSIVE
- 5 709501 ACTUATOR, ROCK VERT BLK W/O LENS TRIM TABS  
773879 BODY, ROCK SW DPDT (MOM) BLK W/O JUMPER  
681486 ACTUATOR, ROCK BLK W/O LENS ACCY  
**(DIESEL OPTION ONLY)**
- 701359 BODY, ROCK SW SPST MOM NC  
**(DIESEL OPTION ONLY)**
- 6 1812926 PANEL, BLANK:36DB-06 CNTRL STA SW DSL  
**(T-CMD QSB 380 (T-364 PHP) DIESEL INBOARDS)**
- 7 1819720 PANEL, BLANK:36DB-06 CNTRL STA SW DTS  
**(T-8.1 S DTS HORIZON (T-370PHP)MCM INBOARDS)**
- 8 1781396 SWITCH, START/STOP DUAL ENG KIT DTS  
**(T-8.1 S DTS HORIZON (T-370PHP)MCM INBOARDS)**

**NOT SHOWN**

- 681510 BODY, ROCK SW DPST 12V W/INC LAMP  
**(SEA RAY NAV 3 GPS / CHARTPLOTTER / RADAR)**

LOWER CONTROL STATION



## LOWER CONTROL STATION

- 1 1878336 36DB 07,DASH,LWR HELM FBRGLS  
 2 1807450 RADIO, VHF NRTHSTR NS100 DELUXE  
 1795501 SPEAKER, REMOTE VHF 240 EXTERNAL W/VOL CNTRL  
 (PART OF 1781360)  
 1795503 RADIO, SGL STATION CRADLE HANDSET KIT VHF 240  
 (PART OF 1781360)  
 1807908 BASE, PLAS NRTHSTR VHF RADIO BLKBOX  
 (PART OF 1807450)  
 1807910 RADIO, VHF NRTHSTR BLKBOX HANDSET  
 (PART OF 1807450)  
 1807911 SPEAKER, REMOTE NRTHSTR VHF BLKBOX  
 (PART OF 1807450)  
 3 1608934 GAUGE, TACH 5" S-CRFT 0-6000RPM  
 4 1831384 PANEL, BLANK:36DB-06 ELEC LWR W/SYSVW  
 1831385 PANEL, BLANK:36DB-06 LWR SYSVW/RAYMAR AUTO  
 1831386 PANEL, BLANK:36DB-06 LWR SYSVW/RAYMAR 12"  
 5 1807061 NAVIGATION DISPLAY, NRTHSTR 6000I 12.1"  
 (PART OF 1807060)  
 6 1772695 COMPASS, FLUSH MT 3.75" BLK (NEW STYLE)  
 1798174 BULB, COMPASS REPL (SUNSHADE)  
 (PART OF 1772695)  
 1798175 BULB, COMPASS REPL (FRONT)  
 (PART OF 1772695)  
 7 1816009 ACC PART, MERC S-CRFT SYS VIEW '06 VER 3.45  
 8 1609007 GAUGE, 5" 4-IN-1 FUEL/VOLT/OIL/TMP S-CRFT  
 9 1819719 CONTROL, DTS CNSL MNT TWIN KIT CHR  
 1818622 CONTROL, SECOND STA ETS KIT 30'  
 1889454 CONTROL, CMD QSB ETS KIT W/40' HARNESS  
 10 1878337 36DB 07,PNL,LWR STA STB  
 11 1282979 PANEL, BLANK:310DA/420DA-03 TRIM TAB SW  
 157487 SWITCH, TRIM TAB RCKR CNTRL N/HARNESS  
 12 1287283 RECEPTACLE, FEMALE 12V LONG THRD BLK  
 1259977 PLATE, FEMALE 12V RECEPTACLE MNT  
 13 1818708 RECEPTACLE, SRNIII SOCKET W/CONN 6'  
 (SEA RAY NAV 3 GPS / CHARTPLOTTER / RADAR)  
 14 1738115 STEERING WHEEL, 3-SPOKE WOOD W/URETH PAD  
 1683795 STEERING WHEEL, RING FOR 1526292/1738115  
 (PART OF 1738115)  
 758599 HUB KIT, STEERING WHEEL DINO 332  
 (PART OF 1738115)  
 1340561 STEERING WHEEL, SPOKE CVR W/RING FOR #1298017  
 (PART OF 1738115)  
 1743361 STEERING WHEEL, RND CHR MEDALLION HLDR  
 (PART OF 1738115)  
 1743362 STEERING WHEEL, 3-SPOKE WOOD (WHEEL ONLY)  
 (PART OF 1738115)  
 1747682 EMBLEM, S/R EMB SCRIPT WHEEL CHR-BEZEL 1.75"  
 127126 STEERING, FITTINGS CAP NON/VENT  
 15 317032 STEERING, HELM PUMP SEA STAR I TILT  
 16 1818723 NAVIGATOR, SRNIII MOUSE REMOTE JOY STICK  
 17 1800993 STERN THRUSTER, DOCKING CNTRL PNL  
 1835913 STERN THRUSTER, SIDE PWR 165LB THRST 24V IGPN  
 18 1799348 STEREO, REMOTE CNTRL W/DSPL BLK FACE/SS BZL  
 935080 CABLE, CLARION DUAL REMOTE "Y"  
 1312750 CABLE, CLARION REMOTE EXTENSION CABLE 24'  
 19 1684197 FLOORING, SANTOS CABREUVA MAHOGANY  
 20 1802653 PANEL, BLANK:36DB-06 CNTRL STA SW GAS DTS LWR  
 1813933 PANEL, BLANK:36DB-06 CNTRL STA SW DSL DTS LWR  
 1881622 MODULE, EDS 36DB-07 LWR HELM 20-SW RV2  
 21 1887225 HELMSEAT, 36DB LWR CNTRL STA W/ULTRAFABRIC  
 1625904 BLOCK, LDPVC 360DA-02 HELM SEAT BOTTOM  
 22 1854208 PEDESTAL/SLIDE, CMDR-2 W/CLR 14.25"/18.25"  
 (HULL# 537 -> UP)  
 1763530 PEDESTAL/SLIDE, CMDR W/COLLAR 14.25"/18.25"  
 (HULL# 501 -> 536)  
 23 1269422 PLATE, HELM SEAT BASE DETACHABLE  
 24 1746052 PLATE, ALUM 3/8" X 8" X 16" H/S BACKING  
 25 1878338 36DB 07,MUFF,DASH  
 26 1807919 AUTO PILOT, NRTHSTR NS3300 DISPLAY ONLY  
 1839229 AUTO PILOT, RAYPILOT ST8002 W/SURFACE MNT  
 1808029 AUTOPILOT, INDCATR ARM RAYMAR W/SCRFT  
 1685217 BRACKET, SS COREPAK ADJ  
 1817596 BRACKET, SS RDR INDCATR RAYMAR/BNT/SCRFT ANGL  
 1738311 PIN, COTTER PIN #3/32" X 1/2" SS  
 195305 COUPLING, BRASS 1/4" FPT  
 763813 FUSE, BLADE TYPE CLOSED 25A  
 1747504 LABEL, COMPASS AREA KEEP AWAY MTL OBJECTS  
 27 1781396 SWITCH, START/STOP DUAL ENG KIT DTS  
 28 1833637 FIRE EXT SYS, FE241(SR) 500CF MAN/AUTO  
 625392 HALON SYS, SECONDARY INDICATOR ONLY 12V  
 29 1756729 PAD, SPOTLIGHT REMOTE CONTROL

## BRACKETS

- 1773807 BRACKET, ALUM 1/8"X 2"X 6" W/S WIPER  
 1831123 PLATE, ALUM 3/8"X 16"X 16"W/CNRN ANGLE  
 1229103 PLATE, ALUM 3/8"X 14"X 14" H/S BACKING

## HARNESSES

- 1840041 HARNESS, CMD DUAL STATION 30'  
 1772366 HARNESS, ENG MERC DATA 14-PIN DTS 30'  
 1818621 EXTENSION, SECOND STA HARNESS KIT 30'  
 1807869 HARNESS, NRTHSTR VHF BLKBOX TO SPKR CBL 72"  
 (PART OF 1807450)  
 1807871 HARNESS, NRTHSTR VHF BLKBOX PWR CBL 6'  
 (PART OF 1807450)  
 1808034 HARNESS, NRTHSTR VHF BLKBOX HAILER CBL  
 (PART OF 1807450)

## HOSE

- 1782255 STEERING HOSE, 5/16"X 1"W/FITTINGS (SEASTAR)  
 1790680 STEERING HOSE, 5/16"X 26"W/FITTINGS (SEASTAR)

## LABELS

- 1752856 LABEL, WARNING LTD VISION FROM HELM STN  
 1744738 LABEL, RECEPTACLE 12V-15A MAX (LEXAN)  
 221705 LABEL, WARNING FORWARD VISIBILITY (LEXAN)  
 1112598 LABEL, DO NOT OPERATE IF VISIBILITY OBSTRUCTED

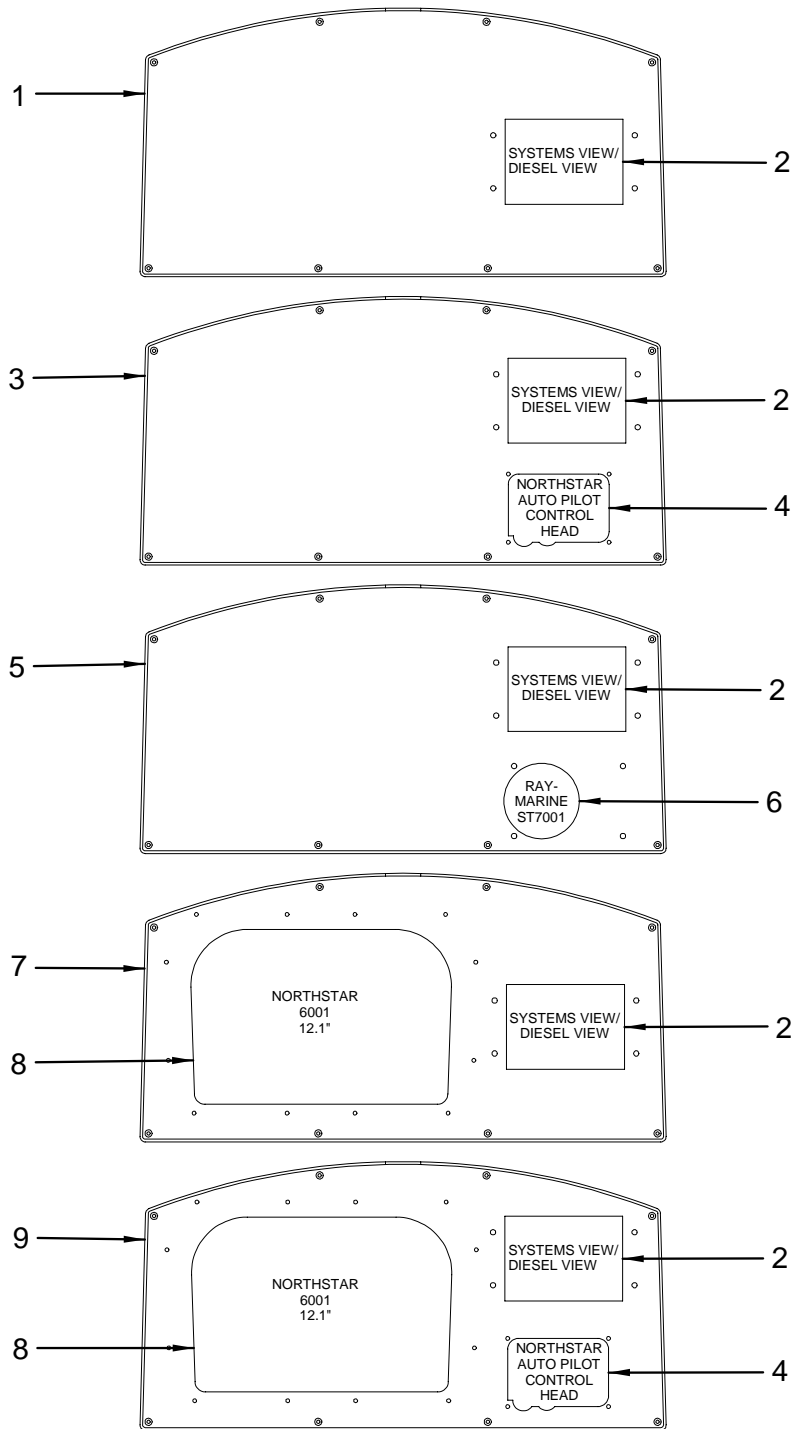
## NOT SHOWN

- 226746 PANEL, LAM 1/2" 4X8 BLK MATTE G1S  
 1838787 PANEL, CMD C-CRUISE SWITCH  
 1889455 SWITCHES, SECOND STA C CRUISE  
 1820272 SWITCH, IGN ASSY 3-POS  
 (T-8.1 S DTS HORIZON (T-370PH)MCM INBOARDS)  
 1468214 CABLE, MARINE STRANDED 14/2 (RD/BLK)TYP3 SHLD  
 (T-CMD QSB 380 (T-364 PH) DIESEL INBOARDS)  
 1819530 COVER, PLAS DUAL BUSS 5 X8/32SCRW BLK  
 1838794 ACC PART, CMD DSL VIEW DISPLAY  
 (DIES & LOWER HELM)  
 188698 TEE, BRASS 3/8"COMP X 3/8"COMP X 3/8"COMP  
 1790090 ACC PART, EXT HARNESS 15' MERC KEY SW  
 (T-8.1 S DTS HORIZON (T-370PH)MCM INBOARDS)  
 1849200 LIGHT, W/INVERTER WIRE LAMP 12V 1FT  
 1781397 ACC PART, MERC DUAL HELM DATA 14 PIN ADAPTER  
 1889456 ACC PART, SECOND STA DSL VIEW  
 (DIES & LOWER HELM)  
 1771022 ACC PART, MERC ALARM BUZZER W/HARNESS W/CONN  
 1819530 COVER, PLAS DUAL BUSS 5 X8/32SCRW BLK  
 1791619 CLIP, XMAS TREE .276" X 1.30" NATURAL  
 1736218 BOARD, P/B 420DA-03 UPR CNTRL STAT COMPONENT  
 1883898 CHERRY, MOLDING GALLEY FLOOR HATCH RING  
 1892306 RAIL, 36DB LWR HELM  
 1894005 ADAPTER, 36DB-07 NMEA  
 (DIES & LOWER HELM)

## WINDSHIELD WIPERS (LOWER CONTROL STATION)

- 1878437 WIPER ARM, 34" PANTOGRAPH WET ARM  
 1878439 WIPER MOTOR, 80 DEG PRT PARK 12V 223BD  
 1878440 WIPER MOTOR, 80 DEG SWEEP STB PARK 12V 223BD  
 1878441 WIPER BLADE, 25.5" HVY DUTY 650MM  
 1719419 WIPER, SEATECH 2/DECK FIT WSHR KIT 90DG 12VDC  
 1599232 VALVE, SEATECH BRASS WTR 12VDC  
 (PART OF 1719419)  
 1599240 ADAPTER, SEATECH 1/4"MNPT X 1/4" PUSH-ON  
 (PART OF 1719419)  
 1599257 ADAPTER, SEATECH 3/8"-24 X 1/4" PUSH-ON  
 (PART OF 1719419)  
 1599265 TEE, SEATECH PLAS 1/4" UNION  
 (PART OF 1719419)  
 1599273 ELBOW, SEATECH SS 3/16" STEM W/S WASHER  
 (PART OF 1719419)  
 1599281 FITTING, SEATECH SS W/S WASHER DECK  
 (PART OF 1719419)  
 1773928 ELBOW, SEATECH PLAS UNION  
 (PART OF 1719419)  
 1893125 SHIM, HDPE WIPER MOTOR

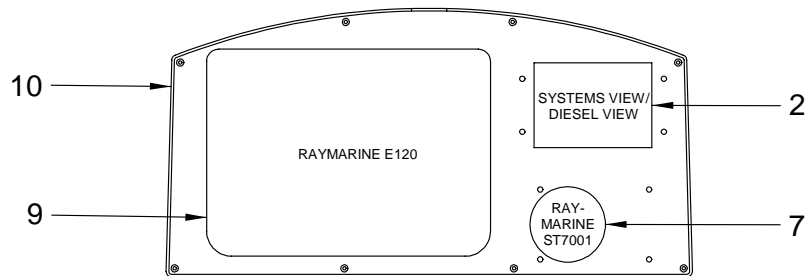
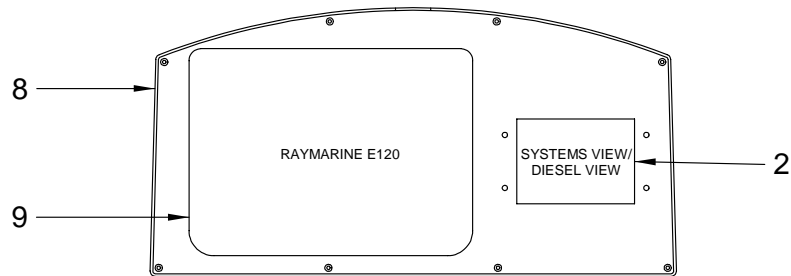
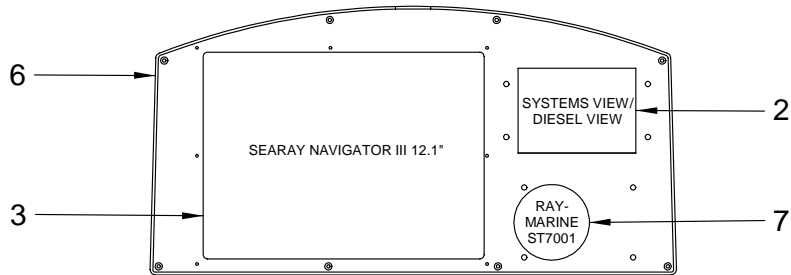
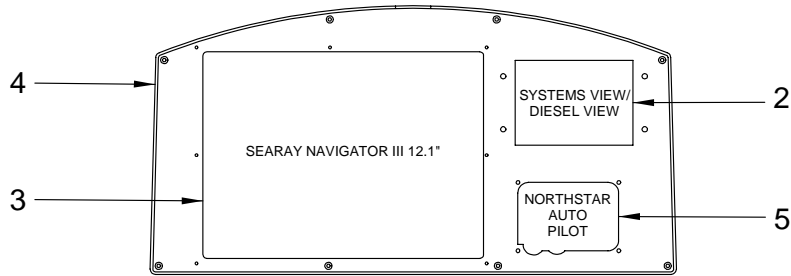
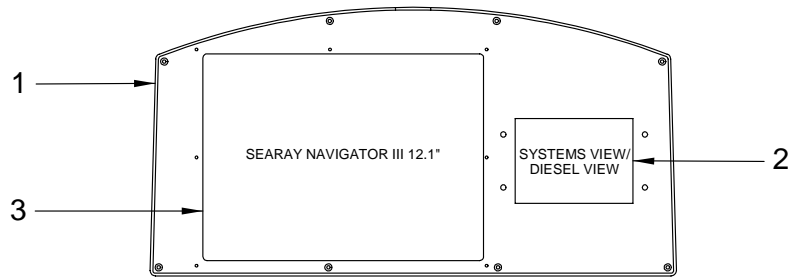
ELECTRONIC PANELS LOWER



**ELECTRONIC PANELS LOWER**

- 1 1831384 PANEL, BLANK:36DB-06 ELEC LWR W/SYSVW  
(LOWER CONTROL STATION)
- 2 1816009 ACC PART, MERC S-CRFT SYS VIEW '06 VER 3.45
- 3 1831388 PANEL, BLANK:36DB-06 LWR SYSVW/NRTHSTR AUTO
- 4 1807919 AUTO PILOT, NRTHSTR NS3300 DISPLAY ONLY  
(NORTHSTAR 3300 AUTOPILOT)
- 5 1831385 PANEL, BLANK:36DB-06 LWR SYSVW/RAYMAR AUTO  
(LOWER STATION & RAYMARINE AUTO)
- 6 1666163 AUTO PILOT, RAYPILOT ST7001 DISPLAY ONLY  
(AUTOPILOT - RAYPILOT ST 7001+)
- 1812985 PANEL, BLANK:36DB-06 SYSVW/RAYMAR AUTO
- 1839229 AUTO PILOT, RAYPILOT ST8002 W/SURFACE MNT  
(LOWER STATION & RAYMARINE AUTO)
- 7 1831404 PANEL, BLANK:36DB-06 LWR SYSVW/NRTHSTR 12"
- 8 1807061 NAVIGATION DISPLAY, NRTHSTR 6000I 12.1"  
(PART OF 1807060)
- 1807060 NAVIGATOR, NRTSTR 6000I 12.1" CMPLT PKG  
(NORTHSTAR AUX. 6000I 12" GPS / CHARTPLOTTER)
- 1807061 NAVIGATION DISPLAY, NRTHSTR 6000I 12.1"  
(PART OF 1807060)
- 1807065 NAVIGATOR, NRTHSTR 6000I INSTALL KIT 12.1"  
(PART OF 1807060)
- 1770977 NAVIGATOR, NRTHSTR FLUSH MNT KNOB  
(PART OF 1807060)
- 1770976 NAVIGATOR, NRTHSTR 6000I GPS ANTENNA  
(PART OF 1807060)
- 1795140 HARNESS, NRTHSTR 6000I NMEA I/O CBL  
(PART OF 1807060)
- 1770972 HARNESS, NRTHSTR 6000I RADAR INTERFACE CBL  
(PART OF 1807060)
- 1770973 HARNESS, POWER CBL KIT NRTHSTR 6000I  
(PART OF 1807060)
- 9 1831389 PANEL, BLANK:36DB-06 LWR SYSVW/NRTHSTR12/AUTO

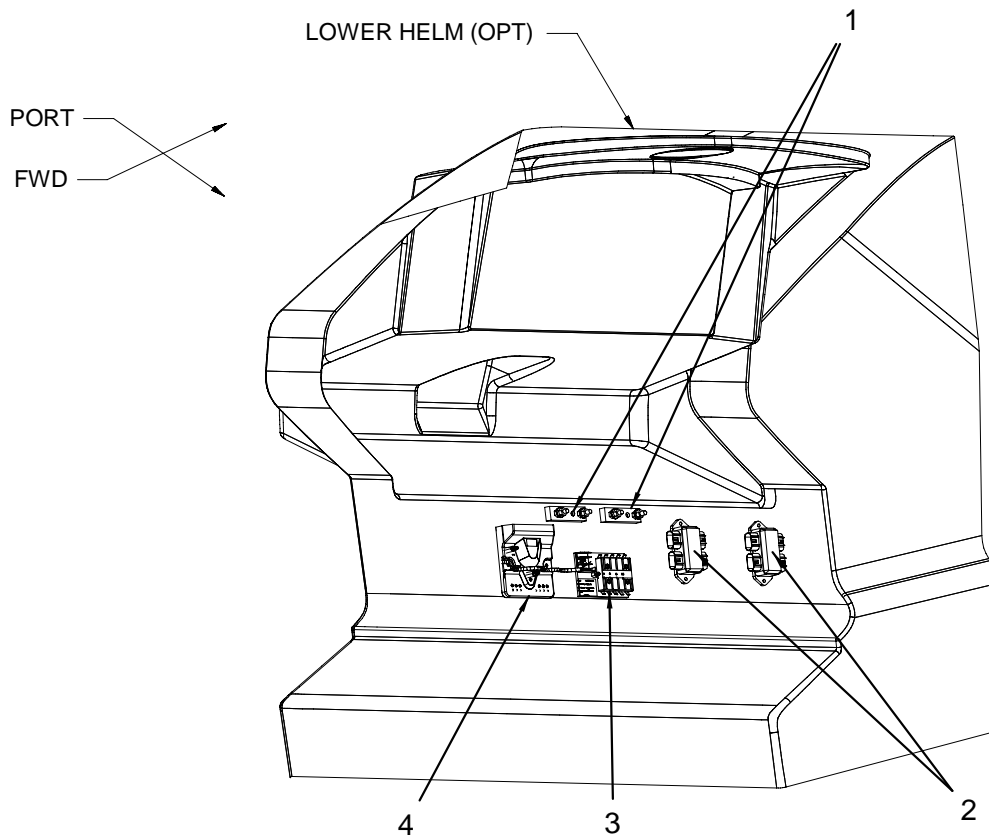
ELECTRONIC PANELS LOWER (CONTINUED 1)



**ELECTRONIC PANELS LOWER (CONTINUED 1)**

- 1 1838601 PANEL, BLANK:36DB-07 ELEC LWR SYSVW/SRN3
- 2 1816009 ACC PART, MERC S-CRFT SYS VIEW '06 VER 3.45
- 3 1818152 NAVIGATOR, SRNIII MODEL 312 COMPUTER  
**(SEA RAY NAV 3 GPS / CHARTPLOTTER / RADAR)**
- 4 1838602 PANEL, BLANK:36DB-07 LWR SYSVW/NRTHSTAUT/SRN3
- 5 1807919 AUTO PILOT, NRTHSTR NS3300 DISPLAY ONLY  
**(NORTHSTAR 3300 AUTOPILOT)**
- 6 1839141 PANEL, BLANK:36DB-07 LWR SYSVW/RAY AUTO/SRN3
- 7 1666163 AUTO PILOT, RAYPILOT ST7001 DISPLAY ONLY  
**(AUTOPILOT - RAYPILOT ST 7001+)**
- 1839229 AUTO PILOT, RAYPILOT ST8002 W/SURFACE MNT  
**(LOWER STATION & RAYMARINE AUTO)**
- 8 1831386 PANEL, BLANK:36DB-06 LWR SYSVW/RAYMAR 12"  
**(LOWER STATION & RAYMARINE RADAR)**
- 9 1800082 NAVIGATION DISPLAY, RAYMARINE E120 12" CLRLCD  
**(RAYMARINE E120 CHARTPLOTTER ONLY)**
- 10 1831387 PANEL, BLANK:36DB-06 LWR SYSVW/RAYMAR 12/AUTO



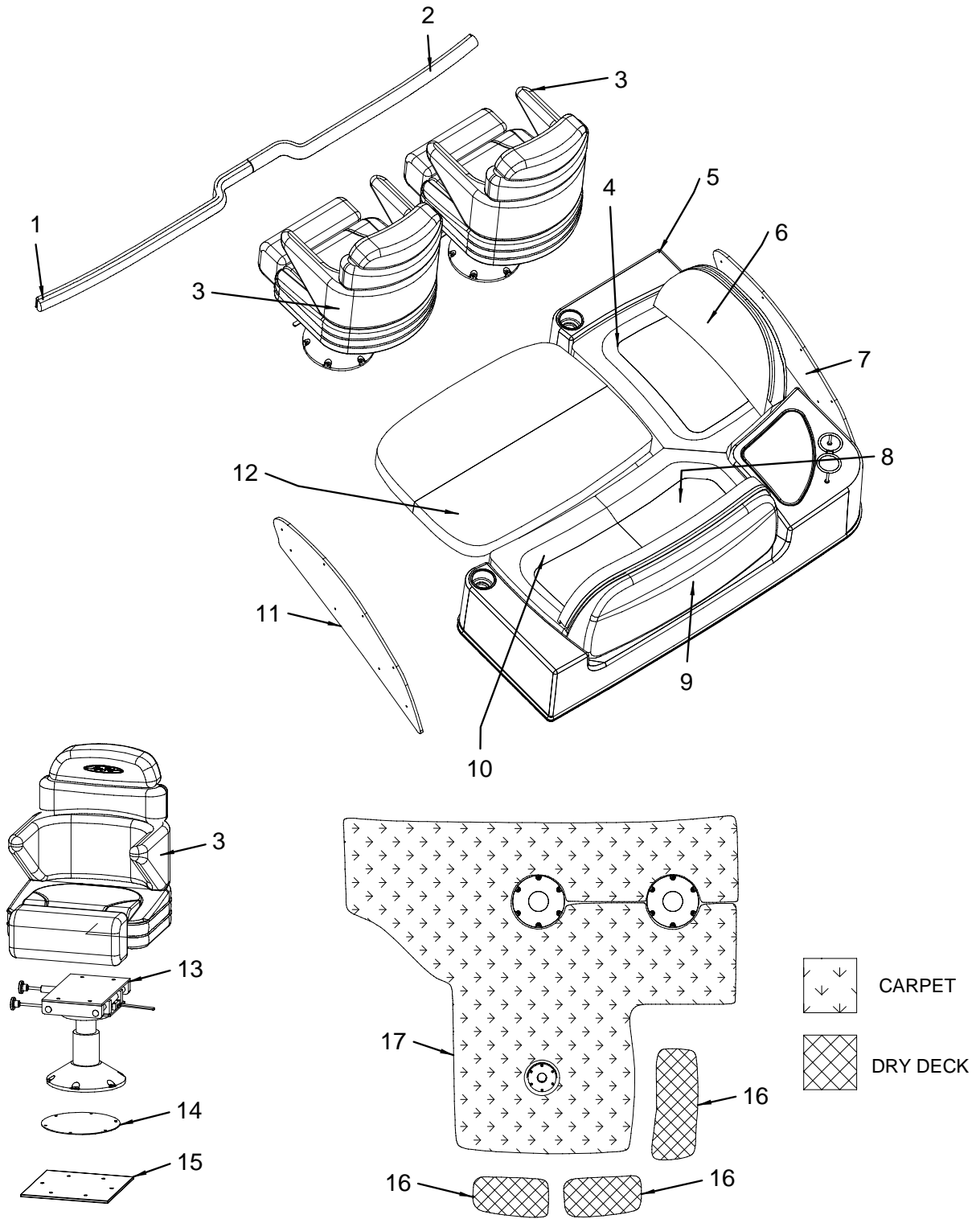
**COMPONENT BOARD (LOWER CONTROL STATION)****COMPONENT BOARD (LOWER CONTROL STATION)**

- 1 829432 BUSS BAR, DBL POST 5/16"
- 1819529 BUSS BAR, DUAL BUSS 5 X8/32SCRW 100A TIN/COPR
- 2 1507326 ACC PART, MERC S-CRFT JUNC BOX 4-WAY
- 1833336 BOARD, LDPVC 36DB-06 BRDG CNTRL STA SCRFT JBX
- 3 1880894 FUSE BLOCK, NAV ELEC 12POS W/SCREW TERM & CVR  
(HULL# 577 -> UP)
- 937490 FUSE BLOCK, 10-GNG BLADE-TYPE ELECTRONICS  
(HULL# 501 -> 576)
- 731000 FUSE, BLADE TYPE CLOSED 10A
- 1596923 FUSE HOLDER, BLADE TYPE ACCY 10A
- 4 1814358 MODULE, EDS 6CH-15A

**NOT SHOWN**

- 1756669 BOARD, P/B 390DA-04 CNTRL STAT COMP LWR

BRIDGE SEATING AND UPHOLSTERY



## BRIDGE SEATING AND UPHOLSTERY

## VINYL

1619626 VINYL, DADE PEWTER MIST EXP FLAT  
1287150 VINYL, DADE PEWTER MIST EXP 1/4"FB

- 1 1878092 36DB 07,MUFF,PRT DASH
- 2 1878093 36DB 07,MUFF,STB DASH
- 3 1830713 BKT SEAT, SPCR/SPYT-06 W/THGHRM OMNOVA/AMBRFR
- 1872706 BKT SEAT, SPC/SPY-06 W/TH CMPT SKN OMVA/AMBRFR
- 1849593 BKT SEAT, SPCR/SPYT-06 W/THGHRM OMNOVA/MIDB  
(NAVY CANVAS /MIDNIGHT BLUE /GRAY FIELDSTONE)
- 1849594 BKT SEAT, SPCR/SPYT-06 W/THGHRM OMNOVA/EMGRN  
(GREEN CANVAS / EMERALD / EVERGREEN)
- 4 1878094 36DB 07,CUSH,STB BRDG
- 1878095 36DB 07,CUSH SKN,STB BRDG
- 5 1878096 36DB 07,BASE,BRDG AFT SEAT
- 6 1878097 36DB 07,BLSTR,STB BRDG
- 1878098 36DB 07,BLSTR SKN,STB BRDG
- 7 1878342 36DB 07,PNL,AFT FCNG ARCH STB CKPT
- 8 1878099 36DB 07,CUSH,BRIDGE AFT STB
- 1878100 36DB 07,CUSH SKN,BRDG AFT STB
- 9 1878327 36DB 07,BLSTR,BRDG AFT
- 1878328 36DB 07,BLSTR SKN,BRDG AFT
- 10 1878329 36DB 07,CUSH,BRDG PRT AFT
- 1878330 36DB 07,CUSH SKN,BRDG PRT AFT
- 11 1878343 36DB 07,PNL,AFT FACING ARCH PRT CKPT
- 12 1878331 36DB 07,CUSH,SUNPAD BRDG AFT
- 1878332 36DB 07,CUSH SKN,SUNPAD BRDG AFT
- 13 1854214 PEDESTAL/SLIDE, CMDR-2 FIXED HEIGHT 11.25"  
(HULL# 537 -> UP)
- 1272244 PEDESTAL/SLIDE, CMDR FIXED HEIGHT 11.25"  
(HULL# 501 -> 536)
- 1854208 PEDESTAL/SLIDE, CMDR-2 W/CLR 14.25"/18.25"  
(HULL# 537 -> UP)
- 1763530 PEDESTAL/SLIDE, CMDR W/COLLAR 14.25"/18.25"  
(HULL# 501 -> 536)
- 14 1269422 PLATE, HELM SEAT BASE DETACHABLE
- 15 1746052 PLATE, ALUM 3/8"X 8"X 16" H/S BACKING
- 16 407247 FLOORING, VINYL GRID DECKING WHT "DRI-DEK"
- 17 1878335 36DB 07,CARPET,HELM CKPT

## BASE VINYL

- 1788396 VINYL, SOFTDURA MYSTIC WHT FLAT OMNOVA  
(INTERIOR A,B,C,D,E)
- 1788397 VINYL, SOFTDURA MYSTIC WHT 1/4" F/B OMNOVA  
(INTERIOR A,B,C,D,E)

## CARPET SNAP-IN

- 1609916 CARPET, EXT 28 OZ DUNE PEBBLE #902 RL 7"W

## FOAM

- 1819383 FOAM, P/C 36DB-06 BRDG SEAT/BCKRST

## NOT SHOWN

- 1739504 NOSING, VINYL 1"X 1/4"X 12' WHT W/SCRW RECESS
- 1740978 NOSING, VINYL 1"X 1/4"X 12' WHT INSERT
- 609883 CLEAT, PLAS 3/4"X 1"X 4" GREY
- 1218205 BINDING, CANVAS 1" TOAST TWEED SNBRLA
- 1740876 UPH PARTS, BUCKLE 1" SS ADJUST-A-BUCKLE  
(BRIDGE SUNPAD FILLER CUSHIONS)
- 1819905 POST, TABLE LEG 13"X 60MM ALUM SMTH DBLTPR  
(BRIDGE SUNPAD FILLER CUSHIONS)
- 1837502 FOAM, P/C 36DB-06 BRDG FILLER  
(BRIDGE SUNPAD FILLER CUSHIONS)
- 257238 WEBBING, POLYPROPYLENE 1" WHITE  
(BRIDGE SUNPAD FILLER CUSHIONS)

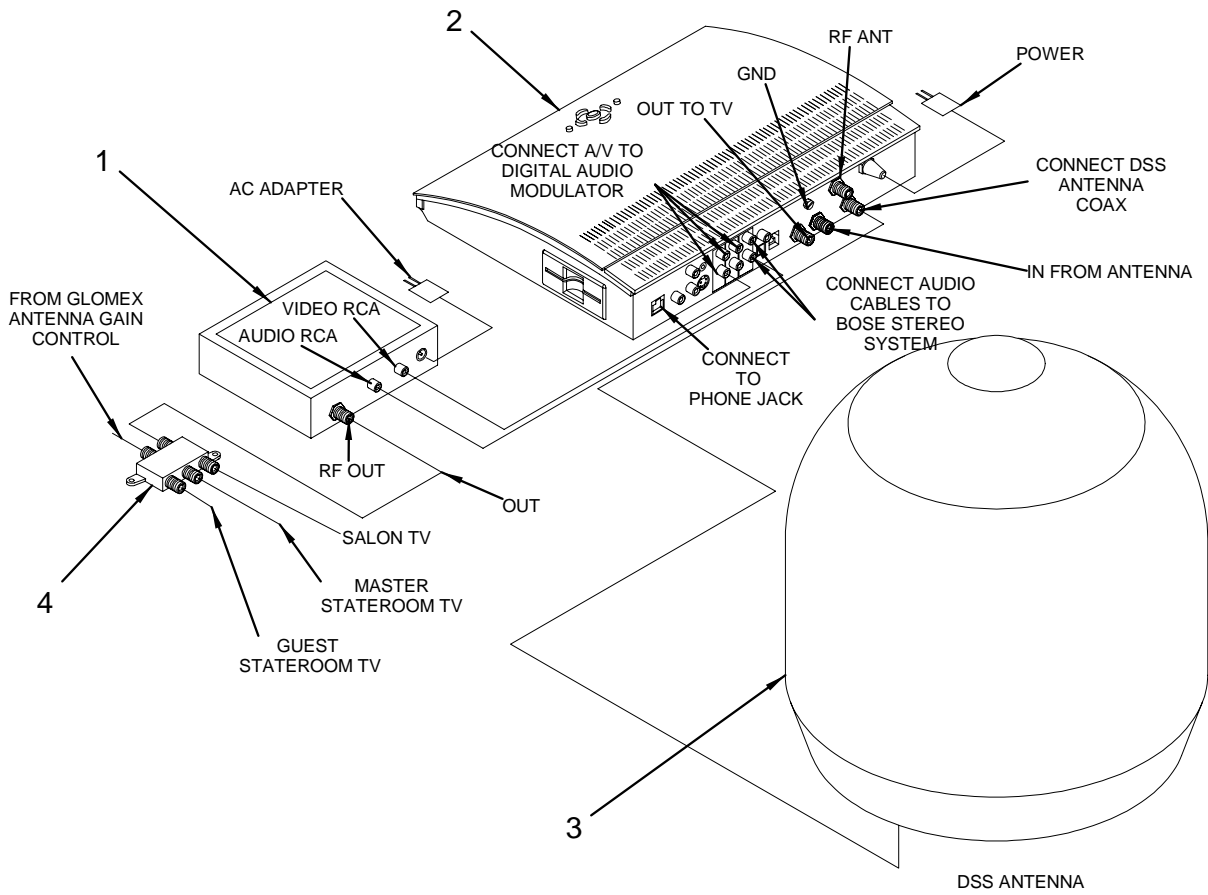
## SEAT ASSEMBLY

- 1817448 KIT, LDPVC/ABS 36DB-06 BRDG AFT STB SEAT 7PC
- 1817451 KIT, LDPVC/ABS 36DB-06 BRDG AFT SEAT 10PC
- 1830926 BOARD, LDPVC 36DB-06 BRDG AFT STB SEAT CUSH
- 1830928 ACCENT, LDPVC 36DB-06 BRDG AFT STB SEAT
- 1830930 BOARD, LDPVC 36DB-06 BRDG AFT SEAT CUSH PRT
- 1830931 BOARD, LDPVC 36DB-06 BRDG AFT SEAT CUSH STB
- 1830933 ACCENT, LDPVC 36DB-06 BRDG AFT SEAT

## UPHOLSTERY MATERIALS

- 581827 WELT, WELT CORD SYNTHETIC 5/32"X 1250'
- 1788710 VINYL, SLIT 1.5" DADE AMBER FROST EXP
- 1803983 VINYL, SLIT 1.5" MIDNIGHT BLUE EXP
- 1790297 VINYL, SLIT 1.5" DADE EMERALD GREEN EXP
- 1849744 INSERT, CORIAN BRDG SEATING EVERGREEN
- 1849743 INSERT, CORIAN BRDG SEATING GREY FIELDSTONE

DSS SATELLITE TELEVISION SYSTEM



**DSS SATELLITE TELEVISION SYSTEM**

- 1 969261 MODULAR JACK, BASE BOARD MOUNT
- 2 1833258 STEREO, RECEIVER RCA DDS W/REMOTE 12V
- 3 1264639 ANTENNA, DSS TRAC VISION 3
- 1854355 ANTENNA, DSS TRAC VISION 3 RCVR  
(PART OF 1264639)
- 1854356 ANTENNA, DSS TRAC VISION 3 REMOTE  
(PART OF 1264639)
- 1854357 EXTENSION, ANTENNA DSS TRAC VSN3 RF COAX CBL  
(PART OF 1264639)
- 4 694307 SPLITTER, TV/FM 4-WAY

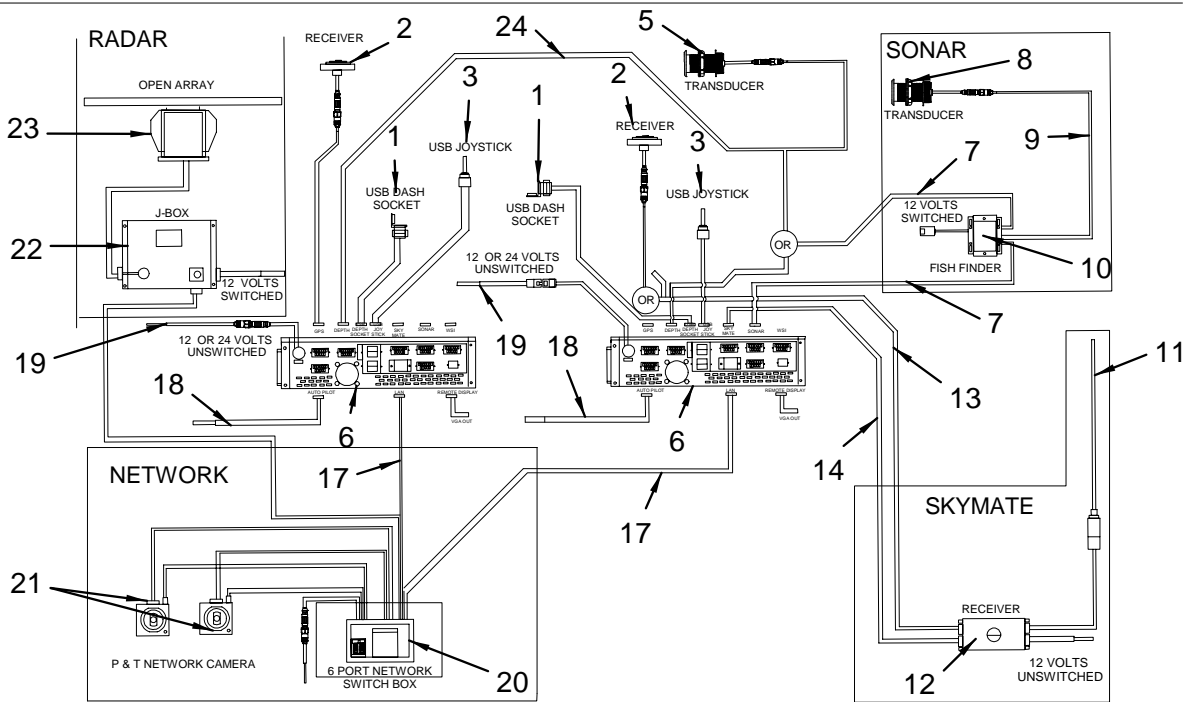
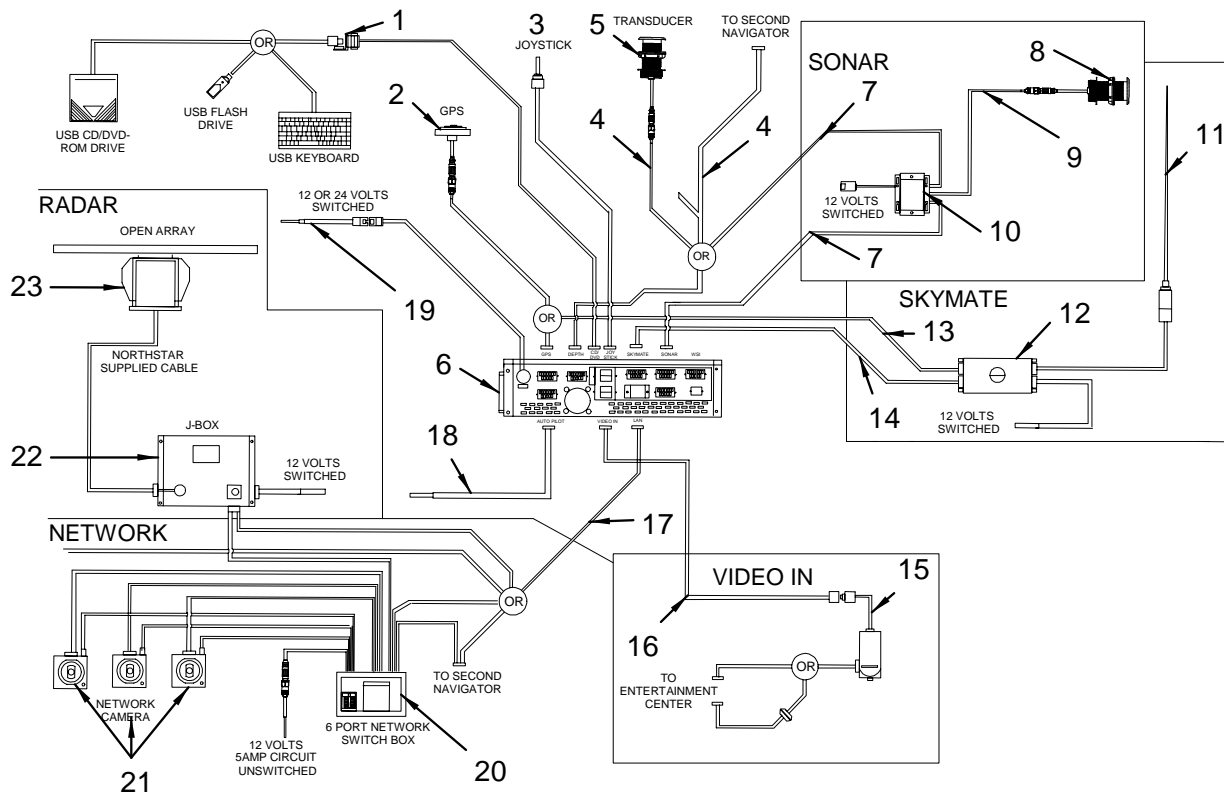
**LABELS**

- 1688700 LABEL, RCA DSS UNIT

**NOT SHOWN**

- 1779735 CABLE, COAXIAL RG6 1000' WHT
- 1539204 BRACKET, 1/8"X 3.5"X 5" ANTENNA MOUNT

SEA RAY NAVIGATOR 3 INTERCONNECT DIAGRAM

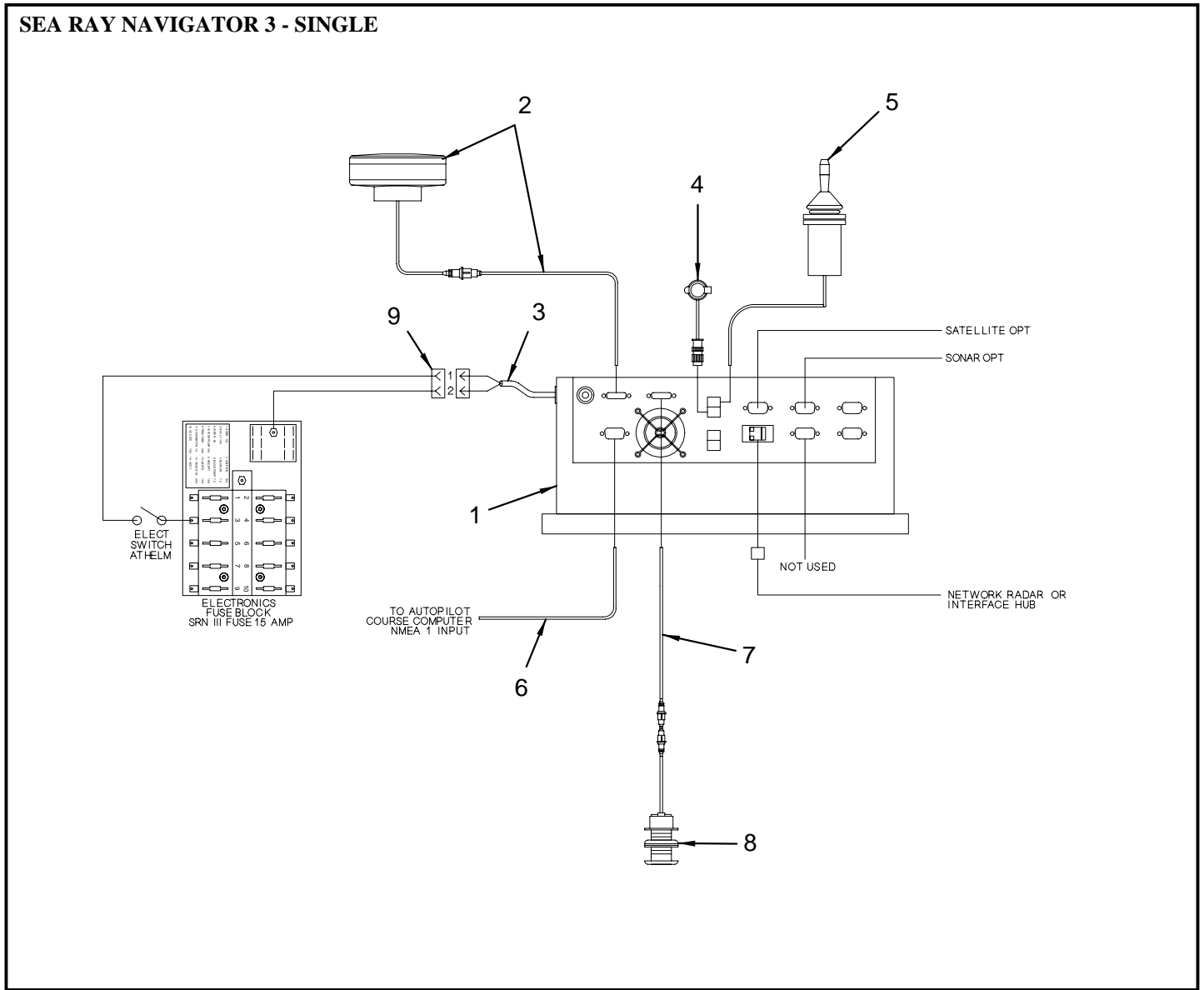


## SEA RAY NAVIGATOR 3 INTERCONNECT DIAGRAM

- 1 1818708 RECEPTACLE, SRNIII SOCKET W/CONN 6'
- 2 1818718 NAVIGATOR, SRNIII GPS ANTENNA SITEX
- 3 1818723 NAVIGATOR, SRNIII MOUSE REMOTE JOY STICK
- 4 1818719 HARNESS, TRANSDUCER 30' SRNIII
- 5 1757382 NAVIGATOR, SRNII TRANSDUCR DEPTH/TEMP W/PT NY
- 6 1818152 NAVIGATOR, SRNIII MODEL 312 COMPUTER
- 1818701 COVER, PLAS PROTECTIVE SRNIII NAVIGATOR
- 7 1818746 HARNESS, SRNIII RS-232 CABLE 6' DB-9 FEMALE  
(PART OF 1850877)
- 1818748 NAVIGATOR, SRNIII NMEA DATA/CABLE 6' DB9 MALE
- 8 1818750 NAVIGATOR, SRNIII TRNSDCR DPTH/TMP P19 0 DEG  
(SONAR / FISH FINDER FOR SEA RAY NAV. 3)
- 9 1818743 HARNESS, SRNIII CABLE EXT 30' TRANSDUCER  
(SONAR / FISH FINDER FOR SEA RAY NAV. 3)
- 10 1850877 NAVIGATOR, SRNIII BLCK BOX SONAR/FF W/CBLS
- 1818755 NAVIGATOR, SRNIII BLCK BOX SONAR/FF  
(PART OF 1850877)
- 1818748 NAVIGATOR, SRNIII NMEA DATA/CABLE 6' DB9 MALE  
(PART OF 1850877)
- 1818746 HARNESS, SRNIII RS-232 CABLE 6' DB-9 FEMALE  
(PART OF 1850877)
- 11 1818735 NAVIGATOR, SRNIII COMROD ANTENNA  
(SATELLITE INTERFACE FOR SEA RAY NAV. 3)
- 12 1767398 NAVIGATOR, SRNII WIRELESS BATT PACK  
(SATELLITE INTERFACE FOR SEA RAY NAV. 3)
- 1819236 HARNESS, SKYMATE ANTENNA CABLE 15'  
(SATELLITE INTERFACE FOR SEA RAY NAV. 3)
- 1819237 HARNESS, SKYMATE ANTENNA CABLE EXT 20'  
(SATELLITE INTERFACE FOR SEA RAY NAV. 3)
- 13 1818737 NAVIGATOR, SRNIII SKYMATE GPS Y CABLE  
(SATELLITE INTERFACE FOR SEA RAY NAV. 3)
- 14 1818736 NAVIGATOR, SRNIII SKYMATE DATA CABLE  
(SATELLITE INTERFACE FOR SEA RAY NAV. 3)
- 15 1818875 HARNESS, PRO USBA/USBA EXT CABLE 10'
- 16 1818877 NAVIGATOR, WIN TV-USB2 EXT TUNER
- 17 1838667 HARNESS, SRNIII LAN CBL NETWORK 6' RV1  
(SEA RAY NAV 3 GPS / CHARTPLOTTER / RADAR)
- 1818716 HARNESS, SRNIII LAN CBL 60'  
(S.R. NAV 3 NETWORK CAMERA - COCKPIT & BILGE)
- 18 1818703 NAVIGATOR, SRNIII CBL AUTOPILOT 6'  
(SEA RAY NAV. 3 GPS / CHARTPLOTTER)  
(SEA RAY NAV 3 GPS / CHARTPLOTTER / RADAR)
- 19 1818717 NAVIGATOR, SRNIII PWR/CORD 6' WHT  
(SEA RAY NAV. 3 GPS / CHARTPLOTTER)  
(SEA RAY NAV 3 GPS / CHARTPLOTTER / RADAR)
- 20 1818761 NAVIGATOR, SRNIII NETWORK INTRFACE HUB 6 PORT  
(NETWORK CAMERA FOR SEA RAY NAV W/ NO RADAR)  
(NETWORK CAMERA FOR SEA RAY NAV W/ RADAR)  
(AUX. SEA RAY NAV.3 12.1 GPS / CHARTPLOTTER)
- 21 1818759 CAMERA SYSTEM, SRNIII PANASONIC NETWORK  
(NETWORK CAMERA FOR SEA RAY NAV W/ NO RADAR)  
(NETWORK CAMERA FOR SEA RAY NAV W/ RADAR)
- 22 1818732 NAVIGATOR, SRNIII NETWORK RADAR JUNCTION BOX  
(SEA RAY NAV 3 GPS / CHARTPLOTTER / RADAR)
- 23 1772611 NAVIGATOR, SRNII RADAR 4KW 3.5FT ARRAY  
(SEA RAY NAV II CHARTPLOTTER W/RADAR OVERLAY)  
(SEA RAY NAV 3 GPS / CHARTPLOTTER / RADAR)
- 1818733 NAVIGATOR, SRNIII RJ45 6' RADAR INTRFACE CABL  
(SEA RAY NAV 3 GPS / CHARTPLOTTER / RADAR)
- 24 1818721 HARNESS, SRNIII CBL NMEA Y SPLITTER DEPTH 6'

## NOT SHOWN

- 1818725 MANUAL, SRNIII OWNERS KIT  
(SEA RAY NAV. 3 GPS / CHARTPLOTTER)  
(SEA RAY NAV 3 GPS / CHARTPLOTTER / RADAR)
- 1783313 NAVIGATOR, SRNII RADAR SOFTWARE  
(SEA RAY NAV 3 GPS / CHARTPLOTTER / RADAR)



**SEA RAY NAVIGATOR 3 - SINGLE**

- 1 1818152 NAVIGATOR, SRNIII MODEL 312 COMPUTER
- 1818701 COVER, PLAS PROTECTIVE SRNIII NAVIGATOR
- 2 1818718 NAVIGATOR, SRNIII GPS ANTENNA SITEX
- 3 1818717 NAVIGATOR, SRNIII PWR/CORD 6' WHT
- 4 1818708 RECEPTACLE, SRNIII SOCKET W/CONN 6'
- 5 1818723 NAVIGATOR, SRNIII MOUSE REMOTE JOY STICK
- 6 1818703 NAVIGATOR, SRNIII CBL AUTOPILOT 6'
- 7 1818719 HARNES, TRANSDUCER 30' SRNIII
- 8 1757382 NAVIGATOR, SRNII TRANSDUCR DEPTH/TEMP W/PT NY
- 9 1408376 PLUG KIT, DEUTSCH DTP06-2S PLUG W/SOCKET
- 1408400 PLUG KIT, DEUTSCH SEC LOCK SCKT 2-POS
- 1376052 PLUG KIT, DEUTSCH HDP24-24-16-PN
- 1376086 PLUG KIT, DEUTSCH HDP26-24-16-SN

**SPLIT CONDUIT**

- 1817036 HOSE, CONDUIT/UNSPILT 1.25" FLAME RETARDANT

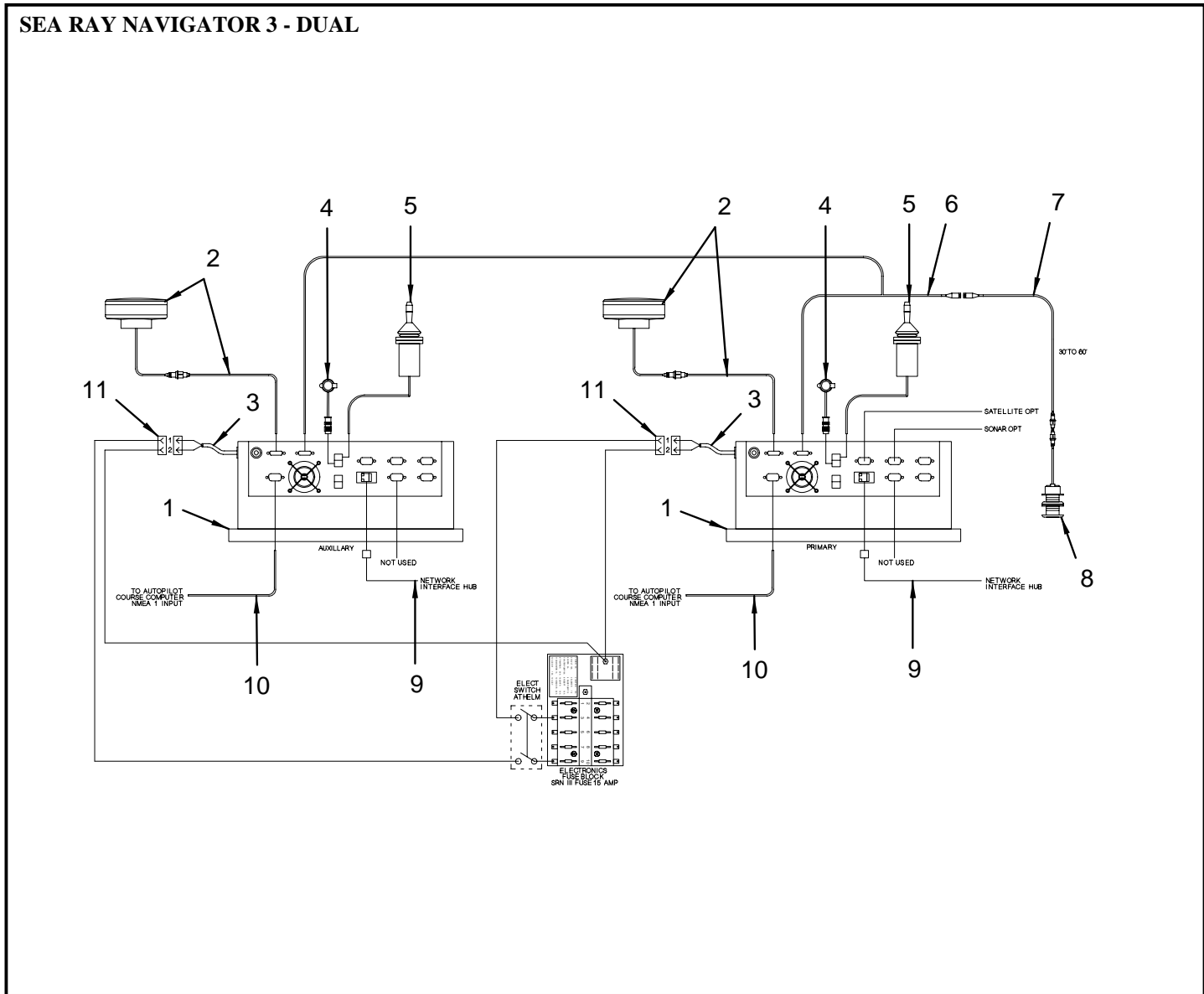
**LABELS**

- 1764499 LABEL, SEA RAY NAV USB PORT

**NOT SHOWN**

- 1818725 MANUAL, SRNIII OWNERS KIT
- 788711 MOUNT, ANTENNA DECK GPS SS
- 1800496 GPS, RAYSTAR RS125 SENSOR NMEA & SEATALK
- 681510 BODY, ROCK SW DPST 12V W/INC LAMP
- 146761 TAPE, FOAM SGL FACE BLK VINYL 1/8"X 1/4"
- 1757382 NAVIGATOR, SRNII TRANSDUCR DEPTH/TEMP W/PT NY





**SEA RAY NAVIGATOR 3 - DUAL**

**SPLIT CONDUIT**

1817036 HOSE, CONDUIT/UNSPILT 1.25" FLAME RETARDANT

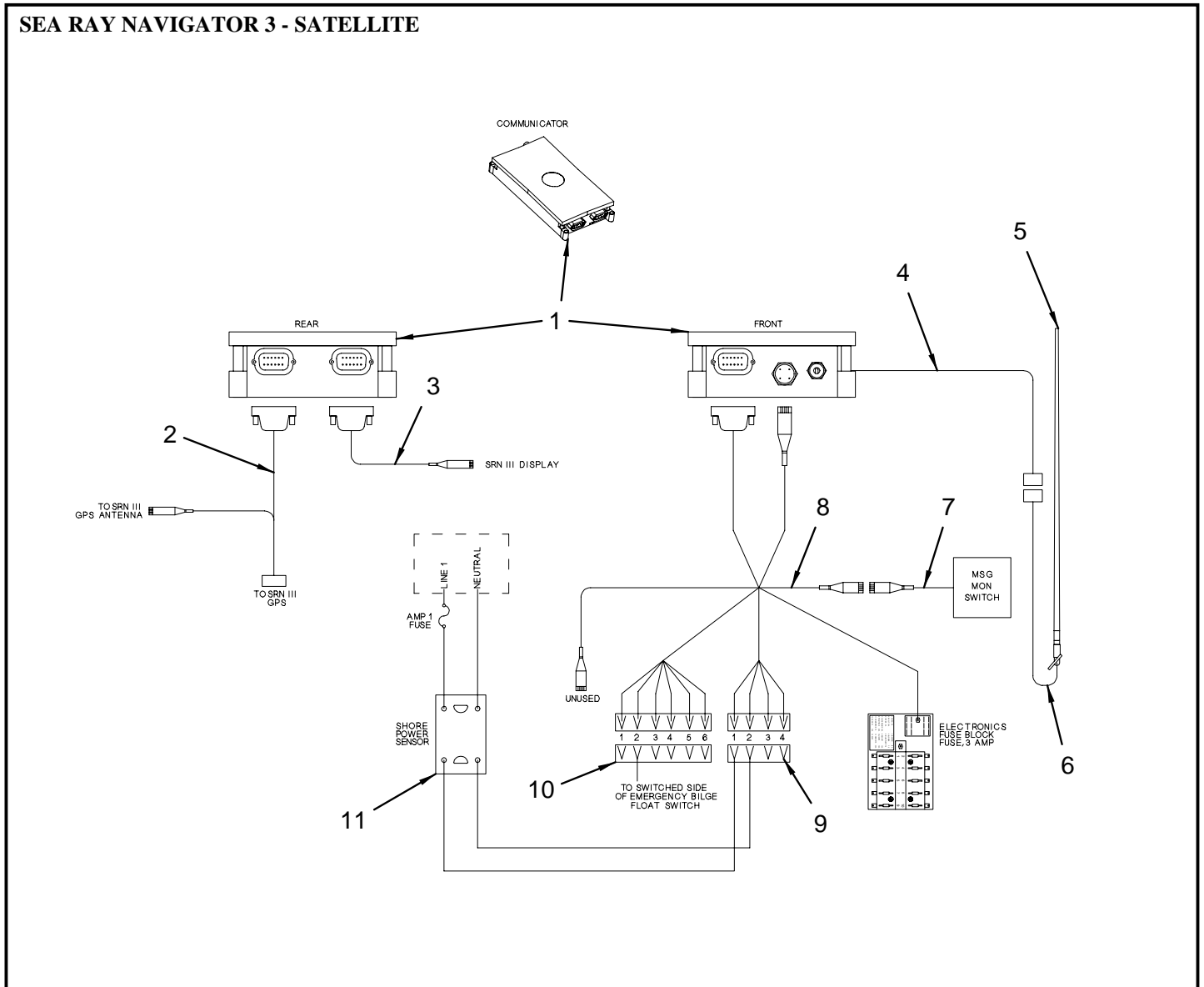
- 1 1818152 NAVIGATOR, SRNIII MODEL 312 COMPUTER
- 2 1818718 NAVIGATOR, SRNIII GPS ANTENNA SITEX
- 3 1818717 NAVIGATOR, SRNIII PWR/CORD 6' WHT
- 4 1818708 RECEPTACLE, SRNIII SOCKET W/CONN 6'
- 5 1818723 NAVIGATOR, SRNIII MOUSE REMOTE JOY STICK
- 6 1818721 HARNESS, SRNIII CBL NMEA Y SPLITTER DEPTH 6'
- 7 1818719 HARNESS, TRANSDUCER 30' SRNIII
- 8 1757382 NAVIGATOR, SRNII TRANSDUCR DEPTH/TEMP W/PT NY
- 9 1838667 HARNESS, SRNIII LAN CBL NETWORK 6' RV1
- 10 1818703 NAVIGATOR, SRNIII CBL AUTOPILOT 6'
- 11 1408376 PLUG KIT, DEUTSCH DTP06-2S PLUG W/SOCKET
- 1717517 PLUG KIT, DEUTSCH F/C 10-12AWG SCKT
- 1408400 PLUG KIT, DEUTSCH SEC LOCK SCKT 2-POS
- 1376052 PLUG KIT, DEUTSCH HDP24-24-16-PN
- 1376086 PLUG KIT, DEUTSCH HDP26-24-16-SN

**LABELS**

1764499 LABEL, SEA RAY NAV USB PORT

**NOT SHOWN**

- 1818725 MANUAL, SRNIII OWNERS KIT
- 1818726 MANUAL, SRNIII SECOND STATION OWNERS KIT
- 1818761 NAVIGATOR, SRNIII NETWORK INTRFACE HUB 6 PORT



**SEA RAY NAVIGATOR 3 - SATELLITE**

- 1 1760316 NAVIGATOR, SR MDL SRNII SATELLITE COMMUNICATOR
- 2 1818737 NAVIGATOR, SRNIII SKYMATE GPS Y CABLE
- 3 1818736 NAVIGATOR, SRNIII SKYMATE DATA CABLE
- 4 1819237 HARNESS, SKYMATE ANTENNA CABLE EXT 20'
- 5 1818735 NAVIGATOR, SRNIII COMROD ANTENNA
- 115311 MOUNT, RATCHET VHF 4-WAY W/1"-14 MALE THD SS
- 1539204 BRACKET, 1/8"X 3.5"X 5" ANTENNA MOUNT
- 6 1819236 HARNESS, SKYMATE ANTENNA CABLE 15'
- 7 1767401 NAVIGATOR, SRNII SATELLITE MODE SW W/CABLE
- 8 1774890 NAVIGATOR, SRNII SATELLITE WIRING HARNESS
- 9 1741427 PLUG KIT, DEUTSCH S/F 20AWG SCKT
- 10 1364736 PLUG KIT, DEUTSCH SEC LOCK PLUG 2-POS
- 11 1767399 NAVIGATOR, SRNII SATELLITE SHORE PWR SENSOR

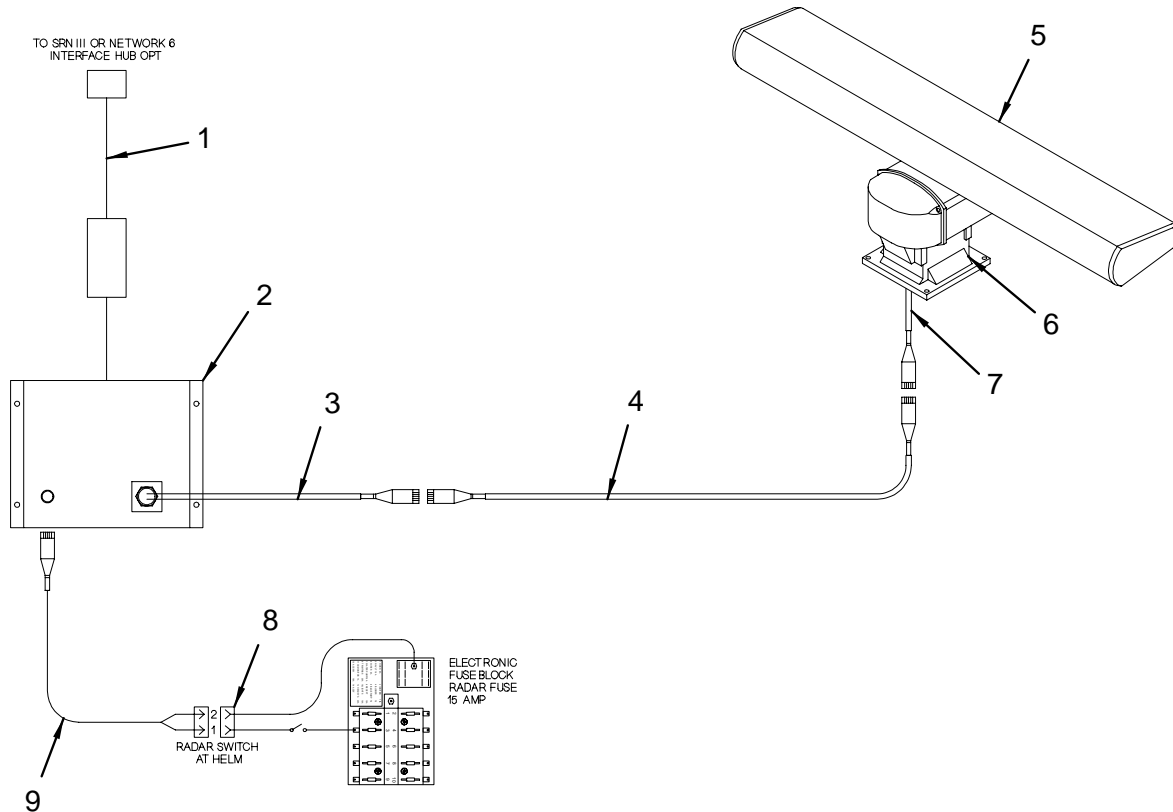
**CLAMPS**

- 123646 CLAMP, LOOM VINYL DIP #32 2"

**NOT SHOWN**

- 630822 FUSE HOLDER, 6-FUSE BREAK-AWAY STRIP
- 1596360 CONN, "BNC" TYPE BNC MALE FOR RG8X
- 1274588 CONN, SOLDERLESS W/CTR PIN
- 1777084 ANTENNA, 8'PREMIUM VHF ANTENNA W/CONN
- 1760319 NAVIGATOR, SRNII SATELLITE SOFTWARE
- 1767398 NAVIGATOR, SRNII WIRELESS BATT PACK

**SEA RAY NAVIGATOR 3 - RADAR**



**SEA RAY NAVIGATOR 3 - RADAR**

- 1 1818733 NAVIGATOR, SRNIII RJ45 6' RADAR INTRFACE CABL
- 2 1818732 NAVIGATOR, SRNIII NETWORK RADAR JUNCTION BOX
- 3 1770981 HARNESS, RADAR CBL 20' NRTHSTR 6000I
- 4 1770985 HARNESS, RADAR CBL EXT 15' NRTHSTR 6000I
- 5 1772611 NAVIGATOR, SRNII RADAR 4KW 3.5FT ARRAY
- 6 1772610 NAVIGATOR, SRNII RADAR PEDSTAL
- 7 1772612 HARNESS, RADAR PIGTAIL 1' NRTHSTR
- 8 1741427 PLUG KIT, DEUTSCH S/F 20AWG SCKT
- 9 1772609 NAVIGATOR, SRNII RADAR PWR CABLE

**NOT SHOWN (continued)**

- 1783313 NAVIGATOR, SRNII RADAR SOFTWARE
- 1818723 NAVIGATOR, SRNIII MOUSE REMOTE JOY STICK
- 1818718 NAVIGATOR, SRNIII GPS ANTENNA SITEX
- 1818717 NAVIGATOR, SRNIII PWR/CORD 6' WHT
- 1818703 NAVIGATOR, SRNIII CBL AUTOPILOT 6'
- 1757382 NAVIGATOR, SRNII TRANSDUCR DEPTH/TEMP W/PT NY

**HARNESSES**

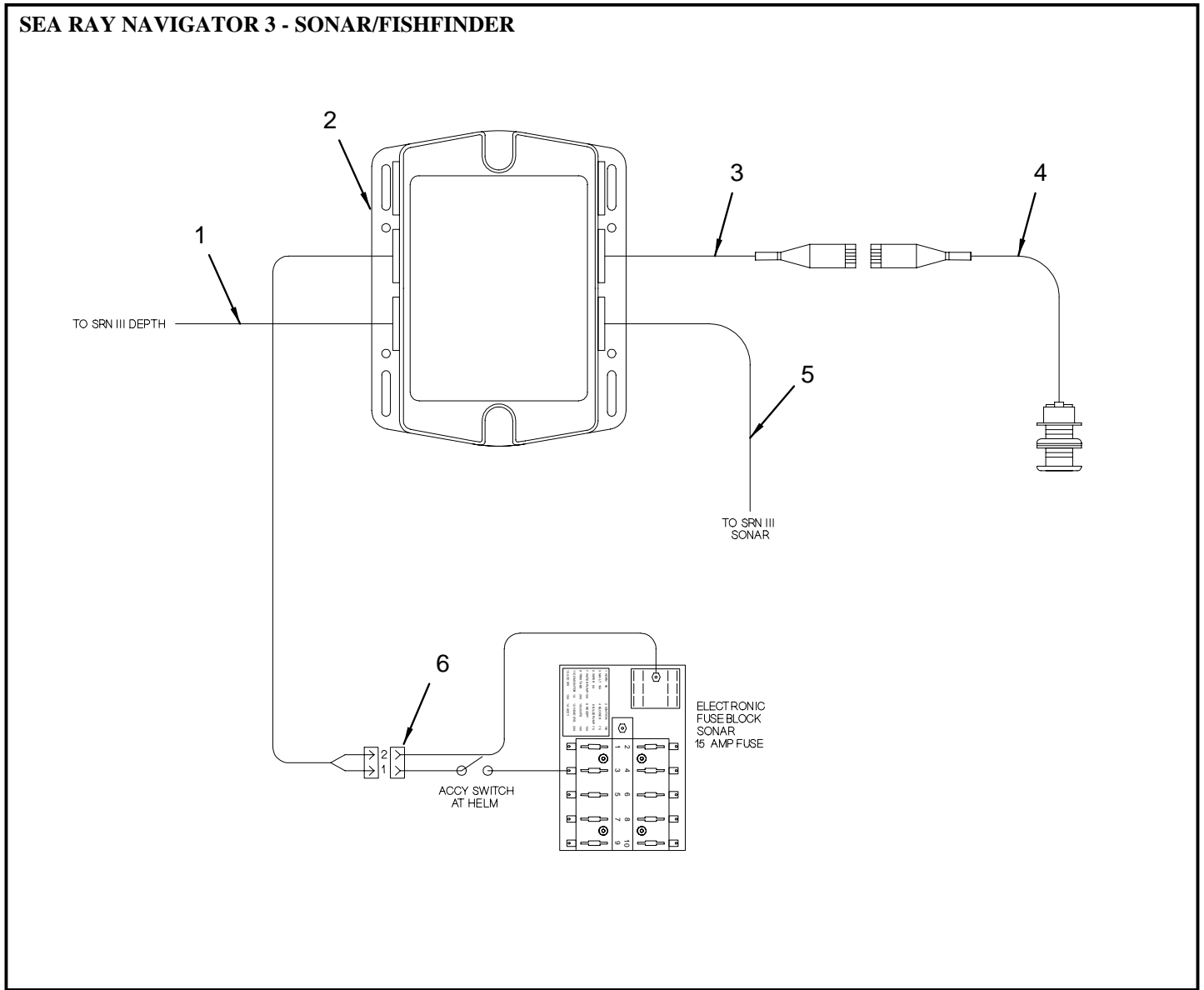
- 1772612 HARNESS, RADAR PIGTAIL 1' NRTHSTR
- 1818719 HARNESS, TRANSDUCER 30' SRNIII
- 1838667 HARNESS, SRNIII LAN CBL NETWORK 6' RV1

**LABELS**

- 1764499 LABEL, SEA RAY NAV USB PORT

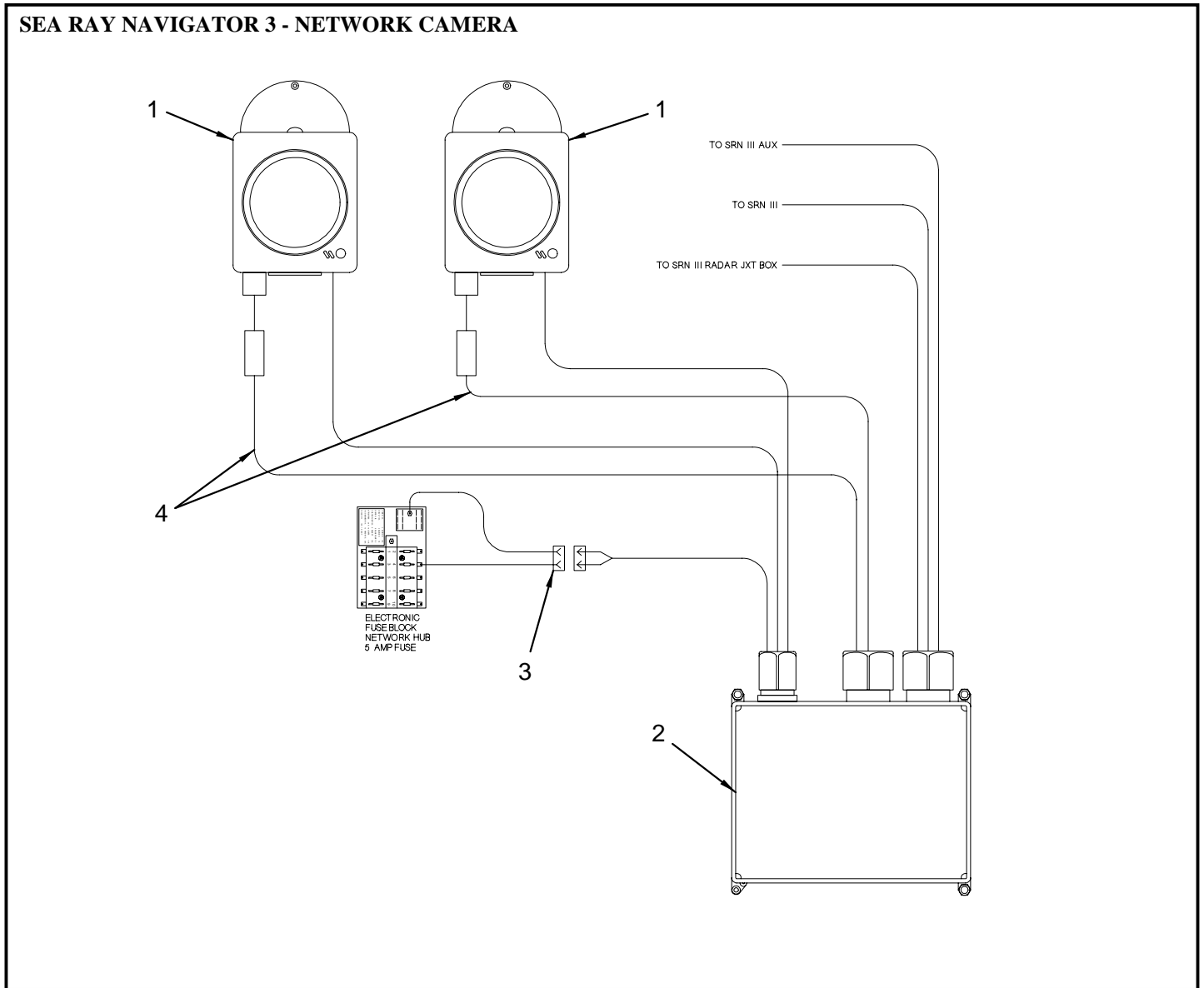
**NOT SHOWN**

- 1818725 MANUAL, SRNIII OWNERS KIT
- 681510 BODY, ROCK SW DPST 12V W/INC LAMP
- 1818708 RECEPTACLE, SRNIII SOCKET W/CONN 6'
- 1818701 COVER, PLAS PROTECTIVE SRNIII NAVIGATOR



**SEA RAY NAVIGATOR 3 - SONAR/FISHFINDER**

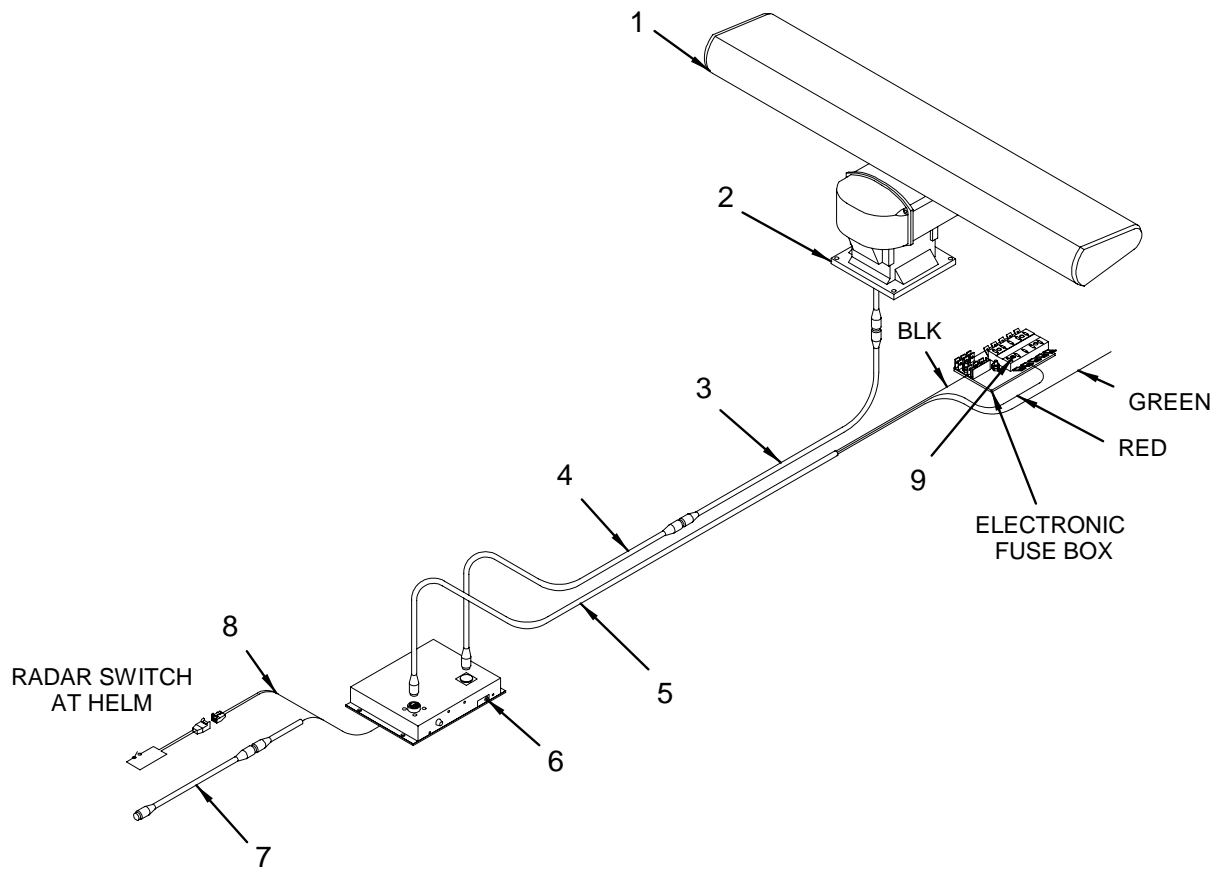
- 1 1818748 NAVIGATOR, SRNIII NMEA DATA/CABLE 6' DB9 MALE
- 2 1850877 NAVIGATOR, SRNIII BLCK BOX SONAR/FF W/CBLS
- 1818748 NAVIGATOR, SRNIII NMEA DATA/CABLE 6' DB9 MALE  
(PART OF 1850877)
- 1818755 NAVIGATOR, SRNIII BLCK BOX SONAR/FF  
(PART OF 1850877)
- 1818746 HARNESS, SRNIII RS-232 CABLE 6' DB-9 FEMALE  
(PART OF 1850877)
- 3 1818743 HARNESS, SRNIII CABLE EXT 30' TRANSDUCER
- 4 1818750 NAVIGATOR, SRNIII TRNSDCR DPTH/TMP P19 0 DEG
- 5 1818746 HARNESS, SRNIII RS-232 CABLE 6' DB-9 FEMALE  
(PART OF 1850877)
- 6 1408376 PLUG KIT, DEUTSCH DTP06-2S PLUG W/SOCKET
- 1717517 PLUG KIT, DEUTSCH F/C 10-12AWG SCKT
- 1408400 PLUG KIT, DEUTSCH SEC LOCK SCKT 2-POS



**SEA RAY NAVIGATOR 3 - NETWORK CAMERA**

- 1 1818759 CAMERA SYSTEM, SRNIII PANASONIC NETWORK
- 2 1818761 NAVIGATOR, SRNIII NETWORK INTRFACE HUB 6 PORT
- 3 1717517 PLUG KIT, DEUTSCH F/C 10-12AWG SCKT
- 1408376 PLUG KIT, DEUTSCH DTP06-2S PLUG W/SOCKET
- 1408400 PLUG KIT, DEUTSCH SEC LOCK SCKT 2-POS
- 4 1838669 HARNESS, SRNIII LAN CBL 30' RV1
- 1818716 HARNESS, SRNIII LAN CBL 60'

**NORTHSTAR 6000I 4KW OPEN ARRAY RADAR**



**NORTHSTAR 6000I 4KW OPEN ARRAY RADAR**

- 1 1770988 RADAR, NRTHSTR 6000I 3.5' ARRAY  
(PART OF 1770978)
- 2 1770987 RADAR, NRTHSTR 6000I PEDESTAL W/1' PIGTAIL  
(PART OF 1770978)
- 3 1770985 HARNESS, RADAR CBL EXT 15' NRTHSTR 6000I
- 4 1770981 HARNESS, RADAR CBL 20' NRTHSTR 6000I
- 5 1770979 HARNESS, RADAR PWR CBL 6' NRTHSTR 6000I  
(PART OF 1770978)
- 6 1770986 BOX, JUNCTION NRTHSTR 6000I RADAR  
(PART OF 1770978)
- 7 1795142 HARNESS, RADAR/NRTHSTR 6000I INTFACE CBL  
(PART OF 1770978)
- 8 1741427 PLUG KIT, DEUTSCH S/F 20AWG SCKT
- 9 265983 FUSE, BLADE TYPE ATO 10A

**HARNESSES**

- 1772612 HARNESS, RADAR PIGTAIL 1' NRTHSTR
- 1770975 HARNESS, GPS CBL EXT 15' NRTHSTR 6000I
- 1795162 HARNESS, PIGTAIL 5'SRN II XDUCR TO 6000I
- 1770974 HARNESS, GPS CBL 20' NRTHSTR 6000I
- 1757379 HARNESS, TRNSDCR DEPTH/TEMP 30' NRTHSTR 6000I

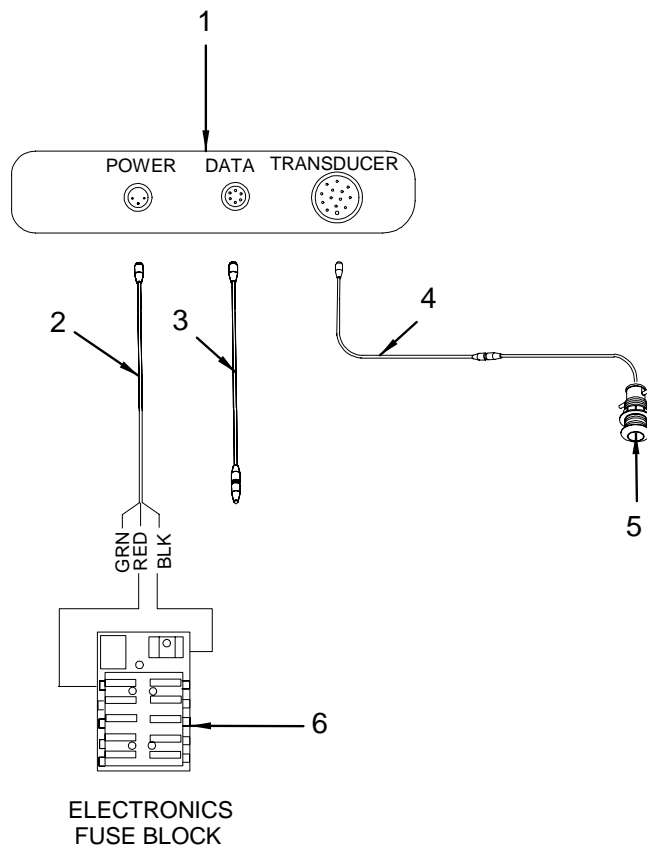
**LABELS**

- 1746045 LABEL, DANGER NO LOOKING DIRECTLY INTO RADOME

**NOT SHOWN**

- 1770978 RADAR, NRTHSTR 6000I 4KW CMLPT PKG  
(SEE REF# 1,2,5,6, 7 FOR PARTS OF PART)
- 1831114 PEDESTAL, RADAR ALUM 24.5"WHT NRTHSTR/SRN
- 1013606 BUSS BAR, SGL POST 3/8-16
- 1757382 NAVIGATOR, SRNII TRANSDUCR DEPTH/TEMP W/P NY

**NORTHSTAR 6000I 491 FISHFINDER**

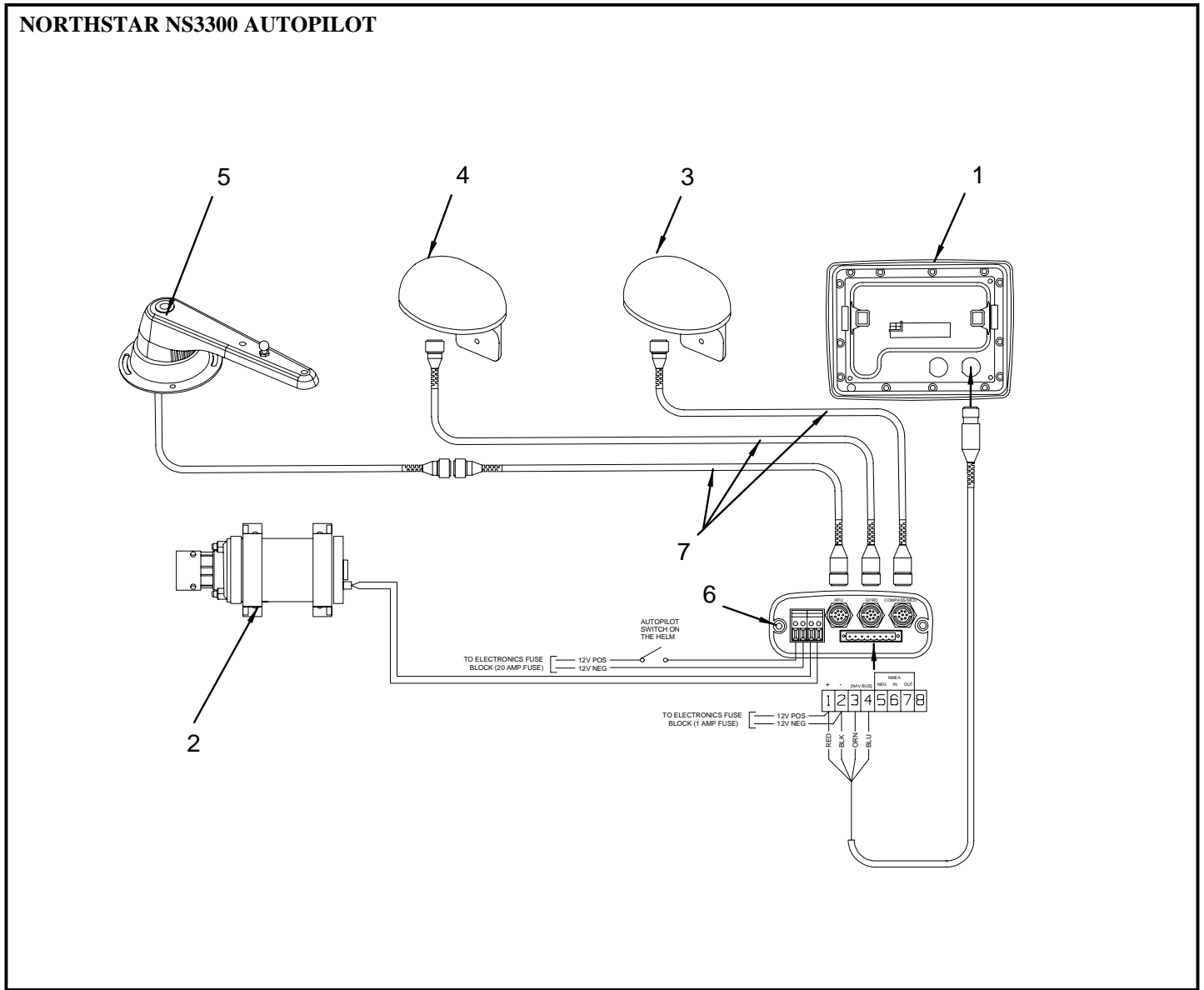


**NORTHSTAR 6000I 491 FISHFINDER**

- 1 1795128 DEPTH FINDER, NRTHSTR 491FF MODULE
- 2 1795144 HARNESS, NRTHSTR 491FF PWR CBL 6FT0I  
(PART OF 1795128)
- 3 1795145 HARNESS, NRTHSTR 491FF TO 6000I CBL 10FT  
(PART OF 1795128)
- 4 1795136 HARNESS, NRTHSTR 491FF TRANS DEP/TEMP 30'
- 5 1795135 TRANSDUCER, NRTHSTR 491FF DEP/TEMP W/6'PGTAIL
- 6 265983 FUSE, BLADE TYPE ATO 10A

**NOT SHOWN**

- 1690371 ACC PART, MERC S-CRFT TRNS W/19' NYL DEP/TEMP



**NORTHSTAR NS3300 AUTOPILOT**

- 1 1807919 AUTO PILOT, NRTHSTR NS3300 DISPLAY ONLY
- 2 1807922 AUTO PILOT, NRTHSTR TYPE I PUMP UNIT
- 3 1807923 AUTO PILOT, NRTHSTR FLUXGATE COMPASS ONLY (PART OF 1807927)
- 4 1807924 AUTO PILOT, NRTHSTR RATE GYRO (PART OF 1807927)
- 5 1807925 AUTO PILOT, NRTHSTR RUDDER REFERENCE UNIT (PART OF 1807927)
- 6 1807926 AUTO PILOT, NRTHSTR CNTRL UNIT MCU600 (PART OF 1807927)
- 7 1808610 HARNESS, AUTOPILOT NRTHSTR 15M EXT

**BRACKETS**

- 1817596 BRACKET, SS RDR INDCATR RAYMAR/BNT/SCRFT ANGL

**HARNESSES**

- 1808611 HARNESS, AUTOPILOT NRTHSTR 20M EXT
- 1610427 HARNESS, MERC S-CRFT STEERING SNSR ASSY

**HOSE**

- 1762408 STEERING HOSE, 5/16" X 2"W/FITTINGS (SEASTAR)
- 1762407 STEERING HOSE, 5/16" X 3"W/FITTINGS (SEASTAR)
- 1765807 STEERING HOSE, 5/16" X 4"W/FITTINGS (SEASTAR)

**LABELS**

- 1747504 LABEL, COMPASS AREA KEEP AWAY MTL OBJECTS

**NOT SHOWN**

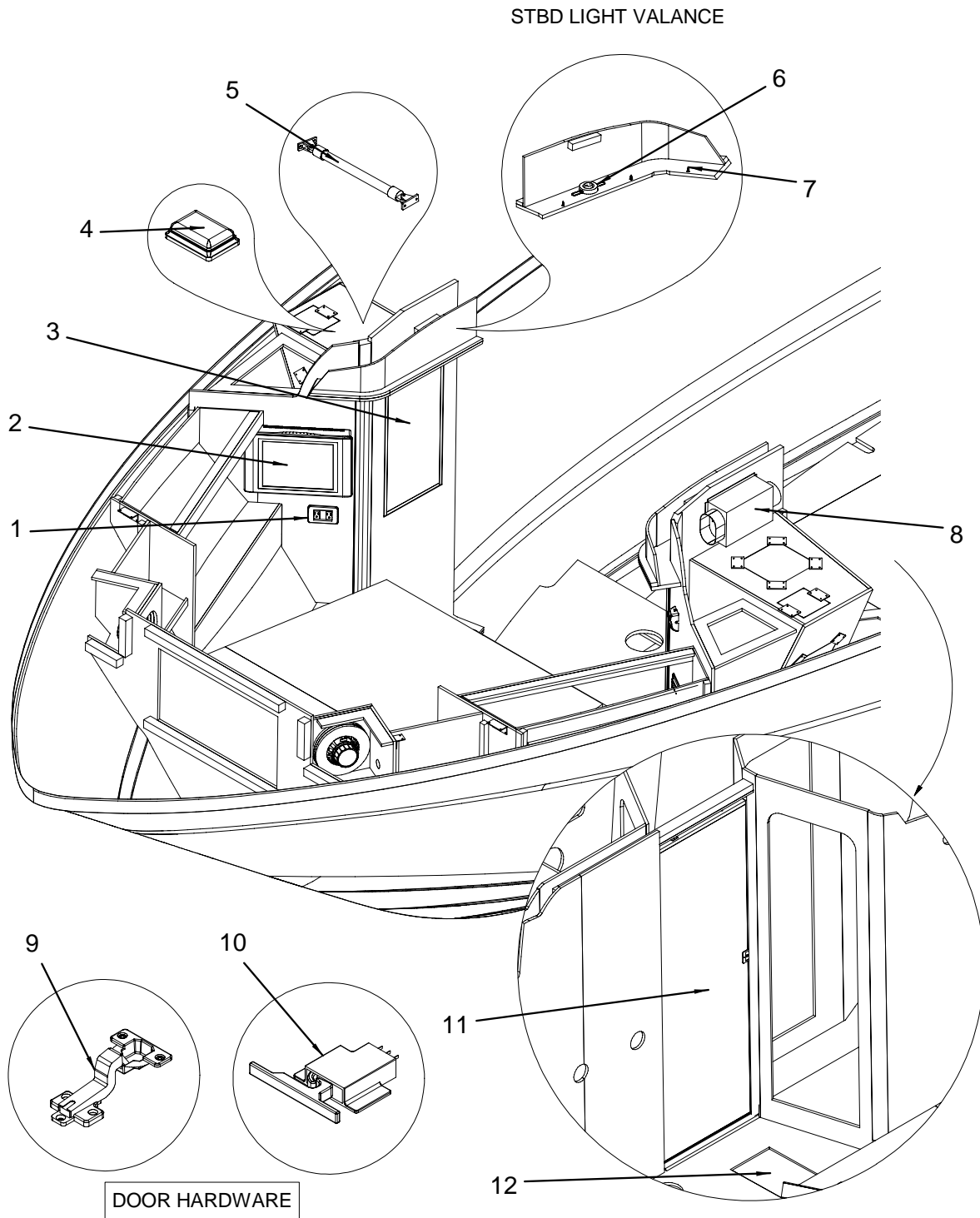
- 1807927 AUTO PILOT, NRTHSTR CORE PACK KIT (OPTIMAX) (SEE REF# 3-6 FOR PARTS OF PART)
- 168849 NIPPLE, BRASS 1/4"MPT X 1.5"HEX
- 795583 BUSS BAR, SGL POST 5/16"
- 577312 TEE, BRASS 3/8"COMP X 1/4"MPT X 3/8"COMP
- 1806501 PIN, RDR INDCATR NRTHSTR
- 1808028 AUTOPILOT, INDCATR ARM NRTHSTR W/SCRFT

**SPLIT CONDUIT**

- 1501832 HOSE, CONDUIT/SPLIT 3/8" FLAME RETARDANT



FORWARD STATEROOM (STARBOARD VIEW)



## FORWARD STATEROOM (STARBOARD VIEW)

1	627737	BOX, RECEPTACLE/SWITCH PVC 1-GANG DEEP
	1818834	COVER PLATE, IDEA-SERIES 3-GANG NKL SQR CRNR
	893222	RECEPTACLE, IDEA-SERIES SGL GRY
	893289	FRAME, IDEA-SERIES 3-GANG SUPPORT FRAME GREY
2	1839537	TELEVISION, 20" SHARP AQUOS LCD LC20S5US
	1839535	TELEVISION, 15" SHARP LCD LC15S5US (HULL# 523 -> UP)
	1877910	REMOTE, TV 15"/20" SHARP AQUOS LCD (PART OF 1839535 & 1839537)
	1890626	TELEVISION, 15" TOSHIBA PAL 15VL63G (HULL# 580 -> UP)
	1815899	TELEVISION, 15" TOSHIBA PAL LCD (HULL# 501 -> 579)
	1835480	REMOTE, TV TOSHIBA PAL LCD (PART OF 1815899)
	1761365	DVD, CYBERHOME CH-DVD 300 PAL TUNER 120/240V
	1804866	REMOTE, CYBERHOME DVD/VCR COMBO (PART OF 1761365)
	1787507	RECEPTACLE, DUPLEX BRN 15A LVT
	1787508	COVER PLATE, SGL DUPLEX RECEPT BRN LVT
	180463	BOX, RECEPTACLE HANDY DUPLEX METAL
	192492	CONN, ROMEX PLAS 1/2"
3	1878056	36DB 07, DOOR, STB H/L FWDSTRM
	1746444	BUMPER, CLEAR ACRY ADHESIVE
	1437219	PULL, DOOR FLUSH MIRROR CHR
4	1771064	LIGHT, SGL DOME FLSH MNT PLS WHT N/SW W/CONN BULB, DOME LIGHT 12V (PART OF 1771064)
5	1690556	BAR, HANGING ROD (CLOTHES) ALUM 17" (HULL# 511 -> UP)
	1195320	BAR, HANGING ROD (CLOTHES) ALUM 15" (HULL# 511 -> UP)
	1816314	BAR, HANGING ROD (CLOTHES) SS 12.75" (HULL# 501 -> 510)
6	1819814	LIGHT, WHT LED STORM/L SAT/NCKL 12VDC W/CONN (LED NOT REPLACEABLE)
7	188391	CLIP, XMAS TREE
8	1817367	A/C COMP, PLENUM GRILL W/5R 3L DIV 80/20
9	525667	HINGE, CONCEALED FULL OVERLAY MT PLATE ONLY
	839399	HINGE, SELF CLOSING BLUM SCREW-ON
	1746444	BUMPER, CLEAR ACRY ADHESIVE
10	1281054	CATCH, GRABBER LATCH W/10LB HOLD W/ELEC SW
11	1878365	36DB 07, DOOR, SLIDING PKT FWDSTRM BLSM CHRY (POCKET DOOR)
	1878366	36DB 07, DOOR, SLIDING PKT FWDSTRM WILD CHRY (POCKET DOOR)
	1727644	TRACK, SLIDER DOOR LWR 72" (POCKET DOOR)
	633727	TRACK, ALUM POCKET DOOR (GLIDE MASTER) (POCKET DOOR)
	1781764	MIRROR, VBRTH POCKET DOOR (POCKET DOOR)
	633768	ROLLER, POCKET DOOR HANGER (GLIDE MASTER) (POCKET DOOR)
	633776	ROLLER, HANGER TOP MOUNT BRKT (GLIDE MASTER) (POCKET DOOR)
	641597	GUIDE, TOP PIVOT ROLLER (POCKET DOOR)
	1755050	LOCK, ASSY SLIDING DOOR BRUSHED CHR (POCKET DOOR)
12	1878057	36DB 07, HATCH, FLR FWDSTRM (FLOOR HATCHES)
	174599	LIFT HANDLE, HATCH LIFT BOLT 1/4" X 4" SHANK (FLOOR HATCHES)

## INTERIOR CARPET

1835667	CARPET, INT 44 OZ TOAST 6'W 100% BCF NYLON
1467182	CARPET, INT 44 OZ WHEATON 6'W 100% BCF NYLON (WHEATON CARPET COLOR - OPTIONAL)

## LABELS

1771209	LABEL, DOOR SECURED UNDERWAY
1450915	LABEL, 7/16" X 7/8" CABIN STEREO
1764402	LABEL, 7/16" X 7/8" CKPT STEREO CHG ADH/SUBSTR
1746899	LABEL, DANGER CARBON MONOXIDE (LEXAN)
1812911	LABEL, DANGER CO CABIN 06
271643	LABEL, HEAD INSTRUCTIONS

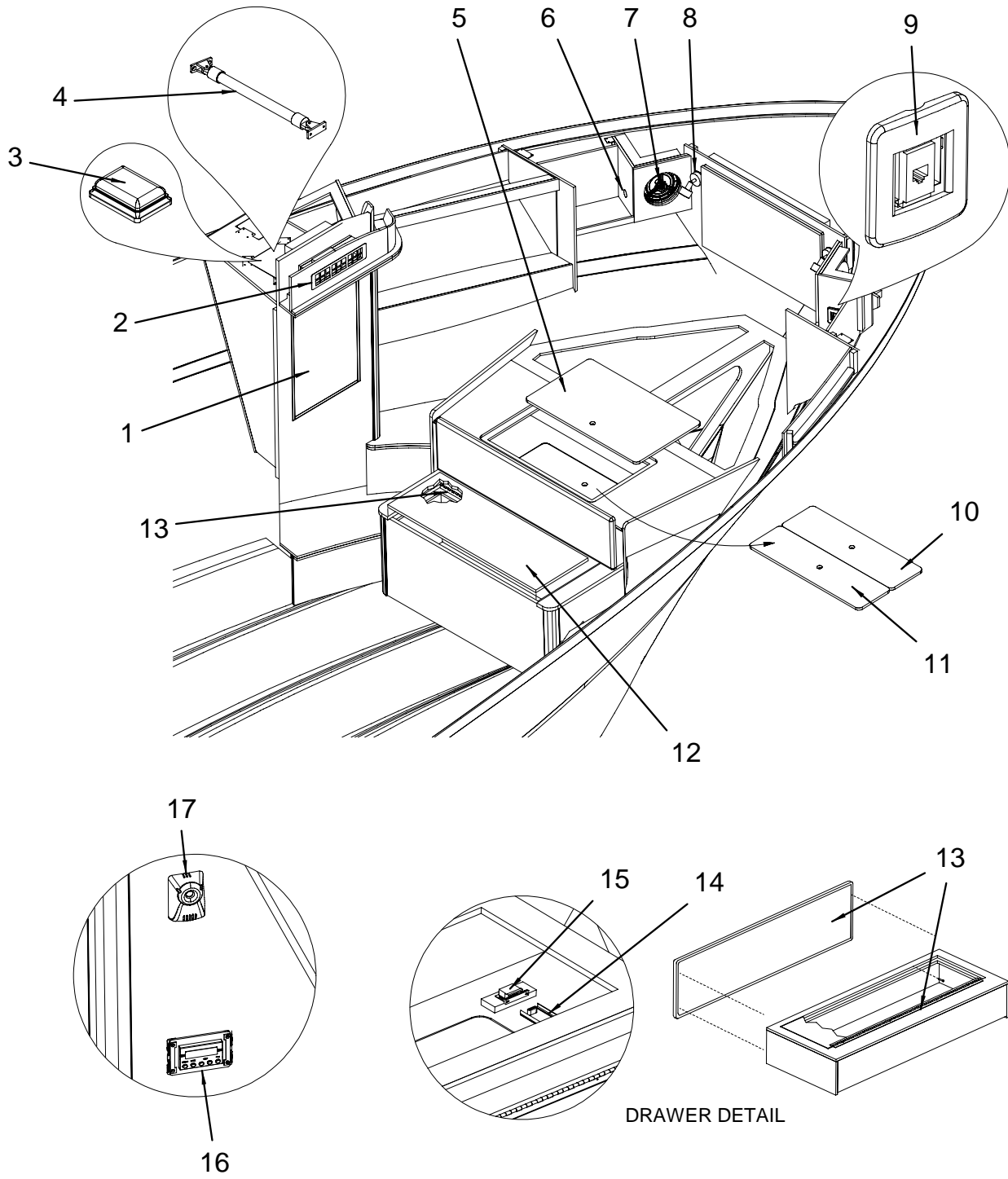
## NOT SHOWN

1740273	CARD, QUICK REFERENCE SHRPWR SPYACHT/02 RV1
1816874	MODULE, EDS 36DB-06 STB STRM SW
1759845	A/C COMP, COMPACT 10K SXF10-1 115V 50/60HZ
1746047	HOLDER, MAGNETIC SHORT

## NOT SHOWN (continued)

1507342	ACC PART, MERC S-CRFT WTHR CAP 10POS CAP
1013606	BUSS BAR, SGL POST 3/8-16
1880735	SLIDE, HDPE 36DB-07 VBRTH BUNK DRAWER
168591	COUPLING, PVC 1.5" FM SLIP
184101	ADAPTER, PVC 1.5" OD X 1.5" ID SLIP

FORWARD STATEROOM (PORT VIEW)



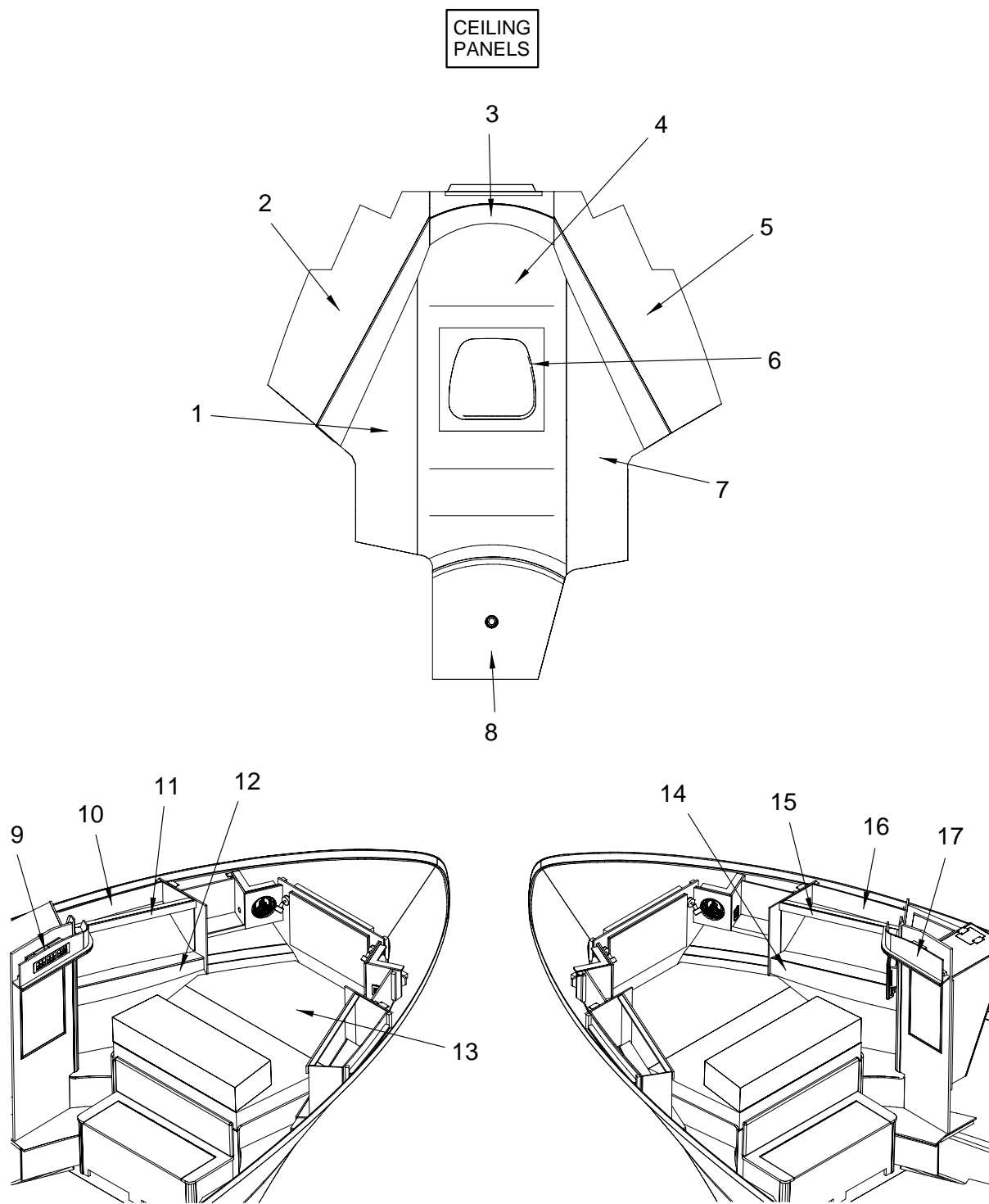
## FORWARD STATEROOM (PORT VIEW)

1	1878051	36DB 07, DOOR, H/L PRT FWDSTRM
2	1814967	VENT, SS A/C 3 3/8" X 14 1/16" BRUSHED
3	1771064	LIGHT, SGL DOME FLSH MNT PLS WHT N/SW W/CONN
	604801	BULB, DOME LIGHT 12V (PART OF 1771064)
4	1195320	BAR, HANGING ROD (CLOTHES) ALUM 15" (HULL# 511 -> UP)
	1816315	BAR, HANGING ROD (CLOTHES) SS 15.75" (HULL# 501 -> 510)
5	1878052	36DB 07, HATCH, FWDSTRM BUNK UPR
	1742137	PULL, ROSETTE SAT/NCKL OVAL 19MM
6	1814362	MODULE, EDS 4CH-5A
7	1690557	SPEAKER, COAXIAL 6.5" N/CVR
	931501	FABRIC, SPKR CLOTH CREPE SAND #17027 1/8" FB (SPEAKER COVER MATERIAL)
8	1819813	LIGHT, SAMPEI HLG N W/SW 12V/10W SATNCKL W/CON
	1448463	BULB, XENON 12V/10W (PART OF 1819813)
	1426774	BULB, XENON 24V/10W (PART OF 1819813)
9	893255	INLET, IDEA-SERIES PHONE GRY
	1818839	COVER PLATE, IDEA-SERIES 1-GANG NKL SQR CRNR
	952010	FRAME, IDEA-SERIES 1-GANG SUPPORT W/RIBS
10	1878053	36DB 07, HATCH, FWDSTRM BUNK LWR FWD
	1742137	PULL, ROSETTE SAT/NCKL OVAL 19MM
11	1878054	36DB 07, HATCH, FWD STRM BUNK LWR AFT
12	1878055	36DB 07, HATCH, FWDSTRM BUNK CHEST
13	1875996	36DB 07, DRWRFC, GLY BANK (1) CHERRY
	1815450	HINGE, AL CONT 1.5" X 38.25" BLK
	1742137	PULL, ROSETTE SAT/NCKL OVAL 19MM
14	1547256	SLIDE ASSY, DRAWER SLIDE 16" ACCURIDE
15	390849	CATCH, GRABBER LATCH W/10LB HOLD BLK PLAS
16	1805241	A/C COMP, CONTROLLER SMXHT DISPLAY DX-GREY
17	1816919	MONITOR, CO DETECTOR WHT CMD-4-RLY
	1816920	PLATE, CO MONITOR BCKNG WHT CMD-4M-RLY-FCB (HULL# 571 -> UP)
	1816921	PLATE, CO MONITOR BCKNG CMD-4M-RLY-FCB W/CONN (HULL# 501 -> 570)

## NOT SHOWN

1604230	A/C COMP, GRILL 3" WHT W/DBL LVR
1820012	MODULE, EDS 36DB-06 FWD STRM/SLN SW
1816869	BEZEL, EDS TPS/TPD BRSHD NCKL

FORWARD STATEROOM (UPHOLSTERY)



**FORWARD STATEROOM (UPHOLSTERY)**

1	1878058	36DB 07,PANEL,CEILING STB
2	1878059	36DB 07,VAL,CEILING STB
3	1878065	36DB 07,VAL,CEILING FWD
4	1878064	36DB 07,PNL,CEILING FWD
5	1878063	36DB 07,VAL,CEILING PRT
6	1878062	36DB 07,MUFF,SKYSCREEN
7	1878061	36DB 07,PNL,CEILING PRT
8	1878060	36DB 07,PNL,CEILING AFT
9	1878066	36DB 07,VAL,LIGHT PRT
10	1878067	36DB 07,MUFF,SIDE SHELF PRT
11	1878068	36DB 07,MUFF,GUNWALE PRT
12	1878073	36DB 07,MUFF,DRAPE PRT
13	1799867	MATTRESS, 36DB-06 INRSRPG VBRTH HNGD W/STRAP
14	1878069	36DB 07,MUFF,SHELF STB
15	1878070	36DB 07,MUFF,DRAPE STB
16	1878071	36DB 07,MUFF,GUNWALE STB
17	1878072	36DB 07,VAL,LIGHT STB

**CURTAINS**

1819341	CURTAIN, 36DB-07 PKGA-FISHNET (INTERIOR A)
1836908	CURTAIN, 36DB-07 PKGB-MESA/MUSLIN (INTERIOR B)
1836909	CURTAIN, 36DB-07 PKGC-GLAMOUR/HONEY (INTERIOR C)
1836910	CURTAIN, 36DB-07 PKGD-CANTONESE BAMBOO CAMEL (INTERIOR D)
1819337	CURTAIN, 36DB-06 PKGE-MOREHD/PRL (INTERIOR E)
737239	TRACK, ALUM CURT TRK 8' I BEAM TYPE

**FOAM**

1819384	FOAM, P/C 36DB-07 MID STRM KIT
1849207	FOAM, P-55 1/2"X 60" QUICK QUILT/AUTOCLOTH

**HEAD LINER**

1793493	VINYL, ALLANTE II WHITE SAND EXP 1/4" F/B DOW (INTERIOR A, E)
1091743	VINYL, ALLANTE II CHAMPAGNE EXP 1/4" F/B DOW (INTERIOR B, C, D)

**HEADBOARD / ACCENT / BUNK BOLSTER VINYL**

1808976	FABRIC, RAFFIA RATTAN/LT BROWN (INTERIOR A)
1767435	VINYL, ULTRALTHR WALNUT 3777 (INTERIOR B)
1764814	VINYL, ULTRALTHR DISTRESSED LASSO FLAT (INTERIOR C, D)(BUNK BOLSTER)
1142165	VINYL, ALLANTE II WHT SAND EXP FLAT (INTERIOR E)

**HULL / SHELF BOLSTERS**

1142165	VINYL, ALLANTE II WHT SAND EXP FLAT (INTERIOR A, E)
1079797	VINYL, ALLANTE II CHAMPAGNE EXP FLAT (INTERIOR B, C, D)

**INSULATIONS**

1814757	INSULATION, P/C 36DB-06 FWD STRM BUNK KIT
---------	---

**INTERIOR CARPET**

1835667	CARPET, INT 44 OZ TOAST 6'W 100% BCF NYLON
1467182	CARPET, INT 44 OZ WHEATON 6'W 100% BCF NYLON (WHEATON CARPET COLOR - OPTIONAL)

**MATTRESS**

1799867	MATTRESS, 36DB-06 INRSRPG VBRTH HNGD W/STRAP
---------	--

**MISCELLANEOUS UPHOLSTERY**

188391	CLIP, XMAS TREE
--------	-----------------

**PILLOW PACKAGES**

103721	PILLOW, BED 20"X 26" POLYFIBER
1831492	PILLOW PKG, 2007 SPYACHT PKGA MSTRM (2) (INTERIOR A)
1831448	PILLOW PKG, 2007 SPYACHT PKGB MSTRM (2) (INTERIOR B)
1831453	PILLOW PKG, 2007 SPYACHT PKGC MSTRM (2) (INTERIOR C)
1831493	PILLOW PKG, 2007 SPYACHT PKGD MSTRM (2) (INTERIOR D)

**PILLOW PACKAGES (continued)**

1805959	PILLOW PKG, 2006 SPYACHT PKGE MSTRM (2) (INTERIOR E)
1805782	PILLOW PKG, 2006 YACHT INT5 MSTRM (2) (NEUTRAL PILLOW PACKAGE)

**QUILT KIT**

1836230	QUILT SET, 36DB-07 PKGA-TROPICAL LEAVES FWD (INTERIOR A)
1836614	QUILT SET, 36DB-07 PKGB-MESA MUSLIN FWDSTRM (INTERIOR B)
1836616	QUILT SET, 36DB-07 PKGC-GLAMOUR/HNY FWDSTRM (INTERIOR C)
1836618	QUILT SET, 36DB-07 PKGD-CANTONESE CML FWDSTRM (INTERIOR D)
1819338	QUILT SET, 36DB-06 PKGE-MOREHD/PRL FWDSTRM (INTERIOR E)

**SHEETS**

1830987	SHEET, 36DB-06 FWDSTRM FITTED W/PCKT
---------	--------------------------------------

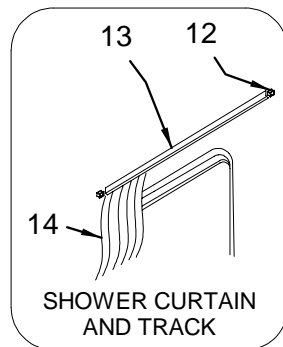
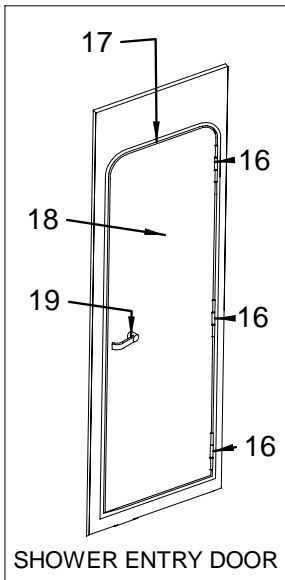
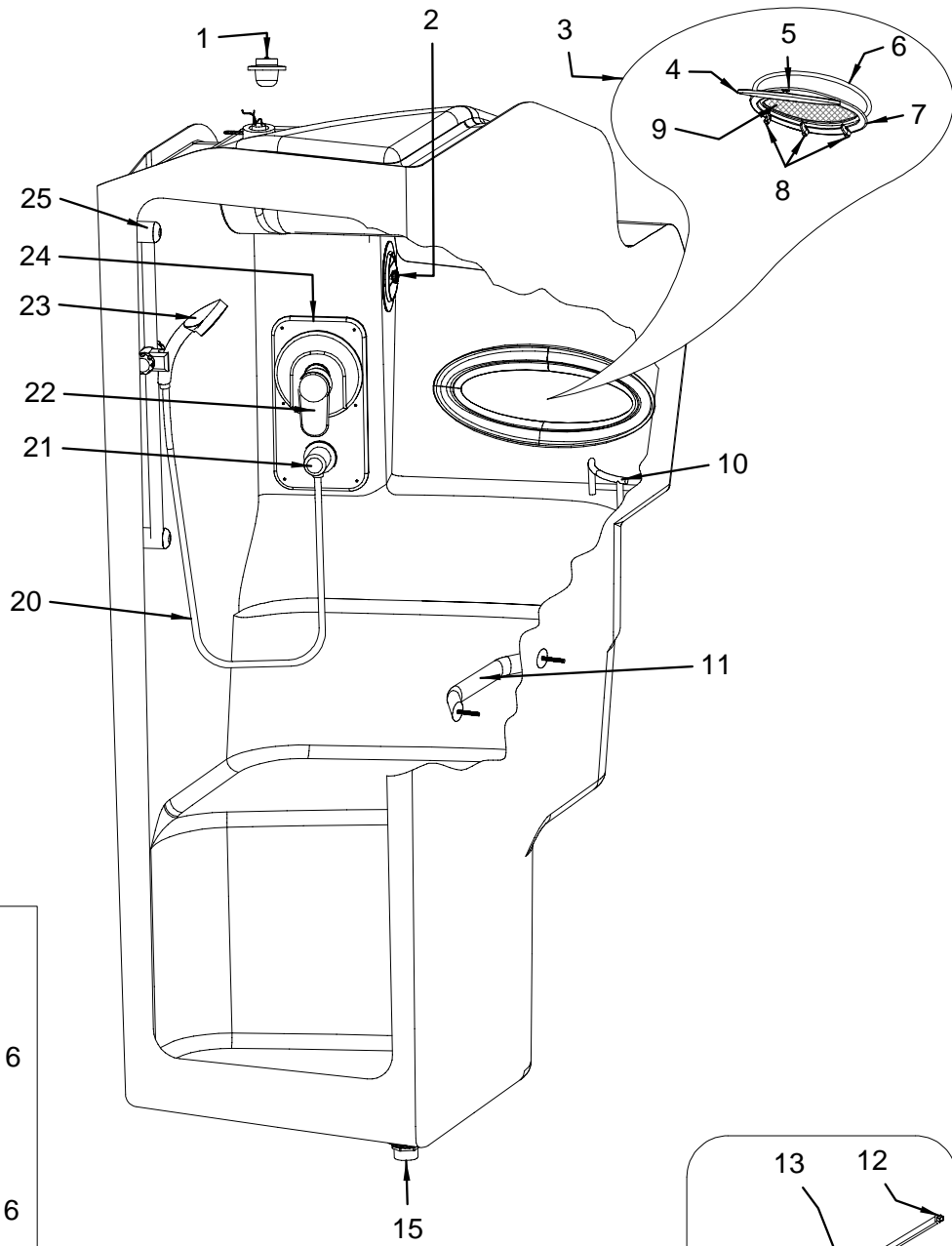
**SPEAKER COVER MATERIAL**

931501	FABRIC, SPKR CLOTH CREPE SAND #17027 1/8"FB (INTERIOR A, E)
1090430	FABRIC, SPKR CLOTH CREPE BUFF #18994 1/8"FB (INTERIOR B, C, D)

**STORAGE & BUNK TOPS**

1128487	FABRIC, GEOMETRIC STRAW (NDLPNCH) W/BACK
---------	--

FORWARD SHOWER



**FORWARD SHOWER**

- 1 1815242 LIGHT, JENY SAT/NCKL W/BASE  
(HULL# 519 -> UP)
- 1831543 LIGHT, TWIST-OFF BEZEL GLASS 10W W/CONN  
(HULL# 501 -> 518)
- 1448463 BULB, XENON 12V/10W
- 2 1604230 A/C COMP, GRILL 3" WHT W/DBL LVR
- 3 1454008 PORTLIGHT, OPENING ALL SS 3/8"-7/8" FROS REV1  
1314459 PORTLIGHT, GASKET SATURATED FOAM  
(PART OF 1454008)
- 4 1331727 PORTLIGHT, LENS ONLY FROSTED (BOMAR)  
(PART OF 1454008)
- 5 866434 KNOB, PORTLIGHT KNOB ONLY (BOMAR)  
(PART OF 1454008)
- 6 1513183 TRIM RING, PORTLIGHT 3/8" SS  
(PART OF 1454008)
- 7 1331735 PORTLIGHT, GASKET ONLY (BOMAR)  
(PART OF 1454008)
- 8 1107044 PORTLIGHT, HANDLES QUICKDOGS (BOMAR)  
(PART OF 1454008)
- 9 1331313 PORTLIGHT, SCREEN 3/8"X 7/8"  
(PART OF 1454008)
- 10 1814774 RAIL, GRAB 1/2"OD X6 3/8"W/5 1/8"RAD 304SS
- 11 1747819 RAIL, GRAB 18" OVAL W/STUD 316L
- 12 221325 UPH PARTS, END STOP W/SCREW
- 13 132183 TRACK, ALUM CURT TRK 0.275"X 0.688" TAB TYPE
- 14 1817550 CURTAIN, SHOWER BEIGE 36DB-06 STBHD
- 15 196782 DRAIN ASSY, SHOWER 1.5"  
344762 DRAIN ASSY, SHOWER SLIP NUT 1.5"  
(PART OF 196733)
- 196733 WASHER, RBR GASKET FLAT 1.5"
- 16 1111640 HINGE, SS NON-MORTICE TYPE-2 DOOR
- 17 823070 OAK, DOOR FRAME PART-A RIGHT  
823088 OAK, DOOR FRAME PART-A LEFT  
823096 OAK, DOOR FRAME PART-B RIGHT  
823104 OAK, DOOR FRAME PART-B LEFT
- 18 1875976 36DB 07, DOOR, FWD SHWR BLSM CHRY  
1875977 36DB 07, DOOR, FWD SHWR MAPLE
- 19 1751064 LATCH, NOVA RH-OUT PRVKNB SAT/CHR HIDSCR
- 20 916221 SHOWER, HOSE ASSY ONLY RELEXAFLEX CHR
- 21 900373 SHOWER, UNION FIXTURE CHR
- 22 1505098 FAUCET, PRESS BAL VALVE TRM EUROPLUSII CHR  
(HULL# 552 -> UP)  
1429588 FAUCET, PRESS BAL VALV TRM EUROPLUSII CHR/BR  
(HULL# 501 -> 551)
- 23 1848877 SHOWER, HAND HELD ANGLED TEMPESTA
- 24 1609676 PLATE, PLEX 360DA-02 SHOWER MIXER
- 25 916213 SHOWER BAR, SLIDE BAR 24" CHR (GROHE)

**LABELS**

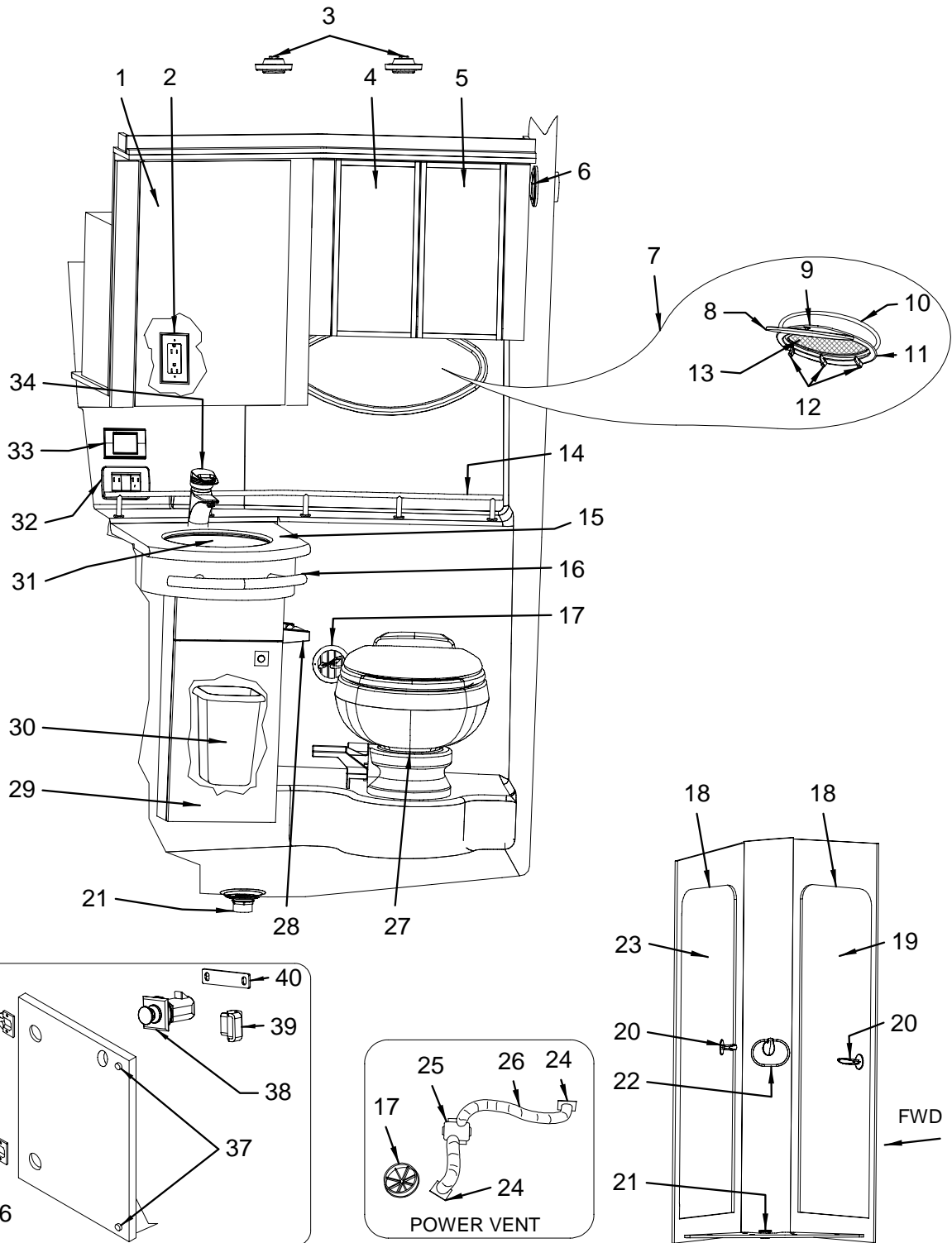
- 1747493 LABEL, LEAVING WINDOW OPEN EXHAUST FUMES

**NOT SHOWN**

- 1452820 HOOK, CLOTHES HOOK SURFACE MT
- 1818850 A/C COMP, PLENUM W/41 4T 3L



PORT HEAD



## PORT HEAD

- 1 1875978 36DB 07, DOOR, STB VAN FWDHD  
1815715 MIRROR, 1/8" X 15 3/8" X 24 3/8" CLR P/E ALL
- 2 1881816 RECEPTACLE, GFCI DPLX WHT W/IND/SMRTLCK 15A  
627737 BOX, RECEPTACLE/SWITCH PVC 1-GANG DEEP
- 3 1819777 LIGHT, DAVID-EYEBALL SAT/NCKL RNG/FRST W/CONN  
1448463 BULB, XENON 12V/10W  
(PART OF 1819777)
- 4 1875980 36DB 07, DOOR, STRG AFT PRTHD BLSM CHRY  
1875979 36DB 07, DOOR, STRG AFT PRTHD WILD CHRY
- 5 1875982 36DB 07, DOOR, STRG FWD PRTHD BLSM CHRY  
1875981 36DB 07, DOOR, STRG FWD PRTHD WILD CHRY
- 6 1322940 A/C COMP, GRILL 3" BLK W/DBL LVR
- 7 1454008 PORTLIGHT, OPENING ALL SS 3/8"-7/8" FROS REV1  
(ALL SO SEE REF# 8-13 FOR PARTS OF PART)  
1314459 PORTLIGHT, GASKET SATURATED FOAM  
(PART OF 1454008)  
1057991 TRIM RING, V/F PORTLIGHT INNER CUSTOM 98
- 8 1331727 PORTLIGHT, LENS ONLY FROSTED (BOMAR)  
(PART OF 1454008)
- 9 866434 KNOB, PORTLIGHT KNOB ONLY (BOMAR)  
(PART OF 1454008)
- 10 1513183 TRIM RING, PORTLIGHT 3/8" SS  
(PART OF 1454008)
- 11 1331735 PORTLIGHT, GASKET ONLY (BOMAR)  
(PART OF 1454008)
- 12 1107044 PORTLIGHT, HANDLES QUICKDOGS (BOMAR)  
(PART OF 1454008)
- 13 1331313 PORTLIGHT, SCREEN 3/8" X 7/8"  
(PART OF 1454008)
- 14 1814345 RAIL, GRAB 1/2" OD X39.75" W/168DEG BND 304SS
- 15 1803448 TOP, KARADON 36DB-06 HEAD CNDL GLW  
1815897 TOP, KARADON 36DB-06 HEAD LUM GLD  
(LUMINOUS GOLD - GALLEY / HEAD COUNTER TOPS)
- 16 1761037 RAIL, GRAB 15" OVAL LOW PRFL 316L
- 17 137356 VENT, POWER VENT 3" BLK
- 18 823070 OAK, DOOR FRAME PART-A RIGHT  
823088 OAK, DOOR FRAME PART-A LEFT  
823096 OAK, DOOR FRAME PART-B RIGHT  
823104 OAK, DOOR FRAME PART-B LEFT
- 19 1875984 36DB 07, DOOR, FWD PRTHD BLSM CHRY  
1875985 36DB 07, DOOR, FWD PRTHD WILD CHRY
- 20 1751065 LATCH, NOVA LH-OUT PRVKNB SAT/CHR HIDSCR
- 21 196782 DRAIN ASSY, SHOWER 1.5"  
344762 DRAIN ASSY, SHOWER SLIP NUT 1.5"  
(PART OF 196782)  
196733 WASHER, RBR GASKET FLAT 1.5"
- 22 1743969 HOLDER, TOWEL RING PLAT/CHR VILLETA SERIES
- 23 1875986 36DB 07, DOOR, FWD PRTHD BLSM CHRY  
1875987 36DB 07, DOOR, FWD PRTHD WILD CHRY
- 24 172783 ADAPTER, HOSE FLANGE 3"
- 25 1819766 BLOWER, BILGE 3" FACE MNT #5412 W/CONN
- 26 1576313 HOSE, P/C VENT/BLOWER 3" X 126"
- 27 1846853 HEAD, VACU-FLUSH BONE 5006 BTM DCHG LOW PRFLE  
(HULL# 534 -> UP)  
1872707 HEAD, SEAT ASSY VAC-FLUSH BONE 5048 BACK DIS  
(HULL# 534 -> UP)  
1744868 HEAD, VACU-FLUSH BONE 1006 BTM DIS WOOD  
(HULL# 501 -> 533)  
1784547 SEAT ASSY, CVR/SEAT/HNG PIN BONE  
(HULL# 501 -> 533)(PART OF 1744868)
- 28 146399 HOLDER, TOILET PAPER WALL MNT CHR ROLLER
- 29 1875989 36DB 07, DOOR, LWR STRG PRTHD BLSM CHRY  
1875988 36DB 07, DOOR, LWR STRG PRTHD WILD CHRY
- 30 431098 BASKET, TRASH 11 3/8" X 8.25" X 12 1/8" BEIGE
- 31 1756755 SINK, SS GLY/HD SATIN 12 7/8" W/2" DRAIN
- 32 1881818 RECEPTACLE, GFCI DPLX GRY W/IND/SMRTLCK 15A  
893222 RECEPTACLE, IDEA-SERIES SGL GRY  
893263 SWITCH, BLANK IDEA-SERIES GREY  
893289 FRAME, IDEA-SERIES 3-GANG SUPPORT FRAME GREY
- 33 1816876 MODULE, EDS 36DB-06 HEAD
- 34 1740969 FAUCET, LAV TALIA CTRSET SAT/NKL W/DRAIN
- 35 525667 HINGE, CONCEALED FULL OVERLAY MT PLATE ONLY
- 36 839399 HINGE, SELF CLOSING BLUM SCREW-ON
- 37 175372 BUMPER, CLEAR SMALL 0.312" ROUND X 0.085" HIGH
- 38 1819242 PULL, PUSH-BUTTON KNOB W/SQR ROSETTE SAT/SAT
- 39 1819273 CATCH, STRIKE PLATE STRAIGHT BLK
- 40 1819273 CATCH, STRIKE PLATE STRAIGHT BLK

## BRACKETS

- 512426 BRACKET, ALUM 1" X 1" X 3"

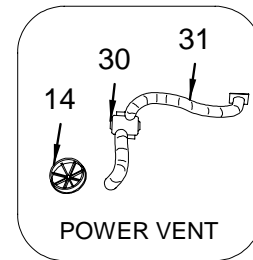
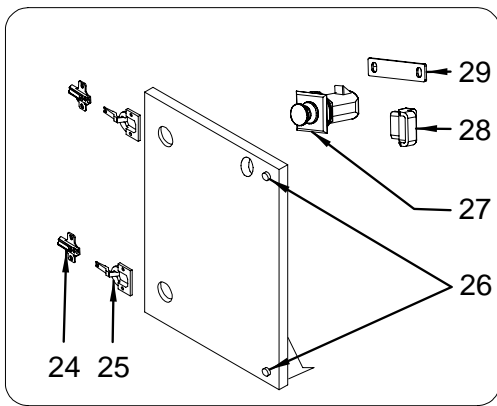
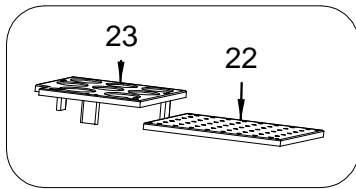
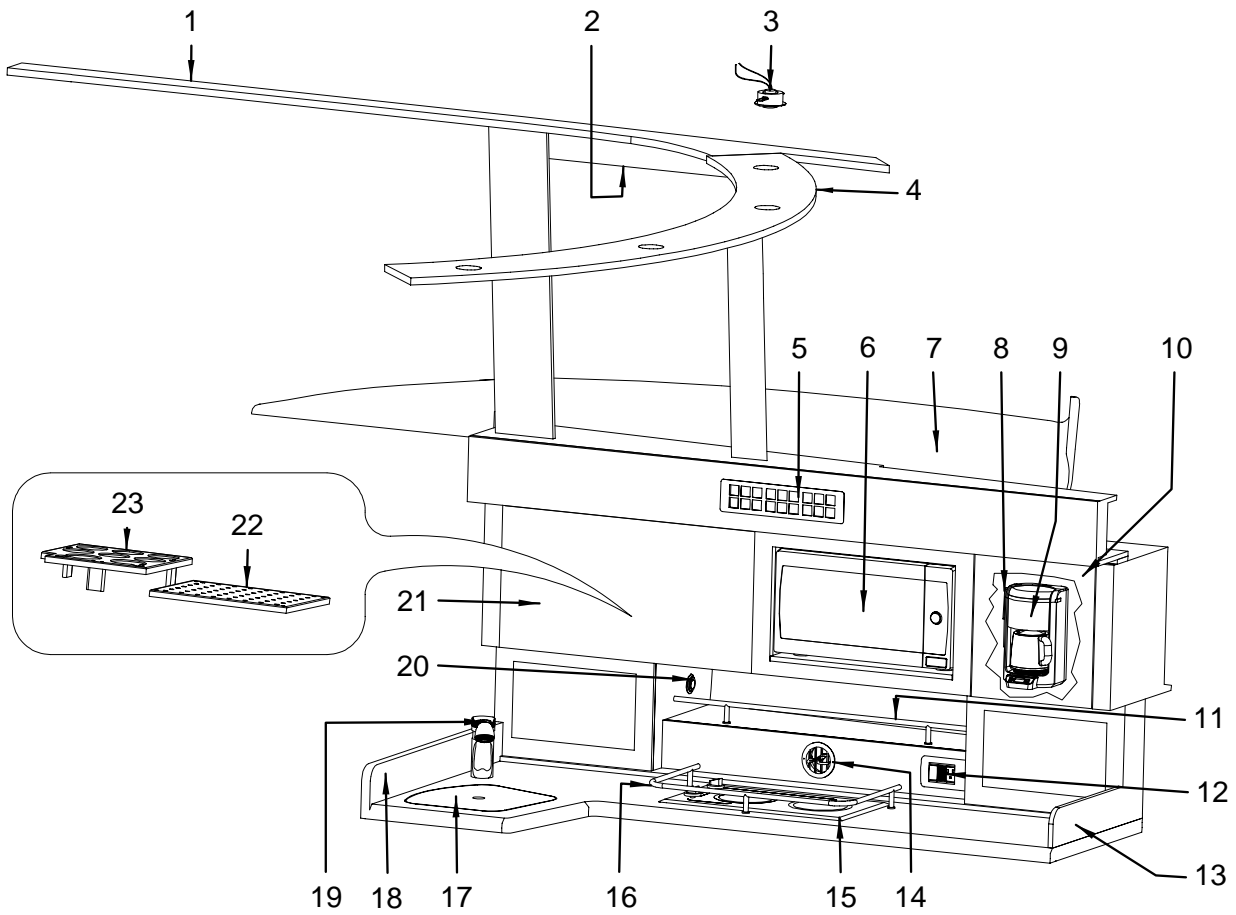
## NOT SHOWN

- 1816869 BEZEL, EDS TPS/TPD BRSHD NCKL  
639849 HOSE, AC/DUCT INSULATED 3" X 11"  
186676 UPH PARTS, DRAPE CEILING BRKT  
186684 UPH PARTS, DRAPE FLUSH END BRKT  
1777884 FITTING, PLAS UNION 3/8" BARB X 1/2" BARB  
1689293 NIPPLE, UNIFLEX PLAS 1/2" UNION

## WASHABLE SURFACE

- 1142165 VINYL, ALLANTE II WHT SAND EXP FLAT  
(INTERIOR A, E)  
1079797 VINYL, ALLANTE II CHAMPAGNE EXP FLAT  
(INTERIOR B, C, D)

GALLEY (UPPER)



**GALLEY (UPPER)**

- 1 1875990 36DB 07,MUFF,PRT GLY/SLN UPR
- 2 1819829 BLINDS, 36DB-06 SLN PRT FWD CHERRY WOOD 1"  
(LIGHT CHERRY FINISH)
- 1819830 BLINDS, 36DB-06 SLN PRT AFT CHERRY WOOD 1"  
(LIGHT CHERRY FINISH)
- 3 1819777 LIGHT, DAVID-EYEBALL SAT/NCKL RNG/FRST W/CONN
- 1448463 BULB, XENON 12V/10W  
(PART OF 1819777)
- 4 1875991 36DB 07,MUFF,PRT GLY/DIN UPR
- 5 1814967 VENT, SS A/C 3 3/8"X 14 1/16"BRUSHED
- 6 1807921 MICROWAVE, PANASONIC 1.2CF SS 1300W 120V-06
- 1793183 MICROWAVE, TAPPAN 0.7CF 220V 700W SS
- 7 1775794 420DB 05,MUFF,ENTRY DOOR AFT
- 8 1881816 RECEPTACLE, GFCI DPLX WHT W/IND/SMRTLCK 15A
- 9 1789033 COFFEEMAKER, KRUPS BLK W/BRSHD CHR 12CUP 110V
- 1809213 COFFEEMAKER, BLK W/BRSHD CHR 12CUP CARAFE  
(PART OF 1789033 & 1793182)
- 1793182 COFFEEMAKER, KRUPS BLK W/BRSHD CHR 12CUP 220V
- 10 1875992 36DB 07,DOOR,STRG GLY COFFEE MKR BLSM CHRY
- 1875993 36DB 07,DOOR,STRG GLY COFFEE MKR WILD CHRY
- 11 1816595 RAIL, GRAB 1/2"OD X 35" 304SS GLY RETAINER
- 12 893222 RECEPTACLE, IDEA-SERIES SGL GRY
- 893263 SWITCH, BLANK IDEA-SERIES GREY
- 893289 FRAME, IDEA-SERIES 3-GANG SUPPORT FRAME GREY
- 13 1833410 TOP, KARADON 36DB-06 GLY FWD BCKSPLSH CNDLGLW
- 14 1457985 VENT, LOUVERED CHR W/SEA RAY LOGO (FACEPLATE)
- 15 1182997 STOVE, ELEC 2-BURNER CARIBBEAN COOKTOP 110
- 16 1815385 RAIL, GRAB 1/2"OD X 23 1/2"X 12 5/8" 304SS
- 17 1798657 TOP, KARADON 36DB-06 GLY CNTR CNDL GLW
- 18 1833411 TOP, KARADON 36DB-06 GLY AFT BCKSPLSH CNDLGLW
- 19 1754620 FAUCET, GALLEY "ALIRA" P/O SPRAY SS
- 1812410 FAUCET, SPRAYER ONLY GLY "ALIRA"  
(PART OF 1754620)
- 20 1287283 RECEPTACLE, FEMALE 12V LONG THRD BLK
- 1259977 PLATE, FEMALE 12V RECEPTACLE MNT
- 21 1875994 36DB 07,DOOR,STRG UPR GLY AFT BLSM CHRY
- 1875995 36DB 07,DOOR,STRG UPR AFT GLY MAPLE
- 22 1814378 HOLDER, HDPE DISHWARE 3/4"X 16 1/8"X 14"ARW
- 1738434 BIRCH, DOWEL PEG 390MY/420DA GLY DISHWARE
- 23 1814373 HOLDER, HDPE CUP 13 3/8"X15" W/HNG CUTOUT ARW
- 1763191 STANCHION, HDPE 390DA-04 CUP HOLDER
- 24 525667 HINGE, CONCEALED FULL OVERLAY MT PLATE ONLY
- 25 521526 HINGE, CONCEALED FULL OVERLAY W/100 DEG ANGLE
- 26 175372 BUMPER, CLEAR SMALL 0.312"ROUND X 0.085"HIGH
- 27 1819242 PULL, PUSH-BUTTON KNOB W/SQR ROSETTE SAT/SAT
- 28 1819273 CATCH, STRIKE PLATE STRAIGHT BLK
- 29 1819273 CATCH, STRIKE PLATE STRAIGHT BLK
- 30 1819766 BLOWER, BILGE 3" FACE MNT #5412 W/CONN
- 279166 TEE, PVC 2"F SLIP ALL THE WAY
- 1750450 PAD, VIBRATION P/C 1/2"X 2"X 3" SUPPORT BRKT
- 31 1831345 HOSE, P/C VENT/BLOWER 3"X 12"
- 1831338 HOSE, P/C VENT/BLOWER 3"X 36"
- 256735 CLAMP, HOSE #64 2 5/8"-4.5" SS .505

**BRACKETS**

- 1078948 BRACKET, SS GAS CYL 3.5"X 3" W/STUD

**LABELS**

- 1746896 LABEL, DANGER STAY CLEAR OF MOVING PARTS
- 1751876 LABEL, WARNING TURN OFF COFFEE MAKER

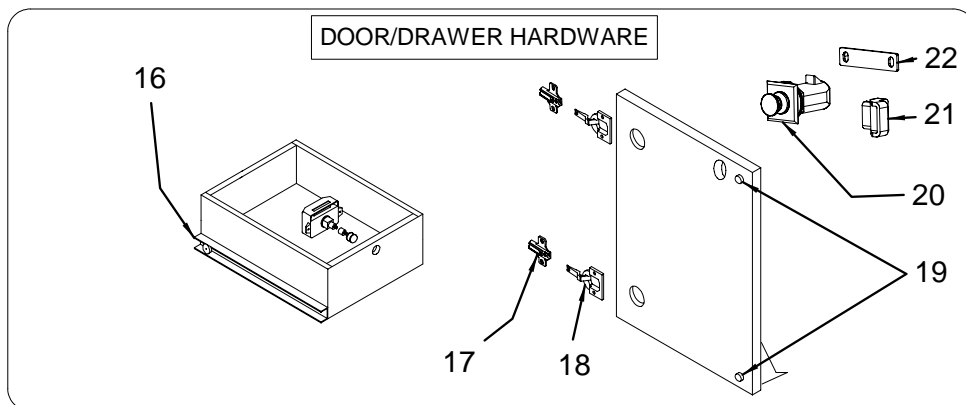
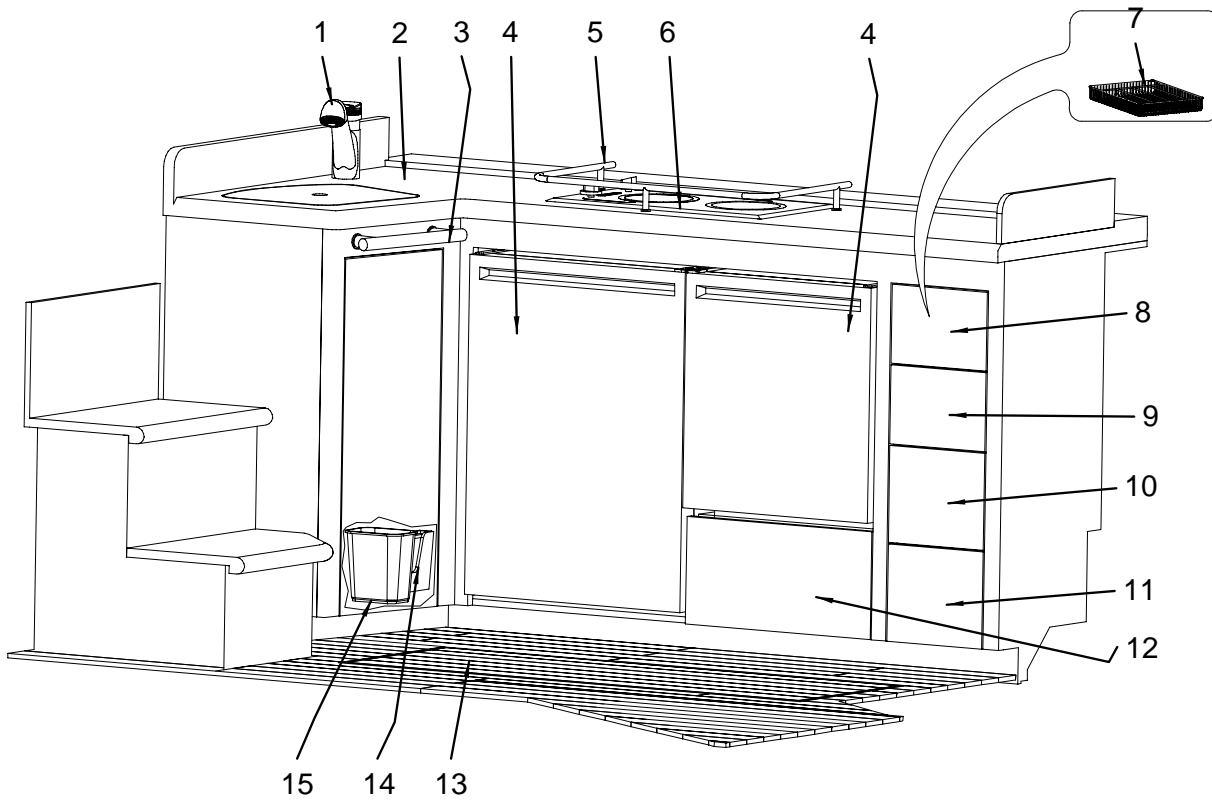
**LOOM CLAMPS**

- 261362 CLAMP, LOOM VINYL DIP #48 3"

**NOT SHOWN**

- 1849199 CYLINDER, GAS SS 100PSI 26"EXT X 15"COMP
- 1848766 A/C COMP, PLENUM W/4R OBLNG 13"X3"X6"
- 1381201 HINGE, CONCEALED MT PLATE ONLY BLUM
- 1271063 DRAWER SLIDE, METAL 20" HVY DTY/FULL EXT

GALLEY (LOWER)



**GALLEY (LOWER)**

- 1 1754620 FAUCET, GALLEY "ALIRA" P/O SPRAY SS
- 1812410 FAUCET, SPRAYER ONLY GLY "ALIRA"  
**(PART OF 1754620)**
- 2 1798657 TOP, KARADON 36DB-06 GLY CNTR CNDL GLW
- 1803376 TOP, KARADON 36DB-06 GLY CNTR LUM GLD
- 1833412 COVER, KARADON 36DB-06 GLY SINK LUM GLD
- 1833413 TOP, KARADON 36DB-06 GLY FWD BCKSPLSH LUM GLD
- 1833414 TOP, KARADON 36DB-06 GLY AFT BCKSPLSH LUM GLD
- 3 1745349 RAIL, SS GRAB 420DB-04 VANITY 12"
- 4 1689110 REF/FREEZER, 4.0CF/1.7CF COMBO W/FLUSH MT FRM
- 1883513 REFRIGERATOR, DOOR INSERT PANEL SS  
**(PART OF 1689110)**
- 1807530 REF/FREEZER, 4.0CF/1.7CF COMBO FRDG DOOR  
**(PART OF 1689110)**
- 1807531 REF/FREEZER, 4.0CF/1.7CF COMBO FRZR DOOR  
**(PART OF 1689110)**
- 1807532 REF/FREEZER, 4.0CF/1.7CF COMBO LATCH  
**(PART OF 1689110)**
- 1807533 REF/FREEZER, 4.0CF/1.7CF COMBO UPR HINGE  
**(PART OF 1689110)**
- 1807534 REF/FREEZER, 4.0CF/1.7CF COMBO LWR HINGE  
**(PART OF 1689110)**
- 5 1815385 RAIL, GRAB 1/2"OD X 23 1/2"X 12 5/8" 304SS
- 6 1182997 STOVE, ELEC 2-BURNER CARIBBEAN COOKTOP 110
- 1183003 STOVE, ELEC 2-BURNER CARIBBEAN COOKTOP 220
- 7 777102 TRAY, "REV-A-SHELF" CUTLERY TRAY 12"
- 8 1875996 36DB 07,DRWRFC, GLY BANK (1) CHERRY
- 1875997 36DB 07,DRWRFC, GLY BANK (1) MAPLE
- 9 1875998 36DB 07,DRWRFC, GLY BANK (2) BLSM CHRY
- 1875999 36DB 07,DRWRFC, GLY BANK (2) MAPLE
- 10 1876000 36DB 07,DRWRFC, GLY BANK (3) MAPLE
- 1876001 36DB 07,DRWRFC, GLY BANK (3) MAPLE
- 11 1876002 36DB 07,DRWRFC, GLY BANK (4) BLSM CHRY
- 1876003 36DB 07,DRWRFC, GLY BANK (4) MAPLE
- 12 1876004 36DB 07,DRWR, GLY LWR BLSM CHRY
- 1876005 36DB 07,DRWR, GLY LWR MAPLE
- 13 1876006 36DB 07, HATCH, FLOOR GLY
- 14 1819356 HOLDER, LDPVC 36DB-06 GLY SINK CVR
- 15 431098 BASKET, TRASH 11 3/8"X 8.25"X 12 1/8" BEIGE
- 16 1463520 SLIDE ASSY, DRAWER SLIDE 10" ACCURIDE
- 1451541 SLIDE ASSY, DRAWER SLIDE 14" ACCURIDE
- 1547256 SLIDE ASSY, DRAWER SLIDE 16" ACCURIDE
- 17 525667 HINGE, CONCEALED FULL OVERLAY MT PLATE ONLY
- 18 521526 HINGE, CONCEALED FULL OVERLAY W/100 DEG ANGLE
- 19 175372 BUMPER, CLEAR SMALL 0.312"ROUND X 0.085"HIGH
- 20 1819242 PULL, PUSH-BUTTON KNOB W/SQR ROSETTE SAT/SAT
- 21 1819273 CATCH, STRIKE PLATE STRAIGHT BLK
- 22 1819273 CATCH, STRIKE PLATE STRAIGHT BLK

**BRACKETS**

- 186239 BRACKET, ALUM 1.5"X 1.5"X 3"

**FLOORING**

- 1684197 FLOORING, SANTOS CABREUVA MAHOGANY

**HOSE**

- 511592 HOSE, PVC CLEAR 5/16"

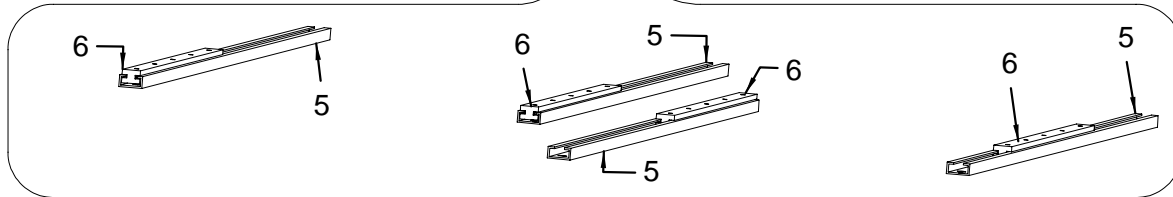
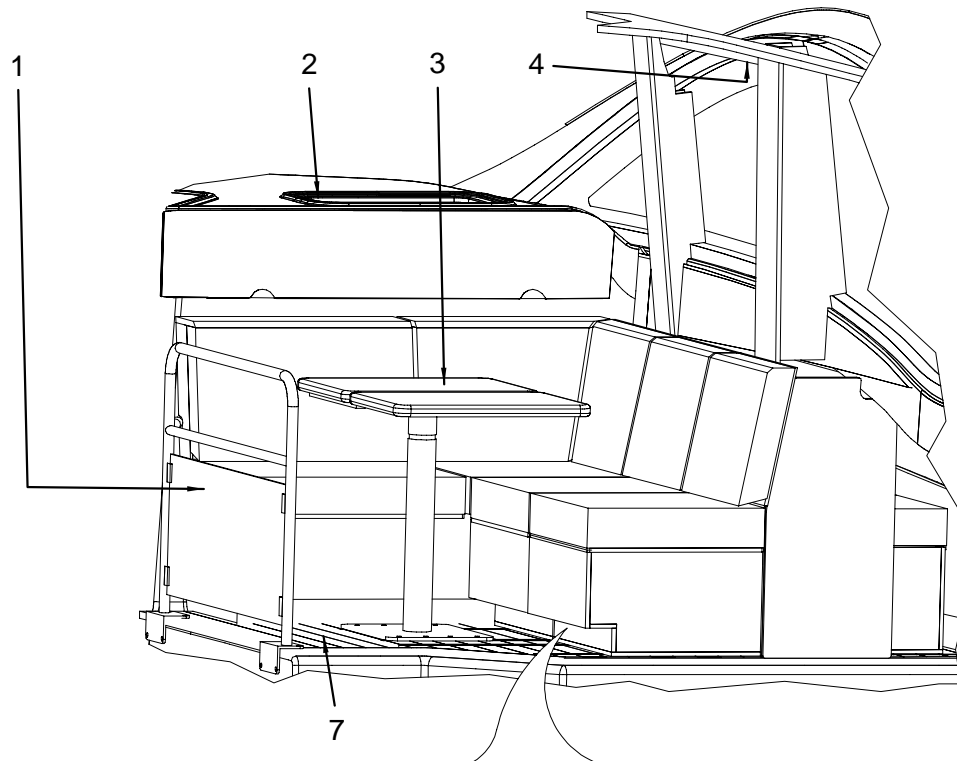
**LABELS**

- 1743547 LABEL, GAS VAPORS CAN EXPLODE
- 1744745 LABEL, DISPOSAL OF GARBAGE

**NOT SHOWN**

- 1833409 COVER, KARADON 36DB-06 GLY SINK CNDL GLW
- 180125 COVER PLATE, MTL HANDY BOX
- 180463 BOX, RECEPTACLE HANDY DUPLEX METAL
- 1816868 BEZEL, EDS 400ECM BRSHD NCKL
- 1814378 HOLDER, HDPE DISHWARE 3/4"X 16 1/8"X 14"ARW
- 1850044 THRESHOLD, SS 36DB-07 GALLEY 20.5"
- 1893903 MAHOGANY, THRESHOLD SANTOS NATURAL 78"

**DINETTE**



**DINETTE**

- 1 1817337 RAIL, SS 36DB-06 DINETTE WALL
- 1831211 CLAMP, SS GLASS
- 1831218 PANEL, GLASS 1/4"X 15"X 39.5"BRZ P/E W/3-SQRS
- 2 1797132 SKYLIGHT, PLEX 1/4"CLR/FRST 13"X 21"W/RAD
- 3 1831237 TABLE, WOOD 36DB-06 DIN BLSM CHERRY
- 1831232 POST, TABLE LEG 26.75"BASE/LEG/TOP ASSY HVY
- 4 1819831 BLINDS, 36DB-06 SLN STB FWD CHERRY WOOD 1" (LIGHT CHERRY FINISH)
- 1819832 BLINDS, 36DB-06 SLN STB AFT CHERRY WOOD 1" (LIGHT CHERRY FINISH)
- 5 1846385 TRACK, ALUM SLIDER 45.75"
- 1846386 TRACK, ALUM SLIDER 61.5"
- 1846389 TRACK, ALUM SLIDER 56.25"
- 6 894030 SLIDE, HDPE SALON SOFA 1"X 16"
- 7 1684197 FLOORING, SANTOS CABREUVA MAHOGANY

**NOT SHOWN (continued)**

- 1849355 PLATE, ALUM 36DB-06 TBL ADAPTER
- 1819777 LIGHT, DAVID-EYEBALL SAT/NCKL RNG/FRST W/CONN BULB, XENON 12V/10W (PART OF 1819777)
- 1448463

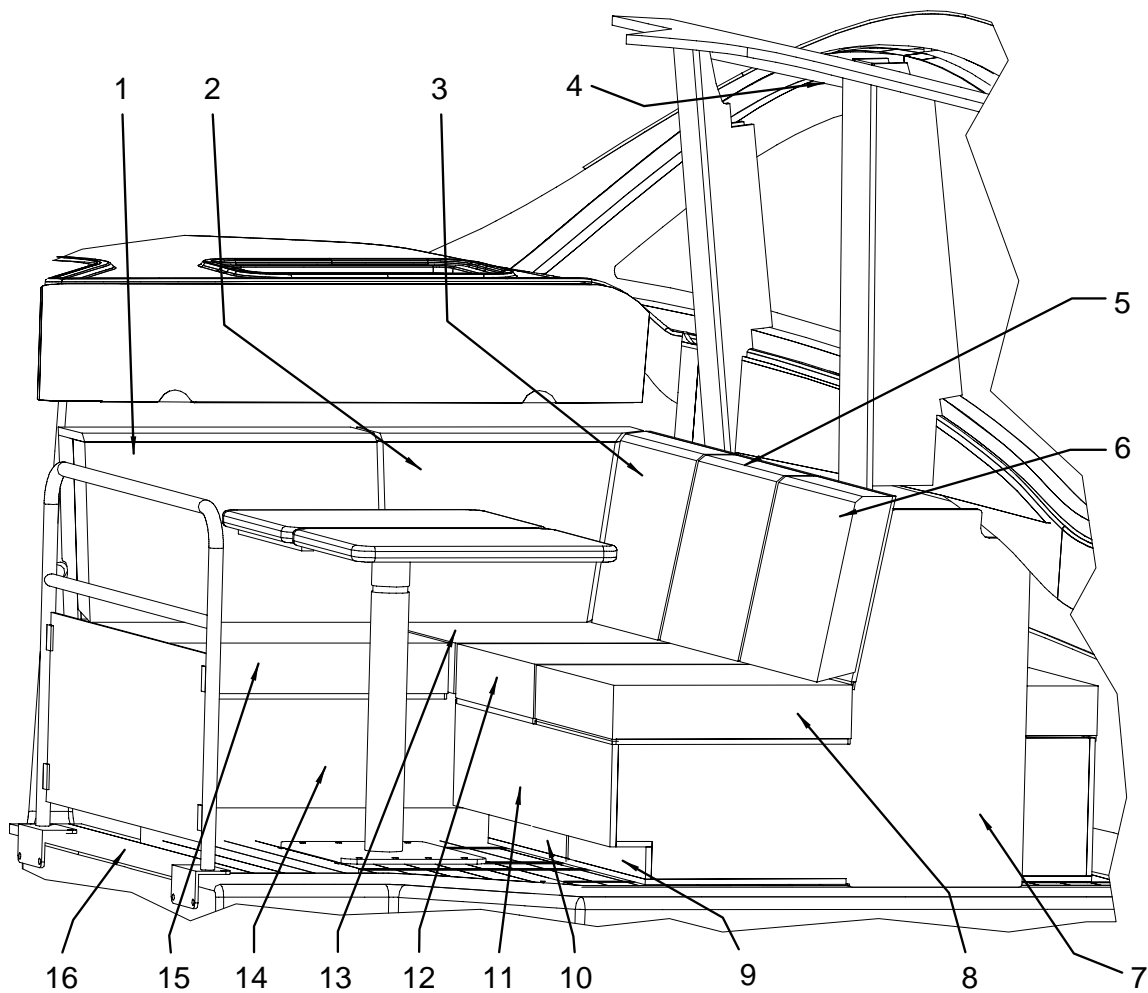
**BRACKETS**

- 186221 BRACKET, ALUM 1.5"X 1.5"X 1.5"SUPPORT
- 1756151 BRACKET, BLSTR CKPT 3/4"X2"X1/16" STND-OFF SS
- 1798770 BRACKET, HELM SEAT 3/4"X2.25"X1/2"OFF-SET SS

**NOT SHOWN**

- 1831075 PULL, CABINET ZINC MATTE NCKL 5 5/8"
- 609883 CLEAT, PLAS 3/4"X 1"X 4" GREY

DINETTE (UPHOLSTERY)





**DINETTE (UPHOLSTERY)**

- 1 1876007 36DB 07,B/R,FWD I/B DIN
- 1876008 36DB 07,B/R SKN,FWD I/B DIN
- 2 1876009 36DB 07,B/R,FWD O/B DIN
- 1876010 36DB 07,B/R SKN,FWD O/B DIN
- 3 1878026 36DB 07,B/R,STB DIN
- 1878027 36DB 07,B/R SKN,STB FWD DIN
- 4 1819831 BLINDS, 36DB-06 SLN STB FWD CHERRY WOOD 1"  
(LIGHT CHERRY FINISH)
- 1819832 BLINDS, 36DB-06 SLN STB AFT CHERRY WOOD 1"  
(LIGHT CHERRY FINISH)
- 5 1878028 36DB 07,B/R,STB CTR DIN
- 1878029 36DB 07,B/R SKN,STB CTR DIN
- 6 1878030 36DB 07,B/R,STB AFT DIN
- 1878031 36DB 07,B/R SKN,STB AFT DIN
- 7 1878032 36DB 07,BASE STB AFT DIN
- 1878033 36DB 07,BASE SKN, STB AFT DIN
- 8 1878034 36DB 07,CUSH,STB AFT DIN
- 1878035 36DB 07,CUSH SKN,STB AFT DIN
- 9 1878036 36DB 07,BASE,PULL-OUT STB AFT DIN
- 1878037 36DB 07,BASE SKN,PULL-OUT STB AFT DIN
- 10 1878038 36DB 07,BASE,PULL-OUT STB FWD DIN
- 1878039 36DB 07,BASE SKN,PULL-OUT STB FWD DIN
- 11 1878040 36DB 07,BASE STB FWD DIN
- 1878041 36DB 07,BASE SKN,STB FWD DIN
- 12 1878042 36DB 07,CUSH,STB FWD DIN
- 1878043 36DB 07,CUSH SKN,STB FWD DIN
- 13 1878044 36DB 07,CUSH,FWD OTBD DIN
- 1878045 36DB 07,CUSH SKN,FWD OTBD DIN
- 14 1878046 36DB 07,BASE FWD DIN
- 1878047 36DB 07,BASE SKN,AFT DIN
- 15 1878048 36DB 07,CUSH,FWD INBD DIN
- 1878049 36DB 07,CUSH SKN,FWD INBD DIN
- 16 1684197 FLOORING, SANTOS CABREUVA MAHOGANY

**FOAM**

- 1819389 FOAM, P/C 36DB-06 DINETTE SEATS/BCKRSTS
- 1819391 FOAM, P/C 36DB-06 DINETTE SML PRTS
- 1840200 FOAM, P/C 36DB-07 DINETTE BLSTRS
- 1736990 FOAM, P/C 420DA-03 MIDSTRM CEILING ENTRY MUFF

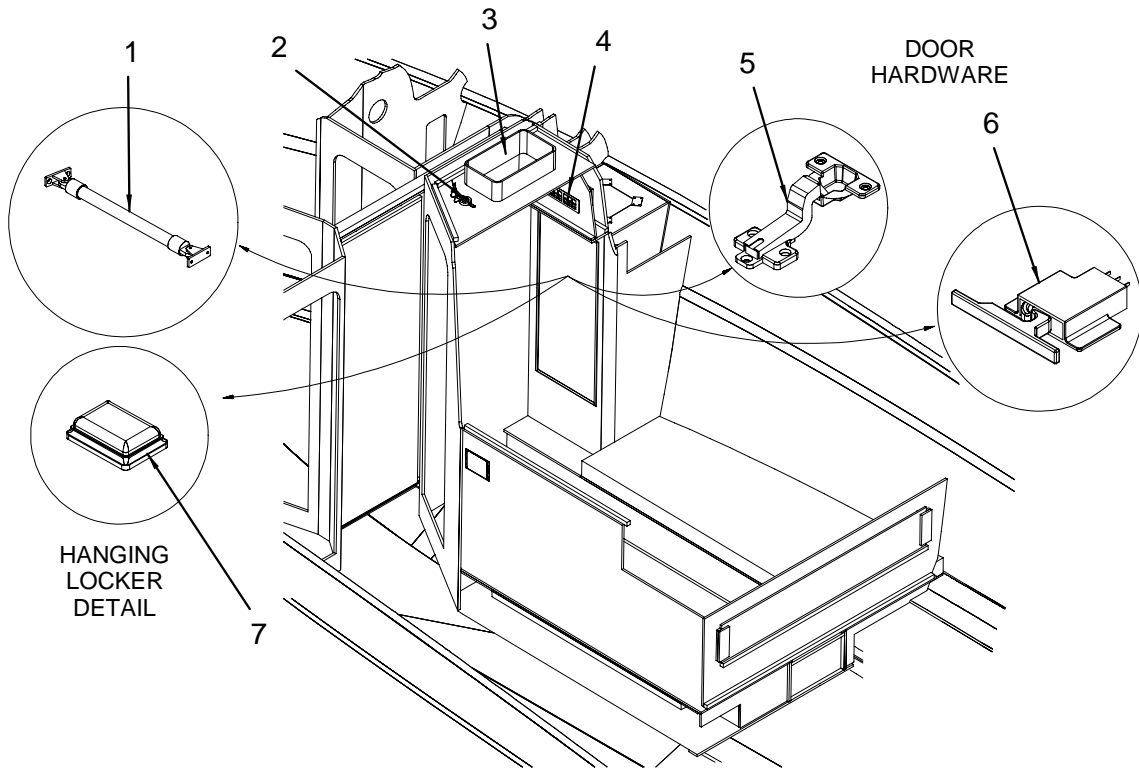
**NOT SHOWN**

- 268466 FABRIC, DYMETROL

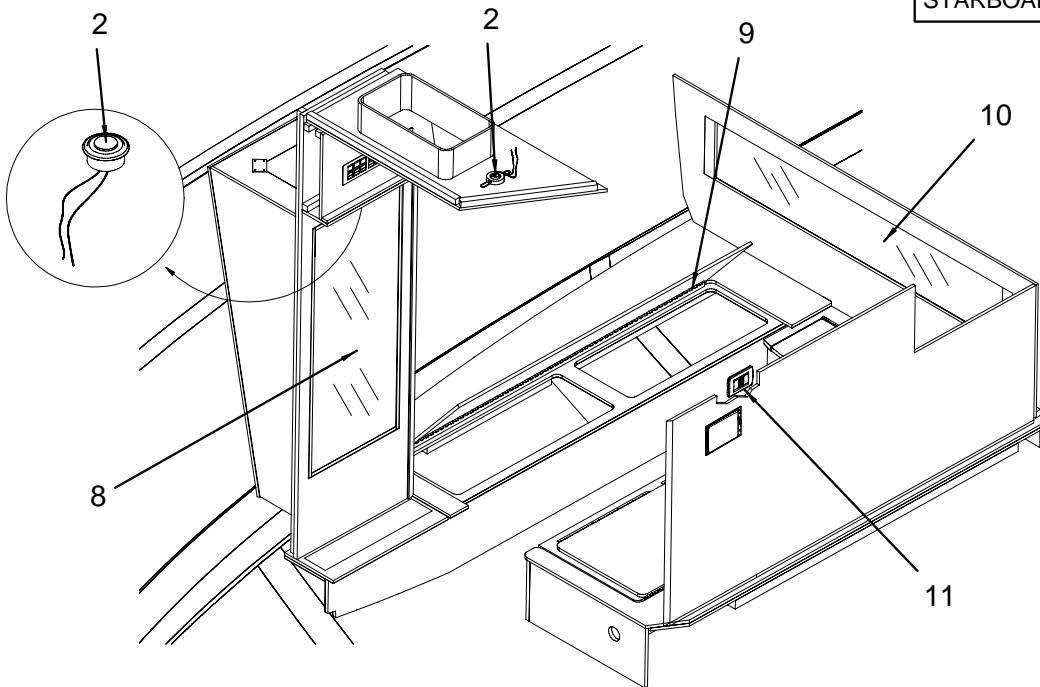
**STORAGE & BUNK TOPS**

- 1128487 FABRIC, GEOMETRIC STRAW (NDLPNCH) W/BACK

STARBOARD GUEST STATEROOM (STARBOARD VIEW)



STARBOARDVIEW



**STARBOARD GUEST STATEROOM (STARBOARD VIEW)**

1	1847189	BAR, HANGING ROD (CLOTHES) SS 19.25" (HULL# 511 -> UP)
	1816316	BAR, HANGING ROD (CLOTHES) SS 17.25" (HULL# 501 -> 510)
2	1819777	LIGHT, DAVID-EYEBALL SAT/NCKL RNG/FRST W/CONN
	1448463	BULB, XENON 12V/10W (PART OF 1819777)
3	1797132	SKYLIGHT, PLEX 1/4"CLR/FRST 13"X 21"W/RAD
4	1814967	VENT, SS A/C 3 3/8"X 14 1/16"BRUSHED
5	525667	HINGE, CONCEALED FULL OVERLAY MT PLATE ONLY
	839399	HINGE, SELF CLOSING BLUM SCREW-ON
6	390849	CATCH, GRABBER LATCH W/10LB HOLD BLK PLAS
7	1771064	LIGHT, SGL DOME FLSH MNT PLS WHT N/SW W/CONN
	604801	BULB, DOME LIGHT 12V (PART OF 1771064)
8	1815714	MIRROR, 1/8"X 17 7/8"X 42 7/8"CLR P/E ALL
	1437219	PULL, DOOR FLUSH MIRROR CHR
	175372	BUMPER, CLEAR SMALL 0.312"ROUND X 0.085"HIGH
9	1831497	HINGE, SS CONT 2"X 62" PIN DIA .125 POL
10	1815716	MIRROR, 1/8"X 10"X 58.5"CLR P/E ALL
11	893222	RECEPTACLE, IDEA-SERIES SGL GRY
	893263	SWITCH, BLANK IDEA-SERIES GREY
	1818834	COVER PLATE, IDEA-SERIES 3-GANG NKL SQR CRNR
	893289	FRAME, IDEA-SERIES 3-GANG SUPPORT FRAME GREY
	627737	BOX, RECEPTACLE/SWITCH PVC 1-GANG DEEP

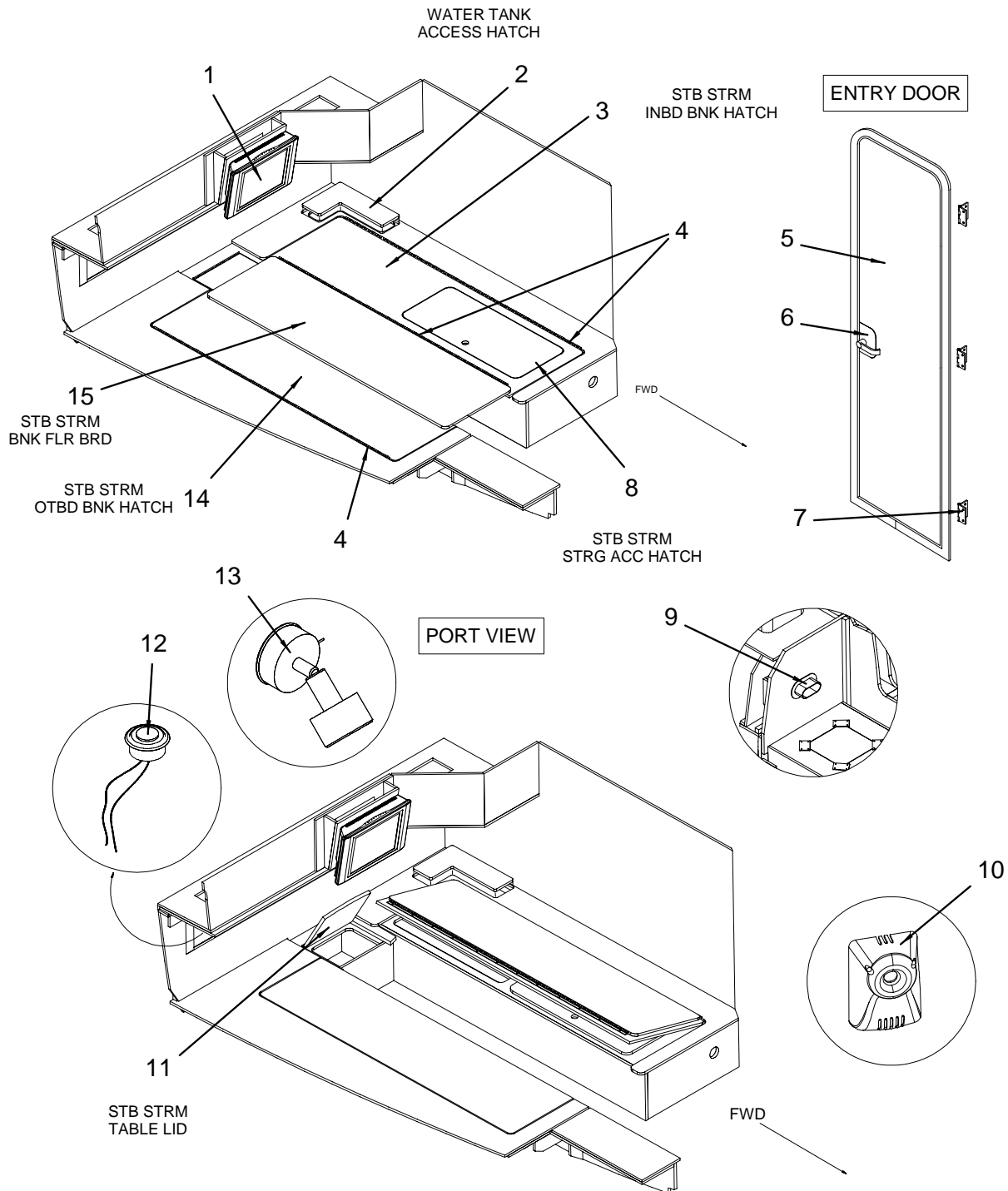
**CLAMPS**

256735	CLAMP, HOSE #64 2 5/8"-4.5" SS .505
--------	-------------------------------------

**NOT SHOWN**

609883	CLEAT, PLAS 3/4"X 1"X 4" GREY
639856	HOSE, AC/DUCT INSULATED 4" X 10'
174599	LIFT HANDLE, HATCH LIFT BOLT 1/4"X 4" SHANK (FLOOR HATCHES)

STARBOARD GUEST STATEROOM (PORT VIEW)



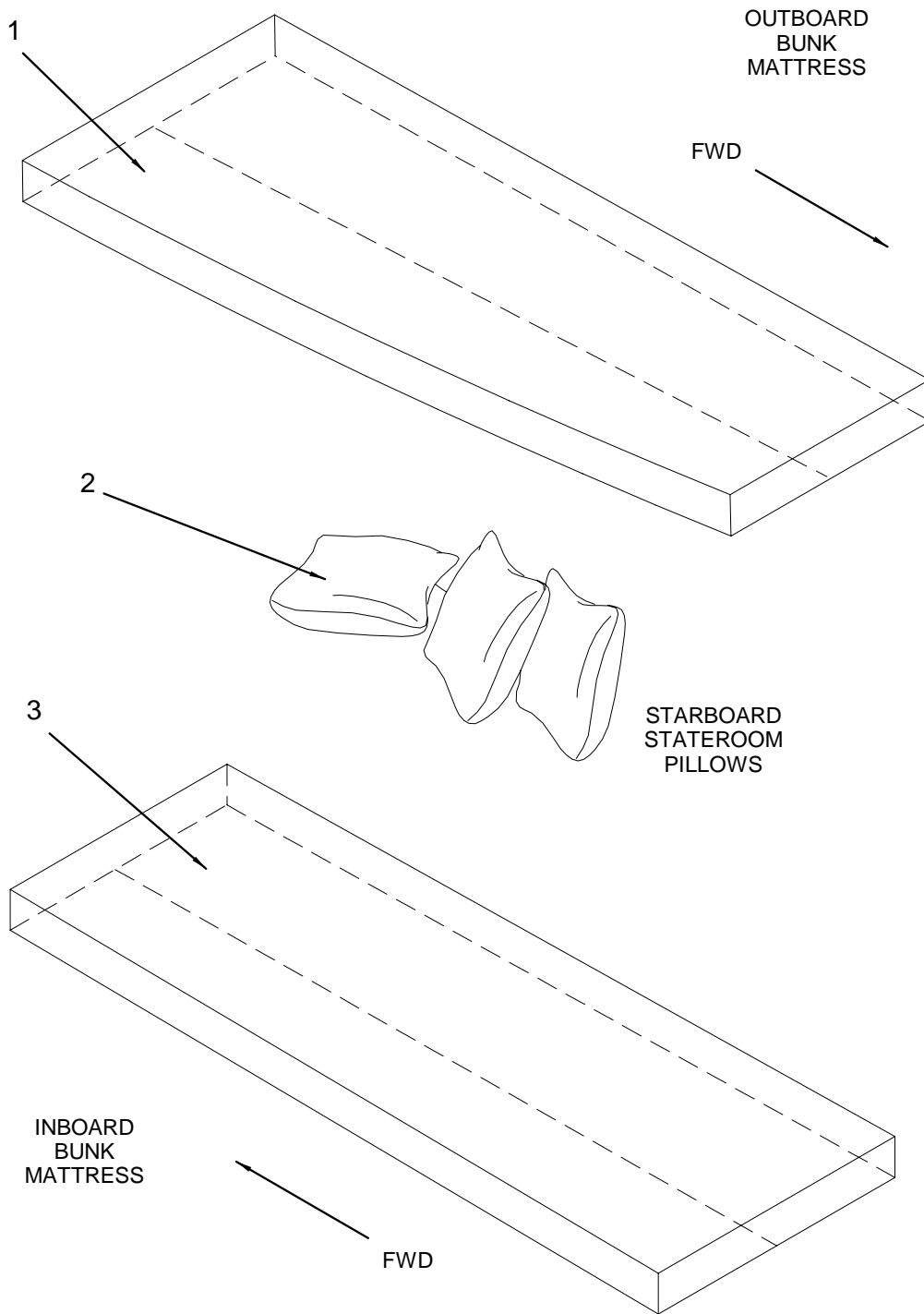
## STARBOARD GUEST STATEROOM (PORT VIEW)

- 1 1839535 TELEVISION, 15" SHARP LCD LC15S5US  
(HULL# 523 -> UP)
- 1877910 REMOTE, TV 15"/20" SHARP AQUOS LCD  
(HULL# 523 -> UP)(PART OF 1839535)
- 1805634 TELEVISION, 14" TOSHIBA LCD/DVD COMBO  
(HULL# 501 -> 522)
- 1815451 REMOTE, TV 14" TOSHIBA LCD/DVD COMBO  
(HULL# 501 -> 522)(PART OF 1805634)
- 1890626 TELEVISION, 15" TOSHIBA PAL 15VL63G  
(HULL# 580 -> UP)
- 1815899 TELEVISION, 15" TOSHIBA PAL LCD  
(HULL# 501 -> 579)
- 1835480 REMOTE, TV TOSHIBA PAL LCD  
(PART OF 1815899)
- 1761365 DVD, CYBERHOME CH-DVD 300 PAL TUNER 120/240V
- 1804866 REMOTE, CYBERHOME DVD/VCR COMBO  
(PART OF 1761365)
- 637058 CONN, COAX EURO TV ADAPTER "F" TYPE  
(STBD STRM TV & 220V)
- 2 1878074 36DB 07,HATCH,WTR TNK ACCESS
- 3 1878075 36DB 07,HATCH,STBSTRM INBD BNK
- 4 1831497 HINGE, SS CONT 2"X 62" PIN DIA .125 POL
- 5 1878339 36DB 07,DOOR,ENTRY STB STRM
- 1799862 THRESHOLD, SS 36DB-06 ENTRY STB STRM 18 7/8"
- 1889437 SHIM, ACRY 1/2" BLK MAGNETIC DOOR STOP
- 1746047 HOLDER, MAGNETIC SHORT
- 6 1751067 LATCH, NOVA LH-IN PRVKNB SAT/CHR HDSCLR
- 7 1111640 HINGE, SS NON-MORTICE TYPE-2 DOOR
- 8 1878075 36DB 07,HATCH,STBSTRM INBD BNK
- 9 958140 A/C COMP, HOSE RING 4" OBLONG
- 10 1816919 MONITOR, CO DETECTOR WHT CMD-4-RLY
- 1816920 PLATE, CO MONITOR BCKNG WHT CMD-4M-RLY-FCB  
(HULL# 571 -> UP)
- 1816921 PLATE, CO MONITOR BCKNG CMD-4M-RLY-FCB W/CONN  
(HULL# 501 -> 570)
- 11 1878078 36DB 07,LID,STBSTRM TBL
- 1749060 HINGE, AL CONT 1.5"X 12" BLK
- 12 1819777 LIGHT, DAVID-EYEBALL SAT/NCKL RNG/FRST W/CONN
- 1448463 BULB, XENON 12V/10W  
(PART OF 1819777)
- 13 1819813 LIGHT, SAMPEI HLGW W/SW 12V/10W SATNCKL W/CON
- 1448463 BULB, XENON 12V/10W  
(PART OF 1819813)
- 1426774 BULB, XENON 24V/10W  
(PART OF 1819813)
- 14 1878076 36DB 07,HATCH,STB STRM OTBD BNK
- 15 1878077 36DB 07,HATCH,STB STRM BNK FLR BOARD

## NOT SHOWN

- 137919 LIGHT, STRIP TAC 36"
- 1816869 BEZEL, EDS TPS/TPD BRSHD NCKL
- 1816874 MODULE, EDS 36DB-06 STB STRM SW

STARBOARD GUEST STATEROOM (UPHOLSTERY)



**STARBOARD GUEST STATEROOM (UPHOLSTERY)**

- 1 1878081 36DB 07,CUSH,BUNK OUTBD STBSTRM
- 1878082 36DB 07,CUSH SKN,BUNK OUTBD STBSTRM
- 2 1831445 PILLOW PKG, 2007 SPYACHT PKGA MID/GST (2)  
(INTERIOR A)
- 1831450 PILLOW PKG, 2007 SPYACHT PKGB MID/GST (2)  
(INTERIOR B)
- 1831454 PILLOW PKG, 2007 SPYACHT PKGC MID/GST (2)  
(INTERIOR C)
- 1831495 PILLOW PKG, 2007 SPYACHT PKGD MID/GST (2)  
(INTERIOR D)
- 1806020 PILLOW PKG, 2006 SPYACHT PKGE MID/GSTSTRM (2)  
(INTERIOR E)
- 1805783 PILLOW PKG, 2006 YACHT INT5 GSTRM (2)  
(NEUTRAL PILLOW PACKAGE)
- 3 1878079 36DB 07,CUSH,BUNK INBD STBSTRM
- 1878080 36DB 07,CUSH SKN,BUNK INBD STBSTRM

**FOAM**

- 1799866 FOAM, P/C 36DB-06 STB STRM SLEEPER

**HEADBOARD / ACCENT / BUNK BOLSTER VINYL**

- 1180744 VINYL, ULTRALTHR PECAN 3778  
(INTERIOR A, C, D)
- 1767435 VINYL, ULTRALTHR WALNUT 3777  
(INTERIOR B, E)

**HEADBOARD / ACCENTS**

- 1142165 VINYL, ALLANTE II WHT SAND EXP FLAT  
(INTERIOR A, E)
- 1079797 VINYL, ALLANTE II CHAMPAGNE EXP FLAT  
(INTERIOR B, C, D)

**INTERIOR CARPET**

- 1835667 CARPET, INT 44 OZ TOAST 6'W 100% BCF NYLON
- 1467182 CARPET, INT 44 OZ WHEATON 6'W 100% BCF NYLON  
(WHEATON CARPET COLOR - OPTIONAL)

**MISCELLANEOUS UPHOLSTERY**

- 180182 ZIPPER, #5 DELRIN CONTINUOUS WHT
- 180406 SLIDE, DELRIN #5 WHT 1-S LOCK

**NOT SHOWN**

- 1838329 FABRIC, MATTRESS TICK 36DB-06 STBSTRM STB CVR
- 1838595 FABRIC, MATTRESS TICK 36DB-06 STBSTRM PRT CVR
- 1838596 FABRIC, MATTRESS TICK 36DB-06 STBSTRM FLR CVR

**QUILT KIT**

- 1836232 QUILT SET, 36DB-07 PKGA-CANE STBSTRM  
(INTERIOR A)
- 1836615 QUILT SET, 36DB-07 PKGB-NEW JACK/CNVS STBSTRM  
(INTERIOR B)
- 1836617 QUILT SET, 36DB-07 PKGC-GIGI/CHAMOIS STBSTRM  
(INTERIOR C)
- 1836619 QUILT SET, 36DB-07 PKGD-CANTONESE BRNSTN STB  
(INTERIOR D)
- 1819339 QUILT SET, 36DB-06 PKGE-MOBILE SYCAMR STBSTRM  
(INTERIOR E)

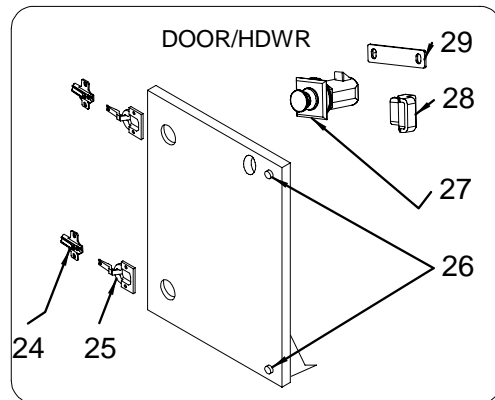
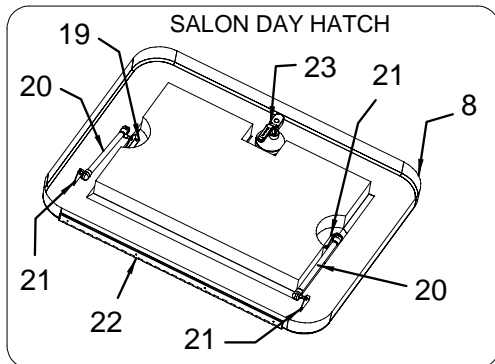
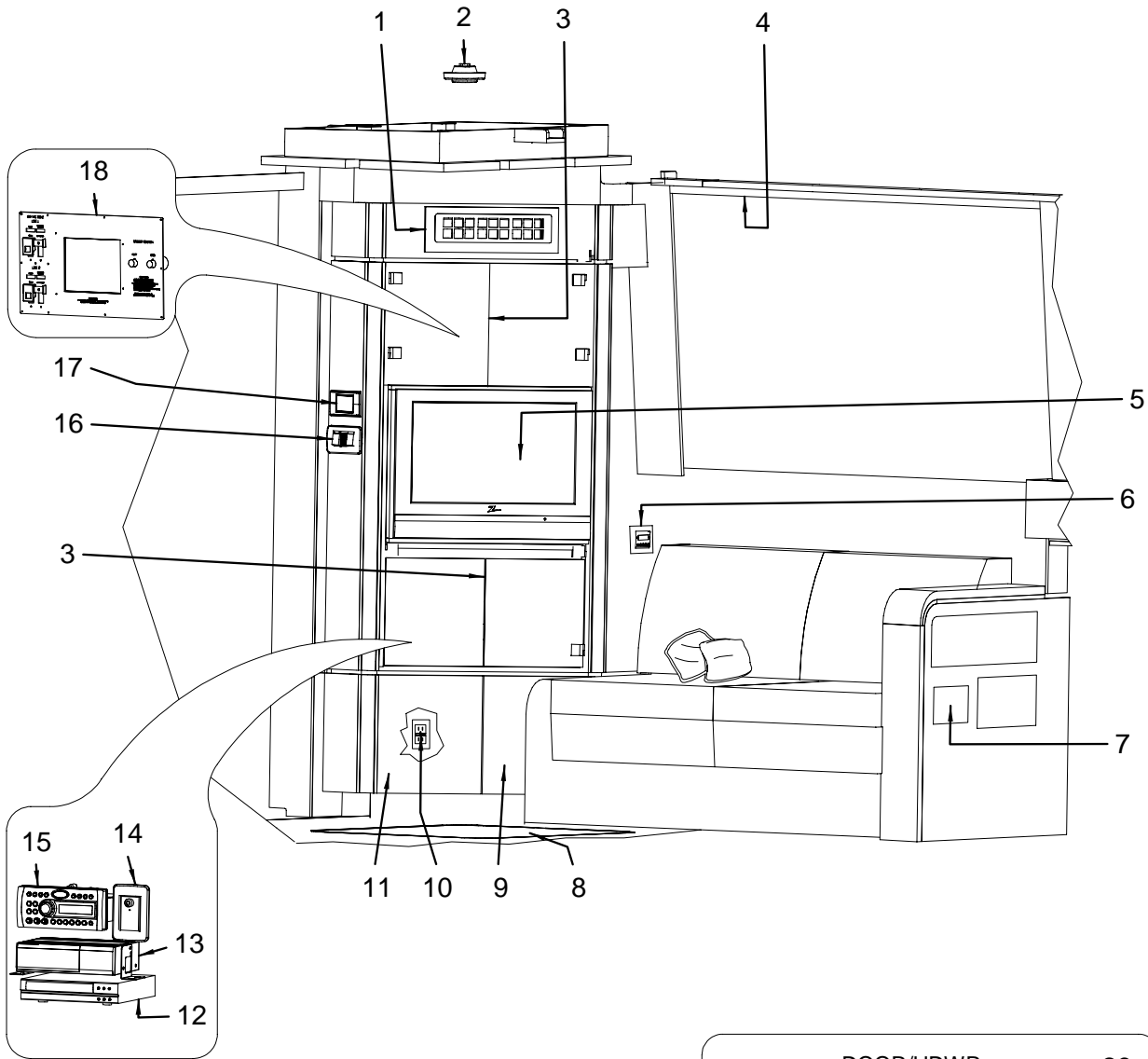
**SHEETS**

- 1830988 SHEET, 36DB-06 STBSTRM FITTED W/PCKT

**STORAGE & BUNK TOPS**

- 1128487 FABRIC, GEOMETRIC STRAW (NDLPNCH) W/BACK

SALON (PORT VIEW)





## SALON (PORT VIEW)

1	1814967	VENT, SS A/C 3 3/8"X 14 1/16"BRUSHED
2	1819777	LIGHT, DAVID-EYEBALL SAT/NCKL RNG/FRST W/CONN
	1448463	BULB, XENON 12V/10W (PART OF 1819777)
3	1848683	DOOR, PLEX ENT CTR 1/4"X8.5"X11 3/16"BRZ P/E
	1848684	DOOR, PLEX ENT CTR 1/4"X11 3/16"X17 3/16"BRZ
	653840	PULL, GLASS DOOR BLK FINGER PULL
	1683507	CATCH, DBL MAGNETIC BLK PLAS SCREW MNT
	1820099	HINGE, ZINC GLASS DOOR W/CATCH BLK
4	1819829	BLINDS, 36DB-06 SLN PRT FWD CHERRY WOOD 1" (LIGHT CHERRY FINISH)
	1819830	BLINDS, 36DB-06 SLN PRT AFT CHERRY WOOD 1" (LIGHT CHERRY FINISH)
5	1839537	TELEVISION, 20" SHARP AQUOS LCD LC20S5US
	1877910	REMOTE, TV 15"/20" SHARP AQUOS LCD (PART OF 1839537)
	1891291	TELEVISION, 20" TOSHIBA LCD 220V 20VL63G
	1809202	TELEVISION, 20" TOSHIBA PAL LCD (220 VOLT / 50 CYCLE ELECTRICAL SYSTEM)
	1835480	REMOTE, TV TOSHIBA PAL LCD (PART OF 1809202)
	1787508	COVER PLATE, SGL DUPLEX RECEPT BRN LVT
	1787507	RECEPTACLE, DUPLEX BRN 15A LVT
	1145069	RECEPTACLE, SGL GERMAN STD WHT (220 VOLT / 50 CYCLE ELECTRICAL SYSTEM)
6	1805241	A/C COMP, CONTROLLER SMXHT DISPLAY DX-GREY
7	1816873	MODULE, EDS 36DB-06 CLOCK W/LCD
8	1779291	390DA 05,HATCH,CKPT FILR FBRGLS
	1396142	MOLDING, FOAM RBR "D-SHAPE" 1.75" W/HAT ADH
	1802814	CYLINDER, GAS SS 70PSI 26"EXT X 15"COMP
9	1878340	36DB 07,DOOR,LWR FWD STRG SLN ENT/CTR CHRY
	1878363	36DB 07,DOOR,LWR FWD STRG SLN ENT/CTR WLDCHRY
10	1881816	RECEPTACLE, GFCI DPLX WHT W/IND/SMRTLCK 15A
11	1878341	36DB 07,DOOR,LWR AFT STRG SLN ENT/CTR CHRY
	1878364	36DB 07,DOOR,LWR AFT STRG SLN ENT/CTR WLDCHRY
12	1761365	DVD, CYBERHOME CH-DVD 300 PAL TUNER 120/240V
	1804866	REMOTE, CYBERHOME DVD/VCR COMBO (PART OF 1761365)
13	1733835	STEREO, CD CHANGER 6-DISC DCZ625 C-NET
	1122357	STEREO, CD (6 DISC) MAGAZINE CLARION (PART OF 1733835)
14	1818839	COVER PLATE, IDEA-SERIES 1-GANG NKL SQR CRNR
	1831550	ANTENNA, TV AMP W/SHIP/SHR A/B SW 12/24 W/CON
15	1854318	STEREO, AM/FM CD/CHNGR/SIR/XM SAT CMD4A (HULL# 555 -> UP)
	1803464	STEREO, AM/FM CD W/CHNGR/SIR SAT PLAYER CMD4 (HULL# 501 -> 554)
	1818887	STEREO, AMP PANASONIC 50WX2CHNL
	1807866	STEREO, AMP PANASONIC 400W 4CHNL
	1847461	STEREO, SIRIUS SATELLITE RCVR SIRCL3M-6MO
	1887355	CABLE, SIRIUS SATELLITE RCVR CENET SIRCLM3 (PART OF 1847461)
	1772076	EXTENSION, CABLE 20'/15' FM RECEIVER W/CONN
	1750879	CABLE, RCA AUDIO "Y" (1-FM/ 2-M) W/NOISE SUPP
	1750878	CABLE, RCA AUDIO 20' W/EFX-2 CONN W/NOISE SUP
	1312750	CABLE, CLARION REMOTE EXTENSION CABLE 24'
	1363027	ANTENNA, EXTENSION 25' STEREO CABLE
	1581560	ANTENNA, AMPLIFIED 13398
	829432	BUSS BAR, DBL POST 5/16"
	1690557	SPEAKER, COAXIAL 6.5" N/CVR
	1812977	CONN, COAX ADAPTER 90 DEG MALE/FEM "F" TYPE
	1891017	EXTENSION, CABLE 25' SIRIUS ANTENNA
16	893289	FRAME, IDEA-SERIES 3-GANG SUPPORT FRAME GREY
	1818834	COVER PLATE, IDEA-SERIES 3-GANG NKL SQR CRNR
	893263	SWITCH, BLANK IDEA-SERIES GREY
	893230	SWITCH, IDEA-SERIES SPST GREY
17	1885760	MODULE, EDS 36DB-07 SLN VERT SW (HULL# 573 -> UP)
	1816875	MODULE, EDS 36DB-06 SALON SW (HULL# 501 -> 572)
18	1816851	PANEL, BLANK:36DB-06 TRNSFR/IGN/EDS GAS 120V
19	634550	BRACKET, SS GAS CYL 90DEG L-BRKT W/BALL LONG
20	1424597	CYLINDER, GAS SS 20PSI 15"EXT X 9"COMP
21	634592	BRACKET, SS GAS CYL FLAT W/BALL STUD
22	917245	HINGE, SS CONT 2"X 25.5"
23	1690323	PULL, FLUSH HATCH SS T-HNDL W/EMRG HNDL ROUND
	1690952	PLATE, STRIKER SS BILGE HATCH
24	525667	HINGE, CONCEALED FULL OVERLAY MT PLATE ONLY
25	839399	HINGE, SELF CLOSING BLUM SCREW-ON

## BRACKETS

186239 BRACKET, ALUM 1.5"X 1.5"X 3"

## CLAMPS

256750 CLAMP, HOSE #88 4.25"-6" SS .505

## INSULATIONS

770404 INSULATION, 2" ACOUSTICAL 4.5'X 6' ALUM

## LABEL

1744738 LABEL, RECEPTACLE 12V-15A MAX (LEXAN)

## NOT SHOWN

1750880 CABLE, RCA AUDIO 6' W/EFX-2 CONN W/NOISE SUPP  
1872354 BLOCK, HDPE SLN BILGE HATCH CATCH  
1872356 BLOCK, HDPE SOFA SLIDER  
863225 PLATE, STRIKER MOBELLA (WIDE)  
1848765 A/C COMP, PLENUM W/6R OBLNG 13"X3"X6"  
1849892 HINGE, SS CONT 4"X 19" W/5/16" HOLE DIAM  
1887976 HINGE, OVERLAY PIVOT (BRONZE)  
140277 HINGE, AL CONT 1.5"X 17" BLK  
1851055 PULL, PUSH-BUTTON KNOB W/OVAL ROSETTE BLK  
1547272 SLIDE ASSY, DRAWER SLIDE 18" ACCURIDE  
1816919 MONITOR, CO DETECTOR WHT CMD-4-RLY  
1816920 PLATE, CO MONITOR BCKNG WHT CMD-4M-RLY-FCB  
(HULL# 571 -> UP)  
1816921 PLATE, CO MONITOR BCKNG CMD-4M-RLY-FCB W/CONN  
(HULL# 501 -> 570)

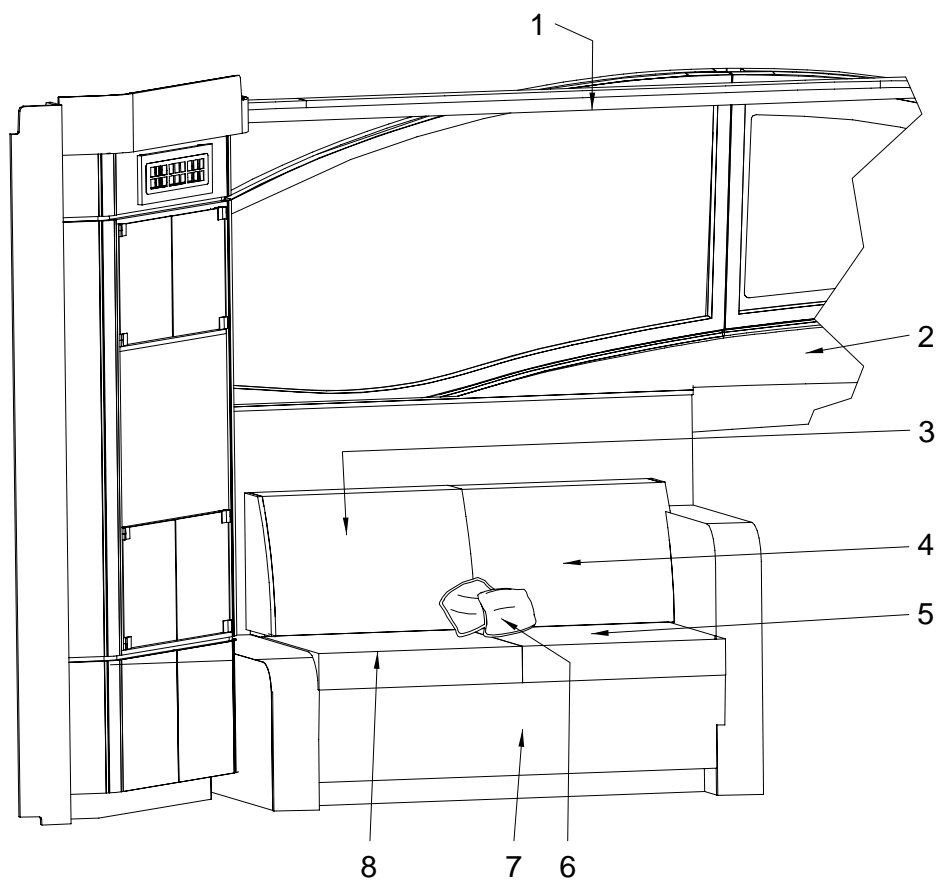
## NOT SHOWN ELECTRICAL

1816872 MODULE, EDS LCD W/TCHSCRN 10.4"  
694307 SPLITTER, TV/FM 4-WAY  
1816869 BEZEL, EDS TPS/TPD BRSHD NCKL  
1749388 GALVANIC ISOLATOR, PROSAFE 30AMP (ISOL ONLY)  
1738689 SPACER, IGNITION SWITCH (ASAHI DENSO)  
1758298 ISOLATOR, 2-CHANNEL GROUND LOOP (RCA)  
893248 RECEPTACLE, IDEA-SERIES DBL GREY

## VACUUM SYSTEM

1690898 VACUUM, CENTRAL SYS 110V WET/DRY #35  
1788977 VACUUM, CENTRAL SYS 220V W/INST KIT #35  
1787507 RECEPTACLE, DUPLEX BRN 15A LVT  
1787508 COVER PLATE, SGL DUPLEX RECEPT BRN LVT  
192492 CONN, ROMEX PLAS 1/2"  
893263 SWITCH, BLANK IDEA-SERIES GREY  
627737 BOX, RECEPTACLE/SWITCH PVC 1-GANG DEEP  
688721 COVER, CUSTOM CLAMSHHELL (ABS/DR)  
814087 GROMMET, O/B MOTOR WELL FLANGE BLK PLAS  
774679 VACUUM, HOSE 40' VINYL GREY 2"ID FLEX  
770354 VACUUM, HOSE 20' W/ATTACHMENTS  
902064 RECEPTACLE, SGL GERMAN STD GREY

SALON (UPHOLSTERY) PORT VIEW



**SALON (UPHOLSTERY) PORT VIEW**

1	1851060	BLINDS, 36DB-07 SLN PRT AFT DK ARTISAN 1"
	1851061	BLINDS, 36DB-07 SLN PRT FWD DK ARTISAN 1"
	1819829	BLINDS, 36DB-06 SLN PRT FWD CHERRY WOOD 1" (LIGHT CHERRY FINISH)
	1819830	BLINDS, 36DB-06 SLN PRT AFT CHERRY WOOD 1" (LIGHT CHERRY FINISH)
2	1878344	36DB 07,P/NL,SLN PRT SIDE
3	1878345	36DB 07,B/R,SOFA AFT SLN
	1878346	36DB 07,B/R SKN,SOFA AFT SLN
4	1878347	36DB 07,B/R,SOFA FWD SLN
	1878348	36DB 07,B/R SKN,SOFA FWD SLN
5	1878349	36DB 07,CUSH,SOFA FWD SLN
	1878350	36DB 07,CUSH SKN,SOFA FWD SLN
6	1831446	PILLOW PKG, 2007 SPYACHT PKGA SLN (2) (INTERIOR A)
	1831451	PILLOW PKG, 2007 SPYACHT PKGB SLN (2) (INTERIOR B)
	1831455	PILLOW PKG, 2007 SPYACHT PKGC SLN (2) (INTERIOR C)
	1831496	PILLOW PKG, 2007 SPYACHT PKGD SLN (2) (INTERIOR D)
	1806021	PILLOW PKG, 2006 SPYACHT PKGE SLN (2) (INTERIOR E)
	1805781	PILLOW PKG, 2006 YACHT INT5 SLN (3) (NEUTRAL PILLOW PACKAGE)
7	1878351	36DB 07,BASE, PRT SLN
8	1878352	36DB 07,CUSH,SOFA PRT SLN
	1878353	36DB 07,CUSH SKN,SOFA PRT SLN

**ACCENT VINYL**

	1180744	VINYL, ULTRALTHR PECAN 3778 (INTERIOR A, C, D)
	1799491	VINYL, ULTRALTHR PECAN 1/4"FB (INTERIOR A)
	1767435	VINYL, ULTRALTHR WALNUT 3777 (INTERIOR B)
	1802281	VINYL, ULTRALTHR WALNUT 1/4"FB (INTERIOR B)
	1228352	VINYL, ULTRALTHR MILKWEED #3455 (INTERIOR E)
	1816672	VINYL, ULTRALTHR MILKWEED 1/4"FB (INTERIOR E)
	1004068	VINYL, ULTRALTHR PAPHYRUS #1256 (INTERIOR E)

**CARPET**

	1835667	CARPET, INT 44 OZ TOAST 6'W 100% BCF NYLON
	1467182	CARPET, INT 44 OZ WHEATON 6'W 100% BCF NYLON (WHEATON CARPET COLOR - OPTIONAL)

**CURTAINS**

	1819341	CURTAIN, 36DB-07 PKGA-FISHNET (INTERIOR A)
	1836908	CURTAIN, 36DB-07 PKGB-MESA/MUSLIN (INTERIOR B)
	1836909	CURTAIN, 36DB-07 PKGC-GLAMOUR/HONEY (INTERIOR C)
	1836910	CURTAIN, 36DB-07 PKGD-CANTONESE BAMBOO CAMEL (INTERIOR D)
	1819337	CURTAIN, 36DB-06 PKGE-MOREHD/PRL (INTERIOR E)

**FOAM**

	1799865	FOAM, P/C 36DB-06 PRT SALON SOFA
	1849591	FOAM, P/C 36DB-07 INT ACCENT MUFFS

**HEADLINER**

	1142165	VINYL, ALLANTE II WHT SAND EXP FLAT (INTERIOR A, E)
	1793493	VINYL, ALLANTE II WHITE SAND EXP 1/4" F/B DOW (INTERIOR A, E)
	1079797	VINYL, ALLANTE II CHAMPAGNE EXP FLAT (INTERIOR B, C, D)

**NOT SHOWN**

	268466	FABRIC, DYMETROL
--	--------	------------------

**SOFA**

	1765840	VINYL, ULTRALTHR BRISA DESERT CLAY (INTERIOR A)
	1792325	VINYL, ULTRALTHR BRISA SAFARI 3146 (INTERIOR B)

**SOFA (continued)**

	1764814	VINYL, ULTRALTHR DISTRESSED LASSO FLAT (INTERIOR C, D)
	1228352	VINYL, ULTRALTHR MILKWEED #3455 (INTERIOR E)

**SOFA / SALON / GALLEY ACCENTS**

	1808976	FABRIC, RAFFIA RATTAN/LT BROWN (INTERIOR A)
	1767435	VINYL, ULTRALTHR WALNUT 3777 (INTERIOR B)
	1764814	VINYL, ULTRALTHR DISTRESSED LASSO FLAT (INTERIOR C, D)
	1228352	VINYL, ULTRALTHR MILKWEED #3455 (INTERIOR E)

**SPEAKER FABRIC**

	931501	FABRIC, SPKR CLOTH CREPE SAND #17027 1/8"FB
--	--------	---

**STORAGE & BUNK TOPS**

	1128487	FABRIC, GEOMETRIC STRAW (NDLPNCH) W/BACK
--	---------	--

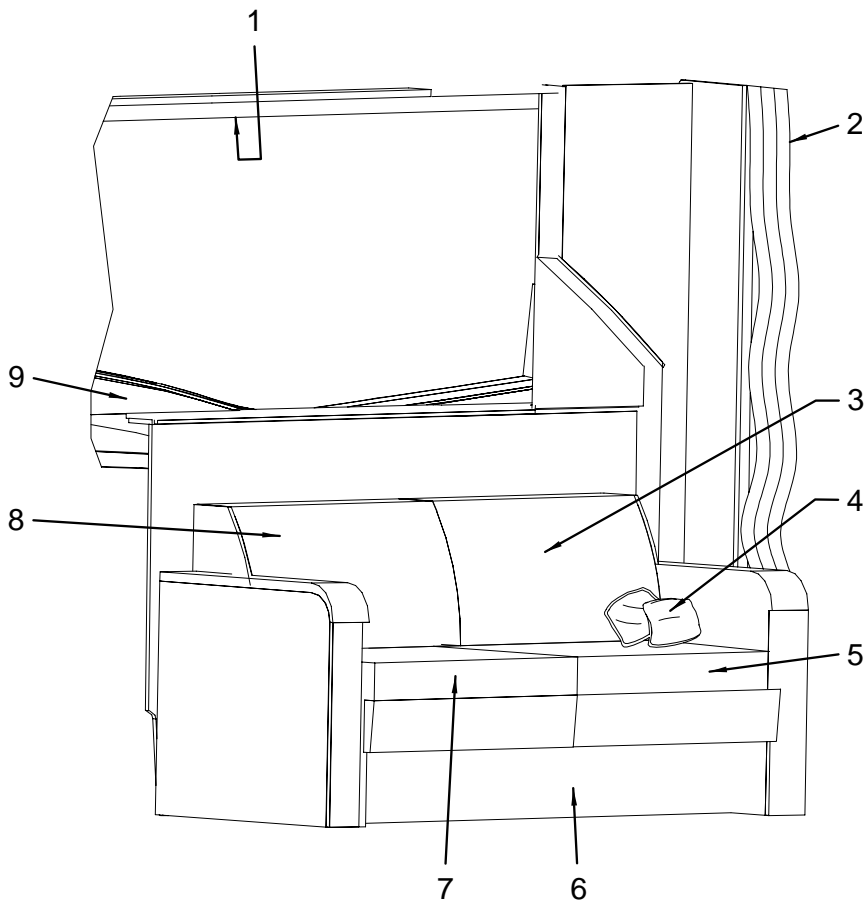
**VELCRO**

	1286426	VELCRO, DUAL LOCK CLR 1"X 50YD W/ADH BACK
	178517	VELCRO, LOOP WHT 2"

**VINYLS**

	989426	VINYL, ALLANTE II BLK EXP FLAT (TRIM)
--	--------	--

SALON (UPHOLSTERY) STARBOARD VIEW



**SALON (UPHOLSTERY) STARBOARD VIEW**

1	1851063	BLINDS, 36DB-07 SLN STB AFT DK ARTISAN 1"
	1851065	BLINDS, 36DB-07 SLN STB FWD DK ARTISAN 1"
	1819831	BLINDS, 36DB-06 SLN STB FWD CHERRY WOOD 1" (LIGHT CHERRY FINISH)
	1819832	BLINDS, 36DB-06 SLN STB AFT CHERRY WOOD 1" (LIGHT CHERRY FINISH)
2	1819341	CURTAIN, 36DB-07 PKGA-FISHNET (INTERIOR A)
	1836908	CURTAIN, 36DB-07 PKGB-MESA/MUSLIN (INTERIOR B)
	1836909	CURTAIN, 36DB-07 PKGC-GLAMOUR/HONEY (INTERIOR C)
	1836910	CURTAIN, 36DB-07 PKGD-CANTONESE BAMBOO CAMEL (INTERIOR D)
	1819337	CURTAIN, 36DB-06 PKGE-MOREHD/PRL (INTERIOR E)
3	1878354	36DB 07,B/R,SOFA AFT SLN
	1878355	36DB 07,B/R SKN,SOFA AFT SLN
4	1831446	PILLOW PKG, 2007 SPYACHT PKGA SLN (2) (INTERIOR A)
	1831451	PILLOW PKG, 2007 SPYACHT PKGB SLN (2) (INTERIOR B)
	1831455	PILLOW PKG, 2007 SPYACHT PKGC SLN (2) (INTERIOR C)
	1831496	PILLOW PKG, 2007 SPYACHT PKGD SLN (2) (INTERIOR D)
	1806021	PILLOW PKG, 2006 SPYACHT PKGE SLN (2) (INTERIOR E)
	1805781	PILLOW PKG, 2006 YACHT INT5 SLN (3) (NEUTRAL PILLOW PACKAGE)
5	1878356	36DB 07,CUSH,SOFA AFT SLN
	1878357	36DB 07,CUSH SKN,SOFA AFT SLN
6	1878358	36DB 07,BASE SKN,AFT SLN
7	1878359	36DB 07,CUSH,SOFA FWD SLN
	1878360	36DB 07,B/R SKN,SOFA FWD SLN
8	1878361	36DB 07,B/R,SOFA FWD SLN
	1878362	36DB 07,B/R SKN,SOFA FWD SLN
9	1878367	36DB 07,PNL,SLN STB SIDE

**ACCENT VINYL**

1180744	VINYL, ULTRALTHR PECAN 3778 (INTERIOR A, C, D)
1767435	VINYL, ULTRALTHR WALNUT 3777 (INTERIOR B)
1228352	VINYL, ULTRALTHR MILKWEED #3455 (INTERIOR E)

**CARPET**

1835667	CARPET, INT 44 OZ TOAST 6'W 100% BCF NYLON
1467182	CARPET, INT 44 OZ WHEATON 6'W 100% BCF NYLON (WHEATON CARPET COLOR - OPTIONAL)

**CURTAINS**

1819341	CURTAIN, 36DB-07 PKGA-FISHNET (INTERIOR A)
1836908	CURTAIN, 36DB-07 PKGB-MESA/MUSLIN (INTERIOR B)
1836909	CURTAIN, 36DB-07 PKGC-GLAMOUR/HONEY (INTERIOR C)
1836910	CURTAIN, 36DB-07 PKGD-CANTONESE BAMBOO CAMEL (INTERIOR D)
1819337	CURTAIN, 36DB-06 PKGE-MOREHD/PRL (INTERIOR E)

**FOAM**

1819392	FOAM, P/C 36DB-06 STB SALON SOFA
1849591	FOAM, P/C 36DB-07 INT ACCENT MUFFS

**HEADLINER**

1142165	VINYL, ALLANTE II WHT SAND EXP FLAT (INTERIOR A, E)
1793493	VINYL, ALLANTE II WHITE SAND EXP 1/4" F/B DOW (INTERIOR A, E)
1079797	VINYL, ALLANTE II CHAMPAGNE EXP FLAT (INTERIOR B, C, D)

**NOT SHOWN**

268466	FABRIC, DYMETROL
--------	------------------

**SOFA**

1765840	VINYL, ULTRALTHR BRISA DESERT CLAY (INTERIOR A)
---------	--

**SOFA (continued)**

1792325	VINYL, ULTRALTHR BRISA SAFARI 3146 (INTERIOR B)
1764814	VINYL, ULTRALTHR DISTRESSED LASSO FLAT (INTERIOR C, D)
1228352	VINYL, ULTRALTHR MILKWEED #3455 (INTERIOR E)

**SOFA / SALON / GALLEY ACCENTS**

1808976	FABRIC, RAFFIA RATTAN/LT BROWN (INTERIOR A)
1767435	VINYL, ULTRALTHR WALNUT 3777 (INTERIOR B)
1764814	VINYL, ULTRALTHR DISTRESSED LASSO FLAT (INTERIOR C, D)
1228352	VINYL, ULTRALTHR MILKWEED #3455 (INTERIOR E)

**SPEAKER FABRIC**

931501	FABRIC, SPKR CLOTH CREPE SAND #17027 1/8"FB
--------	---

**STORAGE & BUNK TOPS**

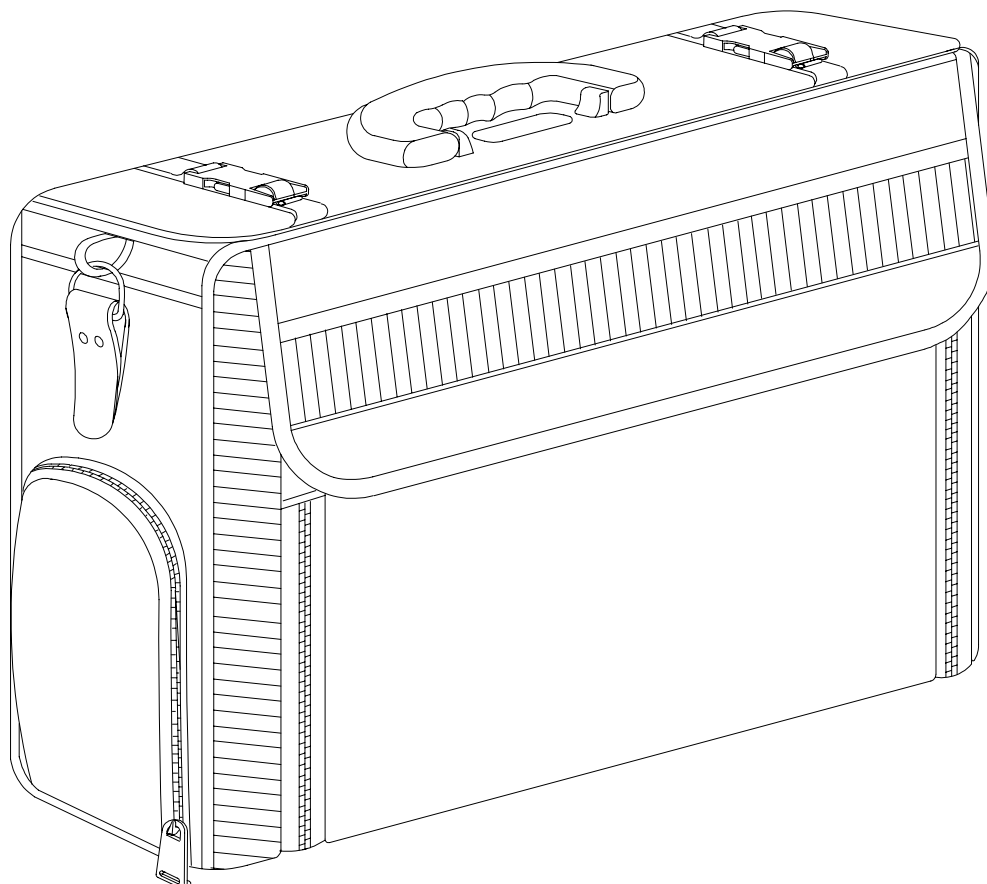
1128487	FABRIC, GEOMETRIC STRAW (NDLPNCH) W/BACK
---------	--

**VELCRO**

1286426	VELCRO, DUAL LOCK CLR 1"X 50YD W/ADH BACK
178517	VELCRO, LOOP WHT 2"

**VINYLS**

989426	VINYL, ALLANTE II BLK EXP FLAT (TRIM)
--------	--

**MULTI-INFO PACKET****MULTI-INFO PACKET****OWNERS PACKET**

1 1836825 PACKET, MULTI-INFO 36DB-07

**OWNERS PACKET CONTENTS**

140061 PLUG, DRAIN PLUG SNAPTITE 1/2"  
 203273 FORM, IN SERVICE CHECK LIST - SP YACHTS  
 764316 DOCUMENT, CANVAS LTD WARRANTY  
 798595 HARNESS, ACCY HATCH LIFT PIGTAIL  
 833749 FUSE BOX, SPARE W/6 ATC BLADE STYLE  
 865204 GUIDE, ABS/ACRYLIC CLEANING/REPAIR  
 954180 VIDEO, 97 OWNER ORIENTATION SPYCHT/YCHT NTSC  
 1411404 ENVELOPE, DEALER INFORMATION  
 1507912 CARD, PASSPORT TO SAVINGS  
 1507920 CARD, CARBON MONOXIDE WARNING  
 1507938 CARD, TALOR WINDSHIELD/GLASS CARE  
 1751550 CARD, CANVAS CARE & CLEANING MORBERN  
 1751553 BOOKLET, COAST GUARD FEDERAL REQUIREMENT  
 1751555 BOOKLET, 3M MAINTENANCE INSTRUCTION  
 1751559 CARD, CANVAS CARE & CLEANING SUNBRELLA  
 1751562 CARD, WARRANTY SUNBRELLA LIMITED  
 1751564 CARD, CANVAS CARE & CLEANING SEA RAY  
 1751623 CARD, MORBERN MELLOTECH MR/FR  
 1751624 BOOKLET, CARE & CLEANING ULTRALEATHER  
 1756042 CARD, WARRANTY - SPRT CRSR/SPRT YCHT/YCHT 04

**OWNERS PACKET CONTENTS (continued)**

1805468 CARD, LADDER MAINTENANCE  
 1818725 MANUAL, SRNIII OWNERS KIT  
 1818726 MANUAL, SRNIII SECOND STATION OWNERS KIT  
 (AUX. SEA RAY NAV.3 12.1 GPS / CHARTPLOTTER)

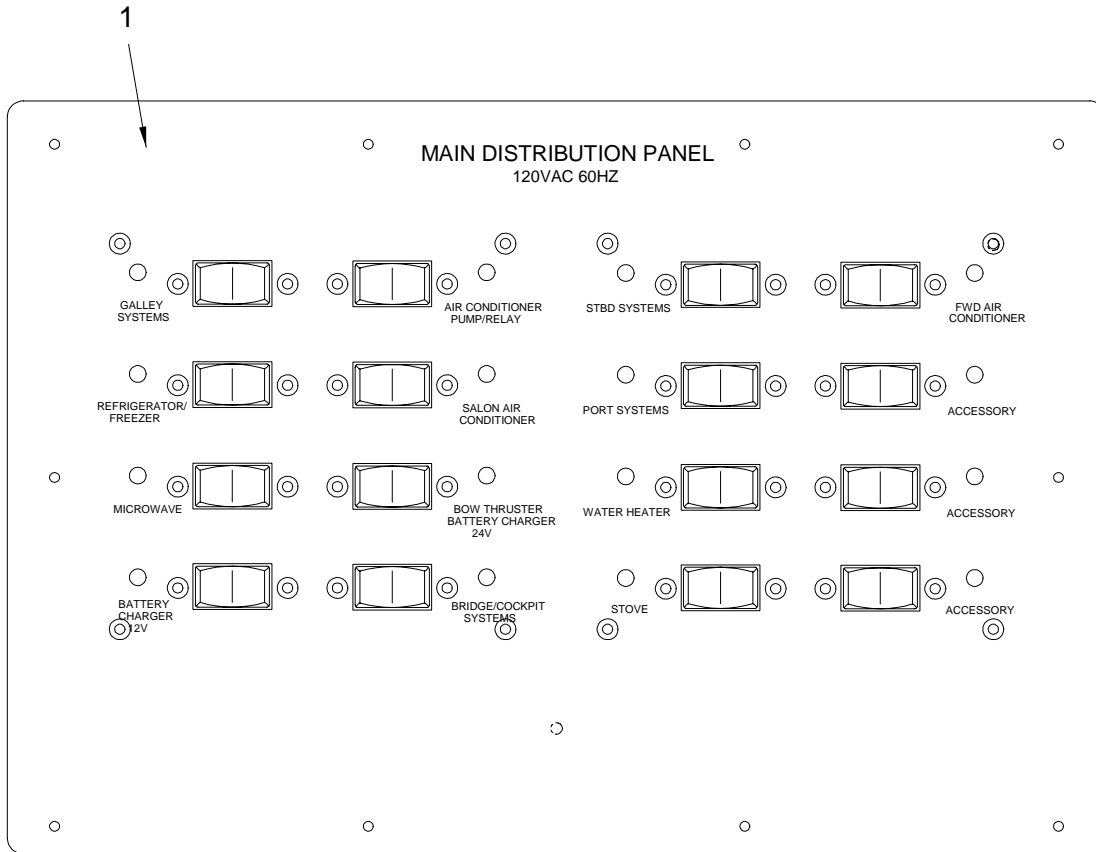
**OWNERS PACKET SUPPLIED BY PLANT**

184424 KEY RING, PLASTIC BUOY RED  
 (WATER DELIVERY-SAFETY PACKAGE AND FUEL OPTION)  
 186957 MILDEW DISC, 2.5 OZ.  
 187179 TAG, WARNING RED  
 187211 TAG, PLAIN GREEN  
 187237 TAG, WARNING ANTI-FREEZE  
 (WATER DELIVERY-SAFETY PACKAGE AND FUEL OPTION)  
 187245 LABEL, BOATMAN'S CHECK LIST  
 434191 CARD, NAVIGATIONAL INTERNATIONAL  
 (EXPORT PACKING-INTERNATIONAL OPTION)  
 522599 KEY, DECK PLATE CAP  
 590778 TAG, WARNING SHIP BOAT WATER READY  
 (SHIP WATER READY OPTION)  
 800565 BOOKLET, BOATER'S GUIDE TO AC ELECTRICAL SYST  
 907808 CARD, WARRANTY DOUGLASS BATT ORIG EQUIP LTD  
 1091727 PACKET, OWNERS BRIEFCASE CANVAS BLK (STEBCO)  
 1691479 MANUAL, OWNERS - SEA RAY INT'L 12-LANGUAGE  
 (EXPORT PACKING-INTERNATIONAL OPTION)  
 1750454 DECAL, SEA RAY OWNERS CLUB (NBOA) RV

**OWNERS PACKET SUPPLIED BY PLANT (continued)**

1766115 PACKET, SIRIUS WELCOME KIT  
1880469 CHECK LIST, INT'L DISCLOSURE SPYCHT/YCHT '06  
(INTERNATIONAL IN-SERVICE CHECKLIST)

**MAIN DISTRIBUTION PANEL (120V)**



**MAIN DISTRIBUTION PANEL (120V)**

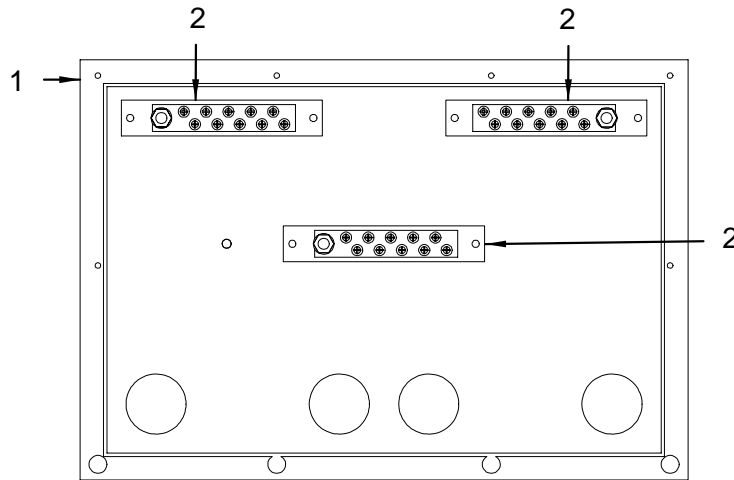
- 1 1816906 PANEL, 36DB-06 MAIN DIST 120VAC W/EDS
- 1799258 PANEL, BLANK:36DB-06 MAIN DIST 120VAC  
(BLANK PANEL FOR 1816906)

**NOT SHOWN**

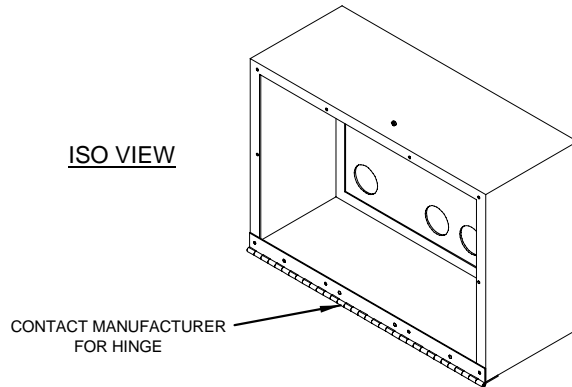
- 1848685 SUPPORT, SS 36DB-07 MDP



**MAIN DISTRIBUTION PANEL ENCLOSURE**



ISO VIEW



**MAIN DISTRIBUTION PANEL ENCLOSURE**

- 1 1851044 PANEL, 36DB-07 MAIN DIST ENCL BOX  
(HULL# 553 -> UP)
- 1688683 PANEL, 390MY/390/420DA-04 MAIN DIST ENCL BOX  
(HULL# 501 -> 552)
- 2 1013614 BUSS BAR, DC GROUND 10-POSITION

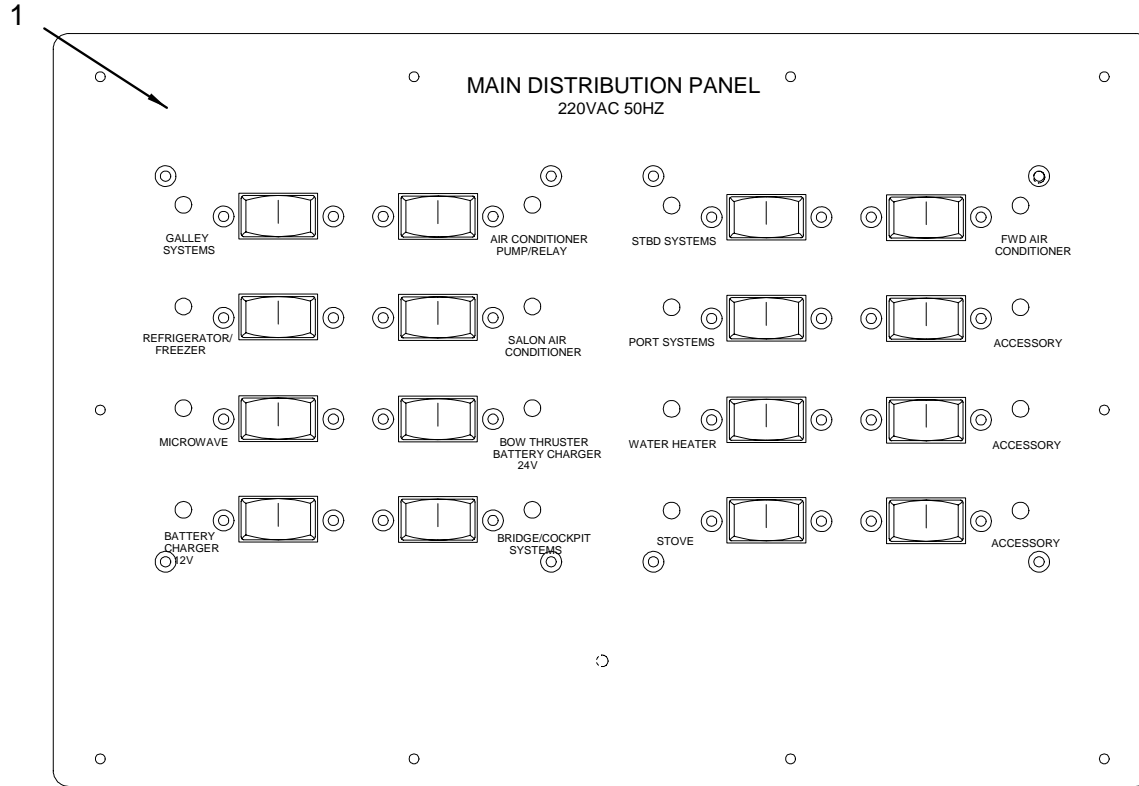
**ELECTRICAL**

- 1451459 CONN, BUSHING PLAS INSULATED 1.25" (WIRE)
- 517987 CONN, ROMEX METAL 1.25"

**NOT SHOWN**

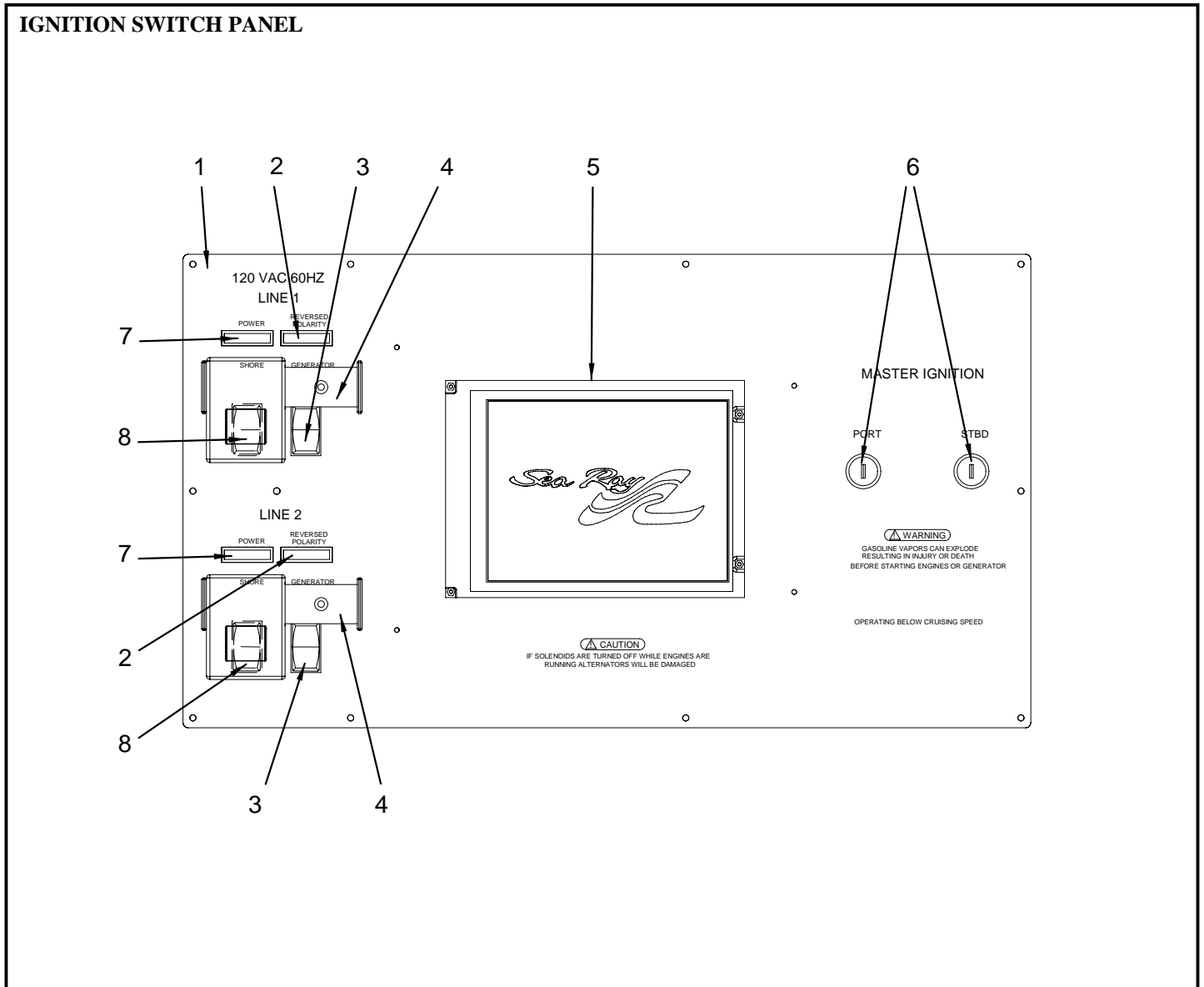
- 673780 BOOT, RED

**MAIN DISTRIBUTION PANEL (220V)**



**MAIN DISTRIBUTION PANEL (220V)**

- 1 1816905 PANEL, 36DB-06 MAIN DIST 220VAC W/EDS
- 1799257 PANEL, BLANK:36DB-06 MAIN DIST 220VAC  
(BLANK PANEL FOR 1816905)



**IGNITION SWITCH PANEL**

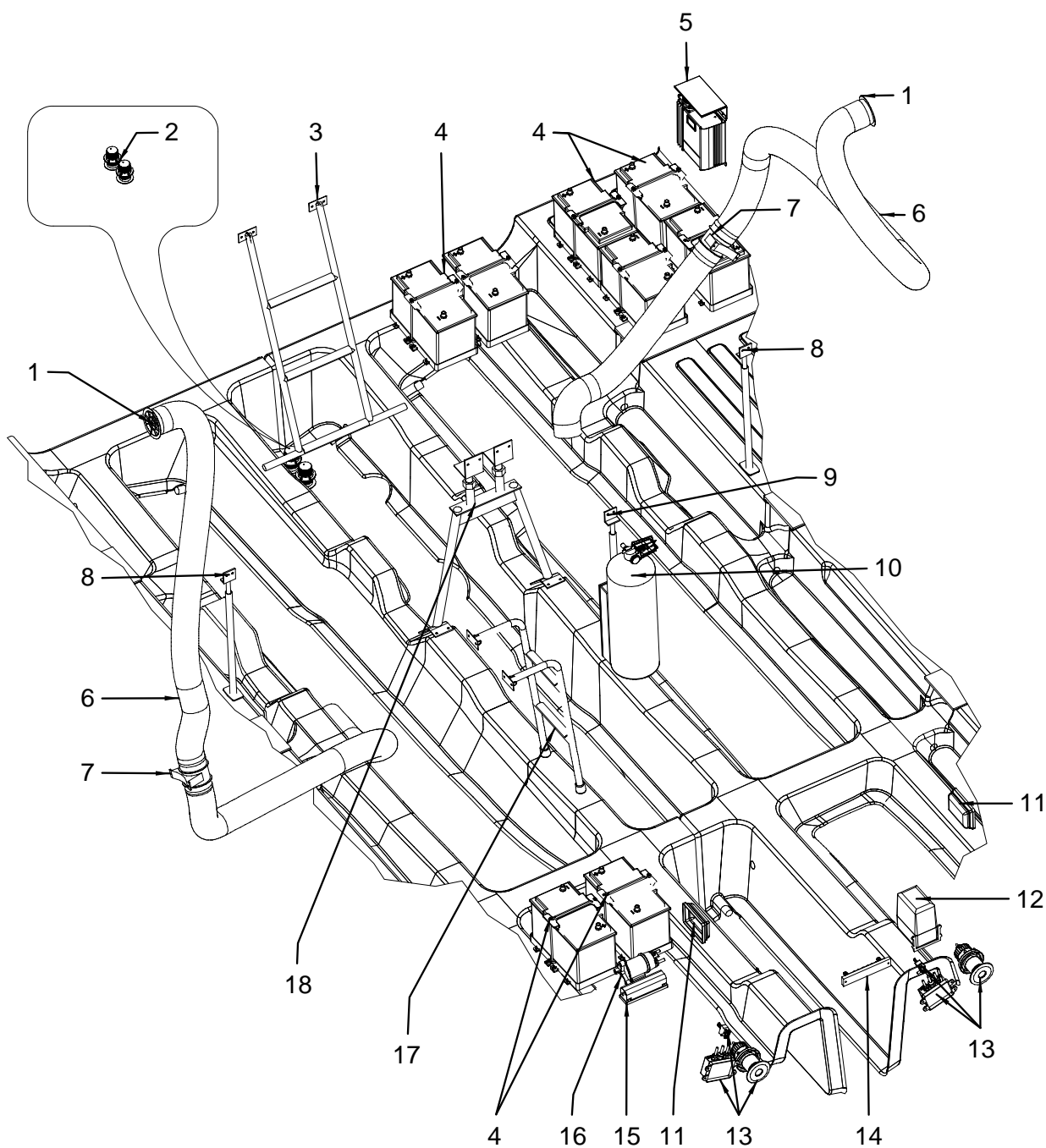
- 1 1816851 PANEL, BLANK:36DB-06 TRNSFR/IGN/EDS GAS 120V
- 1830985 PANEL, BLANK:36DB-06 TRNSFR/IGN/EDS DTS 120V
- 1820274 PANEL, BLANK:36DB-06 TRNSFR/IGN/EDS DSL 120V
- 1816849 PANEL, BLANK:36DB-06 TRNSFR/IGN/EDS GAS 220V
- 1830986 PANEL, BLANK:36DB-06 TRNSFR/IGN/EDS DTS 220V
- 1820275 PANEL, BLANK:36DB-06 TRNSFR/IGN/EDS DSL 220V
- 2 557611 LIGHT, POLARITY RED 125V
- 557629 LIGHT, POLARITY RED 220V
- 3 582445 BRKR/TOGGLE, 2-POLE AC MED DELAY 35A
- 4 1451525 SLIDE ASSY, SLIDE BAR MDP PANEL C-SERIES BRKR
- 5 1816872 MODULE, EDS LCD W/TCHSCRN 10.4"
- 6 1544188 SWITCH, KEY ASHI DENSO
- 1666171 KEY, MSTR IGN MDB PNL "3103"
- 1666197 KEY, MSTR IGN MDB PNL "3110"
- 1666205 KEY, MSTR IGN MDB PNL "3112"
- 1666213 KEY, MSTR IGN MDB PNL "3113"
- 1666239 KEY, MSTR IGN MDB PNL "3135"
- 1666254 KEY, MSTR IGN MDB PNL "3203"
- 1666262 KEY, MSTR IGN MDB PNL "3210"
- 1666270 KEY, MSTR IGN MDB PNL "3212"
- 1666288 KEY, MSTR IGN MDB PNL "3213"
- 1666296 KEY, MSTR IGN MDB PNL "3235"
- 1820272 SWITCH, IGN ASSY 3-POS (T-8.1 S DTS HORIZON (T-370PHP)MCM INBOARDS)
- 7 572529 LIGHT, POLARITY GRN 125V

- 7 557603 LIGHT, POLARITY GRN 220V
- 8 851295 BRKR/TOGGLE, 2-POLE AC MED DELAY 20A (10-32)

**NOT SHOWN**

- 1699538 PLUGS, DOMED HOLE 7/8" BLK
- 140624 LIGHT, INDICATOR RED 14V
- 1849200 LIGHT, W/INVERTER WIRE LAMP 12V 1FT

BILGE



**BILGE**

1	791749	VENT, PLAS GRILL 4" WHT
2	1795135	TRANSDUCER, NRTHSTR 491FF DEP/TEMP W/6'PGTAIL <b>(NORTHSTAR 491 FISHFINDER (6000/6100I ONLY))</b>
	1795499	TRANSDUCER, DEPTH/TEMP FOR DSM250 FISHFINDER <b>(RAYMARINE DSM 300 FISH FINDER)</b>
	1850447	CABLE, SEATALK 1.5 METER HIGH SPEED NETWORK <b>(RAYMARINE DSM 300 FISH FINDER)</b>
3	1817428	LADDER, BILGE SS 3-STEP 36"X 12"STATIONARY
4	1186337	BATTERY, GROUP 31 DEEP CYCLE
	130435	HOLDER, BATTERY GR27 BLK NYLON W/SS
	136044	CABLE, BATT BLK #4/0AWG
	130781	CABLE, BATT RED #2AWG
	130799	CABLE, BATT BLK #2AWG
	136051	CABLE, BATT RED #4/0AWG
	1576347	CABLE, BATT RED/VIO #2AWG
	1687656	BOOT, BATTERY CABLE 4/0 RED 11/16" T-LUG
	1687657	BOOT, BATTERY CABLE 4/0 BLK 11/16" T-LUG
	650499	BOOT, BATTERY CABLE 4/0 RED 11/16"
	650507	BOOT, BATTERY CABLE 4/0 BLK 11/16"
	1751179	BOOT, BATTERY THREADED STUD COVER RED #458
	140509	BOOT, ENG STARTER RED
5	1684145	CONVERTER, 40AMP 120VAC/12VDC
6	1499383	HOSE, P/C VENT/BLOWER 4"X 126" EX HVY DTY
7	1794013	BLOWER, BILGE 4" ATTWOOD W/CONN
8	1816180	SUPPORT, LINER CKPT 20" TUBE ADJ SS
9	1817974	SUPPORT, LINER 25.5" TUBE W/BRKT
10	598169	HALON CABLE, MANUAL PULL CABLE 18'
	1266790	FIRE EXT SYS, FM200 500CF GAS/DSL-MAN/AUTO <b>(FIRE SUPPRESSION FM 200 - INTERNATIONAL) (C E OPTION GROUP)</b>
11	1771064	LIGHT, SGL DOME FLSH MNT PLS WHT N/SW W/CONN
	604801	BULB, DOME LIGHT 12V <b>(PART OF 1771064)</b>
12	268508	TRIM TAB, HYD PUMP KIT W/3"NIPPLE
13	1872404	LIGHT, UNDRWTR SV20/12V N/HRNS
	1836602	RELAY, HELLA SEALED 5 POS
	522813	BOX, RECEPTACLE PVC SURFACE MOUNT CARLON
	147397	COVER PLATE, CARLON BOX SGL
	1478841	CONN, NYLON 1/2" ROUND SKIN TOP WATERPROOF
	1836599	CONN, RELAY HOLDER 5 POS
14	1138957	BUSS BAR, 12-GANG 2SGL POST 5/16" STUD 250AMP
15	987446	FUSE BLOCK, BLADE TYPE ANL350/500
16	980219	SOLENOID, MAGNET LATCHING 12V 200A/1200A
17	1817429	LADDER, BILGE SS 2-STEP 28"X 10"STATIONARY
18	1884088	SUPPORT, LINER CKPT 26 5/8" A-FRM ADJ SS REV1 <b>(HULL# 567 -&gt; UP)</b>
	1817197	SUPPORT, LINER CKPT 26 5/8" A-FRAME ADJ SS <b>(HULL# 501 -&gt; 566)</b>

**HARNESSES**

	1610427	HARNESSES, MERC S-CRFT STEERING SNSR ASSY
	1793838	HARNESSES, MERC DUAL ENGINE INST ADP
	1802107	HARNESSES, ENG MERC S-CRFT 14 PIN 30'
	1804875	HARNESSES, MERC CAN 1 LINK
	1772366	HARNESSES, ENG MERC DATA 14-PIN DTS 30' <b>(LOWER CONTROL STATION) (T-8.1 S DTS HORIZON (T-370PHP)MCM INBOARDS)</b>
	1790090	ACC PART, EXT HARNESSES 15' MERC KEY SW <b>(T-8.1 S DTS HORIZON (T-370PHP)MCM INBOARDS)</b>
	1795136	HARNESSES, NRTHSTR 491FF TRANS DEP/TEMP 30' <b>(NORTHSTAR 491 FISHFINDER (6000/6100I ONLY))</b>

**HOSE**

	1499359	HOSE, P/C VENT/BLOWER 4"X 78" EX HVY DTY
	124412	HOSE, PVC CLEAR/WHT W/RED TRACER 5/8"
	124412	HOSE, PVC CLEAR/WHT W/RED TRACER 5/8"
	123919	HOSE, CORR BILGE 1.5" BLK
	1847454	HOSE, ZURN FLEX 1/2"X 12" W/1/2" FPT W/NUTS

**INSULATIONS**

	770404	INSULATION, 2" ACOUSTICAL 4.5'X 6' ALUM
--	--------	---

**LABELS**

	1743616	LABEL, UNPLUG SHORE POWER WARNING
	1744737	LABEL, DISCHARGE OF OIL (LEXAN)
	1745512	LABEL, STAY CLEAR OF MOVING PARTS ON ENGINE
	1745513	LABEL, WARNING LEAKING FUEL
	1746895	LABEL, CHECK BATTERY CELL FLUID LEVEL
	1751885	LABEL, CAUTION: PRIOR TO TOWING VESSEL
	1819520	LABEL, PRT MAIN EDS (LEXAN)
	1819521	LABEL, STB MAIN EDS (LEXAN)

**LABELS (continued)**

	1819522	LABEL, CABIN MAIN (LEXAN)
	1819523	LABEL, BILGE MAIN (LEXAN)
	1819524	LABEL, BRIDGE/CKPT MAIN (LEXAN)
	1819525	LABEL, ELECTRONICS MAIN (LEXAN)
	1819526	LABEL, STEREO MAIN (LEXAN)
	1819527	LABEL, PWR STEERING (LEXAN)
	1744740	LABEL, 2"X 1/2" PRT <b>(T-CMD QSB 380 (T-364 PHP) DIESEL INBOARDS)</b>
	1743511	LABEL, 2"X 1/2" STB <b>(T-CMD QSB 380 (T-364 PHP) DIESEL INBOARDS)</b>
	1849337	LABEL, BATTERY PLACEMENT 36DB STB SIDE

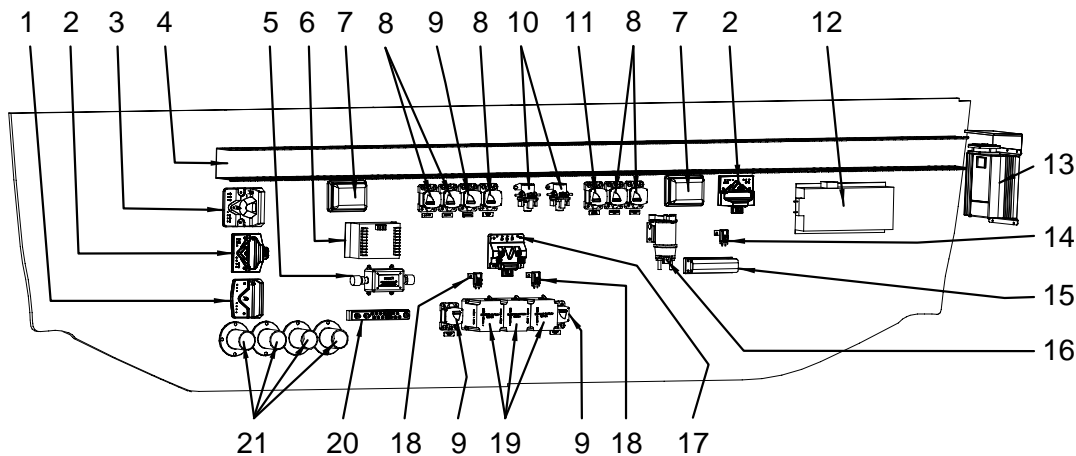
**NOT SHOWN**

	1051705	COVER BASE, PLAS DUCT WIRING CVR 4"X 6"WHT
	1248335	COVER BASE, PLAS DUCT WIRING 4"X 4"X 6' WHT
	1690371	ACC PART, MERC S-CRFT TRNS W/19" NYL DEP/TEMP
	170415	ELBOW, RED BRASS 90DEG 1"MPT X 1.25"BARB
	1850225	PAD, VIBRATION P/C 3"X 6.5" A-FRAME
	1847452	PLATE, HIGH WTR PUMP ALARM
	1689322	TEE, UNIFLEX PLAS 1/2"SW/FM 1/2"MPT/MPT STACK
	170431	ELBOW, RED BRASS 45DEG 1.25"MPT X 1.5"BARB <b>(MACERATOR W/ SEACOCK INTERLOCK SYSTEM)</b>
	1766964	EYE, STRAP EYE TIE-DOWN "STAMPED" SS <b>(MACERATOR W/ SEACOCK INTERLOCK SYSTEM)</b>
	255158	BUSHING, BRZ 1.25"FPT X 1.5"MPT <b>(MACERATOR W/ SEACOCK INTERLOCK SYSTEM)</b>
	1749578	COVER, ABS TERM BLOCK 4-POS BLK
	1875838	CAPACITOR, TRIM TAB INTERFACE

**SPLIT CONDUIT**

	1501840	HOSE, CONDUIT/SPLIT 1" FLAME RETARDANT
	1501857	HOSE, CONDUIT/SPLIT 1.5" FLAME RETARDANT
	1501824	HOSE, CONDUIT/SPLIT 3/4" FLAME RETARDANT
	1501832	HOSE, CONDUIT/SPLIT 3/8" FLAME RETARDANT

**BILGE (FORWARD VIEW)**



**BILGE (FORWARD VIEW)**

- 1 1814969 MODULE, EDS SOLENOID SWITCHING
- 2 1814360 MODULE, EDS 2CH-5A DUAL REVERSING
- 3 1814358 MODULE, EDS 6CH-15A
- 4 1051705 COVER BASE, PLAS DUCT WIRING CVR 4"X 6"WHT  
1248335 COVER BASE, PLAS DUCT WIRING 4"X 4"X 6" WHT
- 5 522813 BOX, RECEPTACLE PVC SURFACE MOUNT CARLON  
147397 COVER PLATE, CARLON BOX SGL  
1376474 CONN, NYLON 1/2" FLAT CORD GRIP WATERPROOF  
1478841 CONN, NYLON 1/2" ROUND SKIN TOP WATERPROOF
- 6 1833637 FIRE EXT SYS, FE241(SR) 500CF MAN/AUTO  
1148857 HALON SYS, ENG INTRUPT/RESTRT 12V 5-CKT  
(T-CMD QSB 380 (T-364 PHP) DIESEL INBOARDS)
- 7 1771064 LIGHT, SGL DOME FLSH MNT PLS WHT N/SW W/CONN  
604801 BULB, DOME LIGHT 12V  
(PART OF 1771064)
- 8 1737008 BRKR/SWITCH, SURF MNT 187 50AMP 5000A INTRPT
- 9 1689289 BRKR/SWITCH, SURF MNT 187 100AMP 5000A INTRPT
- 10 644609 SOLENOID, MAGNET LATCHING 12V 100A/500A W/HWD
- 11 1737007 BRKR/SWITCH, SURF MNT 187 40AMP 5000A INTRPT
- 12 1742532 CONVERTER, 25AMP PROTECT-2425 24VDC  
(BOW THRUSTER)
- 13 1684145 CONVERTER, 40AMP 120VAC/12VDC  
1459643 CONVERTER, PROTECH 12V/40A 12/220VAC 50/60HZ
- 14 1765055 FUSE HOLDER, BLADE TYPE ACCY 25A BOW THRUSTER
- 15 987446 FUSE BLOCK, BLADE TYPE ANL350/500  
(BOW THRUSTER)

- 16 980219 SOLENOID, MAGNET LATCHING 12V 200A/1200A  
(BOW THRUSTER)
- 17 1814970 MODULE, EDS BILGE
- 18 706721 FUSE, BLADE TYPE ATC 1A
- 19 1815080 SOLENOID, LATCHING 12/24V 300A/1200A W/CONN  
1819221 BUSS BAR, COPPER PLATED BEP BATT SW JUMPER
- 20 1013622 BUSS BAR, POWER BAR DC 4-POSITION STUD
- 21 1791018 TUBING, EXH GLASS 2.5" X 7" UNPAINTED

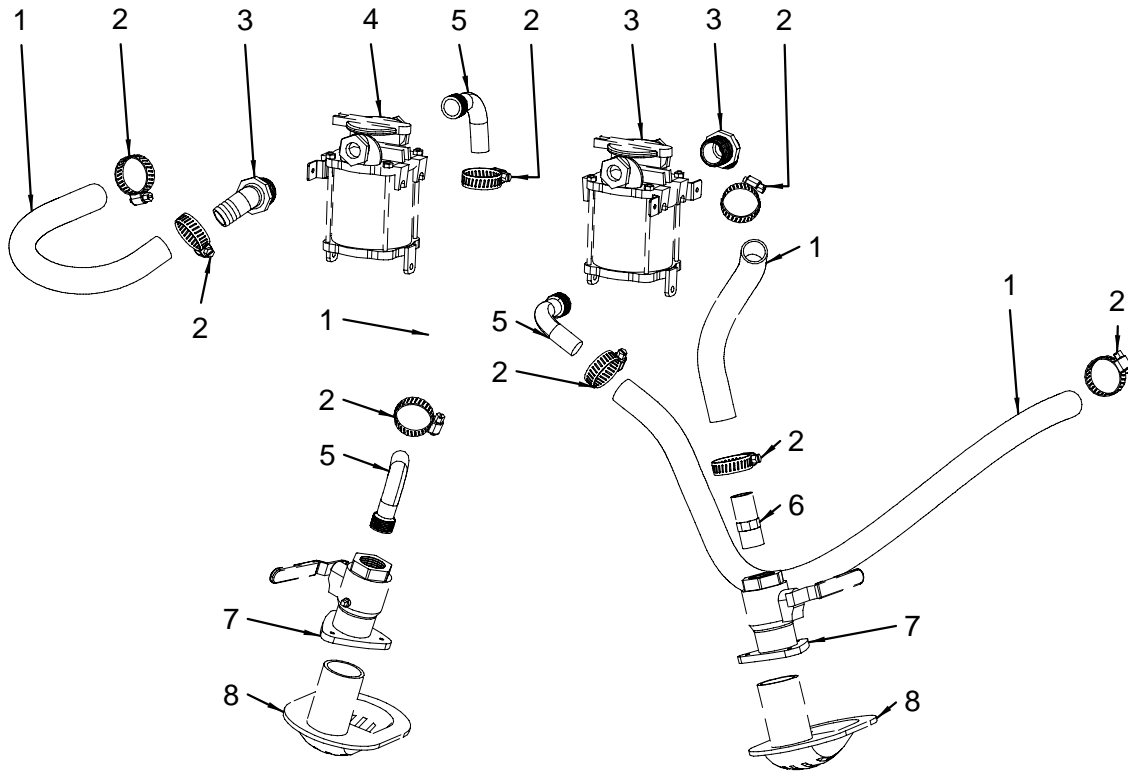
**LABELS**

- 1819527 LABEL, PWR STEERING (LEXAN)
- 1819526 LABEL, STEREO MAIN (LEXAN)
- 1819525 LABEL, ELECTRONICS MAIN (LEXAN)
- 1819524 LABEL, BRIDGE/CKPT MAIN (LEXAN)
- 1819523 LABEL, BILGE MAIN (LEXAN)
- 1819522 LABEL, CABIN MAIN (LEXAN)
- 1819521 LABEL, STB MAIN EDS (LEXAN)
- 1819520 LABEL, PRT MAIN EDS (LEXAN)
- 1743616 LABEL, UNPLUG SHORE POWER WARNING
- 1743511 LABEL, 2"X 1/2" STB  
(T-CMD QSB 380 (T-364 PHP) DIESEL INBOARDS)
- 1744740 LABEL, 2"X 1/2" PRT  
(T-CMD QSB 380 (T-364 PHP) DIESEL INBOARDS)

**NOT SHOWN**

1819529 BUSS BAR, DUAL BUSS 5 X8/32SCRW 100A TIN/COPR  
1801792 SWITCH, BATT ON/OFF BEP 275A  
(HULL# 577 -> UP)(ADDED TO THE BILGE COMPONENT BOARD)

**BILGE (ENGINE SET-UP/WATER INTAKE)**



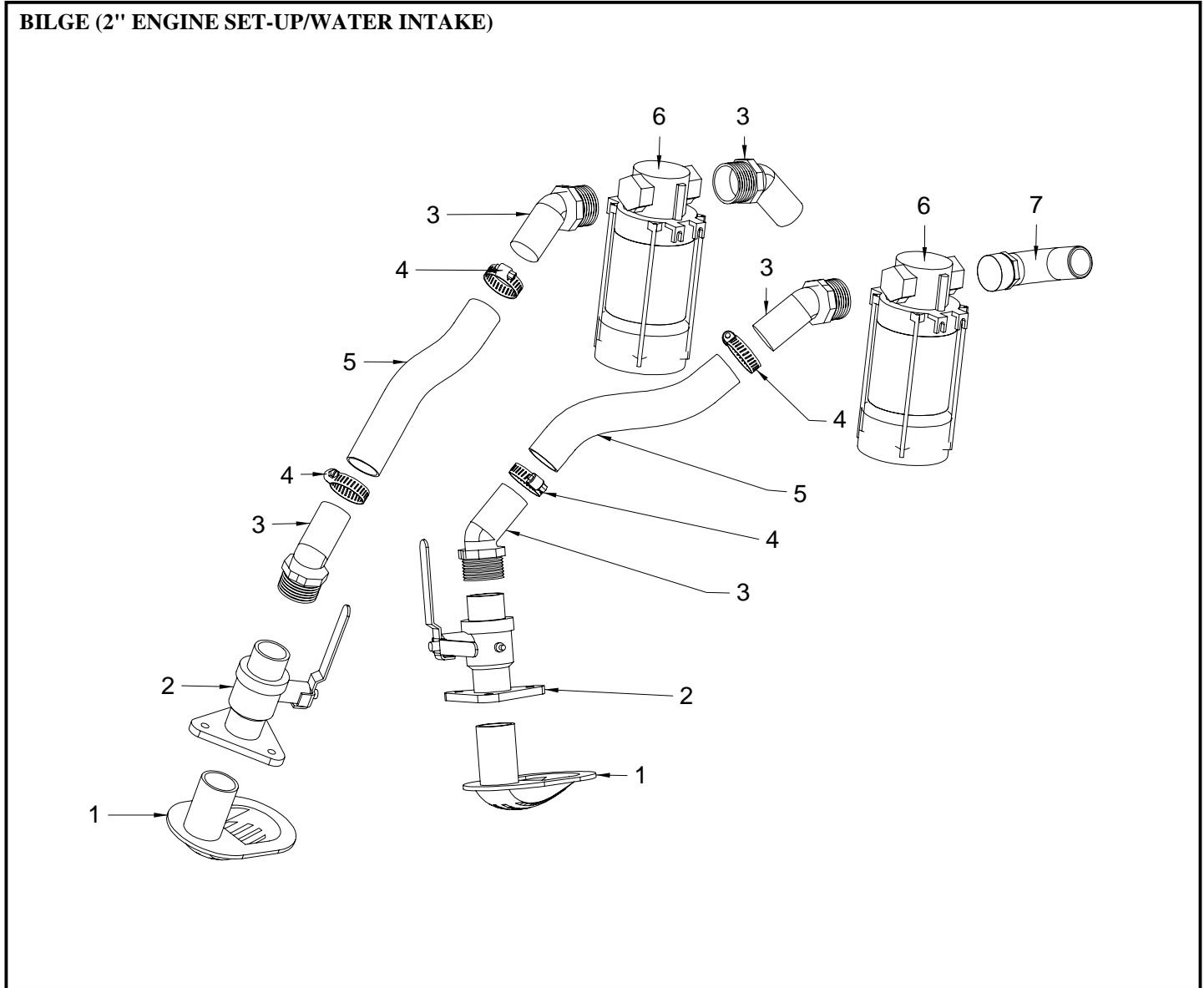
**BILGE (ENGINE SET-UP/WATER INTAKE)**

- 1 124206 HOSE, WATER INTAKE 1.25" HW
- 2 1155803 CLAMP, HOSE #6M175 1"-1.75" SS POWER GEAR
- 3 170407 ELBOW, RED BRASS 45DEG 1"MPT X 1.25"BARB
- 4 161521 STRAINER, BRZ WTR INTAKE 1"
- 1161777 STRAINER, BRKT ONLY 1"
- 5 144691 ELBOW, BRZ 90DEG 1.25"MPT X 1.25"BARB (PERKO)
- 6 518464 TAILPIECE, BRZ 1.25"MPT X 1.25"BARB
- 7 518449 SEACOCK, BRZ 1.25" W/O TAILPIECE
- 8 579912 PICK-UP, BRZ WATER INTAKE 1.25" W/O NUT

**NOT SHOWN**

- 1633882 ACC PART, TRUNION MOUNTING BRCKT (HULL# 572 -> UP)(MERCURY SUPPLIED TRANS. TRUNIO-MOUNTING PIN)

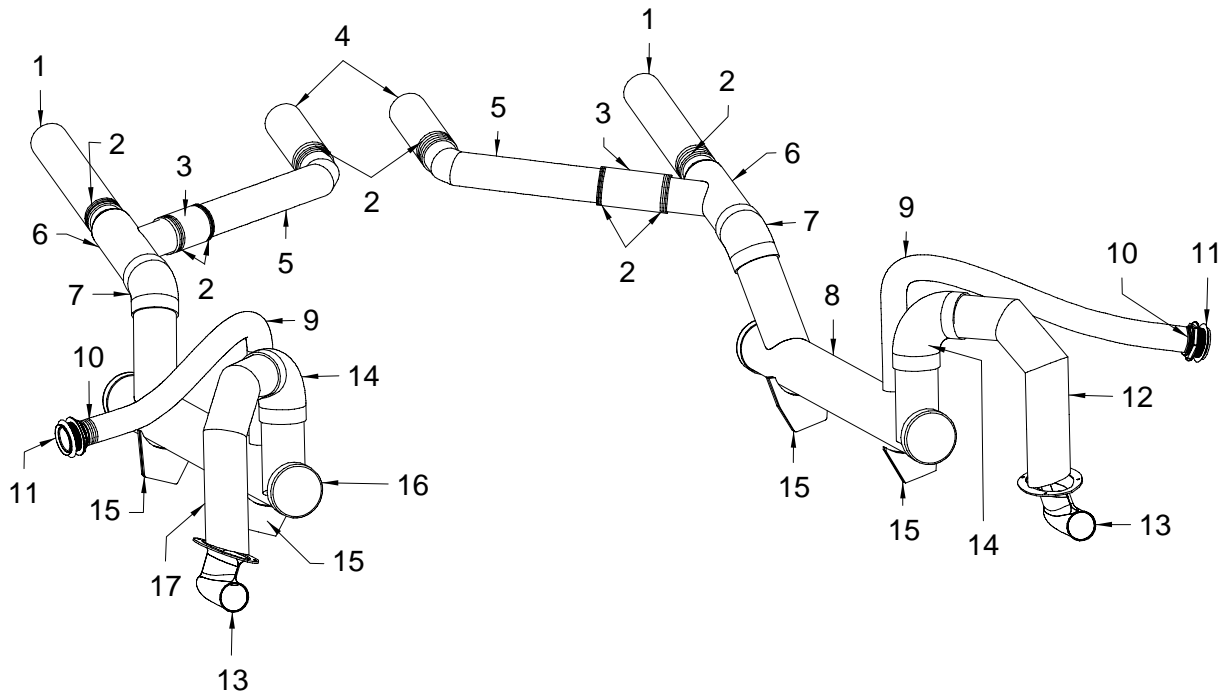




**BILGE (2" ENGINE SET-UP/WATER INTAKE)**

- 1 516617 PICK-UP, BRZ WATER INTAKE 2"
- 2 843854 SEACOCK, BRZ 2"
- 3 755934 ELBOW, BRZ 45DEG 2"MPT X 2"BARB
- 4 256719 CLAMP, HOSE #32 1 9/16"-2.5" SS .505
- 5 1743309 HOSE, WATER INTAKE 2" HVY DTY (CORRUG)
- 6 680447 STRAINER, BRZ WATER INTAKE 2"
- 7 506931 ELBOW, RED BRASS 90DEG 2"MPT X 2"BARB

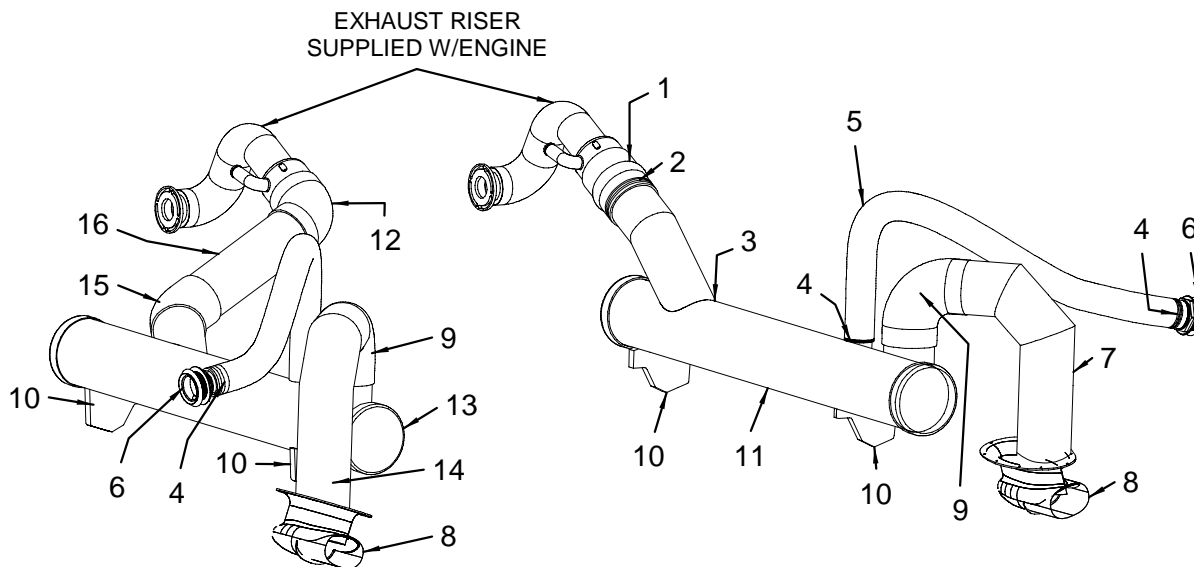
**BILGE (ENGINE EXHAUST SYSTEM) GAS**



**BILGE (ENGINE EXHAUST SYSTEM) GAS**

- 1 1309426 HOSE, EXHAUST P/C 4"ID X 26" SW
- 2 1155928 CLAMP, HOSE #6M450 3.75"-4 5/8" SS POWERGEAR
- 1116870 COVER, CLAMP END PROT 1/2"L X .020"X .592"RED
- 3 1309350 HOSE, EXHAUST P/C 4"ID X 8" SW
- 4 1309384 HOSE, EXHAUST P/C 4"ID X 16" SW
- 5 1797130 EXHAUST, EL 4"X 65DEG
- 6 1809426 COLLECTOR, EXH SYS 36DB-06 4"X 5" Y-PIPE
- 7 912345 EXHAUST, EL 5"X 45DEG RBR W/CLAMPS
- 8 1809503 COLLECTOR, EXH SYS 36DB-06 6"X 5" STB
- 9 968925 HOSE, EXHAUST 2.5" CORR
- 10 1155902 CLAMP, HOSE #6M300 2.25"-3 1/8" SS POWERGEAR
- 1116870 COVER, CLAMP END PROT 1/2"L X .020"X .592"RED
- 11 1761551 THRU-HULL, SS EXHAUST 2.5" X-LONG
- 1831304 THRU-HULL, FLAP ONLY SS EXH 2.5-3" X-LONG  
(PART OF 1761551)
- 12 1809429 EXHAUST, EL 5"OD X 90DEG OUTLET AFT STB
- 13 1215573 EXHAUST, BRZ U/W EXH OUTLET GAS 99
- 14 860064 EXHAUST, EL 5"X 90DEG RBR W/T-BOLT CLAMPS
- 15 1872814 SUPPORT, SPAR 36DB-07 EXHAUST GAS 2-PC
- 16 1797468 COLLECTOR, EXH SYS 36DB-06 6"X 5" PRT
- 17 1809428 EXHAUST, EL 5"OD X 90DEG OUTLET AFT PRT

**BILGE (ENGINE EXHAUST SYSTEM) DIESEL**



**BILGE (ENGINE EXHAUST SYSTEM) DIESEL**

- 1 1690802 EXHAUST, HOSE HUMP 6" BLUE VHT W/CLAMPS
- 2 1155944 CLAMP, HOSE #6M700 6.25"-7 1/8" SS POWERGEAR
- 1116870 COVER, CLAMP END PROT 1/2"L X .020"X .592"RED
- 3 1809519 COLLECTOR, EXH SYS 36DB-06 8"X 6" STB
- 4 1155902 CLAMP, HOSE #6M300 2.25"-3 1/8" SS POWERGEAR
- 1116870 COVER, CLAMP END PROT 1/2"L X .020"X .592"RED
- 5 968925 HOSE, EXHAUST 2.5" CORR
- 6 1761551 THRU-HULL, SS EXHAUST 2.5" X-LONG
- 1831304 THRU-HULL, FLAP ONLY SS EXH 2.5-3" X-LONG  
(PART OF 1761551)
- 1761644 THRU-HULL, SS EXHAUST 3" X-LONG
- 7 1809546 EXHAUST, EL 6"OD X 90DEG OUTLET AFT STB
- 8 1215581 EXHAUST, BRZ U/W EXH OUTLET DSL 99
- 9 828277 EXHAUST, EL 6"X 90DEG RBR HT W/T-BOLT CLAMPS
- 10 1850224 SUPPOT, SPAR 36DB-07 EXHAUST DSL 4-PC
- 11 1809519 COLLECTOR, EXH SYS 36DB-06 8"X 6" STB
- 12 1809521 EXHAUST, EL 6"X 68DEG BLUE VHT
- 13 1809520 COLLECTOR, EXH SYS 36DB-06 8"X 6" PRT
- 14 1809543 EXHAUST, EL 6"OD X 90DEG OUTLET AFT PRT
- 15 828285 EXHAUST, EL 6"X 45DEG RBR
- 16 1809522 TUBING, EXH GLASS 20"X 6"

**HARNESSES**

- 1781539 HARNES, PIGTAIL 5FT SRN II XDUCR INTERFACE

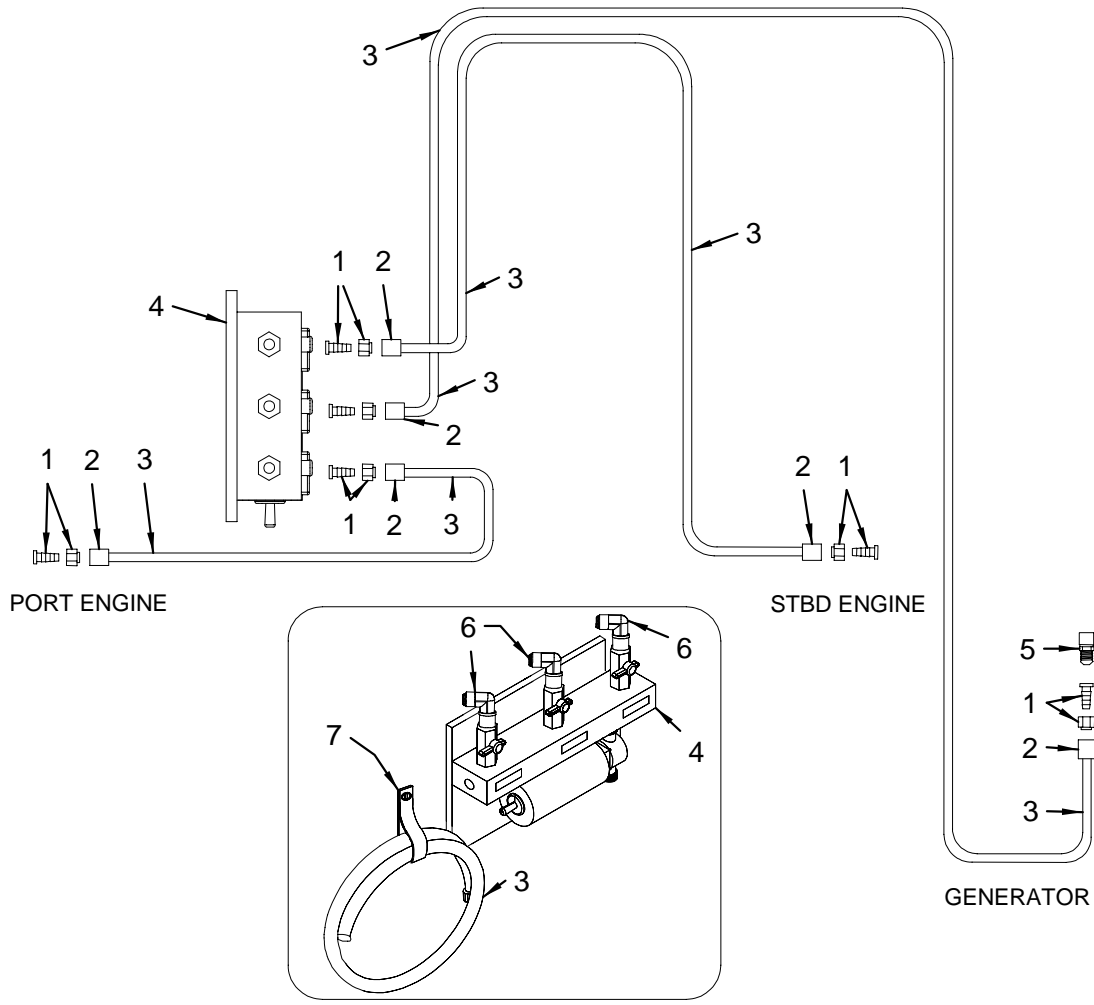
**HOSE**

- 968933 HOSE, EXHAUST 3" CORR

**NOT SHOWN**

- 869305 TAILPIECE, BRZ 2"MPT X 2"BARB

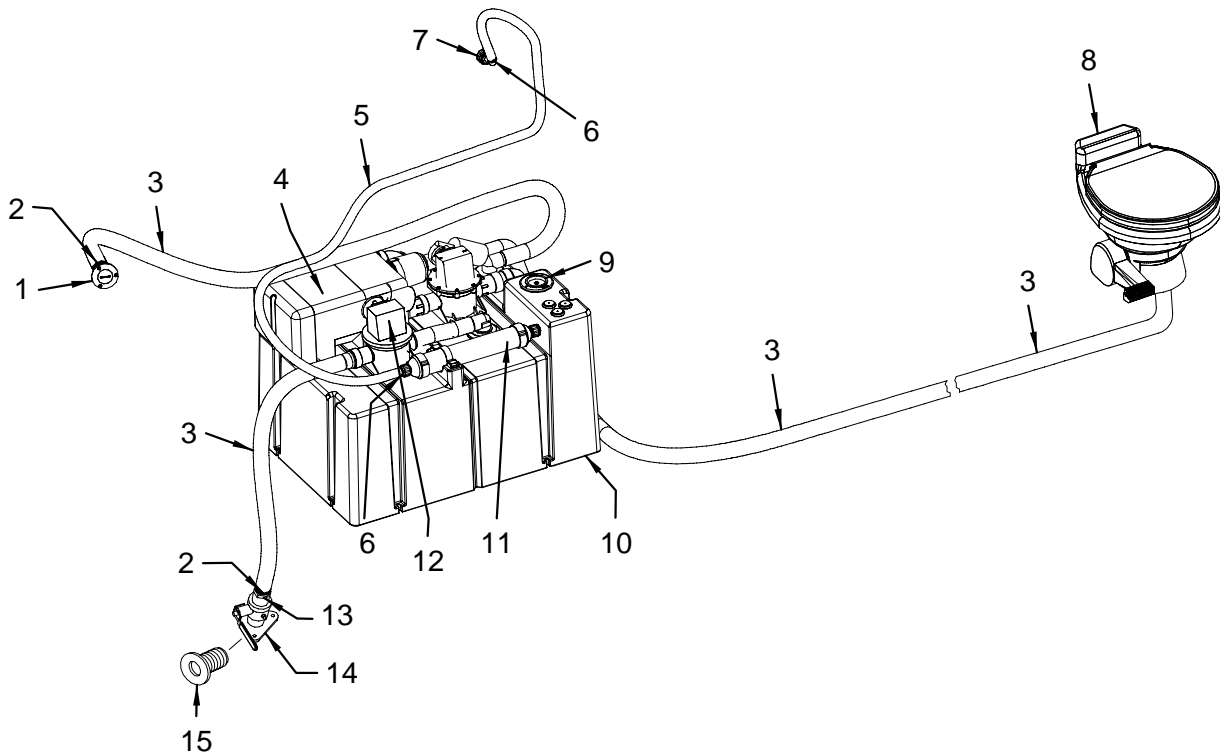
**OIL EXCHANGE SYSTEM**



**OIL EXCHANGE SYSTEM**

- 1 1887748 FITTING, BRASS BARB/NUT 1/2" FEMALE SAE  
(HULL# 576 -> UP)
- 170605 FITTING, BRASS 1/2" BARB/NUT  
(HULL# 501 -> 575)
- 2 1887695 FERRULE, FUEL LINE 1/2" .850"ID X .90"OD  
(HULL# 576 -> UP)
- 170621 FERRULE, FUEL LINE 1/2" ISO/CE .925"ID  
(HULL# 501 -> 575)
- 3 1884012 HOSE, FUEL 1/2" TYPE A CLASS 1-15 ISO/CE/CARB  
(HULL# 576 -> UP)
- 123786 HOSE, FUEL 1/2" TYPE A CLASS 1 ISO/CE  
(HULL# 501 -> 575)
- 4 1092048 PUMP, OIL CHANGE KIT 12V 3-VALVE
- 5 1746452 ADAPTER, BRASS 1/2" SAE X 3/8" FPT
- 6 169102 ELBOW, BRASS 90DEG 1/2" MPT X 1/2" SAE
- 7 156893 WEBBING, POLYPROPYLENE 1" BLACK
- 154377 SNAP STUD, W/#8 X 5/8" PH SS
- 154419 SNAP BUTTON, W/ 5/16" BARREL
- 1574771 SNAP BUTTON, W/1/4" BARREL BLK
- 779041 SNAP SOCKET, HARD ACTION

**SEWAGE SYSTEM**



**SEWAGE SYSTEM**

- 1 1752438 DECK PLATE, WASTE SS BLK CLR-CODE W/INT SYMBL
- 522581 DECK PLATE, CAP W/CHAIN  
(PART OF 1752438)
- 522599 KEY, DECK PLATE CAP  
(PART OF 1752438)
- 2 256693 CLAMP, HOSE #24 1"-2" SS .505
- 3 846899 HOSE, SANI 1.5" PREMIUM RBR BLK
- 4 1690716 VACUUM GEN, 12VDC FOR MRP#1610971  
(PART OF 1610971)
- 5 124719 HOSE, SANI/CHEMICAL TDX 5/8"
- 6 256677 CLAMP, HOSE #12 1/2"-1.25" SS .505
- 7 1618651 VENT, FUEL/WATER SS 5/8" 90DEG FLSH SHALLOW
- 8 1846853 HEAD, VACU-FLUSH BONE 5006 BTM DCHG LOW PRFLE  
(HULL# 534 -> UP)
- 1872707 HEAD, SEAT ASSY VAC-FLUSH BONE 5048 BACK DIS  
(HULL# 534 -> UP)
- 1744868 HEAD, VACU-FLUSH BONE 1006 BTM DIS WOOD  
(HULL# 501 -> 533)
- 1784547 SEAT ASSY, CVR/SEAT/HNG PIN BONE  
(HULL# 501 -> 533)(PART OF 1744868)
- 9 1690715 SENDING UNIT, HOLD TANK CAP FOR MRP#1610971  
(PART OF 1610971)
- 10 1610971 TANK, HOLDING 35 GAL HTS W/VAC GEN W/RELAY  
(ALL SO SEE REF# 9,11 FOR PARTS OF PART)
- 134759 FILTER, HEAD TREATMENT SYSTEM  
(PART OF 1610971)
- 1690716 VACUUM GEN, 12VDC FOR MRP#1610971  
(PART OF 1610971)

- 10 1690715 SENDING UNIT, HOLD TANK CAP FOR MRP#1610971  
(PART OF 1610971)
- 11 134759 FILTER, HEAD TREATMENT SYSTEM  
(PART OF 1610971)
- 12 1302058 PUMP, HEAD SYS MACERATOR W/RELAY/CONN 12V  
(MACERATOR W/ SEACOCK INTERLOCK SYSTEM)
- 134858 PUMP, HEAD SYS MACERATOR  
(PART OF 1302058)
- 13 518464 TAILPIECE, BRZ 1.25"MPT X 1.25"BARB
- 14 518456 SEACOCK, BRZ 1.5" W/O TAILPIECE  
(MACERATOR W/ SEACOCK INTERLOCK SYSTEM)
- 1302116 SWITCH, SEACOCK INTERLOCK W/60" LEADS/CONN  
(MACERATOR W/ SEACOCK INTERLOCK SYSTEM)
- 846899 HOSE, SANI 1.5" PREMIUM RBR BLK  
(MACERATOR W/ SEACOCK INTERLOCK SYSTEM)
- 255158 BUSHING, BRZ 1.25"FPT X 1.5"MPT  
(MACERATOR W/ SEACOCK INTERLOCK SYSTEM)
- 1766964 EYE, STRAP EYE TIE-DOWN "STAMPED" SS  
(MACERATOR W/ SEACOCK INTERLOCK SYSTEM)
- 170431 ELBOW, RED BRASS 45DEG 1.25"MPT X 1.5"BARB  
(MACERATOR W/ SEACOCK INTERLOCK SYSTEM)
- 15 579870 THRU-HULL, BRZ 1.5" W/O NUT  
(MACERATOR W/ SEACOCK INTERLOCK SYSTEM)

**CLAMPS**

- 123646 CLAMP, LOOM VINYL DIP #32 2"
- 123661 CLAMP, LOOM VINYL DIP 1"

**LABELS**

1745156 LABEL, NOTICE OVERBOARD DISCHARGE (LEXAN)  
(MACERATOR W/ SEACOCK INTERLOCK SYSTEM)

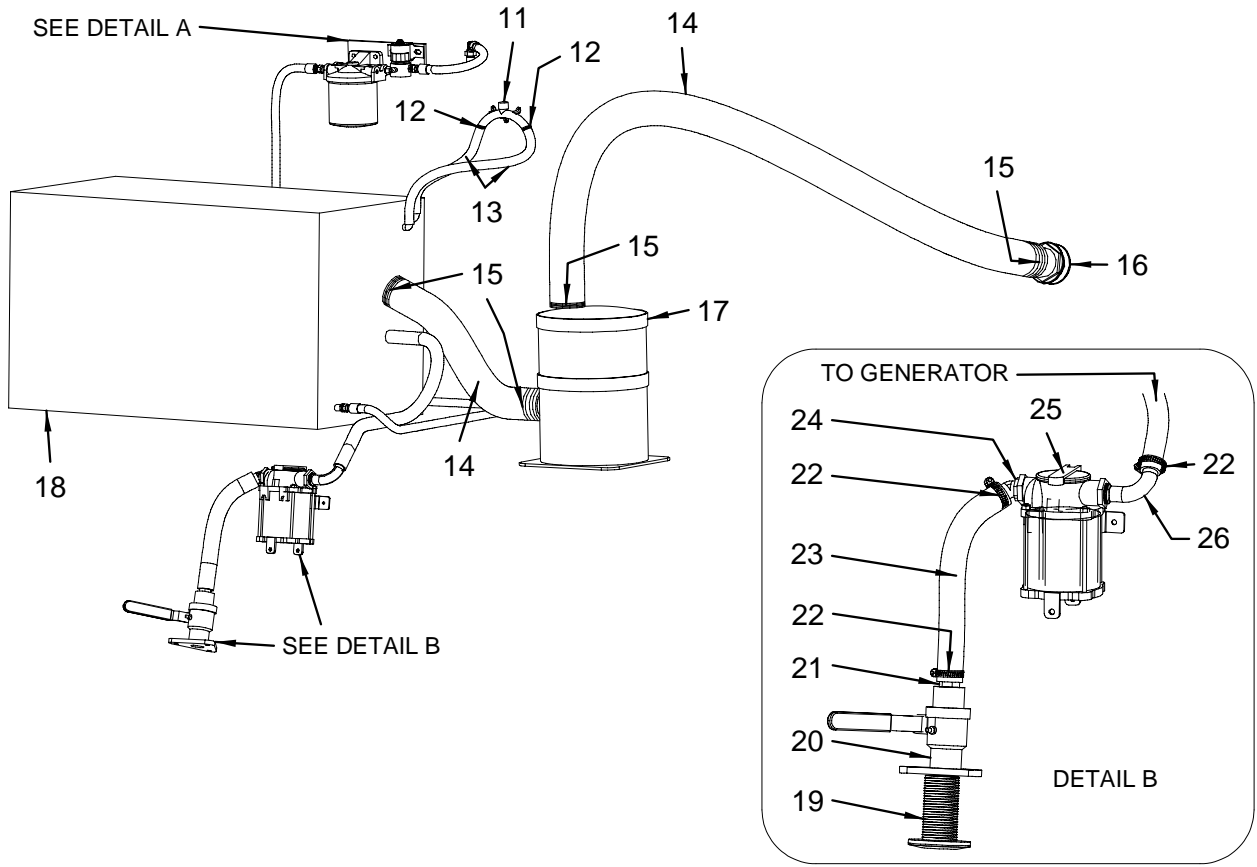
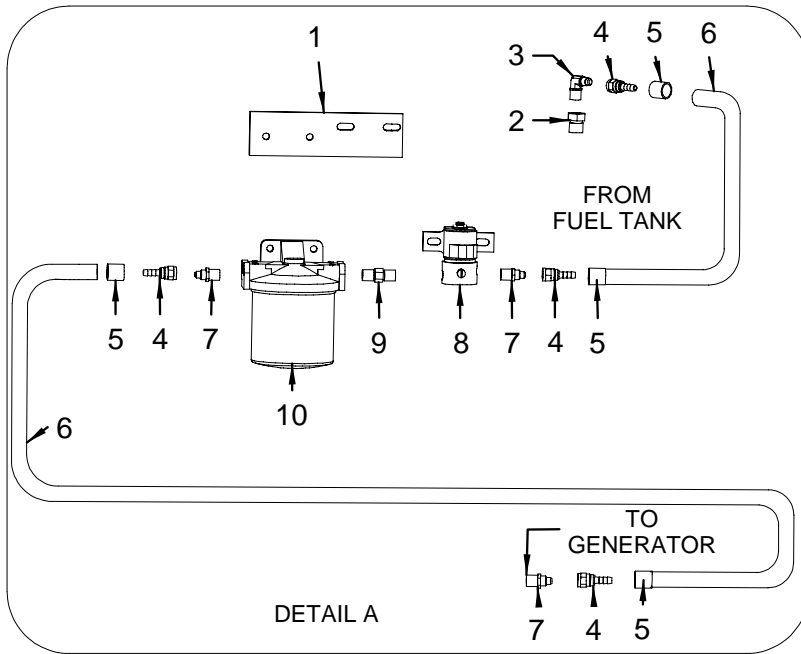
**NOT SHOWN**

1470442 ADAPTER, KIT HOSE/CAP 1.5"

**SPLIT CONDUIT**

1502202 HOSE, CONDUIT/SPLIT 2" FLAME RETARDANT  
1501832 HOSE, CONDUIT/SPLIT 3/8" FLAME RETARDANT

GENERATOR SYSTEM (GAS)



**GENERATOR SYSTEM (GAS)**

- 1 1620426 PLATE, 360DA-02 OPT GEN FUEL FILTER MNT
- 2 791392 BUSHING, SS THD 1/4"FPT X 3/8"MPT
- 3 629253 ELBOW, BRASS 90DEG 1/4"SAE X 1/4"MPT
- 4 1887750 FITTING, BRASS BARB/NUT 1/4" FEMALE SAE  
(HULL# 576 -> UP)
- 629279 FITTING, BRASS 1/4"BARB/NUT  
(HULL# 501 -> 575)
- 5 1887693 FERRULE, FUEL LINE 1/4" .575"ID X .625"OD  
(HULL# 576 -> UP)
- 965954 FERRULE, FUEL LINE 1/4"ISO/CE .650"ID  
(HULL# 501 -> 575)
- 6 1884010 HOSE, FUEL 1/4" TYPE A CLASS 1-15 ISO/CE/CARB  
(HULL# 576 -> UP)
- 340901 HOSE, FUEL 1/4" TYPE A CLASS 1 ISO/CE  
(HULL# 501 -> 575)
- 7 162750 ADAPTER, BRASS 1/4"MPT X 1/4"SAE
- 8 1791155 VALVE, BRASS FUEL SHUT-OFF 12V SER7000 10W
- 1791354 BRACKET, ELEC FUEL SHUT OFF A&B MOUNT
- 9 168849 NIPPLE, BRASS 1/4"MPT X 1.5"HEX
- 10 148171 FILTER, FUEL/WATER SEPARATOR KIT
- 11 1749612 SYPHON BREAK KIT, GEN EXH ONAN 3/4"  
(T-CMD QSB 380 (T-364 PHP) DIESEL INBOARDS)
- 12 123414 CLAMP, HOSE #12M 5/8"-1.25" SS MINI
- 13 254904 HOSE, WATER INTAKE 5/8" WIRE REINFORCED
- 14 913053 HOSE, EXHAUST 2" CORR HW
- 15 1155894 CLAMP, HOSE #6M250 1.75"-2 5/8" SS POWERGEAR
- 16 1769255 THRU-HULL, SS EXHAUST 2" W/SS LIP  
1835350 THRU-HULL, FLAP ONLY SS EXH 2" X-LONG  
(PART OF 1769255)
- 17 1215128 MUFFLER, 2"IN X 2"OUT W/SIDE INLET DUAL STAGE
- 18 1803672 GENERATOR, 7.3ECD GAS KOHLER 120V/60 SCRFT  
1833212 GENERATOR, 6EFCD GAS KOHLER 220V/50 SCRFT  
(220 VOLT / 50 CYCLE ELECTRICAL SYSTEM)
- 19 196568 THRU-HULL, BRZ 1"
- 20 531368 SEACOCK, BRZ 1"
- 21 170357 ADAPTER, BRZ 1"MPT X 1"BARB STRAIGHT
- 22 256685 CLAMP, HOSE #16 3/4"-1.5" SS .505
- 23 196667 HOSE, GEN PURPOSE 1"
- 24 417550 ELBOW, RED BRASS 45DEG 3/4"MPT X 1"BARB
- 25 144717 STRAINER, BRZ WATER INTAKE 3/4" SPECIAL #5937  
1161785 STRAINER, BRKT ONLY 3/4"  
(PART OF 144717)
- 1851518 PLUG, BRZ 1/8"NPT  
(PART OF 144717)
- 26 169193 ELBOW, BRZ 90DEG 3/4"MPT X 3/4"BARB

**CLAMPS**

- 417998 CLAMP, HOSE #04M 1/4"-5/8" SS MINI

**LABELS**

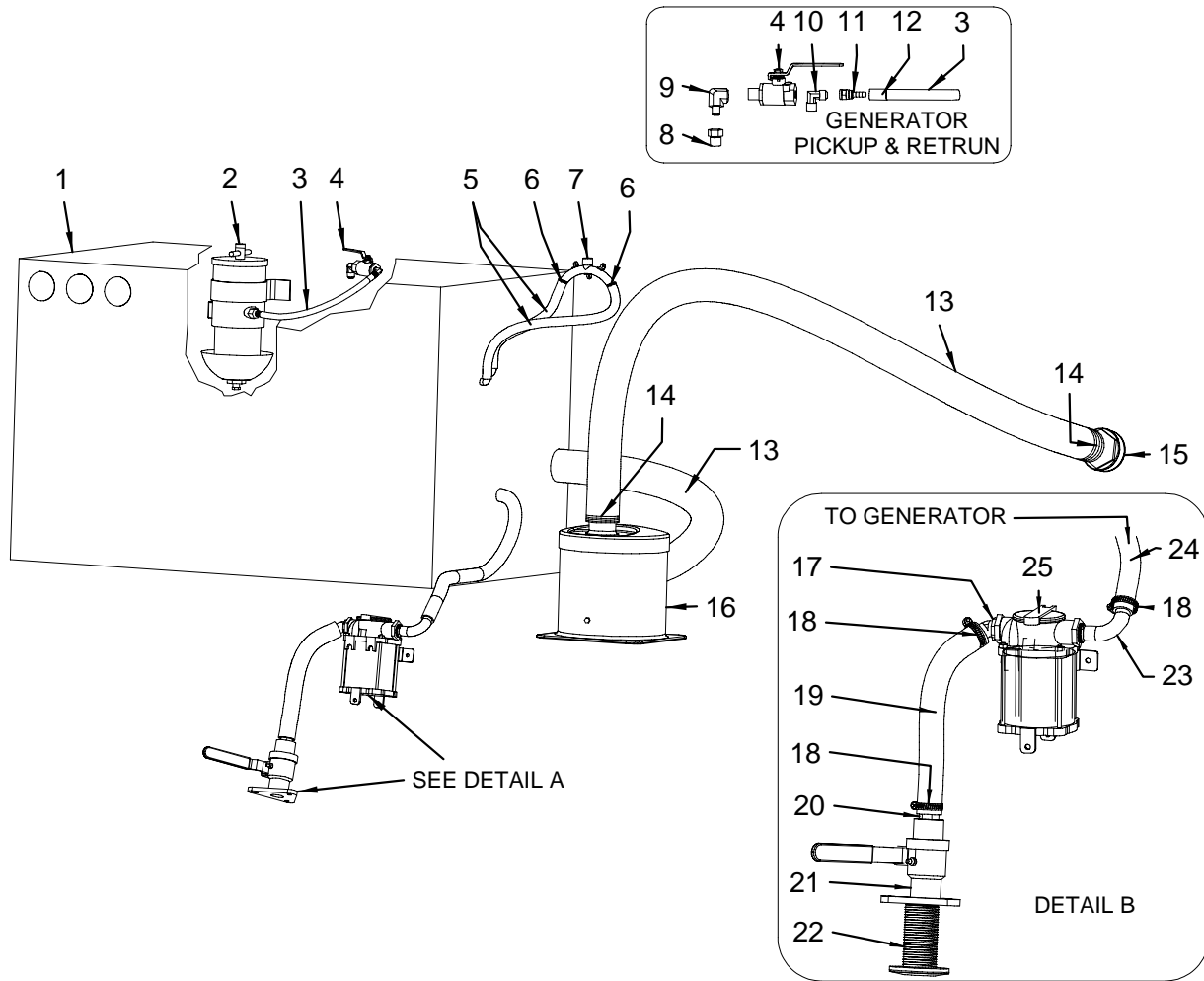
- 1744743 LABEL, 2"X 1/2" GENERATOR
- 1831528 LABEL, GENERATOR RESET NOTICE

**NOT SHOWN**

- 1854457 POST, SS GEN HOSE MNT 25.5"



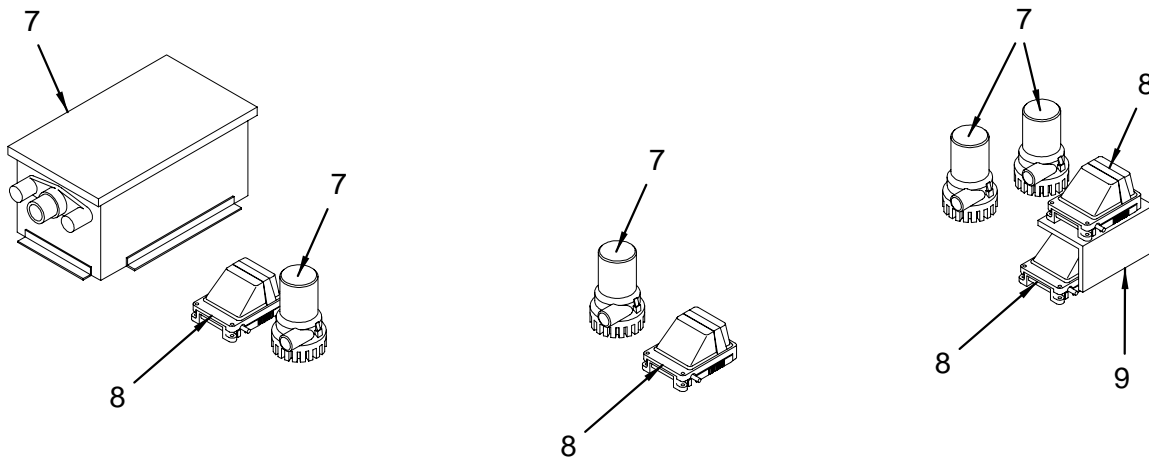
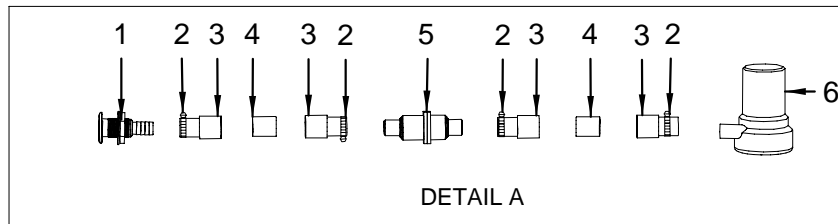
**GENERATOR SYSTEM (DIESEL)**



**GENERATOR SYSTEM (DIESEL)**

- |  |  |
|--|--|
| <p>1 1802775 GENERATOR, 9.0 DSL ONAN SPCSVR 120/60HZ SCRFT<br/>1749612 SYPHON BREAK KIT, GEN EXH ONAN 3/4"</p> <p>2 1524065 FILTER, REMOTE FUEL DSL (500MASR)</p> <p>3 1884010 HOSE, FUEL 1/4" TYPE A CLASS 1-15 ISO/CE/CARB<br/>(HULL# 576 -&gt; UP)</p> <p>340901 HOSE, FUEL 1/4" TYPE A CLASS 1 ISO/CE<br/>(HULL# 501 -&gt; 575)</p> <p>4 171736 VALVE, BRASS FUEL 1/4"MPT X 1/4"FPT</p> <p>5 254904 HOSE, WATER INTAKE 5/8" WIRE REINFORCED</p> <p>6 123414 CLAMP, HOSE #12M 5/8"-1.25" SS MINI</p> <p>7 1749612 SYPHON BREAK KIT, GEN EXH ONAN 3/4"</p> <p>8 791392 BUSHING, SS THD 1/4"FPT X 3/8"MPT</p> <p>9 629253 ELBOW, BRASS 90DEG 1/4"SAE X 1/4"MPT</p> <p>10 147595 ELBOW, BRASS 90DEG 3/8"SAE X 1/4"MPT</p> <p>11 1887750 FITTING, BRASS BARB/NUT 1/4" FEMALE SAE<br/>(HULL# 576 -&gt; UP)</p> <p>629279 FITTING, BRASS 1/4"BARB/NUT<br/>(HULL# 501 -&gt; 575)</p> <p>12 1887693 FERRULE, FUEL LINE 1/4" .575"ID X .625"OD<br/>(HULL# 576 -&gt; UP)</p> <p>965954 FERRULE, FUEL LINE 1/4"ISO/CE .650"ID<br/>(HULL# 501 -&gt; 575)</p> <p>13 913053 HOSE, EXHAUST 2" CORR HW</p> <p>14 1155894 CLAMP, HOSE #6M250 1.75"-2 5/8" SS POWERGEAR</p> <p>15 1769255 THRU-HULL, SS EXHAUST 2" W/SS LIP<br/>1835350 THRU-HULL, FLAP ONLY SS EXH 2" X-LONG<br/>(PART OF 1769255)</p> | <p>16 1784602 MUFLER, 2"IN X 2"OUT 9"X 9" BASE<br/>160374 MUFLER, DRAIN PLUG<br/>(PART OF 1784602)</p> <p>17 417550 ELBOW, RED BRASS 45DEG 3/4"MPT X 1"BARB</p> <p>18 256685 CLAMP, HOSE #16 3/4"-1.5" SS .505</p> <p>19 196667 HOSE, GEN PURPOSE 1"</p> <p>20 170357 ADAPTER, BRZ 1"MPT X 1"BARB STRAIGHT</p> <p>21 531368 SEACOCK, BRZ 1"</p> <p>22 196568 THRU-HULL, BRZ 1"</p> <p>23 169193 ELBOW, BRZ 90DEG 3/4"MPT X 3/4"BARB</p> <p>24 123810 HOSE, GEN PURPOSE 3/4"</p> <p>25 144717 STRAINER, BRZ WATER INTAKE 3/4" SPECIAL #5937<br/>1161785 STRAINER, BRKT ONLY 3/4"<br/>(PART OF 144717)</p> <p>1851518 PLUG, BRZ 1/8"NPT<br/>(PART OF 144717)</p> |
|--|--|

**DRAINAGE SYSTEM (BILGE PUMP AND SUMP)**



**DRAINAGE SYSTEM (BILGE PUMP AND SUMP)**

- 1 1687508 THRU-HULL, SS 1 1/8"X 1 1/8"BARB
- 2 123414 CLAMP, HOSE #12M 5/8"-1.25" SS MINI
- 3 466615 HOSE CUFF, 1" RH WHT
- 4 466664 HOSE, CORR VAC 1" RH
- 5 555375 VALVE, CHECK W/HALE 1"- 1.5"
- 6 1819776 PUMP, BILGE 1500GPH W/CONN
- 529016 PUMP, BILGE 16GPM MANUAL TWO POS  
**(C E OPTION GROUP)**
- 7 1792643 SHOWER, SUMP ASSY MULTI-PORT 750GPH 12V W/CON
- 1771004 PUMP, BILGE 1100GPH W/IMPLLR HOUSG VNS W/CONN
- 8 1852279 SWITCH, FLOAT RULE W/CVR NON MERC  
**(HULL# 544 -> UP)**
- 817726 SWITCH, FLOAT ATTWOOD W/CVR  
**(HULL# 525 -> 543)**
- 1771033 SWITCH, FLOAT RULE W/CVR W/CONN  
**(HULL# 501 -> 524)**
- 9 781807 BRACKET, PVC 2"X 2"X 6"

**LABELS**

- 1745160 LABEL, 1/2"X 1.5" SHWR DRAIN
- 1745517 LABEL, 1/2"X 1.5" DISCHARGE
- 1751884 LABEL, 1/2"X 1.5" A/C CONDENSATE

**NOT SHOWN**

- 892042 NUT, BRASS DRAIN SLIP 1.5"
- 1744830 ADAPTER, STRT RED BRSS 3/4"MPT X 5/8"BARB

**THRU- HULLS**

- 1521434 THRU-HULL, SS 1 1/8"X 3/4"BARB
- 1688448 THRU-HULL, SS 1 1/8"X 5/8"BARB

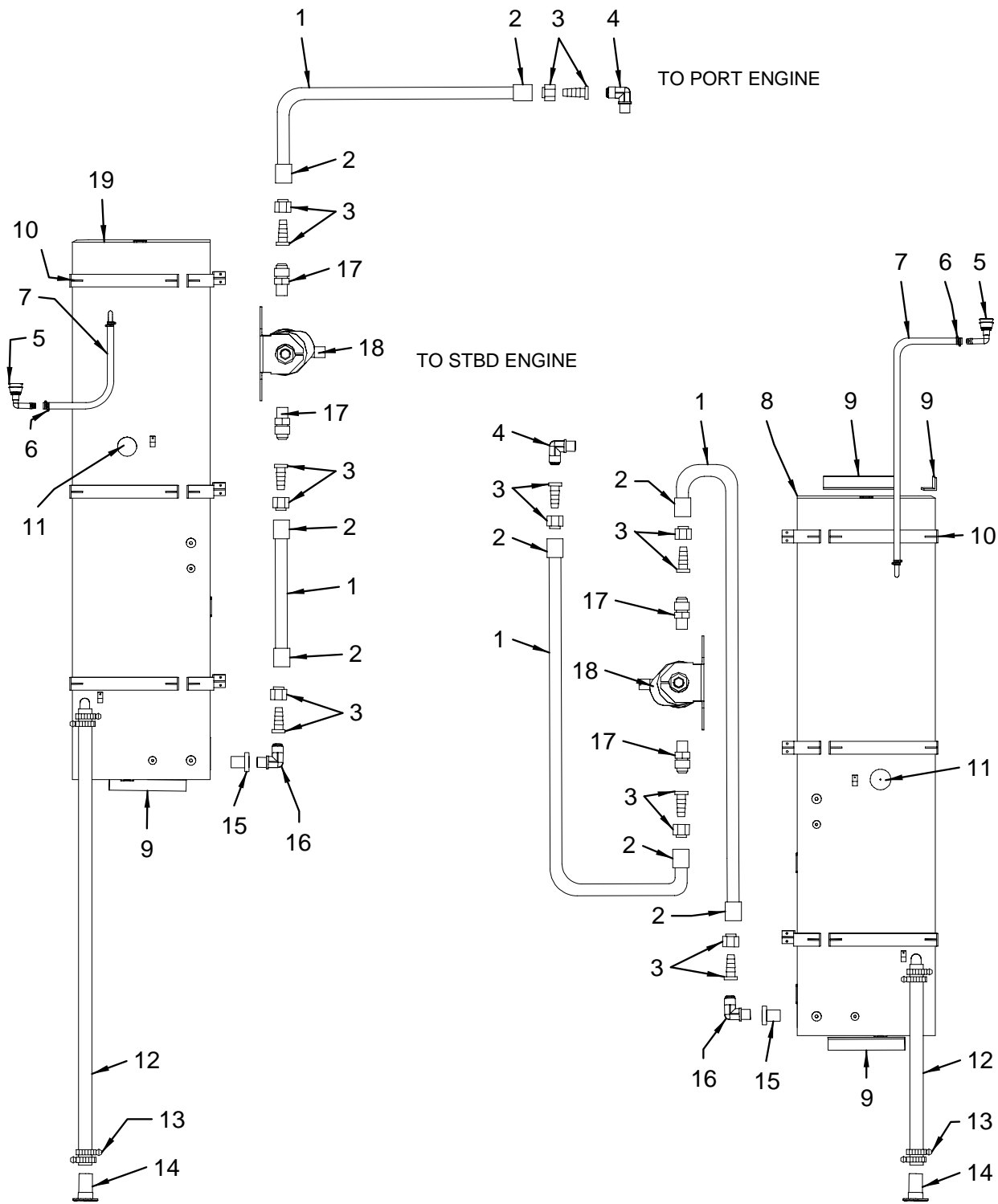
**BRACKETS**

- 512244 BRACKET, ALUM 1/8"X 2"X 6" FLAT

**CLAMPS**

- 697482 CLAMP, HOSE #13 7/8"-1 3/8" SS .505

FUEL SYSTEM (GAS)



**FUEL SYSTEM (GAS)**

- 1 1884012 HOSE, FUEL 1/2" TYPE A CLASS 1-15 ISO/CE/CARB  
(HULL# 576 -> UP)
- 123786 HOSE, FUEL 1/2" TYPE A CLASS 1 ISO/CE  
(HULL# 501 -> 575)
- 2 1887695 FERRULE, FUEL LINE 1/2" .850"ID X .90"OD  
(HULL# 576 -> UP)
- 170621 FERRULE, FUEL LINE 1/2"ISO/CE .925"ID  
(HULL# 501 -> 575)
- 3 1887748 FITTING, BRASS BARB/NUT 1/2" FEMALE SAE  
(HULL# 576 -> UP)
- 170605 FITTING, BRASS 1/2"BARB/NUT  
(HULL# 501 -> 575)
- 4 169748 ELBOW, BRASS 90DEG 1/2"SAE X 3/8"MPT
- 5 1433176 VENT, FUEL/WATER SS 5/8" 90DEG FLSH MNT
- 6 123414 CLAMP, HOSE #12M 5/8"-1.25" SS MINI
- 7 123778 HOSE, FUEL 5/8" TYPE A CLASS 1 ISO/CE
- 8 1798639 TANK, FUEL 36DB-06 150GAL STB  
(SEE REF# 11 FOR PARTS OF PART)
- 1497452 TAPE, FOAM NEOPRENE W/3M 9828 3/8"TH X 2"W
- 9 1765294 BRACKET, PVC 2"X 2"X 12"
- 10 1839173 STRAP, FUEL TANK TOP 17" 36DB-07
- 1839172 STRAP, FUEL TANK SIDE 21.75" 36DB-07
- 11 1881635 SENDING UNIT, FUEL SENDER ISSPRO ELEC 20"  
(PART OF 1798638 & 1798639 TANKS)
- 12 123745 HOSE, FUEL 1.5" TYPE A CLASS 2
- 13 256719 CLAMP, HOSE #32 1 9/16"-2.5" SS .505
- 14 1109313 DECK PLATE, GAS SS 1.5" RED CLR-CODE
- 522599 KEY, DECK PLATE CAP  
(PART OF 1109313)
- 522557 DECK PLATE, CAP W/CHAIN GAS/WATER  
(PART OF 1109313)
- 15 184077 BUSHING, SS THD 3/8"FPT X 1/2"MPT
- 16 169748 ELBOW, BRASS 90DEG 1/2"SAE X 3/8"MPT
- 17 169920 ADAPTER, BRASS 1/4"MPT X 1/2"SAE
- 18 1791155 VALVE, BRASS FUEL SHUT-OFF 12V SER7000 10W
- 19 1798638 TANK, FUEL 36DB-06 150GAL PRT  
(SEE REF# 11 FOR PARTS OF PART FOR TANK)
- 1497452 TAPE, FOAM NEOPRENE W/3M 9828 3/8"TH X 2"W

**BRACKETS**

- 781807 BRACKET, PVC 2"X 2"X 6"

**LABELS**

- 1745158 LABEL, FUEL RECOMMENDATION/LP GAS WARNING  
(HULL# 588 -> UP)
- 1745157 LABEL, FUEL RECOMMENDATION  
(HULL# 501 -> 587)

**LOOM CLAMPS**

- 123646 CLAMP, LOOM VINYL DIP #32 2"
- 123661 CLAMP, LOOM VINYL DIP 1"

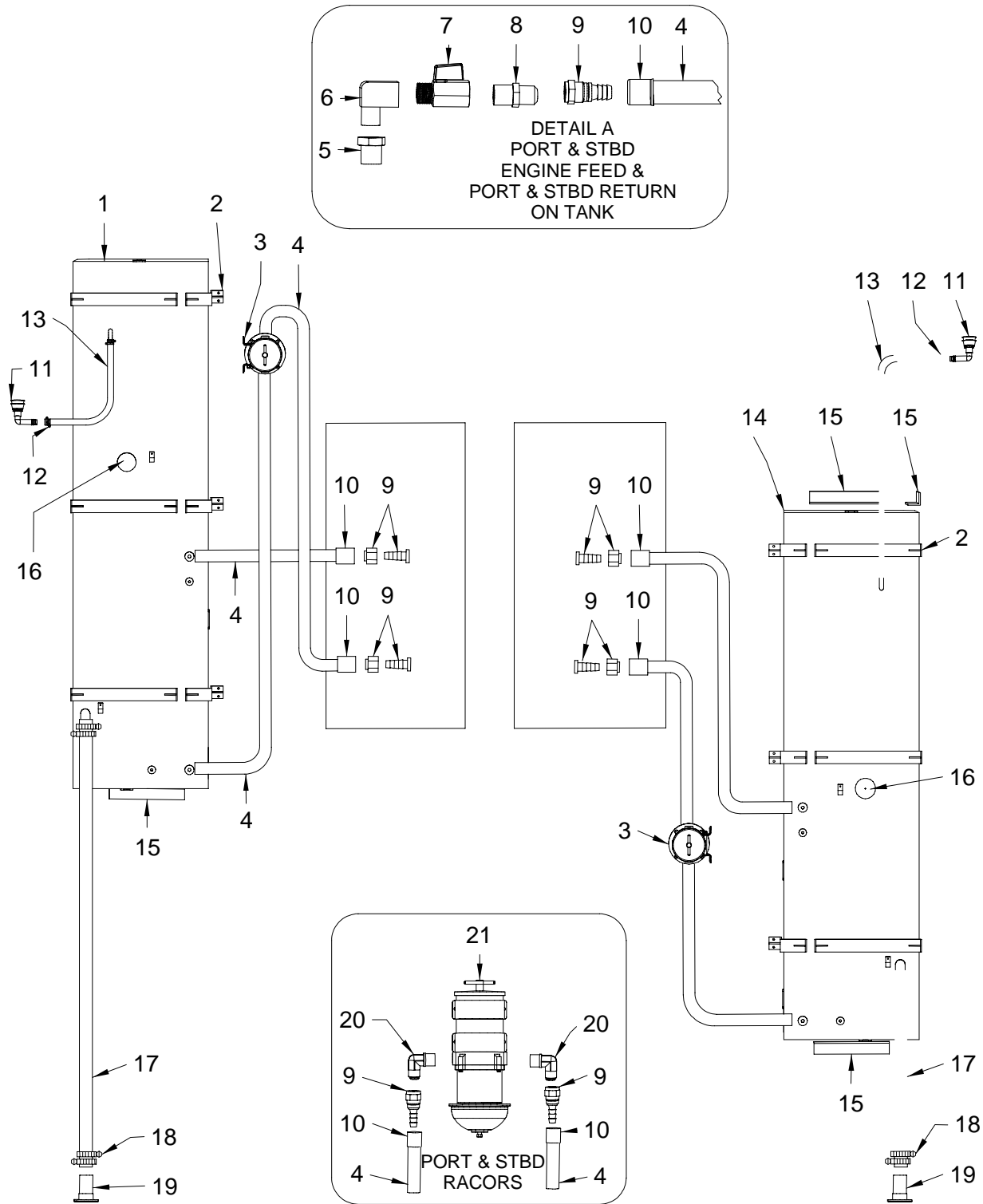
**NOT SHOWN**

- 1691151 TAPE, VAC PAK WHT (4"X 180) FLAME RETARDANT

**SPLIT CONDUIT**

- 1501782 HOSE, CONDUIT/SPLIT 1/2" FLAME RETARDANT
- 1501824 HOSE, CONDUIT/SPLIT 3/4" FLAME RETARDANT

FUEL SYSTEM (DIESEL)



**FUEL SYSTEM (DIESEL)**

- 1 1798638 TANK, FUEL 36DB-06 150GAL PRT  
(SEE REF# 16 FOR PARTS OF PART)
- 1497452 TAPE, FOAM NEOPRENE W/3M 9828 3/8"TH X 2"W
- 2 1839173 STRAP, FUEL TANK TOP 17" 36DB-07
- 1839172 STRAP, FUEL TANK SIDE 21.75" 36DB-07
- 3 1524073 FILTER, REMOTE FUEL DSL (900MASR)
- 4 1884011 HOSE, FUEL 3/8" TYPE A CLASS 1-15 ISO/CE/CARB  
(HULL# 576 -> UP)
- 123760 HOSE, FUEL 3/8" TYPE A CLASS 1 ISO/CE  
(HULL# 501 -> 575)
- 5 184077 BUSHING, SS THD 3/8"FPT X 1/2"MPT
- 6 1686552 ELBOW, SS 90DEG 1/2"MPT X 1/2"FPT
- 7 1687213 VALVE, BRASS FUEL 1/2"MPT X 1/2"FPT
- 8 169821 ADAPTER, BRASS 1/2"MPT X 1/2"SAE
- 9 1887747 FITTING, BRASS BARB/NUT 3/8" FEMALE SAE  
(HULL# 576 -> UP)
- 170589 FITTING, BRASS 3/8"BARB/NUT  
(HULL# 501 -> 575)
- 10 1887694 FERRULE, FUEL LINE 3/8" .718"ID X .768"OD  
(HULL# 576 -> UP)
- 1819807 FERRULE, FUEL LINE 3/8"ISO/CE .775"ID  
(HULL# 501 -> 575)
- 11 1433176 VENT, FUEL/WATER SS 5/8" 90DEG FLSH MNT
- 12 123414 CLAMP, HOSE #12M 5/8"-1.25" SS MINI
- 13 123778 HOSE, FUEL 5/8" TYPE A CLASS 1 ISO/CE
- 14 1798639 TANK, FUEL 36DB-06 150GAL STB  
(SEE REF#16 FOR PARTS OF PART)
- 1497452 TAPE, FOAM NEOPRENE W/3M 9828 3/8"TH X 2"W
- 15 1765294 BRACKET, PVC 2"X 2"X 12"
- 16 1881635 SENDING UNIT, FUEL SENDER ISSPRO ELEC 20"  
(PART OF 1798638 & 1798639 TANKS)
- 17 123745 HOSE, FUEL 1.5" TYPE A CLASS 2
- 18 256693 CLAMP, HOSE #24 1"-2" SS .505
- 19 1184746 DECK PLATE, DSL SS 2"W/1.5"OUTLET GRN CLR-COD  
522599  
(PART OF 1184746)
- 20 169102 ELBOW, BRASS 90DEG 1/2"MPT X 1/2"SAE
- 21 1524073 FILTER, REMOTE FUEL DSL (900MASR)

**BRACKETS**

- 781807 BRACKET, PVC 2"X 2"X 6"
- 1781784 BRACKET, 390DA-05 DIESEL RECOVERY BOTTLE

**CLAMPS**

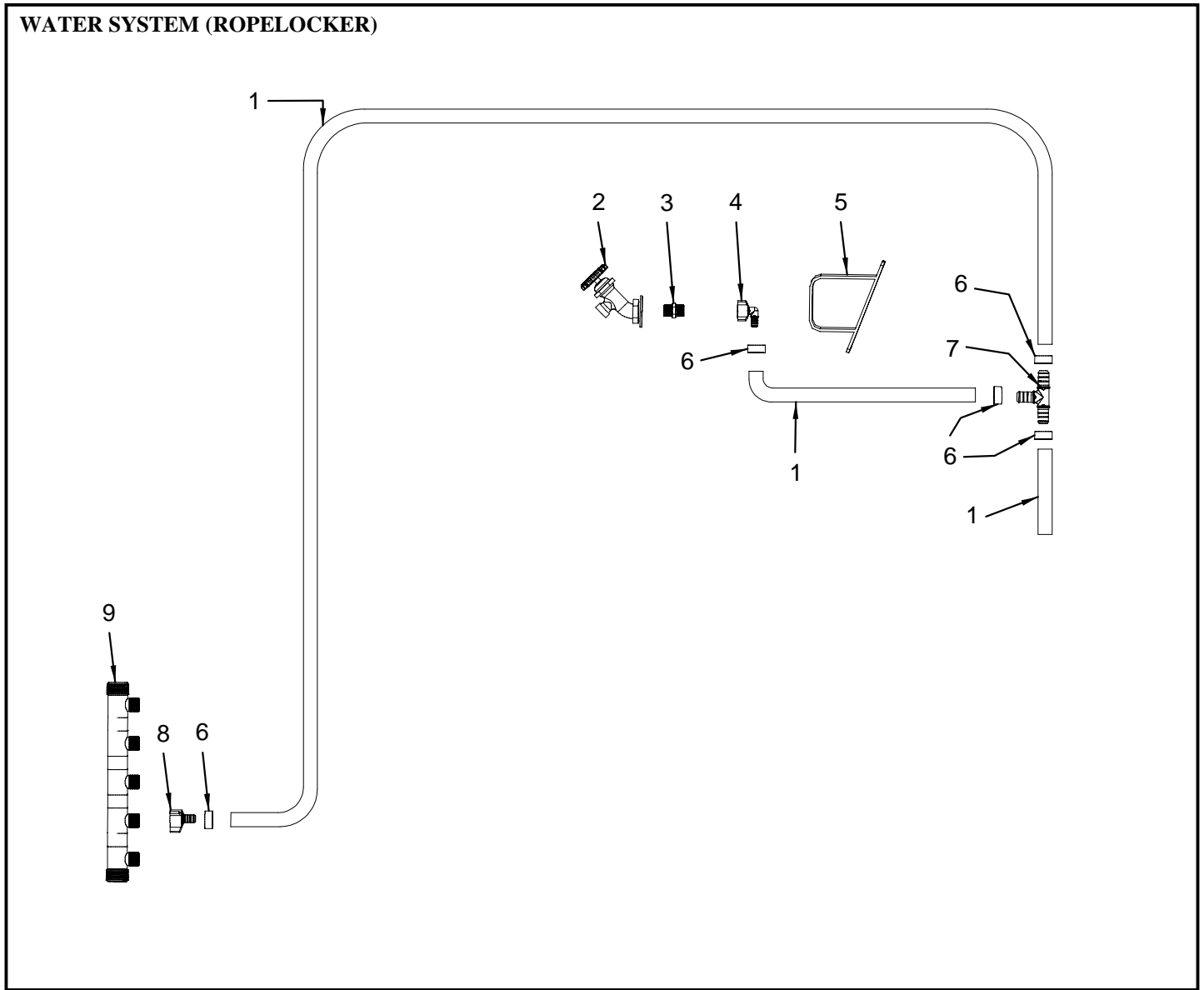
- 123646 CLAMP, LOOM VINYL DIP #32 2"
- 123661 CLAMP, LOOM VINYL DIP 1"
- 1751315 CLAMP, HOSE #6M350 2.75"X 3 5/8" SS POWERGEAR

**NOT SHOWN**

- 723759 COVER, CLAMP END PROT .035"X.300-1/2"RED
- 830968 COVER, CLAMP END PROT 1/2"L X .045"X .465"RED
- 1884088 SUPPORT, LINER CKPT 26 5/8"A-FRM ADJ SS REV1
- 140418 ELBOW, BRASS 90DEG STREET 1/4"
- 1781783 BOARD, HDPE 390DA-05 RECOVERY BOTTLE MOUNT
- 738708 FUSE HOLDER, BLADE TYPE ACCY 25A
- 1884185 CABLE, CONTROL MERC SAE/SAE ENG END PLAT 19'
- 169623 ADAPTER, BRASS 3/8"MPT X 1/2"SAE
- 169524 ADAPTER, BRASS 3/8"MPT X 3/8"SAE
- 140483 ADAPTER, BRASS 1/4"MPT X 3/8"SAE
- 147611 ADAPTER, BRASS 1/4"MPT X 3/8"BARB
- 1676915 COUPLING, BRASS REDUCING 1/4"FPT X 1/2"FPT
- 1413863 CONTROL, ELECTRIC SHIFT SWITCH FOR SRB
- 1320068 STRAINER, BRKT ONLY 2"

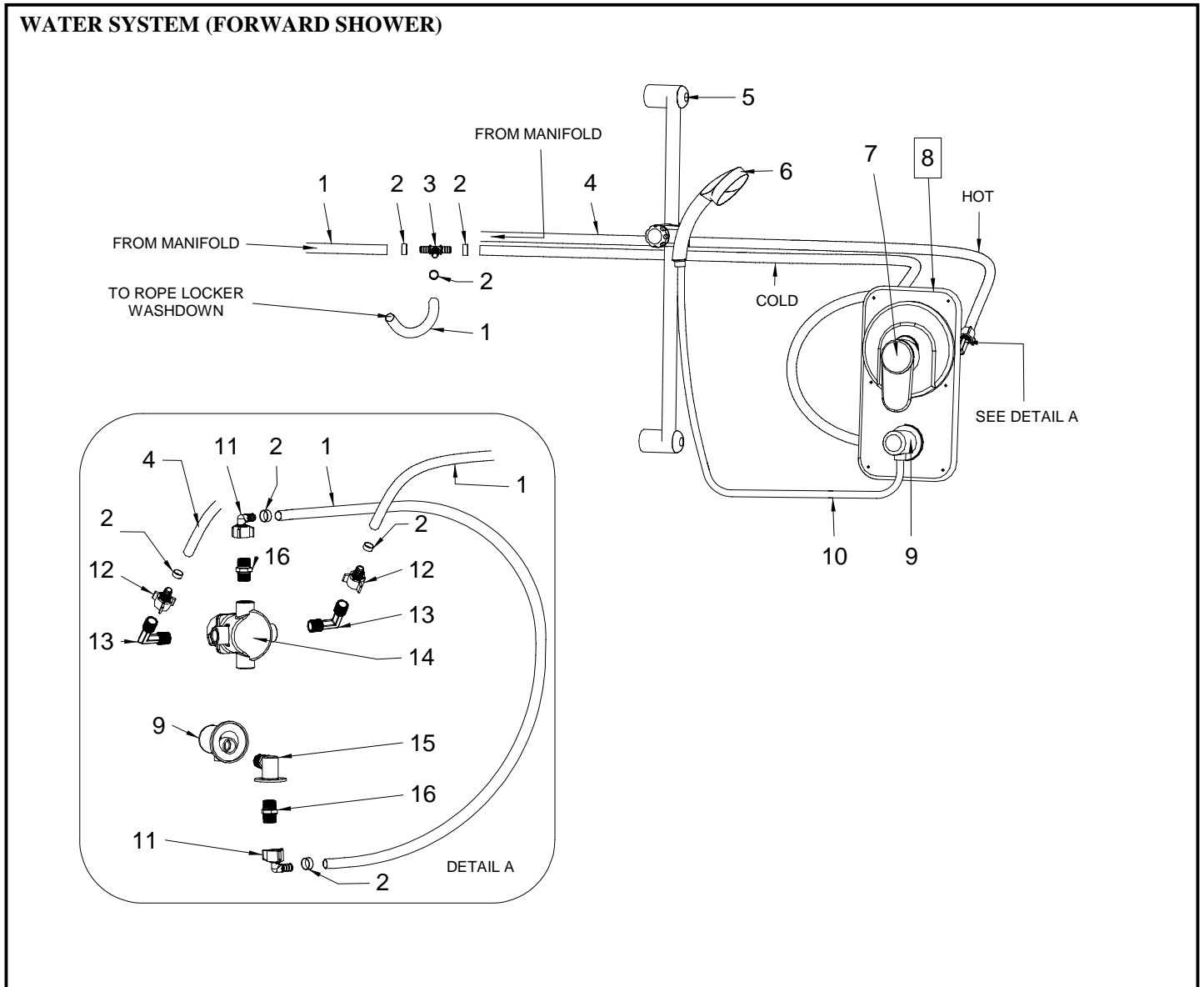
**SPLIT CONDUIT**

- 1501782 HOSE, CONDUIT/SPLIT 1/2" FLAME RETARDANT
- 1501824 HOSE, CONDUIT/SPLIT 3/4" FLAME RETARDANT



**WATER SYSTEM (ROPELOCKER)**

- 1 1789735 TUBING, ZURN 1/2"X 1000' BLUE
- 2 1096262 FAUCET, SILLCOCK WASHDOWN (WHITECAP)
- 3 288415 NIPPLE, BRASS 1/2"MPX 1.5"
- 4 1789708 ELBOW, ZURN 1/2" SWIVEL
- 5 1532134 BRACKET, WASHDOWN 3/16"X 3"
- 6 1789718 CLAMP, CRIMP RING ZURN 1/2"
- 7 1789706 TEE, ZURN 1/2" BARB
- 8 1789686 ADAPTER, ZURN STRAIGHT 1/2" SWIVEL
- 9 1792205 MANIFOLD, ZURN SNGL SIDE W/5 PRT



**WATER SYSTEM (FORWARD SHOWER)**

- 1 1789735 TUBING, ZURN 1/2"X 1000' BLUE
- 2 1789718 CLAMP, CRIMP RING ZURN 1/2"
- 3 1789706 TEE, ZURN 1/2" BARB
- 4 1789751 TUBING, ZURN 1/2"X 1000' RED
- 5 916213 SHOWER BAR, SLIDE BAR 24" CHR (GROHE)
- 6 1848877 SHOWER, HAND HELD ANGLED TEMPESTA
- 7 1505098 FAUCET, PRESS BAL VALVE TRM EUROPLUSII CHR  
(HULL# 552 -> UP)
- 1429588 FAUCET, PRESS BAL VALV TRM EUROPLUSII CHR/BR  
(HULL# 501 -> 551)
- 8 1609676 PLATE, PLEX 360DA-02 SHOWER MIXER
- 9 900373 SHOWER, UNION FIXTURE CHR
- 10 916221 SHOWER, HOSE ASSY ONLY RELEXAFLEX CHR
- 11 1789708 ELBOW, ZURN 1/2" SWIVEL
- 12 1789686 ADAPTER, ZURN STRAIGHT 1/2" SWIVEL
- 13 1425164 ELBOW, SEAFLEX BRS 1/2"MPT X 1/2"MPT
- 14 1523349 FAUCET, BATH MIXER BRASS 3-WAY
- 15 1769585 FITTING, SEAFLEX ALL BRS SHWR W/FLNG 1/2"
- 16 288415 NIPPLE, BRASS 1/2"MPT X 1.5"

**BRACKETS**

- 1275890 BRACKET, ALUM GROHE SHOWER MIXER MNT

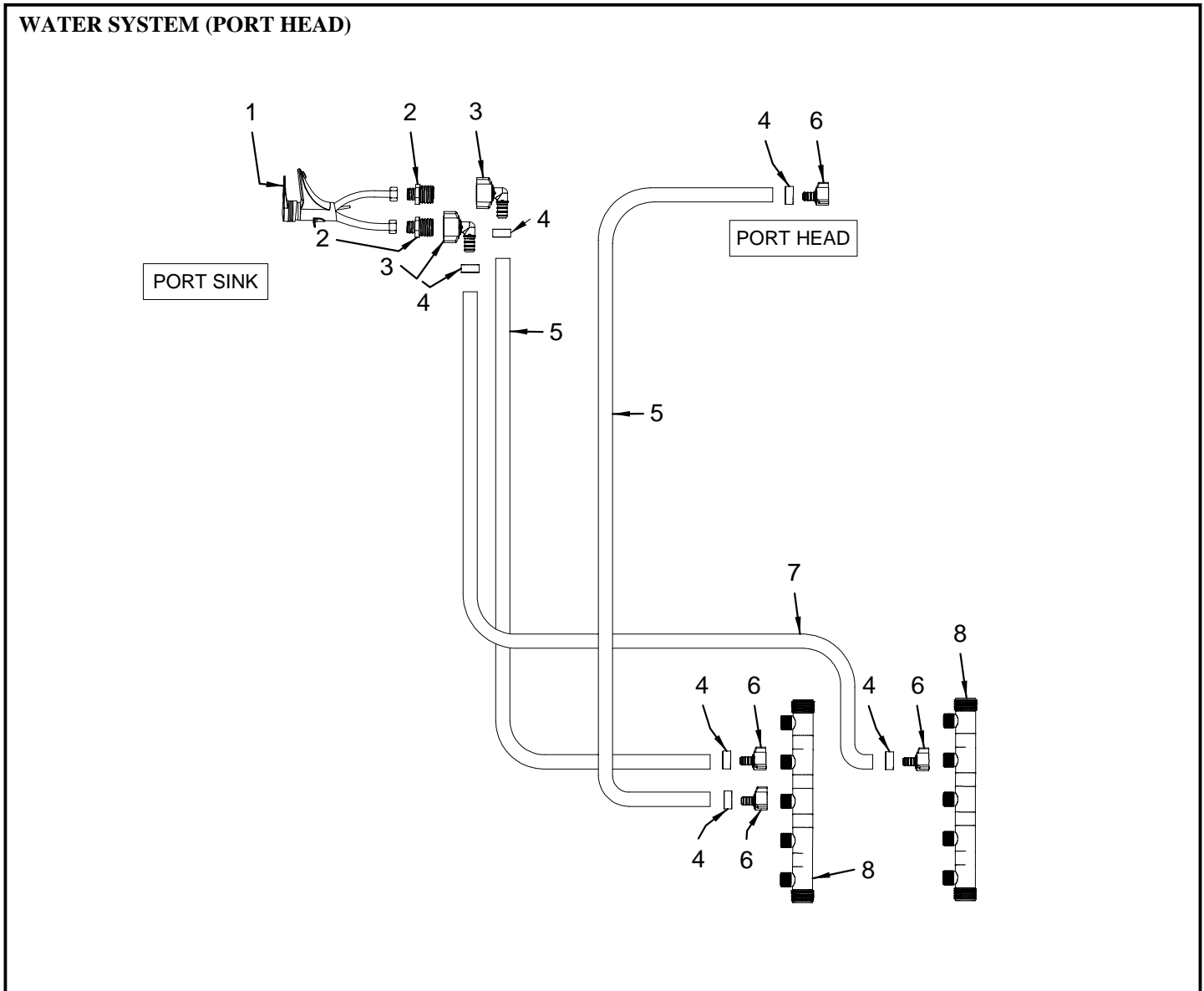
**HOSE**

- 1576321 HOSE, P/C VENT/BLOWER 3"X 210"
- 1847463 HOSE, ZURN FLEX 1/2"X 48" W/1/2" FPT W/NUTS

**NOT SHOWN**

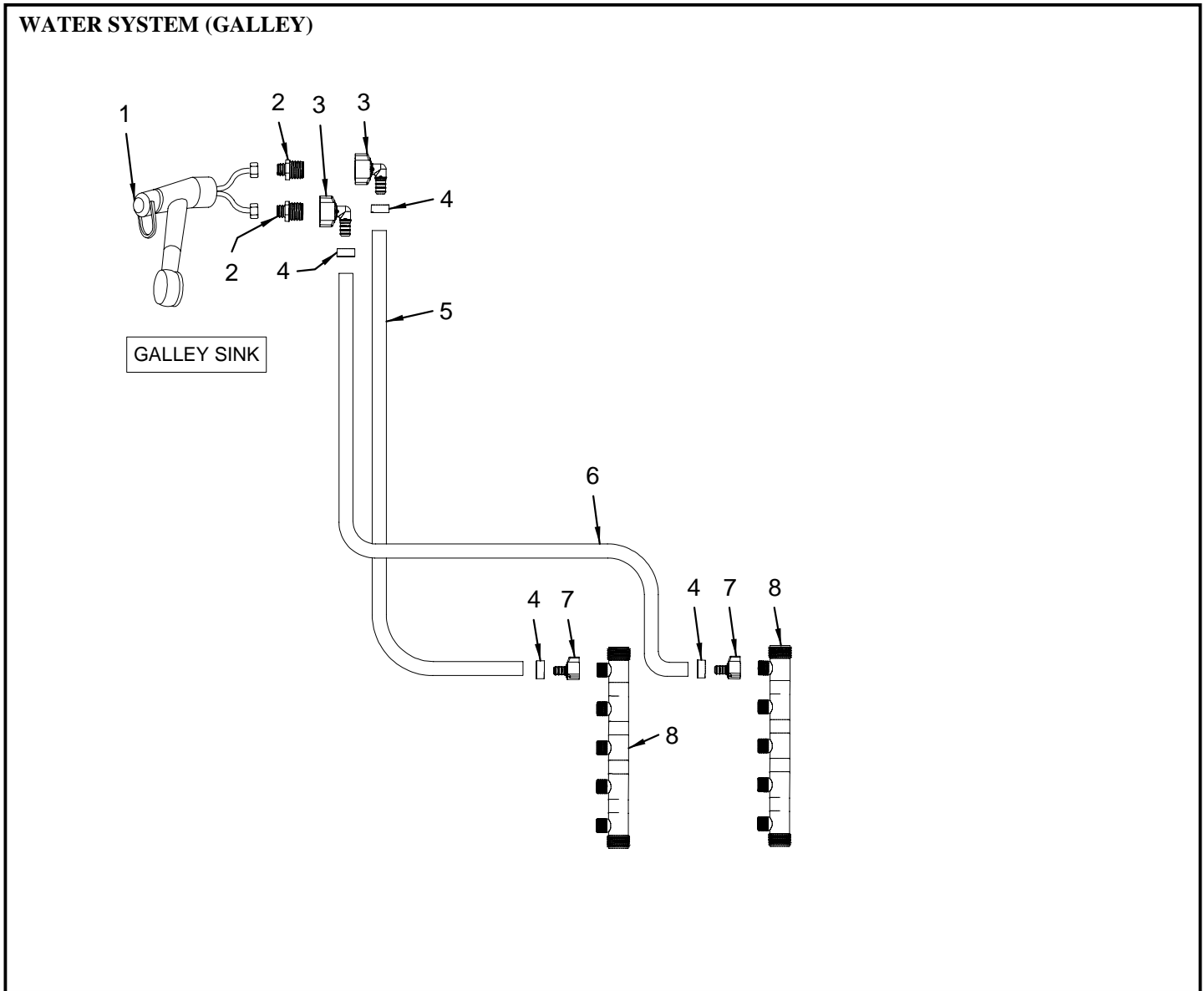
- 1887223 GASKET, SILICONE GREY 1/8" 2.38OD X 1.87ID
- 1887326 GASKET, SILICONE GREY 1/4" 2.38OD X 1.87ID
- 1851029 BOARD, SPAR 36DB-07 SHWR SUMP FLOOR





**WATER SYSTEM (PORT HEAD)**

- 1 1740969 FAUCET, LAV TALIA CTRSET SAT/NKL W/DRAIN
- 2 1425180 ADAPTER, SEAFLEX BRS 1/2" MPT X 3/8" COMP FAUCT
- 3 1789708 ELBOW, ZURN 1/2" SWIVEL
- 4 1789718 CLAMP, CRIMP RING ZURN 1/2"
- 5 1789735 TUBING, ZURN 1/2" X 1000' BLUE
- 6 1789686 ADAPTER, ZURN STRAIGHT 1/2" SWIVEL
- 7 1789751 TUBING, ZURN 1/2" X 1000' RED
- 8 1792205 MANIFOLD, ZURN SNGL SIDE W/5 PRT

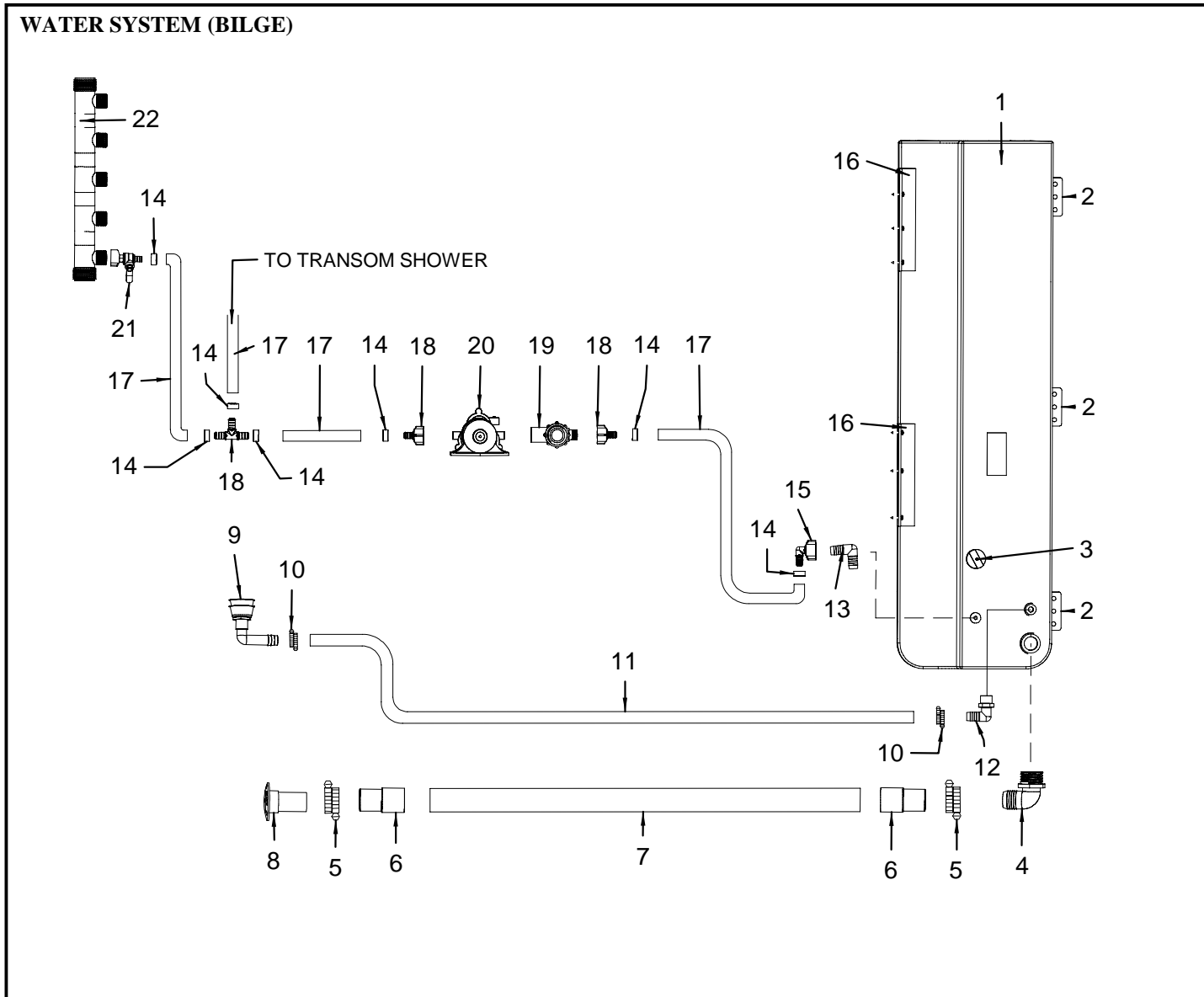


**WATER SYSTEM (GALLEY)**

- 1 1754620 FAUCET, GALLEY "ALIRA" P/O SPRAY SS  
1812410 FAUCET, SPRAYER ONLY GLY "ALIRA"  
(PART OF 1754620)
- 2 1425180 ADAPTER, SEAFLEX BRS 1/2"MP T X 3/8"COMP FAUCT
- 3 1789708 ELBOW, ZURN 1/2" SWIVEL
- 4 1789718 CLAMP, CRIMP RING ZURN 1/2"
- 5 1789735 TUBING, ZURN 1/2"X 1000' BLUE
- 6 1789751 TUBING, ZURN 1/2"X 1000' RED
- 7 1789686 ADAPTER, ZURN STRAIGHT 1/2" SWIVEL
- 8 1792205 MANIFOLD, ZURN SNGL SIDE W/5 PRT

**NOT SHOWN**

- 1227032 ADAPTER, SEATECH BRS 1/2"NPT X 3/8"COMP FAUCT



**WATER SYSTEM (BILGE)**

- 1 1799890 TANK, WATER 36DB-06 75GAL PCKUP TUBE N/SNDR  
1497452 TAPE, FOAM NEOPRENE W/3M 9828 3/8"TH X 2"W
- 2 1793515 BRACKET, SS 1.7"X3"X4.5"X.125THK FUEL TANK
- 3 1814972 MODULE, EDS FRSH WTR SENDER  
1814974 MODULE, EDS TANK LEVEL SENSING
- 4 314773 ELBOW, NYLON 1.5"MPT X 1.5"BARB
- 5 256693 CLAMP, HOSE #24 1"-2" SS .505
- 6 172726 HOSE CUFF, 1.5" RH WHT
- 7 490219 HOSE, CORR SAN/WATER-FILL 1.5" RH
- 8 1109321 DECK PLATE, WATER SS BLUE CLR-CODE  
522599 KEY, DECK PLATE CAP  
(PART OF 1109321)  
522581 DECK PLATE, CAP W/CHAIN  
(PART OF 1109321)
- 9 1433176 VENT, FUEL/WATER SS 5/8" 90DEG FLSSH MNT
- 10 123398 CLAMP, HOSE #06M 5/16"-7/8" SS MINI
- 11 124719 HOSE, SANI/CHEMICAL TDX 5/8"
- 12 167874 ELBOW, GENOVA 1/2"MPT X 1/2"BARB X 90DEG
- 13 1376037 ELBOW, BRASS 90DEG 1/2"MPT X 1/2"MPT
- 14 1789718 CLAMP, CRIMP RING ZURN 1/2"
- 15 1789708 ELBOW, ZURN 1/2" SWIVEL
- 16 1765294 BRACKET, PVC 2"X 2"X 12"
- 17 1789735 TUBING, ZURN 1/2"X 1000' BLUE
- 18 1789686 ADAPTER, ZURN STRAIGHT 1/2" SWIVEL
- 19 1797944 FILTER, IN-LINE WATER 1/2"MPSM X 1/2"NPSF

- 20 1830714 PUMP, FRESH WATER SHURFLO 3.3GPM IMP W/CONN
- 21 1802638 VALVE, ZURN 1/2" MANIFOLD BALL VALVE
- 22 1792205 MANIFOLD, ZURN SNGL SIDE W/5 PRT  
1802624 FITTING, ZURN BRASS 1"MNFLD END STOP  
1802628 BRACKET, PLAS ZURN SNGL MANIFOLD MNT  
1802637 CAP, ZURN 1/2" MANIFOLD

**BRACKETS**

- 1226968 BRACKET, PVC 2"X 2"X 15" WHT

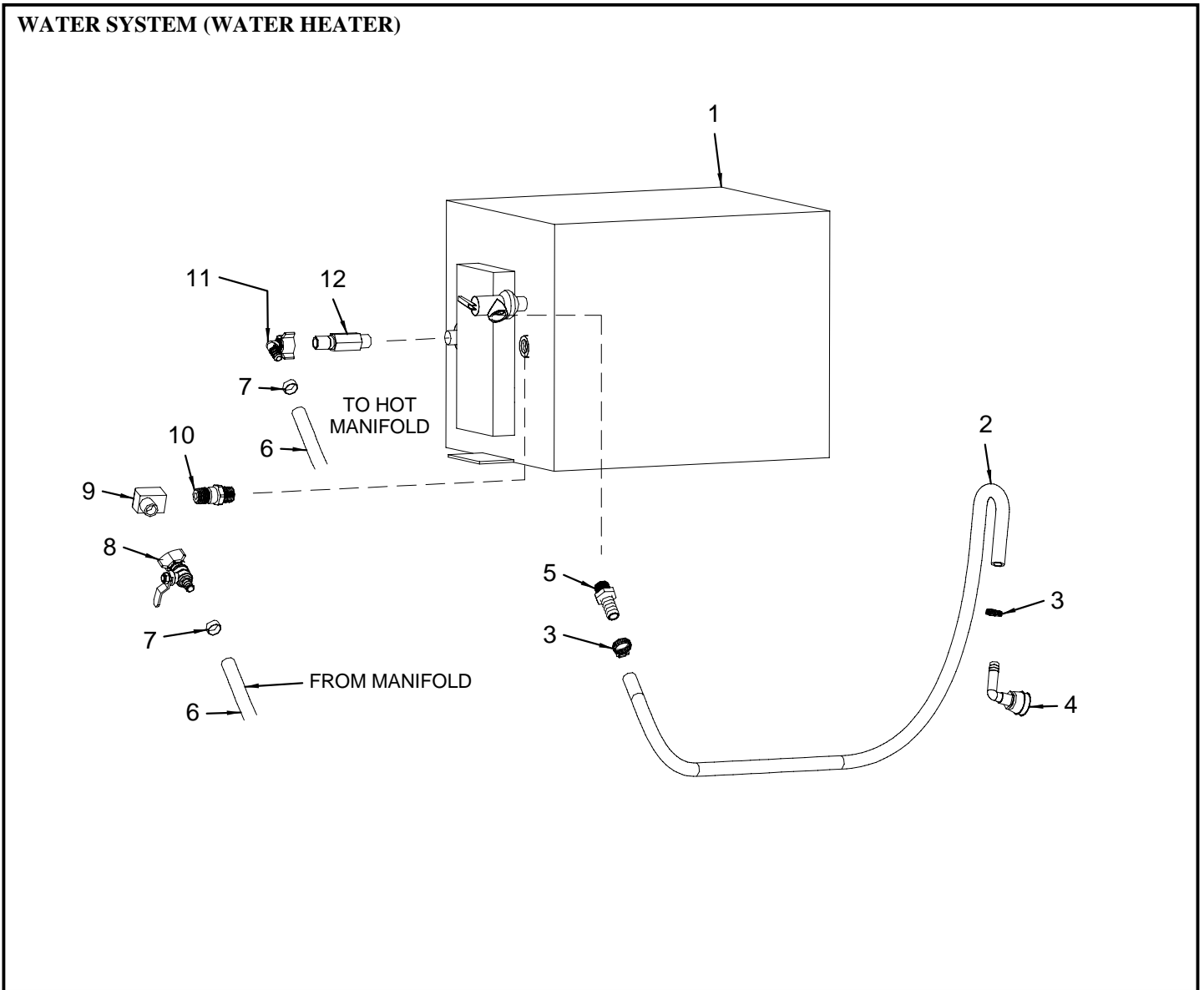
**CLAMPS**

- 261354 CLAMP, LOOM VINYL DIP #38 2 3/8"

**LABELS**

- 1809840 LABEL, MANIFOLD HOT/COLD ZURN 64QKIPSP

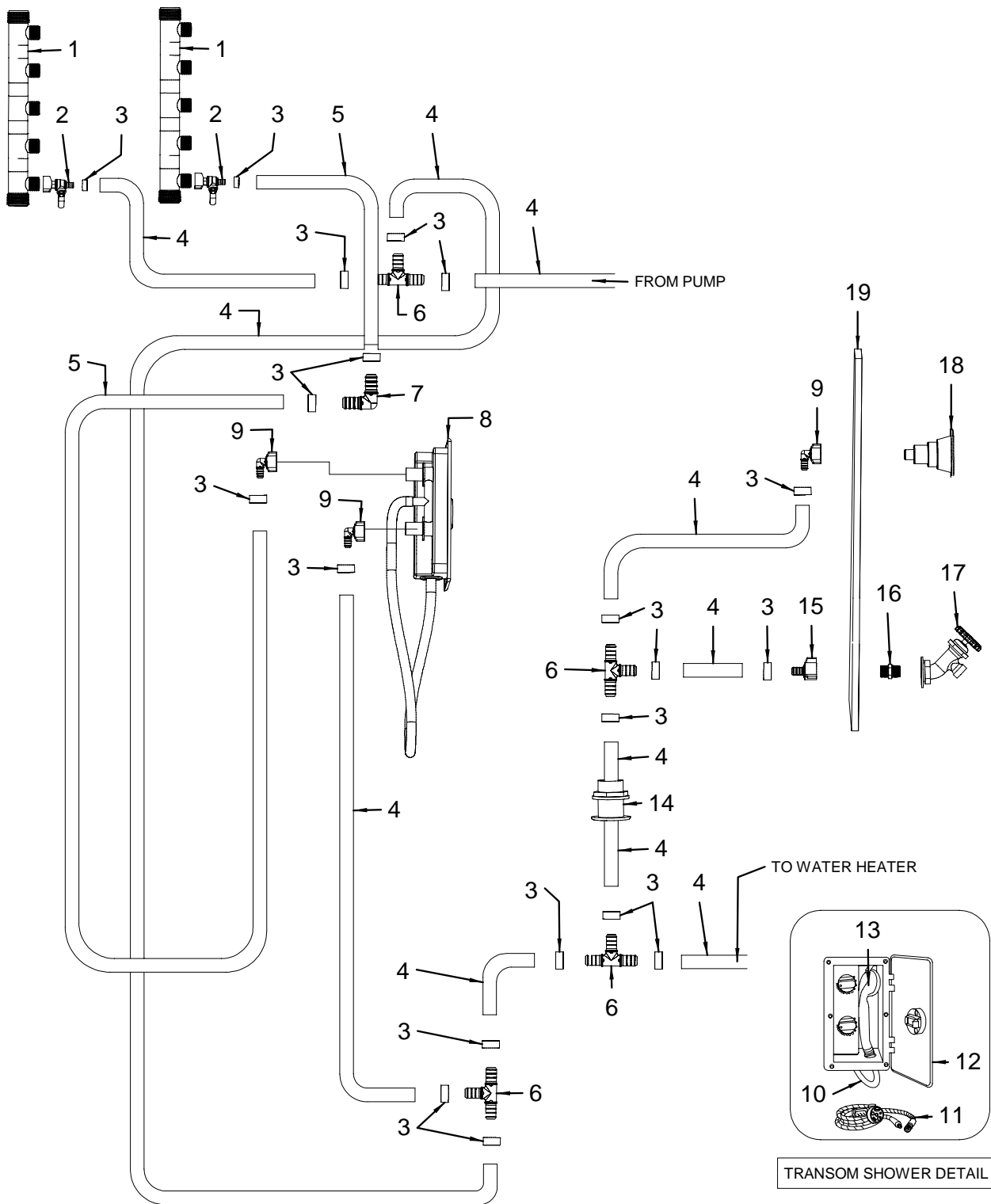
**WATER SYSTEM (WATER HEATER)**



**WATER SYSTEM (WATER HEATER)**

- 1 1142496 HEATER, WATER 6 GAL 110/60 W/75-210T&P
- 1146877 VALVE, TEMPERING 75PSI/210DEG  
(PART OF 1142496)
- 1790450 ELEMENT, HEATER WTR 110/60 W/75-210  
(PART OF 1142496)  
(CAN BE USED ON 6, 11, & 20GL)
- 1156728 HEATER, WATER 6 GAL 220/50 W/75-210T&P
- 2 124685 HOSE, WATER 5/8" EX HVY DTY
- 3 123398 CLAMP, HOSE #06M 5/16"-7/8" SS MINI
- 4 1433176 VENT, FUEL/WATER SS 5/8" 90DEG FLSH MNT
- 5 1789686 ADAPTER, ZURN STRAIGHT 1/2" SWIVEL
- 6 1789735 TUBING, ZURN 1/2"X 1000' BLUE
- 7 1789718 CLAMP, CRIMP RING ZURN 1/2"
- 8 1802638 VALVE, ZURN 1/2" MANIFOLD BALL VALVE
- 9 1376037 ELBOW, BRASS 90DEG 1/2"MPT X 1/2"MPT
- 10 1791673 VALVE, ZURN 1/2" MPT X 1/2" MPT CHECKVALVE
- 11 1789708 ELBOW, ZURN 1/2" SWIVEL
- 12 168898 NIPPLE, BRASS 1/2"MPT X 3.5"

WATER SYSTEM (AFT)

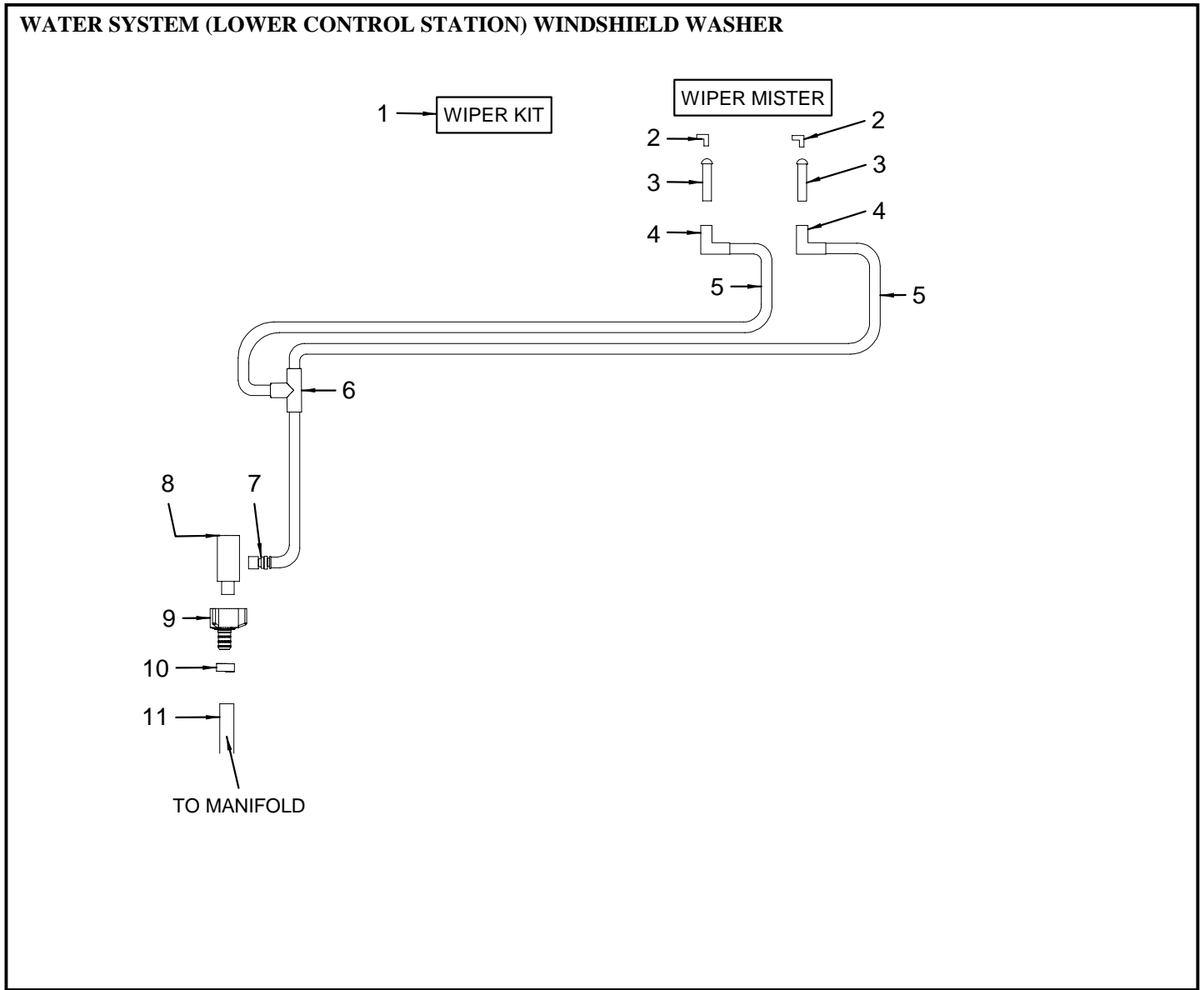


**WATER SYSTEM (AFT)**

- 1 1792205 MANIFOLD, ZURN SNGL SIDE W/5 PRT
- 2 1802638 VALVE, ZURN 1/2" MANIFOLD BALL VALVE
- 3 1789718 CLAMP, CRIMP RING ZURN 1/2"
- 4 1789735 TUBING, ZURN 1/2"X 1000' BLUE
- 5 1789751 TUBING, ZURN 1/2"X 1000' RED
- 6 1789706 TEE, ZURN 1/2" BARB
- 7 1789703 ELBOW, ZURN 1/2" BARB
- 8 736702 FAUCET, WASHDOWN BOX W/MIXER (AQUATIK) VERT  
**(ALL SO SEE REF# 10-13 FOR PARTS OF PART)**
- 1298710 FAUCET, CARTRIDGE CERAMIC 90DEG LH  
**(PART OF 736702)**
- 1302504 FAUCET, CARTRIDGE CERAMIC 90DEG RH  
**(PART OF 736702)**
- 1302579 FAUCET, WASHDOWN SHOWER UNIT ONLY (AQUATIK)  
**(PART OF 736702)**
- 1302587 FAUCET, WASHDOWN DOOR ONLY (AQUATIK)  
**(PART OF 736702)**
- 1302595 FAUCET, WASHDOWN HOSE W/FPT ONLY(AQUATIK)  
**(PART OF 736702)**
- 1302603 FAUCET, WASHDOWN SPRAYER HEAD ONLY(AQUATIK)  
**(PART OF 736702)**
- 1742646 LATCH, WASHDOWN DOOR (AQUATIK)  
**(PART OF 736702)**
- 1848792 FAUCET, WASHDOWN RUBBER SHOWERHEAD HLDR  
**(PART OF 736702)**
- 9 1789708 ELBOW, ZURN 1/2" SWIVEL
- 10 1302595 FAUCET, WASHDOWN HOSE W/FPT ONLY(AQUATIK)  
**(PART OF 736702)**
- 11 1302579 FAUCET, WASHDOWN SHOWER UNIT ONLY (AQUATIK)  
**(PART OF 736702)**
- 12 1302587 FAUCET, WASHDOWN DOOR ONLY (AQUATIK)  
**(PART OF 736702)**
- 1742646 LATCH, WASHDOWN DOOR (AQUATIK)  
**(PART OF 736702)**
- 13 1302603 FAUCET, WASHDOWN SPRAYER HEAD ONLY(AQUATIK)  
**(PART OF 736702)**
- 14 326009 THRU-HULL, PLAS 2" WHT (FULL THREAD)
- 15 1789686 ADAPTER, ZURN STRAIGHT 1/2" SWIVEL
- 16 288415 NIPPLE, BRASS 1/2"MPT X 1.5"
- 17 1096262 FAUCET, SILLCOCK WASHDOWN (WHITECAP)
- 18 141168 INLET, WATER W/PRESS REGULATOR WHT
- 19 1812929 BLKHD, LDPVC 36DB-06 TRNSM WALL INBD

**NOT SHOWN**

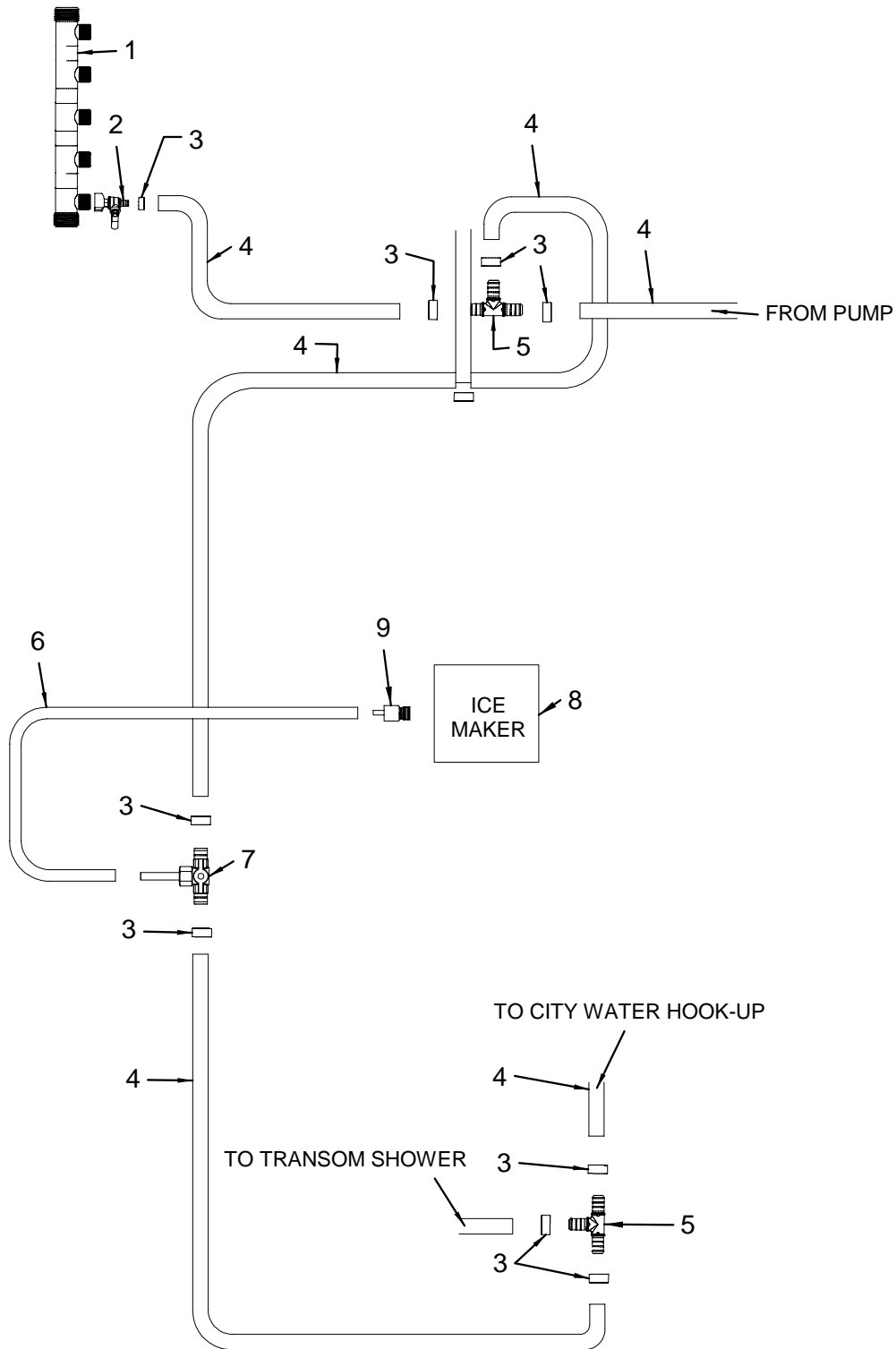
- 1789754 ADAPTER, ZURN 1/2" MALE



**WATER SYSTEM (LOWER CONTROL STATION)  
WINDSHIELD WASHER**

- 1 1719419 WIPER, SEATECH 2/DECK FIT WSHR KIT 90DG 12VDC
- 1599257 ADAPTER, SEATECH 3/8"-24 X 1/4" PUSH-ON  
(PART OF 1719419)
- 2 1599273 ELBOW, SEATECH SS 3/16" STEM W/S WASHER  
(PART OF 1719419)
- 3 1599281 FITTING, SEATECH SS W/S WASHER DECK  
(PART OF 1719419)
- 4 1773928 ELBOW, SEATECH PLAS UNION  
(PART OF 1719419)
- 5 1215201 TUBING, SEATECH 1/4"OD X 1/8"ID X 1000' NAT'L
- 6 1599265 TEE, SEATECH PLAS 1/4" UNION  
(PART OF 1719419)
- 7 1599240 ADAPTER, SEATECH 1/4"MNPT X 1/4" PUSH-ON  
(PART OF 1719419)
- 8 1599232 VALVE, SEATECH BRASS WTR 12VDC  
(PART OF 1719419)
- 9 1789686 ADAPTER, ZURN STRAIGHT 1/2" SWIVEL
- 10 1789718 CLAMP, CRIMP RING ZURN 1/2"
- 11 1789735 TUBING, ZURN 1/2" X 1000' BLUE

WATER SYSTEM (ICE MAKER)





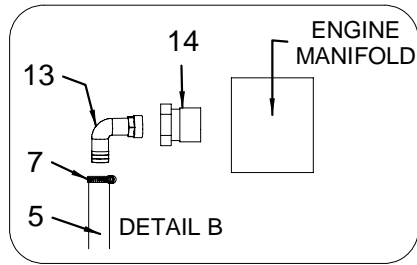
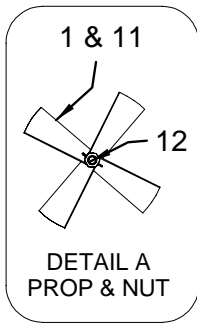
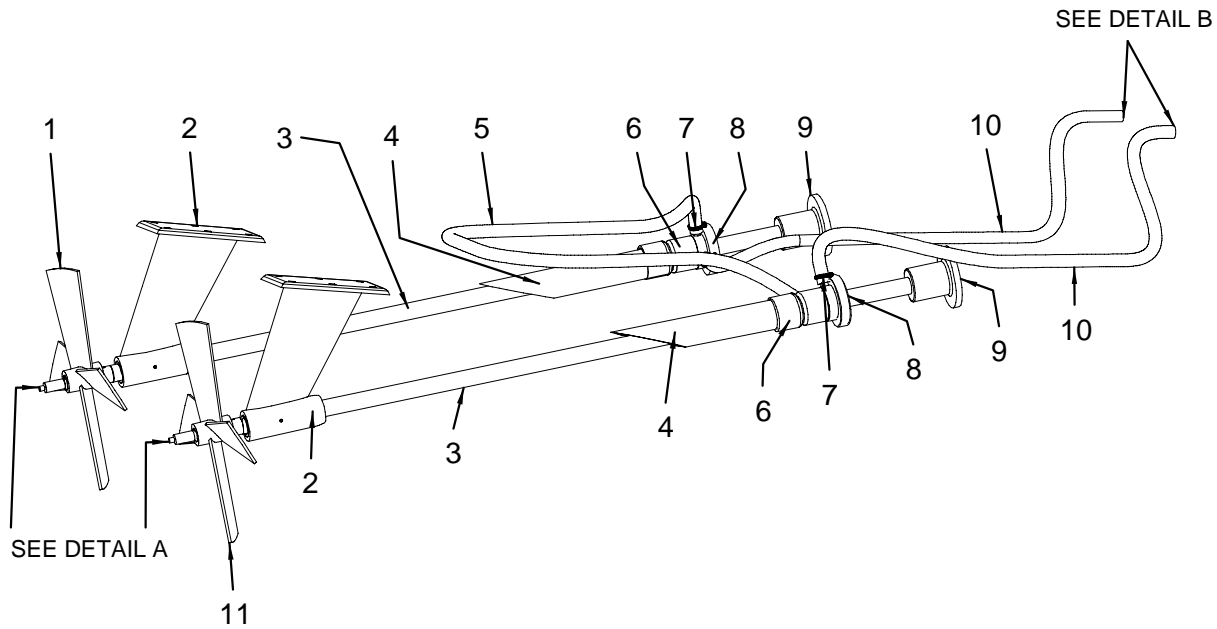
**WATER SYSTEM (ICE MAKER)**

- 1 1792205 MANIFOLD, ZURN SNGL SIDE W/5 PRT
- 2 1802638 VALVE, ZURN 1/2" MANIFOLD BALL VALVE
- 3 1789718 CLAMP, CRIMP RING ZURN 1/2"
- 4 1789735 TUBING, ZURN 1/2"X 1000' BLUE
- 5 1789706 TEE, ZURN 1/2" BARB
- 6 1215201 TUBING, SEATECH 1/4"OD X 1/8"ID X 1000' NAT'L
- 7 1812915 VALVE, ZURN 1/2"BARB W/1/8" DRAIN VALVE TEE
- 8 864678 ICE MAKER, 23 LB WHT W/FLNGE CFC FREE 120V/60
- 1689713 FITTING, BRASS 3/4"FGH X 1/4"COMP  
**(PART OF 864678)**
- 1806112 ICE MAKER, 23 LB WHT W/FLNGE CFC FREE DOOR  
**(PART OF 864678)**
- 1806116 LATCH, ICEMKR DOOR  
**(PART OF 864678)**
- 864686 ICE MAKER, 23 LB WHT W/FLNGE CFC FREE 220V/50
- 1807500 ICE MAKER, 23 LB WHT W/FLNGE 220V/50 LATCH  
**(PART OF 864686)**
- 9 1689713 FITTING, BRASS 3/4"FGH X 1/4"COMP  
**(PART OF 864686)**

**NOT SHOWN**

- 1787507 RECEPTACLE, DUPLEX BRN 15A LVT
- 180463 BOX, RECEPTACLE HANDY DUPLEX METAL
- 1819314 BOARD, LDPVC 36DB-06 CKPT ICEMKR ARW
- 627737 BOX, RECEPTACLE/SWITCH PVC 1-GANG DEEP
- 893263 SWITCH, BLANK IDEA-SERIES GREY
- 893289 FRAME, IDEA-SERIES 3-GANG SUPPORT FRAME GREY
- 1206226 COVER PLATE, IDEA-SERIES 3-GANG  
**(220V)**
- 1646900 CABLE, MARINE UL BOAT 14/3 EURO  
**(220V)**

**STEERING SYSTEM (SHAFT ASSEMBLY)**



**STEERING SYSTEM (SHAFT ASSEMBLY)**

- 1 1851747 PROP, 22"X 23"X 1.5" DQX L4BC NIBRAL H/S
- 1876054 PROP, 23"X 25"X 1.75" DQX R4BC NIBRAL H/S
- 1876055 PROP, 23"X 25"X 1.75" DQX L4BC NIBRAL H/S
- 2 1216423 STRUT, W/BEARING 1.5"W/1/2"MNT HOLES 380DA-99 (GAS)
- 1617992 STRUT, W/BEARING 1.75" 1/2"MNT HOLES YANMAR (DSL)
- 931303 SHIM, BRASS 370/400EC STRUT 1/32"
- 951772 SHIM, BRASS 370/400EC STRUT 1/16"
- 3 1802912 SHAFT, SS 1.5"X 73" (GAS)
- 1802913 SHAFT, SS 1.75"X 74" (DSL)
- 4 417394 TUBING, SHAFT LOG 2 5/8"X 17"L W/22DEG (GAS)
- 841601 TUBING, SHAFT LOG 3.5"OD X 20"X 11.5" (DSL)
- 5 1819115 HOSE, WATER P/C 3/8"X 96" HVY DTY
- 6 1683551 STUFFING BOX, UHMW 1.5"ID 4.75"HOSE (GAS)
- 1691383 HOSE, SHAFT LOG 2.5"X2.625"X4.75"BLUE SILICON (GAS)
- (PART OF 1683551 & 1619436)
- 1733930 CAP, FRONT SEAL SHAFT STUFF BOX 1.5" & 1.75" (GAS)
- (PART OF 1683551 & 1619436)
- 1687169 HOSE, SHAFT LOG 3"X 3.5"X 6.5"BLUE SILICONE (DSL)

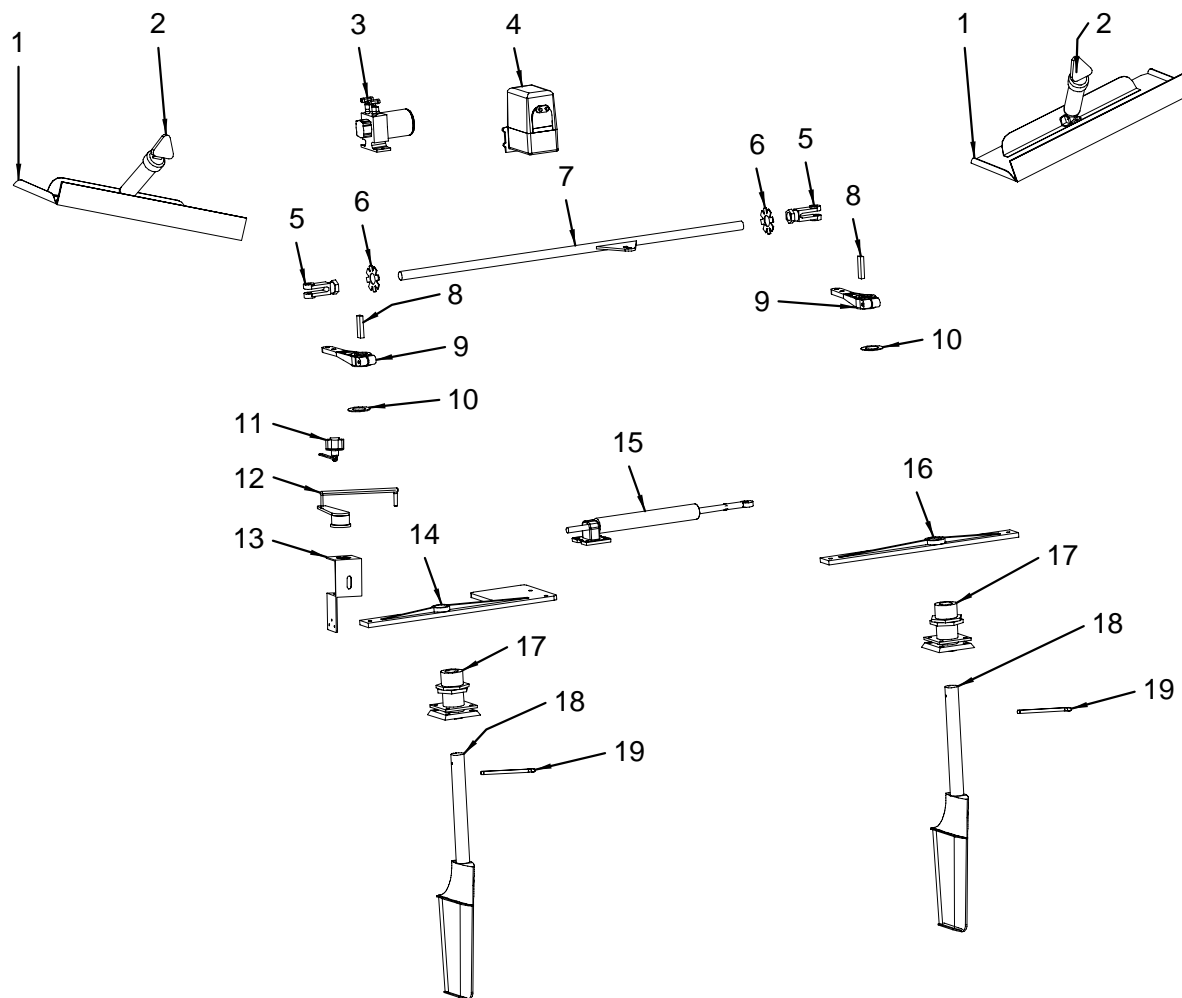
- 6 1619436 (PART OF 1683551 & 1619436) STUFFING BOX, UHMW 1.75"ID 3.5"HOSE DUAL SHRT (DSL)
- 803718 SEAL KIT, SPARE SHAFT STUFFING BOX 1.5"W/TOOL (GAS)
- 803734 SEAL KIT, SPARE SHAFT STUFFING BOX 1.75"W/TOOL (DSL)
- 7 123398 CLAMP, HOSE #06M 5/16"-7/8" SS MINI
- 8 803718 SEAL KIT, SPARE SHAFT STUFFING BOX 1.5"W/TOOL (GAS)
- 803734 SEAL KIT, SPARE SHAFT STUFFING BOX 1.75"W/TOOL (DSL)
- 9 991273 COUPLING, 1.5" BORG-WARNER (GAS)
- 1811894 COUPLING, 5.75"X 1.75" (DSL)
- 10 1767229 HOSE, WATER P/C 3/8"X 48" HVY DTY
- 11 1851709 PROP, 22"X 23"X 1.5" DQX R4BC NIBRAL H/S
- 12 1690739 KEY STOCK, PROP 3/8"X 3 3/8" BRNZ
- 1690747 KEY STOCK, PROP 7/16"X 4 1/8" BRNZ SEA RAY
- 192005 PIN, COTTER PIN 1/8"X 2.5"
- 1690746 PIN, COTTER PIN 3/16"X 1.75" SS
- 1440718 NUT, HEX 1 1/8"X 7 BRZ HVY FULL
- 1440726 NUT, HEX 1 1/8"X 7 BRZ HVY JAM
- 1690744 NUT, HEX 1.25" X 7 BRZ HVY FULL
- 1690745 NUT, HEX 1.25" X 7 BRZ HVY JAM
- 13 169474 ELBOW, BRASS 90DEG 3/8"SAE X 3/8"MPT

14 1583467 BUSHING, BRASS 3/4"MPT X 3/8"FPT REDUCER

**NOT SHOWN**

1427459 PIN, RDR INDCATR RAYMARINE  
1767231 HOSE, WATER P/C 3/8"X 168" HVY DTY

**STEERING SYSTEM (AFT)**



**STEERING SYSTEM (AFT)**

- 1 1848687 TRIM TAB, ASSY 12X18 SGL ACT W/HDWR
- 479972 TRIM TAB, HYD TUBING
- 671875 TRIM TAB, HPU KIT W/ACCYS
- 2 271452 TRIM TAB, HYD CYLINDER ONLY
- 3 852483 AUTO PILOT, RAYPILOT TYPE I PUMP UNIT
- 4 268508 TRIM TAB, HYD PUMP KIT W/3" NIPPLE
- 5 143222 RUDDER CLEVIS, 4" LONG X 1"-14 FPT
- 6 622910 WASHER, TIE BAR LOCK WASHER 1" SS
- 7 1610195 TIE BAR, RUDDER SS
- 8 586347 KEY, RUDDER 1/4" X 1/4" X 1.25" BRASS
- 9 161232 RUDDER ARM, 1.5"
- 622910 WASHER, TIE BAR LOCK WASHER 1" SS
- 10 161257 WASHER, RUDDER WASHER 1.5"
- 11 1610427 HARNESS, MERC S-CRFT STEERING SNSR ASSY
- 1807925 AUTO PILOT, NRTHSTR RUDDER REFERENCE UNIT
- 12 1808028 AUTOPILOT, INDCATR ARM NRTHSTR W/SCRFT
- 13 1727593 BRACKET, SS RUDDER INDICATOR RAYMAR W/S-CRFT
- 14 1789924 RUDDER SUPPORT, STRUT W/STEERING RAM MNT RV1
- 15 416545 STEERING, HYD CYLINDER 150-7ATM
- 16 161182 RUDDER SUPPORTS, 440AC/390EC
- 17 587147 STUFFING BOX, RUDDER W/PACK 1.5"DIA
- 803718 SEAL KIT, SPARE SHAFT STUFFING BOX 1.5"W/TOOL  
(PART OF 587147)
- 213769 STUFFING BOX, PACKING ONLY 1/4" "STERNLON"  
(PART OF 587147)

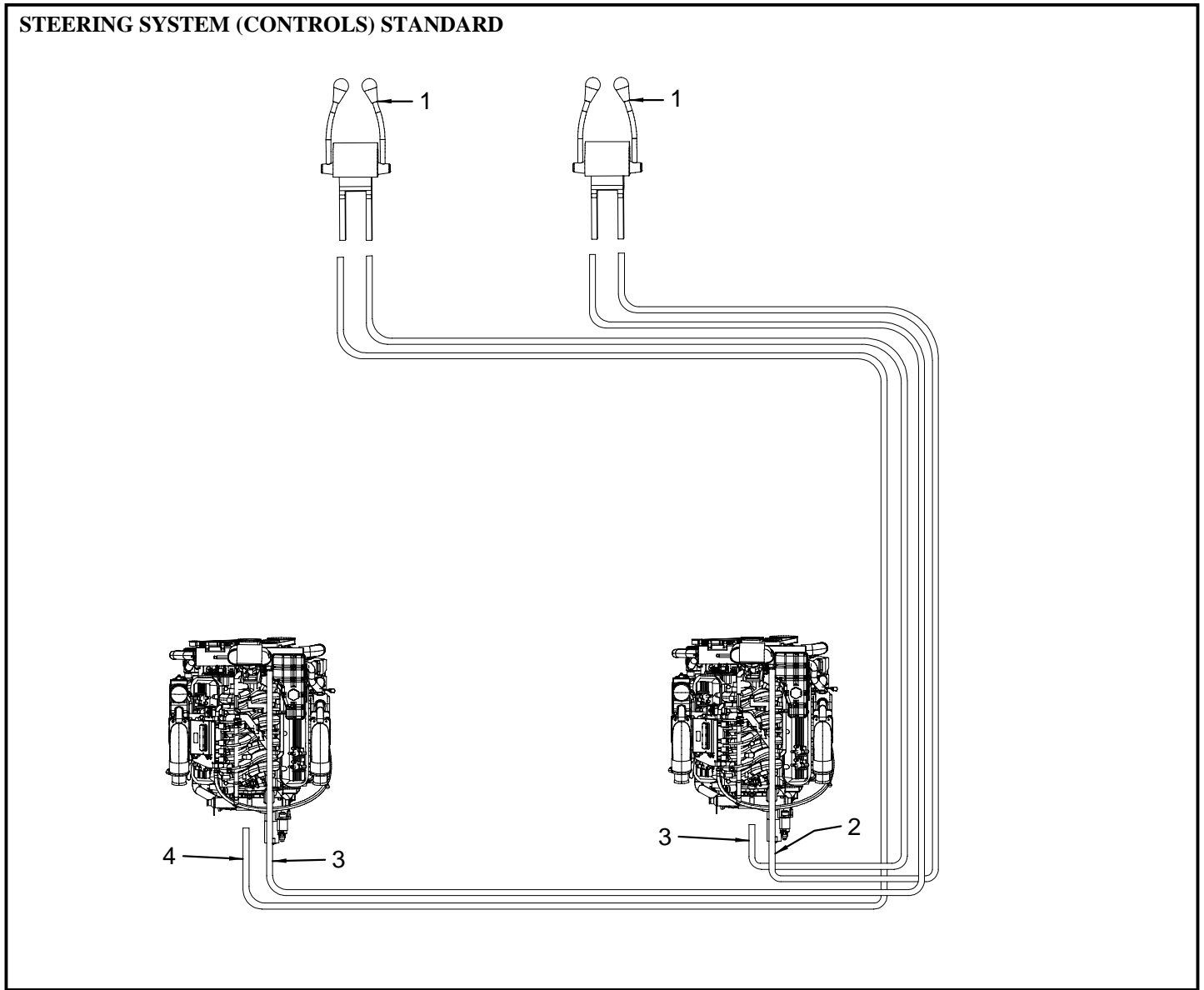
- 18 1751561 RUDDER, 420DB-04
- 161257 WASHER, RUDDER WASHER 1.5"
- 586347 KEY, RUDDER 1/4" X 1/4" X 1.25" BRASS
- 19 192005 PIN, COTTER PIN 1/8" X 2.5"

**HOSE**

- 1762408 STEERING HOSE, 5/16" X 2'W/FITTINGS (SEASTAR)
- 1762407 STEERING HOSE, 5/16" X 3'W/FITTINGS (SEASTAR)
- 1765807 STEERING HOSE, 5/16" X 4'W/FITTINGS (SEASTAR)

**NOT SHOWN**

- 1771726 STEERING, PUMP SEA STAR PWR ASSIST 12V



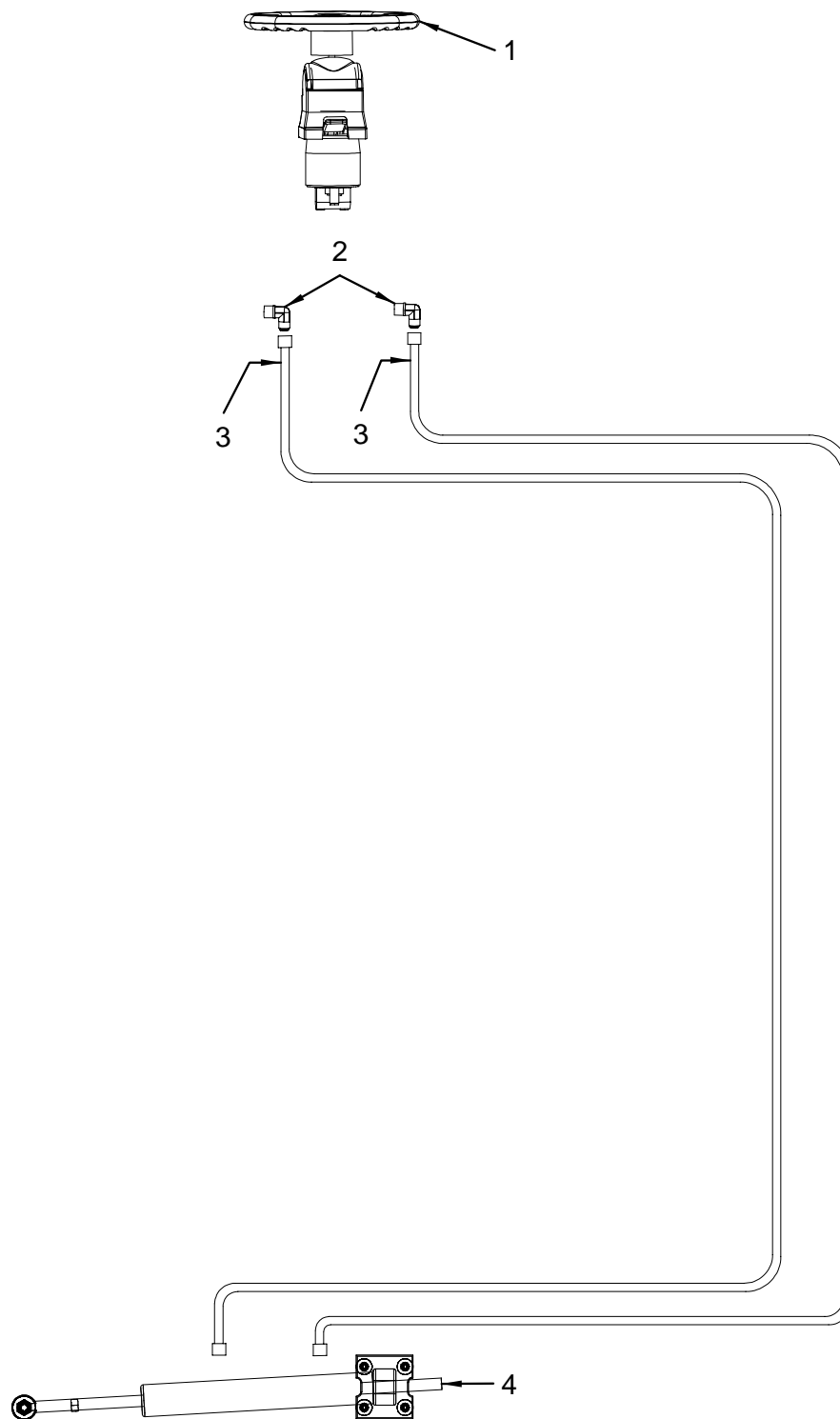
**STEERING SYSTEM (CONTROLS) STANDARD**

- 1 1051689 CONTROL, THRTL/SHFT W/SS HANDLES W/GOLD KNOBS  
907063 KNOB, CONTROL GOLD SMOOTH  
(PART OF 1051689)
- 907097 KNOB, CONTROL GOLD GROOVED W/RED ID  
(PART OF 1051689)
- 1762415 BEZEL, DOME POLISHED SS FOR MRP#1051689  
(PART OF 1051689)
- 2 1881778 CABLE, CONTROL MERC SAE/SAE ENG END PLAT 24'  
(HULL# 561 -> UP)
- 1335827 CABLE, CONTROL TELEFLEX TFXEXTREME 24'  
(HULL# 501 -> 560)
- 3 1881791 CABLE, CONTROL MERC SAE/SAE ENG END PLAT 26'  
(HULL# 561 -> UP)
- 1335785 CABLE, CONTROL TELEFLEX TFXEXTREME 26'  
(HULL# 501 -> 560)
- 4 1881793 CABLE, CONTROL MERC SAE/SAE ENG END PLAT 28'  
(HULL# 561 -> UP)
- 1335793 CABLE, CONTROL TELEFLEX TFXEXTREME 28'  
(HULL# 501 -> 560)

**NOT SHOWN**

- 973586 CONTROL, CONVERTER KIT TELEFLEX-TO-MERC
- 1881781 CABLE, CONTROL MERC SAE/SAE ENG END PLAT 7'  
(ENGINE SYNCHRONIZER - GAS ENGINES)
- 1583509 SYNCHRONIZER, STURDY ACCUSYNC GAS #002  
(ENGINE SYNCHRONIZER - GAS ENGINES)

STEERING SYSTEM (HYDRAULIC ASSEMBLY)

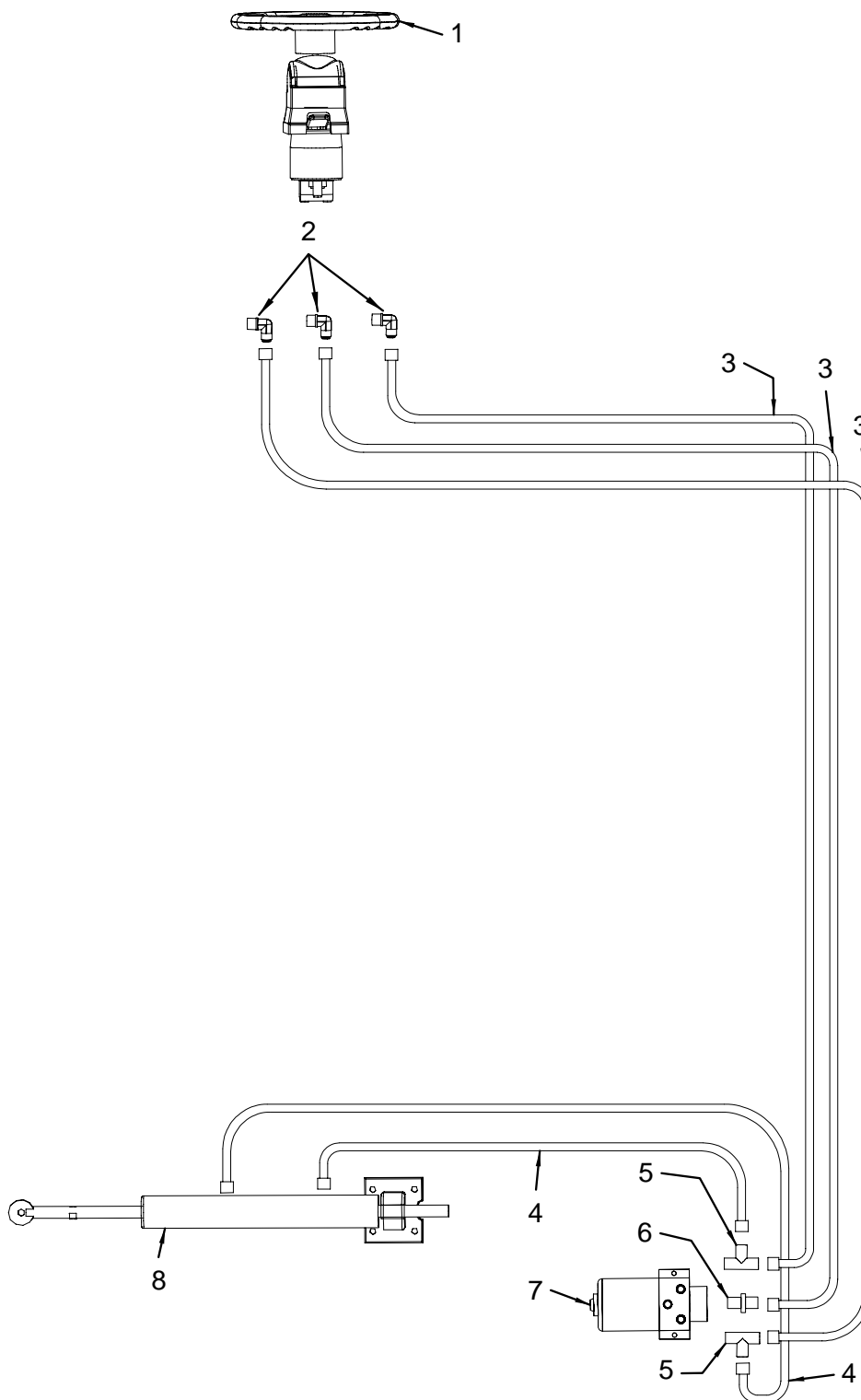


---

**STEERING SYSTEM (HYDRAULIC ASSEMBLY)**

- 1 317032 STEERING, HELM PUMP SEA STAR I TILT
- 2 999284 STEERING, FITTING ELBOW TUBE TO 1/4" MPT
- 3 1780151 STEERING HOSE, 5/16" X 33' W/ FITTINGS (SEASTAR)
- 4 416545 STEERING, HYD CYLINDER 150-7ATM

STEERING SYSTEM (AUTOPILOT)





**STEERING SYSTEM (AUTOPILOT)**

- 1 317032 STEERING, HELM PUMP SEA STAR I TILT
- 2 999284 STEERING, FITTING ELBOW TUBE TO 1/4"MPT
- 3 1762407 STEERING HOSE, 5/16"X 3"W/FITTINGS (SEASTAR)
- 4 1762408 STEERING HOSE, 5/16" X 2"W/FITTINGS (SEASTAR)
- 5 577312 TEE, BRASS 3/8"COMP X 1/4"MPT X 3/8"COMP
- 6 650457 ADAPTER, BRASS 1/4"MPT X 3/8"COMPRESSION
- 7 852483 AUTO PILOT, RAYPILOT TYPE I PUMP UNIT
- 8 416545 STEERING, HYD CYLINDER 150-7ATM

**BRACKETS**

- 1685217 BRACKET, SS COREPAK ADJ

**HARNESSES**

- 1610427 HARNESS, MERC S-CRFT STEERING SNSR ASSY

**HOSE**

- 1765807 STEERING HOSE, 5/16"X 4"W/FITTINGS (SEASTAR)

**LABELS**

- 1747504 LABEL, COMPASS AREA KEEP AWAY MTL OBJECTS

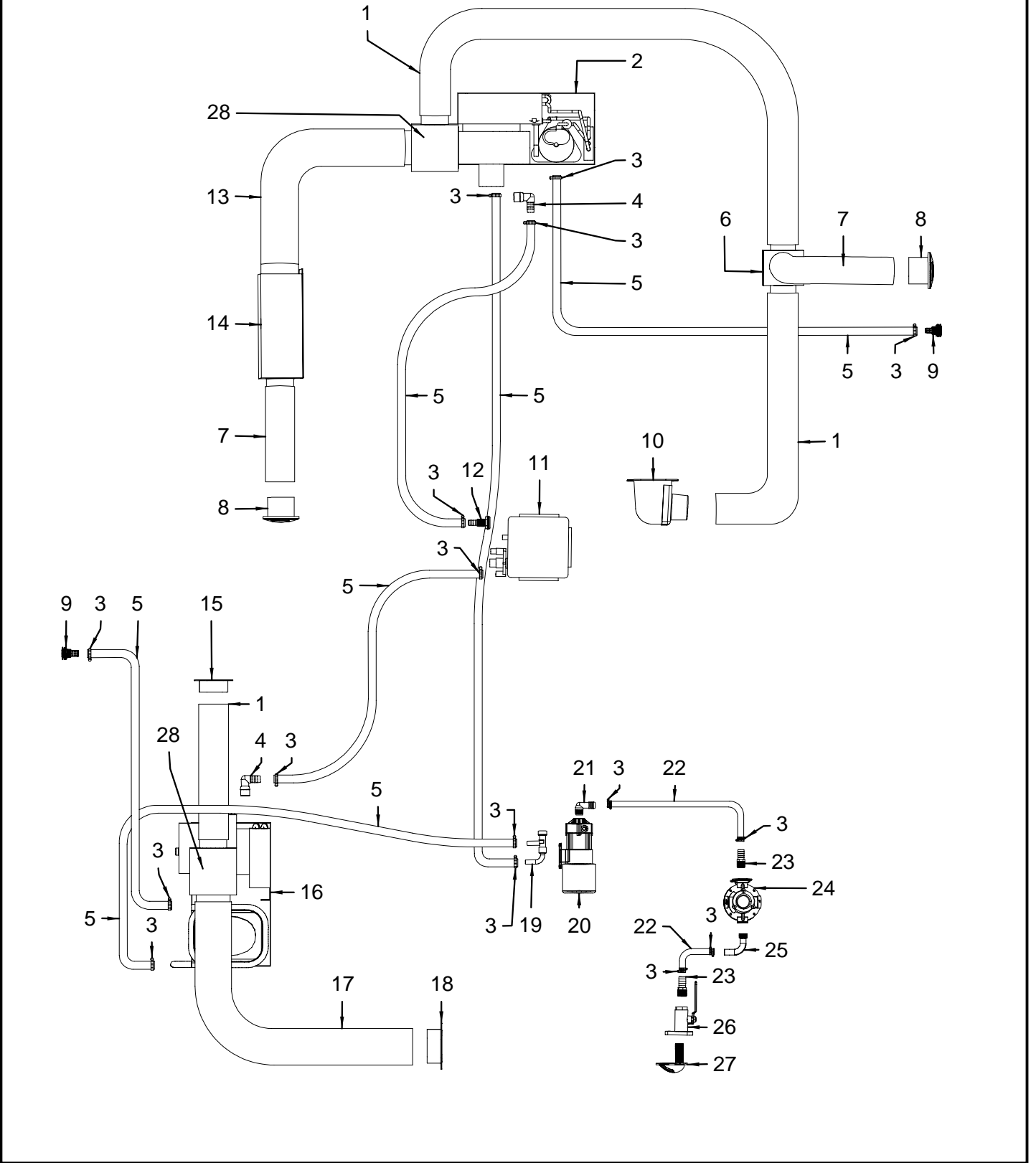
**NOT SHOWN**

- 168849 NIPPLE, BRASS 1/4"MPT X 1.5"HEX
- 1738311 PIN, COTTER PIN #3/32" X 1/2" SS
- 195305 COUPLING, BRASS 1/4" FPT
- 1808029 AUTOPILOT, INDCATR ARM RAYMAR W/SCRFT
- 1612761 AUTO PILOT, RAYPILOT TYPE 1 T150 CORE PACK
- 1698068 AUTO PILOT, RUDDER REFERENCE INDICATOR  
(PART OF 1612761)
- 1755521 AUTO PILOT, RUDDER REFERENCE FOR HC5345  
(PART OF 1612761)
- 1755738 AUTO PILOT, FLUXGATE COMPASS  
(PART OF 1612761)
- 1758953 ANGLE, RUDDER W/SWEEP ARM RAYMARINE  
(PART OF 1612761)

**SPLIT CONDUIT**

- 1501832 HOSE, CONDUIT/SPLIT 3/8" FLAME RETARDANT

AIR CONDITIONING SYSTEM



**AIR CONDITIONING SYSTEM**

1	1153394	HOSE, AC/DUCT INSULATED 4" X 20'
2	1760730	A/C COMP, COMPACT 16K SMXII 115V 60HZ R22
3	123398	CLAMP, HOSE #06M 5/16"-7/8" SS MINI
4	167874	ELBOW, GENOVA 1/2"MPT X 1/2"BARB X 90DEG
5	1058957	HOSE, WATER A/C WHT 5/8"
6	1818850	A/C COMP, PLENUM W/4I 4T 3L
7	639849	HOSE, AC/DUCT INSULATED 3" X 11'
8	1322940	A/C COMP, GRILL 3" BLK W/DBL LVR
9	1688448	THRU-HULL, SS 1 1/8"X 5/8"BARB (HULL# 512 -> UP)
	1778933	THRU-HULL, SS 5/8"BARB SHORT W/RBR GASKET (HULL# 501 -> 511)
10	1741491	A/C COMP, TRANS BOX 3" RING END PLAS
11	1792643	SHOWER, SUMP ASSY MULTI-PORT 750GPH 12V W/CON
12	124487	THRU-HULL, PLAS 5/8" WHT
13	888107	HOSE, AC/DUCT INSULATED 5" X 10'
14	1817367	A/C COMP, PLENUM GRILL W/5R 3L DIV 80/20
15	958140	A/C COMP, HOSE RING 4" OBLONG
16	1760730	A/C COMP, COMPACT 16K SMXII 115V 60HZ R22
	1773075	A/C COMP, COMPACT 16K SMXII 220V 50HZ GG
	1769422	A/C COMP, COMPACT 10K SMXII 220V 50HZ GG
17	1044445	HOSE, AC/DUCT INSULATED 6" X 10'
18	958140	A/C COMP, HOSE RING 4" OBLONG
19	948745	A/C COMP, MANIFOLD DUAL WATER FITTING
20	1817178	A/C COMP, PUMP SEAWATER 115V W/ALUM BASE
	1817177	A/C COMP, PUMP SEAWATER 230V W/ALUM BASE
21	914978	ELBOW, PVC 3/4"MPT X 3/4"BARB 90DEG
22	123810	HOSE, GEN PURPOSE 3/4"
23	531426	ADAPTER, BRZ 3/4"MPT X 3/4"BARB
24	144717	STRAINER, BRZ WATER INTAKE 3/4" SPECIAL #5937
	1161785	STRAINER, BRKT ONLY 3/4" (PART OF 144717)
	1851518	PLUG, BRZ 1/8"NPT (PART OF 144717)
25	169193	ELBOW, BRZ 90DEG 3/4"MPT X 3/4"BARB
26	518431	SEACOCK, BRZ 3/4" W/O TAILPIECE
27	531574	PICK-UP, BRZ WATER INTAKE 3/4"
28	1817356	A/C COMP, PLENUM 16 W/6L 4R

**CLAMPS**

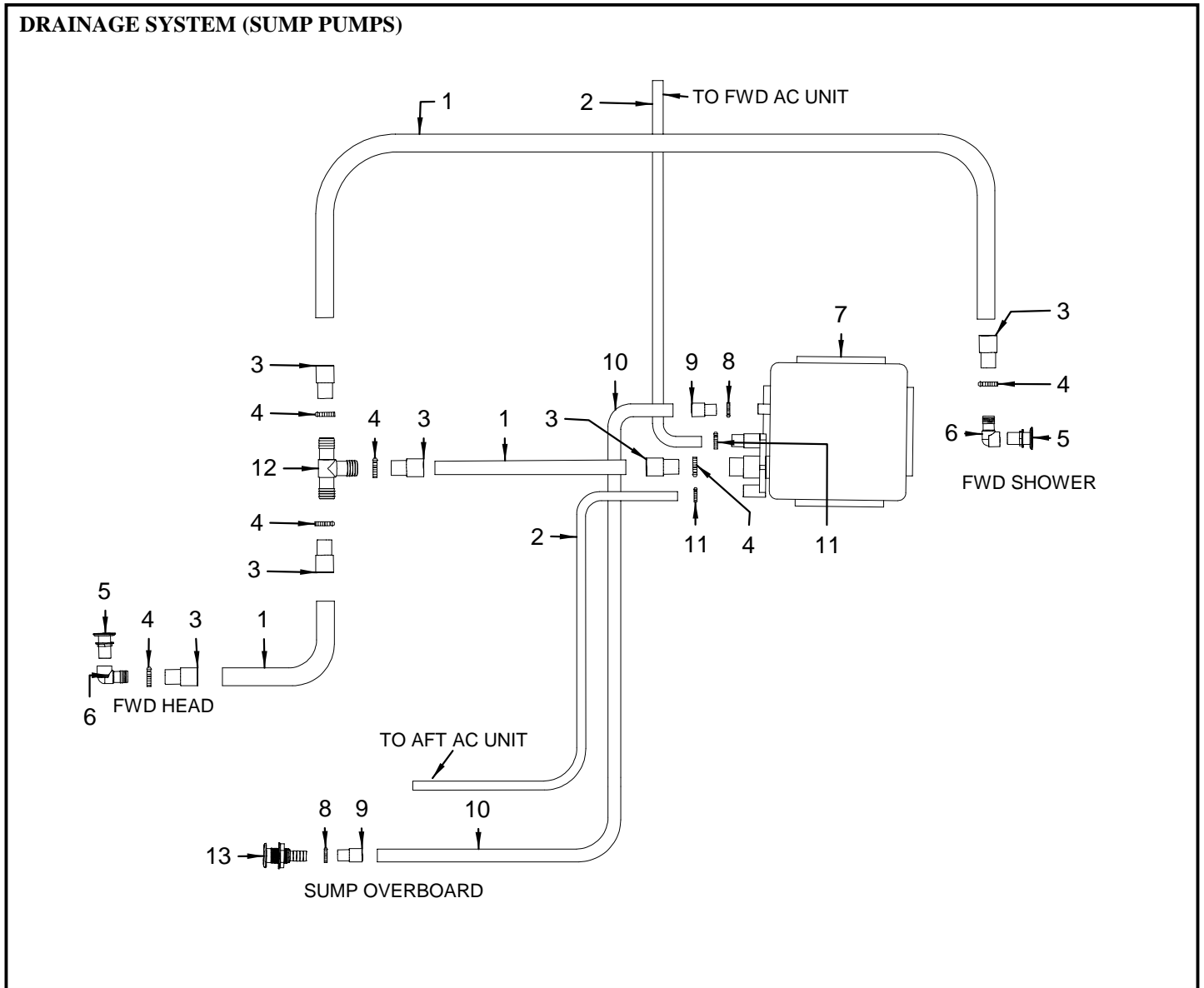
123414	CLAMP, HOSE #12M 5/8"-1.25" SS MINI
256727	CLAMP, HOSE #48 1 5/8"-3.5" SS .505
256743	CLAMP, HOSE #72 3 1/8"-5" SS .505

**NOT SHOWN**

1604230	A/C COMP, GRILL 3" WHT W/DBL LVR
1741439	A/C COMP, PLENUM BLWR W/5"T/4"L-5.5"X5.5"X4.5
1690763	A/C COMP, CABLE INTERCONNECT 20'
1872815	SHIM, HDPE A/C BOARD
838821	A/C COMP, PUMP RELAY 115V
838839	A/C COMP, PUMP RELAY 230V

**SPLIT CONDUIT**

1501824	HOSE, CONDUIT/SPLIT 3/4" FLAME RETARDANT
---------	--



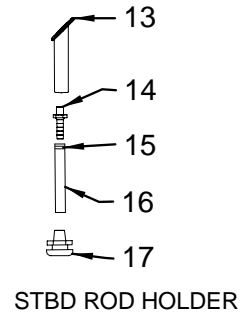
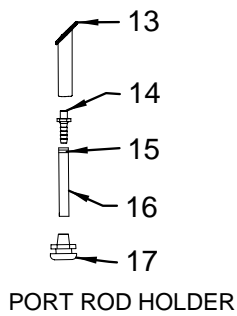
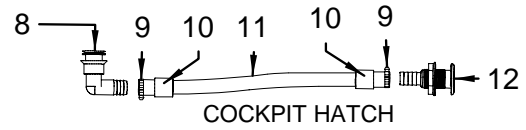
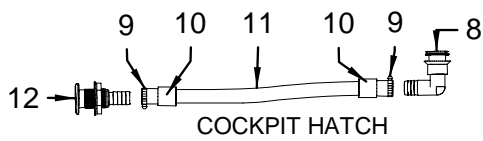
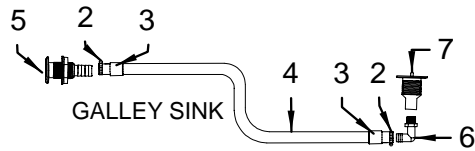
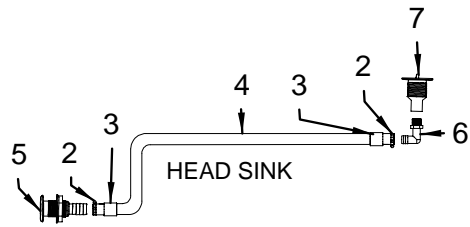
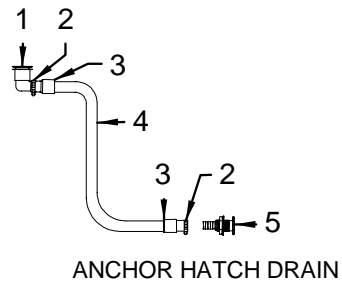
**DRAINAGE SYSTEM (SUMP PUMPS)**

- 1 466664 HOSE, CORR VAC 1" RH
- 2 1058957 HOSE, WATER A/C WHT 5/8"
- 3 466615 HOSE CUFF, 1" RH WHT
- 4 123414 CLAMP, HOSE #12M 5/8"-1.25" SS MINI
- 5 196782 DRAIN ASSY, SHOWER 1.5"
- 344762 DRAIN ASSY, SHOWER SLIP NUT 1.5"  
(PART OF 196782)
- 196733 WASHER, RBR GASKET FLAT 1.5"
- 6 196717 ELBOW, PVC 1.5"FLANGE X 3/4"MPT X 90DEG
- 7 1792643 SHOWER, SUMP ASSY MULTI-PORT 750GPH 12V W/CON
- 8 263954 CLAMP, HOSE #10 1/2"-1 1/8" SS .505
- 9 132258 HOSE CUFF, 3/4"RH
- 10 123877 HOSE, CORR SAN/WATER-FILL 3/4"
- 11 123398 CLAMP, HOSE #06M 5/16"-7/8" SS MINI
- 12 280206 TEE, PVC 1" BARB
- 13 1521426 THRU-HULL, SS 1.5"X 1.5"BARB

**LABELS**

- 1745160 LABEL, 1/2"X 1.5" SHWR DRAIN
- 1745517 LABEL, 1/2"X 1.5" DISCHARGE
- 1751884 LABEL, 1/2"X 1.5" A/C CONDENSATE

DRAINAGE SYSTEM (DRAINS)



**DRAINAGE SYSTEM (DRAINS)**

- 1 1741105 THRU-HULL, ACETAL 1 3/8"-12 THD X 1 1/8 ID
- 2 123414 CLAMP, HOSE #12M 5/8"-1.25" SS MINI
- 3 466615 HOSE CUFF, 1" RH WHT
- 4 466664 HOSE, CORR VAC 1" RH
- 5 1521426 THRU-HULL, SS 1.5"X 1.5"BARB
- 6 196717 ELBOW, PVC 1.5"FLANGE X 3/4"MPT X 90DEG
- 7 175687 DRAIN, SINK STRAINER 2.5" SS W/5/8"BARB
- 1839033 DRAIN, SINK STRAINER BASKET ONLY  
(PART OF 175687)
- 8 791673 THRU-HULL, PLAS 1.5" TUBE X 90DEG
- 9 256693 CLAMP, HOSE #24 1"-2" SS .505
- 10 172726 HOSE CUFF, 1.5" RH WHT
- 11 490219 HOSE, CORR SAN/WATER-FILL 1.5" RH
- 12 1521426 THRU-HULL, SS 1.5"X 1.5"BARB
- 13 1795401 ROD HOLDER, FLUSH MNT SS 30DEG CONTR W/LOGO
- 1634344 CAP, RUBBER 2" ROD HOLDER BLK  
(PART OF 1795401)
- 14 312652 ADAPTER, NYLON 1/4"MPT X 3/8"BARB
- 15 1126747 TIE, CABLE 8.5" SCREW MNT BLK SS BARB
- 16 124347 HOSE, PVC CLEAR 3/8"
- 17 916833 DRAIN, PUSH IN 3/8" WHT

**NOT SHOWN**

- 1691147 ELBOW KIT, 3/4" W/UNISEAL "GRY WTR"  
(GRAY WATER SYSTEM)
- 185041 ADAPTER, PVC 1"OD X 1.5"OD SLIP REDUCING  
(GRAY WATER SYSTEM)
- 314781 ADAPTER, NYLON 1.5"MPT X 1.5"BARB  
(GRAY WATER SYSTEM)

## FLAG BLUE HULL

1630664 COVER, CUSTOM CLAMSHELL AMETHYST BLUE  
 1883350 GEL COAT, BLUSHGUARD FLAG BLUE 5769A90031A  
 1662972 HORN CVR, CONCEALED DUAL SS SM  
 1745812 TAPE, M/S 4.5" W/3/4"VOID WHT  
 1691151 TAPE, VAC PAK WHT (4"X 180) FLAME RETARDANT

## INT B. CYPRESS-CREAM/GREEN (CHAMP/D.BEIGE)

1802625 FOAM, 1/4"X 60"X 60' HD-100  
 1885072 FOAM, 1/4"X 72"X 60' #500344

## INT E. COGNAC-BROWN/BLK (WHT SND/ANT WHT)

1802625 FOAM, 1/4"X 60"X 60' HD-100  
 1885072 FOAM, 1/4"X 72"X 60' #500344

## NAVY CANVAS /MIDNIGHT BLUE /GRAY FIELDSTONE

1849593 BKT SEAT, SPCR/SPYT-06 W/THGHR OMNOVA/MIDB  
 1839169 INSERT, 54X24 OMNOVA 1/4"FB W/8.5" MIDB  
 1849743 INSERT, CORIAN BRDG SEATING GREY FIELDSTONE  
 1803983 VINYL, SLIT 1.5" MIDNIGHT BLUE EXP

## GREEN CANVAS / EMERALD / EVERGREEN

1849594 BKT SEAT, SPCR/SPYT-06 W/THGHR OMNOVA/EMGRN  
 1839171 INSERT, 54X24 OMNOVA 1/4"FB W/8.5" EMRLD GRN  
 1849744 INSERT, CORIAN BRDG SEATING EVERGREEN  
 1790297 VINYL, SLIT 1.5" DADE EMERALD GREEN EXP

## T-8.1 S HORIZON DTS (T-370PHP)MCM INBOARDS

1790090 ACC PART, EXT HARNESS 15' MERC KEY SW  
 1634161 CONN, PACK ELEC 150SERIES (F) 6-POS  
 888651 CONN, PACK ELEC 150SERIES (F) TERM 1.0-.80  
 1634153 CONN, PACK ELEC 150SERIES (M) 6-POS  
 1634948 CONN, PACK ELEC 150SERIES (M/F) 6-POS TPA  
 888669 CONN, PACK ELEC 150SERIES CBLE SEAL DKRED L/P  
 1634229 CONN, PACK ELEC 280SERIES (F) 2-POS  
 1752288 CONN, PACK ELEC 280SERIES (F) TERM 3.0  
 1634211 CONN, PACK ELEC 280SERIES (M) 2-POS  
 1752289 CONN, PACK ELEC 280SERIES (M) TERM 3.0  
 1634963 CONN, PACK ELEC 280SERIES (M/F) 2-POS TPA  
 1634898 CONN, PACK ELEC 280SERIES CAVITY PLUG GRN  
 1787274 CONN, PACK ELEC CBLE SEAL PURPL 1W M/P  
 888677 CONN, PACK ELEC GT-280 CAVITY PLUG 5.2MM  
 1765256 CONN, PACK ELEC WEATHER PACK (F) TERM 16-14GA  
 1765253 CONN, PACK ELEC WEATHER PACK (M) TERM 16-14GA  
 1765250 CONN, PACK ELEC WEATHER PACK 2POS FEMALE  
 1833330 CONN, PACK ELEC WEATHER PACK 4POS MALE  
 1819719 CONTROL, DTS CNSL MNT TWIN KIT CHR  
 731000 FUSE, BLADE TYPE CLOSED 10A  
 1772366 HARNESS, ENG MERC DATA 14-PIN DTS 30'  
 1816908 I/B, MERC 370HP 8.1 HRZ 2.7:1 DTS W/2"RSR  
 1849339 I/B, MERC 8.1 HZN DTS 2.7 2.0"14P  
 1819720 PANEL, BLANK:36DB-06 CNTRL STA SW DTS  
 1830985 PANEL, BLANK:36DB-06 TRNSFR/IGN/EDS DTS 120V  
 1820272 SWITCH, IGN ASSY 3-POS  
 1781396 SWITCH, START/STOP DUAL ENG KIT DTS

## T-CMD QSB 380 (T-364 PHP) DIESEL INBOARDS

681486 ACTUATOR, ROCK BLK W/O LENS ACCY  
 169821 ADAPTER, BRASS 1/2"MPT X 1/2"SAE  
 1746452 ADAPTER, BRASS 1/2"SAE X 3/8" FPT  
 169920 ADAPTER, BRASS 1/4"MPT X 1/2"SAE  
 147611 ADAPTER, BRASS 1/4"MPT X 3/8" BARB  
 140483 ADAPTER, BRASS 1/4"MPT X 3/8" SAE  
 169623 ADAPTER, BRASS 3/8"MPT X 1/2"SAE  
 169524 ADAPTER, BRASS 3/8"MPT X 3/8" SAE  
 1781783 BOARD, HDPE 390DA-05 RECOVERY BOTTLE MOUNT  
 701359 BODY, ROCK SW SPST MOM NC  
 673780 BOOT, RED  
 1756105 BOX, INTERFACE SEATLAK/PC/NMEA  
 1781784 BRACKET, 390DA-05 DIESEL RECOVERY BOTTLE  
 1475391 BRKR, SURF MNT THERMAL 25AMP MANUAL RESET  
 791392 BUSHING, SS THD 1/4" FPT X 3/8" MPT  
 130799 CABLE, BATT BLK #2AWG  
 130781 CABLE, BATT RED #2AWG  
 1884185 CABLE, CONTROL MERC SAE/SAE ENG END PLAT 19'  
 1468214 CABLE, MARINE STRANDED 14/2 (RD/BLK)TPY3 SHLD  
 417998 CLAMP, HOSE #04M 1/4"-5/8" SS MINI  
 256685 CLAMP, HOSE #16 3/4"-1.5" SS .505  
 256727 CLAMP, HOSE #48 1 5/8"-3.5" SS .505  
 1155894 CLAMP, HOSE #6M250 1.75"-2 5/8" SS POWERGEAR  
 1751315 CLAMP, HOSE #6M350 2.75" X 3 5/8" SS POWERGEAR

## T-CMD QSB 380 (T-364 PHP) DIESEL INBOARDS (continued)

261354 CLAMP, LOOM VINYL DIP #38 2 3/8"  
 261362 CLAMP, LOOM VINYL DIP #48 3"  
 123638 CLAMP, LOOM VINYL DIP 1.5"  
 1809520 COLLECTOR, EXH SYS 36DB-06 8"X 6" PRT  
 1809519 COLLECTOR, EXH SYS 36DB-06 8"X 6" STB  
 1634260 CONN, PACK ELEC 280SERIES (F) 4-POS  
 1634997 CONN, PACK ELEC 280SERIES (F) 4-POS TPA  
 1752288 CONN, PACK ELEC 280SERIES (F) TERM 3.0  
 1634898 CONN, PACK ELEC 280SERIES CAVITY PLUG GRN  
 1765252 CONN, PACK ELEC CBLE SEAL GREEN 2.85-2.03MM  
 1787274 CONN, PACK ELEC CBLE SEAL PURPL 1W M/P  
 1817076 CONN, PACK ELEC GT-280 (F) SEALED 8-POS BLUE  
 1817072 CONN, PACK ELEC GT-280 (F) SEALED 8-POS BRN  
 1817087 CONN, PACK ELEC GT-280 (F) TERM 14-16AWG  
 1817079 CONN, PACK ELEC GT-280 CABLE SEAL TAN  
 1817083 CONN, PACK ELEC GT-280 CAVITY PLUG WHT  
 1817085 CONN, PACK ELEC GT-280 TPA  
 1765256 CONN, PACK ELEC WEATHER PACK (F) TERM 16-14GA  
 1765253 CONN, PACK ELEC WEATHER PACK (M) TERM 16-14GA  
 1765250 CONN, PACK ELEC WEATHER PACK 2POS FEMALE  
 1765251 CONN, PACK ELEC WEATHER PACK 2POS MALE  
 1833214 CONN, PACK ELEC WEATHER PACK 4POS FEMALE  
 1833330 CONN, PACK ELEC WEATHER PACK 4POS MALE  
 1836599 CONN, RELAY HOLDER 5 POS  
 632158 CONN, RING 12/10GA X 5/16R W/INSUL  
 1094820 CONN, RING 2GA X 1/2R TIN PLTD CLSD END  
 793281 CONN, RING 2GA X 5/16R .630 BARE ELONG CLSD  
 793356 CONN, RING 4/0GA X 1/2R 1.15 BARE PLTD CLSD  
 1413863 CONTROL, ELECTRIC SHIFT SWITCH FOR SRB  
 1073758 CONTROL, NEUTRAL SAFETY SWITCH  
 1811894 COUPLING, 5.75"X 1.75"  
 1676915 COUPLING, BRASS REDUCING 1/4" FPT X 1/2" FPT  
 723759 COVER, CLAMP END PROT .035"X.300-1/2" RED  
 1116870 COVER, CLAMP END PROT 1/2" L X .020"X .592" RED  
 830968 COVER, CLAMP END PROT 1/2" L X .045"X .465" RED  
 1184746 DECK PLATE, DSL SS 2"W/1.5" OUTLET GRN CLR-COD  
 169102 ELBOW, BRASS 90DEG 1/2"MPT X 1/2"SAE  
 147595 ELBOW, BRASS 90DEG 3/8"SAE X 1/4"MPT  
 169474 ELBOW, BRASS 90DEG 3/8"SAE X 3/8"MPT  
 140418 ELBOW, BRASS 90DEG STREET 1/4"  
 755934 ELBOW, BRZ 45DEG 2"MPT X 2"BARB  
 417550 ELBOW, RED BRASS 45DEG 3/4"MPT X 1"BARB  
 506931 ELBOW, RED BRASS 90DEG 2"MPT X 2"BARB  
 1686552 ELBOW, SS 90DEG 1/2"MPT X 1/2" FPT  
 1215581 EXHAUST, BRZ U/W EXH OUTLET DSL 99  
 1809543 EXHAUST, EL 6"OD X 90DEG OUTLET AFT PRT  
 1809546 EXHAUST, EL 6"OD X 90DEG OUTLET AFT STB  
 828285 EXHAUST, EL 6"X 45DEG RBR  
 1809521 EXHAUST, EL 6"X 68DEG BLUE VHT  
 828277 EXHAUST, EL 6"X 90DEG RBR HT W/T-BOLT CLAMPS  
 1690802 EXHAUST, HOSE HUMP 6" BLUE VHT W/CLAMPS  
 1887695 FERRULE, FUEL LINE 1/2" .850"ID X .90"OD  
 170621 FERRULE, FUEL LINE 1/2"ISO/CE .925"ID  
 1887694 FERRULE, FUEL LINE 3/8" .718"ID X .768"OD  
 1819807 FERRULE, FUEL LINE 3/8"ISO/CE .775"ID  
 1524065 FILTER, REMOTE FUEL DSL (500MASR)  
 1524073 FILTER, REMOTE FUEL DSL (900MASR)  
 170605 FITTING, BRASS 1/2"BARB/NUT  
 170589 FITTING, BRASS 3/8"BARB/NUT  
 1887748 FITTING, BRASS BARB/NUT 1/2" FEMALE SAE  
 1887747 FITTING, BRASS BARB/NUT 3/8" FEMALE SAE  
 738708 FUSE HOLDER, BLADE TYPE ACCY 25A  
 1690513 GAUGE, TACH VDO 0-4000 RPM  
 1802775 GENERATOR, 9.0 DSL ONAN SPCSVR 120/60HZ SCRFT  
 1148857 HALON SYS, ENG INTRUPT/RESTRT 12V 5-CKT  
 1781539 HARNESS, PIGTAIL 5FT SRN II XDUCR INTERFACE  
 1757379 HARNESS, TRNSDCR DEPTH/TEMP 30' NRTHSTR 6000I  
 913053 HOSE, EXHAUST 2" CORR HW  
 968933 HOSE, EXHAUST 3" CORR  
 123786 HOSE, FUEL 1/2" TYPE A CLASS 1 ISO/CE  
 1884012 HOSE, FUEL 1/2" TYPE A CLASS 1-15 ISO/CE/CARB  
 123760 HOSE, FUEL 3/8" TYPE A CLASS 1 ISO/CE  
 1884011 HOSE, FUEL 3/8" TYPE A CLASS 1-15 ISO/CE/CARB  
 196667 HOSE, GEN PURPOSE 1"  
 123810 HOSE, GEN PURPOSE 3/4"  
 1743309 HOSE, WATER INTAKE 2" HVY DTY (CORRUG)  
 480491 HOSE, WATER INTAKE 2" HW  
 1800532 I/B, CUM/MERC 364SHP QSB ZF80A 1.96:1 RH  
 1800533 I/B, CUM/MERC 364SHP QSB ZF80A 1.96:1 LH  
 1744743 LABEL, 2"X 1/2" GENERATOR

**T-CMD QSB 380 (T-364 PHP) DIESEL INBOARDS (continued)**

1744740	LABEL, 2"X 1/2" PRT
1743511	LABEL, 2"X 1/2" STB
1849337	LABEL, BATTERY PLACEMENT 36DB STB SIDE
1784602	MUFFLER, 2"IN X 2"OUT 9"X 9" BASE
1757382	NAVIGATOR, SRNIII TRANSDUCR DEPTH/TEMP W/PT NY
1287002	PAINT, SPRAY "HARD HAT" WHITE HI-GLOSS
1812926	PANEL, BLANK:36DB-06 CNTRL STA SW DSL
1820274	PANEL, BLANK:36DB-06 TRNSFR/IGN/EDS DSL 120V
516617	PICK-UP, BRZ WATER INTAKE 2"
1398692	PLUG KIT, DEUTSCH DT04-12P RECPT W/PIN
1313766	PLUG KIT, DEUTSCH DT04-4P RECPT W/PIN
1398676	PLUG KIT, DEUTSCH DT04-8P RECPT W/PIN
1398700	PLUG KIT, DEUTSCH DT06-12S PLUG W/SCKT
1313717	PLUG KIT, DEUTSCH DT06-2S PLUG W/SCKT
1313725	PLUG KIT, DEUTSCH DT06-4S PLUG W/SCKT
1398684	PLUG KIT, DEUTSCH DT06-8S PLUG W/SCKT
1314079	PLUG KIT, DEUTSCH S/C 14-16AWG PIN
1314087	PLUG KIT, DEUTSCH S/C 14-16AWG SCKT
1334044	PLUG KIT, DEUTSCH SEAL PLUG 12-18GA
1398593	PLUG KIT, DEUTSCH SEC LOCK PLUG 12-POS
1364751	PLUG KIT, DEUTSCH SEC LOCK PLUG 4-POS
1398619	PLUG KIT, DEUTSCH SEC LOCK PLUG 8-POS
1398601	PLUG KIT, DEUTSCH SEC LOCK SCKT 12-POS
1313808	PLUG KIT, DEUTSCH SEC LOCK SCKT 2-POS
1313832	PLUG KIT, DEUTSCH SEC LOCK SCKT 4-POS
1398635	PLUG KIT, DEUTSCH SEC LOCK SCKT 6-POS
1743440	PLUG, BRASS 1/2" MPT SAE LINE #639F-8
1876055	PROP, 23"X 25"X 1.75" DQX L4BC NIBRAL H/S
1876054	PROP, 23"X 25"X 1.75" DQX R4BC NIBRAL H/S
1092048	PUMP, OIL CHANGE KIT 12V 3-VALVE
1836602	RELAY, HELLA SEALED 5 POS
843854	SEACOCK, BRZ 2"
803734	SEAL KIT, SPARE SHAFT STUFFING BOX 1.75"W/TOOL
1802913	SHAFT, SS 1.75"X 74"
1320068	STRAINER, BRKT ONLY 2"
680447	STRAINER, BRZ WATER INTAKE 2"
1617992	STRUT, W/BEARING 1.75" 1/2"MNT HOLES YANMAR
1619436	STUFFING BOX, UHMW 1.75"ID 3.5"HOSE DUAL SHRT
1884088	SUPPORT, LINER CKPT 26 5/8"A-FRM ADJ SS REV1
1850224	SUPPORT, SPAR 36DB-07 EXHAUST DSL 4-PC
1749612	SYPHON BREAK KIT, GEN EXH ONAN 3/4"
869305	TAILPIECE, BRZ 2"MPT X 2"BARB
1850875	TERMINAL, FEMALE "PULL-TO-SEAT" #630 5.0-3.0
1761644	THRU-HULL, SS EXHAUST 3" X-LONG
1809522	TUBING, EXH GLASS 20"X 6"
841601	TUBING, SHAFT LOG 3.5"OD X 20"X 11.5"
1687213	VALVE, BRASS FUEL 1/2"MPT X 1/2" FPT
171736	VALVE, BRASS FUEL 1/4"MPT X 1/4" FPT

**T-8.1 S HORIZON (T-370 PHP) MCM INBOARDS**

1849338 I/B, MERC 8.1 HZN 2.7 2.0"14P

**TV FLAT SCREEN W/DVD - STARBOARD STATEROOM**

180463	BOX, RECEPTACLE HANDY DUPLEX METAL
192492	CONN, ROMEX PLAS 1/2"
1787508	COVER PLATE, SGL DUPLEX RECEPT BRN LVT
1761365	DVD, CYBERHOME CH-DVD 300 PAL TUNER 120/240V
1787507	RECEPTACLE, DUPLEX BRN 15A LVT
1839535	TELEVISION, 15" SHARP LCD LC15S5US

**TEAK BRIDGE STEPS, COCKPIT & SWIM PLATFORM**

1837524	FLOOR, TEAK 36DB-06 CKPT W/GLUE/INSTAL
1849892	HINGE, SS CONT 4"X 19" W/5/16" HOLE DIAM

**ARCHTOP, W/DECK HATCH, LIGHTING & ENCLOSURE**

1836282	CANVAS, 36DB-06 BRDG ENCL ARCH TOP TST
1836720	CANVAS, 36DB-06 BRDG SNSHD TOP ARCH TOP TST
1818956	COVER, LDPVC CKPT ARCH TOP 1/2"ARW
1817435	FRAME, ALUM 36DB-06 ARCH TOP CANVAS
1174614	GASKET, DECK HATCH 20X20
1684126	GEL COAT, ARCTIC WHT (DRUMS)
1816889	HATCH, DECK 20X20 ULTRA II NO CLP W/SNSHD MOD
1851894	HDWR KIT, 36DB-07 ARCH TOP
1765879	LABEL, DANGER DO NOT CLIMB/STORE ON HARDTOP
1849352	RAIL, SS 36DB-06 HARDTOP SUPPORT PRT
1849353	RAIL, SS 36DB-06 HARDTOP SUPPORT STB
1802901	RAIL, SS GRAB 36DB-06 AFT BRDG ASSY W/ARCHTOP
1802896	SUPPORT, 38DA-06 RATCHET LIGHT MAST W/H 24"
718080	TRIM RING, HATCH 20X20 1"LIP WHTPC

**HULL GELCOATED BLUE**

1630664	COVER, CUSTOM CLAMSHELL AMETHYST BLUE
1687628	GEL COAT, MAXGUARD MIDNIGHT BLUE
1761026	GEL COAT, MIDNIGHT BLUE W/PATCHAID 5GAL
1662972	HORN CVR, CONCEALED DUAL SS SM
1745812	TAPE, M/S 4.5" W/3/4"VOID WHT
1691151	TAPE, VAC PAK WHT (4"X 180) FLAME RETARDANT

**HULL GELCOATED PEWTER**

1797185	COVER, CUSTOM CLAMSHELL PEWTER
1796295	GEL COAT, NEW PEWTER VALSPAR
1662972	HORN CVR, CONCEALED DUAL SS SM
1790430	TAPE, M/S 4.5" W/3/4" VOID, BLK/PRLMET
1691151	TAPE, VAC PAK WHT (4"X 180) FLAME RETARDANT

**AUSTRALIAN BUILDERS PLATE**

1850626	PLATE, BUILDERS AU 06-36DB
1888202	PLATE, BUILDERS AU 07-36DB

**LIGHTING, UNDERWATER - TRANSON**

522813	BOX, RECEPTACLE PVC SURFACE MOUNT CARLON
1478841	CONN, NYLON 1/2" ROUND SKIN TOP WATERPROOF
1836599	CONN, RELAY HOLDER 5 POS
147397	COVER PLATE, CARLON BOX SGL
1837596	LIGHT, UNDRWTR SV20/12V
1872404	LIGHT, UNDRWTR SV20/12V W/HRNS
1836602	RELAY, HELLA SEALED 5 POS

**S.R. NAV 3 NETWORK CAMERA - COCKPIT & BILGE**

1818759	CAMERA SYSTEM, SRNIII PANASONIC NETWORK
1838669	HARNESS, SRNIII LAN CBL 30' RV1
1818716	HARNESS, SRNIII LAN CBL 60'
1818761	NAVIGATOR, SRNIII NETWORK INTRFACE HUB 6 PORT

**HULL GELCOATED BLACK**

1802212	COVER, CUSTOM CLAMSHELL ABS/DR PAINTED BLK
1839321	GEL COAT, BLACK MAX MP BG-MP-0066M
1662972	HORN CVR, CONCEALED DUAL SS SM
1745812	TAPE, M/S 4.5" W/3/4"VOID WHT
1691151	TAPE, VAC PAK WHT (4"X 180) FLAME RETARDANT

**SPOTLIGHT W/ DUAL HALOGEN BULBS (ACR)**

1779735	CABLE, COAXIAL RG6 1000' WHT
497909	CONN, BUTT 16/14GA INS W/INS GRIP
864306	CONN, COAX 'F' TWIST-ON
1817036	HOSE, CONDUIT/UNSPILT 1.25" FLAME RETARDANT
1756729	PAD, SPOTLIGHT REMOTE CONTROL
930263	SPOTLIGHT, ACR HALOGEN WHT 12V
1756730	SPOTLIGHT, MASTER CONTROLLER W/LIGHT TURN-ON

**NORTHSTAR 491 FISHFINDER (6000I/6100I ONLY)**

1795128	DEPTH FINDER, NRTHSTR 491FF MODULE
1795136	HARNESS, NRTHSTR 491FF TRANS DEP/TEMP 30'
1795135	TRANSDUCER, NRTHSTR 491FF DEP/TEMP W/6'PGTAIL

**WHEATON CARPET COLOR - OPTIONAL**

1467182	CARPET, INT 44 OZ WHEATON 6'W 100% BCF NYLON
---------	--

**WINDSHIELD COVER & WINDSHIELD SHADE**

1854316	CANVAS, FWD BRDG CVR/SHD BLK MESH
1879865	CANVAS, SLN W/S PRIVACY CVR/SHD TST

**BOW & STERN THRUSTERS**

1186337	BATTERY, GROUP 31 DEEP CYCLE
650507	BOOT, BATTERY CABLE 4/0 BLK 11/16"
650499	BOOT, BATTERY CABLE 4/0 RED 11/16"
1751179	BOOT, BATTERY THREADED STUD COVER RED #458
1689904	BOOT, PVC TERM INSUL CAP RED
673780	BOOT, RED
1727462	BOW THRUSTER, CABLE SIDE PWR CNTRL 15M
1835912	BOW THRUSTER, SIDE PWR 165LB THRST 24V
1670033	BOW THRUSTER, TUNNEL 185X1500X6MM
1475391	BRKR, SURF MNT THERMAL 25AMP MANUAL RESET
136044	CABLE, BATT BLK #4/0AWG
184051	CABLE, BATT RED #2/0AWG
136051	CABLE, BATT RED #4/0AWG
135202	CABLE, MARINE STRANDED 12/3
1468214	CABLE, MARINE STRANDED 14/2 (RD/BLK)TYP3 SHLD
360537	CONN, BATT LUG 2/0 NEG W/NUT/BOLT
360495	CONN, BATT LUG 2/0 POS W/NUT/BOLT
192385	CONN, BATT LUG 4/0GA NEG W/NUT/BOLT
192393	CONN, BATT LUG 4/0GA POS W/NUT/BOLT



**BOW & STERN THRUSTERS (continued)**

155002	CONN, BUTT 12/10GA N/L
1817072	CONN, PACK ELEC GT-280 (F) SEALED 8-POS BRN
1817087	CONN, PACK ELEC GT-280 (F) TERM 14-16AWG
1817079	CONN, PACK ELEC GT-280 CABLE SEAL TAN
1817083	CONN, PACK ELEC GT-280 CAVITY PLUG WHT
1817085	CONN, PACK ELEC GT-280 TPA
154880	CONN, RING 12/10GA X 10R W/INSUL
153932	CONN, RING 16/14GA X 10R W/INSUL
793331	CONN, RING 2/0GA X 1/2R .928 BARE PLTD CLSD
793273	CONN, RING 2/0GA X 5/16R BATT/CBL COP PLTD CL
793356	CONN, RING 4/0GA X 1/2R 1.15 BARE PLTD CLSD
793349	CONN, RING 4/0GA X 3/8R 1.15 BARE PLTD CLSD
1331321	CONN, RING 4/0GA X 5/16R 1.1
560268	CONN, RING 6GA X 3/8R .643 W/INSUL
1742532	CONVERTER, 25AMP PROTECT-2425 24VDC
987446	FUSE BLOCK, BLADE TYPE ANL350/500
1585470	FUSE, ANL250 IGN PROTECTED
130435	HOLDER, BATTERY GR27 BLK NYLON W/SS
1849336	LABEL, BATTERY PLACEMENT 36DB W/BOW THRSTR
1849335	LABEL, BATTERY PLACEMENT 36DB W/STRN THRSTR
1751061	LABEL, BOW THRUSTER
1813640	LABEL, STERN THRUSTER
1814360	MODULE, EDS 2CH-5A DUAL REVERSING
1355338	PAINT, BOTTOM BLACK HYDROCOAT
980219	SOLENOID, MAGNET LATCHING 12V 200A/1200A
1800993	STERN THRUSTER, DOCKING CNTRL PNL
1835913	STERN THRUSTER, SIDE PWR 165LB THRST 24V IGNP
1835915	STERN THRUSTER, STRN TNL COWLING 185MM ID 2PC
1835914	STERN THRUSTER, TUNNEL 185MM FOR SP75/SP95

**NORTHSTAR 6000I 12"GPS/ CHARTPLOTTER /RADAR**

1013606	BUSS BAR, SGL POST 3/8-16
731000	FUSE, BLADE TYPE CLOSED 10A
1770974	HARNESS, GPS CBL 20' NRTHSTR 6000I
1770975	HARNESS, GPS CBL EXT 15' NRTHSTR 6000I
1795162	HARNESS, PIGTAIL 5'SRN II XDUCR TO 6000I
1770981	HARNESS, RADAR CBL 20' NRTHSTR 6000I
1770985	HARNESS, RADAR CBL EXT 15' NRTHSTR 6000I
1757379	HARNESS, TRNSDCR DEPTH/TEMP 30' NRTHSTR 6000I
1746045	LABEL, DANGER NO LOOKING DIRECTLY INTO RADOME
1807060	NAVIGATOR, NRTSTR 6000I 12.1" CMPLT PKG
1757382	NAVIGATOR, SRNII TRANSDUCR DEPTH/TEMP W/PT NY
1812927	PANEL, BLANK:36DB-06 ELEC SYSVW/NRTHSTR 12"
1831114	PEDESTAL, RADAR ALUM 24.5"WHT NRTHSTR/SRN
1773030	PLUG KIT, DEUTSCH DTM06-2S PLUG W/SCKT
1741427	PLUG KIT, DEUTSCH S/F 20AWG SCKT
1773043	PLUG KIT, DEUTSCH SEC LOCK DTM06-2S
1770978	RADAR, NRTHSTR 6000I 4KW CMPLT PKG

**NORTHSTAR AUX. 6000I 12" GPS / CHARTPLOTTER**

1539204	BRACKET, 1/8"X 3.5"X 5" ANTENNA MOUNT
1013606	BUSS BAR, SGL POST 3/8-16
731000	FUSE, BLADE TYPE CLOSED 10A
1770974	HARNESS, GPS CBL 20' NRTHSTR 6000I
1770975	HARNESS, GPS CBL EXT 15' NRTHSTR 6000I
1795162	HARNESS, PIGTAIL 5'SRN II XDUCR TO 6000I
1757379	HARNESS, TRNSDCR DEPTH/TEMP 30' NRTHSTR 6000I
788711	MOUNT, ANTENNA DECK GPS SS
1807060	NAVIGATOR, NRTSTR 6000I 12.1" CMPLT PKG
1757382	NAVIGATOR, SRNII TRANSDUCR DEPTH/TEMP W/PT NY
1812927	PANEL, BLANK:36DB-06 ELEC SYSVW/NRTHSTR 12"

**LUMINOUS GOLD - GALLEY / HEAD COUNTER TOPS**

1833412	COVER, KARADON 36DB-06 GLY SINK LUM GLD
1833414	TOP, KARADON 36DB-06 GLY AFT BCKSPLSH LUM GLD
1803376	TOP, KARADON 36DB-06 GLY CNTR LUM GLD
1833413	TOP, KARADON 36DB-06 GLY FWD BCKSPLSH LUM GLD
1815897	TOP, KARADON 36DB-06 HEAD LUM GLD

**NEUTRAL PILLOW PACKAGE**

1805783	PILLOW PKG, 2006 YACHT INT5 GSTRM (2)
1805782	PILLOW PKG, 2006 YACHT INT5 MSTRM (2)
1805781	PILLOW PKG, 2006 YACHT INT5 SLN (3)

**DASH COVER - BRIDGE, CANVAS**

1833621	CANVAS, 36DB-06 DASH CVR TST
---------	------------------------------

**SEA RAY NAV. 3 GPS/ CHARTPLOTTER**

679324	ACTUATOR, ROCK BLK W/BUE LENS ACCY
681510	BODY, ROCK SW DPST 12V W/INC LAMP

**SEA RAY NAV. 3 GPS/ CHARTPLOTTER (continued)**

1818701	COVER, PLAS PROTECTIVE SRNIII NAVIGATOR
731018	FUSE, BLADE TYPE CLOSED 15A
1818719	HARNESS, TRANSDUCER 30' SRNIII
1817036	HOSE, CONDUIT/UNSPILT 1.25" FLAME RETARDANT
1764499	LABEL, SEA RAY NAV USB PORT
1818725	MANUAL, SRNIII OWNERS KIT
788711	MOUNT, ANTENNA DECK GPS SS
1757382	NAVIGATOR, SRNII TRANSDUCR DEPTH/TEMP W/PT NY
1818703	NAVIGATOR, SRNIII CBL AUTOPILOT 6'
1818718	NAVIGATOR, SRNIII GPS ANTENNA SITEX
1818152	NAVIGATOR, SRNIII MODEL 312 COMPUTER
1818723	NAVIGATOR, SRNIII MOUSE REMOTE JOY STICK
1818717	NAVIGATOR, SRNIII PWR/CORD 6' WHT
1838597	PANEL, BLANK:36DB-07 ELEC SYSVW/SRN3
1408376	PLUG KIT, DEUTSCH DTP06-2S PLUG W/SOCKET
1376052	PLUG KIT, DEUTSCH HDP24-24-16-PN
1376086	PLUG KIT, DEUTSCH HDP26-24-16-SN
1408400	PLUG KIT, DEUTSCH SEC LOCK SCKT 2-POS
1818708	RECEPTACLE, SRNIII SOCKET W/CONN 6'
146761	TAPE, FOAM SGL FACE BLK VINYL 1/8"X 1/4"

**SEA RAY NAV 3 GPS / CHARTPLOTTER / RADAR**

679324	ACTUATOR, ROCK BLK W/BUE LENS ACCY
681510	BODY, ROCK SW DPST 12V W/INC LAMP
1818701	COVER, PLAS PROTECTIVE SRNIII NAVIGATOR
731000	FUSE, BLADE TYPE CLOSED 10A
731018	FUSE, BLADE TYPE CLOSED 15A
731034	FUSE, BLADE TYPE CLOSED 5A
1770981	HARNESS, RADAR CBL 20' NRTHSTR 6000I
1770985	HARNESS, RADAR CBL EXT 15' NRTHSTR 6000I
1772612	HARNESS, RADAR PIGTAIL 1' NRTHSTR
1838667	HARNESS, SRNIII LAN CBL NETWORK 6' RV1
1818719	HARNESS, TRANSDUCER 30' SRNIII
1764499	LABEL, SEA RAY NAV USB PORT
1818725	MANUAL, SRNIII OWNERS KIT
1772611	NAVIGATOR, SRNII RADAR 4KW 3.5FT ARRAY
1772610	NAVIGATOR, SRNII RADAR PEDSTAL
1772609	NAVIGATOR, SRNII RADAR PWR CABLE
1783313	NAVIGATOR, SRNII RADAR SOFTWARE
1757382	NAVIGATOR, SRNII TRANSDUCR DEPTH/TEMP W/PT NY
1818703	NAVIGATOR, SRNIII CBL AUTOPILOT 6'
1818718	NAVIGATOR, SRNIII GPS ANTENNA SITEX
1818152	NAVIGATOR, SRNIII MODEL 312 COMPUTER
1818723	NAVIGATOR, SRNIII MOUSE REMOTE JOY STICK
1818732	NAVIGATOR, SRNIII NETWORK RADAR JUNCTION BOX
1818717	NAVIGATOR, SRNIII PWR/CORD 6' WHT
1818733	NAVIGATOR, SRNIII RJ45 6' RADAR INTRFACE CABL
1838597	PANEL, BLANK:36DB-07 ELEC SYSVW/SRN3
1773030	PLUG KIT, DEUTSCH DTM06-2S PLUG W/SCKT
1717517	PLUG KIT, DEUTSCH F/C 10-12AWG SCKT
1741427	PLUG KIT, DEUTSCH S/F 20AWG SCKT
1773043	PLUG KIT, DEUTSCH SEC LOCK DTM06-2S
1818708	RECEPTACLE, SRNIII SOCKET W/CONN 6'

**AUX. SEA RAY NAV.3 12.1 GPS / CHARTPLOTTER**

679324	ACTUATOR, ROCK BLK W/BUE LENS ACCY
681510	BODY, ROCK SW DPST 12V W/INC LAMP
1818701	COVER, PLAS PROTECTIVE SRNIII NAVIGATOR
188060	EMBLEM, "SEA RAY" SCRIPT CHROME 5"
731018	FUSE, BLADE TYPE CLOSED 15A
1818721	HARNESS, SRNIII CBL NMEA Y SPLITTER DEPTH 6'
1818713	HARNESS, SRNIII LAN CBL NETWORK 6'
1817036	HOSE, CONDUIT/UNSPILT 1.25" FLAME RETARDANT
1764499	LABEL, SEA RAY NAV USB PORT
1818726	MANUAL, SRNIII SECOND STATION OWNERS KIT
1757382	NAVIGATOR, SRNII TRANSDUCR DEPTH/TEMP W/PT NY
1818703	NAVIGATOR, SRNIII CBL AUTOPILOT 6'
1818718	NAVIGATOR, SRNIII GPS ANTENNA SITEX
1818152	NAVIGATOR, SRNIII MODEL 312 COMPUTER
1818723	NAVIGATOR, SRNIII MOUSE REMOTE JOY STICK
1818761	NAVIGATOR, SRNIII NETWORK INTRFACE HUB 6 PORT
1818717	NAVIGATOR, SRNIII PWR/CORD 6' WHT
1838597	PANEL, BLANK:36DB-07 ELEC SYSVW/SRN3
1408376	PLUG KIT, DEUTSCH DTP06-2S PLUG W/SOCKET
1376052	PLUG KIT, DEUTSCH HDP24-24-16-PN
1376086	PLUG KIT, DEUTSCH HDP26-24-16-SN
1408400	PLUG KIT, DEUTSCH SEC LOCK SCKT 2-POS
1818708	RECEPTACLE, SRNIII SOCKET W/CONN 6'
146761	TAPE, FOAM SGL FACE BLK VINYL 1/8"X 1/4"

**SATELLITE INTERFACE FOR SEA RAY NAV. 3**

1777084	ANTENNA, 8' PREMIUM VHF ANTENNA W/CONN
1539204	BRACKET, 1/8" X 3.5" X 5" ANTENNA MOUNT
123646	CLAMP, LOOM VINYL DIP #32 2"
1596360	CONN, "BNC" TYPE BNC MALE FOR RG8X
1274588	CONN, SOLDERLESS W/CTR PIN
630822	FUSE HOLDER, 6-FUSE BREAK-AWAY STRIP
140533	FUSE, FERRULE TYPE AGC 1A
1819236	HARNESS, SKYMATE ANTENNA CABLE 15'
1819237	HARNESS, SKYMATE ANTENNA CABLE EXT 20'
115311	MOUNT, RATCHET VHF 4-WAY W/1"-14 MALE THD SS
1760316	NAVIGATOR, SR MDL SRNII SATELLITE COMMUNICATOR
1767401	NAVIGATOR, SRNII SATELLITE MODE SW W/CABLE
1767399	NAVIGATOR, SRNII SATELLITE SHORE PWR SENSOR
1760319	NAVIGATOR, SRNII SATELLITE SOFTWARE
1774890	NAVIGATOR, SRNII SATELLITE WIRING HARNESS
1767398	NAVIGATOR, SRNII WIRELESS BATT PACK
1818735	NAVIGATOR, SRNIII COMMOD ANTENNA
1818736	NAVIGATOR, SRNIII SKYMATE DATA CABLE
1818737	NAVIGATOR, SRNIII SKYMATE GPS Y CABLE
1830844	PANEL, 58DB-06 SATELLITE SW MSG/MON
1741427	PLUG KIT, DEUTSCH S/F 20AWG SCKT
1757453	PLUG KIT, DEUTSCH SEAL PLUG
1364736	PLUG KIT, DEUTSCH SEC LOCK PLUG 2-POS

**SONAR / FISH FINDER FOR SEA RAY NAV. 3**

1818743	HARNESS, SRNIII CABLE EXT 30' TRANSDUCER
1818746	HARNESS, SRNIII RS-232 CABLE 6' DB-9 FEMALE
1818755	NAVIGATOR, SRNIII BLCK BOX SONAR/FF
1850877	NAVIGATOR, SRNIII BLCK BOX SONAR/FF W/CBLS
1818748	NAVIGATOR, SRNIII NMEA DATA/CABLE 6' DB9 MALE
1818750	NAVIGATOR, SRNIII TRNSDCR DPTH/TMP P19 0 DEG

**BRIDGE COVER - CANVAS**

1798641	CANVAS, 36DB-06 BRDG CVR TST
1883977	CANVAS, 36DB-07 BRDG CVR STD TST

**AUTOPILOT - RAYPILOT ST 8002**

1839229	AUTO PILOT, RAYPILOT ST8002 W/SURFACE MNT
1612761	AUTO PILOT, RAYPILOT TYPE 1 T150 CORE PACK
852483	AUTO PILOT, RAYPILOT TYPE I PUMP UNIT
1808029	AUTOPILOT, INDCATR ARM RAYMAR W/SCRFT
1685217	BRACKET, SS COREPAK ADJ
1817596	BRACKET, SS RDR INDCATR RAYMAR/BNT/SCRFT ANGL
829432	BUSS BAR, DBL POST 5/16"
155002	CONN, BUTT 12/10GA N/L
497792	CONN, Q/DISC F/M 12-10 FULL INS W/INS GRIP
269688	CONN, Q/DISC RECEPT 16/14GA FUL/INS
632166	CONN, RING 8GA X 5/16R W/INSUL
195305	COUPLING, BRASS 1/4" FPT
763813	FUSE, BLADE TYPE CLOSED 25A
1610427	HARNESS, MERC S-CRFT STEERING SNSR ASSY
1501832	HOSE, CONDUIT/SPLIT 3/8" FLAME RETARDANT
1747504	LABEL, COMPASS AREA KEEP AWAY MTL OBJECTS
168849	NIPPLE, BRASS 1/4"MPT X 1.5"HEX
1812985	PANEL, BLANK:36DB-06 SYSVW/RAYMAR AUTO
1738311	PIN, COTTER PIN #3/32" X 1/2" SS
785295	ROD, THREAD 6MM X 40.67CM SS
1762408	STEERING HOSE, 5/16" X 2"W/FITTINGS (SEASTAR)
1762407	STEERING HOSE, 5/16" X 3"W/FITTINGS (SEASTAR)
1765807	STEERING HOSE, 5/16" X 4"W/FITTINGS (SEASTAR)
999284	STEERING, FITTING ELBOW TUBE TO 1/4"MPT
577312	TEE, BRASS 3/8"COMP X 1/4"MPT X 3/8"COMP
1126754	TIE, CABLE 15.5" SCREW MNT BLK SS BARB

**CE CREDIT FOR STD BRIDGE ENCLOSURE CANVAS**

1831113	SUPPORT, 36DB-06 RATCHET LIGHT MAST W/H 48"
---------	---

**NORTHSTAR HAILER**

122853	FITTING, WATER TIGHT OUTLET FOR 5/16" CABLE
742999	HAILER HORN, PA HORN RAY220

**MACERATOR W/ SEACOCK INTERLOCK SYSTEM**

255158	BUSHING, BRZ 1.25"FPT X 1.5"MPT
256693	CLAMP, HOSE #24 1"-2" SS .505
123646	CLAMP, LOOM VINYL DIP #32 2"
466912	CONN, RING 8GA X 10R. 374 W/INS ELONG SS
830968	COVER, CLAMP END PROT 1/2"L X .045" X .465"RED
170431	ELBOW, RED BRASS 45DEG 1.25"MPT X 1.5"BARB
1766964	EYE, STRAP EYE TIE-DOWN "STAMPED" SS
1502202	HOSE, CONDUIT/SPLIT 2" FLAME RETARDANT

**MACERATOR W/ SEACOCK INTERLOCK SYSTEM (continued)**

1501832	HOSE, CONDUIT/SPLIT 3/8" FLAME RETARDANT
846899	HOSE, SANI 1.5" PREMIUM RBR BLK
1745156	LABEL, NOTICE OVERBOARD DISCHARGE (LEXAN)
1302058	PUMP, HEAD SYS MACERATOR W/RELAY/CONN 12V
518456	SEACOCK, BRZ 1.5" W/O TAILPIECE
1302116	SWITCH, SEACOCK INTERLOCK W/60" LEADS/CONN
579870	THRU-HULL, BRZ 1.5" W/O NUT

**NORTHSTAR 3300 AUTOPILOT**

1807927	AUTO PILOT, NRTHSTR CORE PACK KIT (OPTIMAX)
1807919	AUTO PILOT, NRTHSTR NS3300 DISPLAY ONLY
1807922	AUTO PILOT, NRTHSTR TYPE I PUMP UNIT
1808028	AUTOPILOT, INDCATR ARM NRTHSTR W/SCRFT
1817596	BRACKET, SS RDR INDCATR RAYMAR/BNT/SCRFT ANGL
829432	BUSS BAR, DBL POST 5/16"
795583	BUSS BAR, SGL POST 5/16"
155002	CONN, BUTT 12/10GA N/L
497792	CONN, Q/DISC F/M 12-10 FULL INS W/INS GRIP
269688	CONN, Q/DISC RECEPT 16/14GA FUL/INS
632166	CONN, RING 8GA X 5/16R W/INSUL
195305	COUPLING, BRASS 1/4" FPT
706721	FUSE, BLADE TYPE ATC 1A
763813	FUSE, BLADE TYPE CLOSED 25A
1808610	HARNESS, AUTOPILOT NRTHSTR 15M EXT
1808611	HARNESS, AUTOPILOT NRTHSTR 20M EXT
1610427	HARNESS, MERC S-CRFT STEERING SNSR ASSY
1501832	HOSE, CONDUIT/SPLIT 3/8" FLAME RETARDANT
1747504	LABEL, COMPASS AREA KEEP AWAY MTL OBJECTS
168849	NIPPLE, BRASS 1/4"MPT X 1.5"HEX
1812984	PANEL, BLANK:36DB-06 SYSVW/NRTHSTR AUTO
1806501	PIN, RDR INDCATR NRTHSTR
785295	ROD, THREAD 6MM X 40.67CM SS
1762408	STEERING HOSE, 5/16" X 2"W/FITTINGS (SEASTAR)
1762407	STEERING HOSE, 5/16" X 3"W/FITTINGS (SEASTAR)
1765807	STEERING HOSE, 5/16" X 4"W/FITTINGS (SEASTAR)
577312	TEE, BRASS 3/8"COMP X 1/4"MPT X 3/8"COMP
1126754	TIE, CABLE 15.5" SCREW MNT BLK SS BARB

**STAINLESS STEEL ANCHOR**

1819551	ANCHOR, 35LB POLISHED SS PLOW
---------	-------------------------------

**YACHT FLAG AND FLAG POLE**

706747	CLIP, FLAG
685214	FLAG, USA 2'X 3'
1190354	POLE, FLAGSTAFF YACHTS AFT SS 40"
685313	SOCKET, FLUSH MOUNT STERN FLAG POLE

**FIRE SUPPRESSION FM 200 - INTERNATIONAL**

1266790	FIRE EXT SYS, FM200 500CF GAS/DSL-MAN/AUTO
---------	--

**GRAY WATER SYSTEM**

314781	ADAPTER, NYLON 1.5"MPT X 1.5"BARB
185041	ADAPTER, PVC 1"OD X 1.5"OD SLIP REDUCING
1181742	BRKR/ROCK, SGL-POLE MNL RSET DC IGNPRT 10A YL
123398	CLAMP, HOSE #06M 5/16"-7/8" SS MINI
263954	CLAMP, HOSE #10 1/2"-1 1/8" SS .505
123414	CLAMP, HOSE #12M 5/8"-1.25" SS MINI
256685	CLAMP, HOSE #16 3/4"-1.5" SS .505
153932	CONN, RING 16/14GA X 10R W/INSUL
153999	CONN, RING 16/14GA X 8R W/INSUL
723759	COVER, CLAMP END PROT .035"X.300-1/2"RED
1691147	ELBOW KIT, 3/4" W/UNISEAL "GRY WTR"
196717	ELBOW, PVC 1.5"FLANGE X 3/4"MPT X 90DEG
466615	HOSE CUFF, 1" RH WHT
132258	HOSE CUFF, 3/4"RH
1501840	HOSE, CONDUIT/SPLIT 1" FLAME RETARDANT
123877	HOSE, CORR SAN/WATER-FILL 3/4"
466664	HOSE, CORR VAC 1" RH
124412	HOSE, PVC CLEAR/WHT W/RED TRACER 5/8"
1792643	SHOWER, SUMP ASSY MULTI-PORT 750GPH 12V W/CON
280206	TEE, PVC 1" BARB
1521426	THRU-HULL, SS 1.5" X 1.5" BARB
1618651	VENT, FUEL/WATER SS 5/8" 90DEG FLSH SHALLOW
584763	VENT, FUEL/WATER TANK 5/8" X 4"

**RAYMARINE E120 GPS / CHART PLOTTER / RADAR**

1013606	BUSS BAR, SGL POST 3/8-16
1849119	CABLE, 15M STD PEDESTAL
731000	FUSE, BLADE TYPE CLOSED 10A
731018	FUSE, BLADE TYPE CLOSED 15A

**RAYMARINE E120 GPS / CHART PLOTTER / RADAR (continued)**

1781539	HARNES, PIGTAIL 5FT SRN II XDUCR INTERFACE
1746045	LABEL, DANGER NO LOOKING DIRECTLY INTO RADOME
1803077	MODULE, RAYMARINE CROSSOVER COUPLER
1800082	NAVIGATION DISPLAY, RAYMARINE E120 12" CLRLCD
1812979	PANEL, BLANK:36DB-06 ELEC SVSW/RAYMAR 12"
1831206	PEDESTAL, RADAR ALUM 24.5"WHT RAYMAR
1301357	RADAR, RAYTHEON 4KW DOME ANT W/15 METER CABLE
1408632	RADAR, RAYTHEON 5S 48" ARRAY
1772723	RADAR, RAYTHEON 5S 4KW PEDESTAL
1451020	SHIM, HDPE 1"X 1" 5/16"X 9" RADAR-R-80

**RAYMARINE DSM 300 FISH FINDER**

1850447	CABLE, SEATALK 1.5 METER HIGH SPEED NETWORK
1801244	DEPTH FINDER, DIGITAL SOUND MODL HSB2/DSM300
731000	FUSE, BLADE TYPE CLOSED 10A
1803077	MODULE, RAYMARINE CROSSOVER COUPLER
1795499	TRANSDUCER, DEPTH/TEMP FOR DSM250 FISHFINDER

**RAYMARINE E120 CHARTPLOTTER ONLY**

1013606	BUSS BAR, SGL POST 3/8-16
731000	FUSE, BLADE TYPE CLOSED 10A
1800082	NAVIGATION DISPLAY, RAYMARINE E120 12" CLRLCD
1812979	PANEL, BLANK:36DB-06 ELEC SVSW/RAYMAR 12"

**"375DB" MODEL DESIGNATORS**

1800015	EMBLEM, MODEL DESG 375 SEDAN BRIDGE PWTR/BLK
1805063	TAPE, MODEL NUMERATOR 375 PWTR/BLK

**COCKPIT ICE MAKER - 120V/60**

1819314	BOARD, LDPVC 36DB-06 CKPT ICEMKR ARW
180463	BOX, RECEPTACLE HANDY DUPLEX METAL
1789718	CLAMP, CRIMP RING ZURN 1/2"
497792	CONN, Q/DISC F/M 12-10 FULL INS W/INS GRIP
153932	CONN, RING 16/14GA X 10R W/INSUL
153999	CONN, RING 16/14GA X 8R W/INSUL
192492	CONN, ROMEX PLAS 1/2"
744243	CONN, SNAP SPADE 16-14GA X 8SS W/INSL
1787508	COVER PLATE, SGL DUPLEX RECEPT BRN LVT
864678	ICE MAKER, 23 LB WHT W/FLNGE CFC FREE 120V/60
1787507	RECEPTACLE, DUPLEX BRN 15A LVT
1789706	TEE, ZURN 1/2" BARB
1215201	TUBING, SEATECH 1/4"OD X 1/8"ID X 1000' NAT'L
1802638	VALVE, ZURN 1/2" MANIFOLD BALL VALVE
1812915	VALVE, ZURN 1/2"BARB W/1/8" DRAIN VALVE TEE

**COCKPIT ICE MAKER - 220V/50**

1819314	BOARD, LDPVC 36DB-06 CKPT ICEMKR ARW
627737	BOX, RECEPTACLE/SWITCH PVC 1-GANG DEEP
1646900	CABLE, MARINE UL BOAT 14/3 EURO
1789718	CLAMP, CRIMP RING ZURN 1/2"
497792	CONN, Q/DISC F/M 12-10 FULL INS W/INS GRIP
153932	CONN, RING 16/14GA X 10R W/INSUL
153999	CONN, RING 16/14GA X 8R W/INSUL
744243	CONN, SNAP SPADE 16-14GA X 8SS W/INSL
1206226	COVER PLATE, IDEA-SERIES 3-GANG
893289	FRAME, IDEA-SERIES 3-GANG SUPPORT FRAME GREY
864686	ICE MAKER, 23 LB WHT W/FLNGE CFC FREE 220V/50
902064	RECEPTACLE, SGL GERMAN STD GREY
893263	SWITCH, BLANK IDEA-SERIES GREY
1789706	TEE, ZURN 1/2" BARB
1215201	TUBING, SEATECH 1/4"OD X 1/8"ID X 1000' NAT'L
1802638	VALVE, ZURN 1/2" MANIFOLD BALL VALVE
1812915	VALVE, ZURN 1/2"BARB W/1/8" DRAIN VALVE TEE

**BOW THRUSTER**

1186337	BATTERY, GROUP 31 DEEP CYCLE
650507	BOOT, BATTERY CABLE 4/0 BLK 11/16"
650499	BOOT, BATTERY CABLE 4/0 RED 11/16"
1751179	BOOT, BATTERY THREADED STUD COVER RED #458
1689904	BOOT, PVC TERM INSUL CAP RED
673780	BOOT, RED
1727462	BOW THRUSTER, CABLE SIDE PWR CNTRL 15M
1765067	BOW THRUSTER, JOYSTICK (IMTRA)12/24V W/ON/OFF
1835912	BOW THRUSTER, SIDE PWR 165LB THRST 24V
1670033	BOW THRUSTER, TUNNEL 185X1500X6MM
1475391	BRKR, SURF MNT THERMAL 25AMP MANUAL RESET
136044	CABLE, BATT BLK #4/0AWG
184051	CABLE, BATT RED #2/0AWG
136051	CABLE, BATT RED #4/0AWG
135202	CABLE, MARINE STRANDED 12/3

**BOW THRUSTER (continued)**

1468214	CABLE, MARINE STRANDED 14/2 (RD/BLK)TYP3 SHLD
360537	CONN, BATT LUG 2/0 NEG W/NUT/BOLT
360495	CONN, BATT LUG 2/0 POS W/NUT/BOLT
192385	CONN, BATT LUG 4/0GA NEG W/NUT/BOLT
192393	CONN, BATT LUG 4/0GA POS W/NUT/BOLT
155002	CONN, BUTT 12/10GA N/L
1817072	CONN, PACK ELEC GT-280 (F) SEALED 8-POS BRN
1817087	CONN, PACK ELEC GT-280 (F) TERM 14-16AWG
1817079	CONN, PACK ELEC GT-280 CABLE SEAL TAN
1817083	CONN, PACK ELEC GT-280 CAVITY PLUG WHT
1817085	CONN, PACK ELEC GT-280 TPA
154880	CONN, RING 12/10GA X 10R W/INSUL
153932	CONN, RING 16/14GA X 10R W/INSUL
793331	CONN, RING 2/0GA X 1/2R .928 BARE PLTD CLSD
793273	CONN, RING 2/0GA X 5/16R BATT/CBL COP PLTD CL
793356	CONN, RING 4/0GA X 1/2R 1.15 BARE PLTD CLSD
793349	CONN, RING 4/0GA X 3/8R 1.15 BARE PLTD CLSD
1331321	CONN, RING 4/0GA X 5/16R 1.1
1742532	CONVERTER, 25AMP PROTECT-2425 24VDC
987446	FUSE BLOCK, BLADE TYPE ANL350/500
1585470	FUSE, ANL250 IGN PROTECTED
130435	HOLDER, BATTERY GR27 BLK NYLON W/SS
1849336	LABEL, BATTERY PLACEMENT 36DB W/BOW THRSTR
1751061	LABEL, BOW THRUSTER
1813640	LABEL, STERN THRUSTER
1814360	MODULE, EDS 2CH-5A DUAL REVERSING
1355338	PAINT, BOTTOM BLACK HYDROCOAT
980219	SOLENOID, MAGNET LATCHING 12V 200A/1200A

**BRIDGE SUNPAD FILLER CUSHIONS**

1837502	FOAM, P/C 36DB-06 BRDG FILLER
103309	MESH, WHITE 60"
1819905	POST, TABLE LEG 13"X 60MM ALUM SMTH DBLTPR
1740876	UPH PARTS, BUCKLE 1" SS ADJUST-A-BUCKLE
1788397	VINYL, SOFTDURA MYSTIC WHT 1/4" F/B OMNOVA
257238	WEBBING, POLYPROPYLENE 1" WHITE

**SHIP WATER READY**

590778	TAG, WARNING SHIP BOAT WATER READY
--------	------------------------------------

**LOWER CONTROL STATION**

1790090	ACC PART, EXT HARNESS 15' MERC KEY SW
1771022	ACC PART, MERC ALARM BUZZER W/HARNESS W/CONN
1781397	ACC PART, MERC DUAL HELM DATA 14 PIN ADAPTER
1816009	ACC PART, MERC S-CRFT SYS VIEW '06 VER 3.45
709501	ACTUATOR, ROCK VERT BLK W/O LENS TRIM TABS
1740165	ANGLE, FBRGLS 1.5"X1.5X1/4"X10"EQUAL LEG
1625904	BLOCK, LDPVC 360DA-02 HELM SEAT BOTTOM
1755923	BOARD, P/B 390DA-04 CNTRL STAT COMP UP
773879	BODY, ROCK SW DPDT (MOM) BLK W/O JUMPER
650499	BOOT, BATTERY CABLE 4/0 RED 11/16"
1689904	BOOT, PVC TERM INSUL CAP RED
673780	BOOT, RED
186239	BRACKET, ALUM 1.5"X 1.5"X 3"
1773807	BRACKET, ALUM 1/8"X 2"X 6" W/S WIPER
1364488	BUSS BAR, 10-GANG TERMINAL STRIP (SML)
829432	BUSS BAR, DBL POST 5/16"
1819529	BUSS BAR, DUAL BUSS 5 X8/32SCRW 100A TIN/COPR
130799	CABLE, BATT BLK #2AWG
1576347	CABLE, BATT RED/VIO #2AWG
935080	CABLE, CLARION DUAL REMOTE "Y"
1312750	CABLE, CLARION REMOTE EXTENSION CABLE 24'
1468214	CABLE, MARINE STRANDED 14/2 (RD/BLK)TYP3 SHLD
1180025	CANVAS, SUNBRELLA TOAST TWEED 60"
1875838	CAPACITOR, TRIM TAB INTERFACE
1772695	COMPASS, FLUSH MT 3.75" BLK (NEW STYLE)
1634161	CONN, PACK ELEC 150SERIES (F) 6-POS
888651	CONN, PACK ELEC 150SERIES (F) TERM 1.0-.80
1634153	CONN, PACK ELEC 150SERIES (M) 6-POS
1634948	CONN, PACK ELEC 150SERIES (M/F) 6-POS TPA
888669	CONN, PACK ELEC 150SERIES CBLE SEAL DKRED L/P
1634229	CONN, PACK ELEC 280SERIES (F) 2-POS
1752288	CONN, PACK ELEC 280SERIES (F) TERM 3.0
1634211	CONN, PACK ELEC 280SERIES (M) 2-POS
1752289	CONN, PACK ELEC 280SERIES (M) TERM 3.0
1634963	CONN, PACK ELEC 280SERIES (M/F) 2-POS TPA
1634898	CONN, PACK ELEC 280SERIES CAVITY PLUG GRN
1787274	CONN, PACK ELEC CBLE SEAL PURPL 1W M/P
1817072	CONN, PACK ELEC GT-280 (F) SEALED 8-POS BRN
1817087	CONN, PACK ELEC GT-280 (F) TERM 14-16AWG

## LOWER CONTROL STATION (continued)

1817079	CONN, PACK ELEC GT-280 CABLE SEAL TAN
888677	CONN, PACK ELEC GT-280 CAVITY PLUG 5.2MM
1817083	CONN, PACK ELEC GT-280 CAVITY PLUG WHT
1817085	CONN, PACK ELEC GT-280 TPA
1765256	CONN, PACK ELEC WEATHER PACK (F) TERM 16-14GA
1765253	CONN, PACK ELEC WEATHER PACK (M) TERM 16-14GA
1765250	CONN, PACK ELEC WEATHER PACK 2POS FEMALE
1833330	CONN, PACK ELEC WEATHER PACK 4POS MALE
1836599	CONN, RELAY HOLDER 5 POS
1819719	CONTROL, DTS CNSL MNT TWIN KIT CHR
1819530	COVER, PLAS DUAL BUSS 5 X8/32SCRW BLK
1747682	EMBLEM, S/R EMB SCRIPT WHEEL CHR-BEZEL 1.75"
937490	FUSE BLOCK, 10-GNG BLADE-TYPE ELECTRONICS
1880894	FUSE BLOCK, NAV ELEC 12POS W/SCREW TERM & CVR
1596923	FUSE HOLDER, BLADE TYPE ACCY 10A
731000	FUSE, BLADE TYPE CLOSED 10A
1609007	GAUGE, 5" 4-IN-1 FUEL/VOLT/OIL/TMP S-CRFT
1608934	GAUGE, TACH 5" S-CRFT 0-6000RPM
1684126	GEL COAT, ARCTIC WHT (DRUMS)
1772366	HARNESS, ENG MERC DATA 14-PIN DTS 30'
1807869	HARNESS, NRTHSTR VHF BLK BX TO SPKR CBL 72"
1887225	HELMSEAT, 36DB LWR CNTRL STA W/ULTRAFABRIC
123919	HOSE, CORR BILGE 1.5" BLK
1112598	LABEL, DO NOT OPERATE IF VISIBILITY OBSTRUCTD
1744738	LABEL, RECEPTACLE 12V-15A MAX (LEXAN)
221705	LABEL, WARNING FORWARD VISIBILITY (LEXAN)
1752856	LABEL, WARNING LTD VISION FROM HELM STN
1849200	LIGHT, W/INVERTER WIRE LAMP 12V 1FT
1816881	MODULE, EDS 36DB-06 LWR HELM 20-SW
1881622	MODULE, EDS 36DB-07 LWR HELM 20-SW RV2
1814358	MODULE, EDS 6CH-15A
1282979	PANEL, BLANK:310DA/420DA-03 TRIM TAB SW
1802653	PANEL, BLANK:36DB-06 CNTRL STA SW GAS DTS LWR
1831384	PANEL, BLANK:36DB-06 ELEC LWR W/SYSVW
226746	PANEL, LAM 1/2" 4X8 BLK MATTE G1S
1763530	PEDESTAL/SLIDE, CMDR W/COLLAR 14.25"/18.25"
1854208	PEDESTAL/SLIDE, CMDR-2 W/CLR 14.25"/18.25"
1229103	PLATE, ALUM 3/8"X 14"X 14" H/S BACKING
1831123	PLATE, ALUM 3/8"X 16"X 16" W/CNRN ANGLE
1259977	PLATE, FEMALE 12V RECEPTACLE MNT
1269422	PLATE, HELM SEAT BASE DETACHABLE
1686649	PLUG KIT, DEUTSCH F/C 10-12AWG PIN
1530096	PLUG KIT, DEUTSCH HDP24-24-9-PN
1530146	PLUG KIT, DEUTSCH HDP26-24-9-SN
1408434	PLUG KIT, DEUTSCH S/C 12-14AWG PIN
1408467	PLUG KIT, DEUTSCH S/C 12-14AWG SCKT
1408475	PLUG KIT, DEUTSCH S/C 8-10AWG SCKT
1807910	RADIO, VHF NRTHSTR BLKBOX HANDSET
1287283	RECEPTACLE, FEMALE 12V LONG THRD BLK
1836602	RELAY, HELLA SEALED 5 POS
1807911	SPEAKER, REMOTE NRTHSTR VHF BLKBOX
1782255	STEERING HOSE, 5/16"X 1" W/FITTINGS (SEASTAR)
1790680	STEERING HOSE, 5/16"X 26" W/FITTINGS (SEASTAR)
1738115	STEERING WHEEL, 3-SPOKE WOOD W/URETH PAD
127126	STEERING, FITTINGS CAP NONVENT
317032	STEERING, HELM PUMP SEA STAR I TILT
1799348	STEREO, REMOTE CNTRL W/DSPBL BLK FACE/SS BZL
1820272	SWITCH, IGN ASSY 3-POS
1781396	SWITCH, START/STOP DUAL ENG KIT DTS
188698	TEE, BRASS 3/8" COMP X 3/8" COMP X 3/8" COMP
1850875	TERMINAL, FEMALE "PULL-TO-SEAT" #630 5.0-3.0
1793493	VINYL, ALLANTE II WHITE SAND EXP 1/4" F/B DOW
1765840	VINYL, ULTRALTHR BRISA DESERT CLAY
1817103	WIPER ARM, 31.5" PANTOGRAPH BLK SS
1878437	WIPER ARM, 34" PANTOGRAPH WET ARM
1878441	WIPER BLADE, 25.5" HVY DUTY 650MM
648436	WIPER BLADE, 28" FLEX BLACK HVY DUTY (PANTO)
1756221	WIPER MOTOR, 77 DEG RH PARK
1878439	WIPER MOTOR, 80 DEG PRT PARK 12V 223BD
1878440	WIPER MOTOR, 80 DEG SWEEP STB PARK 12V 223BD
1756216	WIPER MOTOR, ADJ SWEEP/RH PARK
1719419	WIPER, SEATECH 2/DECK FIT WSHR KIT 90DG 12VDC

## 220 VOLT / 50 CYCLE ELECTRICAL SYSTEM

1769422	A/C COMP, COMPACT 10K SMXII 220V 50HZ GG
1773075	A/C COMP, COMPACT 16K SMXII 220V 50HZ GG
838839	A/C COMP, PUMP RELAY 230V
1817177	A/C COMP, PUMP SEAWATER 230V W/ALUM BASE
180463	BOX, RECEPTACLE HANDY DUPLEX METAL
627737	BOX, RECEPTACLE/SWITCH PVC 1-GANG DEEP

## 220 VOLT / 50 CYCLE ELECTRICAL SYSTEM (continued)

975037	BRKR, IDEA 230V 2P EURO GFCI 16A 10MA WHT
851295	BRKR/TOGGLE, 2-POLE AC MED DELAY 20A (10-32)
730663	BRKR/TOGGLE, 2-POLE AC MED DELAY 30A
582445	BRKR/TOGGLE, 2-POLE AC MED DELAY 35A
1626803	CABLE, MARINE UL BOAT 10/3 EURO
1626795	CABLE, MARINE UL BOAT 12/3 EURO
1646900	CABLE, MARINE UL BOAT 14/3 EURO
1626787	CABLE, MARINE UL BOAT 8/3 EURO
1793182	COFFEEMAKER, KRUPS BLK W/BRSHD CHR 12CUP 220V
637058	CONN, COAX EURO TV ADAPTER "F" TYPE
466953	CONN, RING 8GA X 1/4R .374 W/INS ELONG SS
623166	CONN, RING 8GA X 5/16R W/INSUL
1459643	CONVERTER, PROTECH 12V/40A 12/220VAC 50/60HZ
206268	CORD SET, 220V/50H 16A 50FT
1206226	COVER PLATE, IDEA-SERIES 3-GANG
1818834	COVER PLATE, IDEA-SERIES 3-GANG NKL SQR CRNR
180125	COVER PLATE, MTL HANDY BOX
893289	FRAME, IDEA-SERIES 3-GANG SUPPORT FRAME GREY
1833212	GENERATOR, 6EFCD GAS KOHLER 220V/50 SCRFT
1156728	HEATER, WATER 6 GAL 220/50 W/75-210T&P
206276	INLET, SHORE POWER WHT 220V/50H 16A
1743616	LABEL, UNPLUG SHORE POWER WARNING
557603	LIGHT, POLARITY GRN 220V
557629	LIGHT, POLARITY RED 220V
1793183	MICROWAVE, TAPPAN 0.7CF 220V 700W SS
1816905	PANEL, 36DB-06 MAIN DIST 220VAC W/EDS
1816849	PANEL, BLANK:36DB-06 TRNSFR/IGN/EDS GAS 220V
902064	RECEPTACLE, SGL GERMAN STD GREY
1145069	RECEPTACLE, SGL GERMAN STD WHT
1183003	STOVE, ELEC 2-BURNER CARIBBEAN COOKTOP 220
893263	SWITCH, BLANK IDEA-SERIES GREY
975011	SWITCH, BLANK IDEA-SERIES WHT
1815899	TELEVISION, 15" TOSHIBA PAL LCD
1809202	TELEVISION, 20" TOSHIBA PAL LCD

## WATER DELIVERY - INCLUDES SAFETY PKG &amp; FUEL

1779370	FENDER, 8"X 20"WHT (LAND&SEA)
1581099	FIRE EXT, DRY CHEM HAND-HELD 1A 10BC 2.5OLB
159244	HOOK, ALUM BOAT HOOK
184424	KEY RING, PLASTIC BUOY RED
1779365	KIT, FIRST AID
1779364	KIT, SIGNAL GUN
1779372	LIFE VEST, ADULT ORANGE TYPE 1 MERCH MATE II
548453	PLATE, BACKING SWMPLTFM 1/4" ALUM
1817427	PLATE, HDPE 1/4"X 21"X 7.75" W/2.5"RD WHT
1779366	RING BUOY, RESCUE RING BUOY 20"
1783536	ROPE, NYLON 3/8" (600'ROLL) (LAND&SEA)
1779367	ROPE, NYLON DOCKLINE 5/8"X 40'BLK
187237	TAG, WARNING ANTI-FREEZE

## WINDLASS - CHAIN

1145275	ANCHOR SHACKLE, JAW/JAW SWIVEL HVY DTY 3/8"
1048743	CHAIN STOP, SS W/LANYARD (WINDLINE)
225060	CHAIN, GRADE 40 GALV 5/16" 200'

## C E OPTION GROUP

256693	CLAMP, HOSE #24 1"-2" SS .505
830968	COVER, CLAMP END PROT 1/2" L X .045" X .465" RED
1266790	FIRE EXT SYS, FM200 500CF GAS/DSL-MAN/AUTO
172726	HOSE CUFF, 1.5" RH WHT
490219	HOSE, CORR SAN/WATER-FILL 1.5" RH
1745514	LABEL, PREVENT DISCHARGE OF POLLUTANTS
976423	PLATE, CE OPT B:14PERSON/1725KG
529016	PUMP, BILGE 16GPM MANUAL TWO POS
1521426	THRU-HULL, SS 1.5"X 1.5" BARB

## DSS SATELLITE TV.SYS. KVH-M3 - 120V/60 ONLY

513895	ACCESS PLATE, PAINTED PLAS 5" WHT
1264639	ANTENNA, DSS TRAC VISION 3
180463	BOX, RECEPTACLE HANDY DUPLEX METAL
1779735	CABLE, COAXIAL RG6 1000' WHT
135228	CABLE, MARINE STRANDED 14/3 BLK/GRN/WHT
192500	CONN, ROMEX PLAS 1/2"
1787508	COVER PLATE, SGL DUPLEX RECEPT BRN LVT
1429265	HEAT SHRINK, TUBING BLK 1/4"X 4'
1688700	LABEL, RCA DSS UNIT
1787507	RECEPTACLE, DUPLEX BRN 15A LVT

**AFT COCKPIT SEATING - FOLD AWAY**

1756151 BRACKET, BLSTR CKPT 3/4"X2"X1/16" STND-OFF SS  
 1798770 BRACKET, HELM SEAT 3/4"X2.25"X1/2"OFF-SET SS  
 1256809 BUSHING, UHMW 410EC-99 SEAT HINGE  
 1819380 FOAM, P/C 36DB-06 AFT CKPT SEAT/BCKRST  
 1817336 FRAME, 36DB-06 CKPT AFT SEAT HINGE 3/4"SS  
 1819635 HOLDER, UHMW 5/8" X 1" X 1"WHT  
 1839168 INSERT, 54X24 OMNOVA 1/4"FB W/8.5"AMBRFRST  
 1817498 KIT, LDPVC 36DB-06 CKPT AFT SEAT 4PC  
 1830760 KIT, LDPVC 36DB-06 CKPT AFT SEAT BLSTR 2PC  
 103309 MESH, WHITE 60"  
 1779135 SUPPORT, SWING LEG ASSY 13.75" W/SNAP BUTTON  
 1256817 SUPPORT, UHMW 410EC-99 AFT SEAT  
 1788397 VINYL, SOFTDURA MYSTIC WHT 1/4" F/B OMNOVA

**CANADIAN CONFORMITY STICKER**

1833213 LABEL, STICKER 36DB CANADIAN CONFORMITY

**WINDLASS CAPSTAN**

1772550 WINDLASS, PROJECT 1000 CAPSTAN

**ENGINE SYNCHRONIZER - GAS ENGINES**

1881778 CABLE, CONTROL MERC SAE/SAE ENG END PLAT 24'  
 1881781 CABLE, CONTROL MERC SAE/SAE ENG END PLAT 7'  
 1335827 CABLE, CONTROL TELEFLEX TFXXTREME 24'  
 1335983 CABLE, CONTROL TELEFLEX TFXXTREME 7'  
 1583509 SYNCHRONIZER, STURDY ACCUSYNC GAS #002

**VACUUM SYSTEM, CENTRAL - BEAM - 120V/60**

192492 CONN, ROMEX PLAS 1/2"  
 1787508 COVER PLATE, SGL DUPLEX RECEPT BRN LVT  
 688721 COVER, CUSTOM CLAMSHELL (ABS/DR)  
 814087 GROMMET, O/B MOTOR WELL FLANGE BLK PLAS  
 1787507 RECEPTACLE, DUPLEX BRN 15A LVT  
 1690898 VACUUM, CENTRAL SYS 110V WET/DRY #35  
 770354 VACUUM, HOSE 20' W/ATTACHMENTS  
 774679 VACUUM, HOSE 40' VINYL GREY 2"ID FLEX

**VACUUM SYSTEM, CENTRAL - BEAM - 220V/50**

627737 BOX, RECEPTACLE/SWITCH PVC 1-GANG DEEP  
 688721 COVER, CUSTOM CLAMSHELL (ABS/DR)  
 893289 FRAME, IDEA-SERIES 3-GANG SUPPORT FRAME GREY  
 814087 GROMMET, O/B MOTOR WELL FLANGE BLK PLAS  
 902064 RECEPTACLE, SGL GERMAN STD GREY  
 893263 SWITCH, BLANK IDEA-SERIES GREY  
 1788977 VACUUM, CENTRAL SYS 220V W/INST KIT #35  
 770354 VACUUM, HOSE 20' W/ATTACHMENTS  
 774679 VACUUM, HOSE 40' VINYL GREY 2"ID FLEX

**AUTOPILOT - RAYPILOT ST 7001+**

1666163 AUTO PILOT, RAYPILOT ST7001 DISPLAY ONLY  
 1612761 AUTO PILOT, RAYPILOT TYPE 1 T150 CORE PACK  
 852483 AUTO PILOT, RAYPILOT TYPE I PUMP UNIT  
 1808029 AUTOPILOT, INDCATR ARM RAYMAR W/SCRFT  
 1685217 BRACKET, SS COREPAK ADJ  
 1817596 BRACKET, SS RDR INDCATR RAYMAR/BNT/SCRFT ANGL  
 829432 BUSS BAR, DBL POST 5/16"  
 155002 CONN, BUTT 12/10GA N/L  
 497792 CONN, Q/DISC F/M 12-10 FULL INS W/INS GRIP  
 269688 CONN, Q/DISC RECEPT 16/14GA FUL/INS  
 632166 CONN, RING 8GA X 5/16R W/INSUL  
 195305 COUPLING, BRASS 1/4" FPT  
 763813 FUSE, BLADE TYPE CLOSED 25A  
 1610427 HARNESS, MERC S-CRFT STEERING SNSR ASSY  
 1501832 HOSE, CONDUIT/SPLIT 3/8" FLAME RETARDANT  
 1747504 LABEL, COMPASS AREA KEEP AWAY MTL OBJECTS  
 168849 NIPPLE, BRASS 1/4"MPT X 1.5"HEX  
 1812985 PANEL, BLANK:36DB-06 SYSVW/RAYMAR AUTO  
 1738311 PIN, COTTER PIN #3/32" X 1/2" SS  
 785295 ROD, THREAD 6MM X 40.67CM SS  
 1762408 STEERING HOSE, 5/16" X 2"W/FITTINGS (SEASTAR)  
 1762407 STEERING HOSE, 5/16" X 3"W/FITTINGS (SEASTAR)  
 1765807 STEERING HOSE, 5/16" X 4"W/FITTINGS (SEASTAR)  
 999284 STEERING, FITTING ELBOW TUBE TO 1/4"MPT  
 577312 TEE, BRASS 3/8"COMP X 1/4"MPT X 3/8"COMP  
 1126754 TIE, CABLE 15.5" SCREW MNT BLK SS BARB

**LIGHT CHERRY FINISH**

1819830 BLINDS, 36DB-06 SLN PRT AFT CHERRY WOOD 1"  
 1819829 BLINDS, 36DB-06 SLN PRT FWD CHERRY WOOD 1"  
 1819832 BLINDS, 36DB-06 SLN STB AFT CHERRY WOOD 1"

**LIGHT CHERRY FINISH (continued)**

1819831 BLINDS, 36DB-06 SLN STB FWD CHERRY WOOD 1"  
 1848848 MAPLE, LT ARTISAN TRIM 16" END CAP  
 1848851 MAPLE, LT ARTISAN TRIM 50" END CAP  
 1848845 MAPLE, LT ARTISAN TRIM 9" END CAP  
 1848795 MAPLE, LT ARTISAN TRIM 96" 1/2"X3/4"X1/4"RAD  
 1848820 MAPLE, LT ARTISAN TRIM VERT P/F 24"  
 1848828 MAPLE, LT ARTISAN TRIM VERT P/F 48"  
 1848830 MAPLE, LT ARTISAN TRIM VERT P/F 60"  
 1852283 MICA, 4'X8'X.038"SR CHERRY ARTISAN GR12  
 1838514 MICA, 4'X8'X.048"SR CHERRY ARTISAN GR10  
 1849245 MICA, PVC EDGE BAND 2"X .017 NATL CHERRY  
 1849244 MICA, PVC EDGE BAND 7/8"X .017 NATL CHERRY  
 1852274 SEAM FILL, LIGHT CHERRY  
 1848779 STAIN, WIPING LT WALNUT

**INTERNATIONAL IN-SERVICE CHECKLIST**

1880469 CHECK LIST, INT'L DISCLOSURE SPYCHT/YCHT '06