

2002 300DA

PARTS MANUAL

300

SUNDANCER®



Sea Ray® Parts Manual, 2002 300 SUNDANCER MRP # 1612829 (REVISION 1, 11/28/01)
Sea Ray Boats, 2600 Sea Ray Blvd., Knoxville, TN 37914. For information call 1-800-SRBOATS or fax 1-314-213-7878 (USA and International).
Internet address: <http://www.searay.com>

Note: Not all accessories shown in pictures or described herein are standard equipment or even available as options.
Options and features are subject to change without notice.

Confirm the availability of all accessories and equipment with an authorized Sea Ray® dealer.

2002 300 SUNDANCER

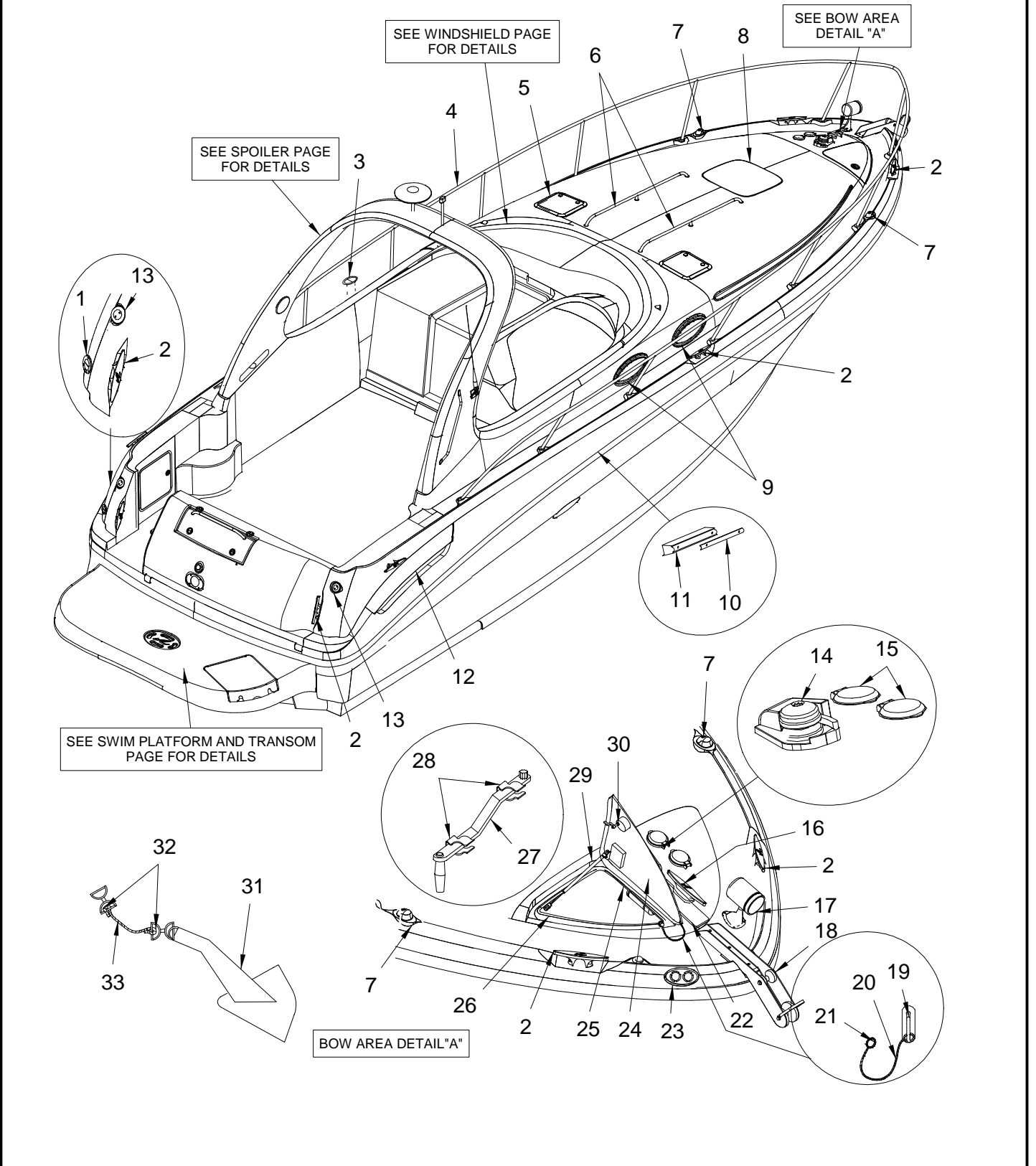
TABLE OF CONTENTS



| STANDARD & OPTIONAL LAYOUTS | PAGE |
|--|-------------|
| EXTERIOR (DECK)..... | 1, 2 |
| EXTERIOR (SPOILER)..... | 3 |
| EXTERIOR (WINDSHIELD)..... | 4 |
| EXTERIOR (HULL)..... | 5, 6 |
| EXTERIOR (TRANSOM STORAGE AND SWIM PLATFORM)..... | 7, 8 |
| EXTERIOR (GRAPHICS)..... | 9, 10 |
| COCKPIT (HELM)..... | 11, 12 |
| INSTRUMENT PANEL..... | 13 |
| SWITCH PANEL..... | 14 |
| COCKPIT (PORT VIEW)..... | 15, 16 |
| MAIN DC BREAKER PANEL..... | 17 |
| COCKPIT (STARBOARD VIEW)..... | 18, 19 |
| COCKPIT (UPHOLSTERY)..... | 20, 21 |
| CANVAS (TOAST)..... | 22, 23 |
| CANVAS (BLUE)..... | 24, 25 |
| CANVAS (GREEN)..... | 26, 27 |
| CANVAS (BLACK)..... | 28, 29 |
| PORT HEAD..... | 30, 31 |
| FORWARD STATEROOM..... | 32, 33 |
| GALLEY..... | 34, 35 |
| SALON (PLAN A)..... | 36, 37 |
| SALON (PLAN B)..... | 38, 39 |
| MID STATEROOM..... | 40, 41 |
| AC MAIN DISTRIBUTION PANEL 50HZ WITH GENERATOR..... | 42, 43 |
| WATER LEVEL INDICATOR PANEL..... | 44 |
| MAIN DISTRIBUTION PANEL ACCESSORY BOARD..... | 45 |
| DC MAIN DISTRIBUTION PANEL 12V WITH GAS GENERATOR..... | 46 |
| BILGE (ELECTRICAL)..... | 47 |
| BILGE..... | 48, 49 |
| FUEL SYSTEM..... | 50, 51 |
| GENERATOR SYSTEM (GAS)..... | 52 |
| AIR CONDITIONING SYSTEM..... | 53 |
| STEERING SYSTEM..... | 54 |
| WATER SYSTEM..... | 55, 56 |
| SEWAGE SYSTEM..... | 57, 58 |
| DRAINAGE SYSTEM..... | 59, 60 |

| OPTIONS - PARTS LIST | PAGE |
|--|-------------|
| T-5.7L EFI BR3 (T-260 PHP) MCM STERN DRIVES..... | 61 |
| T-350 MAG MPI BR 3 (T-300 PHP) STERN DRIVES..... | 61 |
| T-D4.2L D-TRONIC BR3 (225PHP) STERN DR.DSLS..... | 61 |
| T-5.0L EFI BR3 (T-240 PHP) MCM STERN DRIVES..... | 61 |
| T-5.0L EFI BR2 (T-240 PHP) MCM STERN DRIVES..... | 61 |
| T-KAD 44P EDC/DP (T-240PHP) VOLVO S/D DSLS..... | 61 |
| T-MX 6.2 MPI BR 3 (T-320 PHP) MCM STERN DR..... | 61 |
| T-5.0L MPI BR 2 (T-260 PHP) MCM STERN DR..... | 61 |
| T-5.0L MPI BR 3 (T-260 PHP) MCM STERN DR..... | 61 |
| CAMPER CANVAS PACKAGE..... | 61 |
| COCKPIT COVER..... | 61 |
| SPOTLIGHT, 5" REMOTE CONTROLLED..... | 61 |
| MACERATOR W/ SEACOCK INTERLOCK SYSTEM..... | 62 |
| GRAY WATER SYSTEM..... | 62 |
| BOW THRUSTER..... | 62 |
| BOTTOM PAINT (STERN DRIVES)..... | 62 |
| COCKPIT REFRIGERATOR DUAL VOLT-220V/50-12V..... | 62 |
| ALCOHOL / ELECTRIC STOVE- 220V/50 EURO INTL..... | 62 |
| 220 VOLT / 50 CYCLE ELECTRICAL SYSTEM..... | 62 |
| AIR CONDITIONING / HEATING- 1 TON - 120V/60..... | 62 |
| AIR CONDITIONING / HEATING -1 TON- 220V/50..... | 62, 63 |
| GENERATOR-WESTERBEKE-GAS-4.5KW-120V/60..... | 63 |
| GENERATOR-WESTERBEKE-DIESEL-5.0KW-120V/60..... | 63 |
| GEL-COATED DASH - TAN..... | 63 |
| COUCH & TABLE W/ STORAGE BELOW (B)..... | 63, 64 |
| SUN PAD W/ SS DECK RUNNERS - FORWARD DECK..... | 64 |
| COCKPIT REFRIGERATOR DUAL VOLT- 120V/60-12V..... | 64 |
| RAYMARINE ELECTRONICS PACKAGE..... | 64 |
| DELETE HALON, PLUG HOLES IN DASH, NO CREDIT..... | 64 |
| INT'L TRAILER-TWIN ENGINE - PAINTED BUNK..... | 64 |
| INT'L TRAILER-TWIN ENGINE - PAINTED ROLLER..... | 64 |
| INT'L TRAILER-TWIN ENGINE - GALVANIZED BUNK..... | 64 |
| INT'L TRAILER-GALVANIZED W/ ROLLER..... | 64 |
| ALCOHOL / ELECTRIC STOVE - 120V/60..... | 64 |
| WINDLASS-LOFRANS PROGRESS-CHAIN..... | 64 |
| GENERATOR-WESTERBEKE-GAS-3.8KW-220V/50..... | 64 |
| GENERATOR-WESTERBEKE-DIESEL-4.0KW-220V/50..... | 64, 65 |
| WINDLASS - LOFRANS PROGRESS - ROPE / CHAIN..... | 65 |
| C E OPTION GROUP..... | 65 |
| 2.20 TO 1 BRAVO 3 HIGH ALTITUDE GEAR RATIO..... | 65 |
| 2.2 TO 1 BRAVO 2 HIGH ALTITUDE GEAR RATIO..... | 65 |
| OWNER ORIENTATION VIDEO - PAL FORMAT..... | 65 |
| TV / VCR COMBO - 120V/60..... | 65 |
| TV / VCR COMBO - MULTISYSTEM - 220V/50..... | 65 |
| RAYMARINE ST-60 TRIDATA..... | 65 |
| RADAR - RL70RC W/ GPS & RAYCHART PLOTTER..... | 65 |
| COCKPIT REFRIGERATOR - 12V..... | 65 |
| WINDSHIELD W/ STAINLESS STEEL FRAME..... | 65 |
| INSTALL WINDSHIELD & ARCH - INT'L SHIPMENT..... | 65 |
| BLACK CANVAS OPTION..... | 65 |
| "335DA" MODEL DESIGNATORS..... | 65 |

EXTERIOR (DECK)



EXTERIOR (DECK)

- 1 1109347 DECK PLATE, WASTE SS BLK CLR-CODE
- 522599 KEY, DECK PLATE CAP
- 522581 DECK PLATE, CAP W/CHAIN
- 2 1463488 CLEAT, 10.5" SEA RAY SS
- 1473057 PLATE, BACKING CLEAT 1/4"X 2.5"X 5"
- 3 1109321 DECK PLATE, WATER SS BLUE CLR-CODE
- 522557 DECK PLATE, CAP W/CHAIN GAS/WATER
- 522599 KEY, DECK PLATE CAP
- 4 1567858 RAIL, 300DA-02 BOW STD
- 1210046 PLATE, BACKING BOW RAIL ALUM 2.5" ROUND
- 5 985762 HATCH, DECK 12X12 ULTRA II NO CLIPS
- (ABOVE # IS FOR HULL# 1200 TO 1314)
- 1606250 SKYLIGHT, PLEX DECK 14"GRY W/2.25"BDR
- (ABOVE # IS FOR HULL# 1315 AND UP)
- 968347 GASKET, DECK HATCH 12X12
- 880716 SCREEN, DECK SKYSCREEN 12"X 12" SLR
- 1193754 TRIM RING, HATCH 12X12 W/2.5"LIP WHTPC
- 6 1574326 RAIL, DECK RUNNER 300DA-02 P/S
- (OPTIONAL SUN PAD W/ SS DECK RUNNERS - FWD DECK)
- 7 1414895 LIGHT, NAV SIDE SS HORZ 12V
- 1423946 BULB, REPL FOR #1414895 12V
- 8 985754 HATCH, DECK 20X20 ULTRA II NO CLIPS
- 1174614 GASKET, DECK HATCH 20X20
- 858845 SCREEN, DECK SKYSCREEN 20"X 20" SLR
- 9 1453992 PORTLIGHT, OPENING ALL SS 3/8"-7/8" MOD REV1
- 1454008 PORTLIGHT, OPENING ALL SS 3/8"-7/8" FROS REV1
- (PORT HEAD ONLY)
- 1331313 PORTLIGHT, SCREEN 3/8"X 7/8"
- 10 1080100 INSERT, RUB RAIL SS 3/4"X 12" (.062/304SS)
- 11 897363 RUBRAIL, PVC ARCWHT 18" (SS INSERT)
- 12 1555614 COVER, DR/ABS 300DA-02 PORT VENT
- 1555606 BOX, DR/ABS 300DA-02 PORT VENT
- 1574359 COVER, DR/ABS 300DA-02 STBD VENT
- 1574367 BOX, DR/ABS 300DA-02 STBD VENT
- 1574706 A/C COMP. TRANSITION BOX 4" X 4" PLAS
- (PORT AND STBD)
- 13 1109313 DECK PLATE, GAS SS 1.5" RED CLR-CODE
- 522557 DECK PLATE, CAP W/CHAIN GAS/WATER
- 522599 KEY, DECK PLATE CAP
- 14 896910 WINDLASS, RP/CHN PROGI LO-PRO STD
- (WINDLASS-LOFRANS PROGRESS-ROPE/CHAIN OPTION)
- 896902 ROPE/CHAIN KIT, LOFRANS 5/8"X 200'/5/16"X 25'
- (WINDLASS-LOFRANS PROGRESS-ROPE/CHAIN OPTION)
- 15 757765 WINDLASS FOOTSWITCH, HVY DUTY W/SAFETY CVR WHT
- (WINDLASS-LOFRANS PROGRESS-ROPE/CHAIN OPTION)
- 16 1463470 CLEAT, 8.5" SEA RAY SS
- 1473040 PLATE, BACKING UNIVERSAL 3/16"
- 17 129908 SPOTLIGHT, 5"
- 841205 (OPTIONAL SPOTLIGHT, 5" REMOTE CONTROLLED)
- BULB, REPL FOR #0129908 SPOTLIGHT
- (OPTIONAL SPOTLIGHT, 5" REMOTE CONTROLLED)
- 18 1073097 DAVIT, ANCHOR W/4"ROLLER 3/8"BAIL
- 19 697508 EYE, BOW 3/8"X 2.75"
- 20 805499 LANYARD, CABLE ANCHOR 1/8" SS
- 21 819334 HOOK, SNAP 5/16"X 3 1/8" SS
- 22 1569938 PAD, HDPE 300DA-02 ANCHOR GUARD ARC/WHT
- 23 1401736 HORN, GRILL DUAL SS OVERLAY SERIES 84
- 1413475 HORN, DUAL BLK W/SPADE CONNECTORS SERIES 84
- 1418060 SHIM, RUBBER 6MM SS LATCH
- 24 1598226 300DA 02,HATCH,FWD ANCHOR STRG
- 25 1114198 HINGE, SS CONT 2"X 14.5" W/1/8" PIN
- 26 749341 TRIM-SEAL, 5/16" W/7/16"BULB LOC-C
- 27 1043918 WINDLASS, CRANK HANDLE LOFRANS PROGRESS
- 28 579573 CLIP, RETAINER BOAT HOOK 5/8"TO 1 1/4"
- 29 1424597 CYLINDER, GAS SS 20PSI 15"EXT X 9"COMP
- 634550 BRACKET, SS GAS CYL 90DEG L-BRKT W/BALL LONG
- 30 1480813 LATCH, FLUSH MOUNT ROUND T-HNDL SS W/PAWL
- 1448422 PLATE, STRIKER ORCAS "S" SHAPED 316 SS
- 31 1477389 ANCHOR, 25LB PLOW XT
- 32 1145275 ANCHOR SHACKLE, JAW/JAW SWIVEL HVY DTY 3/8"
- 33 144956 ROPE, NYLON ANCHOR LINE WTHIMBLE 1/2"X 150'

LABELS

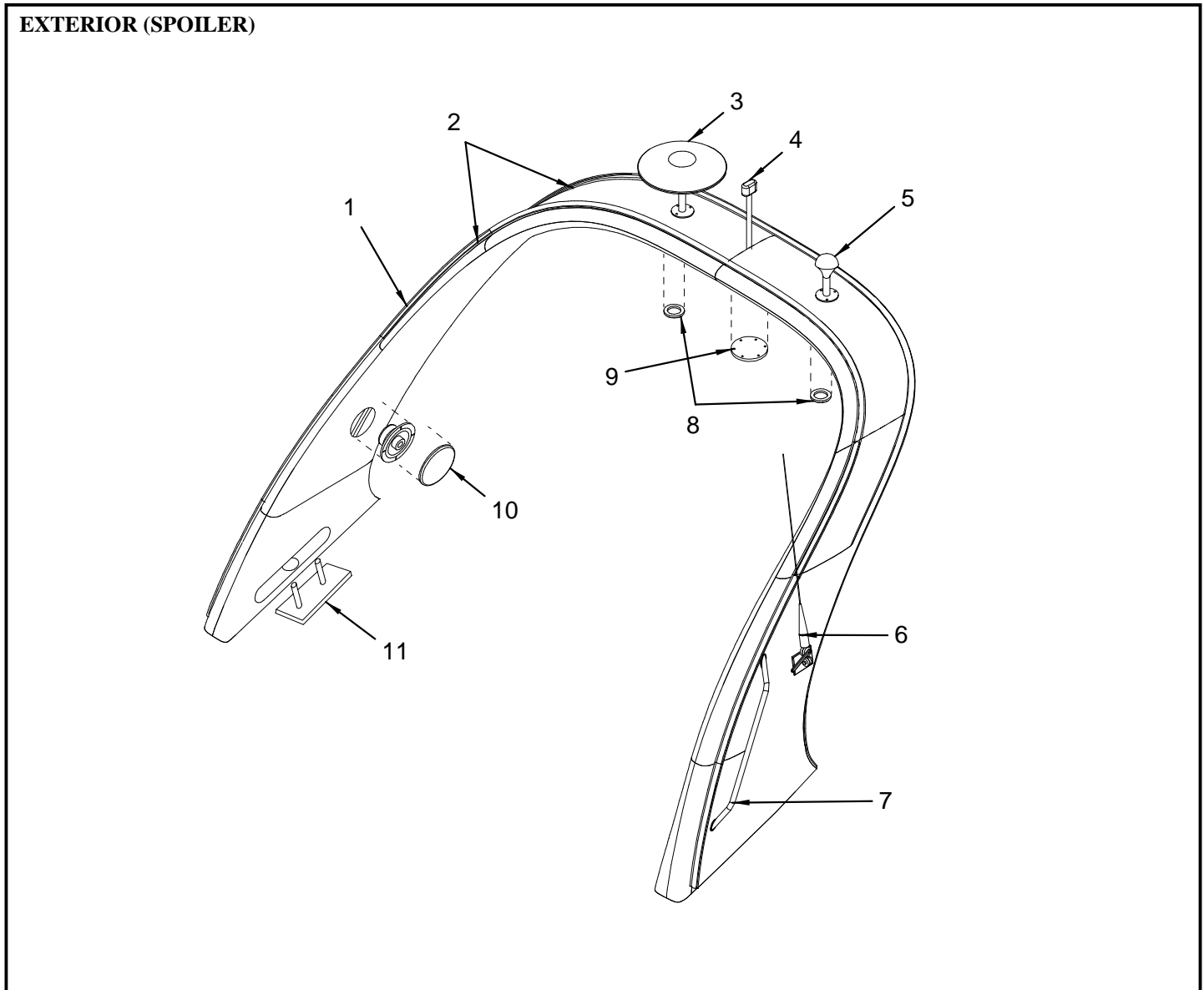
- 642108 DECAL, STRUCTURAL WARRANTY
- 711176 DECAL, PREMIUM VINYLESTER RESIN
- 996199 LABEL, ABYC MEMBERSHIP
- 1518737 DECAL, SEA RAY OWNERS CLUB (NBOA)
- 221861 LABEL, SLING (LEXAN)
- 852616 LABEL, LEAVING DOCKSIDE WATER CONNECTED WARN
- 1573112 LABEL, LADDER MAINTENANCE

NOT SHOWN

- 125062 PLATE, NMMA YACHT CERT GAS
- 137349 ACCESS PLATE, PLAS CVR 5" WHT
- 1220441 TAPE, FOAM SGL FACE WHT VINYL 3/8"X 72YD

NOT SHOWN SUN PAD

- 1589761 CUSH, 300DA-02 SUNPAD FWD DECK
- (OPTIONAL SUN PAD W/ SS DECK RUNNERS-FWD DECK)
- 1612977 CUSH SKIN, 300DA-02 SUNPAD FWD DECK
- (OPTIONAL SUN PAD W/ SS DECK RUNNERS-FWD DECK)



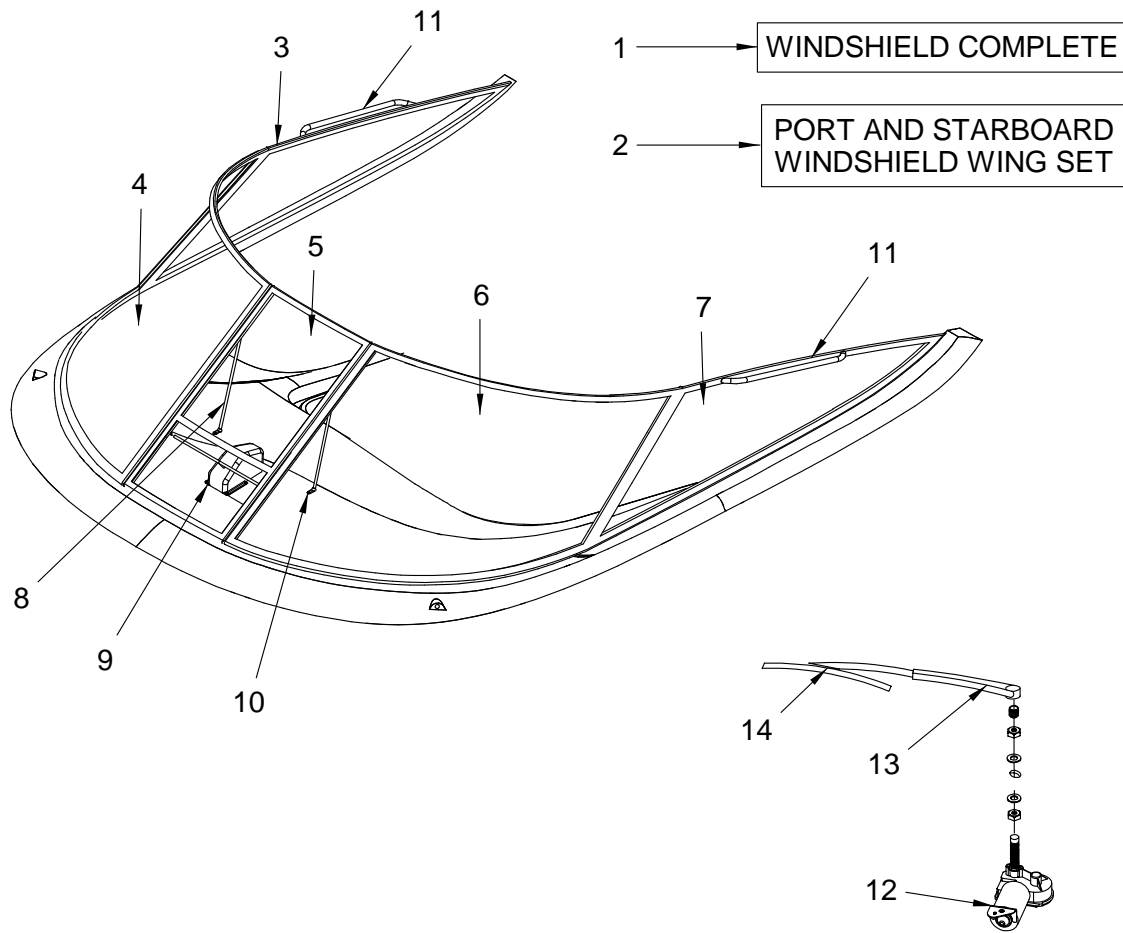
EXTERIOR (SPOILER)

NOT SHOWN

- 1 1579226 FBRGLS PART, 300DA-02 SPOILER
- 2 728014 TRACK, VINYL AWNING WHITE "FLEX-A-RAIL" 7.5"
- 3 792325 ANTENNA, TV GLOMAX ASSY W/CONN
- 4 291179 LIGHT, NAV MASTHEAD COMBO VAR MT 2"X 1.5"BASE
- 1205665 BULB, STERN NAV LIGHT REPL FOR#929042/#934083
- 5 1314871 GPS, RAYSTAR 112LP SENSOR SEATALK
(OPTIONAL RADAR - RL72RC W/ GPS & RAYCHART PLOTTER)
- 1592617 GPS, RAYSTAR RS120 SENSOR SEATALK WAAS
(OPTIONAL RAYMARINE ELECTRONICS PACKAGE - PART OF 1478957)
- 788711 MOUNT, ANTENNA DECK GPS SS
(OPTIONAL RAYMARINE ELECTRONICS PACKAGE)
- 881383 GASKET, GLOMAX TV GPS MOUNT BLK
(OPTIONAL RAYMARINE ELECTRONICS PACKAGE)
- 6 1286913 ANTENNA, 8' VALOR 4000 W/O MNT W/O CONN
- 1481258 MOUNT, RATCHET VHF SS W/GROMET & GASKET
- 7 1184175 RAIL, GRAB 24" STREAMLINE W/STUD FLANGES
- 8 137380 LIGHT, NAV STERN FLUSH MT CKPT
- 1200369 BULB, REPL FOR #0137380/#0783670
- 9 137349 ACCESS PLATE, PLAS CVR 5" WHT
- 1523901 ACCESS PLATE, PLAS SPOILER 8.75" ARW
(OPTIONAL RADAR - RL72RC W/ GPS & RAYCHART PLOTTER)
- 10 1440544 SPEAKER, COAXIAL EXT 6.5" CM1622
- 1492024 GRILL, SPEAKER EXT 6.5" WHT CM1622
- 11 1625078 PLATE, SS SPOILER MNT W/2STUD 1/2"X3.5"

- 122853 FITTING, WATER TIGHT OUTLET FOR 5/16" CABLE
- 1320175 WASHER, FENDER 1/2"X 2"X 1/8" SS
- 1581172 HARNESS, 300/320DA-02/340DA-03 SPOILER
- 1605369 PANEL, 300DA-01 SPORT SPOILER PORT SS
- 1605377 PANEL, 300DA-01 SPORT SPOILER STBD SSW
- 1625078 PLATE, SS SPOILER MNT W/2STUD 1/2"X3.5"

EXTERIOR (WINDSHIELD)



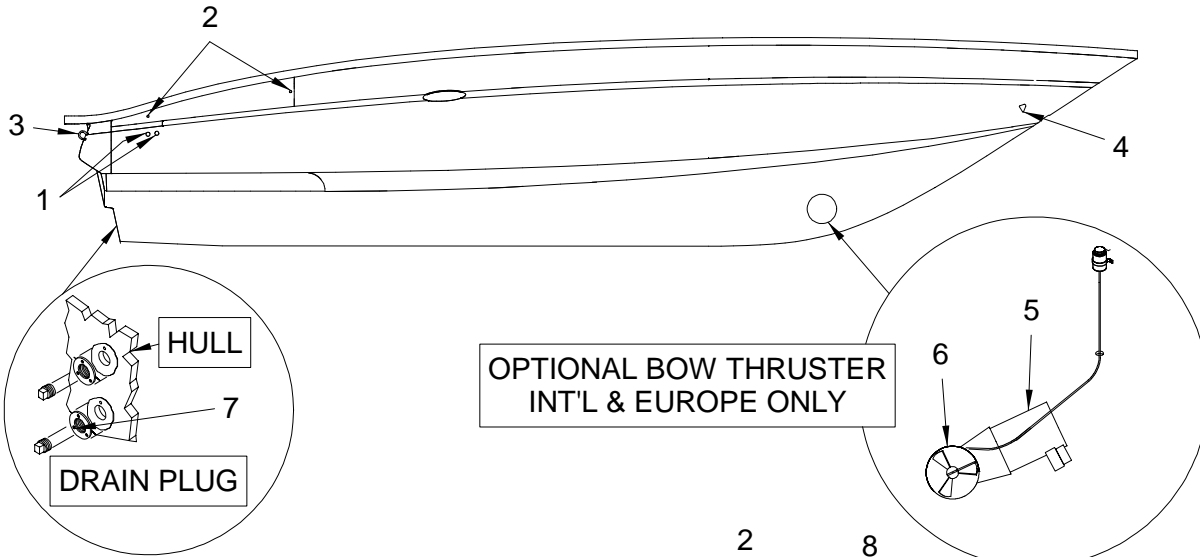
EXTERIOR (WINDSHIELD)

- 1 1574284 W/S, 300DA-02 ALUM COMP W/O SNAPS
1574292 W/S, 300DA-02 SS COMP W/SNAPS
(OPTIONAL WINDSHIELD-TEMPERED-TINTED-CURVED-STAINLESS)
- 2 1598523 W/S, 300DA-02 ALUM STND WINGS W/OUT SNAPS
1598531 W/S, 300DA-02 SS WINGS W/SNAPS
(OPTIONAL WINDSHIELD-TEMPERED-TINTED-CURVED-STAINLESS)
- 3 1598689 W/S, 300DA-02 ALUM WINGS W/OUT/SNAPS STBD
1598549 W/S, 300DA-02 SS WINGS W/SNAP STBD
(OPTIONAL WINDSHIELD-TEMPERED-TINTED-CURVED-STAINLESS)
- 4 1598697 W/S, 300DA-02 ALUM STBD FRONT W/O SNAPS
1598705 W/S, 300DA-02 SS STBD FRONT W/SNAPS
(OPTIONAL WINDSHIELD-TEMPERED-TINTED-CURVED-STAINLESS)
- 5 1598713 W/S, 300DA-02 ALUM FRNT/CNTR W/O SNAPS
1598721 W/S, 300DA-02 SS FRNT/CNTR W/SNAPS
(OPTIONAL WINDSHIELD-TEMPERED-TINTED-CURVED-STAINLESS)
- 6 1598747 W/S, 300DA-02 ALUM PORT FRONT W/O SNAPS
1598739 W/S, 300DA-02 SS PORT FRONT W/SNAPS
(OPTIONAL WINDSHIELD-TEMPERED-TINTED-CURVED-STAINLESS)
- 7 1598754 W/S, 300DA-02 ALUM WINGS W/OUT/SNAPS PORT
1598762 W/S, 300DA-02 SS WINGS W/SNAP PORT
(OPTIONAL WINDSHIELD-TEMPERED-TINTED-CURVED-STAINLESS)

- 8 1598788 SUPPORT, W/S 300DA-02 STBD
- 9 1100262 ACTUATOR, ELEC W/S VENT 4"8P CE
1409929 COVER, ABS W/S VENT ACTUATOR ARW
1409911 COVER, ABS W/S VENT ACTUATOR ZPHR
(OPTIONAL TAN DASH GELCOAT)
- 10 1598770 SUPPORT, W/S 300DA-02 PORT
- 11 724187 RAIL, GRAB 24" STREAMLINE 3/4" TUBE W/O STUD
- 12 663930 WIPER MOTOR, 100 DEG
- 13 129783 WIPER ARM, 15"-19" BLACK
- 14 129767 WIPER BLADE, 18" FLEX BLACK

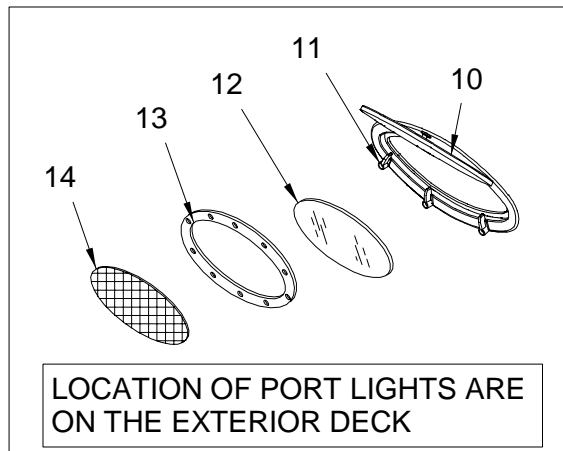
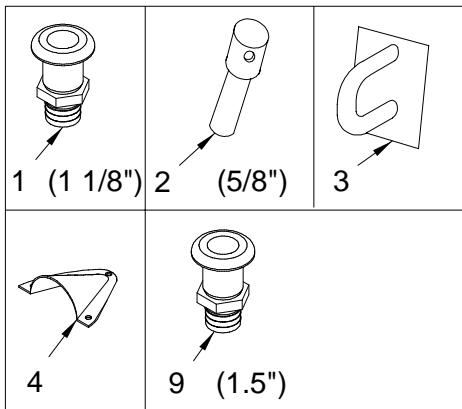
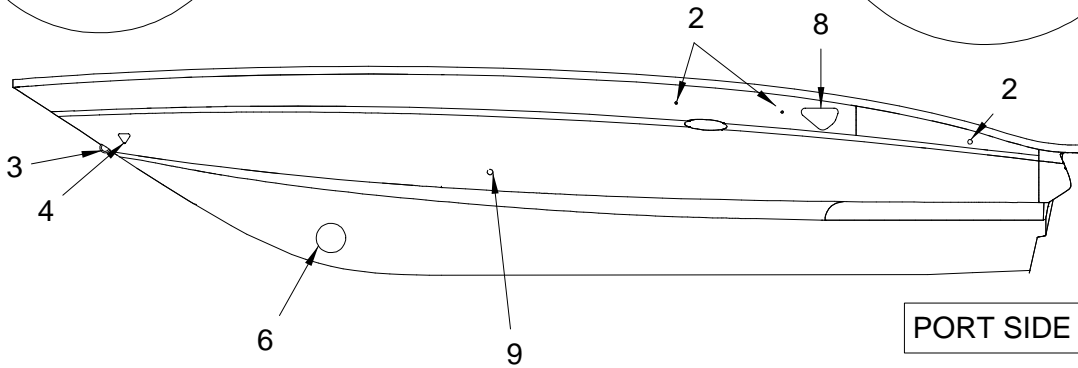
EXTERIOR (HULL)

STARBOARD SIDE



OPTIONAL BOW THRUSTER
INT'L & EUROPE ONLY

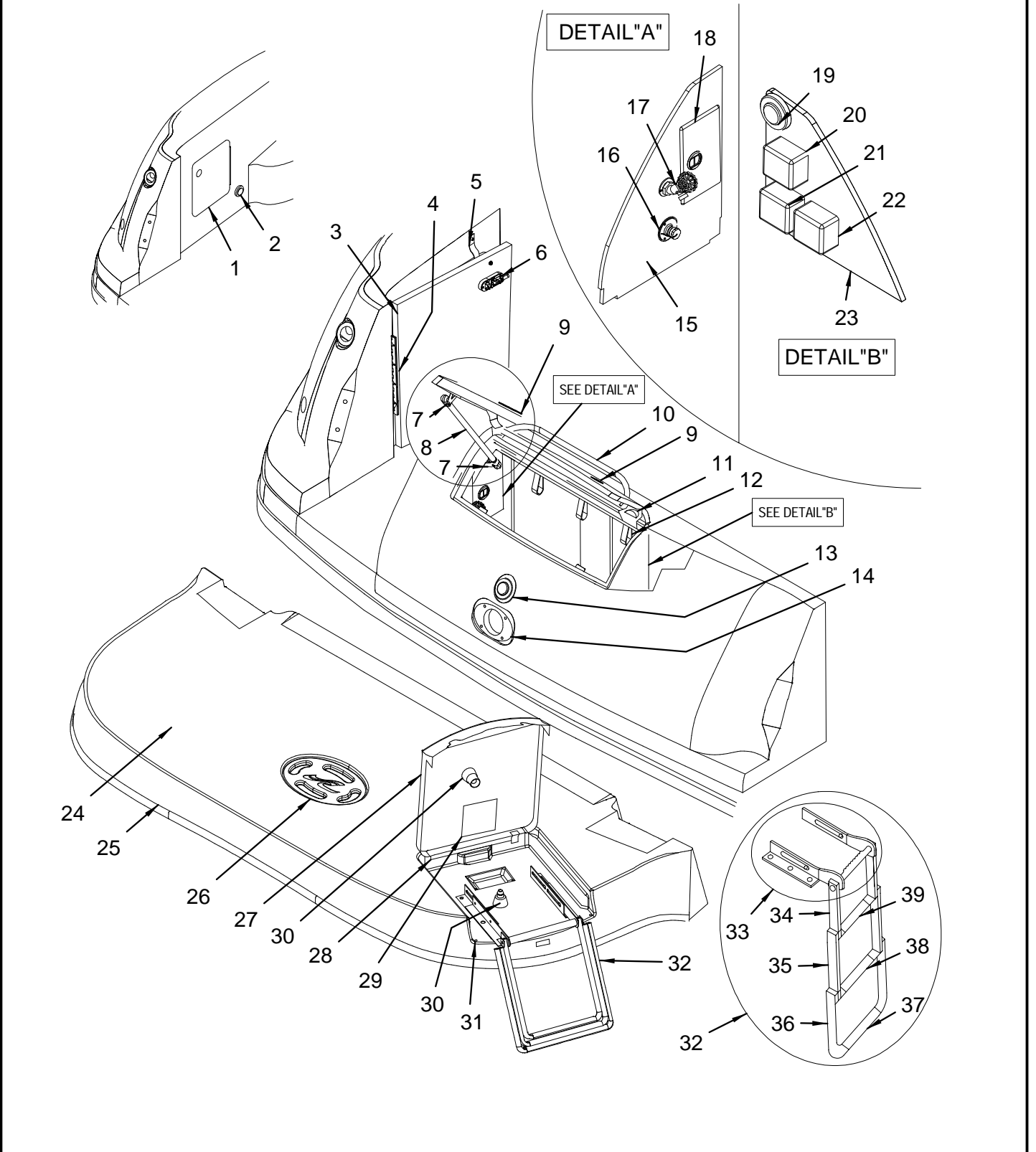
PORT SIDE



EXTERIOR (HULL)

- 1 124578 THRU-HULL, PLAS 1 1/8" WHT
- 2 126888 VENT, FUEL/WATER TANK 5/8"X 3"
- 3 126599 EYE, STERN 1/2"X 3 7/16" W/BACKING PLATE
- 4 126870 VENT, CLAMSHELL ROPE LCKR 1 5/8"X 1.5"
- 5 1592401 BOW THRUSTER, SIDE PWR 77LB THRST W/3HP MOTOR
(OPTIONAL BOW THRUSTER - INT'L & EUROPE ONLY)
- 6 1592419 BOW THRUSTER, TUNNEL 125X900X4MM W/SM35S ONLY
(OPTIONAL BOW THRUSTER - INT'L & EUROPE ONLY)
- 7 325191 PLUG, RED BRASS DRAIN PLUG 1/2"MPT
- 8 688721 COVER, CUSTOM CLAMSHELL (ABS/DR)
- 9 124537 THRU-HULL, PLAS 1.5" WHT
- 10 1453992 PORTLIGHT, OPENING ALL SS 3/8"-7/8" MOD REV1
- 1454008 PORTLIGHT, OPENING ALL SS 3/8"-7/8" FROS REV1
(HEAD ONLY)
- 1513183 TRIM RING, PORTLIGHT 3/8" SS
- 1314459 PORTLIGHT, GASKET SATURATED FOAM
- 11 1107044 PORTLIGHT, HANDLES QUICKDOGS (BOMAR)
- 12 1331750 PORTLIGHT, LENS ONLY (BOMAR)
- 13 1331735 PORTLIGHT, GASKET ONLY (BOMAR)
- 14 1331313 PORTLIGHT, SCREEN 3/8"X 7/8"

EXTERIOR (TRANSOM STORAGE AND SWIM PLATFORM)



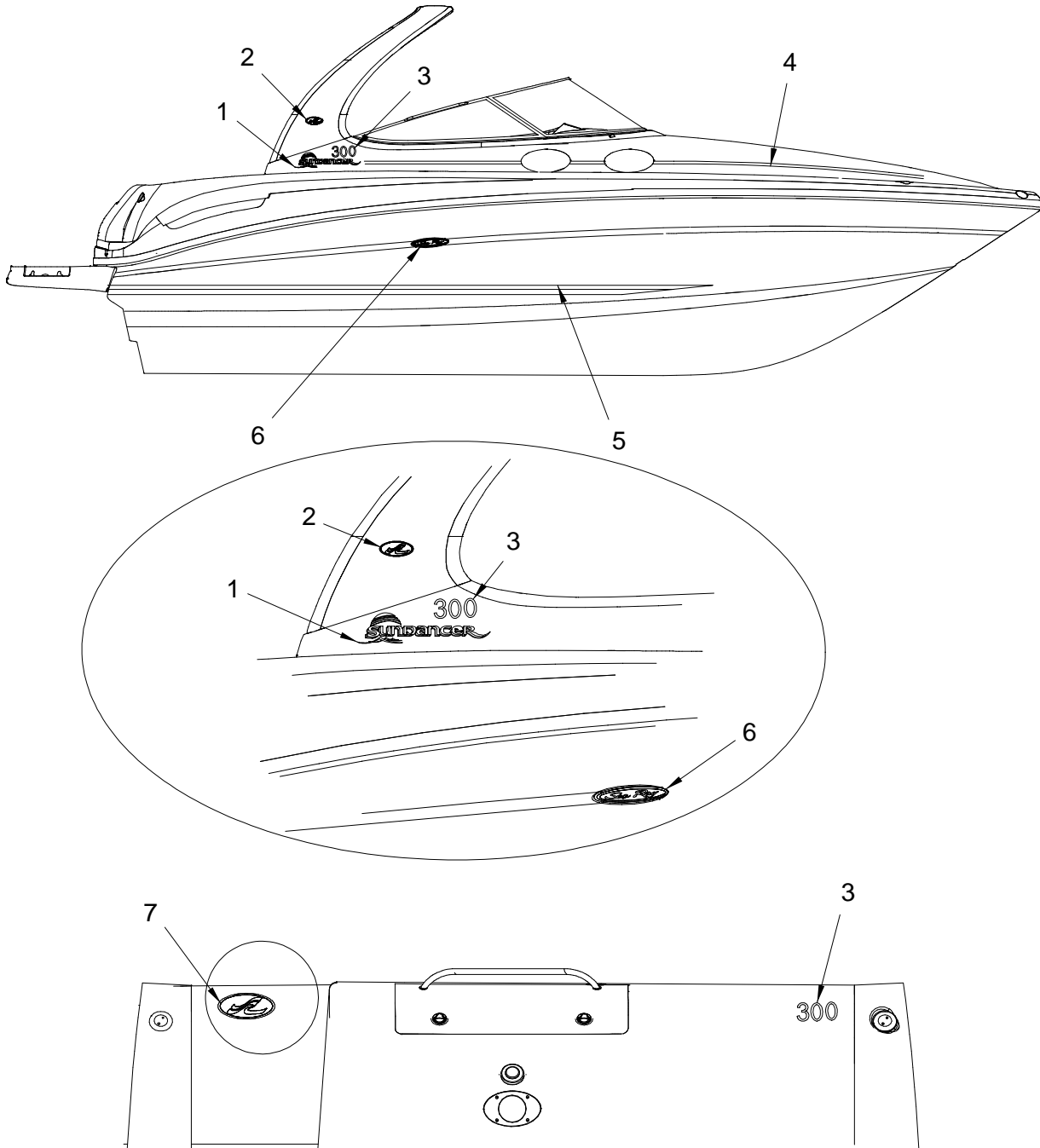
EXTERIOR (TRANSOM STORAGE AND SWIM PLATFORM)

- | | | |
|----|---------|---|
| 1 | 1630797 | BOX, HDPE 300DA-02 9"X 17" STRG DOOR (HULL#1310->UP) |
| | 1580687 | BOX, HDPE 300DA-02 STBD W/17"X 17" STRG DOOR (HULL#1201->1309) |
| 2 | 137380 | LIGHT, NAV STERN FLUSH MT CKPT |
| | 1200369 | BULB, REPL FOR #0137380/#0783670 |
| 3 | 1581925 | DOOR, PLEX 300DA-02 TRANS W/HDWR |
| 4 | 1612753 | HINGE, SS 300DA-02 TRANSOM DOOR |
| 5 | 175257 | BUMPER, WHT LARGE ROUND 0.88"WD X 0.40"HG |
| | 156893 | WEBBING, POLYPROPYLENE 1" BLACK |
| | 154369 | SNAP STUD, W/#8 X 3/8" PH SS |
| | 1163872 | SNAP BUTTON, W/ 1/8" BARREL |
| | 1163864 | SNAP SOCKET, W/ 1/8" HOLE |
| 6 | 156240 | BOLT, BARREL CHR 3"BOLT 3 7/16"LOA |
| | 190579 | BUSHING, NYLON 0.76"OD X 3/8"SHAFT |
| 7 | 634550 | BRACKET, SS GAS CYL 90DEG L-BRKT W/BALL LONG |
| 8 | 1425362 | CYLINDER, GAS SS 40PSI 12"EXT X 8"COMP |
| 9 | 1480813 | LATCH, FLUSH MOUNT ROUND T-HNDL SS W/PAWL |
| | 1418060 | SHIM, RUBBER 6MM SS LATCH |
| 10 | 1184175 | RAIL, GRAB 24" STREAMLINE W/STUD FLANGES |
| 11 | 1338821 | HINGE, SS STRAP 2.56" X 2.56" X 1/4" |
| 12 | 855809 | ROPE, DOCKLINE STRAP WHT W/HDWR (SHORT STYLE) |
| 13 | 1227412 | LIGHT, NAV STERN FLUSH MT RND CHR/BRS N/STUDS |
| | 901199 | BULB, STERN NAV LIGHT REPL #137406-1227412 |
| 14 | 981092 | INSERT, HDPE OVAL HAWSE HOLE ARW |
| 15 | 1580869 | BLKHD, LDPVC 300DA-02 TRNSM WALL WTR |
| 16 | 141168 | INLET, WATER W/PRESS REGULATOR WHT |
| 17 | 1096262 | FAUCET, SILLCOCK WASHDOWN (WHITECAP) |
| 18 | 736702 | FAUCET, WASHDOWN BOX W/MIXER (AQUATIK) VERT |
| | 1302579 | FAUCET, WASHDOWN SHOWER UNIT ONLY (AQUATIK) |
| | 1302587 | FAUCET, WASHDOWN DOOR ONLY (AQUATIK) |
| | 1302595 | FAUCET, WASHDOWN HOSE W/FPT ONLY (AQUATIK) |
| | 1302603 | FAUCET, WASHDOWN SPRAYER HEAD ONLY (AQUATIK) |
| | 1302504 | FAUCET, CARTRIDGE CERAMIC 90DEG RH |
| | 1298710 | FAUCET, CARTRIDGE CERAMIC 90DEG LH |
| 19 | 840868 | LIGHT, COURTESY ROUND W/FROSTED LENS 12V/5W |
| | 1192368 | BULB, REPL FOR #0840868 12V/5W |
| 20 | 829416 | INLET, "MAIN BRKR" HOUSING WHT |
| 21 | 133678 | INLET, SHORE POWER WHT 125V 30A |
| | 1244367 | CORD SET, 120V/30A 50FT POWERCORD PLUS |
| 22 | 133694 | INLET, PHONE/TV CABLE COMBO WHT (OPTIONAL TV / VCR COMBO) |
| | 136085 | CORD SET, TV CABLE 50FT |
| 23 | 1580877 | BLKHD, LDPVC 300DA-02 TRNSM WALL SHRPWR |
| 24 | 1647247 | 300DA 02, SWMPLTFM, FBRGLS |
| 25 | 743625 | TRIM, EDGE WHITE MOTOR BOX LARGE |
| | 1412535 | ADHESIVE, JET-WELD 10OZ WHT CARTRIDGE |
| 26 | 973842 | INSERT, HDPE SWMPLTFM W/SR LOGO ARW |
| 27 | 1598879 | 300DA 02, HATCH, SWIM LADDER |
| 28 | 844753 | HINGE, SS CONT 2"X 15" W/1/8" PIN |
| 29 | 1573112 | LABEL, LADDER MAINTENANCE |
| 30 | 1118314 | CATCH, RBR SUNPAD HOLD-DOWN |
| 31 | 508820 | BUMPER, CANOE CLIP ROUND BLK SWIM LADDER |
| 32 | 1473750 | LADDER, SWIM 3-STEP SS CONCEALED REV2 GUDGNS |
| 33 | 1685191 | LADDER, SWIM SLIDING GUDGEON ASSY |
| 34 | 1225770 | LADDER, SWIM TOP "U" |
| 35 | 1225762 | LADDER, SWIM MID "U" |
| 36 | 1225788 | LADDER, SWIM BTM "U" |
| 37 | 909325 | LADDER, TREAD 12 7/8" |
| 38 | 909317 | LADDER, TREAD 11.75" |
| 39 | 973446 | LADDER, TREAD 10 3/8" |

LABELS

- | | |
|---------|---|
| 811000 | LABEL, DANGER TRNSM DOOR (LEXAN) |
| 987719 | LABEL, DANGER COMBO-GAS POWERED BOAT |
| 1112879 | LABEL, DANGER SHUT OFF ENG WHEN NEAR SWIMMERS |
| 852616 | LABEL, LEAVING DOCKSIDE WATER CONNECTED WARN |
| 1087477 | LABEL, GALVANIC ISOLATOR INSTALLED REVERSE... |

EXTERIOR (GRAPHICS)



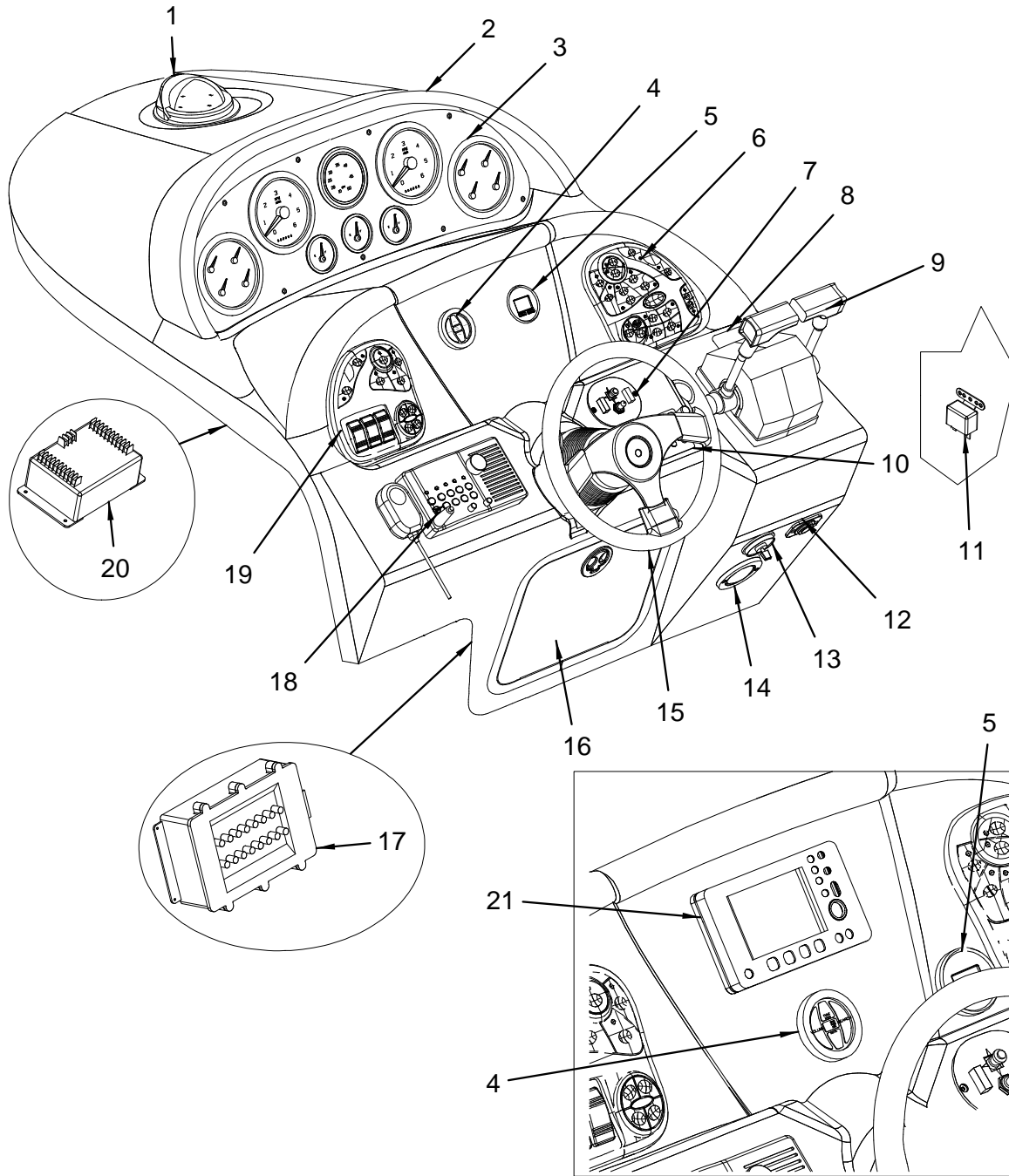
EXTERIOR (GRAPHICS)

- 1 791145 DECAL, "SUNDANCER" BLK/GLD
- 979146 DECAL, "SUNDANCER" HNTR GRN/GOLD MET
- 979161 DECAL, "SUNDANCER" PASSPORT/GOLD MET
- 2 1443225 EMBLEM, S/R WAVE 8" OVAL CHR TRNSM
- 3 1590470 EMBLEM, MODEL DESG 300 URETHANE BLK W/CHR
- 1675057 EMBLEM, MODEL DESG 335 URETHANE BLK/CHR
(ABOVE # 335DA INTERNATIONAL ONLY)
- 4 869891 TAPE, M/S 1"W/1/4"VOID BLK/GLDMET
- 979013 TAPE, M/S 1"W/1/4"VOID HNTRGRN/GLDMET
- 979153 TAPE, M/S 1"W/1/4"VOID PASPRT/GLDMET
- 5 980722 TAPE, M/S 4"W/1"VOID BLK/GLDMET
- 979054 TAPE, M/S 4"W/1"VOID HNTRGRN/GLDMET
- 979047 TAPE, M/S 4"W/1"VOID PASPRTBL/GLDMET
- 6 1443183 EMBLEM, "SEA RAY" SCRIPT HULL LOGO CHR 13"
- 7 1443191 EMBLEM, S/R WAVE 5" OVAL CHR TRNSM

GELCOATS

- 1317858 GEL COAT, ARCTIC WHT
- 1543180 GEL COAT, ANTIQUE WHT

COCKPIT (HELM)

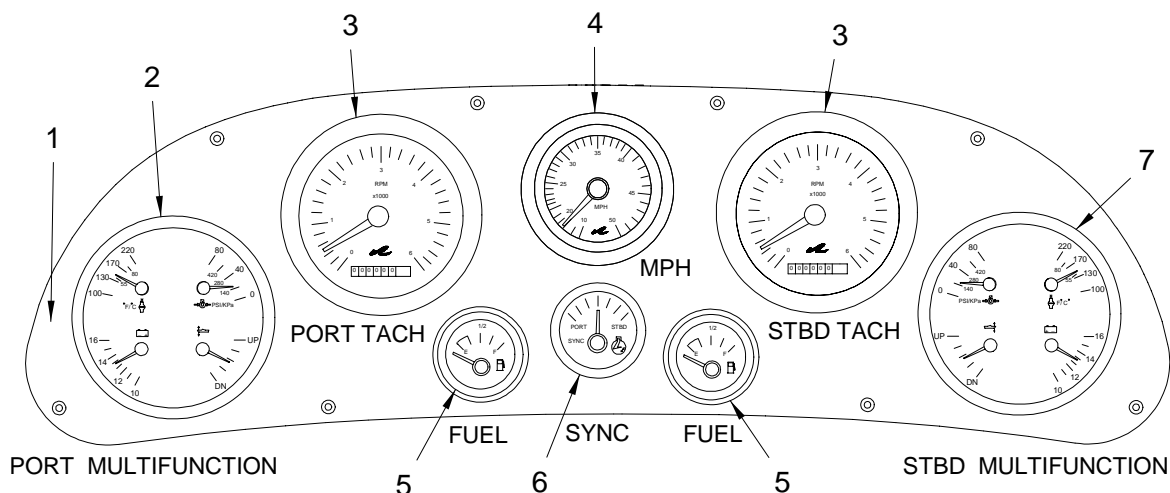


OPTIONAL RAYMARINE ELECTRONICS PACKAGE OR
OPTIONAL RAYMARINE ST-60 TRIDATA

COCKPIT (HELM)

- 1 1472042 COMPASS, FLUSH MT 4 3/16" WHT
- 1472802 COMPASS, FLUSH MT 4 3/16" BLK
(OPTIONAL TAN DASH GELCOAT)
- 2 1642727 VISOR, DASH 300DA-02 WHITE
- 1590603 VISOR, DASH 300DA-02 ZEPHYR
(OPTIONAL TAN DASH GELCOAT)
- 3 1564129 PANEL, 300DA-02 INST GAS W/BURL
- 1564178 PANEL, BLANK:300DA-01 INST TWN DSL
- 4 1163054 STEREO, REMOTE CNTRL WHT BZL/WHT FACE
(HULL # 1200-1241)
- 1163062 STEREO, REMOTE CNTRL CHR BZL/GRY FACE
(OPTIONAL TAN DASH GELCOAT)
(HULL # 1200-1241)
- 1598465 STEREO, REMOTE CNTRL W/DIGITAL DISPLAY SS
(HULL # 1241-UP)
- 1312750 CABLE, CLARION REMOTE EXTENSION CABLE 24'
- 5 742296 DEPTH FINDER, LOWRANCE 3500 GREY W/O BEZEL
- 987693 DEPTH FINDER, BEZEL GRY W/CHR OVERLAY
- 6 1447622 MODULE, ELEC SWPAD SPORT CRUISER STB
(HULL# 1201 -> 1203)
- 1606573 MODULE, ELEC SWPAD SPORT CRUISER STB CNVX
(HULL# 1204 -> UP)
- 7 263376 CONTROL, SEARCH LIGHT W/O HARNESS
- 129932 CABLE, SPOTLIGHT CONTROL
- 8 135095 LABEL, NOTICE AUTO HALON SYSTEM (LEXAN)
- 9 278184 CONTROL, THRTL/SHFT DUAL I/O
- 10 1587237 BOW THRUSTER, JOYSTICK (IMTRA)12/24V W/ON/OFF
- 11 140327 ALARM, BUZZER HIGH WATER
- 12 1287283 RECEPTACLE, FEMALE 12V LONG THRD BLK
- 1259977 PLATE, FEMALE 12V RECEPTACLE MNT
- 324756 LABEL, RECEPTACLE 12V-15A MAX (LEXAN)
- 13 780577 SWITCH, TRAILER POSITION
- 14 137380 LIGHT, NAV STERN FLUSH MT CKPT
- 1200369 BULB, REPL FOR #0137380/#0783670
- 15 1526292 STEERING WHEEL, 14.25" SPCRUIS MAHOG W/BLK
- 917013 EMBLEM, S/R EMB SCRIPT WHEEL GOLD-BEZEL 1.75"
- 16 1589340 DOOR, HDPE 300DA-02 HELM STRG W/FRAME ARW
- 1577568 DOOR, HDPE 300DA-02 HELM STRG W/FRAME ZPHR
(OPTIONAL TAN DASH GELCOAT)
- 17 1447606 MODULE, ELEC INTERFACE AFT SPORT CRUISER
- 18 1027697 RADIO, VHF RAY-210
(HULL # 1200-1306)
- 1055763 RADIO, VHF/HAILER/DSC RAY-220
(HULL # 1307-UP)
- 1055805 FLUSH MOUNT KIT, RAY-220 VHF RADIO FRONT MNT
(HULL # 1307-UP)
- 19 1606581 MODULE, ELEC SWPAD SPORT CRUISER PRT CNVX
(HULL# 1204 -> UP)
- 1447614 MODULE, ELEC SWPAD SPORT CRUISER PRT
(HULL# 1201 -> 1203)
- 20 1447598 MODULE, ELEC INTERFACE FWD SPORT CRUISER RVB
- 21 1408590 TRIDATA, RAYTHEON (DEPTH,SPEED,TEMP,LOG)
**(OPTIONAL RAYMARINE ELECTRONICS PACKAGE OR
OPTIONAL RAYMARINE ST-60 TRIDATA)**

INSTRUMENT PANEL

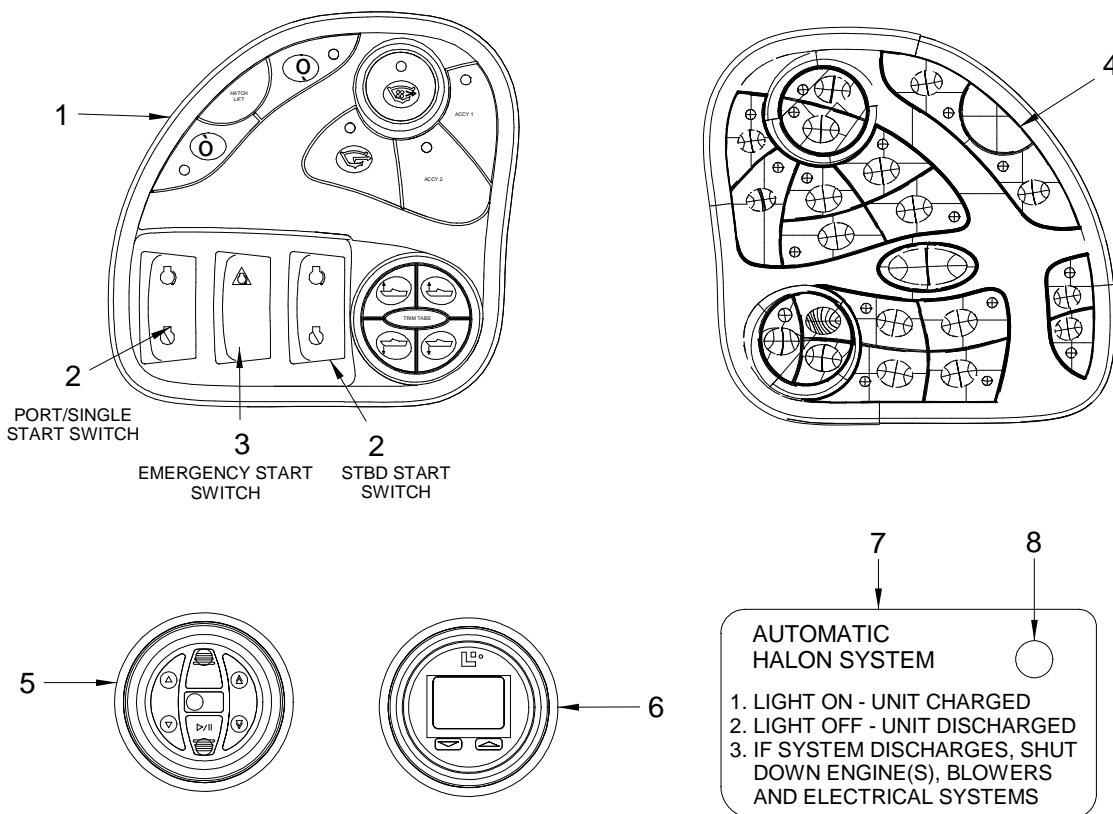


CONTROL STATION INSTRUMENT PANEL (TWIN ENGINE GAS & DIESEL)

INSTRUMENT PANEL

- 1 1564129 PANEL, 300DA-02 INST GAS W/BURL
- 1564152 PANEL, 300DA-01 INST DIESEL W/BURL
- 1564178 PANEL, BLANK:300DA-01 INST TWN DSL
- 2 1540905 GAUGE, TELE 4/1 SR-5"80PSI,220F,V,TRIM PT NXG
(MERC GAS)
- 1540889 GAUGE, TELE 4/1 SR-5"125PSI,240F,V,F PORT NXG
(MERC DIESEL)
- 1540962 GAUGE, TELE 4/1 SR-5"125PSI,220F,V,TRIM PT NX
(VOLVO DIESEL)
- 3 1540756 GAUGE, TACH/LCDHOUR 5"6K STD IGN 12V NEXT GEN
(MERC DIESEL/GAS)
- 1540764 GAUGE, TACH/LCDHOUR 5"4K MAG P/U 30T VOLVO NG
(VOLVO DIESEL)
- 4 1540806 GAUGE, SPEEDO 65 MPH SR-3" NEXT GENERATION
- 5 1540665 GAUGE, FUEL 2" E-F SR-2" NEXTGEN
- 6 1540822 GAUGE, ENG SYNC SR-2" P/S NEXT GENERATION
(MODULE MERC GAS/MERC DIESEL)
- 144857 SENDING UNIT, ENG SYNC MODULE (GAS)
- 179721 SENDING UNIT, ENG SYNC MODULE (MAG VOLVO)
(MODULE VOLVO DIESEL)
- 7 1540921 GAUGE, TELE 4/1 SR-5"80PSI,220F,V,TRIM STBDNX
(MERC GAS)

SWITCH PANEL

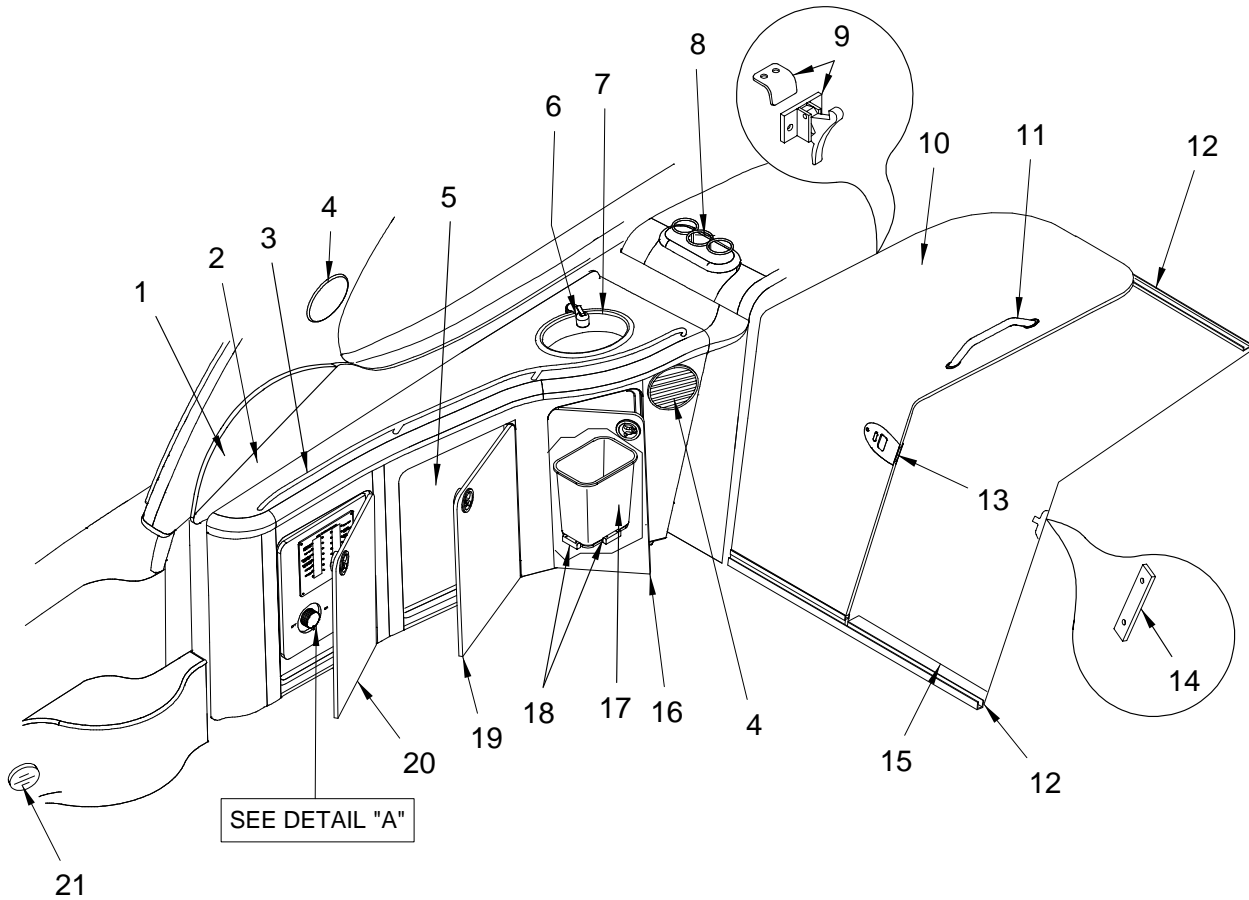


SWITCH PANEL

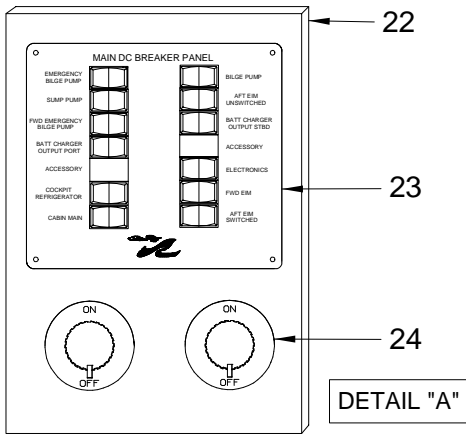
8 179853 LIGHT, INDICATOR GREEN 15V

- 1 1606581 MODULE, ELEC SWPAD SPORT CRUISER PRT CNVX (HULL# 1204 -> UP)
- 1447614 MODULE, ELEC SWPAD SPORT CRUISER PRT (HULL# 1201 -> 1203)
- 2 1457159 ACTUATOR, ROCK BLK W/O LENS ENG STRT/STP CNT4 670521 BODY, ROCK SW 2 CKT PROG
- 3 1457167 ACTUATOR, ROCK BLK W/O LENS ENG STRT CNTRL4 1526698 BODY, ROCK SW DPST MOM W/O BARRIER
- 4 1606573 MODULE, ELEC SWPAD SPORT CRUISER STB CNVX (HULL# 1204 -> UP)
- 1447622 MODULE, ELEC SWPAD SPORT CRUISER STB (HULL# 1201 -> 1203)
- 5 1163054 STEREO, REMOTE CNTRL WHT BZL/WHT FACE (HULL # 1200-1240)
- 1163062 STEREO, REMOTE CNTRL CHR BZL/GRY FACE (OPTIONAL TAN DASH GELCOAT) (HULL # 1200-1240)
- 1598465 STEREO, REMOTE CNTRL W/DIGITAL DISPLAY SS (HULL #1241-UP)
- 1440494 STEREO, AM/FM CD PLAYER W/CHANGER CNTRL
- 6 987693 DEPTH FINDER, BEZEL GRY W/CHR OVERLAY
- 894170 TRANSDUCER, 20DEG THRU-HULL W/ URETHANE FACE
- 742296 DEPTH FINDER, LOWRANCE 3500 GREY W/O BEZEL (HULL # 1200-1287)
- 1669571 DEPTH FINDER, LOWRANCE 3500 GREY W/O BEZEL 02 (HULL # 1288-UP)
- 7 135095 LABEL, NOTICE AUTO HALON SYSTEM (LEXAN)

COCKPIT (PORT VIEW)

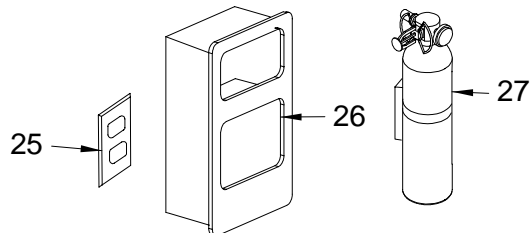


SEE DETAIL "A"



DETAIL "A"

SEE MAIN DC BREAKER PANEL FOR BREAKDOWN



LOCATED INSIDE FORWARD CABINET

COCKPIT (PORT VIEW)

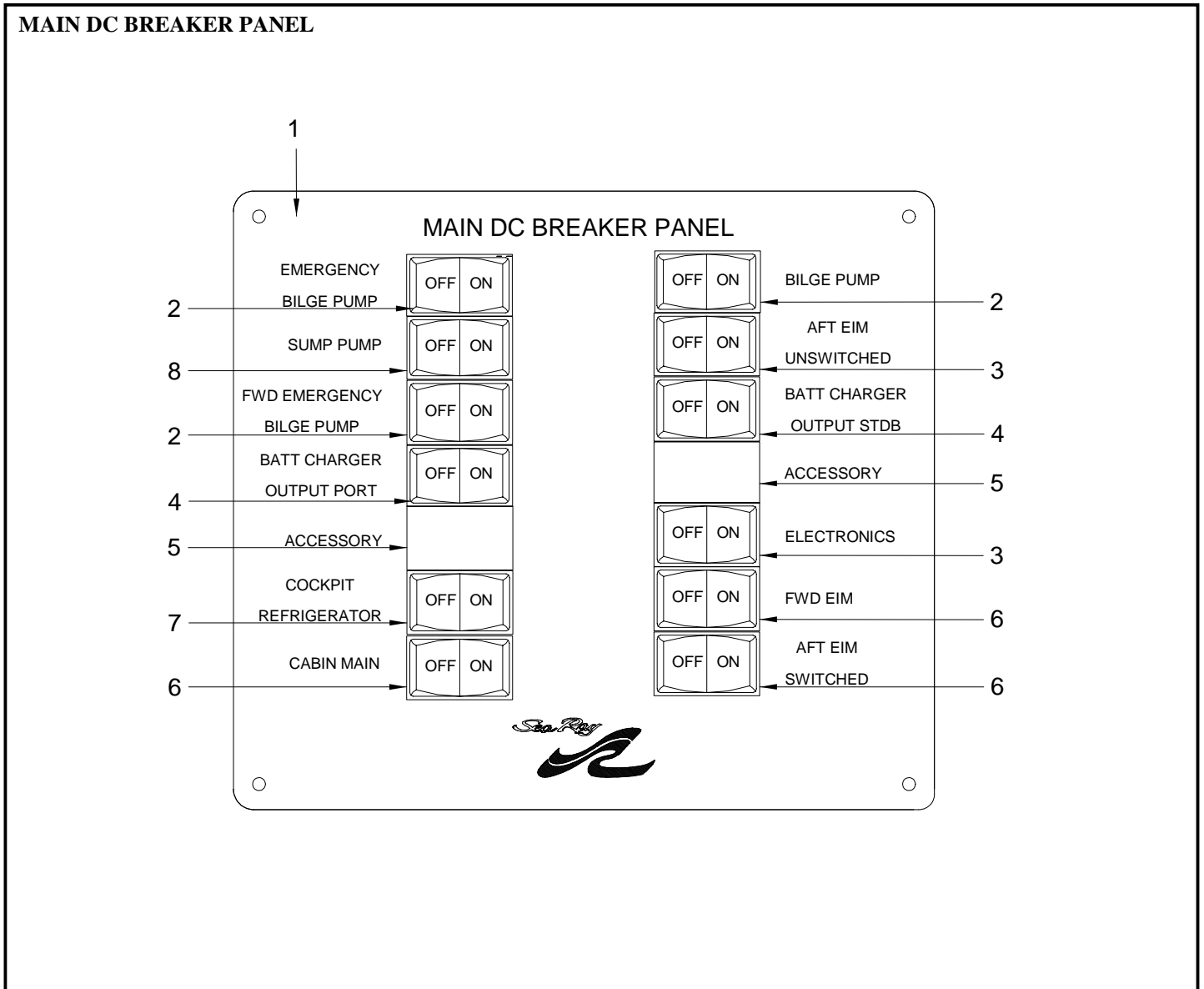
- 1 1605369 PANEL, 300DA-01 SPORT SPOILER PORT SS
- 1605377 PANEL, 300DA-01 SPORT SPOILER STBD SSW
- 2 1590660 PANEL, 300DA-02 CKPT PORT SSW
- 3 1574334 RAIL, 300DA-02 WET BAR
- 4 1440544 SPEAKER, COAXIAL EXT 6.5" CM1622
- 1492024 GRILL, SPEAKER EXT 6.5" WHT CM1622
- 5 1580778 PANEL, LDPVC 300DA-02 CKPT WET BAR ACCESS
- 1587161 REFRIGERATOR, 1.7 CF AC/DC ONLY 110V/220V
(HULL#1361->1494)
- 1684183 REFRIGERATOR, 1.7 CF 12V ONLY
(HULL#1297->1360)
- 788729 REFRIGERATOR, 1.6 CFC FREE
(HULL#1201->1294) (OPTIONAL COCKPIT REFRIGERATOR - 12V)
- 1546274 SHELF, LDPVC 290BR-01 REFRIGERATOR
- 1580661 BOARD, LDPVC 300DA-02 REFRIGERATOR SUPPORT
- 1579846 CARPET, EXT 24 OZ MOCHA #9230 BT
- 6 1408269 SHOWER, SPRAY NOZZLE ANGLE BASE BLK W/WHT HOS
- 7 776138 SINK, V/F OVAL ARW
- 8 1502061 HOLDER, DRINK SS 3-RING 3"
- 9 819888 CATCH, ELBOW CHR 1 1/8"
- 10 1589456 DOOR, 300DA-02 CABIN ENTRY W/MOBELLA LCK ARW
- 1568757 DOOR, 300DA-02 CABIN ENTRY W/MOBELLA LCK ZPHR
(OPTIONAL TAN DASH GELCOAT)
- 11 1601855 HANDLE, SS 300DA-02 CABIN ENTRY
- 12 1601863 TRACK, SS 300DA-02 CABIN ENTRY UPPER
- 1601871 TRACK, SS 300DA-02 CABIN ENTRY LOWER
- 13 1479906 LOCK, CABIN DOOR OVAL SS FLUSH #7482
- 14 826453 SHIM, DOOR STRIKER
- 15 1590454 THRESHOLD, SS 300DA-02 ENTRYWAY
- 16 1577527 DOOR, HDPE 300DA-02 CKPT WET BAR FWD
- 17 431098 BASKET, TRASH 11 3/8"X 8.25"X 12 1/8" BEIGE
- 18 609883 CLEAT, PLAS 3/4"X 1"X 4" GREY
- 19 1577535 DOOR, HDPE 300DA-02 CKPT WET BAR CTR
- 20 1577543 DOOR, HDPE 300DA-02 CKPT WET BAR AFT
- 21 137380 LIGHT, NAV STERN FLUSH MT CKPT
- 1200369 BULB, REPL FOR #0137380/#0783670
- 22 1547678 PANEL, LDPVC 290SS-01 OPT DC BRKR
- 23 1561406 PANEL, 300DA-02 MAIN DC BRKR
- 24 766089 SWITCH, BATTERY ON/OFF W/O LOCK W/O DISC
- 136150 SWITCH, BATTERY ON/OFF DSL W/DISC
(DIESEL OPTION)
- 25 145136 RECEPTACLE, CORR RESISTANT GREY
- 180067 COVER PLATE, WATERPROOF RECEPT W/2 DOORS
- 627737 BOX, RECEPTACLE/SWITCH PVC 1-GANG DEEP
- 26 1580711 CABINET, LDPVC 300DA-02 PORT FWD STRG
- 27 226894 FIRE EXT, 2LBS 5BC RATING

LABEL

- 921767 LABEL, CAUTION BATTERY SWITCH OFF/ALT DAMAGED

NOT SHOWN

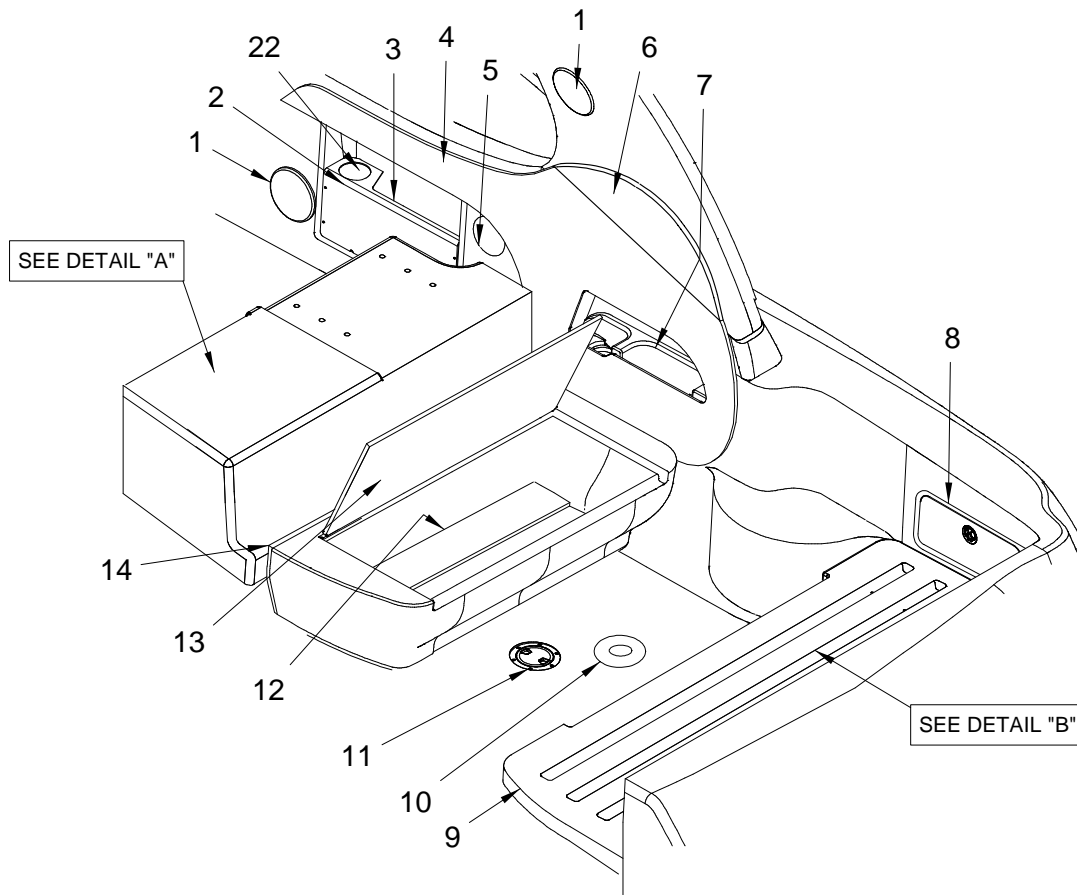
- 1123504 CARPET, EXT 24 OZ DOE SKIN #9294 BT
- 663708 BUMPER, CLEAR .020" THICK
- 1609916 CARPET, EXT 28 OZ DUNE PEBBLE #902 RL 7FT



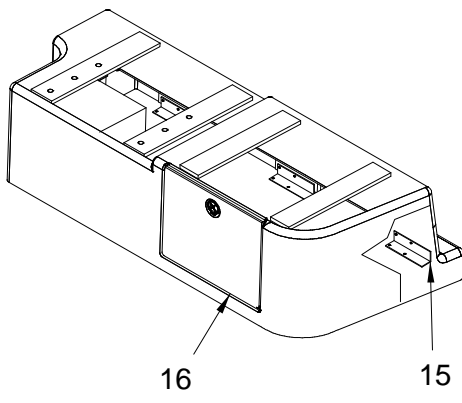
MAIN DC BREAKER PANEL

- 1 1561406 PANEL, 300DA-02 MAIN DC BRKR
- 1561414 PANEL, BLANK:300DA-91 MAIN DC BRKR
- 2 1181742 BRKR/ROCK, SGL-POLE MNL RSET DC IGNPRT 10A YL
- 3 1412006 BRKR/ROCK, SGL-POLE MNL RSET DC IGNPRT 30A YL
- 4 1181767 BRKR/ROCK, SGL-POLE MNL RSET DC IGNPRT 20A YL
- 5 986216 PLUG, REFER TO MRP #0432872
- 6 1181775 BRKR/ROCK, SGL-POLE MNL RSET DC IGNPRT 50A YL
- 7 1181759 BRKR/ROCK, SGL-POLE MNL RSET DC IGNPRT 15A YL
- 8 1181734 BRKR/ROCK, SGL-POLE MNL RSET DC IGNPRT 6A YEL

COCKPIT (STARBOARD VIEW)

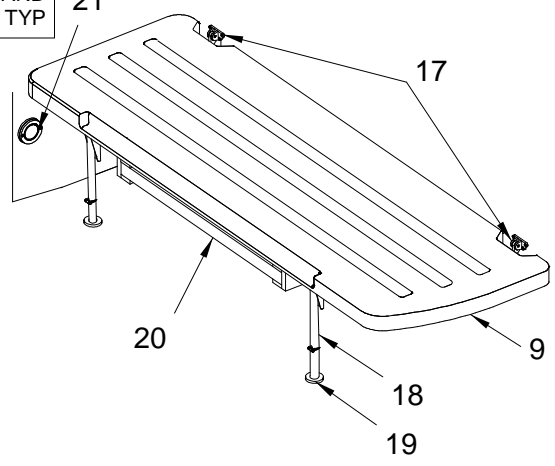


DETAIL "A"



DETAIL "B"

PORT AND STBD TYP



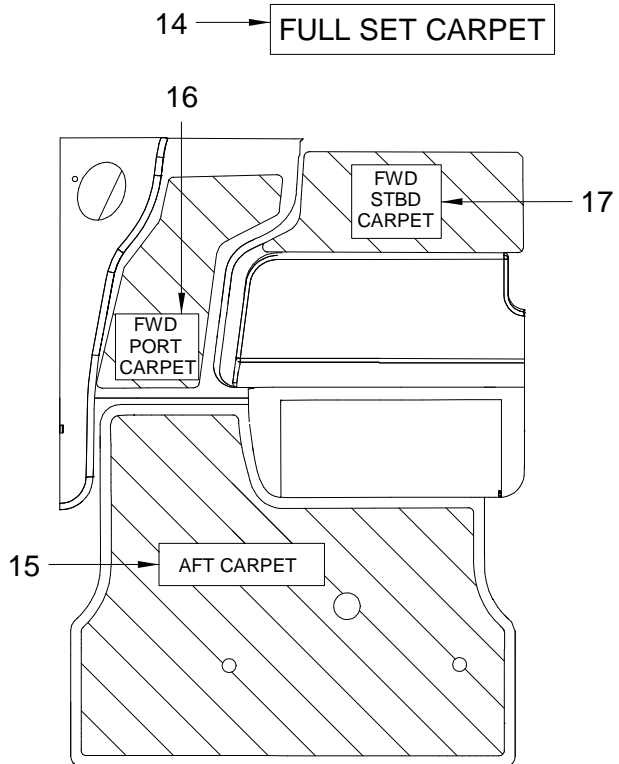
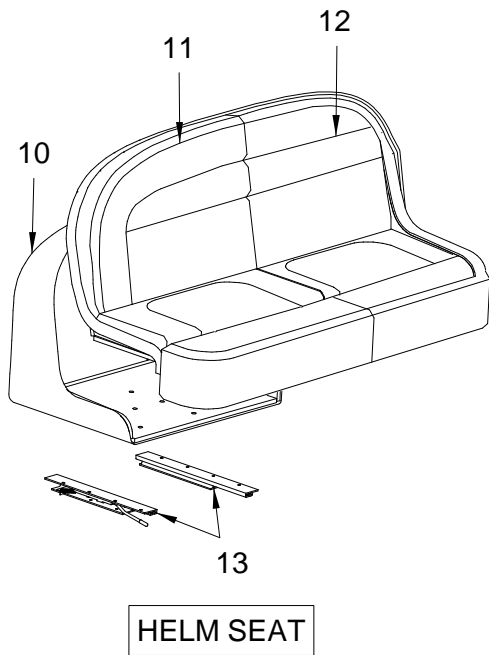
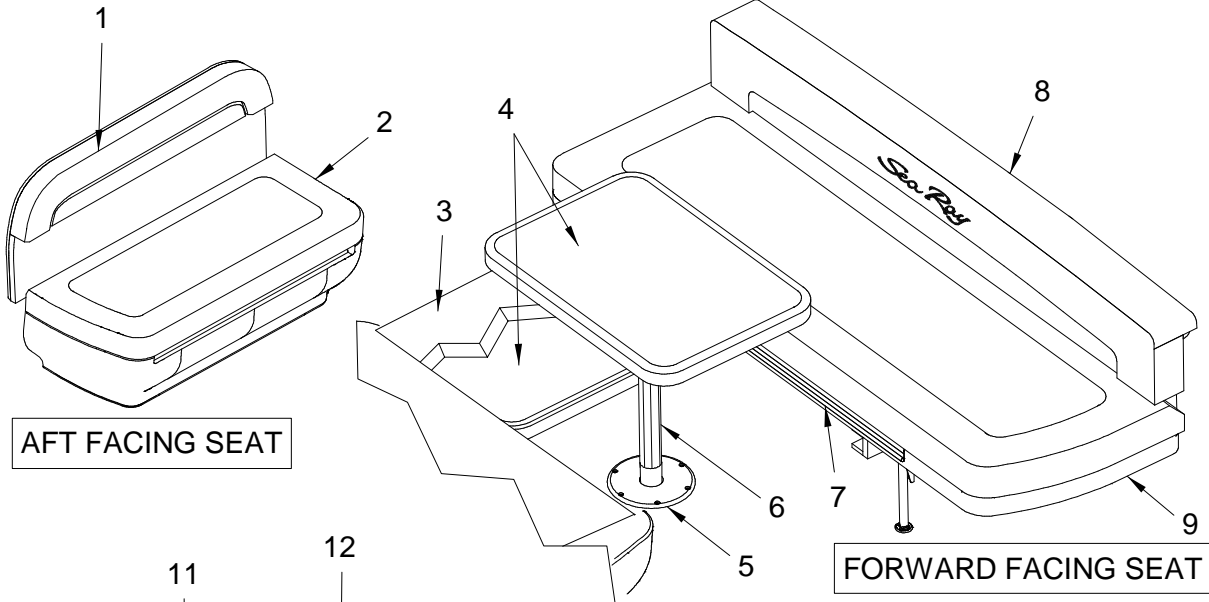
COCKPIT (STARBOARD VIEW)

| | | |
|----|---------|---|
| 1 | 1440544 | SPEAKER, COAXIAL EXT 6.5" CM1622 |
| | 1492024 | GRILL, SPEAKER EXT 6.5" WHT CM1622 |
| 2 | 1034560 | COVER, HDPE 310DA-98 STBD HELM STRG |
| 3 | 739268 | BOX, V/F HELM STRG |
| | 739276 | FACE, DR/ABS HELM STRG W/ACC PLATE |
| 4 | 1590678 | PANEL, 300DA-02 CKPT STBD SSW |
| 5 | 137349 | ACCESS PLATE, PLAS CVR 5" WHT |
| 6 | 1605377 | PANEL, 300DA-01 SPORT SPOILER STBD SSW |
| 7 | 1049121 | BOX, V/F 310DA-98 HELM STRG |
| 8 | 1630797 | BOX, HDPE 300DA-02 9"X 17" STRG DOOR |
| 9 | 1603976 | 300DA 02,FLDWN,CKPT AFT FBRGLS |
| | 198945 | VELCRO, DUAL LOCK CLR 2"X 50YD W/ADH BACK |
| 10 | 876961 | BASE, LEG/POST FLUSH MT ALUM |
| 11 | 137349 | ACCESS PLATE, PLAS CVR 5" WHT |
| 12 | 1580802 | BOTTOM, LDPVC 300DA-02 AFT SEAT FACING |
| 13 | 1580786 | LID, LDPVC 300DA-02 AFT SEAT STRG |
| | 1651983 | HINGE, 300DA-02 AFT FCNG STRG LID 1 1/16"X 35 |
| 14 | 1581347 | SEAT BACK, LDPVC 300DA-02 AFT SEAT FACE |
| 15 | 836106 | BRACKET, PVC 1.5"X 1.5"X 8" 1/4"HOLES |
| 16 | 1577550 | DOOR, HDPE 300DA-02 HELMSEAT |
| | 1480813 | LATCH, FLUSH MOUNT ROUND T-HNDL SS W/PAWL |
| 17 | 140087 | HINGE, LOOSE PIN CHROME |
| 18 | 1048099 | SUPPORT, SWING LEG W/HINGED BASE 1"X 11.25" |
| 19 | 804740 | INSERT, LEG SOCKET BLACK 1" (CUSTOM) |
| 20 | 1580836 | RACK, HDPE 300DA-02 TABLE STRG 2-PIECE |
| 21 | 137380 | LIGHT, NAV STERN FLUSH MT CKPT |
| | 1200369 | BULB, REPL FOR #0137380/#0783670 |
| 22 | 1266063 | DRINKHOLDR, PLAS 4"X 3" MUG SZ WHT |

LABELS

| | |
|---------|---------------------------------|
| 852640 | LABEL, DOOR SECURED UNDERWAY |
| 996199 | LABEL, ABYC MEMBERSHIP |
| 1369743 | LABEL, DANGER CO FUMES W/CANVAS |
| 1547959 | LABEL, WARNING BLOWER |

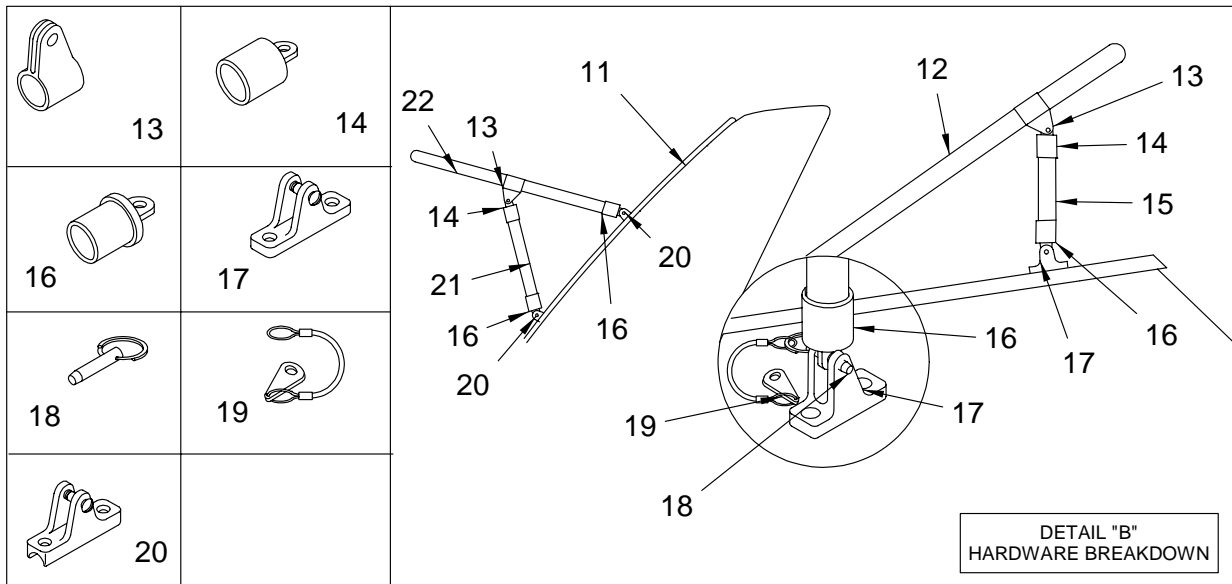
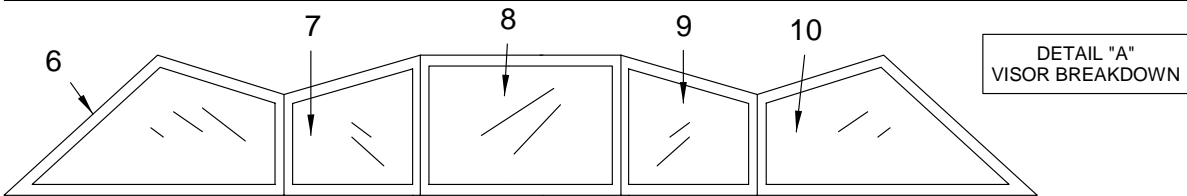
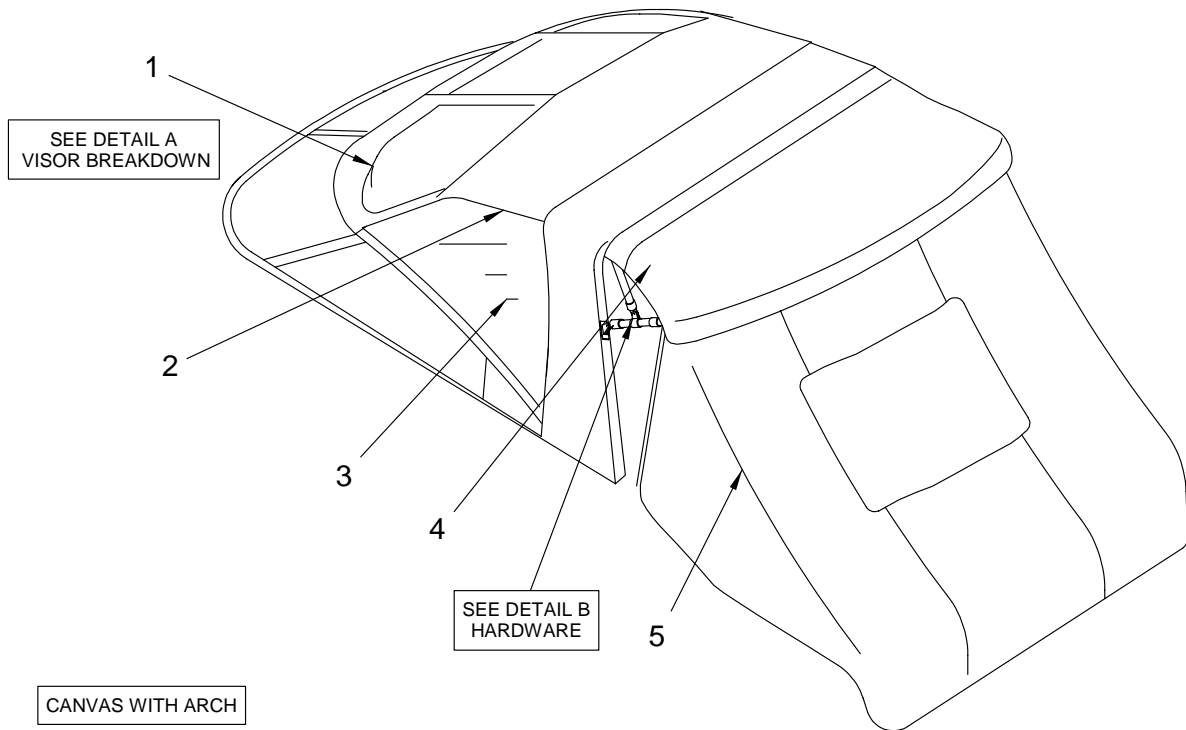
COCKPIT (UPHOLSTERY)



COCKPIT (UPHOLSTERY)

- 1 1591759 BLSTR, 300DA-02 CKPT AFT FCNG SEAT B/R
- 1612985 BLSTR SKN, 300DA-02 CKPT AFT FCNG SEAT B/R
- 2 1591718 CUSH, 300DA-02 CKPT AFT FACING SEAT
- 1612993 CUSH SKIN, 300DA-02 CKPT AFT FACING SEAT
- 3 1591072 CUSH, 300DA-02 SUNPAD FILLER CKPT
- 1613009 CUSH SKIN, 300DA-02 SUNPAD FILLER CKPT
- 4 1604289 300DA 02, TBL, CKPT FBRGLS
- 876979 BASE, LEG/POST SURF MT ALUM
- 5 876961 BASE, LEG/POST FLUSH MT ALUM
- 6 1476779 POST, TABLE LEG 25"X 2.25" ALUM RIB DBL TPR
- 7 1580836 RACK, HDPE 300DA-02 TABLE STRG 2-PIECE
- 8 1591700 BLSTR, 300DA-02 CKPT AFT FOLDAWAY
- 1613017 BLSTR SKIN, 300DA-02 CKPT AFT FOLDAWAY
- 9 1591692 CUSH, 300DA-02 CKPT AFT FOLDAWAY SEAT
- 1613025 CUSH SKIN, 300DA-02 CKPT AFT FOLDAWAY SEAT
- 198945 VELCRO, DUAL LOCK CLR 2"X 50YD W/ADH BACK
- 10 1603984 300DA 02, SHELL STB CKPT HELMSEAT
- 1758565 300DA 02, SHELL PRT CKPT HELMSEAT
- 11 1590652 HELMSEAT, 300DA-02 STBD COMPANION SSW
- 12 1590645 HELMSEAT, 300DA-02 PORT SSW
- 13 1590447 TRACK ASSY, HELMSEAT W/KNOB & CLIP LOPRO
- 14 1603992 300DA 02, CARPET, CKPT CMLPT
- 15 1604008 300DA 02, CARPET, CKPT AFT
- 16 1604016 300DA 02, CARPET, CKPT FWD PRT
- 17 1604024 300DA 02, CARPET, CKPT FWD STB

CANVAS (TOAST)



CANVAS (TOAST)

- 1 1584531 CANVAS, 300DA-02 VSR CURT 3PC CLR/TST
- 1636471 CANVAS, 300DA-02 VSR W/ALUM W/S 3PC CLR/TST
- 2 1654482 CANVAS, 300DA-02 BIM TOP W/ALUM W/S TST
- 1584515 CANVAS, 300DA-02 BIM TOP W/VAL TST
- 1689535 CANVAS, 300DA-02 BIM TOP FAB TST
- 1584499 CANVAS, 300DA-02 BIM TOP BOOT TST
- 3 1584523 CANVAS, 300DA-02 SIDE CURT SET TST
- 1636406 CANVAS, 300DA-02 SIDE CURT/ALUM W/S TST
- 1689541 CANVAS, 300DA-02 SIDE CURT SET W/ARCH TST
- 4 1584507 CANVAS, 300DA-02 SNSHD TOP TST
- 1689555 CANVAS, 300DA-02 SNSHD TOP FAB TST
- 1689558 CANVAS, 300DA-02 SNSHD VAL TST
- 5 1584549 CANVAS, 300DA-02 SNSHD AFT CURT TST
- 6 1604461 CANVAS, 300DA-02 BIM SIDE CURT PORT TST
- 1689548 CANVAS, 300DA-02 SIDE CURT/ALUM W/S PORT TST
- 1689538 CANVAS, 300DA-02 SIDE CURT PORT W/ARCH TST
- 7 1604529 CANVAS, 300DA-02 BIM VSR PORT CLR/TST
- 1689564 CANVAS, 300DA-02 VSR CURT W/ARCH PRT CLR/TST
- 1689575 CANVAS, 300DA-02 VSR W/ALUM W/S PRT CLR/TST
- 8 1604552 CANVAS, 300DA-02 BIM VSR CTR CLR/TST
- 1689561 CANVAS, 300DA-02 VSR CURT W/ARCH CTR CLR/TST
- 1689571 CANVAS, 300DA-02 VSR W/ALUM W/S CTR CLR/TST
- 9 1604586 CANVAS, 300DA-02 BIM VSR STBD CLR/TST
- 1689567 CANVAS, 300DA-02 VSR CURT W/ARCH STB CLR/TST
- 1689579 CANVAS, 300DA-02 VSR W/ALUM W/S STB CLR/TST
- 10 1604610 CANVAS, 300DA-02 BIM SIDE CURT STBD TST
- 1636406 CANVAS, 300DA-02 SIDE CURT/ALUM W/S TST
- 1689552 CANVAS, 300DA-02 SIDE CURT/ALUM W/S STBD TST
- 1689544 CANVAS, 300DA-02 SIDE CURT STBD W/ARCH TST

CANVAS HARDWARE

- 11 728014 TRACK, VINYL AWNING WHITE "FLEX-A-RAIL" 7.5'
- 12 1604669 CANVAS, 300DA-02 SPT SNSHD BOW2 W/HDWR
- 13 439307 SLIDE, JAW SLIDE 7/8"
- 14 221085 CAP, SS EYE END 7/8"
- 15 1604677 CANVAS, 300DA-02 SPT SNSHD MAIN BOW W/HDWR
- 16 1359579 CAP, SS EYE END 7/8" INSIDE
- 17 174995 HINGE, DECK FLAT 1" CONV TOP SS
- 18 1357854 PIN, PULL 1.25" TOGGLE W/RING LNYRD SPRING SS
- 19 464115 LANYARD, 6" W/TAB
- 20 174953 HINGE, DECK CONCAVE 1" SS CONV TOP
- 21 1604651 CANVAS, 300DA-02 BIM TOP MAIN BOW W/HDWR
- 22 1604644 CANVAS, 300DA-02 BIM TOP BOW2 W/HDWR

CAMPER CANVAS PACKAGE OPTION

- 1591205 CANVAS, 300DA-02 CAMP CMLPT TST
- 1591239 CANVAS, 300DA-02 CAMP TOP BOOT TST
- 1591296 CANVAS, 300DA-02 CPC W/CAMP TST

COCKPIT COVER

- 1591262 CANVAS, 300DA-02 CPC TST
- 1636588 CANVAS, 300DA-02 CPC W/ALUM W/S TST
- 1636588 CANVAS, 300DA-02 CPC W/ALUM W/S TST
- 1636653 CANVAS, 300DA-02 CPC W/CAMP W/ALUM W/S TST

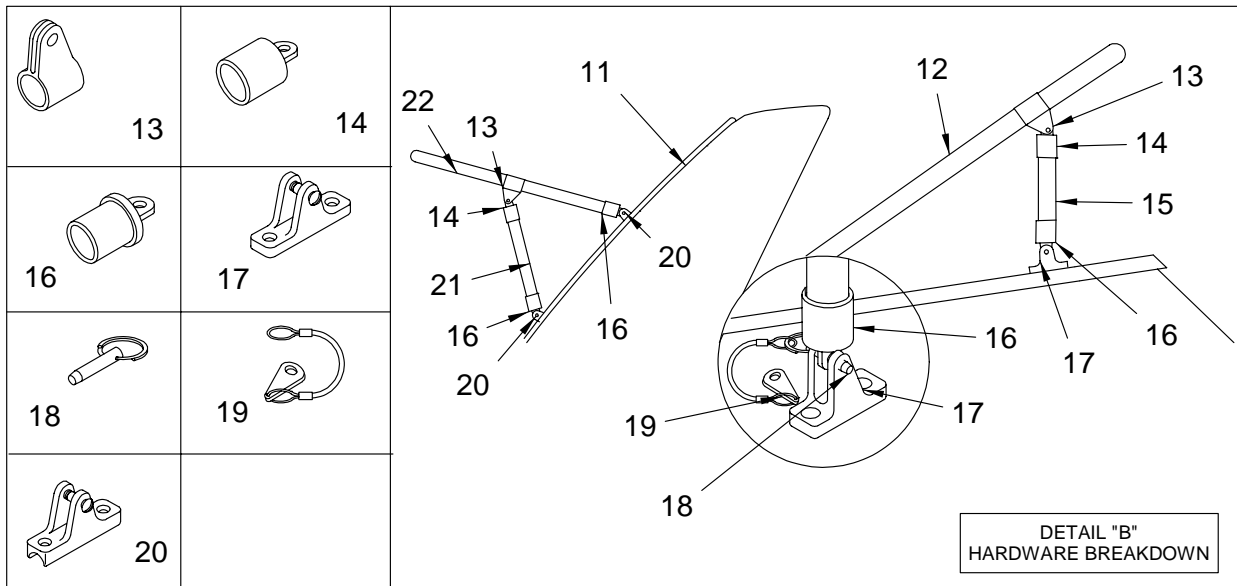
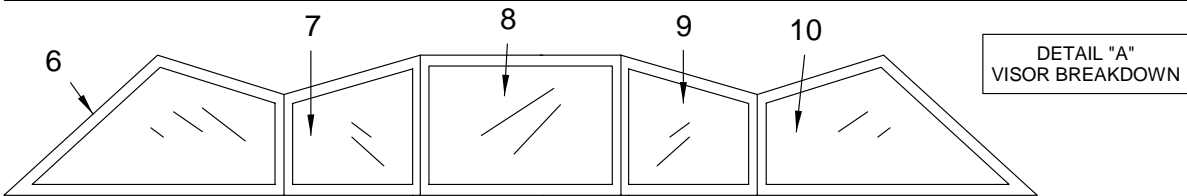
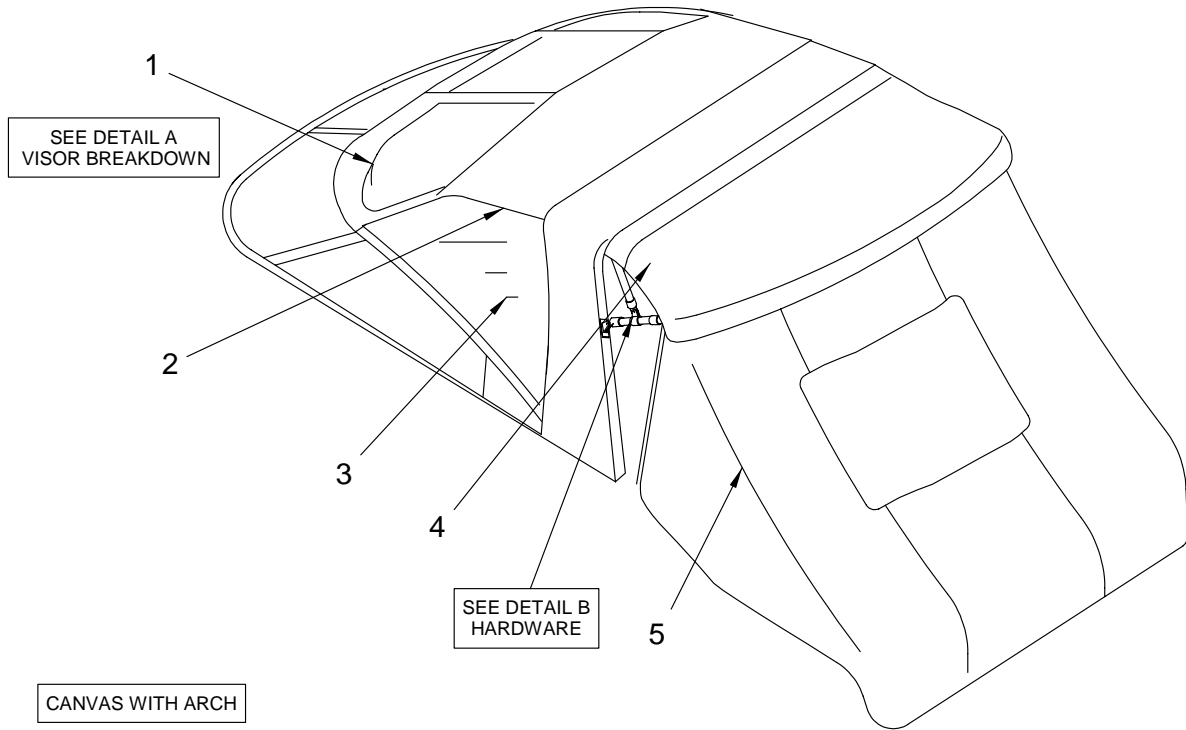
CARPET RUNNER

- 1590769 CANVAS, 300DA-02 CARPET RUNNER SET TST
- 1599000 CANVAS, 300DA(B)-02 CARPET RUNNER SET TST

NOT SHOWN

- 788547 CANVAS, STRG BAG 10X60 LRG GREY 95

CANVAS (BLUE)



CANVAS (BLUE)

- 1 1591189 CANVAS, 300DA-02 VSR CURT 3PC CLR/MEDB
- 1636505 CANVAS, 300DA-02 VSR W/ALUM W/S 3PC CLR/MEDB
- 2 1654490 CANVAS, 300DA-02 BIM TOP W/ALUM W/S MEDB
- 1689534 CANVAS, 300DA-02 BIM TOP FAB MEDB
- 1591106 CANVAS, 300DA-02 BIM TOP W/VAL MEDB
- 1591080 CANVAS, 300DA-02 BIM TOP BOOT MEDB
- 3 1591122 CANVAS, 300DA-02 SIDE CURT SET MEDB
- 1636430 CANVAS, 300DA-02 SIDE CURT/ALUM W/S MEDB
- 1689540 CANVAS, 300DA-02 SIDE CURT SET W/ARCH MEDB
- 4 1591163 CANVAS, 300DA-02 SNSHD TOP MEDB
- 1689554 CANVAS, 300DA-02 SNSHD TOP FAB MEDB
- 1689557 CANVAS, 300DA-02 SNSHD VAL MEDB
- 5 1591148 CANVAS, 300DA-02 SNSHD AFT CURT MEDB
- 6 1604479 CANVAS, 300DA-02 BIM SIDE CURT PORT MEDB
- 1689537 CANVAS, 300DA-02 SIDE CURT PORT W/ARCH MEDB
- 1689547 CANVAS, 300DA-02 SIDE CURT/ALUM W/S PORT MEDB
- 7 1604537 CANVAS, 300DA-02 BIM VSR PORT CLR/MEDB
- 1689563 CANVAS, 300DA-02 VSR CURT W/ARCH PRT CLR/MEDB
- 1689574 CANVAS, 300DA-02 VSR W/ALUM W/S PRT CLR/MEDB
- 8 1604560 CANVAS, 300DA-02 BIM VSR CTR CLR/MEDB
- 1689560 CANVAS, 300DA-02 VSR CURT W/ARCH CTR CLR/MEDB
- 1689570 CANVAS, 300DA-02 VSR W/ALUM W/S CTR CLR/MEDB
- 9 1604594 CANVAS, 300DA-02 BIM VSR STBD CLR/MEDB
- 1689566 CANVAS, 300DA-02 VSR CURT W/ARCH STB CLR/MEDB
- 1689578 CANVAS, 300DA-02 VSR W/ALUM W/S STB CLR/MEDB
- 10 1604628 CANVAS, 300DA-02 BIM SIDE CURT STBD MEDB
- 1689543 CANVAS, 300DA-02 SIDE CURT STBD W/ARCH MEDB
- 1689551 CANVAS, 300DA-02 SIDE CURT/ALUM W/S STBD MEDB

CANVAS HARDWARE

- 11 728014 TRACK, VINYL AWNING WHITE "FLEX-A-RAIL" 7.5'
- 12 1604669 CANVAS, 300DA-02 SPT SNSHD BOW2 W/HDWR
- 13 439307 SLIDE, JAW SLIDE 7/8"
- 14 221085 CAP, SS EYE END 7/8"
- 15 1604677 CANVAS, 300DA-02 SPT SNSHD MAIN BOW W/HDWR
- 16 1359579 CAP, SS EYE END 7/8" INSIDE
- 17 174995 HINGE, DECK FLAT 1" CONV TOP SS
- 18 1357854 PIN, PULL 1.25" TOGGLE W/RING LNYRD SPRING SS
- 19 464115 LANYARD, 6" W/TAB
- 20 174953 HINGE, DECK CONCAVE 1" SS CONV TOP
- 21 1604651 CANVAS, 300DA-02 BIM TOP MAIN BOW W/HDWR
- 22 1604644 CANVAS, 300DA-02 BIM TOP BOW2 W/HDWR

CAMPER CANVAS PACKAGE OPTION

- 1591213 CANVAS, 300DA-02 CAMP CMPLT MEDB
- 1591247 CANVAS, 300DA-02 CAMP TOP BOOT MEDB
- 1591304 CANVAS, 300DA-02 CPC W/CAMP MEDB

COCKPIT COVER

- 1591270 CANVAS, 300DA-02 CPC MEDB
- 1636604 CANVAS, 300DA-02 CPC W/ALUM W/S MEDB
- 1636679 CANVAS, 300DA-02 CPC W/CAMP W/ALUM W/S MEDB

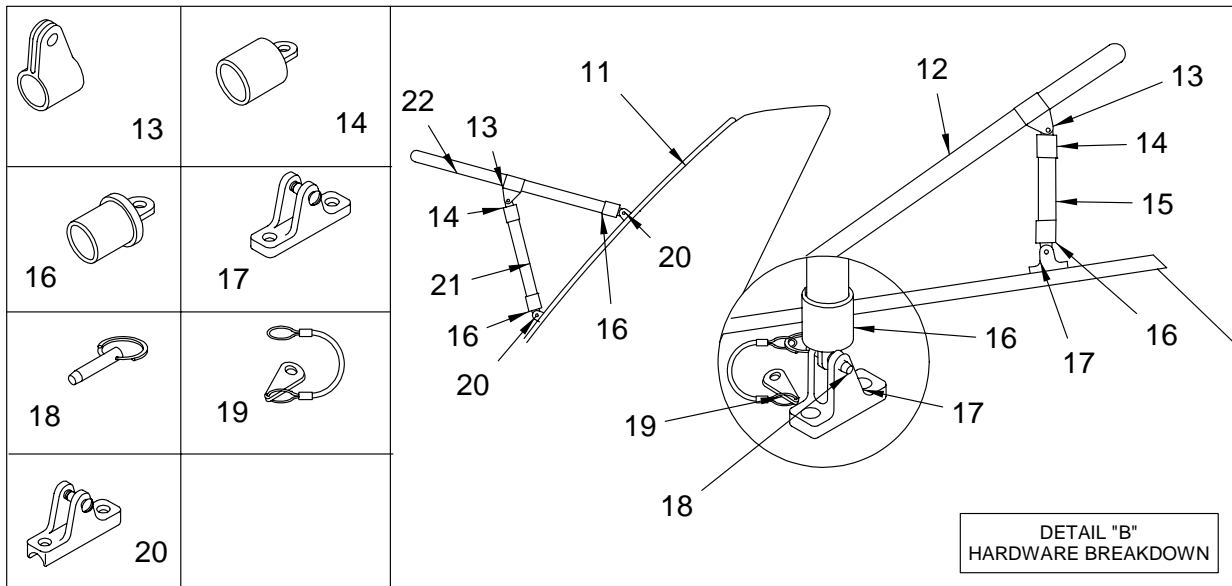
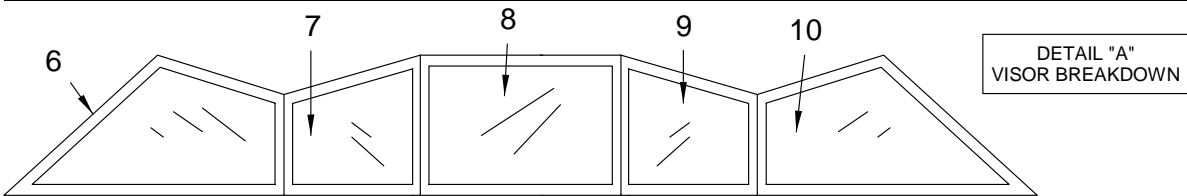
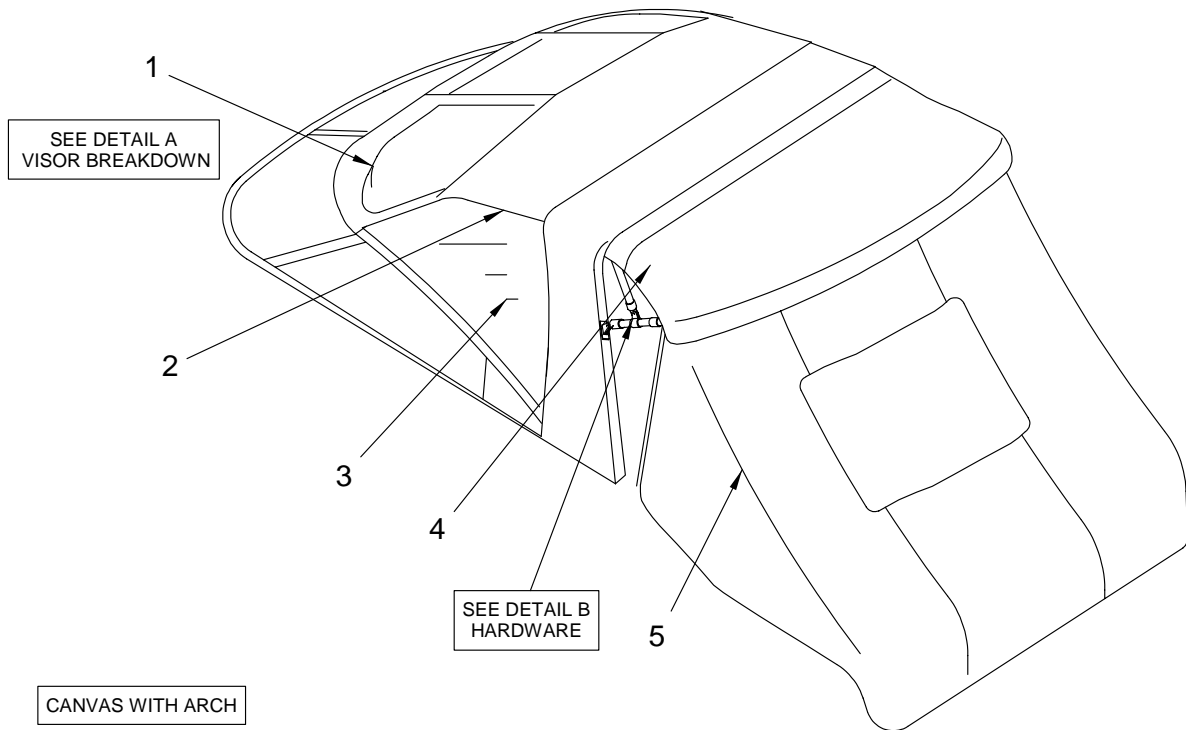
CARPET RUNNER

- 1590769 CANVAS, 300DA-02 CARPET RUNNER SET TST
- 1599000 CANVAS, 300DA(B)-02 CARPET RUNNER SET TST

NOT SHOWN

- 788547 CANVAS, STRG BAG 10X60 LRG GREY 95

CANVAS (GREEN)



CANVAS (GREEN)

- 1 1591197 CANVAS, 300DA-02 VSR CURT 3PC CLR/HNTR
- 2 1591114 CANVAS, 300DA-02 BIM TOP W/VAL HNTR
- 1689533 CANVAS, 300DA-02 BIM TOP FAB HNTR
- 1591098 CANVAS, 300DA-02 BIM TOP BOOT HNTR
- 3 1591130 CANVAS, 300DA-02 SIDE CURT SET HNTR STAINLESS
- 1636455 CANVAS, 300DA-02 SIDE CURT/ALUM W/S HNTR
- 1689539 CANVAS, 300DA-02 SIDE CURT SET W/ARCH HNTR
- 4 1591171 CANVAS, 300DA-02 SNSHD TOP HNTR
- 1689553 CANVAS, 300DA-02 SNSHD TOP FAB HNTR
- 1689556 CANVAS, 300DA-02 SNSHD VAL HNTR
- 5 1591155 CANVAS, 300DA-02 SNSHD AFT CURT HNTR
- 6 1604495 CANVAS, 300DA-02 BIM SIDE CURT PORT HNTR
- 1689536 CANVAS, 300DA-02 SIDE CURT PORT W/ARCH HNTR
- 1689546 CANVAS, 300DA-02 SIDE CURT/ALUM W/S PORT HNTR
- 7 1604545 CANVAS, 300DA-02 BIM VSR PORT CLR/HNTR
- 1689562 CANVAS, 300DA-02 VSR CURT W/ARCH PRT CLR/HNTR
- 1689573 CANVAS, 300DA-02 VSR W/ALUM W/S PRT CLR/HNTR
- 8 1604578 CANVAS, 300DA-02 BIM VSR CTR CLR/HNTR
- 1689559 CANVAS, 300DA-02 VSR CURT W/ARCH CTR CLR/HNTR
- 1689569 CANVAS, 300DA-02 VSR W/ALUM W/S CTR CLR/HNTR
- 9 1604602 CANVAS, 300DA-02 BIM VSR STBD CLR/HNTR
- 1689565 CANVAS, 300DA-02 VSR CURT W/ARCH STB CLR/HNTR
- 1689577 CANVAS, 300DA-02 VSR W/ALUM W/S STB CLR/HNTR
- 10 1604636 CANVAS, 300DA-02 BIM SIDE CURT STBD HNTR
- 1636455 CANVAS, 300DA-02 SIDE CURT/ALUM W/S HNTR
- 1689542 CANVAS, 300DA-02 SIDE CURT STBD W/ARCH HNTR
- 1689550 CANVAS, 300DA-02 SIDE CURT/ALUM W/S STBD HNTR

CANVAS HARDWARE

- 11 728014 TRACK, VINYL AWNING WHITE "FLEX-A-RAIL" 7.5'
- 12 1604669 CANVAS, 300DA-02 SPT SNSHD BOW2 W/HDWR
- 13 439307 SLIDE, JAW SLIDE 7/8"
- 14 221085 CAP, SS EYE END 7/8"
- 15 1604677 CANVAS, 300DA-02 SPT SNSHD MAIN BOW W/HDWR
- 16 1359579 CAP, SS EYE END 7/8" INSIDE
- 17 174995 HINGE, DECK FLAT 1" CONV TOP SS
- 18 1357854 PIN, PULL 1.25" TOGGLE W/RING LNYRD SPRING SS
- 19 464115 LANYARD, 6" W/TAB
- 20 174953 HINGE, DECK CONCAVE 1" SS CONV TOP
- 21 1604651 CANVAS, 300DA-02 BIM TOP MAIN BOW W/HDWR

CAMPER CANVAS PACKAGE OPTION

- 1591221 CANVAS, 300DA-02 CAMP CMLPT HNTR
- 1591254 CANVAS, 300DA-02 CAMP TOP BOOT HNTR
- 1591312 CANVAS, 300DA-02 CPC W/CAMP HNTR

COCKPIT COVER

- 1591288 CANVAS, 300DA-02 CPC HNTR
- 1636638 CANVAS, 300DA-02 CPC W/ALUM W/S HNTR
- 1636703 CANVAS, 300DA-02 CPC W/CAMP W/ALUM W/S HNTR

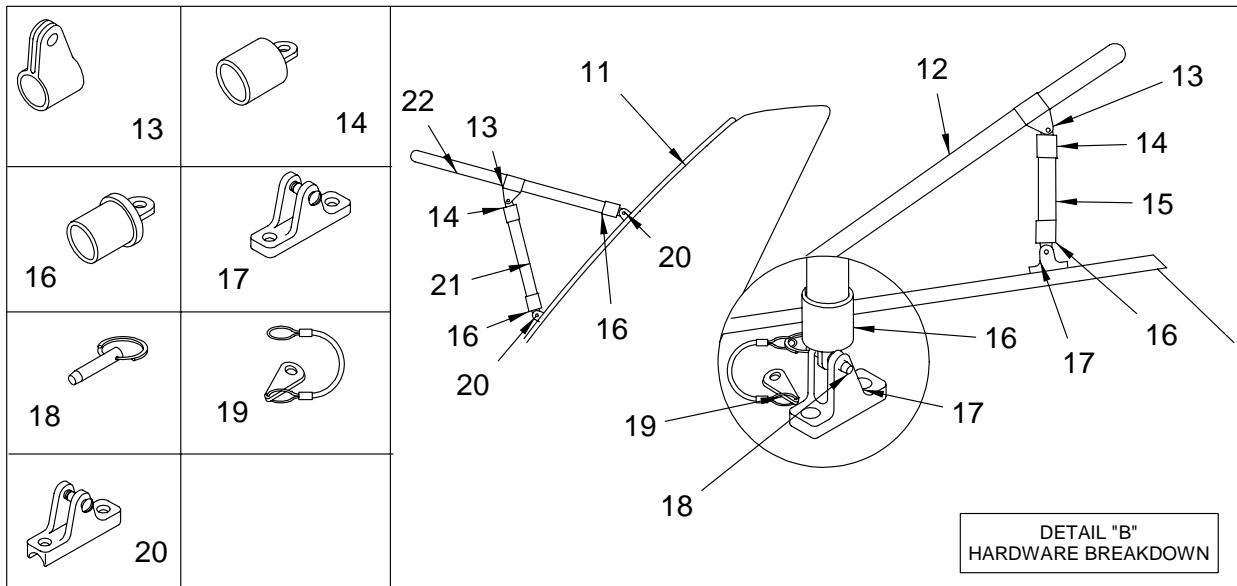
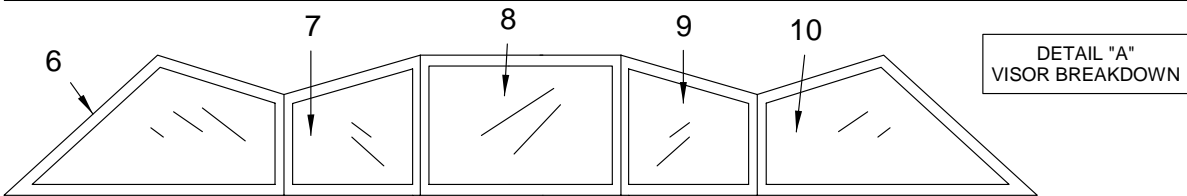
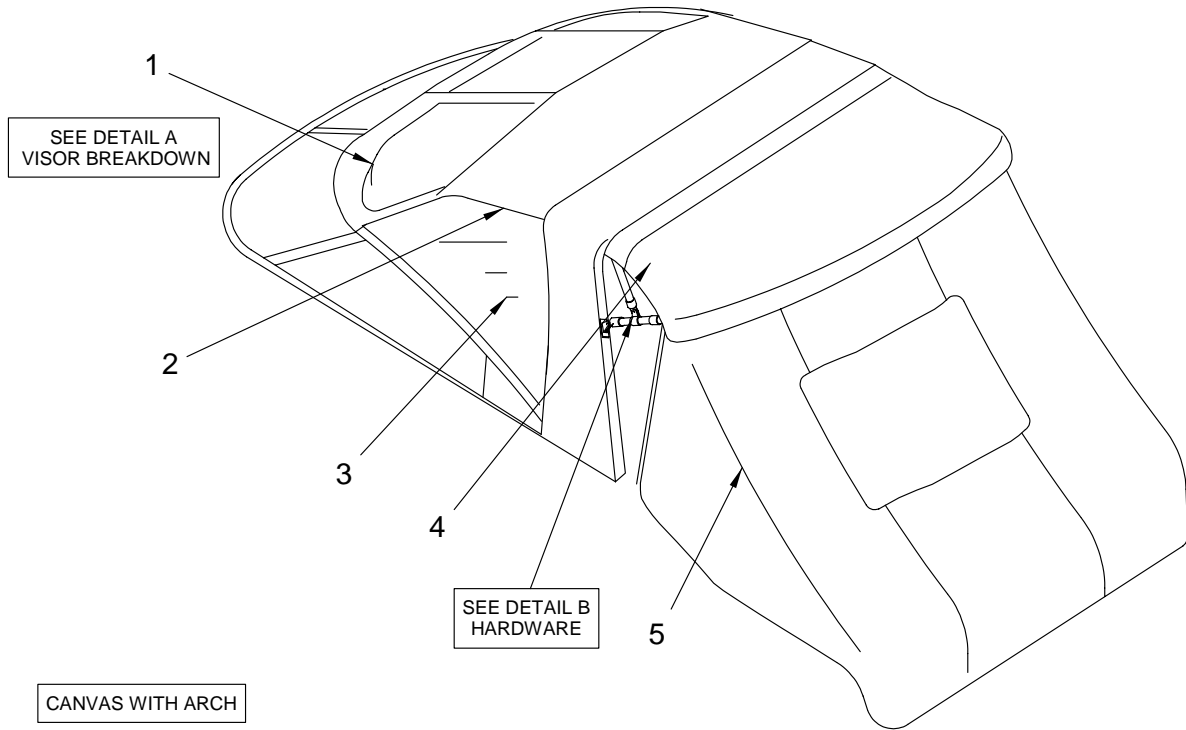
CARPET RUNNER

- 1590769 CANVAS, 300DA-02 CARPET RUNNER SET TST
- 1599000 CANVAS, 300DA(B)-02 CARPET RUNNER SET TST

NOT SHOWN

- 788547 CANVAS, STRG BAG 10X60 LRG GREY 95

CANVAS (BLACK)



CANVAS (BLACK)

- 1 1655190 CANVAS, 300DA-02 VSR CURT W/ARCH 3PC CLR/BLK
- 1660976 CANVAS, 300DA-02 VSR W/ALUM W/S 3PC CLR/BLK
- 2 1654979 CANVAS, 300DA-02 BIM TOP W/VAL BLK
- 1654987 CANVAS, 300DA-02 BIM TOP FAB BLK
- 1654995 CANVAS, 300DA-02 BIM TOP BOOT BLK
- 1662527 CANVAS, 300DA-02 BIM TOP W/ALUM W/S BLK
- 3 1660968 CANVAS, 300DA-02 SIDE CURT SET BLK
- 1655166 CANVAS, 300DA-02 SIDE CURT SET BLK STAINLESS
- 1655125 CANVAS, 300DA-02 SIDE CURT/ALUM W/S BLK
- 4 1655000 CANVAS, 300DA-02 SNSHD TOP BLK
- 1655018 CANVAS, 300DA-02 SNSHD TOP FAB BLK
- 1655026 CANVAS, 300DA-02 SNSHD VAL BLK
- 5 1655034 CANVAS, 300DA-02 SNSHD AFT CURT BLK
- 6 1655174 CANVAS, 300DA-02 SIDE CURT PORT W/ARCH BLK
- 1689545 CANVAS, 300DA-02 SIDE CURT/ALUM W/S PORT BLK
- 7 1655208 CANVAS, 300DA-02 VSR CURT W/ARCH PRT CLR/BLK
- 1689572 CANVAS, 300DA-02 VSR W/ALUM W/S PRT CLR/BLK
- 8 1655216 CANVAS, 300DA-02 VSR CURT W/ARCH STB CLR/BLK
- 1689568 CANVAS, 300DA-02 VSR W/ALUM W/S CTR CLR/BLK
- 9 1655224 CANVAS, 300DA-02 VSR CURT W/ARCH CTR CLR/BLK
- 1689576 CANVAS, 300DA-02 VSR W/ALUM W/S STB CLR/BLK
- 10 1655182 CANVAS, 300DA-02 SIDE CURT STBD W/ARCH BLK
- 1689549 CANVAS, 300DA-02 SIDE CURT/ALUM W/S STBD BLK

CANVAS HARDWARE

- 11 728014 TRACK, VINYL AWNING WHITE "FLEX-A-RAIL" 7.5'
- 12 1604669 CANVAS, 300DA-02 SPT SNSHD BOW2 W/HDWR
- 13 439307 SLIDE, JAW SLIDE 7/8"
- 14 221085 CAP, SS EYE END 7/8"
- 15 1604677 CANVAS, 300DA-02 SPT SNSHD MAIN BOW W/HDWR
- 16 1359579 CAP, SS EYE END 7/8" INSIDE
- 17 174995 HINGE, DECK FLAT 1" CONV TOP SS
- 18 1357854 PIN, PULL 1.25" TOGGLE W/RING LNYRD SPRING SS
- 19 464115 LANYARD, 6" W/TAB
- 20 174953 HINGE, DECK CONCAVE 1" SS CONV TOP
- 21 1604651 CANVAS, 300DA-02 BIM TOP MAIN BOW W/HDWR
- 22 1604644 CANVAS, 300DA-02 BIM TOP BOW2 W/HDWR

CAMPER CANVAS PACKAGE OPTION

- 1655042 CANVAS, 300DA-02 CAMP CMLPT BLK
- 1655059 CANVAS, 300DA-02 CAMP CMLPT FAB BLK
- 1655067 CANVAS, 300DA-02 CAMP TOP BLK
- 1655075 CANVAS, 300DA-02 CAMP TOP FAB BLK
- 1655083 CANVAS, 300DA-02 CAMP TOP BOOT BLK
- 1655091 CANVAS, 300DA-02 CAMP SIDE CURT SET BLK
- 1655109 CANVAS, 300DA-02 CAMP SIDE CURT PORT BLK
- 1655117 CANVAS, 300DA-02 CAMP SIDE CURT STB BLK

COCKPIT COVER

- 1655158 CANVAS, 300DA-02 CRS REAR SLEEP BLK
- 1655232 CANVAS, 300DA-02 CPC W/CAMP W/ARCH BLK
- 1655240 CANVAS, 300DA-02 CPC BLK
- 1660984 CANVAS, 300DA-02 CPC W/ALUM W/S BLK
- 1660992 CANVAS, 300DA-02 CPC W/CAMP W/ALUM W/S BLK

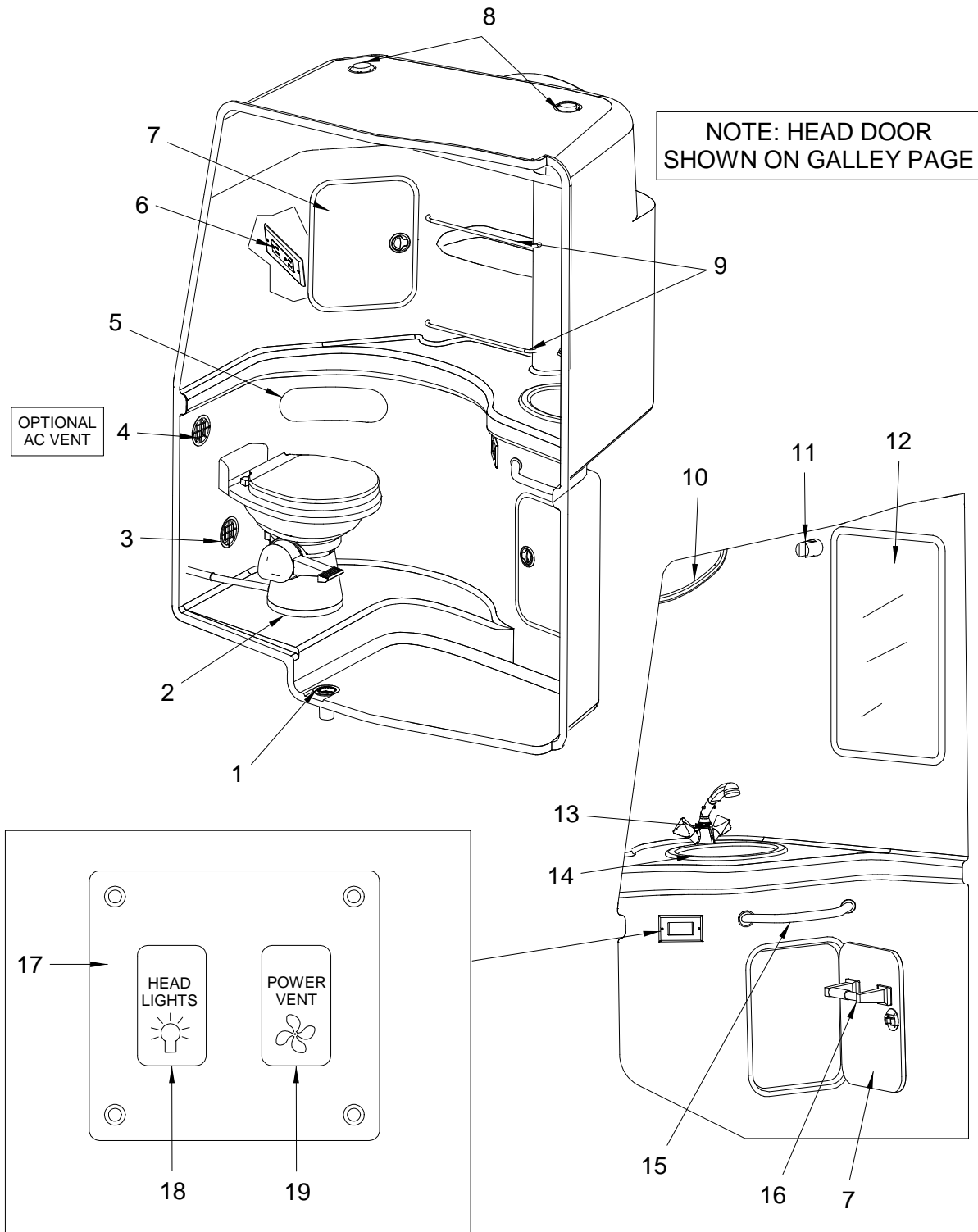
CARPET RUNNER

- 1590769 CANVAS, 300DA-02 CARPET RUNNER SET TST
- 1599000 CANVAS, 300DA(B)-02 CARPET RUNNER SET TST

NOT SHOWN

- 788547 CANVAS, STRG BAG 10X60 LRG GREY 95

PORT HEAD



PORT HEAD

| | | |
|----|---------|---|
| 1 | 196782 | DRAIN ASSY, SHOWER 1.5" |
| | 344762 | DRAIN ASSY, SHOWER SLIP NUT 1.5" |
| | 344721 | DRAIN ASSY, GASKET SHOWER SLIP NUT 1.5" |
| 2 | 1555465 | HEAD, VACU-FLUSH BONE 1006 BTM DIS LOW PRFLE |
| 3 | 1052059 | VENT, LOUVERED 3 5/8"X 3 5/8" BLK |
| 4 | 1322940 | A/C COMP, GRILL 3" BLK W/DBL LVR (OPTIONAL AIR CONDITIONING / HEATING) |
| 5 | 1595966 | PLATE, HDPE 1/4" 300DA-02 HEAD ACCESS |
| 6 | 258368 | RECEPTACLE, GFI DUPLEX WHT 15A |
| | 627737 | BOX, RECEPTACLE/SWITCH PVC 1-GANG DEEP |
| 7 | 972869 | DOOR, STRG W/11.5"X 14 7/8" ANW FRAME |
| | 1411453 | LATCH, FLUSH MOUNT PULL SS |
| | 663708 | BUMPER, CLEAR .020" THICK |
| | 776567 | CATCH, ROUND PLAS 13/16" "DUAL LOCK" (3M) |
| 8 | 784975 | LIGHT, RECESSED W/CLEAR LENS BRS 10W HALOGEN |
| | 833269 | BULB, REPL FOR #0784975/0830307 12V/10W HALOG |
| 9 | 1579713 | RAIL, 300DA-02 HEAD KEEPER |
| 10 | 1454008 | PORTLIGHT, OPENING ALL SS 3/8"-7/8" FROS REV1 |
| | 1057991 | TRIM RING, V/F PORTLIGHT INNER CUSTOM 98 |
| 11 | 914911 | SHOWER, WALL MNT ONLY |
| 12 | 1648427 | 300DA 02,MIR ASSY,PORT HEAD |
| | 845024 | HINGE, SS CONT 2"X 10" W/3/16"PIN |
| | 776567 | CATCH, ROUND PLAS 13/16" "DUAL LOCK" (3M) |
| 13 | 1253095 | FAUCET/SHOWER, WHT/MIX W/ON/OFF FLX TAIL |
| 14 | 850784 | SINK, V/F OVAL ANW |
| | 146175 | DRAIN ASSY, 1.25" DRAIN W/PLUG PLASTIC |
| 15 | 777243 | RAIL, GRAB 12" STREAMLINE W/FLANGES 95 (304) |
| 16 | 1155241 | HOLDER, TOILET PAPER WALL MNT WHT ROLLER |
| 17 | 1581917 | PANEL, HEAD LIGHT/PWR VENT SW |
| 18 | 797761 | BODY, ROCK SW SPST BLK 12V INCAND NON-LIT |
| | 1541655 | ACTUATOR, ROCK SWITCH-LIGHTS BLK |
| 19 | 1609312 | BODY, ROCK SW SPDT BLK 12V INCAND NON-LIT |
| | 1647577 | ACTUATOR, ROCK SWITCH-POWER VENT BLK |

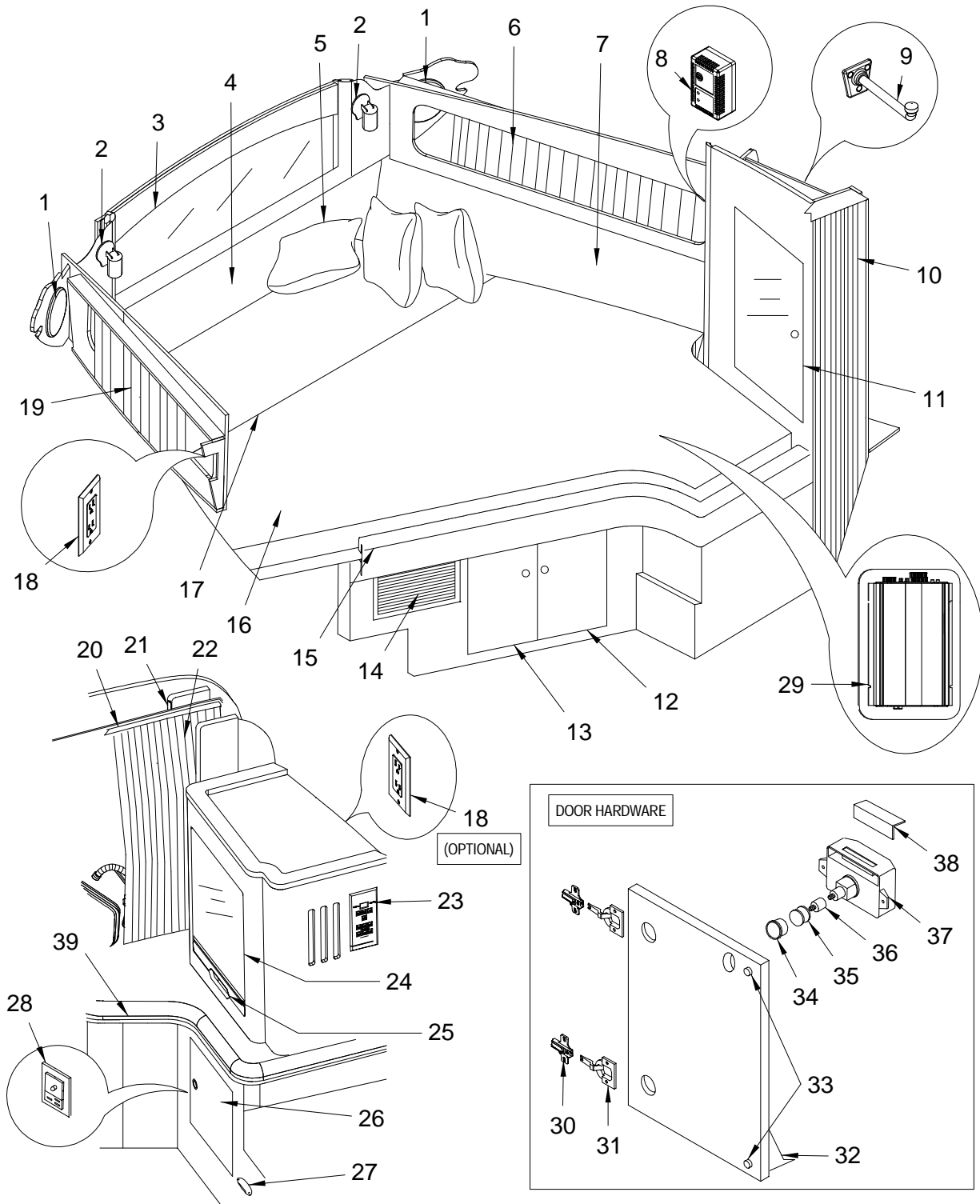
LABELS

| | | |
|--|--------|---|
| | 324756 | LABEL, RECEPTACLE 12V-15A MAX (LEXAN) |
| | 852566 | LABEL, LEAVING WINDOW OPEN EXHAUST FUMES |
| | 852582 | LABEL, UNPLUG SHORE POWER WARNING |
| | 921767 | LABEL, CAUTION BATTERY SWITCH OFF/ALT DAMAGED |

NOT SHOWN

| | | |
|--|---------|--|
| | 132183 | TRACK, ALUM CURT TRK 0.275"X 0.688" TAB TYPE |
| | 132324 | HINGE, BUTT CHROME/ZINC 2" |
| | 137349 | ACCESS PLATE, PLAS CVR 5" WHT |
| | 154369 | SNAP STUD, W/#8 X 3/8" PH SS |
| | 835819 | BRACKET, ALUM 1"X 1"X 6" 3/16"HOLES |
| | 847327 | PLATE, STRIKER MOBELLA 13/16"WIDE |
| | 980896 | CURTAIN, SHOWER ECRU 67.5"X 27" |
| | 1163864 | SNAP SOCKET, W/ 1/8" HOLE |
| | 1163872 | SNAP BUTTON, W/ 1/8" BARREL |
| | 1577618 | FRAME, ALUM 64"X 19 5/8" ARC WHT |
| | 1581404 | LATCH, OFFSHR FLUSH LH-OUT PRVKNB CHR |
| | 156893 | WEBBING, POLYPROPYLENE 1" BLACK |

FORWARD STATEROOM



FORWARD STATEROOM

| | | |
|----|---------|---|
| 1 | 1440551 | SPEAKER, CLARION INT 6.5" BLK SRR1624 |
| 2 | 981316 | SPOTLIGHT, SWIVEL TASK BEIGE W/GLD ACCNT HLG |
| | 858886 | BULB, REPL FOR #0830307 |
| 3 | 1606094 | 300DA 02,MIR ASSY,FWDSTRM |
| 4 | 1647254 | 300DA 02,BLSTR,CTR FWDSTRM |
| | 1647262 | 300DA 02,BLSTR SKN,CTR FWDSTRM |
| 5 | 1585009 | PILLOW PKG, 2002 280/300DA/290AJ PKG-A (3) |
| | 1585017 | PILLOW PKG, 2002 280/300DA/290AJ PKG-B (3) |
| | 1585025 | PILLOW PKG, 2002 280/300DA/290AJ PKG-C (3) |
| | 1585033 | PILLOW PKG, 2002 280/300DA/290AJ PKG-D (3) |
| 6 | 1605229 | CURTAIN, 300DA-02 FWDSTRM STB PKGD (STANDARD) |
| | 1605245 | CURTAIN, 300DA-02 FWDSTRM STB PKGA/B |
| | 1605237 | CURTAIN, 300DA-02 FWDSTRM STB PKGC |
| 7 | 1647270 | 300DA 02,BLSTR,STB FWDSTRM |
| | 1647288 | 300DA 02,BLSTR SKN,STB FWDSTRM |
| | 1647296 | 300DA 02,BLSTR,PRT FWDSTRM |
| | 1647304 | 300DA 02,BLSTR SKN,PRT FWDSTRM |
| 8 | 965707 | MONITOR, CO DETECTOR WHT |
| 9 | 148015 | HOOK, CLOTHES HOOK SURFACE MT 5" |
| 10 | 1605203 | CURTAIN, 300DA-02 FWDSTRM ENTR STB PKGD (STANDARD) |
| | 1605187 | CURTAIN, 300DA-02 FWDSTRM ENTR STB PKGA/B |
| | 1605161 | CURTAIN, 300DA-02 FWDSTRM ENTR STB PKGC |
| 11 | 1606243 | 300DA 02,DOOR,R/L COMP (SEE DOOR HARDWARE) |
| 12 | 1606276 | 300DA 02,DOOR,FWDSTRM BUNK CTR STB (SEE DOOR HARDWARE) |
| 13 | 1606284 | 300DA 02,DOOR,FWDSTRM BUNK CTR PRT (SEE DOOR HARDWARE) |
| 14 | 989921 | A/C COMP, GRILL 12X10 CLW W/FILTER (OPTIONAL AIR CONDITIONING / HEATING - HULL# 1202 -> 1203 ONLY) |
| 15 | 1606227 | 300DA 02,BLSTR,FWDSTRM BUNK |
| | 1606235 | 300DA 02,BLSTR SKN,FWDSTRM BUNK |
| 16 | 1606201 | 300DA 02,CUSH,FWDSTRM AFT |
| | 1606219 | 300DA 02,CUSH SKN,FWDSTRM AFT |
| 17 | 1606169 | 300DA 02,CUSH,FWDSTRM FWD |
| | 1606185 | 300DA 02,CUSH SKN,FWDSTRM FWD |
| 18 | 602862 | RECEPTACLE, DUPLEX BLK 15A |
| | 602870 | COVER PLATE, SGL DUPLEX RECEPT BLK |
| | 627737 | BOX, RECEPTACLE/SWITCH PVC 1-GANG DEEP |
| 19 | 1605252 | CURTAIN, 300DA-02 FWDSTRM PRT PKGD |
| | 1605260 | CURTAIN, 300DA-02 FWDSTRM PRT PKGC |
| | 1605278 | CURTAIN, 300DA-02 FWDSTRM PRT PKGA/B |
| 20 | 132183 | TRACK, ALUM CURT TRK 0.275"X 0.688" TAB TYPE |
| 21 | 1676816 | T-MOLD, VINYL INSERT 5/8" POL CHR (FLEX) |
| 22 | 1605211 | CURTAIN, 300DA-02 FWDSTRM ENTR PRT PKGD (STANDARD) |
| | 1605195 | CURTAIN, 300DA-02 FWDSTRM ENTR PRT PKGA/B |
| | 1605179 | CURTAIN, 300DA-02 FWDSTRM ENTR PRT PKGC |
| 23 | 660126 | A/C COMP, ECU CONTROL UNIT (OPTIONAL AIR CONDITIONING / HEATING) |
| | 1055821 | A/C COMP, FACE PLATE FOR CONTROL BLK (OPTIONAL AIR CONDITIONING / HEATING) |
| 24 | 1612845 | TV/VCR, 13" PANASONIC BLK W/REMOTE/RADIO 4-HD (OPTIONAL TV / VCR COMBO - 120V/60) |
| | 1524578 | TV/VCR, 14" SHARP (EURO) 220V/50 (OPTIONAL TV / VCR COMBO - MULTISYSTEM - 220V/50) |
| | 1606300 | 300DA-02, DOOR, PORT UPPER FWD STRM HI# (STANDARD,SEE DOOR HARDWARE) |
| 25 | 294926 | BASE, TV PULL-OUT SWIVEL ONLY (OPTIONAL TV / VCR COMBO) |
| 26 | 1606292 | 300DA 02,DOOR,FWDSTRM LWR PRT (SEE DOOR HARDWARE) |
| 27 | 840850 | LIGHT, COURTESY OVAL STEP ANTIQUE WHT (INT) |
| | 1184639 | BULB, REPL FOR MRP #0840850 (STEP LT) |
| 28 | 1180041 | ANTENNA, TV AMP W/SHIP/SHORE A/B SW 12/24VDC (OPTIONAL TV / VCR COMBO) |
| 29 | 1426428 | STEREO, AMP MARINE AUDIO MAA120-2 12V |
| 39 | 1676816 | T-MOLD, VINYL INSERT 5/8" POL CHR (FLEX) |

CARPET

1579846 CARPET, EXT 24 OZ MOCHA #9230 BT

DOOR HARDWARE

| | | |
|----|---------|---|
| 30 | 525667 | HINGE, CONCEALED FULL OVERLAY MT PLATE ONLY |
| 31 | 839399 | HINGE, SELF CLOSING BLUM SCREW-ON |
| 32 | 1502327 | MICA, 4'X 8'X.030"VIOLIN FIG ANNIGRE GLS GR20 |
| 33 | 663708 | BUMPER, CLEAR .020" THICK |
| 34 | 945246 | PULL, ROSETTE POL SOLID BRASS 19MM |
| 35 | 1271014 | PULL, PUSH-BUTTON KNOB CHR |

DOOR HARDWARE (continued)

| | | |
|----|---------|-----------------------------------|
| 36 | 1123165 | LATCH, 12MM BRASS SHAFT EXTENSION |
| 37 | 772418 | CATCH, RIM-LOCK WHT |
| 38 | 761445 | CATCH, RIM-LOCK STRIKE PLATE |

CURTAIN SET COMPLETE

| | |
|---------|---|
| 1590108 | CURTAIN, 300DA-01 PKG-A/B FANTASY NATURAL |
| 1590124 | CURTAIN, 300DA-01 PKG-C BRIGADOON POLAR |
| 1590132 | CURTAIN, 300DA-01 PKG-D SHANTUNG-SH LYNX |

FOAM

| | |
|---------|--------------------------------------|
| 1590611 | FOAM, P/C 300DA-02 FWD STRM CUSH SET |
|---------|--------------------------------------|

V-BERTH FABRIC

| | |
|---------|--|
| 1417781 | FABRIC, WHEEL OF FORTUNE FLAT (STANDARD) |
| 1417799 | FABRIC, WHEEL OF FORTUNE-6"DIA QLT 100Z/AC/B (STANDARD) |
| 1417765 | FABRIC, BOOMERANG CREAM FLAT |
| 1417773 | FABRIC, BOOMERANG CREAM-6"DIA QLT 100Z/AC/B |
| 1417732 | FABRIC, BOOMERANG WHT FLAT |
| 1417740 | FABRIC, BOOMERANG WHT-6"DIA QLT 100Z/AC/B |
| 1142124 | FABRIC, FIRENZA BLUE FLAT |
| 1142132 | FABRIC, FIRENZA BLUE-6"DIA QLT 100Z/AC/B |

VINYL

| | |
|---------|-------------------------------------|
| 1142165 | VINYL, ALLANTE II WHT SAND EXP FLAT |
| 989426 | VINYL, ALLANTE II BLK EXP FLAT |

WASHABLE SURFACE/HEADLINER AND HULL LINER

| | |
|---------|--|
| 1140367 | VINYL, RVIEW LT CAMEO N/W FLAT |
| 1140375 | VINYL, RVIEW LT CAMEO N/W 1/4"FB W/DOW |
| 1258128 | WELT, ALLANTE II WHT SAND 5/32" |
| 1142181 | WELT, RVIEW LT CAMEO 5/32" |
| 1142199 | WELT, RVIEW LT CAMEO 8/32" |

LABELS

| | |
|--------|---|
| 947838 | LABEL, DANGER CARBON MONOXIDE (LEXAN) |
| 328864 | LABEL, SECURE TELEVISION (LEXAN) (OPTIONAL TV / VCR COMBO) |

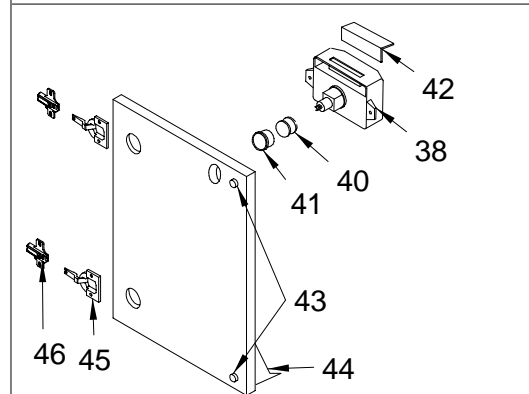
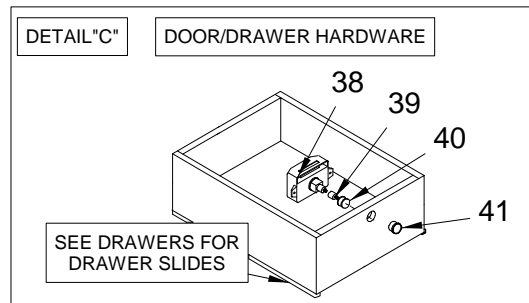
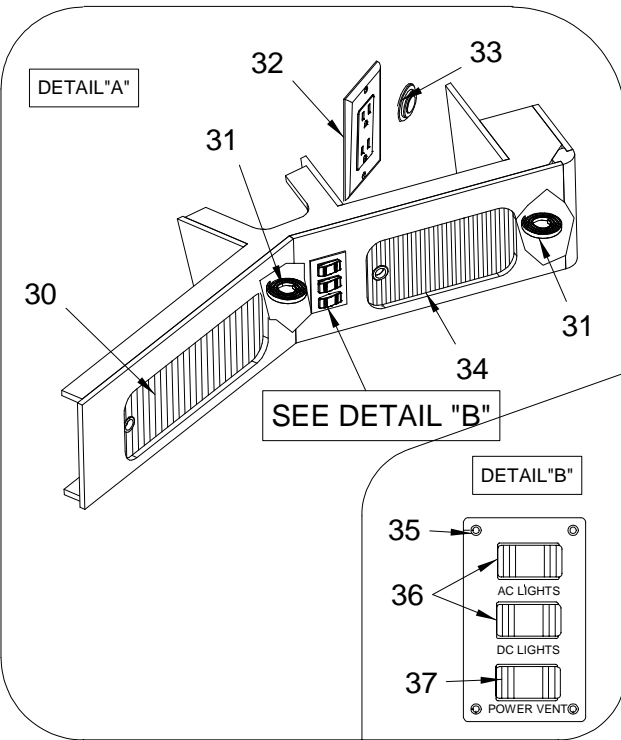
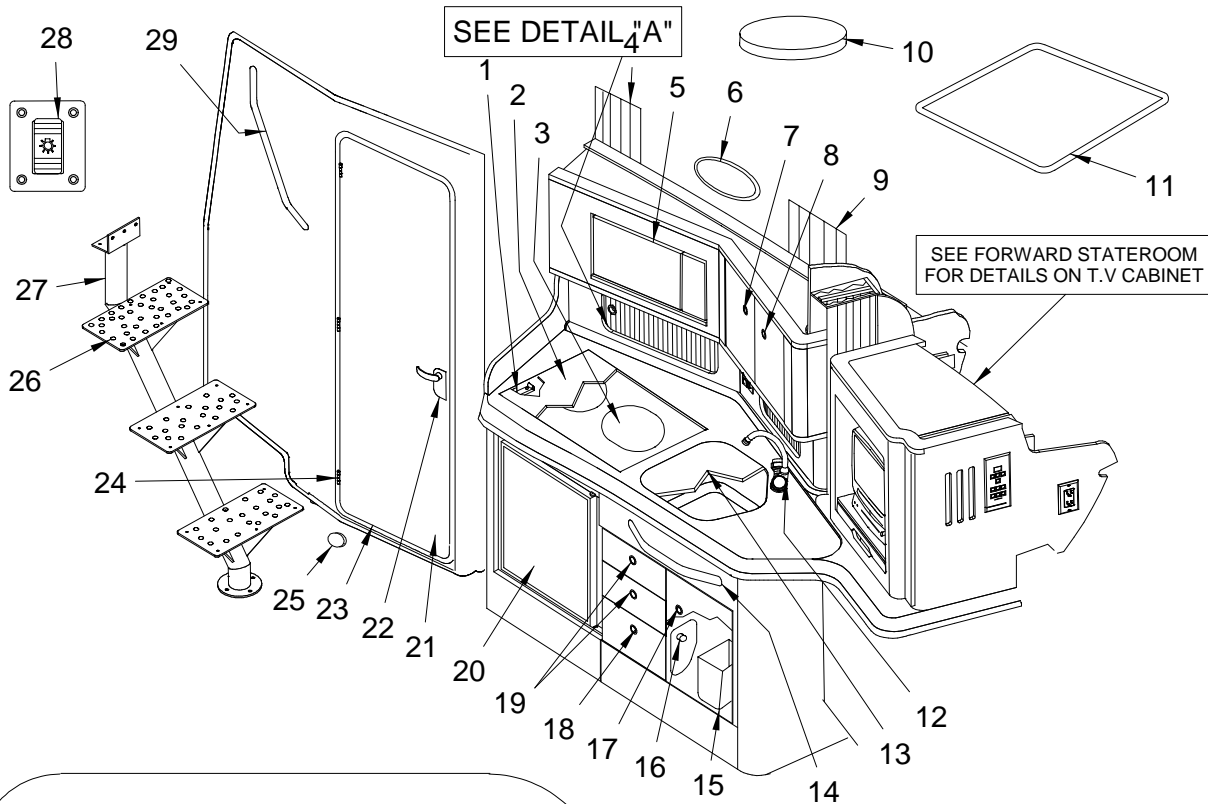
UPHOLSTERY MATERIALS

| | |
|---------|---|
| 154369 | SNAP STUD, W/#8 X 3/8" PH SS |
| 180182 | ZIPPER, #5 DELRIN CONTINUOUS WHT |
| 180406 | SLIDE, DELRIN #5 WHT 1-S LOCK |
| 1052851 | SNAP CAP, PRESS-ON COVER #2 PHILLIP BEIGE |
| 1128487 | FABRIC, GEOMETRIC STRAW (NDLPNCH) W/BACK |
| 1163864 | SNAP SOCKET, W/ 1/8" HOLE |
| 1163872 | SNAP BUTTON, W/ 1/8" BARREL |

NOT SHOWN

| | |
|--------|---|
| 836007 | BRACKET, ALUM 1.5"X 1.5"X 3" 3/16"HOLES |
| 516732 | NOSING, ALUM 5/8"X 12' ROUNDED GOLD |

GALLEY



GALLEY

| | | |
|----|---------|---|
| 1 | 1194539 | SWITCH, PUSH-BUTTON STOVE W/48"20GA WIRE 12OZ RELAY, 120VAC 20 AMP SPDT |
| | 1144088 | |
| 2 | 1335512 | COVER, CORIAN 310/340DA/390MY STOVE AURORA |
| | 1335520 | COVER, CORIAN 310/340DA-00 STOVE SNDSTN (OPTIONAL INT. A,B,C,D - SANDSTONE) |
| 3 | 1182997 | STOVE, ELEC 2-BURNER CARIBBEAN COOKTOP 110 |
| 4 | 1609056 | CURTAIN,300DA 02 GLY AFT PKG-D (STANDARD) |
| | 1609064 | CURTAIN,300DA 02 GLY AFT PKG A/B |
| | 1609072 | CURTAIN,300DA 02 GLY AFT PKG-C |
| 5 | 1141191 | MICROWAVE, GE 0.6CF BLK 110V |
| | 1330356 | MICROWAVE, ORIGO 0.5CF 220 BLK (OPTIONAL 220V) |
| 6 | 1453992 | PORTLIGHT, OPENING ALL SS 3/8"-7/8" MOD REV1 |
| | 1331313 | PORTLIGHT, SCREEN 3/8"X 7/8" |
| 7 | 1607050 | 300DA 02,DOOR,GLY UPR AFT (SEE DOOR/DRAWER HARDWARE) |
| 8 | 1607076 | 300DA 02,DOOR,GLY UPR FWD (SEE DOOR/DRAWER HARDWARE) |
| | 773036 | STOP, HDPE GALLEY DISH 1/2"X 3"X 2.5" |
| 9 | 1609080 | CURTAIN,300DA 02 GLY FWD PKG-D (STANDARD) |
| | 1609098 | CURTAIN,300DA 02 GLY FWD PKG A/B |
| | 1609106 | CURTAIN,300DA 02 GLY FWD PKG-C |
| 10 | 1002807 | LIGHT, CHARLY BOY 180GOLD TWIST-ON |
| | 981357 | BULB, REPL FOR CHARLY BOY |
| | 982058 | BULB, REPL FOR CHARLY BOY 220V |
| 11 | 985762 | HATCH, DECK 12X12 ULTRA II NO CLIPS |
| | 1193754 | TRIM RING, HATCH 12X12 W/2.5"LIP WHTPC |
| | 880716 | SCREEN, DECK SKYSCREEN 12"X 12" SLR |
| 12 | 982173 | FAUCET, GALLEY CLASSIC SHORT SPOUT W/HANDLES |
| 13 | 1577576 | COVER, CORIAN 300DA-02 GLY SINK AURORA |
| | 1577584 | COVER, CORIAN 300DA-02 GLY SINK SNDSTN (OPTIONAL INT. A,B,C,D - SANDSTONE) |
| 14 | 335521 | RAIL, GRAB 18" OVAL W/STUD |
| 15 | 431098 | BASKET, TRASH 11 3/8"X 8.25"X 12 1/8" BEIGE |
| 16 | 1590595 | HOLDER, HDPE 300DA-02 SINK COVER |
| 17 | 1607092 | 300DA 02,DOOR,GLY LWR (SEE DOOR/DRAWER HARDWARE) |
| 18 | 1607282 | 300DA 02,DRWR,GLY LWR (SEE DOOR/DRAWER HARDWARE) |
| | 647446 | DRAWER SLIDE, ROLLER METAL 12" |
| 19 | 1607274 | 300DA 02,DRWR GLY UPR (SEE DOOR/DRAWER HARDWARE) |
| | 647479 | DRAWER SLIDE, ROLLER METAL 18" |
| | 777102 | TRAY, "REV-A-SHELF" CUTLERY TRAY 12" |
| 20 | 777417 | REFRIGERATOR, 2.0 CF AC/DC (HULL # 1200-1246) |
| | 779462 | REFRIGERATOR, 2.0 CF AC/DC 220/50 (OPTIONAL 220V) (HULL # 1200-1246) |
| | 1658368 | REFRIGERATOR, 2.7 CF (HULL # 1247-UP) |
| | 1671064 | REFRIGERATOR, 2.7 CF AC/DC 220/50 (OPTIONAL 220V) (HULL # 1247-UP) |
| | 1684183 | REFRIGERATOR, 1.7 CF 12V ONLY (HULL # 1247-UP) |
| 21 | 1607621 | 300DA 02,DOOR,HEAD CMPLT |
| 22 | 1581404 | LATCH, OFFSHR FLUSH LH-OUT PRVKNB CHR |
| 23 | 1577618 | FRAME, ALUM 64"X 19 5/8" ARC WHT |
| 24 | 840850 | LIGHT, COURTESY OVAL STEP ANTIQUE WHT (INT) |
| | 1184639 | BULB, REPL FOR MRP #0840850 (STEP LT) |
| 25 | 132324 | HINGE, BUTT CHROME/ZINC 2" |
| 26 | 1316983 | FLOORING, VINYL LONCOIN II FLECKS SANDSTONE |
| 27 | 1585306 | STEP, ALUM 300DA-02 ENTRYWAY |
| 28 | 1525997 | PANEL, 280DA-01 SGL LIGHT BEIGE W/BLK ROCKERS |
| | 797761 | BODY, ROCK SW SPST BLK 12V INCAND NON-LIT |
| | 1541655 | ACTUATOR, ROCK SWITCH-LIGHTS BLK |
| 29 | 505008 | RAIL, GRAB 24" OVAL W/STUDS |
| 30 | 1607290 | 300DA 02,DOOR,GLY AFT TMBR |
| | 970095 | TAMBOUR, 1/8" 4 X 8 SOVEREIGN CHERRY |
| | 945246 | PULL, ROSETTE POL SOLID BRASS 19MM |
| | 516583 | CHANNEL, VINYL-U ROUNDED 1/8" POL BRASS RIGID |
| 31 | 996264 | TRACK, TAMBOUR SLIDE LEFT SPIRAL WHT |
| | 996272 | TRACK, TAMBOUR SLIDE RIGHT SPIRAL WHT |
| | 122929 | TRACK, TAMBOUR SLIDE LEFT SPIRAL |
| | 122937 | TRACK, TAMBOUR SLIDE RIGHT SPIRAL |
| 32 | 602862 | RECEPTACLE, DUPLEX BLK 15A |
| | 602870 | COVER PLATE, SGL DUPLEX RECEPT BLK |
| 33 | 1259977 | PLATE, FEMALE 12V RECEPTACLE MNT |
| | 1287283 | RECEPTACLE, FEMALE 12V LONG THRD BLK |

| | | |
|----|---------|---|
| 34 | 1607340 | 300DA 02,DOOR,GLY FWD TMBR |
| | 970095 | TAMBOUR, 1/8" 4 X 8 SOVEREIGN CHERRY |
| | 945246 | PULL, ROSETTE POL SOLID BRASS 19MM |
| | 516583 | CHANNEL, VINYL-U ROUNDED 1/8" POL BRASS RIGID |
| 35 | 1532142 | PANEL, 290/310DA-01 GALLEY LGHTS/VENT SW BLK |
| 36 | 797761 | BODY, ROCK SW SPST BLK 12V INCAND NON-LIT |
| | 1609858 | ACTUATOR, ROCK SWITCH-LIGHTS BLK 90DEG ICON |
| 37 | 1609312 | BODY, ROCK SW SPST BLK 12V INCAND NON-LIT |
| | 1647577 | ACTUATOR, ROCK SWITCH-POWER VENT BLK |

DOOR/DRAWER HARDWARE

| | | |
|----|---------|---|
| 38 | 772418 | CATCH, RIM-LOCK WHT |
| 39 | 1123165 | LATCH, 12MM BRASS SHAFT EXTENSION |
| 40 | 1271014 | PULL, PUSH-BUTTON KNOB CHR |
| 41 | 945246 | PULL, ROSETTE POL SOLID BRASS 19MM |
| 42 | 761445 | CATCH, RIM-LOCK STRIKE PLATE |
| 43 | 663708 | BUMPER, CLEAR .020" THICK |
| 44 | 1502327 | MICA, 4"X 8"X.030"VIOLIN FIG ANNIGRE GLS GR20 |
| 45 | 839399 | HINGE, SELF CLOSING BLUM SCREW-ON |
| 46 | 525667 | HINGE, CONCEALED FULL OVERLAY MT PLATE ONLY |

NOT SHOWN DRAWERS

| | |
|---------|--------------------------------|
| 971002 | MAPLE, DRWR BTM 1/4"X 4"X 8" |
| 971010 | MAPLE, DRWR SIDE 1/2"X 4"X 96" |
| 1006899 | MAPLE, DRWR SIDE 1/2"X 6"X 96" |

GALLEY COUNTER TOPS/GEL COATS

| | |
|---------|--------------------------------------|
| 1581339 | FBRGLS PART, 300DA-02 GLY TOP AURORA |
|---------|--------------------------------------|

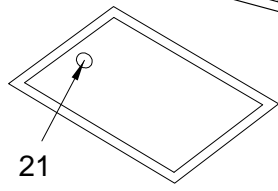
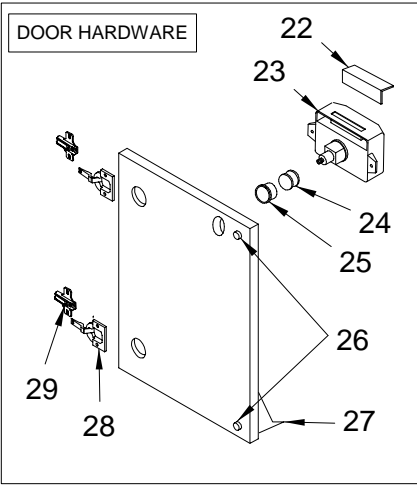
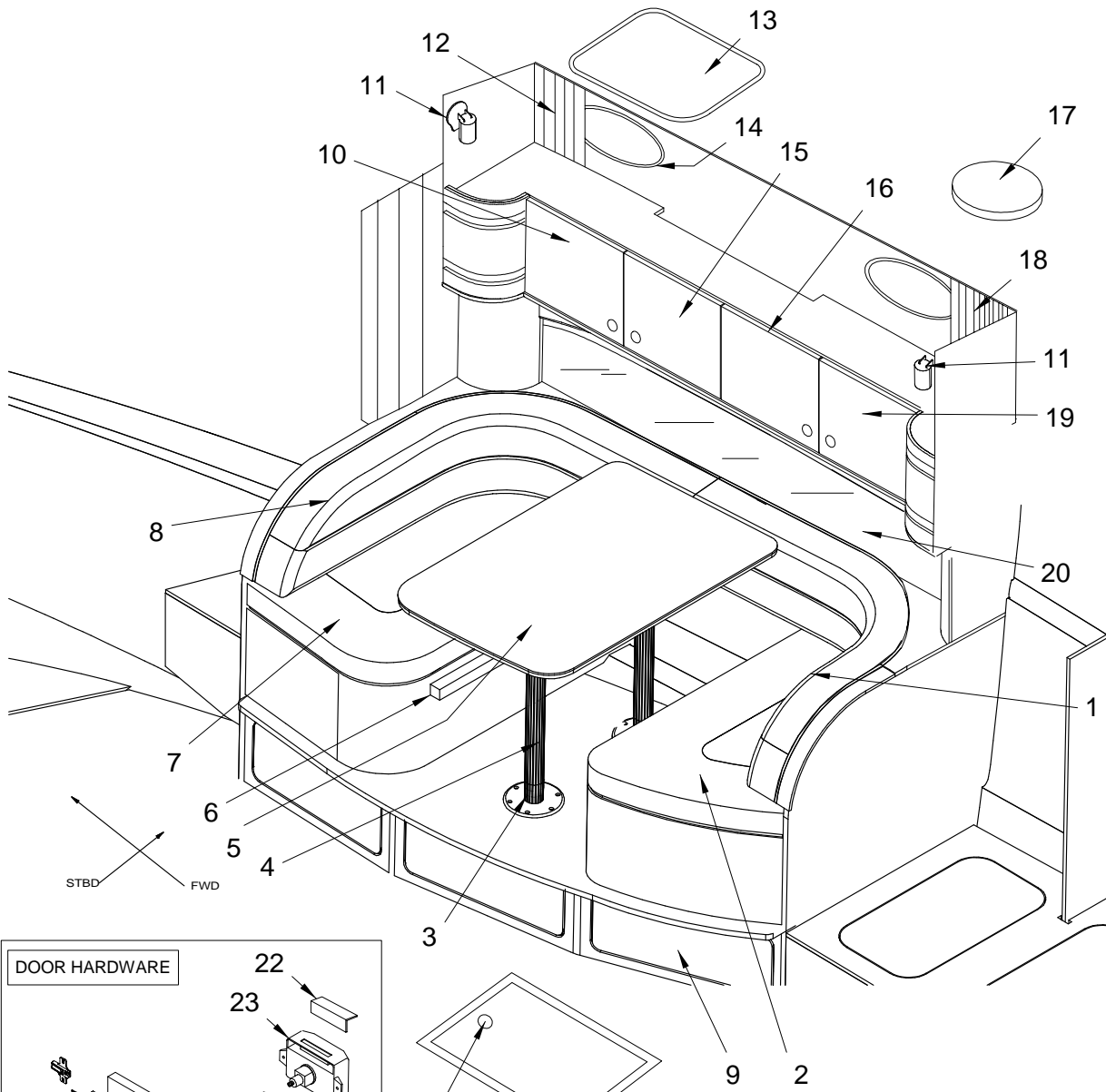
LABELS

| | |
|--------|---------------------------------------|
| 532820 | LABEL, DISPOSAL OF GARBAGE |
| 324756 | LABEL, RECEPTACLE 12V-15A MAX (LEXAN) |

NOT SHOWN

| | |
|--------|---|
| 124024 | HOSE, VENT/BLOWER 3" EX HVY DTY |
| 129676 | BLOWER, BILGE 3" FACE MNT #5412 |
| 144907 | COVER PLATE, SWITCH BOX BLUE PVC |
| 145078 | COVER PLATE, SGL DUPLEX RECEPT BRN |
| 145094 | RECEPTACLE, DUPLEX BRN 15A |
| 180463 | BOX, RECEPTACLE HANDY DUPLEX METAL |
| 516583 | CHANNEL, VINYL-U ROUNDED 1/8" POL BRASS RIGID |
| 516732 | NOSING, ALUM 5/8"X 12' ROUNDED GOLD |
| 627737 | BOX, RECEPTACLE/SWITCH PVC 1-GANG DEEP |
| 836007 | BRACKET, ALUM 1.5"X 1.5"X 3" 3/16"HOLES |
| 912774 | NOSING, VINYL 1"X 1/4"X 12' RIGID SR WHT |
| 948505 | A/C COMP, HOSE CONN 3" |

SALON (PLAN A)



SALON (PLAN A)

| | | |
|----|---------|--|
| 1 | 1689211 | 300DA 02,BLSTR,SLN AFT PLNA |
| | 1689212 | 300DA 02,BLSTR SKN,SLN AFT PLNA |
| 2 | 1689213 | 300DA 02,CUSH,SLN AFT PLNA |
| | 1689214 | 300DA 02,CUSH SKN,SLN AFT PLNA |
| 3 | 876961 | BASE, LEG/POST FLUSH MT ALUM |
| 4 | 1476738 | POST, TABLE LEG 26.5"X 2.25" ALUM RIB DBL TPR |
| 5 | 1689532 | 300DA 02,TBL,SLN PLNA |
| | 876979 | BASE, LEG/POST SURF MT ALUM |
| 6 | 1689531 | 300DA 02,SUPPORT,TBL SLN PLNA |
| 7 | 1689217 | 300DA 02,CUSH,SLN FWD PLNA |
| | 1689218 | 300DA 02,CUSH SKN,SLN FWD PLNA |
| 8 | 1689215 | 300DA 02,BLSTR,SLN FWD PLNA |
| | 1689216 | 300DA 02,BLSTR SKN,SLN FWD PLNA |
| 9 | 1689530 | 300DA 02,DOOR,SLN FWD PLNA |
| | 1689529 | 300DA 02,DOOR,SLN CTR PLNA |
| | 1689528 | 300DA 02,DOOR,SLN AFT PLNA |
| | 390849 | CATCH, GRABBER LATCH W/10LB HOLD BLK PLAS |
| 10 | 1609353 | 300DA 02,DOOR,SLN UPR CAB FWD (SEE DOOR HARDWARE) |
| 11 | 981316 | SPOTLIGHT, SWIVEL TASK BEIGE W/GLD ACCNT HLGN |
| | 858886 | BULB, REPL FOR #0830307 |
| 12 | 1609403 | CURTAIN,300DA 02 SLN FWD PKG-D (STANDARD) |
| | 1609429 | CURTAIN,300DA 02 SLN FWD PKG A/B |
| | 1609437 | CURTAIN,300DA 02 SLN FWD PKG-C |
| 13 | 985762 | HATCH, DECK 12X12 ULTRA II NO CLIPS |
| | 1193754 | TRIM RING, HATCH 12X12 W/2.5"LIP WHTPC |
| | 880716 | SCREEN, DECK SKYSCREEN 12"X 12" SLR |
| 14 | 1453992 | PORTLIGHT, OPENING ALL SS 3/8"-7/8" MOD REV1 |
| | 1331313 | PORTLIGHT, SCREEN 3/8"X 7/8" |
| 15 | 1609361 | 300DA 02,DOOR,SLN UPR CAB CTR FWD (SEE DOOR HARDWARE) |
| 16 | 1609379 | 300DA 02,DOOR,SLN UPR CAB CTR AFT (SEE DOOR HARDWARE) |
| 17 | 1002807 | LIGHT, CHARLY BOY 180GOLD TWIST-ON |
| | 981357 | BULB, REPL FOR CHARLY BOY |
| | 982058 | BULB, REPL FOR CHARLY BOY 220V |
| 18 | 1609445 | CURTAIN,300DA 02 SLN AFT PKG-D (STANDARD) |
| | 1609452 | CURTAIN,300DA 02 SLN AFT PKG A/B |
| | 1609460 | CURTAIN,300DA 02 SLN AFT PKG-C |
| | 132183 | TRACK, ALUM CURT TRK 0.275"X 0.688" TAB TYPE |
| 19 | 1609387 | 300DA 02,DOOR,SLN UPR CAB AFT (SEE DOOR HARDWARE) |
| 20 | 1651991 | 300DA 02,MIR ASSY,SLN |
| 21 | 140111 | LIFT HANDLE, HATCH LIFT BOLT W/RING 3" |

NOT SHOWN (continued)

| | |
|---------|---|
| 798314 | SNAP CAP, PRESS-ON COVER #2 PHILLIP BLK |
| 835850 | BRACKET, ALUM 1"X 1"X 1" 3/16"HOLES |
| 836007 | BRACKET, ALUM 1.5"X 1.5"X 3" 3/16"HOLES |
| 981043 | PANEL, 290SDA-97 AC MAIN DIST |
| 1052851 | SNAP CAP, PRESS-ON COVER #2 PHILLIP BEIGE |
| 1163864 | SNAP SOCKET, W/ 1/8" HOLE |
| 1163872 | SNAP BUTTON, W/ 1/8" BARREL |
| 1324334 | BUSS BAR, MINIBUS BAR DC |
| 1426428 | STEREO, AMP MARINE AUDIO MAA120-2 12V |
| 1570621 | PANEL, 300DA-02 DC DIST STD |
| 1577717 | PANEL, WATER LEVEL IND |
| 1580125 | HARNES, 300DA-02 CEILING |
| 1581081 | HARNES, 300DA-02 CABIN |
| 1581560 | ANTENNA, AMPLIFIED 13398 |

CANVAS CARPET RUNNERS

| | |
|---------|--|
| 1590769 | CANVAS, 300DA-02 CARPET RUNNER SET TST |
|---------|--|

DOOR HARDWARE

| | | |
|----|---------|---|
| 25 | 761445 | CATCH, RIM-LOCK STRIKE PLATE |
| 26 | 772418 | CATCH, RIM-LOCK WHT |
| 27 | 1271014 | PULL, PUSH-BUTTON KNOB CHR |
| 28 | 945246 | PULL, ROSETTE POL SOLID BRASS 19MM |
| 29 | 663708 | BUMPER, CLEAR .020" THICK |
| 31 | 839399 | HINGE, SELF CLOSING BLUM SCREW-ON |
| 32 | 525667 | HINGE, CONCEALED FULL OVERLAY MT PLATE ONLY |

CARPET INTERIOR

| | |
|---------|---|
| 1467166 | CARPET, INT 44 OZ SNOW 6FT 100% BCF NYLON |
|---------|---|

FABRICS AND MISCELLANEOUS MATERIALS

| | |
|---------|--|
| 291138 | FABRIC, DYMETROL MATERIAL |
| 989426 | VINYL, ALLANTE II BLK EXP FLAT |
| 1140375 | VINYL, RVIEW LT CAMEO N/W 1/4"FB W/DOW |

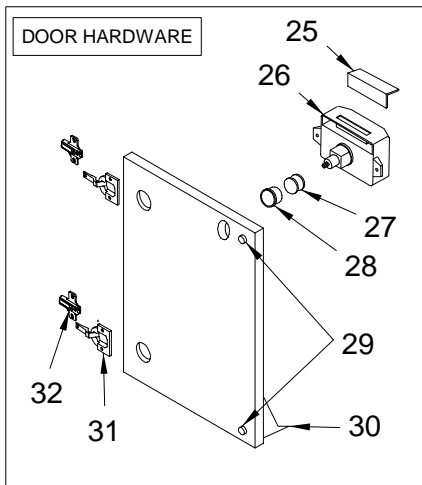
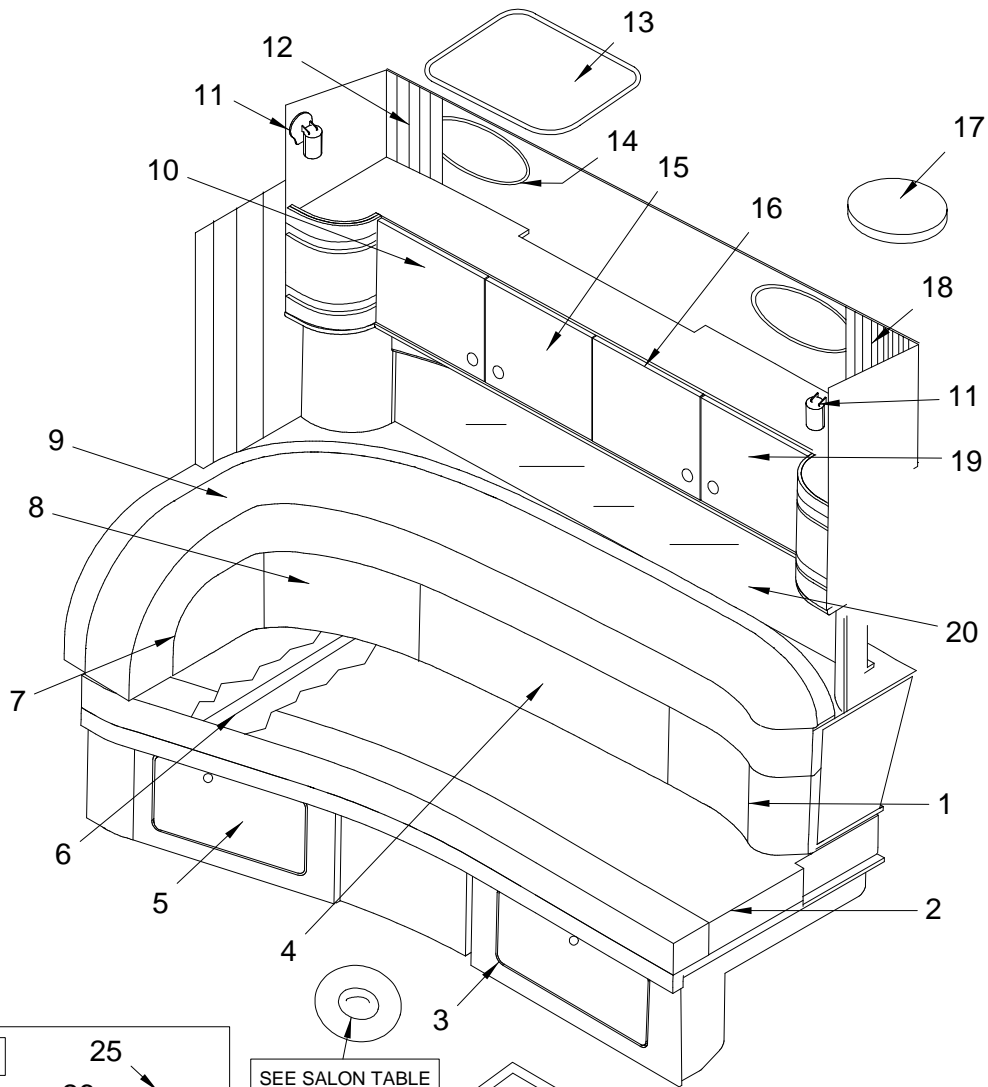
MULTI-INFO PACKET

| | |
|---------|---|
| 1591783 | PACKET, MULTI-INFO 300DA-02 |
| 203257 | CHECK LIST, IN SERVICE - SP CRUISERS |
| 800565 | BOOKLET, BOATER'S GUIDE TO AC ELECTRICAL SYST |

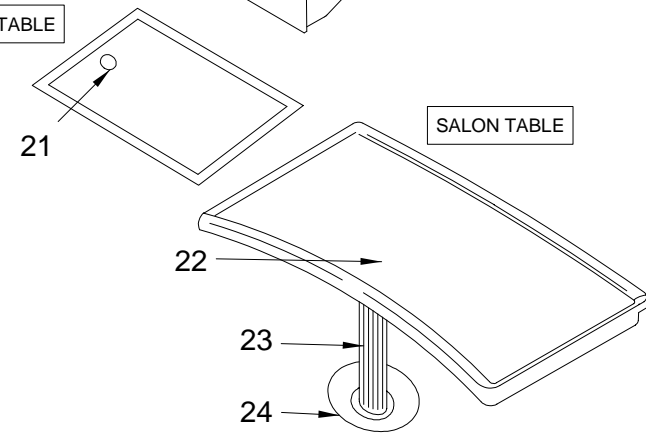
NOT SHOWN

| | |
|--------|-------------------------------------|
| 137349 | ACCESS PLATE, PLAS CVR 5" WHT |
| 154369 | SNAP STUD, W/#8 X 3/8" PH SS |
| 198663 | HINGE, AL CONT FORM/SGL 2"X 72" BLK |
| 516732 | NOSING, ALUM 5/8"X 12" ROUNDED GOLD |
| 736645 | CABLE, RCA AUDIO 20' W/EFX-2 CONN |
| 795583 | BUSS BAR, SGL POST 5/16" |

SALON (PLAN B)



SEE SALON TABLE



SALON (PLAN B)

- 1 1608041 300DA 02,CUSH,SLN SOFA AFT FILR
1608058 300DA 02,CUSH SKN,SLN SOFA AFT FILR
2 1608066 300DA 02,CUSH,SLN SOFA
1608074 300DA 02,CUSH SKN,SLN SOFA
3 1609320 300DA 02,DOOR,SLN SOFA AFT
(CARPETED DOOR)
195032 HINGE, AL CONT 1.25"X 72" SAT
390849 CATCH, GRABBER LATCH W/10LB HOLD BLK PLAS
4 1608082 300DA 02,CUSH,SLN SOFA CTR FILR
1608116 300DA 02,CUSH SKN,SLN SOFA CTR FILR
5 1609346 300DA 02,DOOR,SLN SOFA FWD
(CARPETED DOOR)
195032 HINGE, AL CONT 1.25"X 72" SAT
390849 CATCH, GRABBER LATCH W/10LB HOLD BLK PLAS
6 1211374 TRACK, ALUM SLIDER 26"
894030 SLIDE, HDPE SALON SOFA 1"X 16"
7 1608140 300DA 02,CUSH,SLN SOFA ARM FILR
1608157 300DA 02,CUSH SKN,SLN SOFA ARM FILR
8 1608124 300DA 02,CUSH,SLN SOFA FWD FILR
1608132 300DA 02,CUSH SKN,SLN SOFA FWD FILR
9 1608165 300DA 02,BLSTR,SLN SOFA
1608173 300DA 02,BLSTR SKN,SLN SOFA
10 1609353 300DA 02,DOOR,SLN UPR CAB FWD
(SEE DOOR HARDWARE)
11 981316 SPOTLIGHT, SWIVEL TASK BEIGE W/GLD ACCNT HLGN
858886 BULB, REPL FOR #0830307
12 1609403 CURTAIN,300DA 02 SLN FWD PKG-D
(STANDARD)
1609429 CURTAIN,300DA 02 SLN FWD PKG A/B
1609437 CURTAIN,300DA 02 SLN FWD PKG-C
13 985762 HATCH, DECK 12X12 ULTRA II NO CLIPS
(HULL # 1201-1314)
1193754 TRIM RING, HATCH 12X12 W/2.5"LIP WHTPC
880716 SCREEN, DECK SKYSCREEN 12"X 12" SLR
1606250 SKYLIGHT, PLEX DECK 14"GRY W/2.25"BDR
(HULL # 1315-UP)
14 1453992 PORTLIGHT, OPENING ALL SS 3/8"-7/8" MOD REV1
1331313 PORTLIGHT, SCREEN 3/8"X 7/8"
15 1609361 300DA 02,DOOR,SLN UPR CAB CTR FWD
(SEE DOOR HARDWARE)
16 1609379 300DA 02,DOOR,SLN UPR CAB CTR AFT
(SEE DOOR HARDWARE)
17 1002807 LIGHT, CHARLY BOY 180GOLD TWIST-ON
981357 BULB, REPL FOR CHARLY BOY
982058 BULB, REPL FOR CHARLY BOY 220V
18 1609445 CURTAIN,300DA 02 SLN AFT PKG-D
(STANDARD)
1609452 CURTAIN,300DA 02 SLN AFT PKG A/B
1609460 CURTAIN,300DA 02 SLN AFT PKG-C
132183 TRACK, ALUM CURT TRK 0.275"X 0.688" TAB TYPE
19 1609387 300DA 02,DOOR,SLN UPR CAB AFT
(SEE DOOR HARDWARE)
20 1651991 300DA 02,MIR ASSY,SLN
21 140111 LIFT HANDLE, HATCH LIFT BOLT W/RING 3"
22 1648443 300DA 02,TBL,SLN
876979 BASE, LEG/POST SURF MT ALUM
23 1476738 POST, TABLE LEG 26.5"X 2.25" ALUM RIB DBL TPR
24 876961 BASE, LEG/POST FLUSH MT ALUM

DOOR HARDWARE

- 25 761445 CATCH, RIM-LOCK STRIKE PLATE
26 772418 CATCH, RIM-LOCK WHT
27 1271014 PULL, PUSH-BUTTON KNOB CHR
28 945246 PULL, ROSETTE POL SOLID BRASS 19MM
29 663708 BUMPER, CLEAR .020" THICK
30 1502327 MICA, 4"X 8"X.030"VIOLIN FIG ANNIGRE GLS GR20
31 839399 HINGE, SELF CLOSING BLUM SCREW-ON
32 525667 HINGE, CONCEALED FULL OVERLAY MT PLATE ONLY

CARPET INTERIOR

- 1467166 CARPET, INT 44 OZ SNOW 6FT 100% BCF NYLON

FABRICS AND MISCELLANEOUS MATERIALS

- 291138 FABRIC, DYMETROL MATERIAL
989426 VINYL, ALLANTE II BLK EXP FLAT
1140375 VINYL, RVIEW LT CAMEO N/W 1/4"FB W/DOW

FOAM

- 1590637 FOAM, P/C 300DA-02 SALON CUSH SET PLN A

MULTI-INFO PACKET

- 1591783 PACKET, MULTI-INFO 300DA-02
203257 CHECK LIST, IN SERVICE - SP CRUISERS
800565 BOOKLET, BOATER'S GUIDE TO AC ELECTRICAL SYST

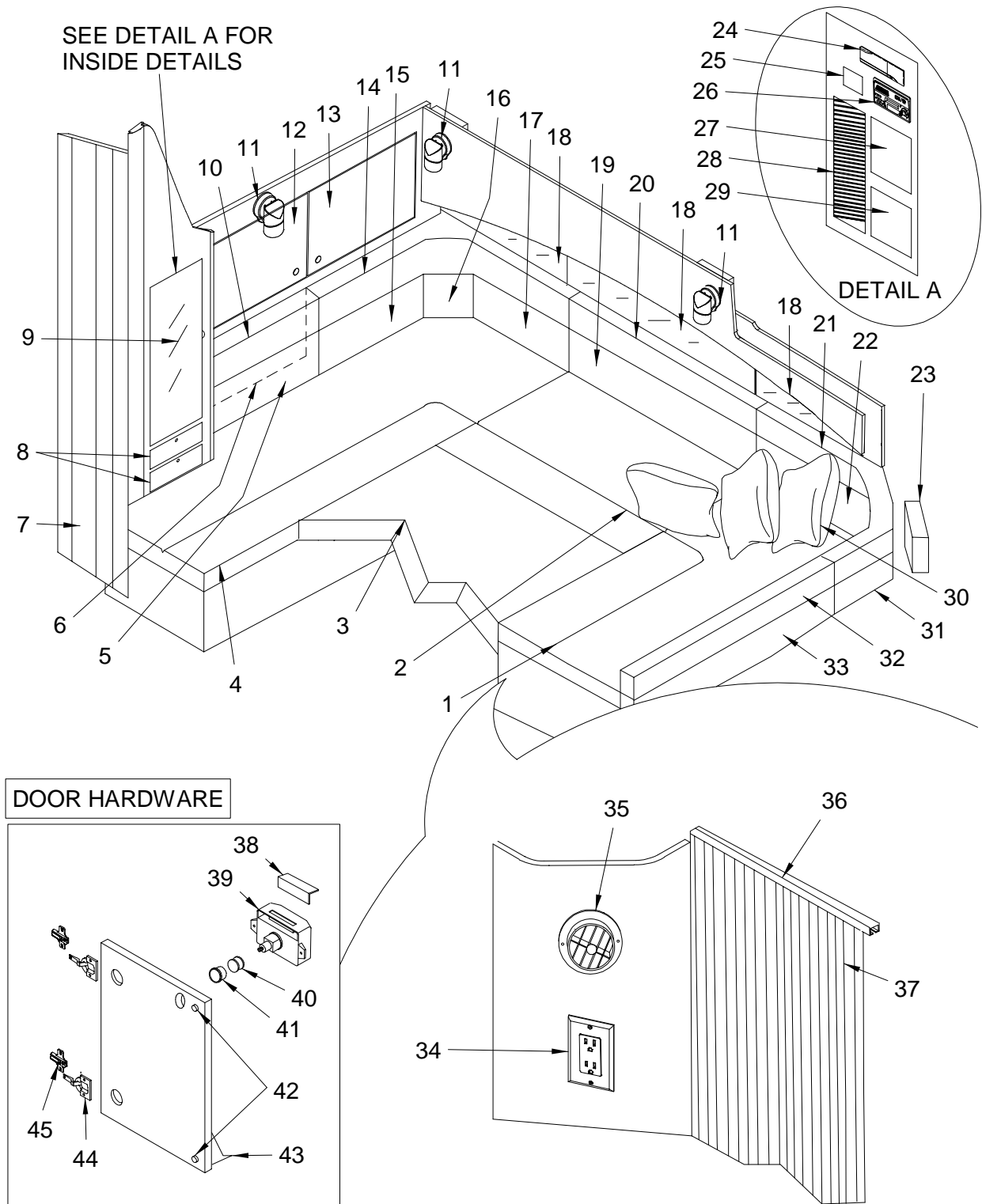
CANVAS CARPET RUNNERS

- 1599000 CANVAS, 300DA(B)-02 CARPET RUNNER SET TST

NOT SHOWN

- 137349 ACCESS PLATE, PLAS CVR 5" WHT
154369 SNAP STUD, W/#8 X 3/8" PH SS
198663 HINGE, AL CONT FORM/SGL 2"X 72" BLK
516732 NOSING, ALUM 5/8"X 12' ROUNDED GOLD
736645 CABLE, RCA AUDIO 20' W/EFX-2 CONN
795583 BUSS BAR, SGL POST 5/16"
798314 SNAP CAP, PRESS-ON COVER #2 PHILLIP BLK
835850 BRACKET, ALUM 1"X 1"X 1" 3/16"HOLES
836007 BRACKET, ALUM 1.5"X 1.5"X 3" 3/16"HOLES
981043 PANEL, 290SDA-97 AC MAIN DIST
1052851 SNAP CAP, PRESS-ON COVER #2 PHILLIP BEIGE
1163864 SNAP SOCKET, W/ 1/8" HOLE
1163872 SNAP BUTTON, W/ 1/8" BARREL
1324334 BUSS BAR, MINIBUS BAR DC
1426428 STEREO, AMP MARINE AUDIO MAA120-2 12V
1570621 PANEL, 300DA-02 DC DIST STD
1577717 PANEL, WATER LEVEL IND
1580125 HARNESS, 300DA-02 CEILING
1581081 HARNESS, 300DA-02 CABIN
1581560 ANTENNA, AMPLIFIED 13398

MID STATEROOM



MID STATEROOM

| | | |
|----|---------|---|
| 1 | 1608181 | 300DA 02,CUSH,MIDSTRM PRT |
| | 1608199 | 300DA 02,CUSH SKN,MIDSTRM PRT |
| 2 | 1608223 | 300DA 02,CUSH,MIDSTRM CTR |
| | 1608231 | 300DA 02,CUSH SKN,MIDSTRM CTR |
| 3 | 1609643 | 300DA 02,CUSH,MIDSTRM FILR |
| | 1609650 | 300DA 02,CUSH SKN,MIDSTRM FILR |
| 4 | 1608207 | 300DA 02,CUSH,MIDSTRM STB |
| | 1608215 | 300DA 02,CUSH SKN,MIDSTRM STB |
| 5 | 1608256 | 300DA 02,CUSH,MIDSTRM STB FWD FILR |
| | 1608306 | 300DA 02,CUSH SKN,MIDSTRM STB FWD FILR |
| 6 | 1648435 | 300DA 02,DOOR,STB MIDSTRM |
| | 195032 | HINGE, AL CONT 1.25"X 72" SAT |
| | 390849 | CATCH, GRABBER LATCH W/10LB HOLD BLK PLAS |
| 7 | 1609114 | CURTAIN,300DA 02 MIDSTRM STB PKG-D (STANDARD) |
| | 1609122 | CURTAIN,300DA 02 MIDSTRM STB PKG A/B |
| | 1609130 | CURTAIN,300DA 02 MIDSTRM STB PKG-C |
| | 132183 | TRACK, ALUM CURT TRK 0.275"X 0.688" TAB TYPE |
| 8 | 1647809 | 300DA 02,DRWR,MIDSTRM |
| 9 | 1609668 | 300DA 02,DOOR,MIDSTRM H/L |
| | 1176635 | PULL, DOOR FLUSH MIRROR .050 BRUSHED BRASS |
| | 148015 | HOOK, CLOTHES HOOK SURFACE MT 5" |
| | 390849 | CATCH, GRABBER LATCH W/10LB HOLD BLK PLAS |
| 10 | 1608587 | 300DA 02,BLSTR,MIDSTRM STB FWD |
| | 1608595 | 300DA 02,BLSTR SKN,MIDSTRM STB FWD |
| 11 | 981316 | SPOTLIGHT, SWIVEL TASK BEIGE W/GLD ACCNT HLGN |
| | 858886 | BULB, REPL FOR #0830307 |
| 12 | 1609726 | 300DA 02,DOOR,MIDSTRM UPR FWD |
| 13 | 1609734 | 300DA 02,DOOR,MIDSTRM UPR AFT |
| 14 | 1608603 | 300DA 02,BLSTR,MIDSTRM STB AFT |
| | 1608611 | 300DA 02,BLSTR SKN,MIDSTRM STB AFT |
| 15 | 1608314 | 300DA 02,CUSH,MIDSTRM STB AFT FILR |
| | 1608397 | 300DA 02,CUSH SKN,MIDSTRM STB AFT FILR |
| 16 | 1608413 | 300DA 02,CUSH,MIDSTRM STB CRNR FILR |
| | 1608454 | 300DA 02,CUSH SKN,MIDSTRM STB CRNR FILR |
| 17 | 1608462 | 300DA 02,CUSH,MIDSTRM STB CTR FILR |
| | 1608470 | 300DA 02,CUSH SKN,MIDSTRM STB CTR FILR |
| 18 | 1653732 | 300DA 02,MIR ASSY,MID STRM |
| 19 | 1608488 | 300DA 02,CUSH,MIDSTRM CTR FILR |
| | 1608496 | 300DA 02,CUSH SKN,MIDSTRM CTR FILR |
| 20 | 1608629 | 300DA 02,BLSTR,MIDSTRM CTR |
| | 1608637 | 300DA 02,BLSTR SKN,MIDSTRM CTR |
| 21 | 1608645 | 300DA 02,BLSTR,MIDSTRM PRT AFT |
| | 1608652 | 300DA 02,BLSTR SKN,MIDSTRM PRT AFT |
| 22 | 1608504 | 300DA 02,CUSH,MIDSTRM PRT CTR FILR |
| | 1608512 | 300DA 02,CUSH SKN,MIDSTRM PRT CTR FILR |
| 23 | 1608520 | 300DA 02,CUSH,MIDSTRM PRT CRNR FILR |
| | 1608538 | 300DA 02,CUSH SKN,MIDSTRM PRT CRNR FILR |
| 24 | 1440528 | STEREO, CD CHANGER 6-DISC XM665 |
| 25 | 1577717 | PANEL, WATER LEVEL IND |
| 26 | 1440494 | STEREO, AM/FM CD PLAYER W/CHANGER CNTRL (HULL # 1200-1238) |
| | 1635135 | STEREO, AM/FM CD PLAYER W/CHNGR CNTRL DIGITAL (HULL # 1239-UP) |
| 27 | 1570621 | PANEL, 300DA-02 DC DIST STD (STANDARD GAS W/O GENERATOR) |
| | 1587450 | PANEL, BLANK:300DA-02 DC DIST STD GAS |
| | 1587443 | PANEL, 300DA-02 DC DIST W/GAS WESTERBEKE (OPTIONAL GAS GENERATOR) |
| | 1570233 | PANEL, 300DA-02 DC DIST W/DSL WSTRBK GEN (OPTIONAL DIESEL GENERATOR) |
| | 1570316 | PANEL, BLANK:300DA-01 DSL DC DIST |
| 28 | 1269026 | HOLDER, COMPACT DISC 13CD HOLD BLK |
| 29 | 981050 | PANEL, 290SDA-97 AC MAIN DIST W/GEN 120/60 (OPTIONAL GENERATOR) |
| | 1571587 | PANEL, BLANK:300DA-01 MDP W/GEN OPT (OPTIONAL GENERATOR) |
| | 981068 | PANEL, 290SDA-97 AC MAIN DIST 220/50 (OPTIONAL 220V) |
| | 1591395 | PANEL, BLANK:300DA-02 AC MAIN DIST 220/50 (OPTIONAL 220V) |
| 30 | 1585132 | PILLOW PKG, 2002 280/300DA/290AJ MCAB PKGA(3) |
| | 1585140 | PILLOW PKG, 2002 280/300DA/290AJ MCAB PKGB(3) |
| | 1585157 | PILLOW PKG, 2002 280/300DA/290AJ MCAB PKGC(3) |
| | 1585165 | PILLOW PKG, 2002 280/300DA/290AJ MCAB PKGD(3) |
| 31 | 1608546 | 300DA 02,CUSH,MIDSTRM PRT AFT FILR |
| | 1608553 | 300DA 02,CUSH SKN,MIDSTRM PRT AFT FILR |
| 32 | 1608660 | 300DA 02,BLSTR,MIDSTRM PRT FWD |
| | 1608678 | 300DA 02,BLSTR SKN,MIDSTRM PRT FWD |
| 33 | 1608561 | 300DA 02,CUSH,MIDSTRM PRT FWD FILR |
| | 1608579 | 300DA 02,CUSH SKN,MIDSTRM PRT FWD FILR |

| | | |
|----|---------|---|
| 34 | 258368 | RECEPTACLE, GFI DUPLEX WHT 15A |
| | 627737 | BOX, RECEPTACLE/SWITCH PVC 1-GANG DEEP |
| 35 | 948281 | A/C COMP, GRILL 4" ROUND CLW (OPTIONAL AIR CONDITIONING / HEATING) |
| 36 | 132183 | TRACK, ALUM CURT TRK 0.275"X 0.688" TAB TYPE |
| 37 | 1609155 | CURTAIN,300DA 02 MIDSTRM PRT PKG-D (STANDARD) |
| | 1609163 | CURTAIN,300DA 02 MIDSTRM PRT PKG A/B |
| | 1609171 | CURTAIN,300DA 02 MIDSTRM PRT PKG-C |

DOOR HARDWARE

| | | |
|----|---------|---|
| 38 | 761445 | CATCH, RIM-LOCK STRIKE PLATE |
| 39 | 772418 | CATCH, RIM-LOCK WHT |
| 40 | 1271014 | PULL, PUSH-BUTTON KNOB CHR |
| 41 | 945246 | PULL, ROSETTE POL SOLID BRASS 19MM |
| 42 | 663708 | BUMPER, CLEAR .020" THICK |
| 43 | 1502327 | MICA, 4"X 8"X.030"VIOLIN FIG ANNIGRE GLS GR20 |
| 44 | 839399 | HINGE, SELF CLOSING BLUM SCREW-ON |
| 45 | 525667 | HINGE, CONCEALED FULL OVERLAY MT PLATE ONLY |

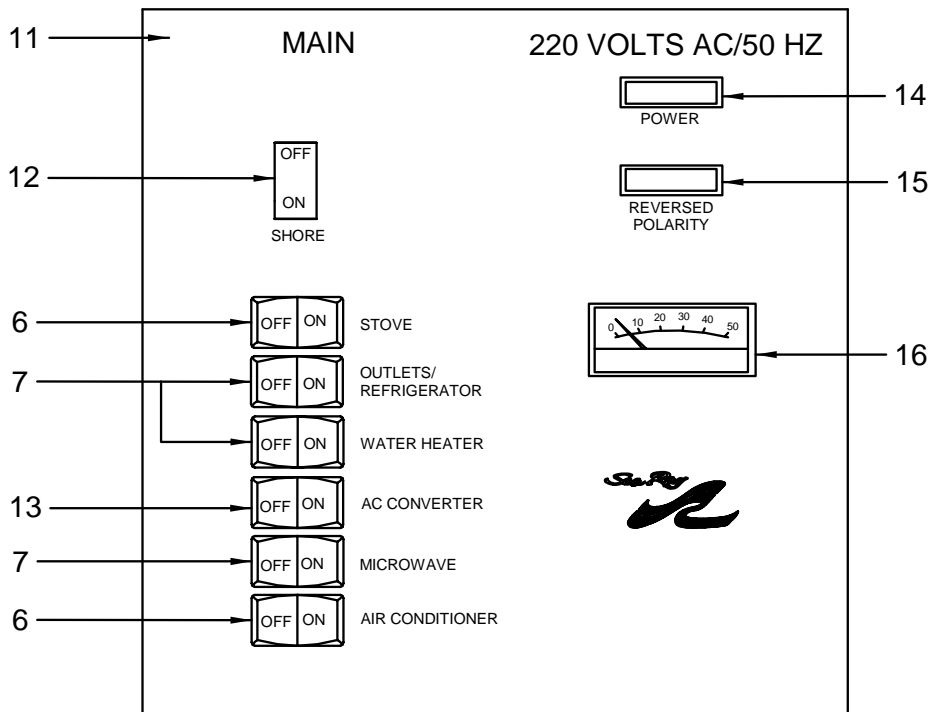
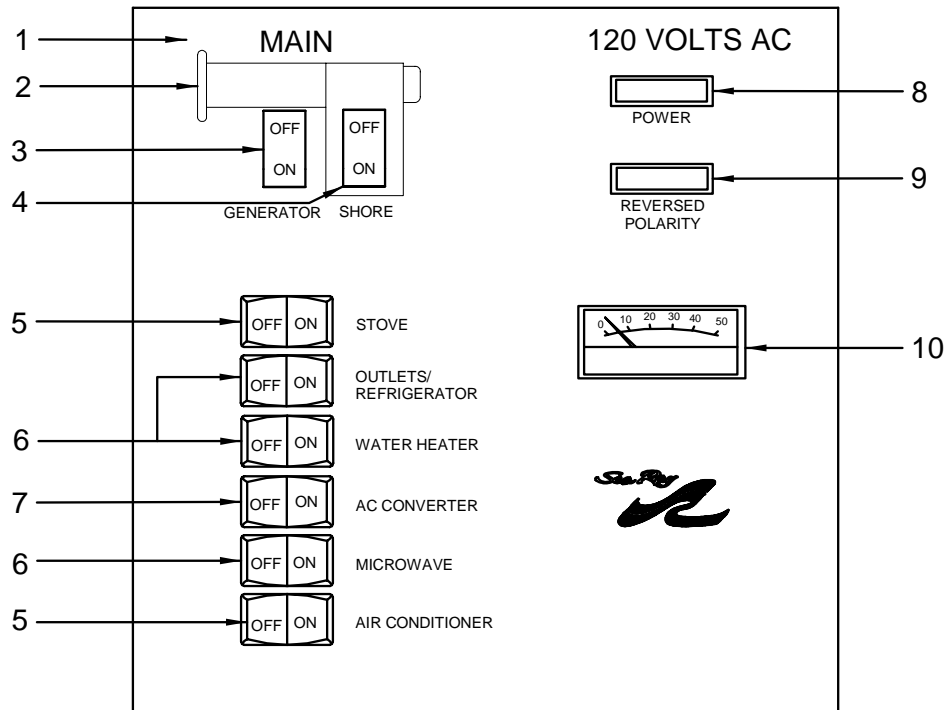
FOAM

| | |
|---------|--------------------------------------|
| 1590629 | FOAM, P/C 300DA-02 MID STRM CUSH SET |
|---------|--------------------------------------|

NOT SHOWN

| | |
|---------|---|
| 154369 | SNAP STUD, W/#8 X 3/8" PH SS |
| 563205 | TRIM, VINYL 5/8" POLISHED CHROME |
| 835850 | BRACKET, ALUM 1"X 1"X 1" 3/16"HOLES |
| 836007 | BRACKET, ALUM 1.5"X 1.5"X 3" 3/16"HOLES |
| 1052851 | SNAP CAP, PRESS-ON COVER #2 PHILLIP BEIGE |
| 1163864 | SNAP SOCKET, W/ 1/8" HOLE |
| 1163872 | SNAP BUTTON, W/ 1/8" BARREL |

AC MAIN DISTRIBUTION PANEL 50HZ WITH GENERATOR

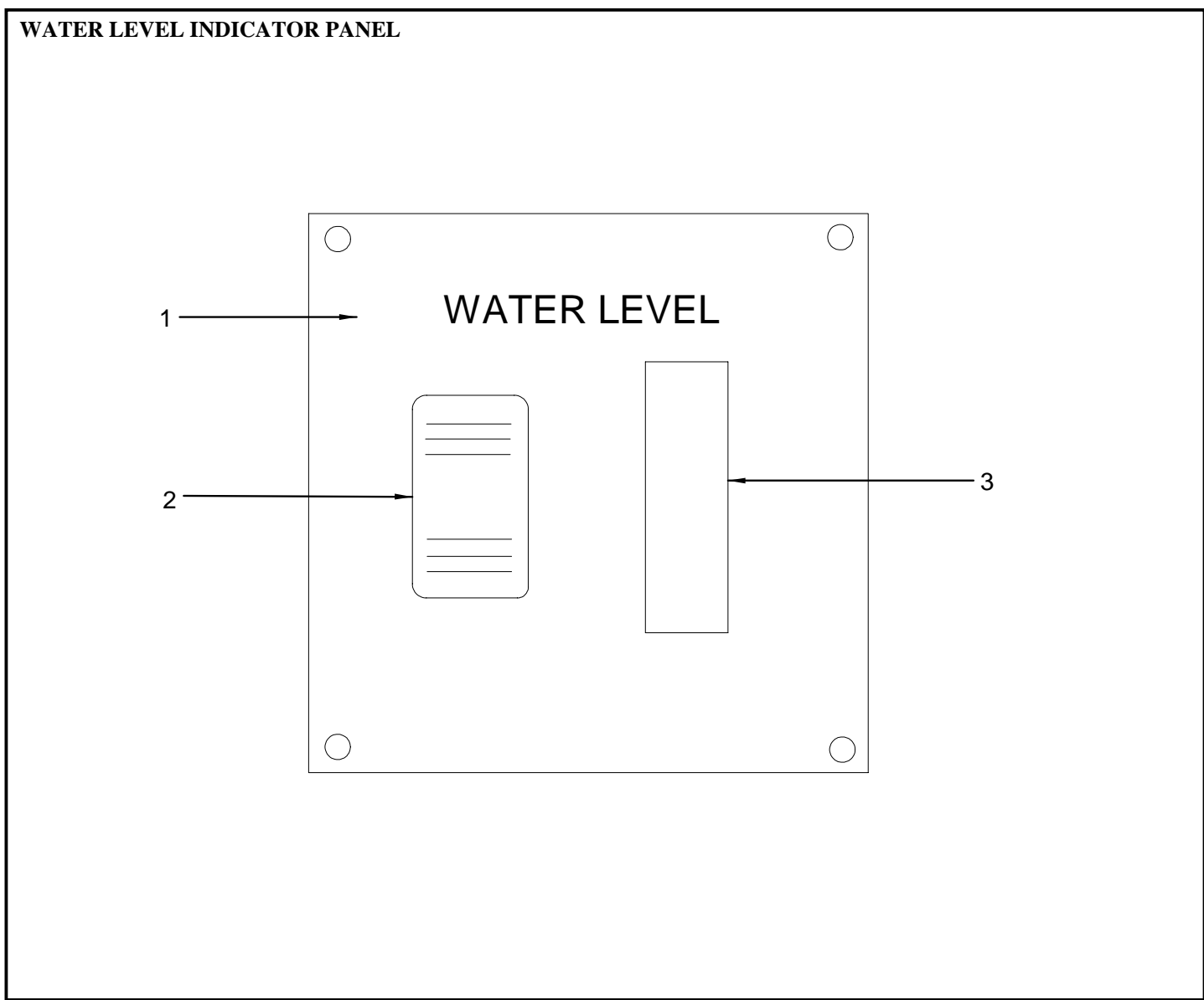


AC MAIN DISTRIBUTION PANEL 50HZ WITH GENERATOR

- 1 981050 PANEL, 290SDA-97 AC MAIN DIST W/GEN 120/60
(OPTIONAL GENERATOR)
- 1571587 PANEL, BLANK:300DA-01 MDP W/GEN OPT
(OPTIONAL GENERATOR)
- 2 731596 SLIDE ASSY, SLIDE BAR MDP PANEL
- 3 595926 BRKR/ROCK, 2-POLE AC/DC VERT 50A WHT
- 4 648873 BRKR/ROCK, 2-POLE AC/DC VERT 30A WHT
- 5 331991 BRKR/ROCK, SGL-POLE AC/DC HORZ 20A WHT
- 6 332031 BRKR/ROCK, SGL-POLE AC/DC HORZ 15A WHT
- 7 332593 BRKR/ROCK, SGL-POLE AC/DC HORZ 10A WHT
- 8 572529 LIGHT, POLARITY GRN 125V
- 9 557611 LIGHT, POLARITY RED 125V
- 10 767608 GAUGE, VOLTMETER AC 0-150 ANALOG WINDOW MT SM
- 11 981068 PANEL, 290SDA-97 AC MAIN DIST 220/50
(OPTIONAL 220V)
- 1591395 PANEL, BLANK:300DA-02 AC MAIN DIST 220/50
(OPTIONAL 220V)
- 12 440354 BRKR/ROCK, 2-POLE AC/DC VERT 20A WHT
- 13 353326 BRKR/ROCK, SGL-POLE AC/DC HORZ 5A WHT
- 14 557603 LIGHT, POLARITY GRN 220V
- 15 557629 LIGHT, POLARITY RED 220V
- 16 796334 GAUGE, VOLTMETER AC 0-300 ANALOG WINDOW MOUNT

NOT SHOWN

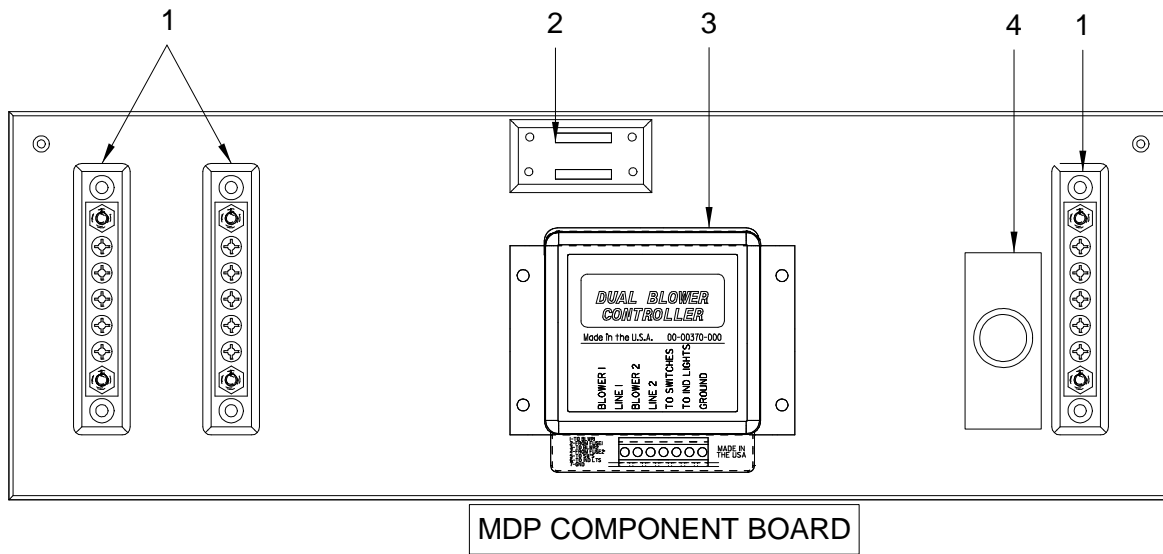
- 432872 PLUG, BRKR/ROCK



WATER LEVEL INDICATOR PANEL

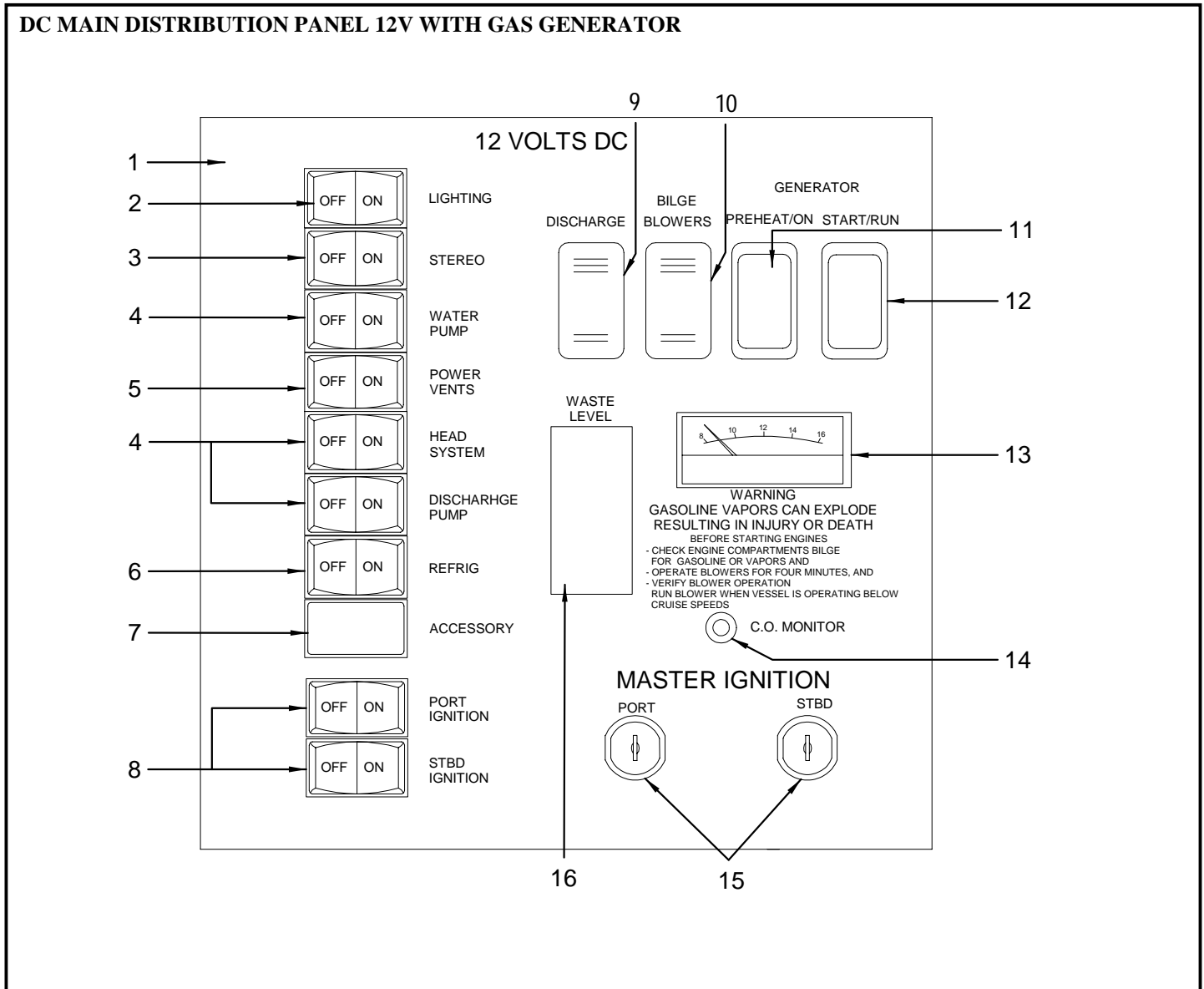
- 1 1577717 PANEL, WATER LEVEL IND
- 2 679332 BODY, ROCK SW SPST MOM
- 681486 ACTUATOR, ROCK BLK W/O LENS ACCY
- 3 806901 INDICATOR, WATER LEVEL 12V

MAIN DISTRIBUTION PANEL ACCESSORY BOARD



MAIN DISTRIBUTION PANEL ACCESSORY BOARD

- 1 1324334 BUSS BAR, MINIBUS BAR DC
- 2 894188 FUSE HOLDER, 2-FUSE BREAK-AWAY STRIP
- 3 800417 MODULE, BILGE BLOWER CONTROLLER
- 4 795583 BUSS BAR, SGL POST 5/16"



DC MAIN DISTRIBUTION PANEL 12V WITH GAS GENERATOR

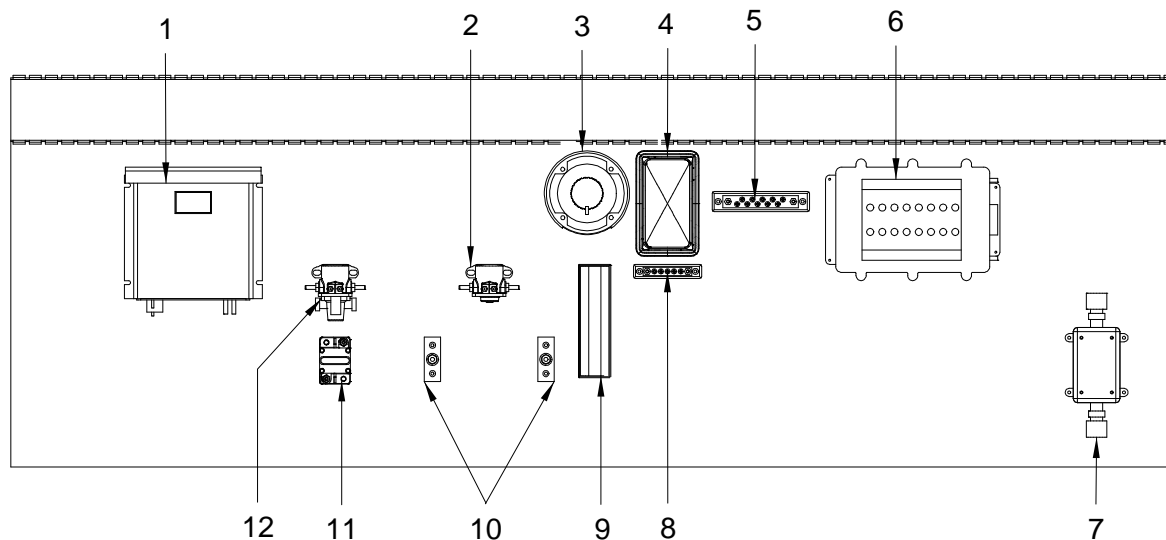
- 1 1570621 PANEL, 300DA-02 DC DIST STD (STANDARD GAS W/O GENERATOR)
- 1587450 PANEL, BLANK:300DA-02 DC DIST STD GAS
- 1587443 PANEL, 300DA-02 DC DIST W/GAS WESTERBEKE (OPTIONAL GAS GENERATOR)
- 1570233 PANEL, 300DA-02 DC DIST W/DSL WSTRBK GEN (OPTIONAL DIESEL GENERATOR)
- 1570316 PANEL, BLANK:300DA-01 DSL DC DIST
- 2 352112 BRKR/ROCK, SGL-POLE AC/DC HORZ 20A RED
- 3 355081 BRKR/ROCK, SGL-POLE AC/DC HORZ 25A RED
- 4 352013 BRKR/ROCK, SGL-POLE AC/DC HORZ 10A RED
- 5 352278 BRKR/ROCK, SGL-POLE AC/DC HORZ 7.5A RED
- 6 352062 BRKR/ROCK, SGL-POLE AC/DC HORZ 15A RED
- 7 986216 PLUG, REFER TO MRP #0432872
- 8 807016 BRKR/ROCK, SGL-POLE AC/DC HORZ 10A RED W/GUAR
- 9 648097 BODY, ROCK SW SPST BLK 12V INCAND
- 679324 ACTUATOR, ROCK BLK W/BLUE LENS ACCY
- 10 799304 BODY, ROCK SW SPST (MOM) BLK W/IND INC LAMP
- 679324 ACTUATOR, ROCK BLK W/BLUE LENS ACCY
- 11 670539 BODY, ROCK SW DPST MOM
- 681486 ACTUATOR, ROCK BLK W/O LENS ACCY
- 12 758045 BODY, ROCK SW 2 CKT PROG W/IND LMP
- 679324 ACTUATOR, ROCK BLK W/BLUE LENS ACCY
- 13 767616 GAUGE, VOLTMETER DC 8-16 ANALOG WINDOW MT SM

- 14 1181700 BRKR, P/BTN-MANUAL RESET M-SERIES 1A W/SCREW
- 15 1544188 SWITCH, KEY ASHI DENSO
- 16 893800 PANEL, WASTE LEVEL INDICATOR 12V

LABELS

- 947838 LABEL, DANGER CARBON MONOXIDE (LEXAN)
- 955278 LABEL, NOTICE OVERBOARD DISCHARGE (LEXAN)

BILGE (ELECTRICAL)



BILGE (ELECTRICAL)

NOT SHOWN

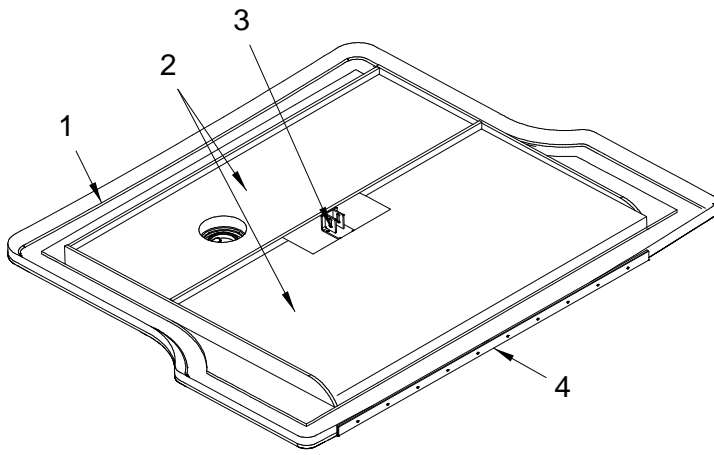
- 1 970939 CONVERTER, 20AMP 120/220 50/60HZ 12VDC FLYBK
- 2 144881 SOLENOID, EMERG START (GAS)
- 140814 SOLENOID, EMERG START (12V DSL) (DSL)
- 3 766089 SWITCH, BATTERY ON/OFF W/O LOCK W/O DISC (OPTIONAL BOW THRUSTER - INT'L & EUROPE ONLY)
- 4 822668 LIGHT, SGL DOME FLUSH MT PLAS WHT W/O SWITCH
- 5 1013614 BUSS BAR, DC GROUND 10-POSITION
- 6 1447606 MODULE, ELEC INTERFACE AFT SPORT CRUISER
- 7 144899 BOX, PVC SWITCH BOX
- 8 1324334 BUSS BAR, MINIBUS BAR DC
- 9 987446 FUSE BLOCK, BLADE TYPE ANL350/500 (OPTIONAL BOW THRUSTER - INT'L & EUROPE ONLY)
- 10 795583 BUSS BAR, SGL POST 5/16"
- 11 1184514 BRKR, SURF MNT THERMAL 100AMP MANUAL RESET (OPTIONAL WINDLASS - LOFRANS PROGRESS - ROPE / CHAIN)
- 12 644609 SOLENOID, MAGNET LATCHING 12V 100A/500A W/HDW (OPTIONAL WINDLASS - LOFRANS PROGRESS - ROPE / CHAIN)

- 154864 CONN, RING 12/10GA X 1/4R W/INSUL
- 156885 CONN, NON-MET BOAT CABLE 0.30 TO 0.60 DIA
- 161356 GROUND PLATE, DYNA 1/2"X 3"X 12"
- 192385 CONN, BATT LUG 4/0GA NEG W/NUT/BOLT
- 192393 CONN, BATT LUG 4/0GA POS W/NUT/BOLT
- 498253 COVER BASE, PLAS DUCT WIRING CVR 4"X 6' GREY
- 902916 COVER BASE, PLAS DUCT WIRING CVR 4"X 6' GRY
- 516021 ACC PART, MERC BOOT BLK (MERCATHODE)
- 1011162 WASHER, PLAS 1/4"ID X 1/2"OD X 1/4"THK BLK
- 1501782 HOSE, CONDUIT/SPLIT 1/2" FLAME RETARDANT
- 1501824 HOSE, CONDUIT/SPLIT 3/4" FLAME RETARDANT
- 1501832 HOSE, CONDUIT/SPLIT 3/8" FLAME RETARDANT
- 1501840 HOSE, CONDUIT/SPLIT 1" FLAME RETARDANT
- 1501857 HOSE, CONDUIT/SPLIT 1.5" FLAME RETARDANT
- 1502202 HOSE, CONDUIT/SPLIT 2" FLAME RETARDANT
- 1579721 HARNESS, 300DA-02 BILGE MERC GAS
- 1580034 HARNESS, 300DA-02 AC 120V
- 1581461 HARNESS, 300DA-02 BONDING

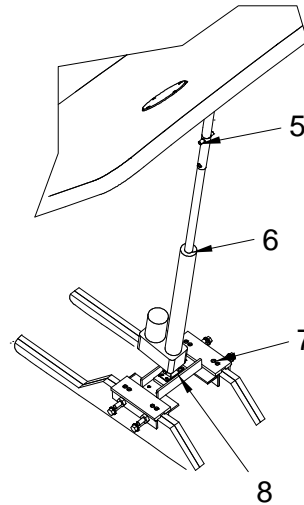
LABEL

- 1089242 LABEL, CAUTION: PRIOR TO TOWING VESSEL

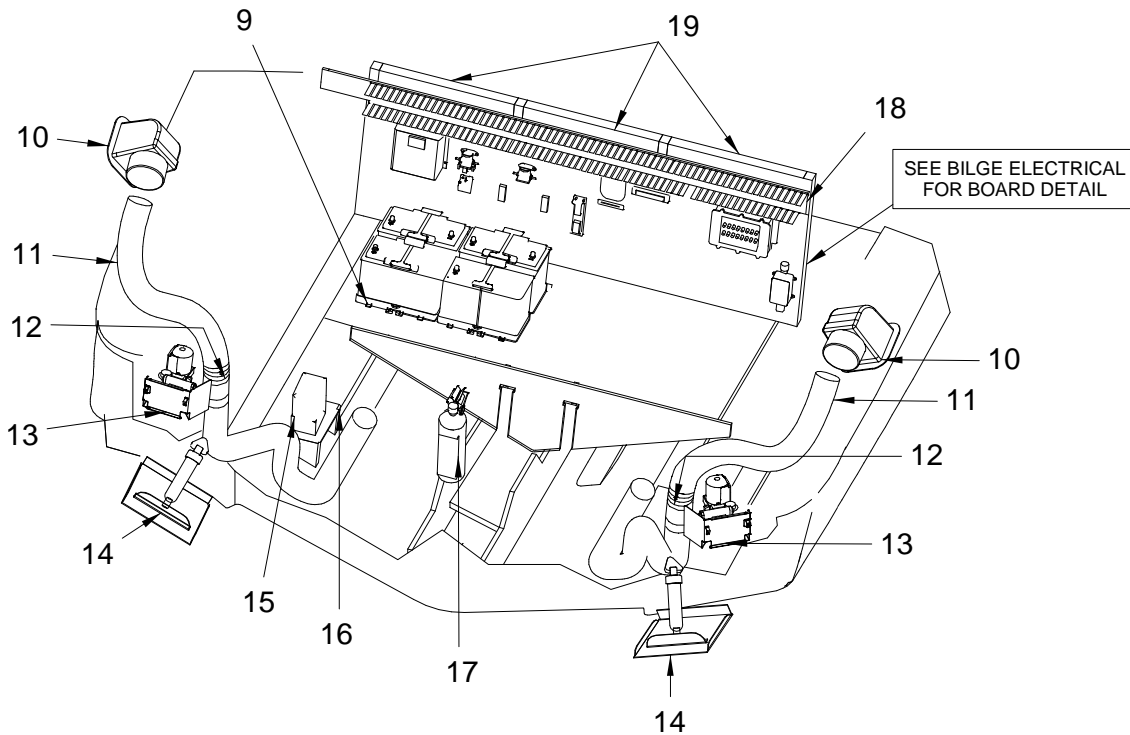
BILGE



ENGINE HATCH



HATCH ACTUATOR



BILGE

| | | |
|----|---------|---|
| 1 | 1396142 | MOLDING, FOAM RBR "D-SHAPE" 1.75" W/HAT ADH |
| 2 | 770404 | INSULATION, 2" ACOUSTICAL 4.5'X 6' ALUM |
| 3 | 992339 | BRACKET, 280BR HATCH LIFT ACT SML |
| 4 | 772566 | HINGE, SS CONT 3"X 54" 330DA-95 HATCH |
| 5 | 1589704 | TUBE, ACTUATOR EXT 300DA-02 1.25"OD X 7.25" |
| 6 | 1552041 | ACTUATOR, ELEC HATCH LIFT 18"12V 1000# CE |
| 7 | 1523414 | BRACKET, 290BR-01 HATCH LIFT ACT LRG |
| 8 | 1589746 | CHANNEL, 300DA-02 HTCH ACTUATOR 7.5" |
| | 1589787 | SHIM, HDPE 300DA-02 HATCH ACTUATOR 1/2"X2"X4" |
| 9 | 1239458 | HOLDER, BATTERY GR27/31 BLK NYLON W/SS |
| | 1592666 | BOARD, P/B 300DA-02 BATTERY MOUNTING |
| 10 | 1574706 | A/C COMP, TRANSITION BOX 4" X 4" PLAS |
| 11 | 124016 | HOSE, VENT/BLOWER 4" EX HVY DTY |
| 12 | 1587104 | BLOWER, BILGE 4" #240M W/O CONN |
| 13 | 685404 | ACC PART, MERC TRIM PUMP |
| 14 | 298737 | TRIM TAB, ASSY 12X12 SGL ACT PARA |
| 15 | 268508 | TRIM TAB, HYD PUMP KIT W/3"NIPPLE |
| | 1631001 | (HULL # 1200-1213) TRIM TAB, HYD PUMP KIT W/4"NIPPLE |
| | | (HULL # 1214-UP) |
| 16 | 667345 | SUPPORT, MOTOR MOUNT 7.5"X "L" SHAPED |
| | 1094606 | ENGINE MT, ENG STEP PAD GAS/HURTH TRANS |
| 17 | 196329 | HALON SYS, AUTOMATIC 250CF (1301 HALON) |
| | 609099 | (HULL # 1200-1230) HALON SYS, MANUAL/AUTO 250CF |
| | | (HULL # 1231-UP) |
| | 1642297 | HALON CABLE, MANUAL PULL CABLE 19' |
| | | (HULL # 1231-UP) |
| 18 | 902916 | COVER BASE, PLAS DUCT WIRING 4"X 4"X 6' GRY |
| | 498253 | COVER BASE, PLAS DUCT WIRING CVR 4"X 6' GREY |
| 19 | 163048 | INSULATION, 1" ACCOUSTICAL W/VAPOR BARRIER |

GELCOATS

| | |
|--------|------------------------------|
| 308197 | GEL COAT, GRY ENAMEL (BILGE) |
|--------|------------------------------|

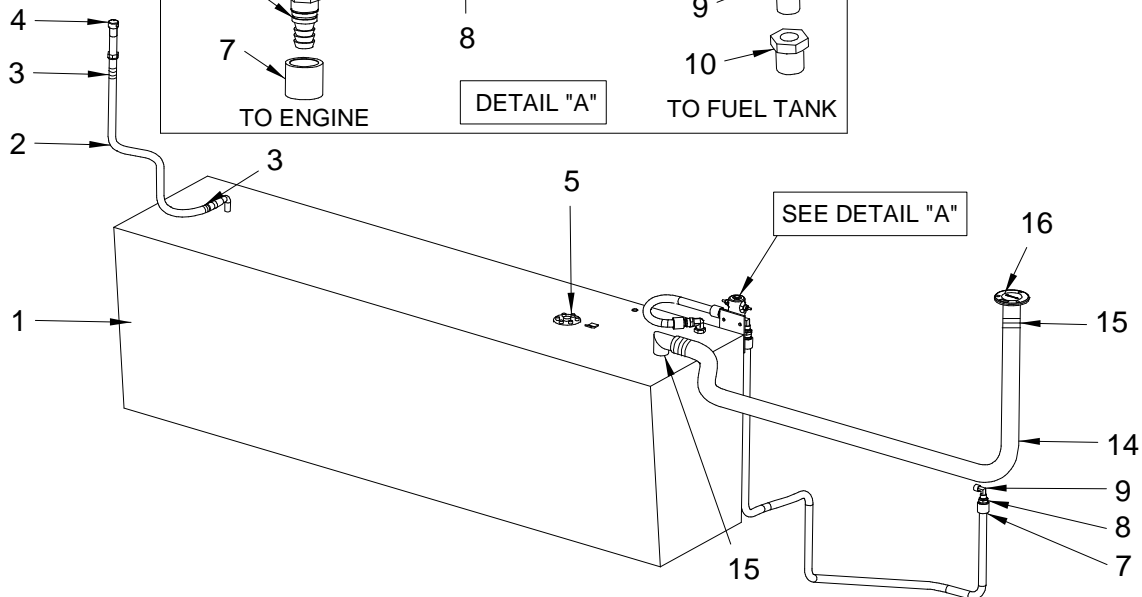
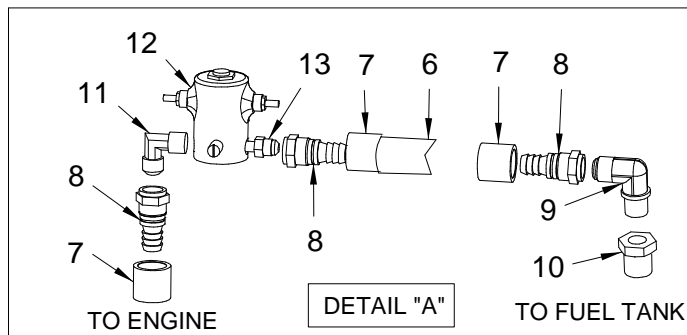
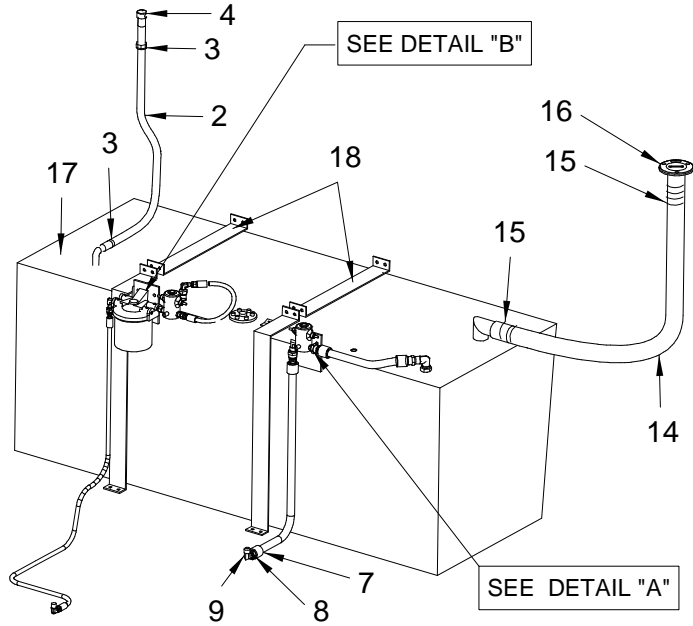
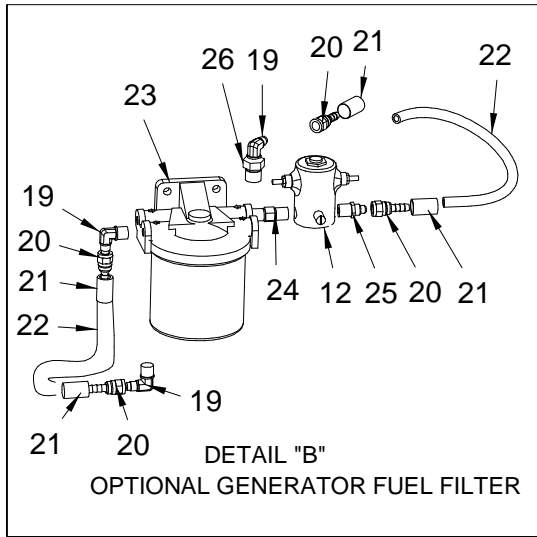
LABELS

| | |
|--------|---|
| 135095 | LABEL, NOTICE AUTO HALON SYSTEM (LEXAN) |
| 258509 | LABEL, DISCHARGE OF OIL (LEXAN) |
| 852624 | LABEL, STAY CLEAR OF MOVING PARTS |
| 852632 | LABEL, WARNING LEAKING FUEL |
| 914341 | LABEL, CHECK BATTERY CELL FLUID LEVEL |

NOT SHOWN

| | |
|--------|--|
| 123398 | CLAMP, HOSE #06M 5/16"-7/8" SS MINI |
| 123414 | CLAMP, HOSE #12M 5/8"-1.25" SS MINI |
| 123661 | CLAMP, LOOM VINYL DIP 1" |
| 123919 | HOSE, CORR BILGE 1.5" BLK |
| 261362 | CLAMP, LOOM VINYL DIP #48 3" |
| 315507 | INSULATION, VIBRACON 1" |
| 439901 | RISER, EXH KIT 6" |
| 518563 | RISER, EXH HOSE KIT 3" OR 6" |
| 518712 | CONN, BATT LUG 4/0GA POS T-TYPE |
| 518720 | CONN, BATT LUG 4/0GA NEG T-TYPE |
| 527218 | MOUNT, ALUM STRINGER 1/4" GAS |
| 650499 | BOOT, BATTERY CABLE 4/0 RED 11/16" |
| 650507 | BOOT, BATTERY CABLE 4/0 BLK 11/16" |
| 793307 | CONN, RING 4GA X 3/8R BATT/CBL COP PLTD CLSD |

FUEL SYSTEM



FUEL SYSTEM

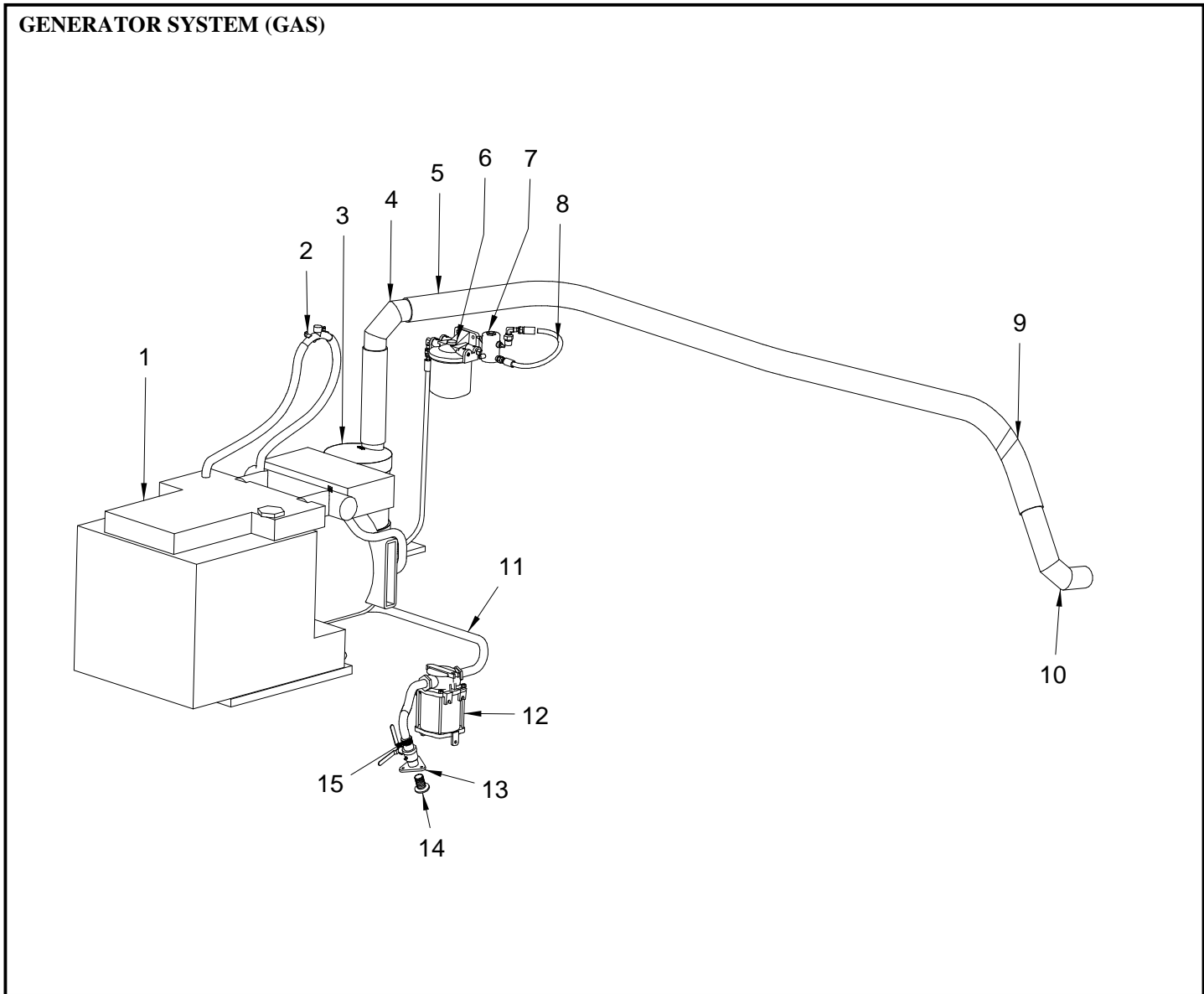
| | | |
|----|---------|---|
| 1 | 1503663 | TANK, FUEL 300DA-02 85GAL STBD |
| 2 | 947499 | HOSE, FUEL 5/8" ISO/CE |
| 3 | 256677 | CLAMP, HOSE #12 1/2"-1.25" SS .505 |
| 4 | 126888 | VENT, FUEL/WATER TANK 5/8"X 3" |
| 5 | 1577261 | SENDING UNIT, 300DA-02 |
| 6 | 1497494 | HOSE, FUEL 1/2" ISO/CE W/PLAS LINER |
| 7 | 1479294 | FERRULE, FUEL LINE 1/2"ISO/CE |
| 8 | 170605 | FITTING, BRASS 1/2"BARB/NUT |
| 9 | 169748 | ELBOW, BRASS 90DEG 1/2"SAE X 3/8"MPT |
| 10 | 184077 | BUSHING, SS THD 3/8"FPT X 1/2"MPT |
| 11 | 168955 | ELBOW, BRASS 90DEG 1/4"MPT X 1/2"SAE |
| 12 | 224329 | VALVE, BRASS FUEL SHUT-OFF ELEC 12V SKINNER |
| 13 | 169920 | ADAPTER, BRASS 1/4"MPT X 1/2"SAE |
| 14 | 123745 | HOSE, FUEL 1.5" TYPE A CLASS 2 |
| 15 | 256701 | CLAMP, HOSE #28 1 5/16"-2.25" SS .505 |
| 16 | 1109313 | DECK PLATE, GAS SS 1.5" RED CLR-CODE |
| | 522599 | KEY, DECK PLATE CAP |
| 17 | 1503671 | TANK, FUEL 300DA-02 85GAL PORT |
| 18 | 1507227 | STRAP, FUEL TANK 26"X 14.75" 300DA-02 |
| 19 | 140467 | ELBOW, BRASS 90DEG 3/8"SAE X 1/4"MPT |
| 20 | 170589 | FITTING, BRASS 3/8"BARB/NUT |
| 21 | 1478213 | FERRULE, FUEL LINE 3/8"ISO/CE |
| 22 | 1497486 | HOSE, FUEL 3/8" ISO/CE W/PLAS LINER |
| 23 | 148171 | FILTER, FUEL/WATER SEPARATOR KIT |
| 24 | 570135 | NIPPLE, BRASS 1/4"MPT X 1/4"MPT |
| 25 | 140483 | ADAPTER, BRASS 1/4"MPT X 3/8"SAE |
| 26 | 184077 | BUSHING, SS THD 3/8"FPT X 1/2"MPT |

LABELS

| | |
|--------|-----------------------------|
| 852632 | LABEL, WARNING LEAKING FUEL |
| 852632 | LABEL, WARNING LEAKING FUEL |

NOT SHOWN

| | |
|---------|---|
| 306936 | BRACKET, FUEL SHUT-OFF VALVE (SKINNER-ELEC) |
| 947499 | HOSE, FUEL 5/8" ISO/CE |
| 1199843 | BLOCK, P/B 340DA-99 FUEL VALVE MNT 3"X3"X1/2" |
| 1497452 | TAPE, FOAM NEOPRENE W/3M 9828 3/8"TH X 2"W |

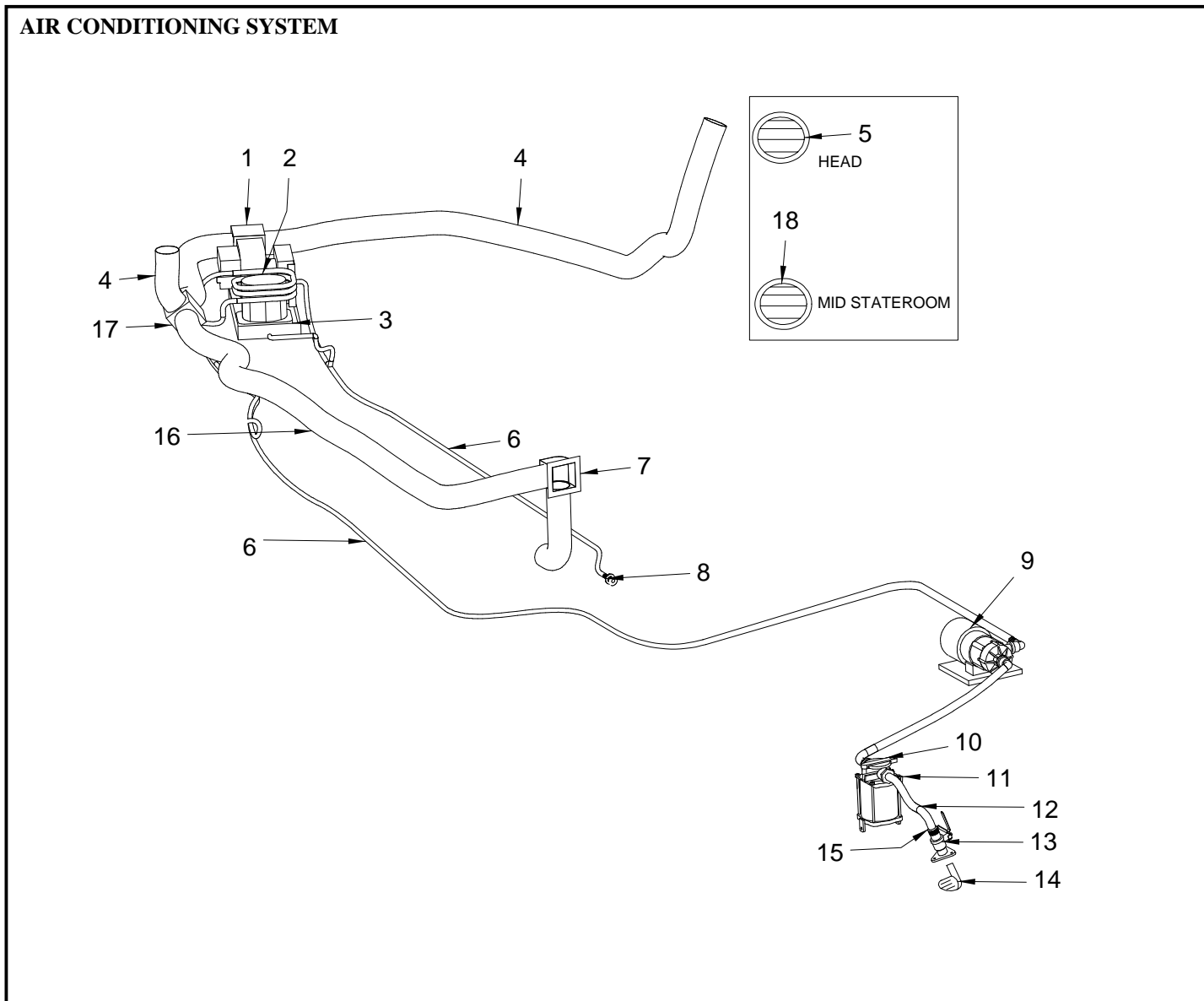


GENERATOR SYSTEM (GAS)

NOT SHOWN

- 1 1376284 GENERATOR, 4.5 KW GAS 1800 WSTRBK W/CONN
- 2 162677 SYPHON BREAK KIT, GEN EXH VAC BREAK WSTRBK
(COMES WITH GENERATOR)
- 162685 SYPHON BREAK KIT, GEN EXH TEE FITTING WSTRBK
(COMES WITH GENERATOR)
- 3 846873 MUFFLER, 2"IN X 2"OUT W/SIDE INLET (DURALIFT)
- 4 321158 EXHAUST, EL 2"X 90DEG W/2-4" & 1-2.5" LEGS
- 5 145300 HOSE, EXHAUST 2" SW
- 417717 CLAMP, HOSE #36 7/8"-2.75" SS .505
- 6 148171 FILTER, FUEL/WATER SEPARATOR KIT
- 7 224329 VALVE, BRASS FUEL SHUT-OFF ELEC 12V SKINNER
- 8 1497486 HOSE, FUEL 3/8" ISO/CE W/PLAS LINER
- 9 123604 CLAMP, LOOM VINYL DIP 2.5"
- 10 308411 EXHAUST, EL 2"X 90DEG W/20" EXT
- 11 123810 HOSE, GEN PURPOSE 3/4"
- 256677 CLAMP, HOSE #12 1/2"-1.25" SS .505
- 12 144717 STRAINER, BRZ WATER INTAKE 3/4" SPECIAL #5937
- 13 518431 SEACOCK, BRZ 3/4" W/O TAILPIECE
- 14 640300 THRU-HULL, BRZ 3/4" W/O NUT
- 15 531426 ADAPTER, BRZ 3/4"MPT X 3/4"BARB
(SEACOCK)
- 169193 ELBOW, BRZ 90DEG 3/4"MPT X 3/4"BARB
(STRAINER)

- 1587088 HARNESS, 300DA-02 WESTERBEKE GAS
- 893172 CAPACITOR, NOISE REFRIGERATOR
- 160374 MUFFLER, DRAIN PLUG



AIR CONDITIONING SYSTEM

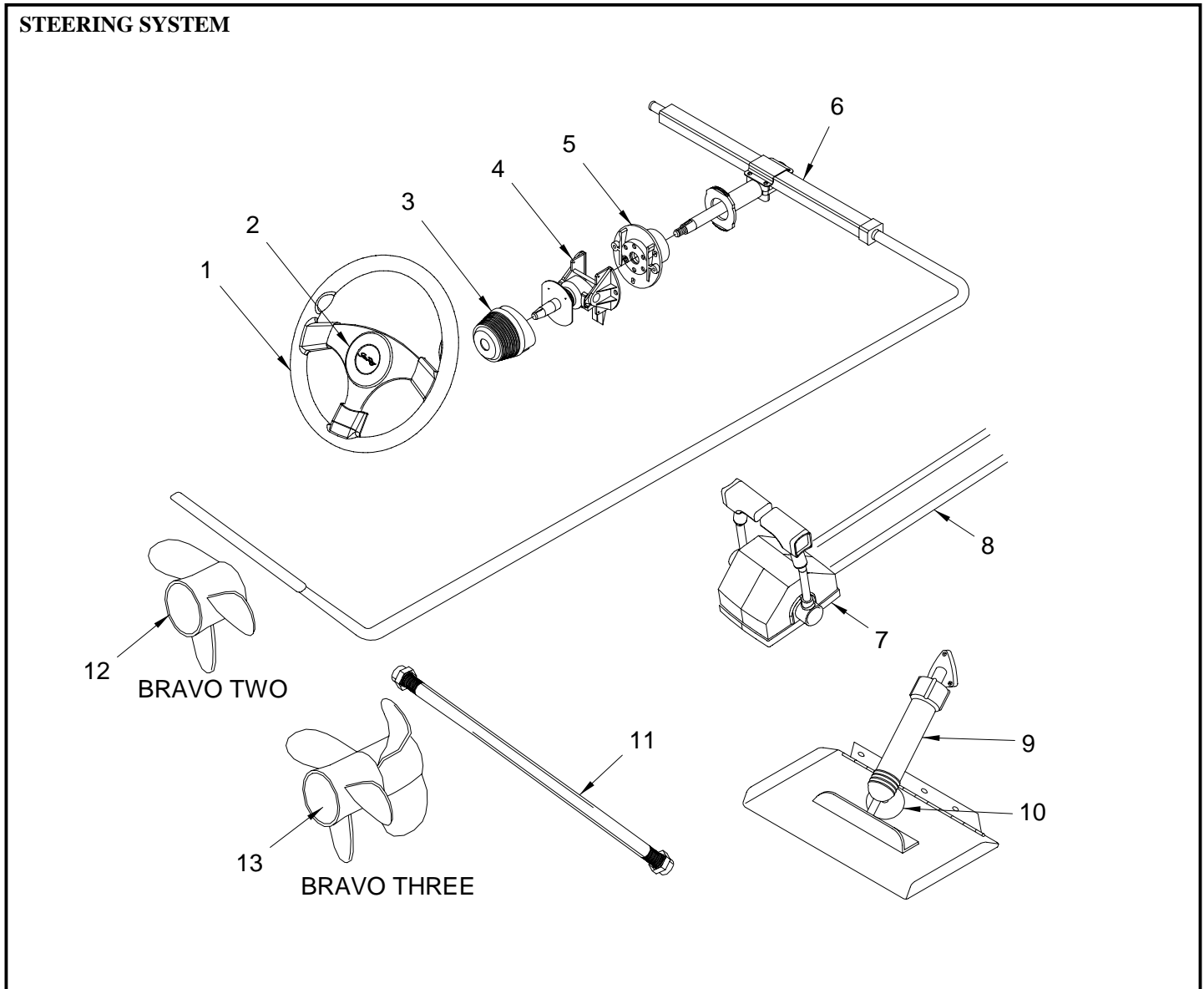
NOT SHOWN

- 1 1591064 A/C COMP, PLENUM 4\"/>
- 2 1591635 A/C COMP, 12K BTU STOWAWAY 115V SP/BLWR
- 3 989921 A/C COMP, GRILL 12X10 CLW W/FILTER
- 4 720169 HOSE, AC/DUCT 3\"/>
- 5 1322940 A/C COMP, GRILL 3\"/>
- 6 1058957 HOSE, WATER A/C WHT 5/8\"/>
- 7 1591049 A/C COMP, PLENUM 6\"/>
- 8 124487 THRU-HULL, PLAS 5/8\"/>
- 9 956128 A/C COMP, PUMP SEAWATER 115V
- 10 531426 ADAPTER, BRZ 3/4\"/>
- 11 144717 STRAINER, BRZ WATER INTAKE 3/4\"/>
- 12 123810 HOSE, GEN PURPOSE 3/4\"/>
- 13 518431 SEACOCK, BRZ 3/4\"/>
- 14 531574 PICK-UP, BRZ WATER INTAKE 3/4\"/>
- 15 531426 ADAPTER, BRZ 3/4\"/>
- 16 639856 HOSE, AC/DUCT INSULATED 4\"/>
- 17 1591056 A/C COMP, PLENUM 300DA-02 5\"/>
- 18 948281 A/C COMP, GRILL 4\"/>

- 123604 CLAMP, LOOM VINYL DIP 2.5\"/>
- 147397 COVER PLATE, CARLON BOX SGL
- 777219 VALVE, MARELON W/1/2\"/>
- 660126 A/C COMP, ECU CONTROL UNIT
- 826115 A/C COMP, QC PKG (MICROPROCESSOR CNTRL UNIT)
- 948620 A/C COMP, CORD PLUG IN SMXII - 20\"/>
- 266528 HOSE, AC/DUCT INSULATED 5\"/>

LABELS

- 852582 LABEL, UNPLUG SHORE POWER WARNING
- 938423 LABEL, 1/2\"/>

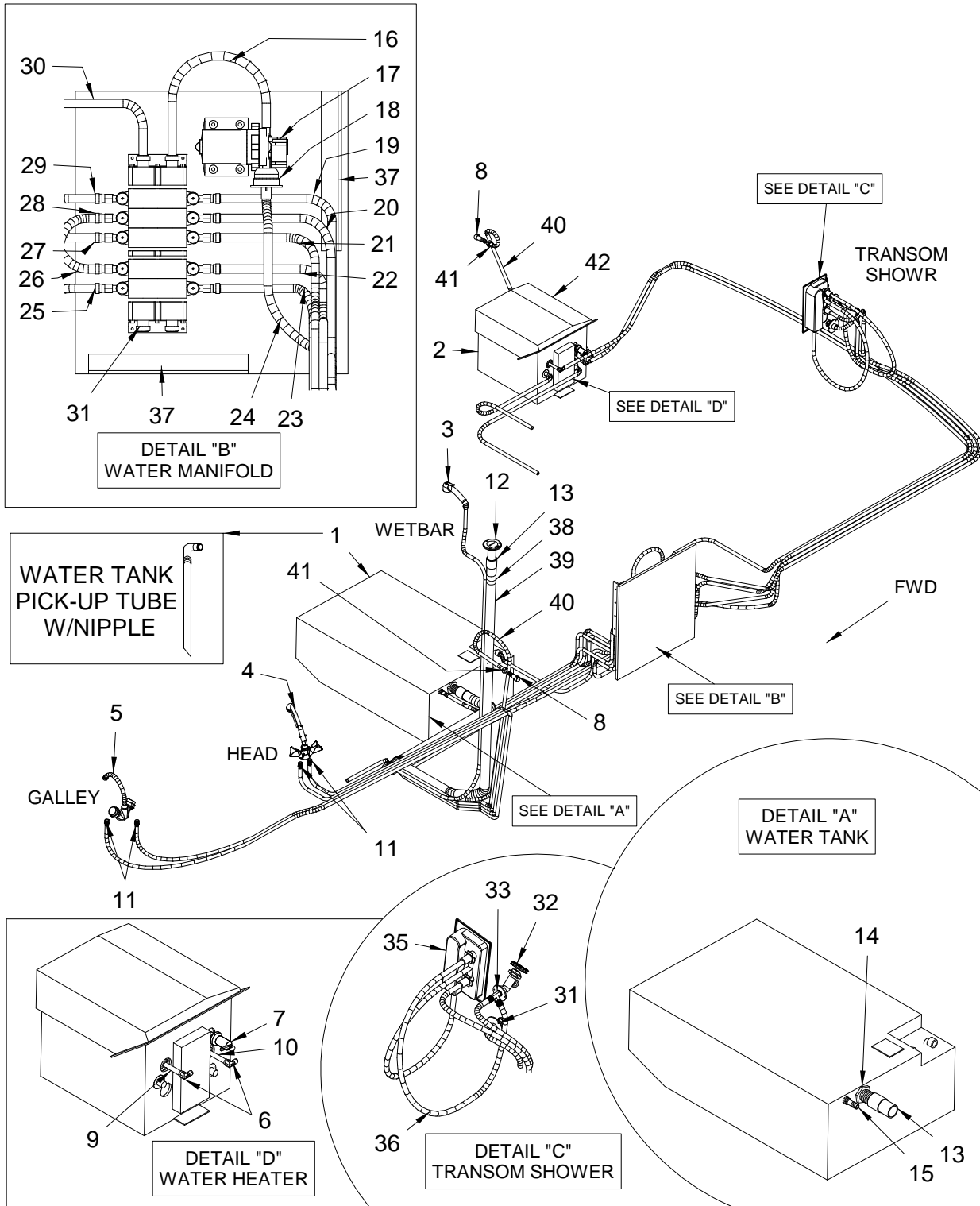


STEERING SYSTEM

- 1 1526292 STEERING WHEEL, 14.25" SPCRUIS MAHOG W/BLK
- 2 917013 EMBLEM, S/R EMB SCRIPT WHEEL GOLD-BEZEL 1.75"
- 3 126987 STEERING, MOUNT 90 DEG BEZEL ONLY
- 4 662510 STEERING, PERFORMANCE TILT MECHANISM
- 5 1092246 STEERING, TILT HELM BACK-MNT
- 6 1091941 STEERING, BACK MNT RACK/CABLE 16.5' ASSY
- 7 278184 CONTROL, THRTL/SHFT DUAL I/O
- 8 1028042 CABLE, CONTROL TELEFLEX 18' 600A/MERC SERIES
- 1028059 CABLE, CONTROL TELEFLEX 19' 600A/MERC SERIES
- 1028075 CABLE, CONTROL TELEFLEX 21' 600A/MERC SERIES
- 1028083 CABLE, CONTROL TELEFLEX 22' 600A/MERC SERIES
- 9 298737 TRIM TAB, ASSY 12X12 SGL ACT PARA
- 268508 TRIM TAB, HYD PUMP KIT W/3"NIPPLE
- 841825 SHIM, PVC TRIM TAB PUMP BLK
- 10 1410539 TRIM TAB, ZINC ONLY (ZINC3)
- 11 142083 TIE BAR, MERC V-8 TYPE 30"-46"
- 127456 TIE BAR, VOLVO TYPE
- 12 514018 (T-KAD 44P EDC/DP (T-240PHP) VOLVO S/D DSLS)
- PROP, 17.75"X 21" BR2 ALUM RH
- (T-5.0L MPI BR 2 (T-260 PHP) MCM STERN DRIVES)
- 553420 PROP, 17.75"X 21" BR2 ALUM LH
- (T-5.0L MPI BR 2 (T-260 PHP) MCM STERN DRIVES)
- 514018 PROP, 17.75"X 21" BR2 ALUM RH
- (T-5.0L EFI BR2 (T-240 PHP) MCM STERN DRIVES)
- 553420 PROP, 17.75"X 21" BR2 ALUM LH
- (T-5.0L EFI BR2 (T-240 PHP) MCM STERN DRIVES)

- 12 127431 PROP, DUAL VOLVO ALUM (A-6)
- (T-KAD 44P EDC/DP (T-240PHP) VOLVO S/D DSLS)
- 13 1360247 PROP, 14.25"X 22" CUP BR3 RH
- (T-5.0L MPI BR 3 (T-260 PHP) MCM STERN DRIVES)
- 1360239 PROP, 15.75"X 22" CUP BR3 LH
- (T-5.0L MPI BR 3 (T-260 PHP) MCM STERN DRIVES)
- 1360247 PROP, 14.25"X 22" CUP BR3 RH
- (T-5.0L EFI BR3 (T-240 PHP) MCM STERN DRIVES)
- 1360239 PROP, 15.75"X 22" CUP BR3 LH
- (T-5.0L EFI BR3 (T-240 PHP) MCM STERN DRIVES)
- 1575018 PROP, 14 3/8"X 20" SS BR3 RHC
- (T-5.7L EFI BR3 (T-260 PHP) MCM STERN DRIVES)
- 1574995 PROP, 16"X 20" SS BR3 LHC
- (T-5.7L EFI BR3 (T-260 PHP) MCM STERN DRIVES)
- 708206 PROP, 14.25"X 24" SS BR3 RH
- (T-350 MAG MPI BR 3 (T-300 PHP) STERN DRIVES)
- 708198 PROP, 15.5"X 24" SS BR3 LH
- (T-350 MAG MPI BR 3 (T-300 PHP) STERN DRIVES)
- 708206 PROP, 14.25"X 24" SS BR3 RH
- (T-MX 6.2 MPI BR 3 (T-320 PHP) MCM STERN DRIVES)
- 708198 PROP, 15.5"X 24" SS BR3 LH
- (T-MX 6.2 MPI BR 3 (T-320 PHP) MCM STERN DRIVES)
- 708180 PROP, 14.25"X 22" SS BR3 RH
- (T-D4.2L D-TRONIC BR3 (T-225PHP) STERN DR.DSLs)
- 708172 PROP, 15.75"X 22" SS BR3 LH
- (T-D4.2L D-TRONIC BR3 (T-225PHP) STERN DR.DSLs)

WATER SYSTEM



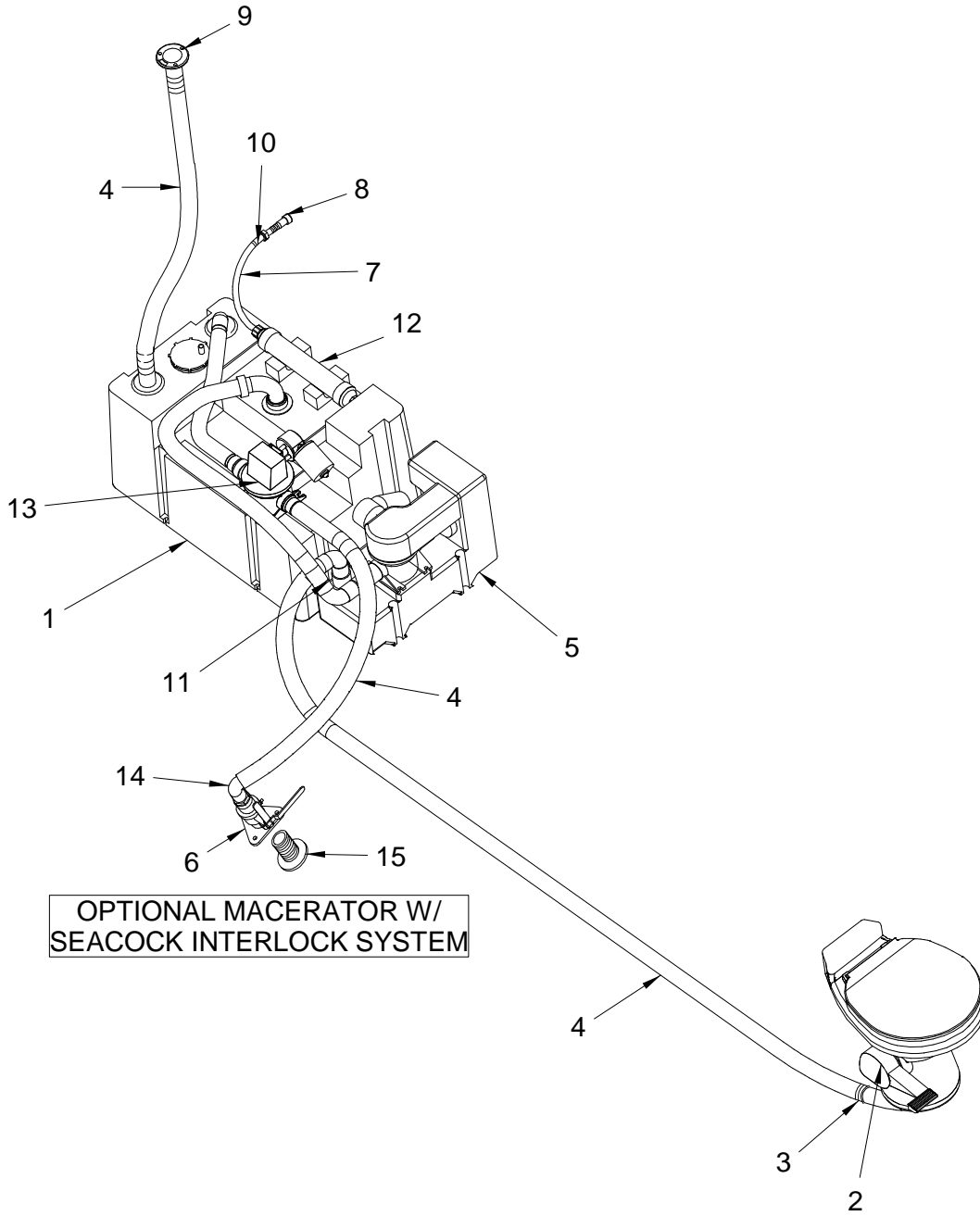
WATER SYSTEM

| | | |
|----|---------|---|
| 1 | 1515873 | TANK, WATER 300DA-02 35GAL |
| | 1127927 | SENDING UNIT, WATER 330DA-98 8" |
| | 1127935 | TUBE, PICK-UP WATER 8" 330DA 98 |
| | 1689293 | NIPPLE, UNIFLEX PLAS 1/2" UNION |
| 2 | 1142496 | HEATER, WATER 6 GAL 110/60 W/75-210T&P |
| | 1115732 | BRACE, P/B HEATER SUPPORT |
| 3 | 1408269 | SHOWER, SPRAY NOZZLE ANGLE BASE BLK W/WHT HOS |
| 4 | 1253095 | FAUCET/SHOWER, WHT/MIX W/ON/OFF FLX TAIL |
| 5 | 982173 | FAUCET, GALLEY CLASSIC SHORT SPOUT W/HANDLES |
| 6 | 169086 | ELBOW, BRASS 90DEG STREET 1/2" |
| 7 | 144675 | ADAPTER, BRASS 1/2"MPT X 5/8"BARB |
| 8 | 126888 | VENT, FUEL/WATER TANK 5/8"X 3" |
| 9 | 1425156 | NIPPLE, SEAFLEX BRS 1/2"MPT LONG |
| 10 | 1425149 | VALVE, SEAFLEX BRS CHECK 1/2"MPT |
| 11 | 1425180 | ADAPTER, SEAFLEX BRS 1/2"MPT X 3/8"COMP FAUCT |
| 12 | 1109321 | DECK PLATE, WATER SS BLUE CLR-CODE |
| 13 | 172726 | HOSE CUFF, 1.5" RH WHT |
| 14 | 814814 | ADAPTER, PVC 1.5"MPT X 1.5"BARB MACHINED |
| 15 | 168351 | ADAPTER, PVC 1/2"MPT X 1/2"BARB GREY |
| 16 | 1589373 | HOSE, SEAFLEX BLUE 1/2"X 2"W/FITTING |
| 17 | 1128164 | PUMP, FRESH WATER SHURFLO 2.8GPM IMP |
| | 1480433 | PUMP, FRESH WATER SHURFLO 2.8GPM IMP SOFT MNT |
| 18 | 406710 | FILTER, IN-LINE WATER 1/2" FPT |
| 19 | 1589381 | HOSE, SEAFLEX 300DA-02 MNIFLD-TRNSM SHWR 19'B |
| 20 | 1589399 | HOSE, SEAFLEX 300DA-02 MNIFLD-HEAD SINK 17'B |
| 21 | 1589407 | HOSE, SEAFLEX BLUE W/1/2"FPT ENDS 22' |
| 22 | 1589423 | HOSE, SEAFLEX BLUE W/1/2"FPT ENDS 9' |
| 23 | 1589431 | HOSE, SEAFLEX BLUE W/1/2"FPT ENDS 16' |
| 24 | 1589365 | HOSE, SEAFLEX BLUE W/1/2"FPT ENDS 6' |
| 25 | 1589449 | HOSE, SEAFLEX BLUE 1/2"X 18' |
| 26 | 1589464 | HOSE, SEAFLEX 300DA-02 MNIFLD-CITY WTR 14'B |
| 27 | 1589506 | HOSE, SEAFLEX 300DA-02 MNIFLD-GLY SINK 23'R |
| 28 | 1589498 | HOSE, SEAFLEX RED W/1/2" FPT ENDS 18' |
| 29 | 1589480 | HOSE, SEAFLEX 300DA-02 MNIFLD-TRNSM SHWR 14'R |
| 30 | 1589472 | HOSE, SEAFLEX 300DA-02 HOT WTR HEATR-MNIFLD |
| 31 | 1550433 | MANIFOLD, SEATECH W/7 CLD 3 HOT STYLE E |
| 32 | 1096262 | FAUCET, SILLCOCK WASHDOWN (WHITECAP) |
| 33 | 1425198 | TEE, SEAFLEX BRS 1/2"MPT |
| 34 | 141168 | INLET, WATER W/PRESS REGULATOR WHT |
| 35 | 736702 | FAUCET, WASHDOWN BOX W/MIXER (AQUATIK) VERT |
| 36 | 1589514 | HOSE, SEAFLEX 300DA-02 TRNSM SHWR TO CTY WTR |
| 37 | 836080 | BRACKET, PVC 1.5"X 1.5"X 12" 1/4"HOLES |
| 38 | 256693 | CLAMP, HOSE #24 1"-2" SS .505 |
| 39 | 490219 | HOSE, CORR SAN/WATER-FILL 1.5" RH |
| 40 | 124719 | HOSE, SANI/CHEMICAL TDX 5/8" |
| 41 | 256677 | CLAMP, HOSE #12 1/2"-1.25" SS .505 |
| 42 | 772533 | BOX, R/C 330DA-95 SHOWER CABINET |

NOT SHOWN

| | |
|---------|---|
| 1282953 | FITTING, SEATECH BRASS 1"MNFLD END STOP |
| 1429000 | NIPPLE, SEAFLEX BRS 1/2"MPT X 3/8"MPT HEX |
| 1429133 | ELBOW, SEAFLEX BRS 1/2"MNPT X 1/2"FNPT STREET |
| 1590009 | ADAPTER, SEAFLEX BRS 1/2"FPT X 1/2"MPT EXTND |
| 1590017 | NIPPLE, SEAFLEX PLAS 1/2" HEX |

SEWAGE SYSTEM



SEWAGE SYSTEM

- 1 1304856 TANK, HOLDING 28 GAL HTS W/FIL/SEND W/CONN
- 1428606 TANK, HOLDING 28 GAL W/T12PUMP/RELAY/CONN
(OPTIONAL MACERATOR W/ SEACOCK INTERLOCK SYSTEM)
- 2 1555465 HEAD, VACU-FLUSH BONE 1006 BTM DIS LOW PRFLE
- 3 256693 CLAMP, HOSE #24 1"-2" SS .505
- 4 846899 HOSE, SANI 1.5" PREMIUM RBR BLK
- 5 1302090 VACUUM GEN, HEAD SYS PUMP/ACCUM 12V W/CONN
- 6 518456 SEACOCK, BRZ 1.5" W/O TAILPIECE
(OPTIONAL MACERATOR W/ SEACOCK INTERLOCK SYSTEM)
- 1302116 SWITCH, SEACOCK INTERLOCK W/60" LEADS/CONN
(OPTIONAL MACERATOR W/ SEACOCK INTERLOCK SYSTEM)
- 7 124719 HOSE, SANI/CHEMICAL TDX 5/8"
- 8 126888 VENT, FUEL/WATER TANK 5/8"X 3"
- 9 1109347 DECK PLATE, WASTE SS BLK CLR-CODE
- 522581 DECK PLATE, CAP W/CHAIN
- 522599 KEY, DECK PLATE CAP
- 10 123406 CLAMP, HOSE #12 1/2"-1.25" SS
- 11 1590488 ELBOW, VACUUM GENERATOR II
- 12 134759 FILTER, HEAD TREATMENT SYSTEM
- 13 134858 PUMP, HEAD SYS MACERATOR
- 14 531566 ELBOW, BRZ 90DEG 1.5"MPT X 1.5"BARB
(OPTIONAL MACERATOR W/ SEACOCK INTERLOCK SYSTEM)
- 15 579870 THRU-HULL, BRZ 1.5" W/O NUT
(OPTIONAL MACERATOR W/ SEACOCK INTERLOCK SYSTEM)

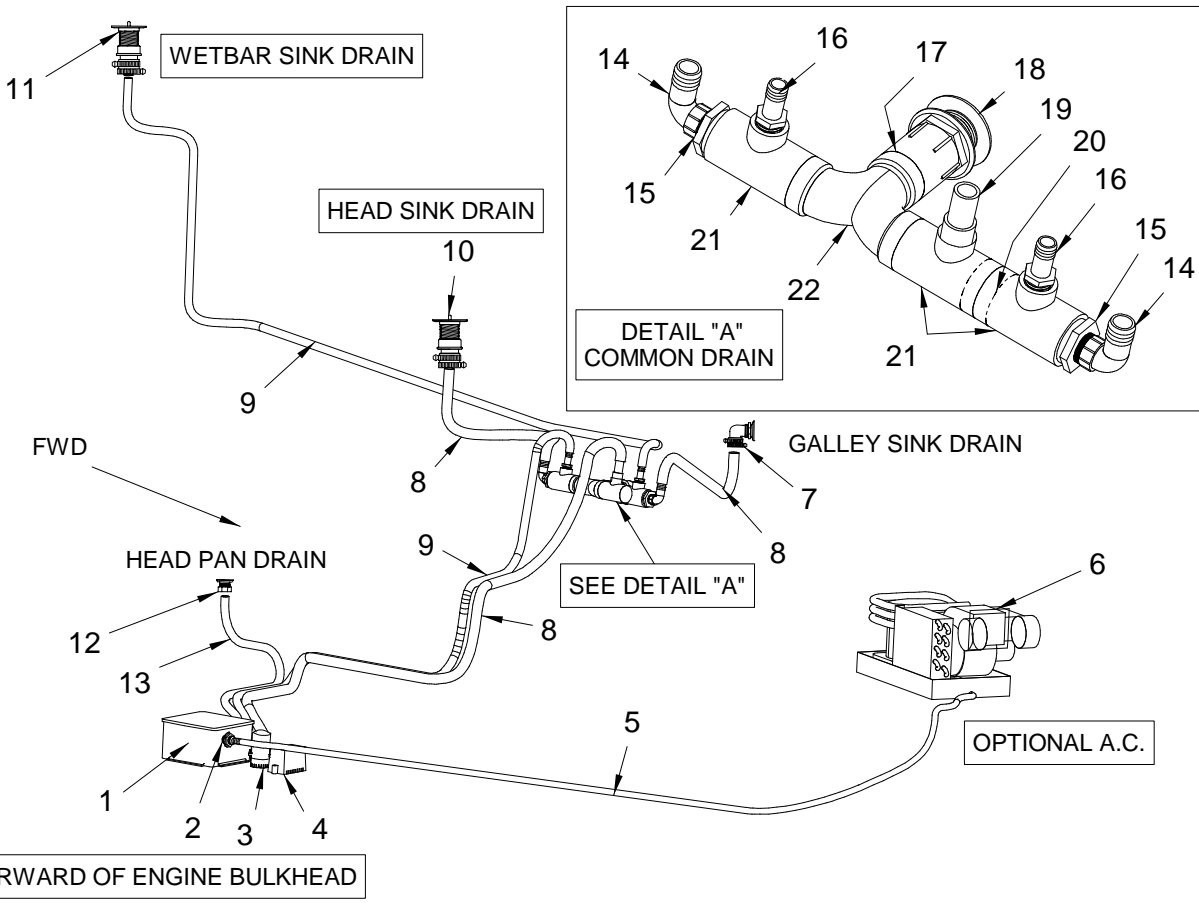
LABEL

- 955278 LABEL, NOTICE OVERBOARD DISCHARGE (LEXAN)

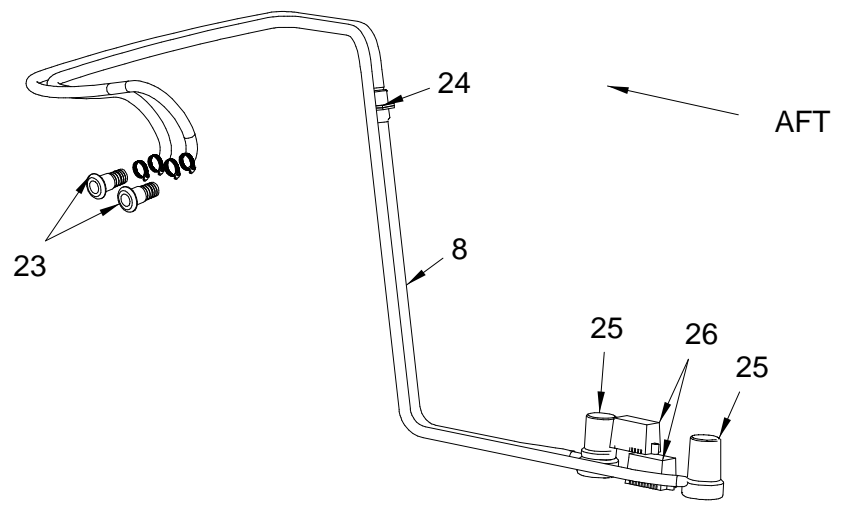
NOT SHOWN

- 123927 HOSE, CORR BILGE 1.25" BLK
- 123604 CLAMP, LOOM VINYL DIP 2.5"
- 723759 COVER, CLAMP END PROT .035"X.300-1/2"RED

DRAINAGE SYSTEM



AFT OF ENGINE BULKHEAD



DRAINAGE SYSTEM

| | | |
|----|---------|---|
| 1 | 939892 | SHOWER, SUMP ASSY 12V W/800 PUMP/CHCK VLV (HULL # 1201-1300) |
| | 1683218 | SHOWER, SUMP ASSY 12V W/800 PUMP/CHCK VLV MOD (HULL # 1301-UP) |
| 2 | 124487 | THRU-HULL, PLAS 5/8" WHT |
| 3 | 1480094 | PUMP, BILGE 1100GPH |
| 4 | 815431 | SWITCH, FLOAT SUREBAIL W/CONN |
| | 1193671 | SWITCH, FLOAT RULE W/CVR |
| 5 | 1058957 | HOSE, WATER A/C WHT 5/8" |
| 6 | 1591635 | A/C COMP, 12K BTU STOWAWAY 115V SP/BLWR |
| 7 | 266130 | DRAIN, LINER W/90 DEG ELBOW 1" PLASTIC |
| | 175687 | DRAIN, SINK STRAINER 2.5" SS |
| | 256685 | CLAMP, HOSE #16 3/4"-1.5" SS .505 |
| 8 | 675132 | HOSE, CORR SAN/WATER-FILL 1 1/8" RH |
| 9 | 123877 | HOSE, CORR SAN/WATER-FILL 3/4" |
| 10 | 146175 | DRAIN ASSY, 1.25" DRAIN W/PLUG PLASTIC |
| | 256677 | CLAMP, HOSE #12 1/2"-1.25" SS .505 |
| | 723759 | COVER, CLAMP END PROT .035"X.300-1/2"RED |
| 11 | 196618 | DRAIN, W/PLUG 100DEG 3/4"BARB WHT |
| | 256677 | CLAMP, HOSE #12 1/2"-1.25" SS .505 |
| 12 | 196782 | DRAIN ASSY, SHOWER 1.5" |
| | 344762 | DRAIN ASSY, SHOWER SLIP NUT 1.5" |
| | 256685 | CLAMP, HOSE #16 3/4"-1.5" SS .505 |
| | 723759 | COVER, CLAMP END PROT .035"X.300-1/2"RED |
| 13 | 490219 | HOSE, CORR SAN/WATER-FILL 1.5" RH |
| 14 | 168039 | ELBOW, PVC 1"MPT X 1"BARB X 90DEG |
| 15 | 698183 | BUSHING, PVC 1.5"M SLIP X 1"FPT |
| 16 | 484550 | ADAPTER, PVC 1"MPT X 3/4"BARB |
| 17 | 168344 | ADAPTER, PVC 1.5"FPT X 1.5"FM SLIP |
| 18 | 124537 | THRU-HULL, PLAS 1.5" WHT |
| 19 | 196683 | ADAPTER, PVC 1"MPT X 1"BARB |
| 20 | 149757 | PIPE, PVC SCH 40 BOE PIPE 1.5" |
| 21 | 686725 | TEE, PVC 1.5"FM SLIP X 1.5"FM SLIP X 1"FPT |
| 22 | 932780 | TEE, PVC 1.5"FM SLIP DBL SWEEP |
| 23 | 124578 | THRU-HULL, PLAS 1 1/8" WHT |
| 24 | 555375 | VALVE, CHECK WHALE 1"- 1.5" |
| 25 | 125435 | PUMP, BILGE 1500GPH |
| 26 | 1193671 | SWITCH, FLOAT RULE W/CVR |

NOT SHOWN LABELS

| | |
|--------|--------------------------------|
| 937540 | LABEL, 1/2"X 1.5" SHOWER DRAIN |
| 938431 | LABEL, 1/2"X 1.5" DISCHARGE |

T-5.7L EFI BR3 (T-260 PHP) MCM STERN DRIVES

| | |
|---------|---|
| 1086974 | OUTDRIVE UNIT, MERC BRAVO III 2:1 |
| 1575018 | PROP, 14 3/8"X 20" SS BR3 RHC |
| 1574995 | PROP, 16"X 20" SS BR3 LHC |
| 1591908 | S/D, MERC 260HP 5.7L EFI W/6" RSR BRAVO III |

T-350 MAG MPI BR 3 (T-300 PHP) STERN DRIVES

| | |
|---------|---|
| 1086990 | OUTDRIVE UNIT, MERC BRAVO III 2.20:1 |
| 708222 | PROP, 14"X 26" SS BR3 RH |
| 708206 | PROP, 14.25"X 24" SS BR3 RH |
| 708214 | PROP, 15.25"X 26" SS BR3 LH |
| 708198 | PROP, 15.5"X 24" SS BR3 LH |
| 1645167 | S/D, MERC 300HP 350MAG MPI W/6" RSR BRIII |

T-D4.2L D-TRONIC BR3 (225PHP) STERN DR.DSLS

| | |
|---------|---|
| 958140 | A/C COMP, HOSE RING 4" OBLONG |
| 169524 | ADAPTER, BRASS 3/8"MPT X 3/8"SAE |
| 1215185 | ADAPTER, SEATECH 1/2"M-15MM STEM BRASS |
| 836007 | BRACKET, ALUM 1.5"X 1.5"X 3" 3/16"HOLES |
| 147561 | BUSHING, SS THD 1/4"FPT X 1/2"MPT |
| 123398 | CLAMP, HOSE #06M 5/16"-7/8" SS MINI |
| 123612 | CLAMP, LOOM VINYL DIP 11/16" |
| 1215235 | CLIP, SEATECH COLLET 15MM |
| 723759 | COVER, CLAMP END PROT .035"X.300-1/2"RED |
| 1109339 | DECK PLATE, DSL SS 1.5" GRN CLR-CODE |
| 140459 | ELBOW, BRASS 90DEG 3/8"SAE X 1/4"FPT |
| 140467 | ELBOW, BRASS 90DEG 3/8"SAE X 1/4"MPT |
| 140418 | ELBOW, BRASS 90DEG STREET 1/4" |
| 140426 | ELBOW, BRASS 90DEG STREET 3/8" |
| 586917 | ELBOW, BRZ 45DEG 1.25"MPT X 1.25"BARB |
| 144691 | ELBOW, BRZ 90DEG 1.25"MPT X 1.25"BARB (PERKO) |
| 1214832 | ELBOW, SEATECH 90DEG EQUAL 15MM |
| 1214840 | ELBOW, SEATECH 90DEG STEM 15MM |
| 1478213 | FERRULE, FUEL LINE 3/8"ISO/CE |
| 1524065 | FILTER, REMOTE FUEL DSL (500MASR) |
| 170589 | FITTING, BRASS 3/8"BARB/NUT |
| 1540889 | GAUGE, TELE 4/1 SR-5"125PSI,240F,V,F PORT NXG |
| 1540897 | GAUGE, TELE 4/1 SR-5"125PSI,240F,V,F STBD NXG |
| 196774 | HALON SYS, ENG INTERRUPT/RESTART |
| 1579747 | HARNESS, 300DA-02 BILGE MERC DSL |
| 1497486 | HOSE, FUEL 3/8" ISO/CE W/PLAS LINER |
| 1648534 | HOSE, SEAFLEX BLUE 1/2" SW/FPT PLAS 2' |
| 1648203 | HOSE, SEAFLEX RED 1/2" SW/FPT PLAS 18' |
| 124206 | HOSE, WATER INTAKE 1.25" HW |
| 987727 | LABEL, DANGER COMBO-DSL POWERED BOAT |
| 624239 | LABEL, UPON HALON DISCHARGE SHUTDOWN ELEC SYS |
| 223388 | NIPPLE, BRASS 1/4"MPT X 2" |
| 1090943 | OUTDRIVE UNIT, MERC BRAVO III 1.81:1 |
| 1564152 | PANEL, 300DA-01 INST DIESEL W/BURL |
| 1596782 | PANEL, 300DA-02 DC DIST DSL |
| 1593037 | PANEL, 300DA-02 ENG MON D-TRONIC TWIN |
| 708180 | PROP, 14.25"X 22" SS BR3 RH |
| 708172 | PROP, 15.75"X 22" SS BR3 LH |
| 1072685 | S/D, MERC 225HP D4.2L D-TRONIC BRAVO III |
| 395665 | SENDING UNIT, ADAPTER FOR MCM530/636D-TA |
| 140814 | SOLENOID, EMERG START (12V DSL) |
| 136150 | SWITCH, BATTERY ON/OFF DSL W/DISC |
| 518464 | TAILPIECE, BRZ 1.25"MPT X 1.25"BARB |
| 1214824 | TEE, SEATECH EQUAL 15MM |
| 1054766 | VALVE, BRASS WATER HEATER TEMPERING 120-160DG |
| 140046 | VALVE, FUEL SHUT OFF DSL 1/4" |

T-5.0L EFI BR3 (T-240 PHP) MCM STERN DRIVES

| | |
|---------|--|
| 1086990 | OUTDRIVE UNIT, MERC BRAVO III 2.20:1 |
| 1360247 | PROP, 14.25"X 22" CUP BR3 RH |
| 1360239 | PROP, 15.75"X 22" CUP BR3 LH |
| 1591882 | S/D, MERC 240HP 5.0L EFI W/6" RSR BR III |

T-5.0L EFI BR2 (T-240 PHP) MCM STERN DRIVES

| | |
|---------|---|
| 1090935 | OUTDRIVE UNIT, MERC BRAVO II 2.2:1 |
| 1591874 | S/D, MERC 240HP 5.0L EFI W/6" RSR BR II |

T-KAD 44P EDC/DP (T-240PHP) VOLVO S/D DSLS

| | |
|---------|---|
| 958140 | A/C COMP, HOSE RING 4" OBLONG |
| 1663301 | ACC PART, VOLVO TRIM LIMIT CNTRL UNIT |
| 169524 | ADAPTER, BRASS 3/8"MPT X 3/8"SAE |
| 1215185 | ADAPTER, SEATECH 1/2"M-15MM STEM BRASS |
| 836007 | BRACKET, ALUM 1.5"X 1.5"X 3" 3/16"HOLES |
| 147561 | BUSHING, SS THD 1/4"FPT X 1/2"MPT |
| 1335900 | CABLE, CONTROL TELEFLEX TFXXTREME 10' |
| 1335983 | CABLE, CONTROL TELEFLEX TFXXTREME 7' |

T-KAD 44P EDC/DP (T-240PHP) VOLVO S/D DSLS (continued)

| | |
|---------|---|
| 123398 | CLAMP, HOSE #06M 5/16"-7/8" SS MINI |
| 123612 | CLAMP, LOOM VINYL DIP 11/16" |
| 1215235 | CLIP, SEATECH COLLET 15MM |
| 723759 | COVER, CLAMP END PROT .035"X.300-1/2"RED |
| 1109339 | DECK PLATE, DSL SS 1.5" GRN CLR-CODE |
| 140459 | ELBOW, BRASS 90DEG 3/8"SAE X 1/4"FPT |
| 140467 | ELBOW, BRASS 90DEG 3/8"SAE X 1/4"MPT |
| 140418 | ELBOW, BRASS 90DEG STREET 1/4" |
| 140426 | ELBOW, BRASS 90DEG STREET 3/8" |
| 586917 | ELBOW, BRZ 45DEG 1.25"MPT X 1.25"BARB |
| 144691 | ELBOW, BRZ 90DEG 1.25"MPT X 1.25"BARB (PERKO) |
| 1214832 | ELBOW, SEATECH 90DEG EQUAL 15MM |
| 1214840 | ELBOW, SEATECH 90DEG STEM 15MM |
| 1478213 | FERRULE, FUEL LINE 3/8"ISO/CE |
| 1524065 | FILTER, REMOTE FUEL DSL (500MASR) |
| 170589 | FITTING, BRASS 3/8"BARB/NUT |
| 885590 | GAUGE, BLANK:DUMMY SS BEZEL |
| 1291350 | GAUGE, OIL PRESS 0-125 2" 12V MLSS A/F |
| 1540889 | GAUGE, TELE 4/1 SR-5"125PSI,240F,V,F PORT NXG |
| 1540897 | GAUGE, TELE 4/1 SR-5"125PSI,240F,V,F STBD NXG |
| 196774 | HALON SYS, ENG INTERRUPT/RESTART |
| 1578855 | HARNESS, 300DA-02 GAUGE PANEL VOLVO DSL |
| 1579739 | HARNESS, 300DA-02 VOLVO DSL |
| 1497486 | HOSE, FUEL 3/8" ISO/CE W/PLAS LINER |
| 1648534 | HOSE, SEAFLEX BLUE 1/2" SW/FPT PLAS 2' |
| 1648203 | HOSE, SEAFLEX RED 1/2" SW/FPT PLAS 18' |
| 124206 | HOSE, WATER INTAKE 1.25" HW |
| 987727 | LABEL, DANGER COMBO-DSL POWERED BOAT |
| 624239 | LABEL, UPON HALON DISCHARGE SHUTDOWN ELEC SYS |
| 223388 | NIPPLE, BRASS 1/4"MPT X 2" |
| 1425958 | OUTDRIVE UNIT, VOLVO KAD43P/44 EDC/DP 1.68:1 |
| 1683948 | OUTDRIVE UNIT, VOLVO KAD44 EDC/DP/1"EX 1.68:1 |
| 1596790 | PANEL, 300DA-01 INST VOLVO DSL W/BURL |
| 1596782 | PANEL, 300DA-02 DC DIST DSL |
| 127431 | PROP, DUAL VOLVO ALUM (A-6) |
| 1540616 | PROP, DUAL VOLVO ALUM (B-5) |
| 1413285 | S/D, VOLVO 240PHP KAD44P EDC/DP |
| 395665 | SENDING UNIT, ADAPTER FOR MCM530/636D-TA |
| 140814 | SOLENOID, EMERG START (12V DSL) |
| 136150 | SWITCH, BATTERY ON/OFF DSL W/DISC |
| 518464 | TAILPIECE, BRZ 1.25"MPT X 1.25"BARB |
| 1214824 | TEE, SEATECH EQUAL 15MM |
| 127456 | TIE BAR, VOLVO TYPE |
| 1425941 | TRANSOM PLATE, VOLVO KAD43P KAD44 EDC/DP |
| 1054766 | VALVE, BRASS WATER HEATER TEMPERING 120-160DG |
| 140046 | VALVE, FUEL SHUT OFF DSL 1/4" |

T-MX 6.2 MPI BR 3 (T-320 PHP) MCM STERN DR

| | |
|---------|---|
| 1086990 | OUTDRIVE UNIT, MERC BRAVO III 2.20:1 |
| 1623073 | PROP, 14"X 26" SS BR3 RH CUPPED |
| 708206 | PROP, 14.25"X 24" SS BR3 RH |
| 1623065 | PROP, 15.25"X 26" SS BR3 LH CUPPED |
| 708198 | PROP, 15.5"X 24" SS BR3 LH |
| 1658459 | S/D, MERC 320HP MX6.2 MPI W/6"RSR BRIII |
| 189571 | SNAP CAP, PLAS CLEAR WASHER |

T-5.0L MPI BR 2 (T-260 PHP) MCM STERN DR

| | |
|---------|---------------------------------------|
| 1090935 | OUTDRIVE UNIT, MERC BRAVO II 2.2:1 |
| 1645175 | S/D, MERC 260HP 5.0L MPI W/6"RSR BRII |

T-5.0L MPI BR 3 (T-260 PHP) MCM STERN DR

| | |
|---------|--|
| 1086990 | OUTDRIVE UNIT, MERC BRAVO III 2.20:1 |
| 1360247 | PROP, 14.25"X 22" CUP BR3 RH |
| 1360239 | PROP, 15.75"X 22" CUP BR3 LH |
| 1645183 | S/D, MERC 260HP 5.0L MPI W/6"RSR BRIII |

CAMPER CANVAS PACKAGE

| | |
|---------|------------------------------------|
| 1591205 | CANVAS, 300DA-02 CAMP CMPLT TST |
| 1591239 | CANVAS, 300DA-02 CAMP TOP BOOT TST |

COCKPIT COVER

| | |
|---------|-------------------------------------|
| 1636588 | CANVAS, 300DA-02 CPC W/ALUM W/S TST |
|---------|-------------------------------------|

SPOTLIGHT, 5" REMOTE CONTROLLED

| | |
|--------|--|
| 775783 | BRKR, P/BTN-MANUAL RESET 15A W/SCREW TER |
| 129932 | CABLE, SPOTLIGHT CONTROL |
| 263376 | CONTROL, SEARCH LIGHT W/O HARNESS |
| 129908 | SPOTLIGHT, 5" |

MACERATOR W/ SEACOCK INTERLOCK SYSTEM

| | |
|---------|--|
| 352062 | BRKR/ROCK, SGL-POLE AC/DC HORZ 15A RED |
| 256693 | CLAMP, HOSE #24 1"-2" SS .505 |
| 723742 | COVER, CLAMP END PROT .045"X.465-1/2"RED |
| 531566 | ELBOW, BRZ 90DEG 1.5"MPT X 1.5"BARB |
| 846899 | HOSE, SANI 1.5" PREMIUM RBR BLK |
| 955278 | LABEL, NOTICE OVERBOARD DISCHARGE (LEXAN) |
| 518456 | SEACOCK, BRZ 1.5" W/O TAILPIECE |
| 1302116 | SWITCH, SEACOCK INTERLOCK W/60" LEADS/CONN |
| 1428606 | TANK, HOLDING 28 GAL W/T12PUMP/RELAY/CONN |
| 579870 | THRU-HULL, BRZ 1.5" W/O NUT |

GRAY WATER SYSTEM

| | |
|---------|---|
| 256685 | CLAMP, HOSE #16 3/4"-1.5" SS .505 |
| 123604 | CLAMP, LOOM VINYL DIP 2.5" |
| 1501840 | HOSE, CONDUIT/SPLIT 1" FLAME RETARDANT |
| 1501865 | HOSE, CONDUIT/SPLIT 1.25" FLAME RETARDANT |
| 123927 | HOSE, CORR BILGE 1.25" BLK |
| 123877 | HOSE, CORR SAN/WATER-FILL 3/4" |
| 466664 | HOSE, CORR VAC 1" RH |
| 354886 | TEE, PVC 1"BARB X 1"BARB X 1"BARB |

BOW THRUSTER

| | |
|---------|---|
| 650507 | BOOT, BATTERY CABLE 4/0 BLK 11/16" |
| 650499 | BOOT, BATTERY CABLE 4/0 RED 11/16" |
| 1587237 | BOW THRUSTER, JOYSTICK (MTR)12/24V W/ON/OFF |
| 1592401 | BOW THRUSTER, SIDE PWR 77LB THRST W/3HP MOTOR |
| 1592419 | BOW THRUSTER, TUNNEL 125X90X4MM W/SM35S ONLY |
| 130807 | CABLE, BATT BLK #2/0AWG |
| 184051 | CABLE, BATT RED #2/0AWG |
| 1123504 | CARPET, EXT 24 OZ DOE SKIN #9294 BT |
| 1579846 | CARPET, EXT 24 OZ MOCHA #9230 BT |
| 793257 | CONN, RING 2/0GA X 3/8R BATT/CBL COP PLTD CLS |
| 793273 | CONN, RING 2/0GA X 5/16R BATT/CBL COP PLTD CL |
| 987446 | FUSE BLOCK, BLADE TYPE ANL350/500 |
| 1585470 | FUSE, ANL250 IGN PROTECTED |
| 1317858 | GEL COAT, ARCTIC WHT |
| 1239458 | HOLDER, BATTERY GR27/31 BLK NYLON W/SS |
| 136150 | SWITCH, BATTERY ON/OFF DSL W/DISC |
| 766089 | SWITCH, BATTERY ON/OFF W/O LOCK W/O DISC |

BOTTOM PAINT (STERN DRIVES)

| | |
|---------|------------------------------------|
| 1355338 | PAINT, BOTTOM BLACK HYDROCOAT |
| 268292 | PAINT, LACQ OUTDRIVE PAINT KIT |
| 946152 | PAINT, PRIMER METAL #6455/044 |
| 1271147 | PAINT, PRIMER METAL #6627 |
| 868893 | PAINT, PRIMER SANDLESS #6999 |
| 325191 | PLUG, RED BRASS DRAIN PLUG 1/2"MPT |
| 298737 | TRIM TAB, ASSY 12X12 SGL ACT PARA |

COCKPIT REFRIGERATOR DUAL VOLT-220V/50-12V

| | |
|---------|---|
| 1592211 | BLKHD, LDPVC 300DA-02 AFT WET BAR FRDG OPT |
| 1592203 | BLKHD, LDPVC 300DA-02 FWD WET BAR FRDG OPT |
| 1580661 | BOARD, LDPVC 300DA-02 REFRIGERATOR SUPPORT |
| 627737 | BOX, RECEPTACLE/SWITCH PVC 1-GANG DEEP |
| 836007 | BRACKET, ALUM 1.5"X 1.5"X 3" 3/16"HOLES |
| 1181759 | BRKR/ROCK, SGL-POLE MNL RSET DC IGNPRT 15A YL |
| 1646900 | CABLE, MARINE UL BOAT 14/3 EURO |
| 256305 | RECEPTACLE, LEGRAND EXT W/CVR 220/50 GERMAN |
| 1587161 | REFRIGERATOR, 1.7 CF AC/DC ONLY 110V/220V |

ALCOHOL / ELECTRIC STOVE- 220V/50 EURO INTL

| | |
|---------|---|
| 852541 | LABEL, FUEL RECOMMENDATION/LP GAS WARNING |
| 1234913 | MOUNT, HDPE 340DA-99 ELEC STOVE F/W |
| 1324193 | STOVE, ALC/ELEC 2-BURNER 220/50 #436 |

220 VOLT / 50 CYCLE ELECTRICAL SYSTEM

| | |
|---------|--|
| 975037 | BRKR, IDEA 230V 2P EURO GFCI 16A 10MA WHT |
| 826867 | BRKR/TOGGLE, 2-POLE AC MED DELAY 25A |
| 982058 | BULB, REPL FOR CHARLY BOY 220V |
| 156885 | CONN, NON-MET BOAT CABLE 0.30 TO 0.60 DIA |
| 206268 | CORD SET, 220V/50H 16A 50FT |
| 975029 | COVER PLATE, IDEA-SERIES 3-GANG WHT |
| 893289 | FRAME, IDEA-SERIES 3-GANG SUPPORT FRAME GREY |
| 1580042 | HARNES, 300DA-02 AC 220V |
| 1156728 | HEATER, WATER 6 GAL 220/50 W/75-210T&P |
| 206276 | INLET, SHORE POWER WHT 220V/50H 16A |
| 852582 | LABEL, UNPLUG SHORE POWER WARNING |
| 1330356 | MICROWAVE, ORIGO 0.5CF 220 BLK |
| 981068 | PANEL, 290SDA-97 AC MAIN DIST 220/50 |
| 256305 | RECEPTACLE, LEGRAND EXT W/CVR 220/50 GERMAN |

220 VOLT / 50 CYCLE ELECTRICAL SYSTEM (continued)

| | |
|---------|--|
| 779462 | REFRIGERATOR, 2.0 CF AC/DC 220/50 |
| 1671064 | REFRIGERATOR, 2.7 CF AC/DC 220/50 |
| 583906 | RELAY, 240VAC 50/60 HZ 20 AMP DPDT |
| 1183003 | STOVE, ELEC 2-BURNER CARIBBEAN COOKTOP 220 |
| 975011 | SWITCH, BLANK IDEA-SERIES WHT |

AIR CONDITIONING / HEATING- 1 TON - 120V/60

| | |
|---------|---|
| 1160118 | A/C COMP, 12K BTU STOWAWAY 115V/60HZ |
| 1605443 | A/C COMP, CONN 4"HOSE |
| 948620 | A/C COMP, CORD PLUG IN SMXII - 20" |
| 660126 | A/C COMP, ECU CONTROL UNIT |
| 1055821 | A/C COMP, FACE PLATE FOR CONTROL BLK |
| 989921 | A/C COMP, GRILL 12X10 CLW W/FILTER |
| 1322940 | A/C COMP, GRILL 3" BLK W/DBL LVR |
| 948281 | A/C COMP, GRILL 4" ROUND CLW |
| 956771 | A/C COMP, HOSE ADAPT 5" PLAS ROUND |
| 948273 | A/C COMP, HOSE FITTINGS FOR PMP500 |
| 958140 | A/C COMP, HOSE RING 4" OBLONG |
| 1048834 | A/C COMP, HOSE RING 4" RND PLAS |
| 1591064 | A/C COMP, PLENUM 4" L X3"B -4"X4" |
| 1591056 | A/C COMP, PLENUM 300DA-02 5"X 4"X 4" |
| 1591049 | A/C COMP, PLENUM 6"X 5"X 5" |
| 956128 | A/C COMP, PUMP SEAWATER 115V |
| 1090422 | A/C COMP, QC PKG (CONDENSING UNIT) |
| 826115 | A/C COMP, QC PKG (MICROPROCESSOR CNTRL UNIT) |
| 531426 | ADAPTER, BRZ 3/4"MPT X 3/4"BARB |
| 522813 | BOX, RECEPTACLE PVC SURFACE MOUNT CARLON |
| 331991 | BRKR/ROCK, SGL-POLE AC/DC HORZ 20A WHT |
| 135228 | CABLE, MARINE STRANDED 14/3 BLK/GRN/WHT |
| 256677 | CLAMP, HOSE #12 1/2"-1.25" SS .505 |
| 123612 | CLAMP, LOOM VINYL DIP 11/16" |
| 123604 | CLAMP, LOOM VINYL DIP 2.5" |
| 156885 | CONN, NON-MET BOAT CABLE 0.30 TO 0.60 DIA |
| 1376474 | CONN, NYLON 1/2" FLAT CORD GRIP WATERPROOF |
| 1478841 | CONN, NYLON 1/2" ROUND SKIN TOP WATERPROOF |
| 154864 | CONN, RING 12/10GA X 1/4R W/INSUL |
| 147397 | COVER PLATE, CARLON BOX SGL |
| 723742 | COVER, CLAMP END PROT .045"X.465-1/2"RED |
| 169193 | ELBOW, BRZ 90DEG 3/4"MPT X 3/4"BARB |
| 720169 | HOSE, AC/DUCT 3" |
| 639856 | HOSE, AC/DUCT INSULATED 4" X 10" |
| 266528 | HOSE, AC/DUCT INSULATED 5" |
| 1501840 | HOSE, CONDUIT/SPLIT 1" FLAME RETARDANT |
| 1501782 | HOSE, CONDUIT/SPLIT 1/2" FLAME RETARDANT |
| 1501824 | HOSE, CONDUIT/SPLIT 3/4" FLAME RETARDANT |
| 123810 | HOSE, GEN PURPOSE 3/4" |
| 1058957 | HOSE, WATER A/C WHT 5/8" |
| 938423 | LABEL, 1/2"X 1.5" A/C CONDENSATE |
| 852582 | LABEL, UNPLUG SHORE POWER WARNING |
| 531574 | PICK-UP, BRZ WATER INTAKE 3/4" |
| 1518431 | SEACOCK, BRZ 3/4" W/O TAILPIECE |
| 144717 | STRAINER, BRZ WATER INTAKE 3/4" SPECIAL #5937 |
| 147504 | TEE, PVC 1/2" BARB ALL SIDES |
| 124487 | THRU-HULL, PLAS 5/8" WHT |
| 777219 | VALVE, MARELON W/1/2"TH-HL/BARB STRAIGHT |

AIR CONDITIONING / HEATING- 1 TON- 220V/50

| | |
|---------|--|
| 1602655 | A/C COMP, 12K BTU STOWAWAY 220V/50HZ |
| 1605443 | A/C COMP, CONN 4"HOSE |
| 948620 | A/C COMP, CORD PLUG IN SMXII - 20" |
| 660126 | A/C COMP, ECU CONTROL UNIT |
| 1055821 | A/C COMP, FACE PLATE FOR CONTROL BLK |
| 989921 | A/C COMP, GRILL 12X10 CLW W/FILTER |
| 1322940 | A/C COMP, GRILL 3" BLK W/DBL LVR |
| 948281 | A/C COMP, GRILL 4" ROUND CLW |
| 956771 | A/C COMP, HOSE ADAPT 5" PLAS ROUND |
| 948273 | A/C COMP, HOSE FITTINGS FOR PMP500 |
| 958140 | A/C COMP, HOSE RING 4" OBLONG |
| 1048834 | A/C COMP, HOSE RING 4" RND PLAS |
| 1591064 | A/C COMP, PLENUM 4" L X3"B -4"X4" |
| 1591056 | A/C COMP, PLENUM 300DA-02 5"X 4"X 4" |
| 1591049 | A/C COMP, PLENUM 6"X 5"X 5" |
| 956169 | A/C COMP, PUMP SEAWATER 230V |
| 1090422 | A/C COMP, QC PKG (CONDENSING UNIT) |
| 826115 | A/C COMP, QC PKG (MICROPROCESSOR CNTRL UNIT) |
| 531426 | ADAPTER, BRZ 3/4"MPT X 3/4"BARB |
| 522813 | BOX, RECEPTACLE PVC SURFACE MOUNT CARLON |
| 331991 | BRKR/ROCK, SGL-POLE AC/DC HORZ 20A WHT |
| 135228 | CABLE, MARINE STRANDED 14/3 BLK/GRN/WHT |
| 256677 | CLAMP, HOSE #12 1/2"-1.25" SS .505 |

AIR CONDITIONING / HEATING -1 TON- 220V/50 (continued)

| | |
|---------|---|
| 123612 | CLAMP, LOOM VINYL DIP 11/16" |
| 123604 | CLAMP, LOOM VINYL DIP 2.5" |
| 156885 | CONN, NON-MET BOAT CABLE 0.30 TO 0.60 DIA |
| 1376474 | CONN, NYLON 1/2" FLAT CORD GRIP WATERPROOF |
| 1478841 | CONN, NYLON 1/2" ROUND SKIN TOP WATERPROOF |
| 154864 | CONN, RING 12/10GA X 1/4R W/INSUL |
| 147397 | COVER PLATE, CARLON BOX SGL |
| 723742 | COVER, CLAMP END PROT .045"X.465-1/2"RED |
| 169193 | ELBOW, BRZ 90DEG 3/4"MPT X 3/4"BARB |
| 720169 | HOSE, AC/DUCT 3" |
| 639856 | HOSE, AC/DUCT INSULATED 4" X 10' |
| 266528 | HOSE, AC/DUCT INSULATED 5" |
| 1501840 | HOSE, CONDUIT/SPLIT 1" FLAME RETARDANT |
| 1501782 | HOSE, CONDUIT/SPLIT 1/2" FLAME RETARDANT |
| 1501824 | HOSE, CONDUIT/SPLIT 3/4" FLAME RETARDANT |
| 123810 | HOSE, GEN PURPOSE 3/4" |
| 1058957 | HOSE, WATER A/C WHT 5/8" |
| 938423 | LABEL, 1/2"X 1.5" A/C CONDENSATE |
| 852582 | LABEL, UNPLUG SHORE POWER WARNING |
| 531574 | PICK-UP, BRZ WATER INTAKE 3/4" |
| 518431 | SEACOCK, BRZ 3/4" W/O TAILPIECE |
| 144717 | STRAINER, BRZ WATER INTAKE 3/4" SPECIAL #5937 |
| 147504 | TEE, PVC 1/2" BARB ALL SIDES |
| 124487 | THRU-HULL, PLAS 5/8" WHT |
| 777219 | VALVE, MARELON W/1/2"TH-HL/BARB STRAIGHT |

GENERATOR-WESTERBEKE-GAS-4.5KW-120V/60

| | |
|---------|---|
| 516021 | ACC PART, MERC BOOT BLK (MERCATHODE) |
| 140483 | ADAPTER, BRASS 1/4"MPT X 3/8"SAE |
| 531426 | ADAPTER, BRZ 3/4"MPT X 3/4"BARB |
| 845438 | ADAPTER, PVC 1/2"FPT X 3/4"STRAIGHT THREAD |
| 140509 | BOOT, ENG STARTER RED |
| 147561 | BUSHING, SS THD 1/4"FPT X 1/2"MPT |
| 791392 | BUSHING, SS THD 1/4"FPT X 3/8"MPT |
| 130799 | CABLE, BATT BLK #2AWG |
| 130781 | CABLE, BATT RED #2AWG |
| 135251 | CABLE, MARINE STRANDED 8/3 |
| 893172 | CAPACITOR, NOISE REFRIGERATOR |
| 256677 | CLAMP, HOSE #12 1/2"-1.25" SS .505 |
| 417717 | CLAMP, HOSE #36 7/8"-2.75" SS .505 |
| 123695 | CLAMP, LOOM VINYL DIP #12 3/4" |
| 123604 | CLAMP, LOOM VINYL DIP 2.5" |
| 793265 | CONN, RING 2GA X 3/8R BATT/CBL COP PLTD CLSD |
| 793281 | CONN, RING 2GA X 5/16R .630 BARE ELONG CLSD |
| 723742 | COVER, CLAMP END PROT .045"X.465-1/2"RED |
| 140467 | ELBOW, BRASS 90DEG 3/8"SAE X 1/4"MPT |
| 169193 | ELBOW, BRZ 90DEG 3/4"MPT X 3/4"BARB |
| 321158 | EXHAUST, EL 2"X 90DEG W/2-4" & 1-2.5" LEGS |
| 308411 | EXHAUST, EL 2"X 90DEG W/20" EXT |
| 1478213 | FERRULE, FUEL LINE 3/8"ISO/CE |
| 148171 | FILTER, FUEL/WATER SEPARATOR KIT |
| 170589 | FITTING, BRASS 3/8"BARB/NUT |
| 308197 | GEL COAT, GRY ENAMEL (BILGE) |
| 1376284 | GENERATOR, 4.5 KW GAS 1800 WSTRBK W/CONN |
| 1587088 | HARNESS, 300DA-02 WESTERBEKE GAS |
| 1239458 | HOLDER, BATTERY GR27/31 BLK NYLON W/SS |
| 145300 | HOSE, EXHAUST 2" SW |
| 1497486 | HOSE, FUEL 3/8" ISO/CE W/PLAS LINER |
| 123810 | HOSE, GEN PURPOSE 3/4" |
| 124594 | HOSE, WATER 5/8" HVY DTY (HEATER) |
| 852582 | LABEL, UNPLUG SHORE POWER WARNING |
| 852632 | LABEL, WARNING LEAKING FUEL |
| 846873 | MUFFLER, 2"IN X 2"OUT W/SIDE INLET (DURALIFT) |
| 160374 | MUFFLER, DRAIN PLUG |
| 223388 | NIPPLE, BRASS 1/4"MPT X 2" |
| 981050 | PANEL, 290SDA-97 AC MAIN DIST W/GEN 120/60 |
| 1587443 | PANEL, 300DA-02 DC DIST W/GAS WESTERBEKE |
| 1200112 | PANEL, P/B 340DA-99 GEN COOLANT BOTTLE |
| 518431 | SEACOCK, BRZ 3/4" W/O TAILPIECE |
| 144717 | STRAINER, BRZ WATER INTAKE 3/4" SPECIAL #5937 |
| 1497452 | TAPE, FOAM NEOPRENE W/3M 9828 3/8"TH X 2"W |
| 845420 | TEE, PVC 1/2"BARB X 1/2"BARB X 1/2"MPT |
| 640300 | THRU-HULL, BRZ 3/4" W/O NUT |
| 1126754 | TIE, CABLE 15.5" SCREW MNT BLK SS BARB |
| 224329 | VALVE, BRASS FUEL SHUT-OFF ELEC 12V SKINNER |

GENERATOR-WESTERBEKE-DIESEL-5.0KW-120V/60

| | |
|--------|--|
| 516021 | ACC PART, MERC BOOT BLK (MERCATHODE) |
| 144675 | ADAPTER, BRASS 1/2"MPT X 5/8"BARB |
| 845438 | ADAPTER, PVC 1/2"FPT X 3/4"STRAIGHT THREAD |

GENERATOR-WESTERBEKE-DIESEL-5.0KW-120V/60 (continued)

| | |
|---------|---|
| 140509 | BOOT, ENG STARTER RED |
| 147561 | BUSHING, SS THD 1/4"FPT X 1/2"MPT |
| 791392 | BUSHING, SS THD 1/4"FPT X 3/8"MPT |
| 130799 | CABLE, BATT BLK #2AWG |
| 130781 | CABLE, BATT RED #2AWG |
| 135251 | CABLE, MARINE STRANDED 8/3 |
| 893172 | CAPACITOR, NOISE REFRIGERATOR |
| 256677 | CLAMP, HOSE #12 1/2"-1.25" SS .505 |
| 417717 | CLAMP, HOSE #36 7/8"-2.75" SS .505 |
| 123612 | CLAMP, LOOM VINYL DIP 11/16" |
| 123604 | CLAMP, LOOM VINYL DIP 2.5" |
| 793265 | CONN, RING 2GA X 3/8R BATT/CBL COP PLTD CLSD |
| 723742 | COVER, CLAMP END PROT .045"X.465-1/2"RED |
| 140459 | ELBOW, BRASS 90DEG 3/8"SAE X 1/4"FPT |
| 140467 | ELBOW, BRASS 90DEG 3/8"SAE X 1/4"MPT |
| 140475 | ELBOW, BRASS 90DEG 3/8"SAE X 1/8"MPT |
| 140418 | ELBOW, BRASS 90DEG STREET 1/4" |
| 170381 | ELBOW, BRZ 90DEG 1"MPT X 1"BARB |
| 595918 | ELBOW, BRZ 90DEG 3/4"MPT X 1"BARB |
| 169193 | ELBOW, BRZ 90DEG 3/4"MPT X 3/4"BARB |
| 317362 | EXHAUST, EL 2"X 60DEG |
| 321158 | EXHAUST, EL 2"X 90DEG W/2-4" & 1-2.5" LEGS |
| 1478213 | FERRULE, FUEL LINE 3/8"ISO/CE |
| 1524065 | FILTER, REMOTE FUEL DSL (500MASR) |
| 170589 | FITTING, BRASS 3/8"BARB/NUT |
| 308197 | GEL COAT, GRY ENAMEL (BILGE) |
| 1261270 | GENERATOR, 5.0 KW DSL WSTRBK W/CONN |
| 140665 | GROUND BUSS, BRASS |
| 1591627 | HARNESS, 300DA-02 WESTERBEKE DIESEL |
| 124172 | HOSE, EXHAUST 2" HW |
| 145300 | HOSE, EXHAUST 2" SW |
| 1497486 | HOSE, FUEL 3/8" ISO/CE W/PLAS LINER |
| 196667 | HOSE, GEN PURPOSE 1" |
| 852582 | LABEL, UNPLUG SHORE POWER WARNING |
| 846873 | MUFFLER, 2"IN X 2"OUT W/SIDE INLET (DURALIFT) |
| 160374 | MUFFLER, DRAIN PLUG |
| 223388 | NIPPLE, BRASS 1/4"MPT X 2" |
| 981050 | PANEL, 290SDA-97 AC MAIN DIST W/GEN 120/60 |
| 1570233 | PANEL, 300DA-02 DC DIST W/DSL WSTRBK GEN |
| 1200112 | PANEL, P/B 340DA-99 GEN COOLANT BOTTLE |
| 531368 | SEACOCK, BRZ 1" |
| 161521 | STRAINER, BRZ WTR INTAKE 1" |
| 531400 | TAILPIECE, BRZ 1"MPT X 1"BARB (CONB) |
| 1497452 | TAPE, FOAM NEOPRENE W/3M 9828 3/8"TH X 2"W |
| 845420 | TEE, PVC 1/2"BARB X 1/2"BARB X 1/2"MPT |
| 196568 | THRU-HULL, BRZ 1" |
| 1126754 | TIE, CABLE 15.5" SCREW MNT BLK SS BARB |
| 144501 | TUBING, EXH GLASS 2"X 10' |

GEL-COATED DASH - TAN

| | |
|---------|---|
| 1472802 | COMPASS, FLUSH MT 4 3/16" BLK |
| 1409911 | COVER, ABS W/S VENT ACTUATOR ZPHR |
| 1568757 | DOOR, 300DA-02 CABIN ENTRY W/MOBELLA LCK ZPHR |
| 1577568 | DOOR, HDPE 300DA-02 HELM STRG W/FRAME ZPHR |
| 1514991 | GEL COAT, MAXGUARD ZEPHYR |
| 856708 | NOSING, VINYL 1"X 1/4"X 10' RIGID MALT |
| 1163062 | STEREO, REMOTE CNTRL CHR BZL/GRY FACE |
| 1590603 | VISOR, DASH 300DA-02 ZEPHYR |

COUCH & TABLE W/ STORAGE BELOW (B)

| | |
|---------|---|
| 876979 | BASE, LEG/POST SURF MT ALUM |
| 1599000 | CANVAS, 300DA(B)-02 CARPET RUNNER SET TST |
| 1467166 | CARPET, INT 44 OZ SNOW 6FT 100% BCF NYLON |
| 129254 | CHANNEL, ALUM SLIDE TRK 7/8"X 7/16"X 12' |
| 609883 | CLEAT, PLAS 3/4"X 1"X 4" GREY |
| 1598994 | FOAM, P/C 300DA-02 SALON CUSH SET PLN B |
| 653691 | INSERT, DELRIN SLIDE W/MILLED SLOTS |
| 773630 | MESH, WHITE 54" |
| 1476753 | POST, TABLE LEG 29.75"X 2.25" ALUM RIB DBL TP |
| 945246 | PULL, ROSETTE POL SOLID BRASS 19MM |
| 180406 | SLIDE, DELRIN #5 WHT 1-S LOCK |
| 894030 | SLIDE, HDPE SALON SOFA 1"X 16" |
| 1163872 | SNAP BUTTON, W/ 1/8" BARREL |
| 1163864 | SNAP SOCKET, W/ 1/8" HOLE |
| 154369 | SNAP STUD, W/#8 X 3/8" PH SS |
| 970095 | TAMBOUR, 1/8" 4 X 8 SOVEREIGN CHERRY |
| 1211374 | TRACK, ALUM SLIDER 26" |
| 122929 | TRACK, TAMBOUR SLIDE LEFT SPIRAL |
| 996264 | TRACK, TAMBOUR SLIDE LEFT SPIRAL WHT |
| 122937 | TRACK, TAMBOUR SLIDE RIGHT SPIRAL |

COUCH & TABLE W/ STORAGE BELOW (B) (continued)

| | |
|---------|---|
| 996272 | TRACK, TAMBOUR SLIDE RIGHT SPIRAL WHT |
| 1286426 | VELCRO, DUAL LOCK CLR 1"X 50YD W/ADH BACK |
| 178442 | VELCRO, LOOP WHT 1" |
| 1142165 | VINYL, ALLANTE II WHT SAND EXP FLAT |
| 156893 | WEBBING, POLYPROPYLENE 1" BLACK |
| 180182 | ZIPPER, #5 DELRIN CONTINUOUS WHT |

SUN PAD W/ SS DECK RUNNERS - FORWARD DECK

| | |
|---------|---------------------------------|
| 1589761 | CUSH, 300DA-02 SUNPAD FWD DECK |
| 852558 | LABEL, SUN PAD WARNING UNDERWAY |
| 1574326 | RAIL, DECK RUNNER 300DA-02 P/S |

COCKPIT REFRIGERATOR DUAL VOLT- 120V/60-12V

| | |
|---------|---|
| 1592211 | BLKHD, LDPVC 300DA-02 AFT WET BAR FRDG OPT |
| 1592203 | BLKHD, LDPVC 300DA-02 FWD WET BAR FRDG OPT |
| 1580661 | BOARD, LDPVC 300DA-02 REFRIGERATOR SUPPORT |
| 627737 | BOX, RECEPTACLE/SWITCH PVC 1-GANG DEEP |
| 836007 | BRACKET, ALUM 1.5"X 1.5"X 3" 3/16"HOLES |
| 1181759 | BRKR/ROCK, SGL-POLE MNL RSET DC IGNPRT 15A YL |
| 1646900 | CABLE, MARINE UL BOAT 14/3 EURO |
| 180067 | COVER PLATE, WATERPROOF RECEPT W/2 DOORS |
| 145136 | RECEPTACLE, CORR RESISTANT GREY |
| 1587161 | REFRIGERATOR, 1.7 CF AC/DC ONLY 110V/220V |

RAYMARINE ELECTRONICS PACKAGE

| | |
|---------|--|
| 937490 | FUSE BLOCK, 10-GNG BLADE-TYPE ELECTRONICS |
| 731018 | FUSE, BLADE TYPE CLOSED 15A |
| 520668 | FUSE, BLADE TYPE CLOSED 3A |
| 731034 | FUSE, BLADE TYPE CLOSED 5A |
| 881383 | GASKET, GLOMAX TV GPS MOUNT BLK |
| 1478957 | GPS, RAYNAV 300 GPS W/WAAS SENSOR |
| 930578 | LABEL, CAUTION BUSS ELECTRONICS (LEXAN) |
| 788711 | MOUNT, ANTENNA DECK GPS SS |
| 933853 | TRANSDUCER, DEPTH RETRACTABLE VALOX RAYDATA |
| 933861 | TRANSDUCER, SPEED SELF SEALING VALOX RAYDATA |
| 1408590 | TRIDATA, RAYTHEON (DEPTH,SPEED,TEMP,LOG) |

DELETE HALON, PLUG HOLES IN DASH, NO CREDIT

| | |
|--------|----------------------|
| 137786 | PLUG, HOLE 5/16" BLK |
|--------|----------------------|

INT'L TRAILER-TWIN ENGINE - PAINTED BUNK

| | |
|---------|-------------------------------------|
| 1474600 | TRAILER, 290/310/340 PAINTED W/BUNK |
|---------|-------------------------------------|

INT'L TRAILER-TWIN ENGINE - PAINTED ROLLER

| | |
|---------|---------------------------------------|
| 1474626 | TRAILER, 290/310/340 PAINTED W/ROLLER |
|---------|---------------------------------------|

INT'L TRAILER-TWIN ENGINE - GALVANIZED BUNK

| | |
|---------|----------------------------------|
| 1474634 | TRAILER, 290/310/340 GALV W/BUNK |
|---------|----------------------------------|

INT'L TRAILER-GALVANIZED W/ ROLLER

| | |
|---------|------------------------------------|
| 1474642 | TRAILER, 290/310/340 GALV W/ROLLER |
|---------|------------------------------------|

ALCOHOL / ELECTRIC STOVE - 120V/60

| | |
|---------|---|
| 852541 | LABEL, FUEL RECOMMENDATION/LP GAS WARNING |
| 1234913 | MOUNT, HDPE 340DA-99 ELEC STOVE F/W |
| 1324185 | STOVE, ALC/ELEC 2-BURNER NON-PRESS #436 |

WINDLASS-LOFRANS PROGRESS-CHAIN

| | |
|---------|--|
| 1145275 | ANCHOR SHACKLE, JAW/JAW SWIVEL HVY DTY 3/8" |
| 140509 | BOOT, ENG STARTER RED |
| 1184514 | BRKR, SURF MNT THERMAL 100AMP MANUAL RESET |
| 130799 | CABLE, BATT BLK #2AWG |
| 130781 | CABLE, BATT RED #2AWG |
| 1048743 | CHAIN STOP, SS W/LANYARD (WINDLINE) |
| 489575 | CHAIN, HIGH TEST 5/16"X 125' |
| 579573 | CLIP, RETAINER BOAT HOOK 5/8"TO 1 1/4" |
| 793265 | CONN, RING 2GA X 3/8R BATT/CBL COP PLTD CLSD |
| 560268 | CONN, RING 6GA X 3/8R .643 W/INSUL |
| 921759 | LABEL, DANGER STAY CLEAR OF MOVING PARTS |
| 866376 | PAD, HDPE CHAIN GUARD 1/2"X 5"X 3.5" ARW |
| 896902 | ROPE/CHAIN KIT, LOFRANS 5/8"X 200'/5/16"X 25' |
| 644609 | SOLENOID, MAGNET LATCHING 12V 100A/500A W/HDW |
| 651869 | SOLENOID, MAGNET LATCHING LEAD ONLY |
| 757765 | WINDLASS FOOTSWITCH, HVY DUTY W/SAFETY CVR WHT |
| 798447 | WINDLASS SOLENOID, LOFRANS CONTROL BOX 12V |
| 896910 | WINDLASS, RP/CHN PROGI LO-PRO STD |

GENERATOR-WESTERBEKE-GAS-3.8KW-220V/50

| | |
|--------|--------------------------------------|
| 516021 | ACC PART, MERC BOOT BLK (MERCATHODE) |
| 140483 | ADAPTER, BRASS 1/4"MPT X 3/8"SAE |
| 531426 | ADAPTER, BRZ 3/4"MPT X 3/4"BARB |

GENERATOR-WESTERBEKE-GAS-3.8KW-220V/50 (continued)

| | |
|---------|---|
| 845438 | ADAPTER, PVC 1/2"FPT X 3/4"STRAIGHT THREAD |
| 140509 | BOOT, ENG STARTER RED |
| 808709 | BRKR, CIRC WSTRBK GAS GEN 15A/50HZ |
| 147561 | BUSHING, SS THD 1/4"FPT X 1/2"MPT |
| 791392 | BUSHING, SS THD 1/4"FPT X 3/8"MPT |
| 130799 | CABLE, BATT BLK #2AWG |
| 130781 | CABLE, BATT RED #2AWG |
| 135251 | CABLE, MARINE STRANDED 8/3 |
| 893172 | CAPACITOR, NOISE REFRIGERATOR |
| 256677 | CLAMP, HOSE #12 1/2"-1.25" SS .505 |
| 417717 | CLAMP, HOSE #36 7/8"-2.75" SS .505 |
| 123695 | CLAMP, LOOM VINYL DIP #12 3/4" |
| 123604 | CLAMP, LOOM VINYL DIP 2.5" |
| 793265 | CONN, RING 2GA X 3/8R BATT/CBL COP PLTD CLSD |
| 793281 | CONN, RING 2GA X 5/16R .630 BARE ELONG CLSD |
| 723742 | COVER, CLAMP END PROT .045"X.465-1/2"RED |
| 140467 | ELBOW, BRASS 90DEG 3/8"SAE X 1/4"MPT |
| 169193 | ELBOW, BRZ 90DEG 3/4"MPT X 3/4"BARB |
| 321158 | EXHAUST, EL 2"X 90DEG W/2-4" & 1-2.5" LEGS |
| 308411 | EXHAUST, EL 2"X 90DEG W/2" EXT |
| 1478213 | FERRULE, FUEL LINE 3/8"ISO/CE |
| 148171 | FILTER, FUEL/WATER SEPARATOR KIT |
| 170589 | FITTING, BRASS 3/8"BARB/NUT |
| 308197 | GEL COAT, GRY ENAMEL (BILGE) |
| 1376284 | GENERATOR, 4.5 KW GAS 1800 WSTRBK W/CONN |
| 1587088 | HARNESS, 300DA-02 WESTERBEKE GAS |
| 1239458 | HOLDER, BATTERY GR27/31 BLK NYLON W/SS |
| 145300 | HOSE, EXHAUST 2" SW |
| 1497486 | HOSE, FUEL 3/8" ISO/CE W/PLAS LINER |
| 123810 | HOSE, GEN PURPOSE 3/4" |
| 124594 | HOSE, WATER 5/8" HVY DTY (HEATER) |
| 852582 | LABEL, UNPLUG SHORE POWER WARNING |
| 852632 | LABEL, WARNING LEAKING FUEL |
| 846873 | MUFFLER, 2"IN X 2"OUT W/SIDE INLET (DURALIFT) |
| 160374 | MUFFLER, DRAIN PLUG |
| 223388 | NIPPLE, BRASS 1/4"MPT X 2" |
| 981076 | PANEL, 290SDA-97 AC MAIN DIST W/GEN 220/50 |
| 1587443 | PANEL, 300DA-02 DC DIST W/GAS WESTERBEKE |
| 1200112 | PANEL, P/B 340DA-99 GEN COOLANT BOTTLE |
| 518431 | SEACOCK, BRZ 3/4" W/O TAILPIECE |
| 144717 | STRAINER, BRZ WATER INTAKE 3/4" SPECIAL #5937 |
| 1497452 | TAPE, FOAM NEOPRENE W/3M 9828 3/8"TH X 2"W |
| 845420 | TEE, PVC 1/2"BARB X 1/2"BARB X 1/2"MPT |
| 640300 | THRU-HULL, BRZ 3/4" W/O NUT |
| 1126754 | TIE, CABLE 15.5" SCREW MNT BLK SS BARB |
| 224329 | VALVE, BRASS FUEL SHUT-OFF ELEC 12V SKINNER |

GENERATOR-WESTERBEKE-DIESEL-4.0KW-220V/50

| | |
|---------|--|
| 516021 | ACC PART, MERC BOOT BLK (MERCATHODE) |
| 144675 | ADAPTER, BRASS 1/2"MPT X 5/8"BARB |
| 845438 | ADAPTER, PVC 1/2"FPT X 3/4"STRAIGHT THREAD |
| 140509 | BOOT, ENG STARTER RED |
| 1072222 | BRKR, CIRC WSTRBK DSL GEN 20A/50HZ |
| 147561 | BUSHING, SS THD 1/4"FPT X 1/2"MPT |
| 791392 | BUSHING, SS THD 1/4"FPT X 3/8"MPT |
| 130799 | CABLE, BATT BLK #2AWG |
| 130781 | CABLE, BATT RED #2AWG |
| 135251 | CABLE, MARINE STRANDED 8/3 |
| 893172 | CAPACITOR, NOISE REFRIGERATOR |
| 256677 | CLAMP, HOSE #12 1/2"-1.25" SS .505 |
| 417717 | CLAMP, HOSE #36 7/8"-2.75" SS .505 |
| 123612 | CLAMP, LOOM VINYL DIP 11/16" |
| 123604 | CLAMP, LOOM VINYL DIP 2.5" |
| 793265 | CONN, RING 2GA X 3/8R BATT/CBL COP PLTD CLSD |
| 723742 | COVER, CLAMP END PROT .045"X.465-1/2"RED |
| 140459 | ELBOW, BRASS 90DEG 3/8"SAE X 1/4"FPT |
| 140467 | ELBOW, BRASS 90DEG 3/8"SAE X 1/4"MPT |
| 140475 | ELBOW, BRASS 90DEG 3/8"SAE X 1/8"MPT |
| 140418 | ELBOW, BRASS 90DEG STREET 1/4" |
| 170381 | ELBOW, BRZ 90DEG 1"MPT X 1"BARB |
| 595918 | ELBOW, BRZ 90DEG 3/4"MPT X 1"BARB |
| 169193 | ELBOW, BRZ 90DEG 3/4"MPT X 3/4"BARB |
| 317362 | EXHAUST, EL 2"X 60DEG |
| 321158 | EXHAUST, EL 2"X 90DEG W/2-4" & 1-2.5" LEGS |
| 1478213 | FERRULE, FUEL LINE 3/8"ISO/CE |
| 1524065 | FILTER, REMOTE FUEL DSL (500MASR) |
| 170589 | FITTING, BRASS 3/8"BARB/NUT |
| 308197 | GEL COAT, GRY ENAMEL (BILGE) |
| 1261270 | GENERATOR, 5.0 KW DSL WSTRBK W/CONN |
| 140665 | GROUND BUSS, BRASS |

GENERATOR-WESTERBEKE-DIESEL-4.0KW-220V/50 (continued)

| | |
|---------|---|
| 1591627 | HARNES, 300DA-02 WESTERBEKE DIESEL |
| 124172 | HOSE, EXHAUST 2" HW |
| 145300 | HOSE, EXHAUST 2" SW |
| 1497486 | HOSE, FUEL 3/8" ISO/CE W/PLAS LINER |
| 196667 | HOSE, GEN PURPOSE 1" |
| 852582 | LABEL, UNPLUG SHORE POWER WARNING |
| 846873 | MUFFLER, 2"IN X 2"OUT W/SIDE INLET (DURALIFT) |
| 160374 | MUFFLER, DRAIN PLUG |
| 223388 | NIPPLE, BRASS 1/4"MPT X 2" |
| 981076 | PANEL, 290SDA-97 AC MAIN DIST W/GEN 220/50 |
| 1570233 | PANEL, 300DA-02 DC DIST W/DSL WSTRBK GEN |
| 1200112 | PANEL, P/B 340DA-99 GEN COOLANT BOTTLE |
| 531368 | SEACOCK, BRZ 1" |
| 161521 | STRAINER, BRZ WTR INTAKE 1" |
| 531400 | TAILPIECE, BRZ 1"MPT X 1"BARB (CONB) |
| 1497452 | TAPE, FOAM NEOPRENE W/3M 9828 3/8"TH X 2"W |
| 845420 | TEE, PVC 1/2"BARB X 1/2"BARB X 1/2"MPT |
| 196568 | THRU-HULL, BRZ 1" |
| 1126754 | TIE, CABLE 15.5" SCREW MNT BLK SS BARB |
| 144501 | TUBING, EXH GLASS 2"X 10" |

WINDLASS - LOFRANS PROGRESS - ROPE / CHAIN

| | |
|---------|--|
| 140509 | BOOT, ENG STARTER RED |
| 1184514 | BRKR, SURF MNT THERMAL 100AMP MANUAL RESET |
| 130799 | CABLE, BATT BLK #2AWG |
| 130781 | CABLE, BATT RED #2AWG |
| 579573 | CLIP, RETAINER BOAT HOOK 5/8"TO 1 1/4" |
| 793265 | CONN, RING 2GA X 3/8R BATT/CBL COP PLTD CLSD |
| 560268 | CONN, RING 6GA X 3/8R .643 W/INSUL |
| 921759 | LABEL, DANGER STAY CLEAR OF MOVING PARTS |
| 1569938 | PAD, HDPE 300DA-02 ANCHOR GUARD ARC/WHT |
| 896902 | ROPE/CHAIN KIT, LOFRANS 5/8"X 200'/5/16"X 25' |
| 644609 | SOLENOID, MAGNET LATCHING 12V 100A/500A W/HWD |
| 651869 | SOLENOID, MAGNET LATCHING LEAD ONLY |
| 757765 | WINDLASS FOOTSWITCH, HVY DUTY W/SAFETY CVR WHT |
| 798447 | WINDLASS SOLENOID, LOFRANS CONTROL BOX 12V |
| 896910 | WINDLASS, RP/CHN PROGI LO-PRO STD |

C E OPTION GROUP

| | |
|---------|--|
| 256693 | CLAMP, HOSE #24 1"-2" SS .505 |
| 934984 | FIRE EXT SYS, FM200 250CF GAS/DSL-AUTO |
| 1642271 | FIRE EXT SYS, FM200 250CF GAS/DSL-MAN/AUTO |
| 1501857 | HOSE, CONDUIT/SPLIT 1.5" FLAME RETARDANT |
| 490219 | HOSE, CORR SAN/WATER-FILL 1.5" RH |
| 937615 | LABEL, 7/16"X 7/8" SALON |
| 756866 | LABEL, BILGE (LEXAN) |
| 934539 | LABEL, PREVENT DISCHARGE OF POLLUTANTS |
| 1253616 | MANUAL, OWNERS - INT'L 12-LANGUAGE |
| 982223 | PANEL, P/B 290SDA-97 MANUAL BILGE PUMP OPT |
| 976415 | PLATE, CE OPT B:12PERSON/1360KG |
| 604959 | PUMP, BILGE 16GPM MANUAL THRU DECK MNT |
| 529016 | PUMP, BILGE 16GPM MANUAL TWO POS |
| 801563 | PUMP, BILGE MANUAL PICKUP/STRAINER |
| 124537 | THRU-HULL, PLAS 1.5" WHT |
| 141721 | VALVE, DIVERTER 1.5" |

2.20 TO 1 BRAVO 3 HIGH ALTITUDE GEAR RATIO

| | |
|---------|--------------------------------------|
| 1086990 | OUTDRIVE UNIT, MERC BRAVO III 2.20:1 |
|---------|--------------------------------------|

2.2 TO 1 BRAVO 2 HIGH ALTITUDE GEAR RATIO

| | |
|---------|------------------------------------|
| 1090935 | OUTDRIVE UNIT, MERC BRAVO II 2.2:1 |
|---------|------------------------------------|

OWNER ORIENTATION VIDEO - PAL FORMAT

| | |
|---------|---|
| 1510551 | VIDEO, 01 CANVAS INSTALLATION SPCRUISER PAL |
| 968354 | VIDEO, 97 OWNER ORIENTATION SPCRUISER PAL |

TV / VCR COMBO - 120V/60

| | |
|---------|---|
| 1180041 | ANTENNA, TV AMP W/SHIP/SHORE A/B SW 12/24VDC |
| 792325 | ANTENNA, TV GLOMAX ASSY W/CONN |
| 294926 | BASE, TV PULL-OUT SWIVEL ONLY |
| 1580885 | BLKHD, LDPVC 300DA-02 TRNSM WALL SHRPWR TV |
| 627737 | BOX, RECEPTACLE/SWITCH PVC 1-GANG DEEP |
| 864306 | CONN, COAX 'F' TWIST-ON |
| 145011 | CONN, COAX TV CABLE MALE |
| 136085 | CORD SET, TV CABLE 50FT |
| 145078 | COVER PLATE, SGL DUPLEX RECEPT BRN |
| 881383 | GASKET, GLOMAX TV GPS MOUNT BLK |
| 133694 | INLET, PHONE/TV CABLE COMBO WHT |
| 328864 | LABEL, SECURE TELEVISION (LEXAN) |
| 808766 | PLATE, PLEX 330DA PULLOUT TV BASE FACE W/LTCH |

TV / VCR COMBO - 120V/60 (continued)

| | |
|---------|---|
| 145094 | RECEPTACLE, DUPLEX BRN 15A |
| 695957 | SPLITTER, 2-WAY HYBRID TV/SPLITTER COMBINER |
| 1612845 | TV/VCR, 13" PANASONIC BLK W/REMOTE/RADIO 4-HD |

TV / VCR COMBO - MULTISYSTEM - 220V/50

| | |
|---------|---|
| 1180041 | ANTENNA, TV AMP W/SHIP/SHORE A/B SW 12/24VDC |
| 792325 | ANTENNA, TV GLOMAX ASSY W/CONN |
| 294926 | BASE, TV PULL-OUT SWIVEL ONLY |
| 1580885 | BLKHD, LDPVC 300DA-02 TRNSM WALL SHRPWR TV |
| 864306 | CONN, COAX 'F' TWIST-ON |
| 637058 | CONN, COAX EURO TV ADAPTER "F" TYPE |
| 145011 | CONN, COAX TV CABLE MALE |
| 136085 | CORD SET, TV CABLE 50FT |
| 881383 | GASKET, GLOMAX TV GPS MOUNT BLK |
| 133694 | INLET, PHONE/TV CABLE COMBO WHT |
| 328864 | LABEL, SECURE TELEVISION (LEXAN) |
| 808766 | PLATE, PLEX 330DA PULLOUT TV BASE FACE W/LTCH |
| 256305 | RECEPTACLE, LEGRAND EXT W/CVR 220/50 GERMAN |
| 695957 | SPLITTER, 2-WAY HYBRID TV/SPLITTER COMBINER |
| 1524578 | TV/VCR, 14" SHARP (EURO) 220V/50 |

RAYMARINE ST-60 TRIDATA

| | |
|---------|--|
| 933853 | TRANSDUCER, DEPTH RETRACTABLE VALOX RAYDATA |
| 933861 | TRANSDUCER, SPEED SELF SEALING VALOX RAYDATA |
| 1408590 | TRIDATA, RAYTHEON (DEPTH,SPEED,TEMP,LOG) |

RADAR - RL70RC W/ GPS & RAYCHART PLOTTER

| | |
|---------|---|
| 1523901 | ACCESS PLATE, PLAS SPOILER 8.75" ARW |
| 1181775 | BRKR/ROCK, SGL-POLE MNL RSET DC IGNPRT 50A YL |
| 1526300 | CABLE, SEATALK 10 METER (FOR RADAR ONLY) |
| 184648 | CONN, COUPLER TYPE PL-258 |
| 184655 | CONN, PLUG TYPE PL-259 W/CTR PIN |
| 1539055 | EXTENSION, CABLE 5METER SEATALK (RADAR ONLY) |
| 122853 | FITTING, WATER TIGHT OUTLET FOR 5/16" CABLE |
| 937490 | FUSE BLOCK, 10-GNG BLADE-TYPE ELECTRONICS |
| 731000 | FUSE, BLADE TYPE CLOSED 10A |
| 520668 | FUSE, BLADE TYPE CLOSED 3A |
| 1314871 | GPS, RAYSTAR 112LP SENSOR SEATALK |
| 140665 | GROUND BUSS, BRASS |
| 156018 | GROUND PLATE, DYNA 1/2"X 2"X 6" |
| 751339 | LIGHT, NAV MASTHEAD COMBO 20" FOLD-DOWN |
| 1625086 | MOUNT, SS SCANNER (RADAR DOME MNT) |
| 1476159 | RADAR, RAYTHEON 2KW 18" RADAR DOME W/O CABLE |
| 1476142 | RADAR, RAYTHEON RL70RC 7" LCD DISP W/RAYCHART |
| 533430 | VENT, CLAMSHLL ROPE LCKR 2"X2" |

COCKPIT REFRIGERATOR - 12V

| | |
|---------|---|
| 1592211 | BLKHD, LDPVC 300DA-02 AFT WET BAR FRDG OPT |
| 1592203 | BLKHD, LDPVC 300DA-02 FWD WET BAR FRDG OPT |
| 1580661 | BOARD, LDPVC 300DA-02 REFRIGERATOR SUPPORT |
| 836007 | BRACKET, ALUM 1.5"X 1.5"X 3" 3/16"HOLES |
| 1181759 | BRKR/ROCK, SGL-POLE MNL RSET DC IGNPRT 15A YL |
| 1580844 | PLATE, HDPE 300DA-02 REFRIGERATOR VENT |
| 788729 | REFRIGERATOR, 1.6 CFC FREE |
| 1684183 | REFRIGERATOR, 1.7 CF 12V ONLY |

WINDSHIELD W/ STAINLESS STEEL FRAME

| | |
|---------|---------------------------------------|
| 1584515 | CANVAS, 300DA-02 BIM TOP W/VAL TST |
| 1584523 | CANVAS, 300DA-02 SIDE CURT SET TST |
| 1584531 | CANVAS, 300DA-02 VSR CURT 3PC CLR/TST |
| 1574292 | W/S, 300DA-02 SS COMP W/SNAPS |

INSTALL WINDSHIELD & ARCH - INT'L SHIPMENT

| | |
|---------|------------------------------------|
| 1584515 | CANVAS, 300DA-02 BIM TOP W/VAL TST |
|---------|------------------------------------|

BLACK CANVAS OPTION

| | |
|---------|---|
| 1654995 | CANVAS, 300DA-02 BIM TOP BOOT BLK |
| 1654987 | CANVAS, 300DA-02 BIM TOP FAB BLK |
| 1662527 | CANVAS, 300DA-02 BIM TOP W/ALUM W/S BLK |
| 1655125 | CANVAS, 300DA-02 SIDE CURT/ALUM W/S BLK |
| 1655034 | CANVAS, 300DA-02 SNSHD AFT CURT BLK |
| 1655000 | CANVAS, 300DA-02 SNSHD TOP BLK |
| 1660976 | CANVAS, 300DA-02 VSR W/ALUM W/S 3PC CLR/BLK |
| 140244 | CATCH, SGL ROLLER WHT NYLON W/STRIKE LRG |

"335DA" MODEL DESIGNATORS

| | |
|---------|---|
| 1675057 | EMBLEM, MODEL DESG 335 URETHANE BLK/CHR |
|---------|---|