



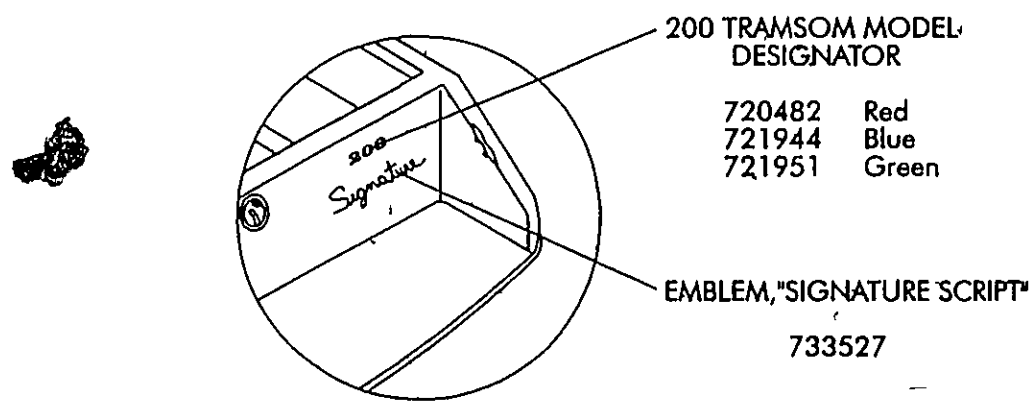
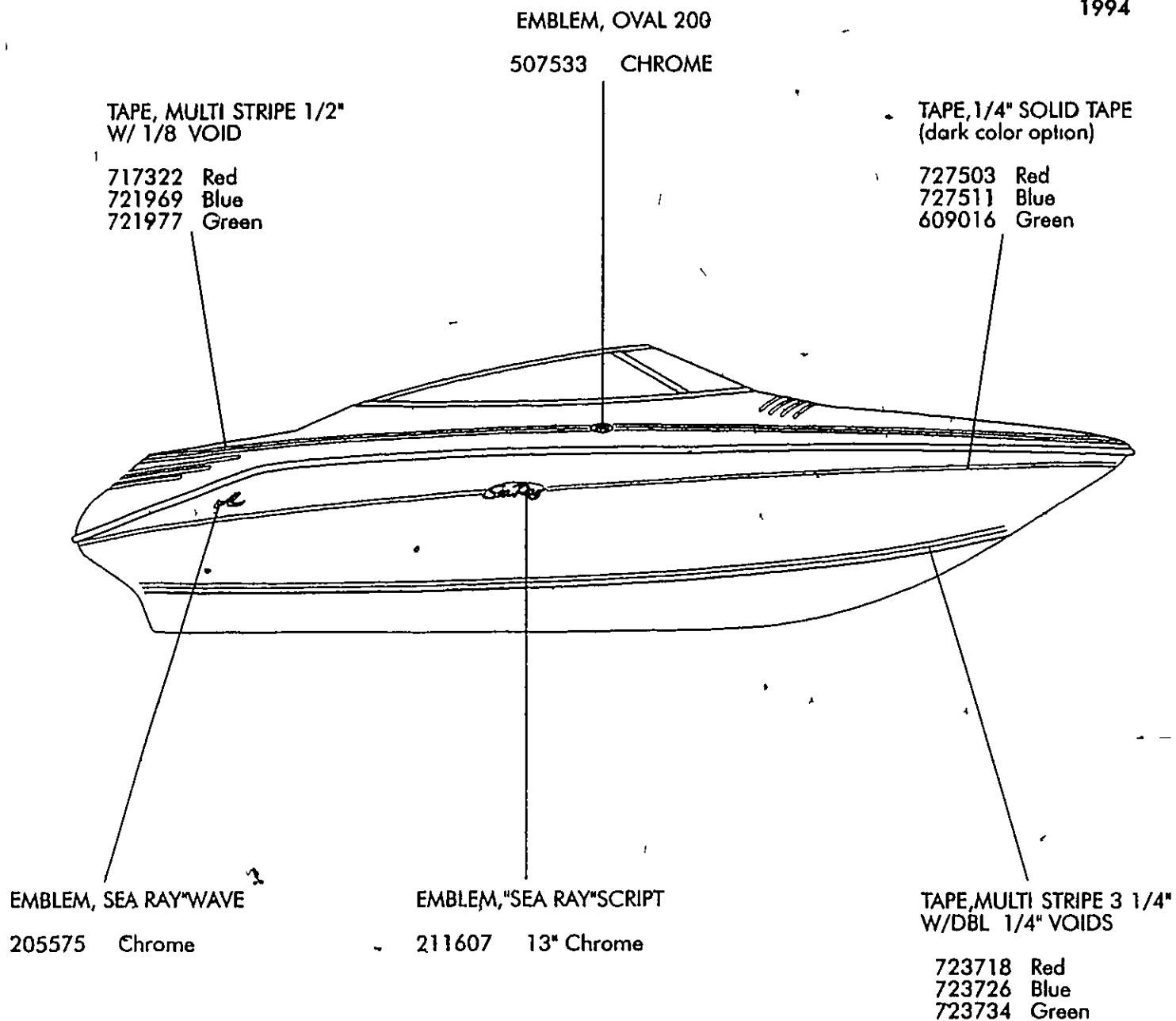
**1994**

**200  
OVERNIGHTER  
I/O**



**A BRUNSWICK MARINE Company**

# 200 OV/IO TAPE POSITIONING GUIDE W/MRP NUMBERS

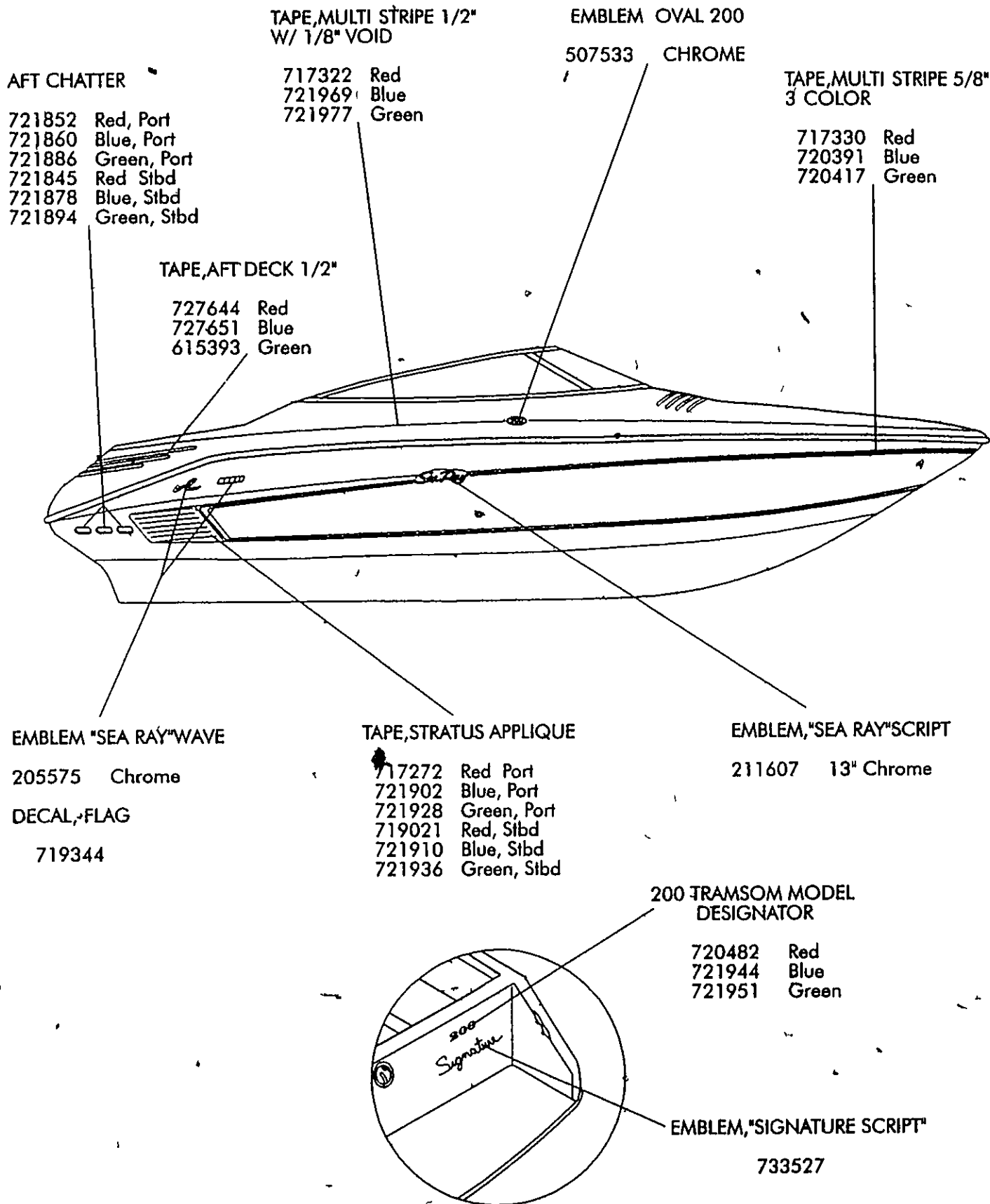


## TRANSOM MODEL DESIGNATOR

# 200 OV/IO TAPE POSITIONING GUIDE W/MRP NUMBERS



200 OV  
1994



AFT CHATTER  
721852 Red, Port  
721860 Blue, Port  
721886 Green, Port  
721845 Red Stbd  
721878 Blue, Stbd  
721894 Green, Stbd

TAPE, MULTI STRIPE 1/2"  
W/ 1/8" VOID  
717322 Red  
721969 Blue  
721977 Green

EMBLEM OVAL 200  
507533 CHROME

TAPE, MULTI STRIPE 5/8"  
3 COLOR  
717330 Red  
720391 Blue  
720417 Green

TAPE, AFT DECK 1/2"  
727644 Red  
727651 Blue  
615393 Green

EMBLEM "SEA RAY" WAVE  
205575 Chrome  
DECAL, FLAG  
719344

TAPE, STRATUS APPLIQUE  
717272 Red Port  
721902 Blue, Port  
721928 Green, Port  
719021 Red, Stbd  
721910 Blue, Stbd  
721936 Green, Stbd

EMBLEM, "SEA RAY" SCRIPT  
211607 13" Chrome

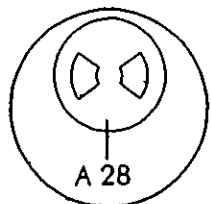
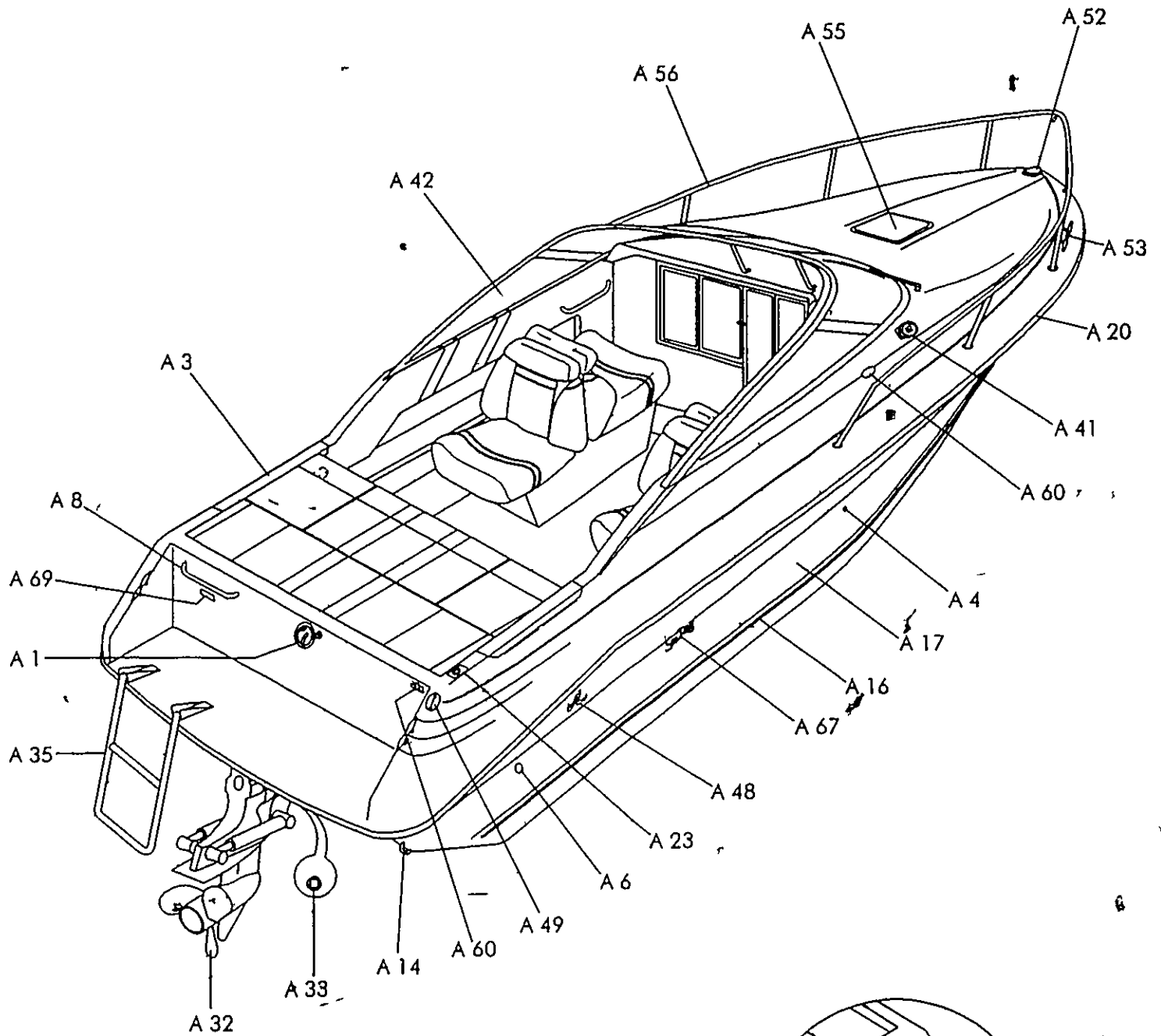
200 TRANSOM MODEL  
DESIGNATOR  
720482 Red  
721944 Blue  
721951 Green

EMBLEM, "SIGNATURE SCRIPT"  
733527

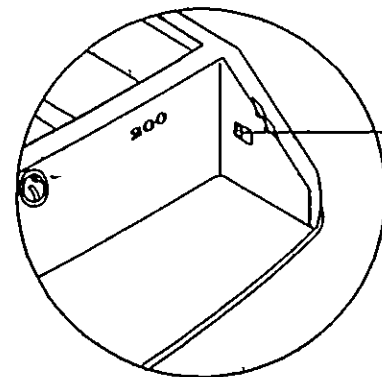
## TRANSOM MODEL DESIGNATOR

EXTERIOR

*SunRay*  
CORPORATION  
**200 OV**  
1994



ACCESS PLATE



POWER TRIM SWITCH



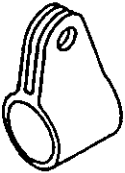
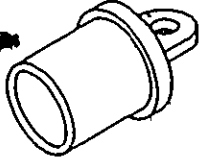
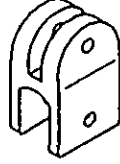
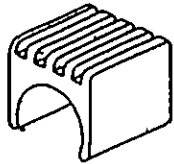


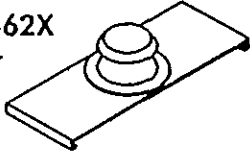
## EXTERIOR

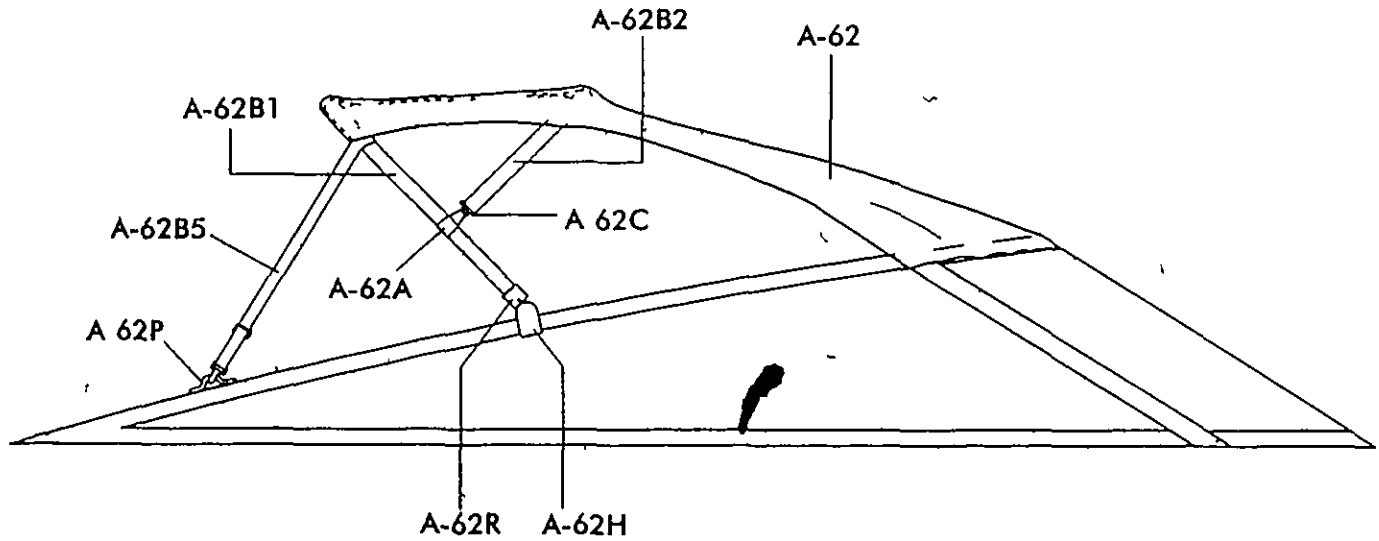
A-01	202481	SKI EYE TRANSOM MT 3/8 X 2.5 DIA X 2.5 LEG	A-35	483958	LADDER SWIM 170BR/CB 185BR/SR
A-03	707174	TEAK STEP PAD	A-35	221648	LABEL DANGER SWIM LADDER (LEXAN)
A-03	120238	TEAK PLUGS 3/8	A-35	508820	BUMPER ROUND BLACK CANOE CLIP
A-04	126888	VENT FUEL/WATER TANK 5/8 X 3	A-35	551655	LADDER MNT HOWR KIT FOR ALL TAMPCO LADDERS
A-06	124487	THRU HULL, PLASTIC 5/8 WHT	A-35	551663	LADDER 6" STEP PAD FOR SWINGDOWN LADDER ALL
A-06	722074	THRU HULL PLASTIC 3/4 RED	A-35	551671	LADDER 6-1/2 ALL SWIGDOWN LADDERS
A-06	722116	THRU HULL PLASTIC 3/4 BLUE	A-41	274449	HORN SINGLE COMPACT
A-06	722108	THRU HULL PLASTIC 3/4 GREEN	A-42	642454	W/S 200 BR/SR W/SNPLS EXT LT/WEIGHT
A-06	182964	THRU HULL PLASTIC 3/4 WHT	A-42	680694	W/S 200 BR/SR VH PORT WING 93
A-06	578914	THRU HULL PLAS 1 BARBED CCM (EURO)	A-42	680678	W/S 200 BR/SR VH STBD FRONT 93
A-06	154732	THRU HULL, PLASTIC 1 1/8 X 90 DEG (EURO)	A-42	680660	W/S 200 BR/SR VH PORT FRONT 93
A-08	270421	RAIL GRAB 12 STREAMLINE	A-42	680686	W/S 200 BR/SR VH CTR FRONT 93
A-14	697508	EYE BOW 3/8 X 2 3/4	A-42	680702	W/S 200 BR/SR VH STBD WING 93
A-16	609016	TAPE SOLID 1/4 DK AQUA	A-42	680710	W/S 200 BR/SR VH HSDR KIT 93
A-16	609016	TAPE SOLID 1/4 DK AQUA CPM F/R	A-42	680728	W/S 200 BR/SR VH SCREW CVR KIT 93
A-16	727503	TAPE SOLID 1/4 RUBY METALLI CPM	A-42	501486	LOCK SPORT BOATS CENTER (
A-16	727511	TAPE SOLID 1/4 IRISH BLUE CPM			WINDOW (TURN LATCH)
A-16	727644	TAPE SOLID 1/2 RUBY METALLIC CPM	A-42	501544	W/S WALK/THRU STOP W/TIP LRG
A-16	727651	TAPE SOLID 1/2 IRISH BLUE CPM	A-42	501551	W/S WALK/THRU STOP W/TIP SMAL
A-16	615393	TAPE SOLID 1/2 DK AQUA CPM	A-42	501528	BUMPER BLACK SQUARE BUMPER
A-16	720391	TAPE M/S 5/8 3-COLOR BL/WHT/GOLD CPM	A-42	501536	MOLDING PLASTIC WINDSHIELD BULB
A-16	720417	TAPE M/S 5/8 3-COLOR TRQ/WHT/GOLD CPM	A-42	557140	COVER WINDSHIELD-FRONT & WING SCRWL CVR
A-16	717330	TAPE M/S 5/8 3-COLOR GER/WHT/GOLD MET CPM	A-42	609719	SUPPORT 200 OV SUPPORT ARM 6 1/4
A-16	717322	TAPE M/S 1/2 W/1/8 VOID RUBY METALLIC CPM	A-42	609727	SUPPORT 200 OV SUPPORT ARM 5 1/4
A-16	721969	TAPE M/S 1/2 W/1/8 VOID IRISH BLUE CPM	A-42	642108	TAPE DECAL STRUCTURAL WARRANTY
A-16	721977	TAPE M/S 1/2 W/1/8 VOID DK AQUA CPM	A-42	696401	TAPE DECAL MID SIZE BOAT OF THE YEAR
A-16	723718	TAPE M/S 3 1/4 W/DBL VOIDS RUBY/GOLD/GER CPM	A-42	696419	TAPE DECAL OFFICIAL BOAT OF WALT DISNEY
A-16	723726	TAPE M/S 3 1/4 W/DBL VOIDS BL/GLD/OLY CPM	A-42	716134	TAPE DECAL PRESIDENT S AWARD
A-16	723734	TAPE M/S 3 1/4 W/DBL VOIDS AQ/GLD/TRQ CPM	A-48	205575	EMBLEM S/R LOGO/WAVE CHROME MED
A-16	721878	TAPE AFT CHATTER STBD IRISH BLUE/OLY/BLUE	A-48	719344	EMBLEM FLAG LOGO
A-16	721894	TAPE AFT CHATTER STBD DK AQUA/TURQ	A-49	654087	DECK PLATE GAS CELCON (PERKO)
A-16	721845	TAPE AFT CHATTER STBD RUBY/GER	A-49	700542	DECK PLATE GAS CAP ONLY
A-16	721852	TAPE AFT CHATTER PORT RUBY/GER	A-49	481069	LABEL GASOLINE RECOMMENDATION
A-16	721860	TAPE AFT CHATTER PORT IRISH BLUE/OLY/BLUE	A-52	580654	LIGHT NAV COMBO SIDE (BOW)
A-16	721886	TAPE AFT CHATTER PORT DK AQ/TURQ	A-53	126664	CLEAT 6 4 BOLT SS
A-16	717272	TAPE STRATUS APP PORT RUBY/GER/WHT/BLK	A-55	717520	HATCH DECK 20 X 20 ULTRA WHITE POWER
A-16	721902	TAPE STRATUS APP PORT BL/OLY/WHT/BLK	A-55	111666	SCREEN DECK HATCH 20 X 20
A-16	721928	TAPE STRATUS APP PORT DK AQ/TURQ/WHT/BLK	A-55	718080	TRIM RING HATCH 20 X 20 WHT
A-16	719021	TAPE STRATUS APP STBD RUBY/GER/WHT/BLK	A-56	739896	RAIL BOW 200OV RAILS ONLY
A-16	721910	TAPE STRATUS APP STBD BL/OLY/WHT/BLK	A-56	772863	200 OV RAIL BOW PORT RAIL
A-16	721936	TAPE STRATUS APP STBD DK AQ/TUBO/WHT/BLK	A-56	772871	200 OV RAIL BOW STBD RAIL
A-17	693291	GEL COAT WHITE ARCTIC FAST CURE	A-56	739904	RAIL BOWFORM 200OV W/O PLATE
A-17	716001	GEL COAT RUBY RED (ARMORCOTE)	A-56	739912	RAIL STANCHION SET 200OV
A-17	308197	GEL COAT GREY ENAMEL	A-56	772798	FWD RAIL P OR S STANCHION FOR #739912
A-17	715995	GEL COAT IRISH BLUE (ARMORCOTE)	A-56	772806	AFT RAIL P OR S STANCHION FOR #739912
A-17	716019	GEL COAT DK AQUA-GREEN (ARMORCOTE)	A-56	772814	RAIL END (FOOT) 94
A-17	721472	GEL COAT BROWNSTONE ARMORCOTE	A-60	507533	EMBLEM OVAL 200
A-17	729079	GEL COAT COOL GREY DASH (ARMORCOTE)	A-60	720482	TAPE MODEL DESG 200 TRANSOM RUBY RED
A-20	132035	RUBRAIL ALUM SORRENTO 17	A-60	721944	TAPE MODEL DESG 200 TRANSOM IRISH BLUE
A-20	671255	CLIP RUBRAIL (GREY NYLON)	A-60	721951	TAPE MODEL DESG 200 TRANSOM DK AQUA
A-20	731042	INSERT RUB RAIL MAROON	A-60	733527	TAPE SCRIPT SIGNATURE 1 7/8" X 1 3/8"
A-20	731067	INSERT RUB RAIL BLUE	A-67	211607	EMBLEM SEA RAY SCRIPT CHROME 13
A-20	731059	INSERT RUB RAIL TEAL	A-69	609461	LABEL WARNING USE CAUTION W/SKIER
A-23	129353	LIGHT NAV ALL ROUND (STERN) 42	A-74	747261	SWITCH TILT EXTERNAL MOUNT
A-23	496240	LIGHT NAV STERN 42" W/O BASE			
A-23	331710	LIGHT NAV STERN LIGHT BASE RECT			
A-28	203539	ACCESS PLATE POLYPROP W/O-RING WHITE 4			
A-32	127308	PROP 13 3/4 X 21 ALUM			
A-32	127340	PROP 14 X 19 ALUM			
A-33	162263	PLUG BRASS DRAIN SPARE 1/2 MPT			
A-33	325191	PLUG RED BRASS DRAIN PLUG 1/2 MPT			

CANVAS

*Sun Ray*  
200 OY  
1994

## CANVAS HARDWARE

A-62A 	A-62C 	A 62H 	A-62O 
A 62P 	A 62R 	A-62X 	



# 200 OV I/O 1994



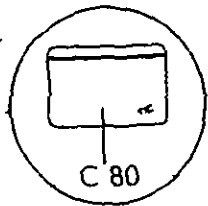
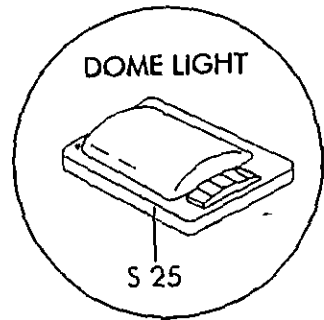
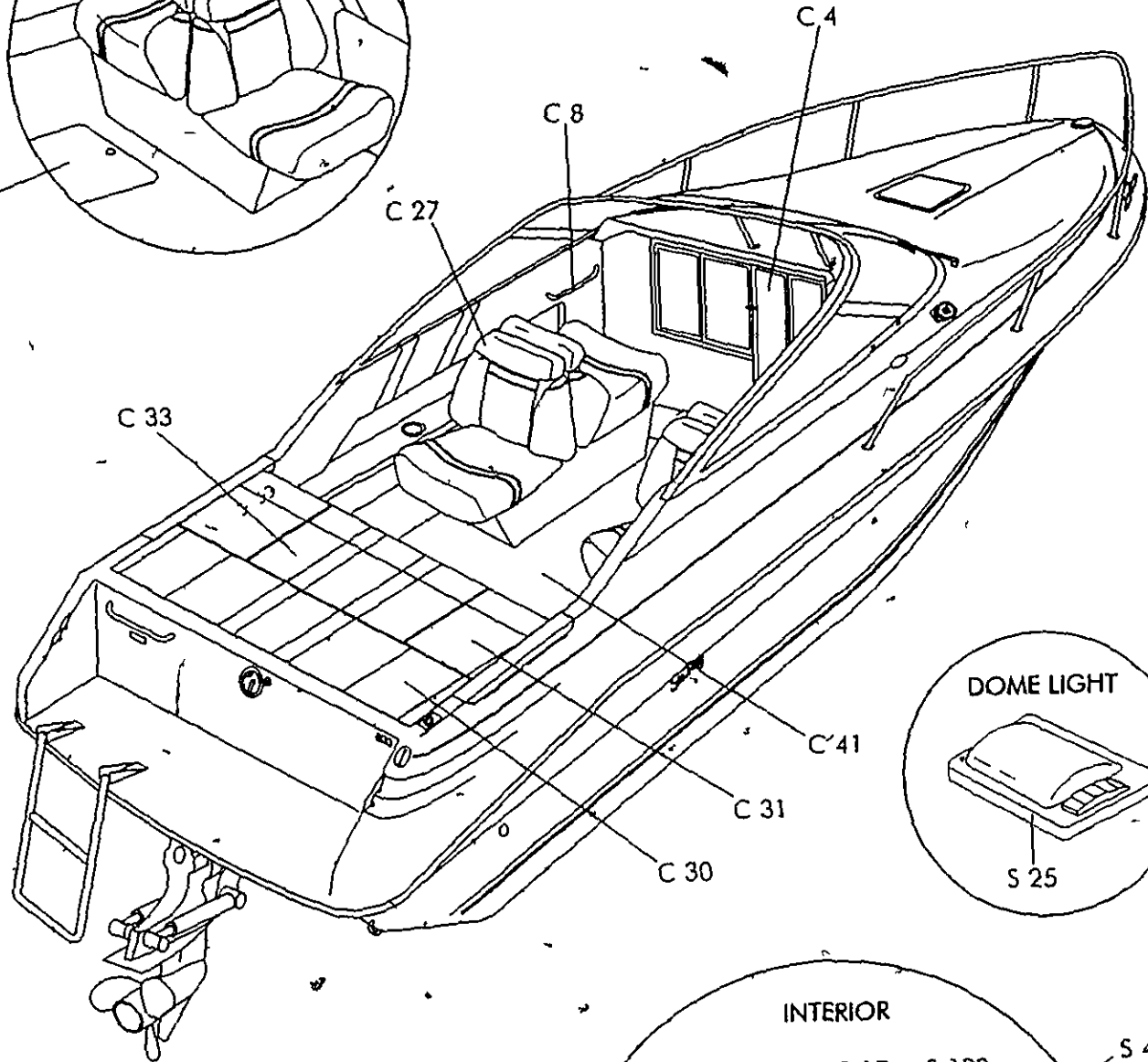
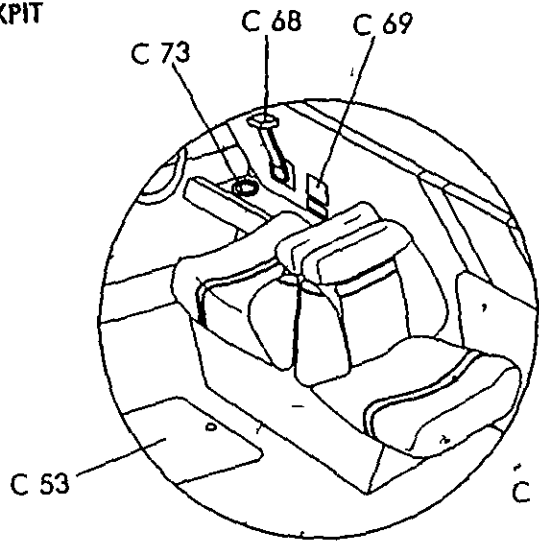
## CANVAS

A-62	739946	CANVAS 200OV/OVOB CONV TOP GRN 94
A-62	739920	CANVAS 200OV/OVOB CONV TOP RED 94
A-62	739938	CANVAS 200OV/OVOB CONV TOP BLUE 94
A-62	729186	CANVAS 200OV/OVOB CONV TOP BOOT BLUE 94
A-62	729194	CANVAS 200OV/OVOB CONV TOP BOOT GRN 94
A-62	729178	CANVAS 200OV/OVOB CONV TOP BOOT RED 94
A-62	730010	CANVAS 200OV/OVOB SIDE CURT SET RED 94
A-62	752717	CANVAS 200OV/OVOB SIDE CURT PORT RED 94
A-62	752758	CANVAS 200OV/OVOB SIDE CURT STBD RED 94
A-62	739094	CANVAS 200OV/OVOB SIDE CURT SET BLUE 94
A-62	752725	CANVAS 200OV/OVOB SIDE CURT PORT BLUE 94
A-62	752766	CANVAS 200OV/OVOB SIDE CURT STBD BLUE 94
A-62	739102	CANVAS 200OV/OVOB SIDE CURT SET GRN 94
A-62	752741	CANVAS 200OV/OVOB SIDE CURT PORT GRN 94
A-62	752774	CANVAS 200OV/OVOB SIDE CURT STBD GRN 94
A-62	729202	CANVAS 200OV AFT CURT RED 94
A-62	729210	CANVAS 200OV AFT CURT BLUE 94
A-62	729228	CANVAS 200OV AFT CURT GRN 94
A-62	729236	CANVAS 200OV CPC RED 94
A-62	729244	CANVAS 200OV CPC BLUE 94
A-62	729251	CANVAS 200OV CPC GRN 94
A-62	741406	CANVAS HATCH CVR 20X20 BLUE SLIP 94
A-62	728790	CANVAS HATCH CVR 20X20 GRN SLIP 94
A-62	741413	CANVAS HATCH CVR 20X20 RED SLIP 94

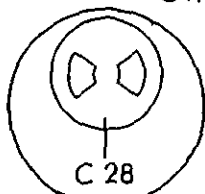
## TOP & BOWS REPLACEMENT PARTS

A-62	752329	CANVAS 200OV/OVOB CONV TOP FAB RED 94
A-62	752337	CANVAS 200OV/OVOB CONV TOP FAB BLUE 94
A-62	752345	CANVAS 200OV/OVOB CONV TOP FAB GRN 94
A-62A	595462	SLIDE JAW SLIDE NYLON 7/ GREY (CONV TOP)
A-62B	752352	CANVAS 200OV/OVOB CONV TOP BOW SET W/HDWR 94
A-62B1	752360	CANVAS 200OV/OVOB CONV TOP MAIN BOW N/HDW 94
A-62B2	752378	CANVAS 200OV/OVOB CONV TOP BOW 2 N/HDW 94
A-62B5	752840	CANVAS 200OV/OVOB CONV TOP REAR STRAP BLK 94
A-62B8	752386	CANVAS 200OV/OVOB CONV TOP TOP MNT PKG 94
A-62C	595488	CAP INSIDE EYE END 7/8 GREY NYLON
A-62H	679787	HINGE WINDSHIELD HINGE NYLON SADDLE
A-62I	175075	PIN QUICK RELEASE SS W/RING 1/4 X 1 3/8
A-62O	580688	SPACER SIDE CURTAIN 7/8
A-62P	195412	EYE STRAP EYE (SNAP EYE) CHROME (CONV TOP)
A-62R	221085	CAP SS EYE END CAP 7/8
A-62X	222414	CLIP WINDSHIELD CLIP W/SNAP STUD 3/4
A-62Z	637686	CANVAS SP BOAT CUSTOM 1 SIDE REL BCKL 91-93

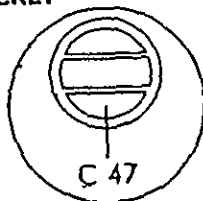
COCKPIT



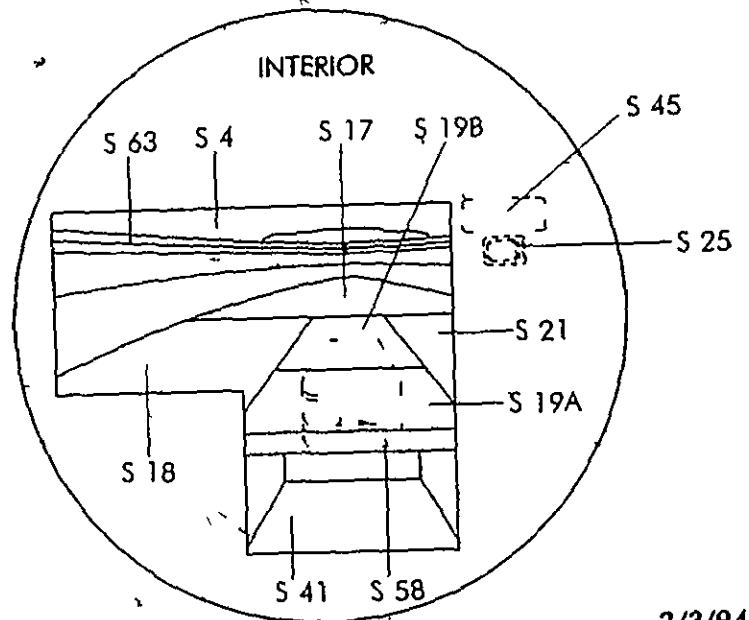
OWNER'S PACKET



ACCESS PLATE



SPEAKER







200 OV I/O 1994



COCKPIT

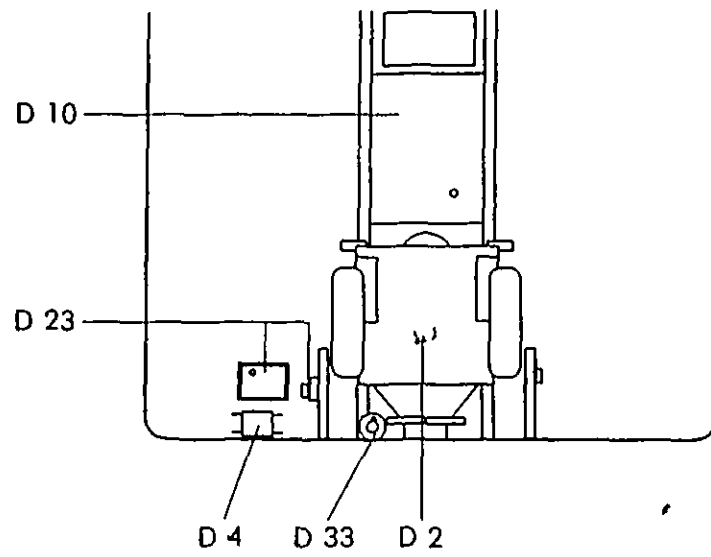
- C-01 666206 HIDE M CUDDY GEL WHITE 5/8
- C-01 103309 MESH WHITE 60
- C-01 157495 TAB PULL TAB MATERIAL 6
- C-01 498691 VINYL CUDDY GEL WHITE EXP FLAT
- C-01 661462 VINYL CUDDY GEL WHITE EXP 1/4 F/B
- C-01 714568 VINYL DIRECTIONS DK BLUE EXP FLAT
- C-01 718627 VINYL DIRECTIONS RAFFIA EXP 1/4 F/B
- C-01 716514 VINYL DIRECTIONS RAFFIA EXP FLAT
- C-01 716506 VINYL DIRECTIONS NEUTRAL EXP FLAT
- C-01 298794 VINYL SPECTRA DEEP SEA GREEN EXP FLAT
- C-01 261131 VINYL SPECTRA MOONBEAM EXP FLAT
- C-01 261149 VINYL SPECTRA MOONBEAM EXP 1/4 F/B
- C-01 663815 VINYL SPECTRA RUBEN RED EXP FLAT
- C-01 156893 WEBBING NYLON 1 BLACK
- C-04 732008 DOOR 200OV ENTRYWAY DOOR ASSY SEA FOAM
- C-04 772848 200OV 94 DOOR ENTRYWAY PORT
- C-04 772855 200OV 94 DOOR ENTRYWAY STBD
- C-04 326041 BOLT BARREL CHROME 2 3/8
- C-04 334672 BUMPER RECESSED WHITE ROUND
- C-04 129312 HOOK CABIN DOOR 2 1/2
- C-04 129320 HASP LOCKING W/SWIVEL EYE 3
- C-04 156166 PULL DOOR/DRAWER PLASTIC WHITE
- C-04 174557 LIFT RING SMALL FLUSH CHR/ZINC
- C-04 731679 TRIM 1/2 X 1 1/2 X 96 SEA FOAM
- C-04 731687 TRIM 1 X 1 7/8 X 96 SEA FOAM
- C-04 731695 TRIM 1 3/8 X 1 1/2 X 48 SEA FOAM
- C-04 733725 TRIM 1/2 X 7/8 X 96 SEA FOAM
- C-08 270421 RAIL GRAB 12 STREAMLINE
- C-08 517771 WASHER OVAL GRAB HANDLE BASE PLATE
- C 27 713024 B/B SEAT RUNABOUTS SAND/RED
- C 27 713032 B/B SEAT RUNABOUTS SAND/BLUE
- C 27 728311 B/B SEAT, RUNABOUTS SAND/GREEN
- C 27 729871 B/B SEAT RUNABOUTS WHT/BLUE
- C 27 729863 B/B SEAT RUNABOUTS WHT/RED
- C 27 729889 B/B SEAT RUNABOUTS WHT/GREEN
- C 27 761916 180 BR/CB 94 SEAT CUSH SKIN B/B P/S HIN #
- C 27 761924 180 BR/CB 94 SEAT CUSH B/B P/S HIN #
- C 27 761932 180 BR/CB 94 SEAT BACK SKIN B/B P/S HIN #
- C 27 761940 180 BR/CB 94 SEAT BACK B/B PORT FWD HIN #
- C 27 761957 180 BR/CB 94 SEAT BACK B/B PORT AFT HIN #
- C 27 761965 180 BR/CB 94 SEAT BACK B/B STBD FWD HIN #
- C 27 761973 180 BR/CB 94 SEAT BACK B/B STBD AFT HIN #
- C 28 203539 ACCESS PLATE POLYPROP W/O-RING WHT
- C 30 604934 AFT STORAGE LD HIN #
- C 30 604967 AFT STORAGE LD SKIN HIN #
- C-30 141903 HINGE AL CONT 2" X 72 SAT
- C 31 604983 P/S JUMPSEAT CUSH HIN #
- C-31 605006 P/S JUMPSEAT SKIN HIN #
- C-31 113894 COOLER COOLER BOX
- C 31 140061 PLUG DRAIN PLUG 1/2 SNAPTITE
- C 31 676908 RUNNER POLYURETHANE JUMP SEAT WHT (RIGHT)
- C-31 676916 RUNNER POLYURETHANE JUMP SEAT WHT (LEFT)
- C-31 737700 RUNNER POLYURETHANE JUMP SEAT BROWN (RIGHT)
- C 31 735126 RUNNER POLYURETHANE JUMP SEAT BROWN (LEFT)
- C-31 695833 CLEAT PLASTIC JUMP SEAT CLEAT
- C 31 158030 DRAIN TUBE ALUM DRAIN SLEEVE
- C-33 605048 FIBERGLASS MOTOR BOX
- C-33 605055 MOTOR BOX CUSH HIN #
- C-33 605071 MOTOR BOX CUSH SKIN HIN #
- C 33 673202 HINGE LIFT OFF RH
- C-33 188060 EMBLEM SEA RAY SCRIPT CHROME SMALL
- C-33 525493 NOSING ALUM 5/8 X 8
- C-41 714600 CARPET EXT 20 OZ ROSE #349 (RED)
- C-41 713040 CARPET EXT 20 OZ WILD ASTER #593 (BLUE)
- C-41 714634 CARPET EXT 20 OZ TEAL #452 (GREEN)
- C-41 542548 BINDING CARPET BINDING BIAS BLACK
- C-47 719922 SPEAKER 6 1/4 CENTREX DUAL CONE
- C 53 605113 FUEL TANK FLOOR GREY

- C 53 174557 LIFT RING SMALL FLUSH CHR/ZINC
- C-68 757864 CONTROL, REMOTE TH/SHIFT ASSY PANEL
- C-68 125112 CABLE CONTROL MORSE KM/13
- C-68 125120 CABLE CONTROL MORSE KM/14
- C-69 704502 CARD EXPRESS LIMITED TRANSFERABLE
- C-69 221663 LABEL, DANGER CARBON MONOXIDE
- C-69 222018 LABEL DANGER SUN PADS
- C-69 221648 LABEL DANGER SWIM LADDER
- C-69 222000 LABEL MANUAL BULKHEAD
- C-69 129122 LABEL NMMA CERTIFIED
- C-69 551689 LABEL WARNING PYHY FIRE EXT PORT
- C-69 609461 LABEL WARNING USE CAUTION W/SKIER
- C-69 707653 LABEL, WARNING VAPORS CAN EXPLODE
- C-69 147975 MANUAL YOU AND YOUR BOAT
- C-69 147983 MANUAL, YOU AND YOUR TRAILER
- C-69 600593 PLATE NMMA
- C-69 260547 PLATE TAG BACK PLEX 5 X 8 5/8
- C-69 324756 LABEL, RECEPTACLE 12V 15A MAX
- C-69 481143 LABEL, DANGER STAY CLEAR OF MOVING
- C 73 204271 DRINK HOLDER PLASTIC 4 X 3 MUG
- C 80 363671 PACKET OWNER 1-COMP LEGAL SIZE
- C 80 471219 BOOKLET HOW TO KEEP STAINLESS STAINLESS
- C 80 137729 CARD COAST PILOTING INFORMATION
- C 80 434191 CARD NAVIGATIONAL INTERNATIONAL
- C 80 137711 CARD NAVIGATION INFORMATION
- C-80 484634 MANUAL SPORT BOAT OWNERS MANUAL

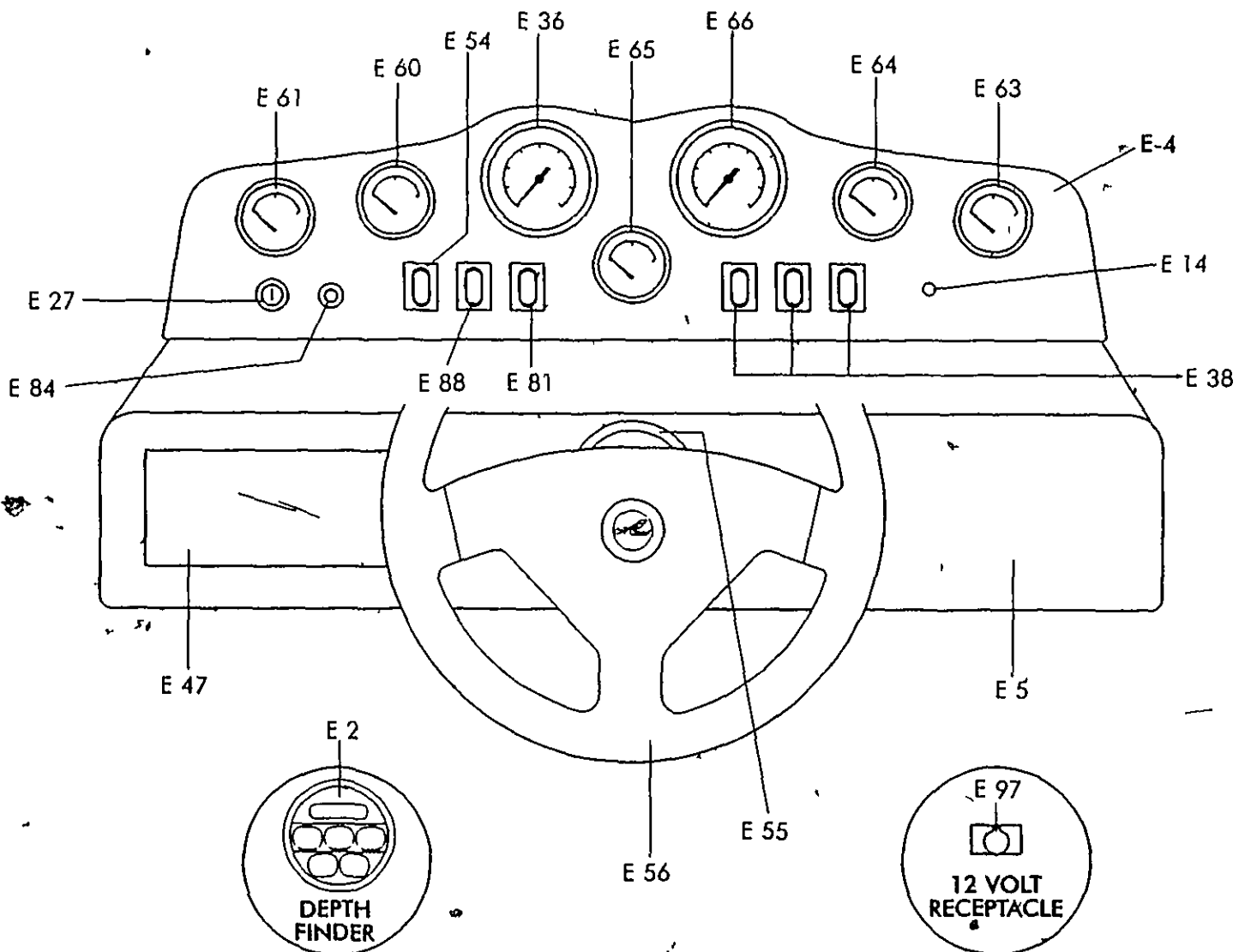
INTERIOR

- S-01 714642 FABRIC STRATUS SKY BLUE FLAT
- S-01 714667 FABRIC KEYSTONE JASPER #371 GREEN FLAT
- S-01 714659 FABRIC ECHO OPAL #599 RED FLAT
- S-01 103986 FABRIC DENIM 60' BEIGE
- S-04 637298 FABRIC GEOMETRIC OPAL GREY
- S 17 605139 FWD BOW CUSH HIN #
- S-17 605147 FWD BOW CUSH SKIN HIN #
- S 18 605204 PORT BOW CUSH HIN #
- S-18 605212 PORT BOW CUSH SKIN HIN #
- S 19A 605220 FWD BOW FILLER CUSH HIN #
- S-19A 605238 FWD BOW FILLER CUSH SKIN HIN #
- S-19B 605246 AFT BOW FILLER CUSH HIN #
- S-19B 605253 AFT BOW FILLER CUSH SKIN HIN #
- S 21 605279 STBD BOW CUSH HIN #
- S-21 605287 STBD BOW CUSH SKIN HIN #
- S-25 312975 LIGHT SGL DOME FLUSH MT PLA GR W/SW
- S-41 714600 CARPET EXT 20 OZ ROSE #349 (RED)
- S-41 713040 CARPET EXT 20 OZ WILD ASTER #593 (BLUE)
- S-41 714634 CARPET EXT 20 OZ TEAL #452 (GREEN)
- S-45 605428 INSTRUMENT ACCESS PANEL
- S-58 130708 HEAD, PORTABLE SANI POTTI SIL PLATI
- S-63 605436 PORT GUNNEL MUFF HIN #
- S-63 605444 STBD GUNNEL MUFF HIN #

BILGE



DASH AREA





## BILGE

D-02 582668 PUMP BILGE 360 GPH  
 D-02 123885 HOSE CORR BILGE 3/4 BLACK  
 D-04 744581 BLOWER BILGE 4 TURBO 4000 WATER  
 D-04 124016 HOSE VENT/BLOWER 4 EX HVY DTY (STD)  
 D-04 525980 HOSE VENT/BLOWER 4 ALUMINIUM (EURO)  
 D-04 538223 COLLAR HOSE 4 ABS PLASTIC (EURO)  
 D-04 499681 COLLECTOR BOX DECK VENT  
 D-04 124271 HOSE CONDUIT/SPLIT 1/2" BLACK  
 D-04 123919 HOSE CORR BILGE 1 1/2 BLACK  
 D-04 124339 HOSE CONDUIT/SPLIT 1 1/2 BLACK  
 D 10 501924 TANK FUEL  
 D-10 684738 HOSE FUEL 3/8 TYPE A1  
 D-10 633081 HOSE FUEL 5/8 TYPE A CLASS 1 WHT  
 D-10 123745 HOSE FUEL 1 1/2 TYPE A CLASS 2  
 D-10 147611 ADAPTER BRASS 1/4 MPT X 3/8 BARB  
 D-10 676122 ANGLE PVC 1 1/2 X 1 1/2 X 3/16  
 D-10 306936 BRACKET FUEL SHUT-OFF VALVE (EURO)  
 D-10 258285 ELBOW BRASS 90DEG 1/4 MPT X 3/8 BA  
 D-10 125088 LABEL FUEL WARNING NMMA (GAS)  
 D-10 485318 TAPE FOAM CLOSED-CELL NEOPRENE 3/8  
 D-10 224329 VALVE BRASS FUEL SHUT-OFF SKINNER (EURO)  
 D 23 130419 HOLDER BATTERY GR 24 BLACK NYLON  
 D-23 130849 BOOT BATTERY CABLE RED  
 D-23 130856 BOOT BATTERY CABLE BLK  
 D-23 130781 CABLE BATT RED #2AWG  
 D-23 617738 CABLE BATT KIT W/4 3L  
 D-23 617746 CABLE BATT KIT W/ON-OFF  
 D-23 571364 LABEL CAUTION BATTERY SWITCH  
 D-23 162701 SWITCH BATTERY ON/OFF W/O LOCK  
 D-33 196345 HALON SYSTEM AUTOMATIC 75  
 D-33 609073 HALON SYSTEM MANUAL/AUTO 75 (EURO)  
 D-33 135095 LABEL NOTICE AUTO HALON SYSTEM  
 D-33 598169 HALON CABLE MANUAL PULL CABLE 18 (EURO)

## ELECTRICAL

E-02 739862 DEPTH FINDER LOWRANCE 3500 GREY  
 E-02 739870 DEPTH FINDER BZ3 ROUND GREY BEZEL  
 E-02 740753 DEPTH FINDER LOWRANCE 3500MTR EURO  
 E-02 740761 DEPTH FINDER BZ9 ROUND GREY BEZEL  
 E-02 500413 TRANSDUCER LOWRANCE 1 POD  
 E-02 520668 FUSE BLADE TYPE ATO 3A  
 E-04 727081 ELEC PKG COOL GREY  
 E-04 727073 ELEC PKG BROWNSTONE  
 E-04 772491 DASH POD COOL GREY INSTRUMENT BLANK  
 E-04 772483 DASH POD BROWNSTONE INSTRUMENT BLANK  
 E-04 758995 HARNESS 2000V ACCY 94  
 E-04 759001 HARNESS 200 OV ENGINE 94  
 E-05 605121 STBD LOWER DASH FRAME HIN #  
 E-14 179853 LIGHT INDICATOR GREEN 15V  
 E 27 557785 IGNITION SWITCH I/O  
 E-27 552000 KEY SWITCHES SPECIFY #  
 E-36 751479 GAUGE TACH W/HOUR 3 6K STD IGN  
 E-38 572065 SWITCH ROCKER VERTICAL DUMMY  
 E-38 498857 SWITCH ROCKER ACCY SPST (DEPTH FINDER  
 E-47 592907 STEREO CRAIG AG101C AM/FM CASSETTE  
 E-47 199240 COVER RADIO ENCLOSURE BOX BLACK  
 E-47 133272 ANTENNA LEAD STEREO ORANGE 16GA  
 E-54 498774 SWITCH ROCKER VERT BLOWER SPST  
 E 55 126961 STEERING HELM MECHANICAL ASSY  
 E-55 126987 STEERING MT 90DEG BEZEL ONLY  
 E-55 594713 STEERING MT 10 DEG BEZEL KIT  
 E-55 662510 STEERING PERFORMANCE TILT MECHANISM  
 E-55 662528 STEERING PERFORMANCE XR-4 TILT HELM  
 E-55 126961 STEERING HELM MECHANICAL ASSY  
 E-55 256560 STEERING RACK/CABLE ASSY 15.0  
 E-56 727131 STEERING WHEEL SPYDER GT GREY  
 E-56 717223 STEERING WHEEL SPYDER GT SAND  
 E-60 718833 GAUGE OIL PRESS 0-80 LEGEND  
 E-61 718858 GAUGE WATER TEMP 220 DEG LEDGEND  
 E-63 718817 GAUGE FUEL SGL STATION LEGEND  
 E-64 718825 GAUGE VOLTMETER 10-16 LEGEND  
 E-65 718841 GAUGE TRIM TELE (MERC) LEGEND  
 E-66 718940 GAUGE SPEEDO 65 MPH 3 LEGEND  
 E-66 631754 PICK UP SPEEDOMETER  
 E-66 606087 TUBING GAUGE 148 ID #7 HEAVY WALL  
 E-81 498766 SWITCH ROCKER VERT BILGE PUMP  
 E-84 557777 SWITCH PUSH BUTTON SPST M REDTD  
 E-88 602813 SWITCH ROCKER VERT NAV LIGHT DPDT  
 E-97 324335 RECEPTACLE FEMALE 12 VOLT