



MATERIALS

Bernat® Softee Chunky™ (3.5 oz/100 g; 108 yds/99 m)
Linen (28021) **or** Wine (28532) **or** Taupe Grey (28048) **6 balls**

Size U.S. L/11 (8 mm) crochet hook **or size needed to obtain gauge.**
Stitch markers. Pillow form 20" [51 cm] square.

ABBREVIATIONS: www.yarnspirations.com/abbreviations

Approx = Approximate(ly)

Beg = Begin(ning)

Ch = Chain(s)

Dc = Double crochet

Hdc = Half double crochet

Hdcbl = Half double crochet in back loop only of next stitch.

Hdcfl = Half double crochet in front loop only of next stitch

Pat = Pattern

Rem = Remain(ing)

Rep = Repeat

RS = Right side

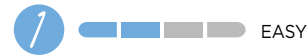
RSPopcorn = 3 dc in indicated stitch. Drop loop from hook. Insert hook from front to back in first dc. Pull dropped loop through.

St(s) = Stitch(es).

Tog = Together

WS = Wrong side

WSPopcorn = 3 dc in indicated stitch. Drop loop from hook. Insert hook from back to front in first dc. Pull dropped loop through.



MEASUREMENT

Approx 20" [51 cm] square.

GAUGE

8 hdc and 5 rows = 4" [10 cm].

INSTRUCTIONS

Ch 42. See chart on page 2.

1st row: (RS). 1 hdc in 3rd ch from hook (skipped ch-2 counts as hdc). 1 hdc in each ch to end of chain. Turn. 41 hdc.

2nd row: Ch 2 (counts as hdc throughout). 1 hdcfl in each st to end of row. Turn.

3rd row (Fringe row): Ch 2. 1 hdcbl in each st to end of row. Place marker at end of row. Turn.

4th row: As 2nd row.

5th row: Ch 2. 1 hdcbl in next st. *RSPopcorn in back loop only of next st. 1 hdcbl in next st. Rep from * to last st. 1 hdcbl in st. Turn.

6th row: Ch 2. 1 hdcfl in each of next 2 sts. *WSPopcorn in front loop only of next st. 1 hdcfl in next st. Rep from * to last 2 sts. 1 hdcfl in each of last 2 sts. Turn.

7th row: As 5th row.

8th row: As 6th row.



BERNAT TASSEL AND TEXTURE CROCHET PILLOW | CROCHET

9th row: Ch 2. 1 hdcbl in each st to end of row. Turn.

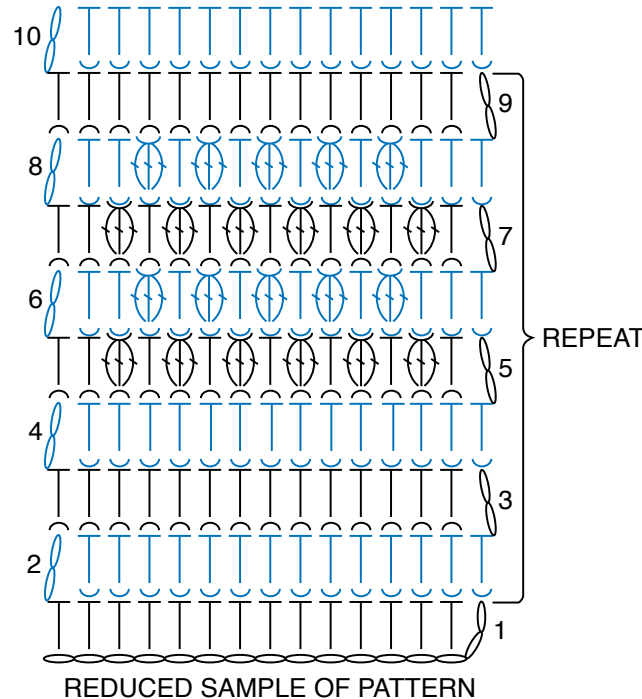
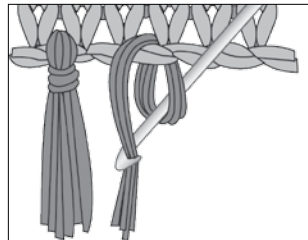
Rep 2nd to 9th rows to form pat.

Cont in pat until work from beg measures approx 40" [101.5 cm], ending on a 3rd or 7th row.

Fasten off.

Fringe

Cut strands of yarn 6" [15 cm] long. Fold each strand in half and knot into fringe into rem loops of each st across each marked 3rd row (Fringe row) of pat. Trim fringe evenly.



- STITCH KEY**
- = chain (ch)
 - = half double crochet (hdc)
 - = popcorn
 - = worked in back loop
 - = worked in front loop

FINISHING

Fold Pillow in half. With WS facing, sew 2 sides of Pillow tog using a flat seam. Insert pillow form. Sew rem seam.