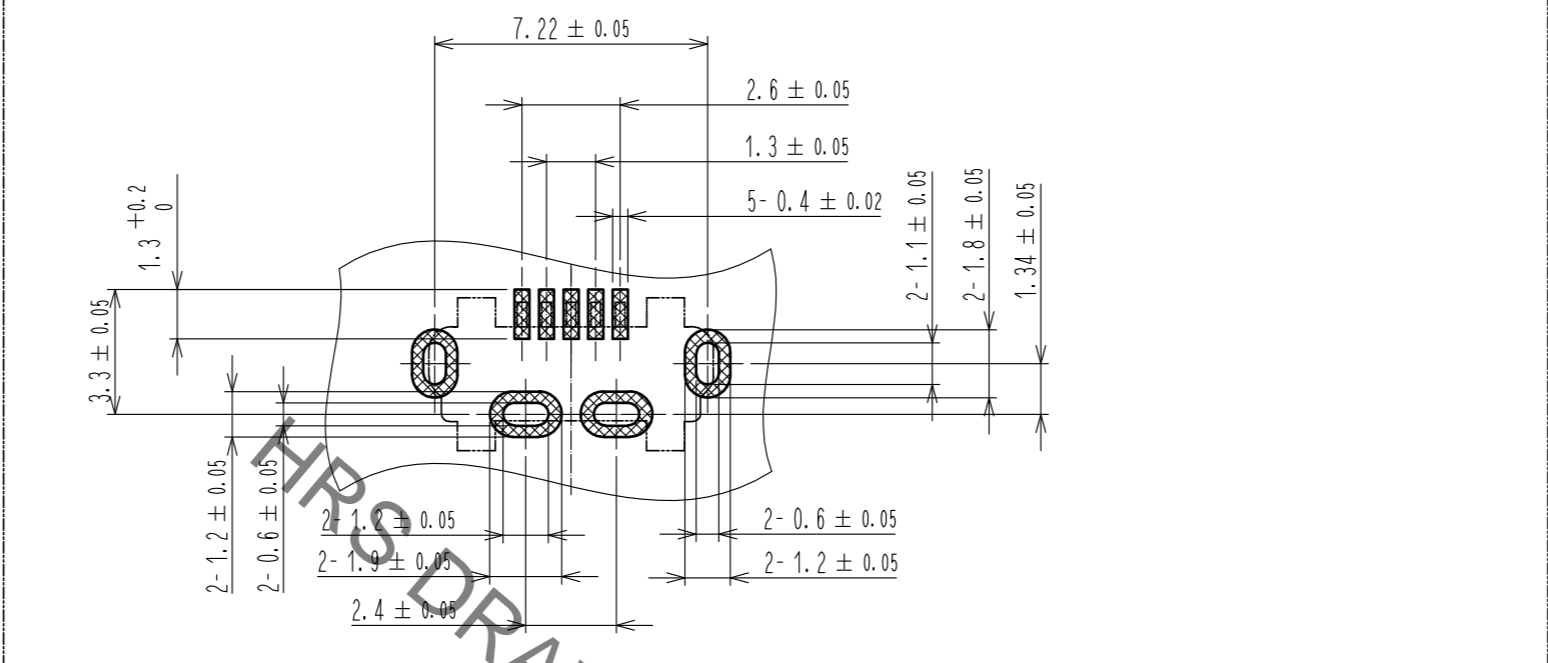
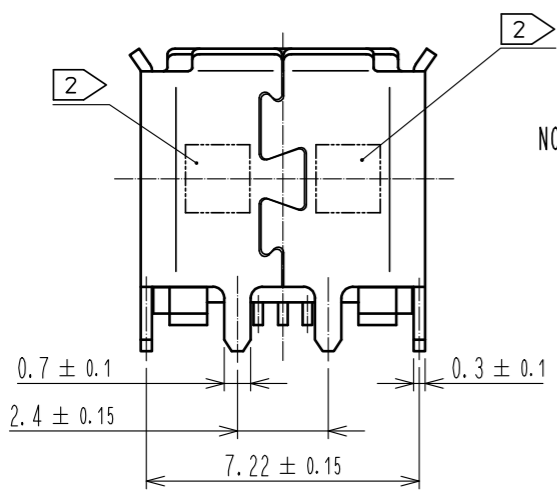
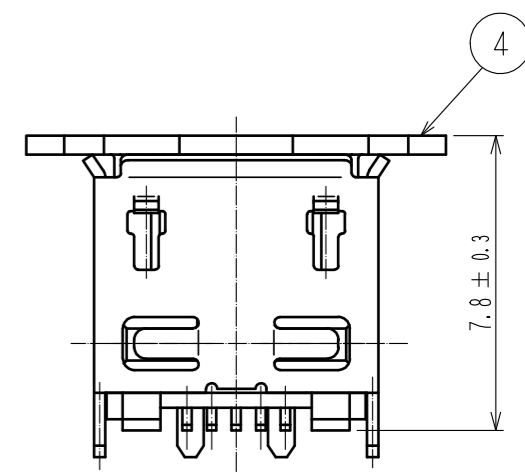
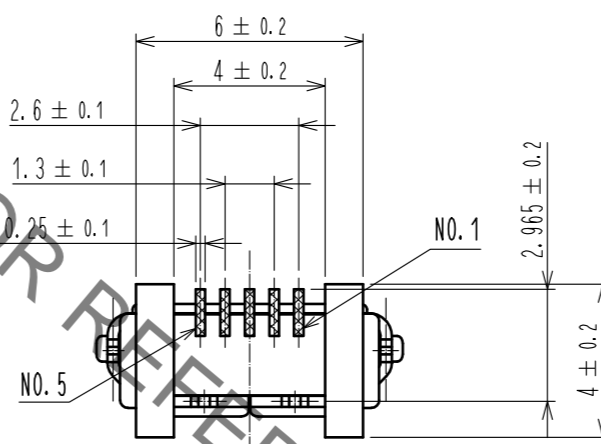
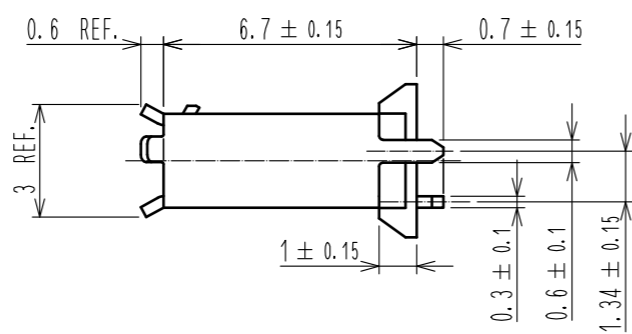
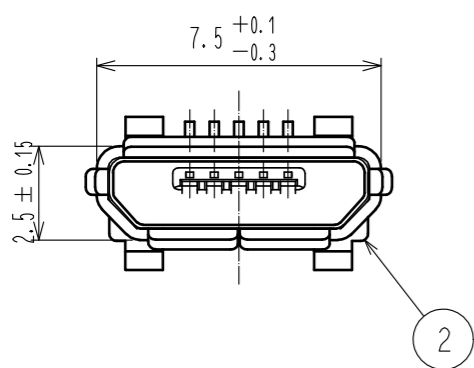
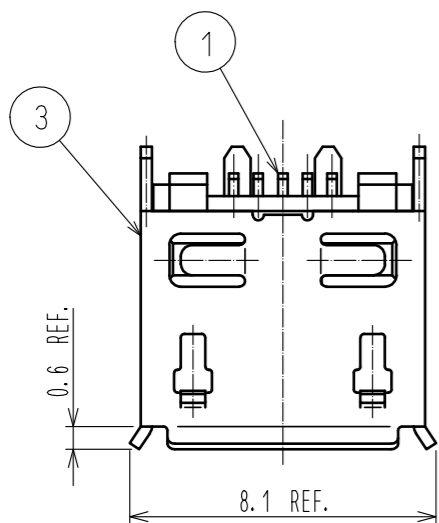
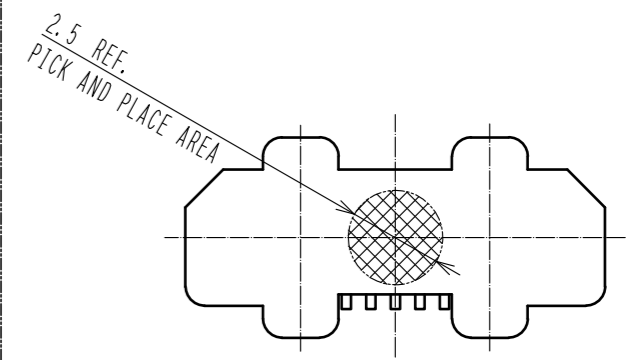


Mar.1.2021 Copyright 2021 HIROSE ELECTRIC CO., LTD. All Rights Reserved.
In case of consideration for using Automotive equipment / device which demand high reliability, kindly contact our sales window correspondents.

PCB LAYOUT



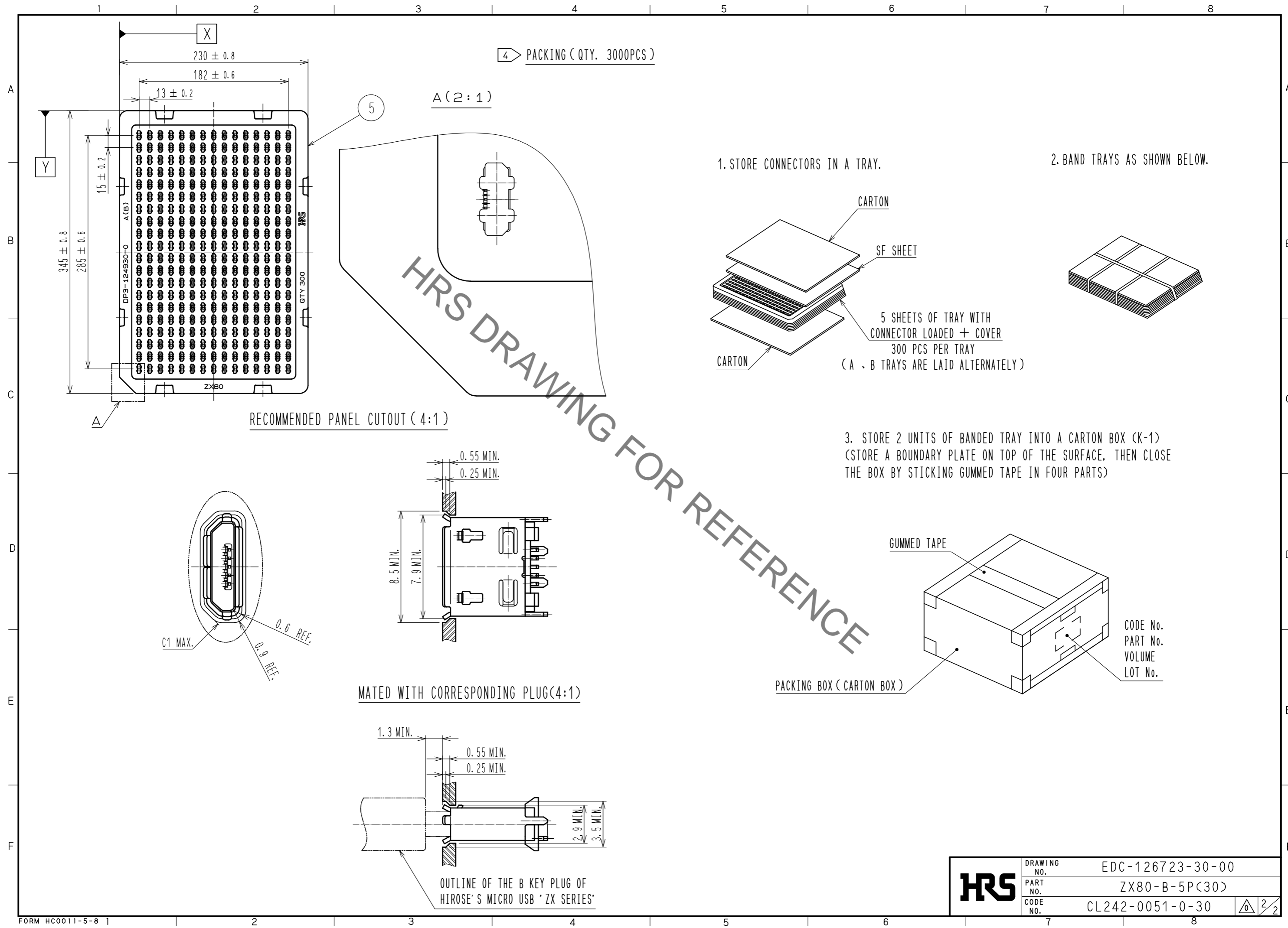
PICK AND PLACE CAP



- NOTE
- 1 CO-PLANARITY IS WITHIN 0.08.
 - 2 LOT No. SHALL BE INDICATED AT THE POSITION AS SHOWN.
 - 3 PLATING
CONTACT AREA : GOLD PLATE 0.75 μm MIN.
LEAD AREA : GOLD PLATE 0.05 μm MIN.
UNDER PLATING : NICKEL 2 μm MIN.
 - 4 PACKING
300 PCS PER TRAY.
 - 5 AS FOR PART No. 3, THE PERFORMANCE REMAINS GOOD EVEN IF THERE IS A RUBBING WOUND BY THE ASSEMBLY PROCESS. AND THE PERFORMANCE REMAINS GOOD EVEN IF THERE IS A DIFFERENCE OF THE COLOR OF PLATING WITH THE MANUFACTURING LOT.

2	LCP	BLACK	UL94V-0	5	PS			
1	COPPER ALLOY	3		4	POLYAMIDE RESIN			
				3	STAINLESS STEEL	UNDER PLATING: NICKEL 0.2 μm MIN. OVER PLATING : TIN 1μm MIN. LUBRICANT		
NO.	MATERIAL	FINISH	REMARKS	NO.	MATERIAL	FINISH	REMARKS	
UNITS	mm	SCALE	5 : 1	COUNT	DESCRIPTION OF REVISIONS	DESIGNED	CHECKED	DATE
HRS HIROSE ELECTRIC CO., LTD.		APPROVED	: NM. NISHIMATSU	15.10.27	DRAWING NO.	EDC-126723-30-00		
		CHECKED	: KN. ICHIKAWA	15.10.27	PART NO.	ZX80-B-5P(30)		
		DESIGNED	: TS. ITO	15.10.27	CODE NO.	CL242-0051-0-30		
		DRAWN	: AK. AKIYAMA	15.10.27				

Mar.1.2021 Copyright 2021 HIROSE ELECTRIC CO., LTD. All Rights Reserved.
 In case of consideration for using Automotive equipment / device which demand high reliability, kindly contact our sales window correspondents.



HRS	DRAWING NO.	EDC-126723-30-00
	PART NO.	ZX80-B-5P(30)
	CODE NO.	CL242-0051-0-30
		2/2