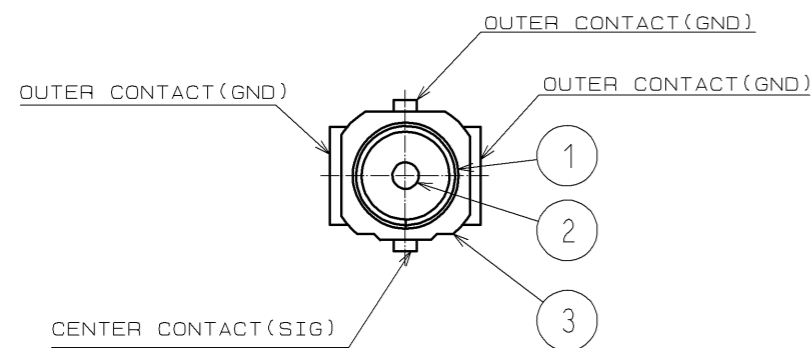
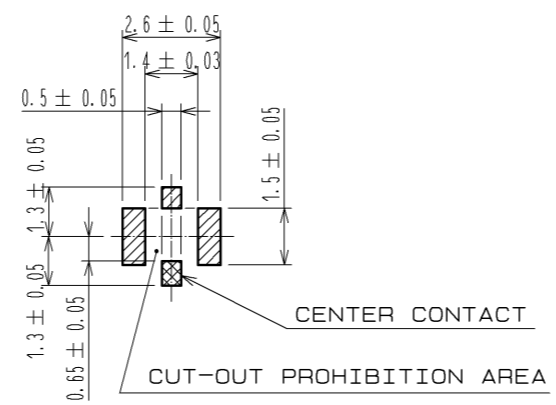


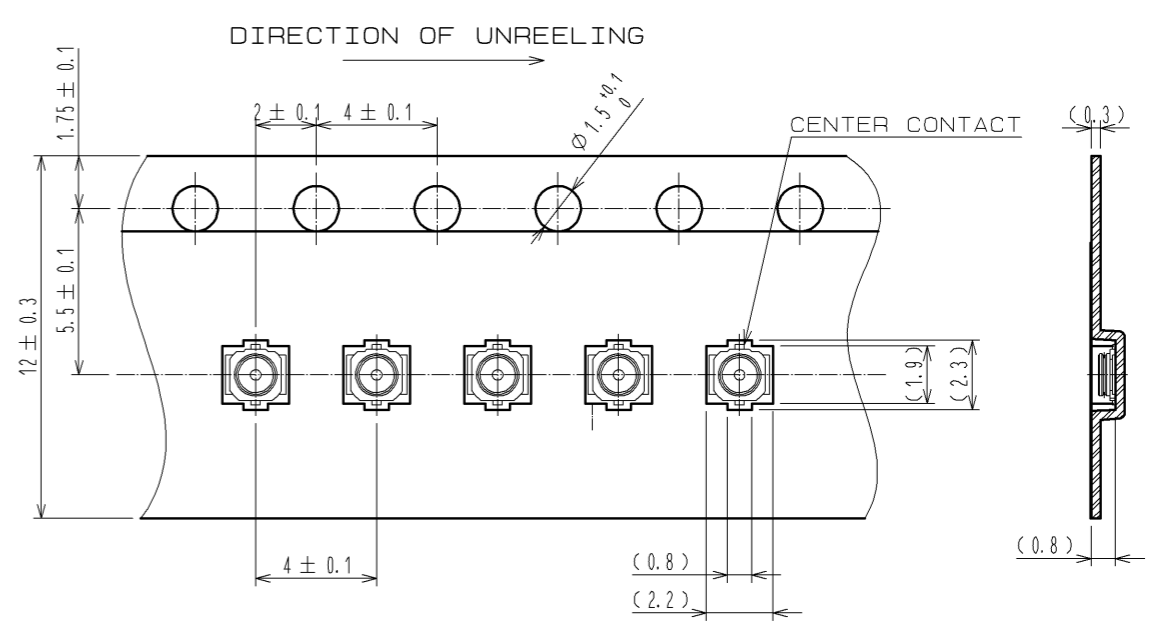
Nov.1.2021 Copyright 2021 HIROSE ELECTRIC CO., LTD. All Rights Reserved.
In case of consideration for using Automotive equipment / device which demand high reliability, kindly contact our sales window correspondents.



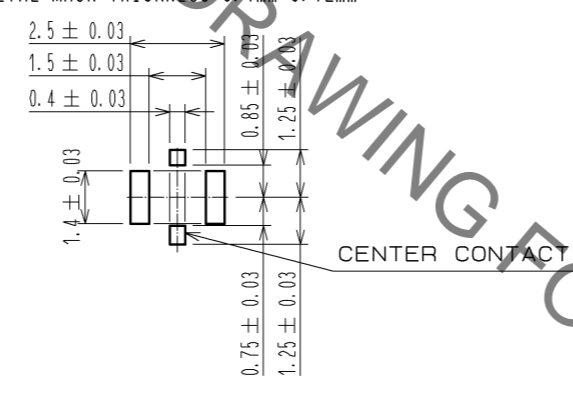
RECOMMENDED PCB LAYOUT (MOUNTING SURFACE SIDE)(5:1)



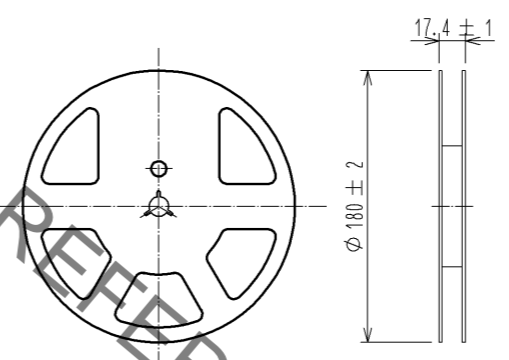
EMBOSSED TAPING DRAWING (4:1)



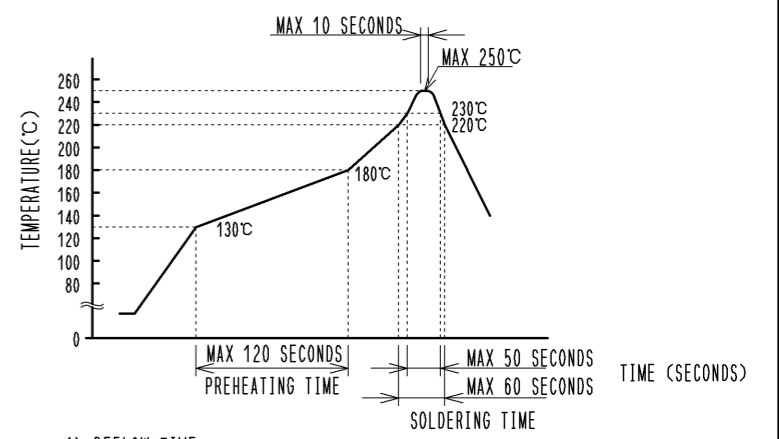
RECOMMENDED METAL MASK DIMENSIONS (5:1)
METAL MASK THICKNESS: 0.1mm/0.12mm



REEL DRAWING (SCALE FREE)



REFLOW TEMPERATURE PROFILE USING LEAD-FREE SOLDER PASTE (REFERENCE)



NOTES:

- 1: THE QUANTITY OF X.FL-R-SMT-1(02) IS 500 CONNECTORS PER REEL.
- 2: THIS DIMENSION SHOWS THE ALLOWABLE RANGE THAT THE RESIN IS PUT OVER THE CENTER CONTACT.
- 3: LEAD CO-PLANARITY SHALL BE 0.08MAX.
- 4: FOR THE POSSIBILITY OF BREAKAGE OR DEFORMATION DO NOT MATE THIS CONNECTOR WITH PARTNER, X.FL-LP-040 BEFORE MOUNTING ON PC BOARD.
- 5: USE ALL PRODUCTS WITHIN 6 MONTHS AFTER THE DELIVERY. STORE THEM IN MANUFACTURER'S PACKAGE OR TIGHTLY RE-CLOSED BOX WITH THE FOLLOWING CONDITIONS. CHECK THE TERMINAL SOLDERABILITY BEFORE USE IF THE PRODUCT HAS BEEN STORED FOR MORE THAN 6 MONTHS.
TEMPERATURE: -10°C TO +40°C
HUMIDITY : 15 TO 85% RH.
- 6: ENVIRONMENTAL CONDITIONS DO NOT USE THE PRODUCTS UNDER THE ENVIRONMENTAL CONDITIONS AS SHOWN BELOW DUE TO POSSIBLE PRODUCT DETERIORATION.
SPECIAL GAS ATMOSPHERE (HYDROGEN SULFIDE GAS, SULFUR SULFIDE GAS AND HYDROGEN CHLORIDE GAS)
PLACE ATTENTION REQUIRED: HEATING SYSTEM, AREA NEAR HOT SPRING, VOLCANIC MOUNTAIN AND ALIKE.
WATER SPLASHED AND CONDENSATION PLACES.
PLACE ATTENTION REQUIRED: HARSH TEMPERATURE CHANGE.

ROHS COMPLIANT

1	PHOSPHOR BRONZE	UNDER PLATING: NICKEL OVER PLATING: SELECTIVE GOLD	3	LCP	(BLACK), UL94V-0
2	BRASS	UNDER PLATING: NICKEL OVER PLATING: SELECTIVE GOLD	2	BRASS	UNDER PLATING: NICKEL OVER PLATING: SELECTIVE GOLD
NO.	MATERIAL	FINISH . REMARKS	NO.	MATERIAL	FINISH . REMARKS
UNITS mm		SCALE 10:1	COUNT 	DESCRIPTION OF REVISIONS	DESIGNED
		APPROVED : KY. SHIMIZU	14.09.18	DRAWING NO.	EDC3-318791-02
HIROSE ELECTRIC CO., LTD.		CHECED : MT. KANEKO	14.09.18	PART NO.	X.FL-R-SMT-1(02)
		DESIGNED : MS. MATSUMOTO	14.09.18	CODE NO.	CL331-0701-8-02
		DRAWN : MS. MATSUMOTO	14.09.18		